

### GTX-15(R) TEST POINTS

SW1 "IN" (OVERDRIVE CHANNEL)  
 INPUT SIGNAL 50mV P-P @ 1KHz  
 GAIN & LEVEL @ "10"; LOW,MID,HIGH @ "5"

| T.P. | AC VOLTAGE | DC VOLTAGE | WAVEFORM |
|------|------------|------------|----------|
| 1    | 50mV p-p   | 0VDC       | ~        |
| 2    | 120mV p-p  | .8mVDC     | ~        |
| 3    | 5.5V p-p   | 1.3mVDC    | ~        |
| 4    | 6.0V p-p   | 1VDC       | ~        |
| 5    | 1V p-p     | 1mVDC      | ~        |
| 6    | 6V p-p     | 1.5mVDC    | ~        |
| 7    | 100mV p-p  | 1.2mVDC    | ~        |
| 8    | .6V p-p    | 14VDC      | ~        |
| 9    | .6V p-p    | -14VDC     | ~        |
| 10   | 200mV p-p  | 13VDC      | ~        |
| 11   | 200mV p-p  | -13VDC     | ~        |
| 12   | 16V p-p    | .9mV p-p   | ~        |

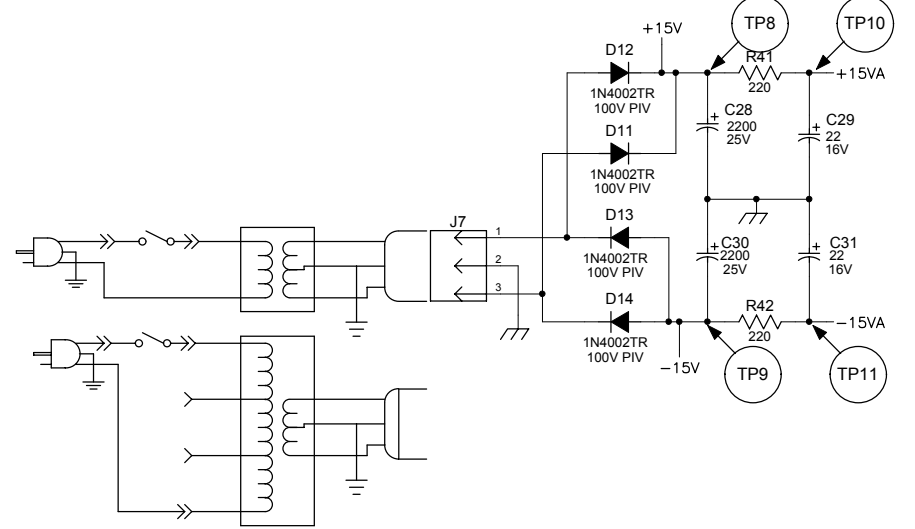
SW1 "OUT" (CLEAN CHANNEL)  
 INPUT SIGNAL 50mV P-P @ 1KHz  
 VOLUME @ "10"; LOW,MID,HIGH @ "5"

| T.P. | AC VOLTAGE | DC VOLTAGE | WAVEFORM |
|------|------------|------------|----------|
| 1    | 50mV p-p   | 0VDC       | ~        |
| 2    | 120mV p-p  | .8mVDC     | ~        |
| 3    | 0V p-p     | 1.3mVDC    | —        |
| 4    | 0V p-p     | .8mVDC     | —        |
| 5    | 800mV p-p  | .6mVDC     | ~        |
| 6    | 400mV p-p  | 1.2mVDC    | ~        |
| 7    | 20mV p-p   | .9mVDC     | ~        |
| 8    | .6V p-p    | 14VDC      | ~        |
| 9    | .6V p-p    | -14VDC     | ~        |
| 10   | 200mV p-p  | 13VDC      | ~        |
| 11   | 200mV p-p  | -13VDC     | ~        |
| 12   | 4V p-p     | .4mV p-p   | ~        |

- 1 NOT USED
- 2 NOT USED ON -02 VERSION

**CAUTION:**  
 THIS SCHEMATIC IS PROVIDED FOR USE BY QUALIFIED PERSONNEL. TO AVOID RISK OF ELECTRIC SHOCK, REFER SERVICING TO QUALIFIED SERVICE PERSONNEL. DO NOT PERFORM ANY SERVICING BEYOND THAT EXPLAINED IN THE OPERATING INSTRUCTIONS.

- NOTES:**
- 1) CAUTION: SHOCK HAZARD!! THIS UNIT CONTAINS HAZARDOUS VOLTAGE. DISCONNECT POWER AND BE SURE POWER SUPPLY IS DISCHARGED BEFORE TOUCHING INTERNAL PARTS.
  - 2) UNLESS NOTED, RESISTOR VALUES IN OHMS, 1/4W-5% TOL. CAPACITOR VALUES IN MICROFARADS, 50V-10% TOL.
  - 3) VOLTAGES ARE MEASURED WITH 1 MEGOHM OSCILLOSCOPE AND 10 MEGOHM DIGITAL VOLTMETER.



| B   | 04/11/03 | ADDED -02 CONFIGURATION | R00980         | WFB             |   |      |
|---|----------|-------------------------|----------------|-----------------|---|------|
| A   | 9-11-02  | INITIAL ISSUE           |                |                 |   |      |
| REV   | Date     | DESCRIPTION             | Ecr(s)/Ecn(s)  | Chgd By         | Appvd by                                    | Date |
| THE INFORMATION CONTAINED ON THIS DRAWING IS PROPRIETARY TO ST. LOUIS MUSIC, INC. |          |                         |                |                 |   |      |
| Signatures:   |          |                         | Date:          |                 | <br>11880 Borman Drive, St. Louis, MO 63146 |      |
| Drawn: RLB  |          |                         | 9-11-02        |                 |   |      |
| Checked:  |          |                         | First Used On: |                 | GTX15a                                      |      |
| Released:   |          |                         |                |                 |   |      |
| Plot Date: Fri Apr 11, 2003   |          | Drawing Size: C         |                | Drawing Title:  |   |      |
| Plot Time: 13:35:50   |          | Drawing Type: Schematic |                | GUITAR AMP      |   |      |
| Tolerance:  |          | Class Code: NONE        |                | Drawing Number: |   |      |
|   |          | Sheet 1 of 1            |                | 07S196-XX       |   |      |