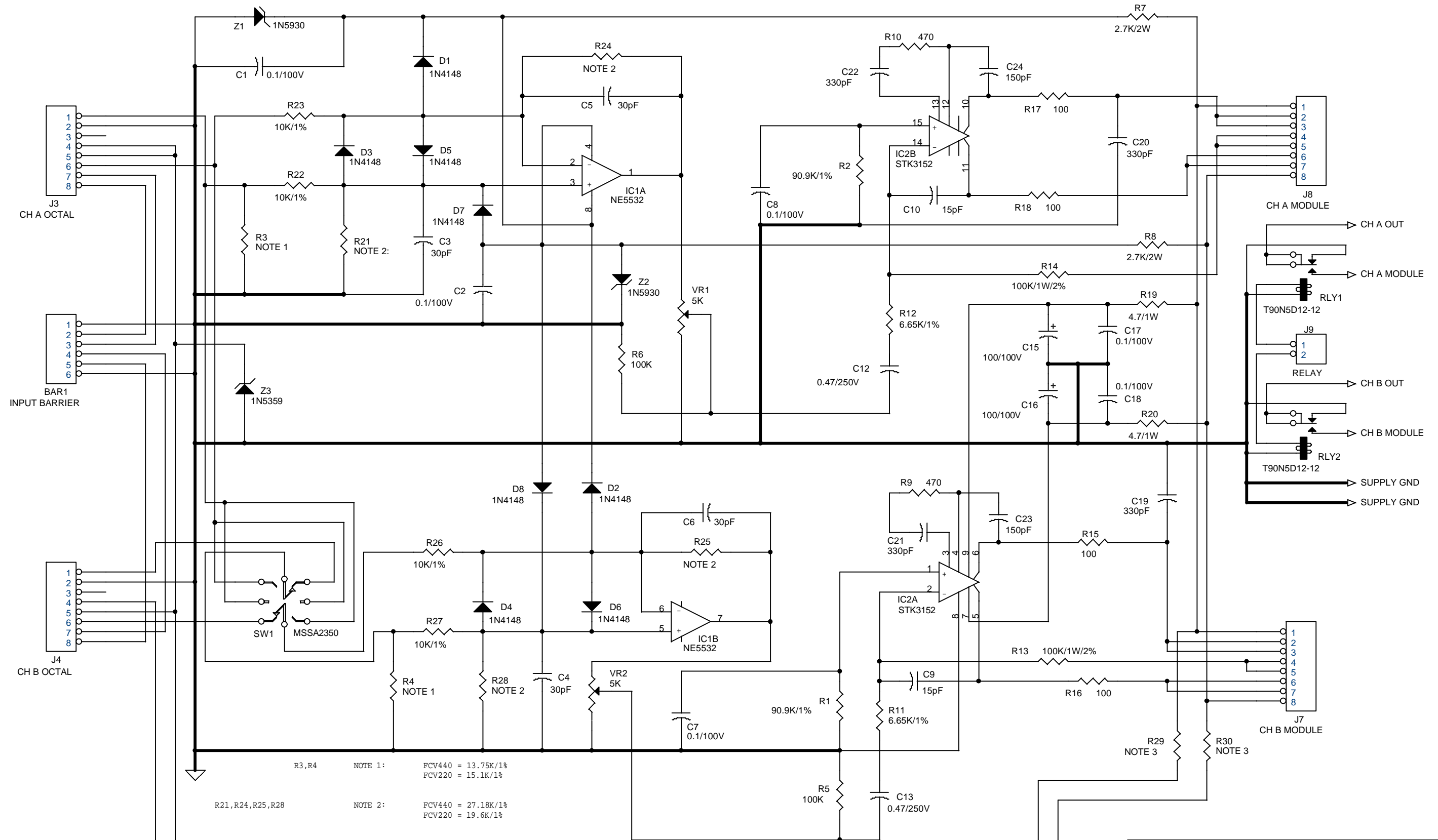




Schematic set

FCV 220 & FCV 440 Series power amplifiers

1. Preamp driver
2. Preamp driver OTA
3. Power supply interconnects
4. Power supply and fan driver
5. Output stage
6. NexSys preamp driver
7. NexSys power supply
8. NexSys output stage



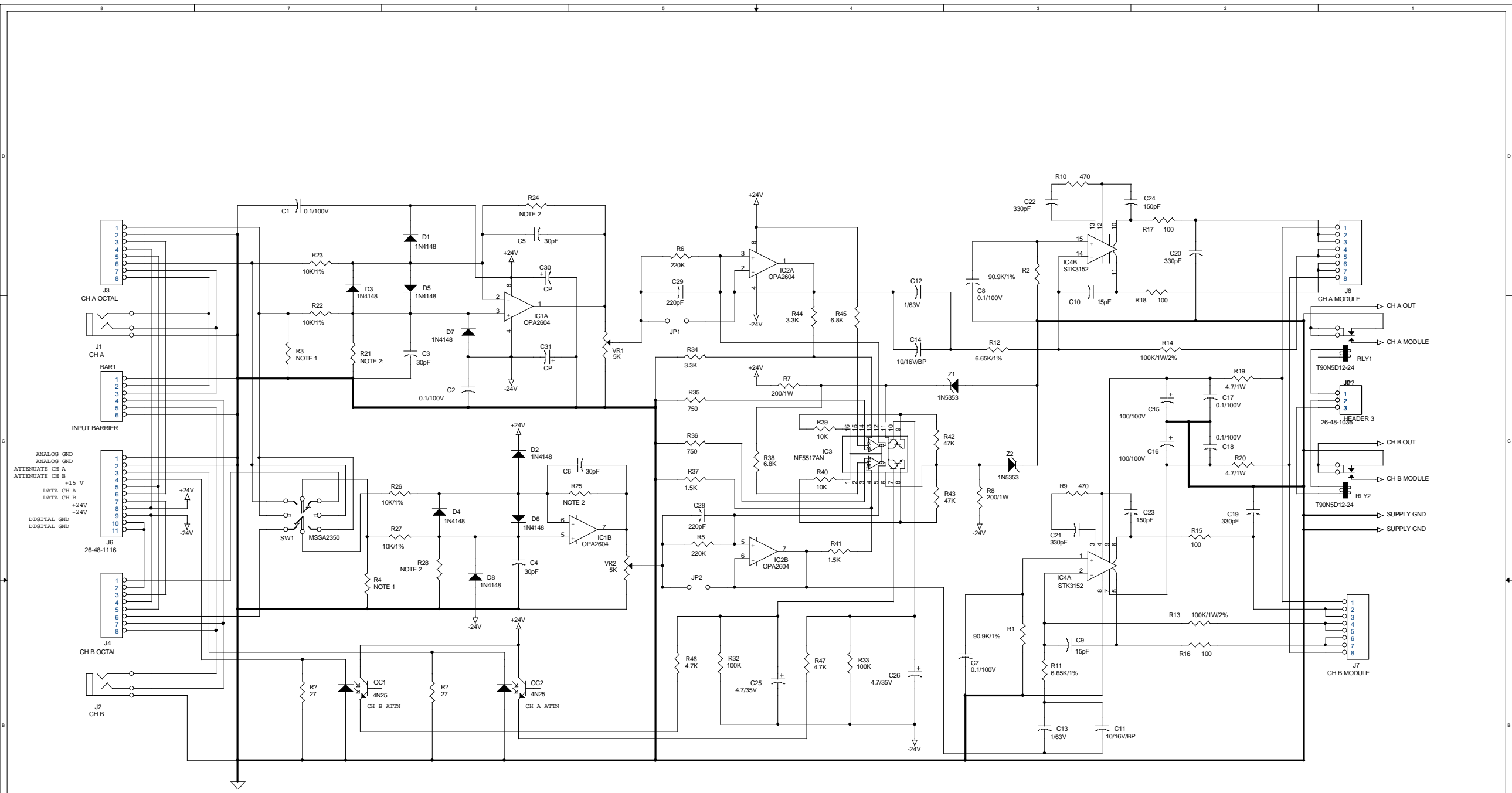
NOTE 1: FCV440 = 13.75K/1%
FCV220 = 15.1K/1%

NOTE 2: FCV440 = 27.18K/1%
FCV220 = 19.6K/1%

NOTE 3: FCV440 = 680/10W
FCV220 = 520/10W

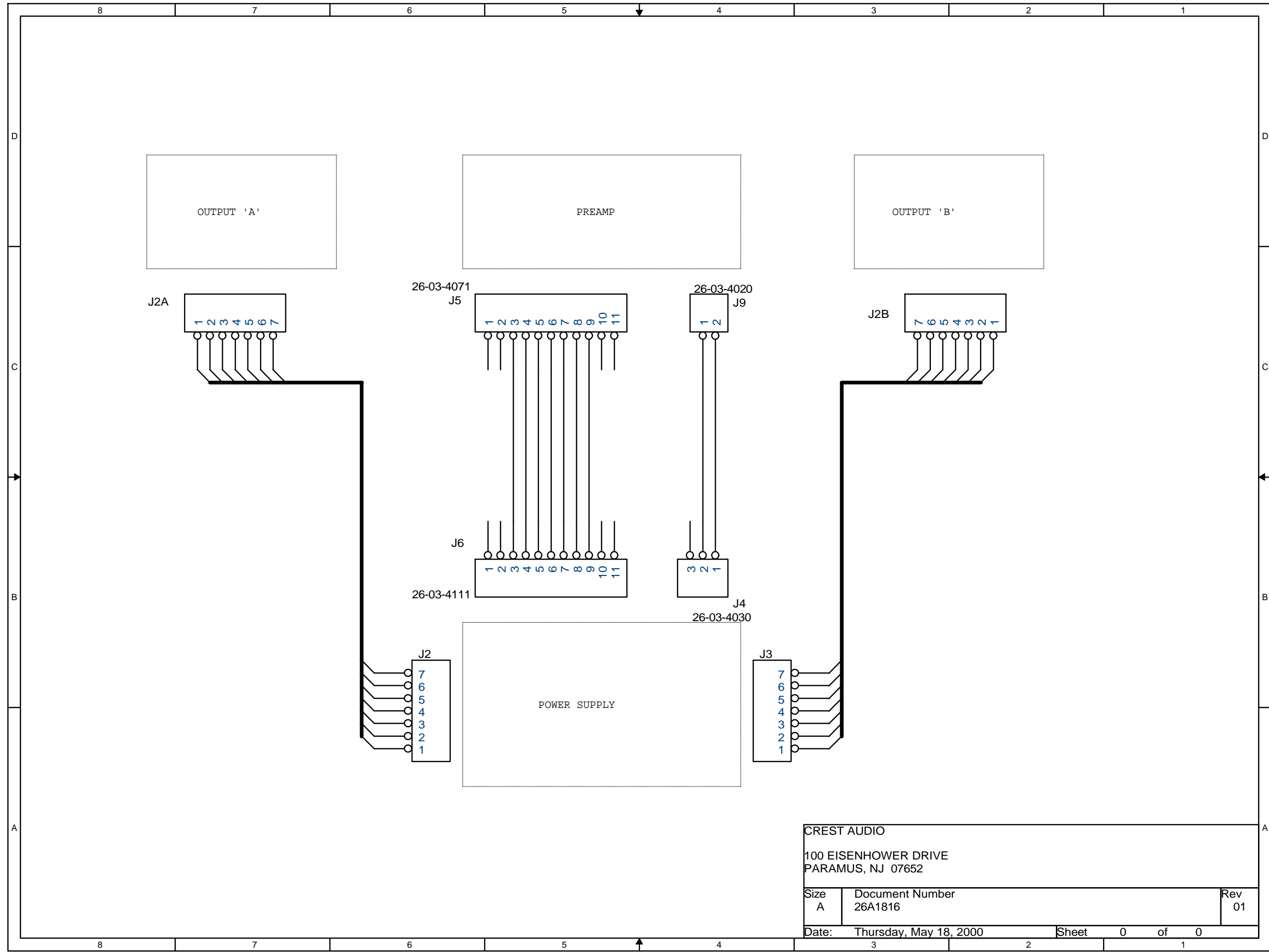
R7, R8 CHANGED FROM 4.7K TO 2.7K ON 4/8/92

CREST AUDIO INC.
 150 Florence Avenue
 Hawthorne, NJ 07506
 Title
 PREAMP/DRIVER FCV220/FCV440
 Size B Document Number 21B1241 Rev
 Date: Thursday, May 18, 2000 Sheet 1 of 1



NOTE 1: FCV440 = 13.75K/1%
 FCV220 = 15.1K/1%

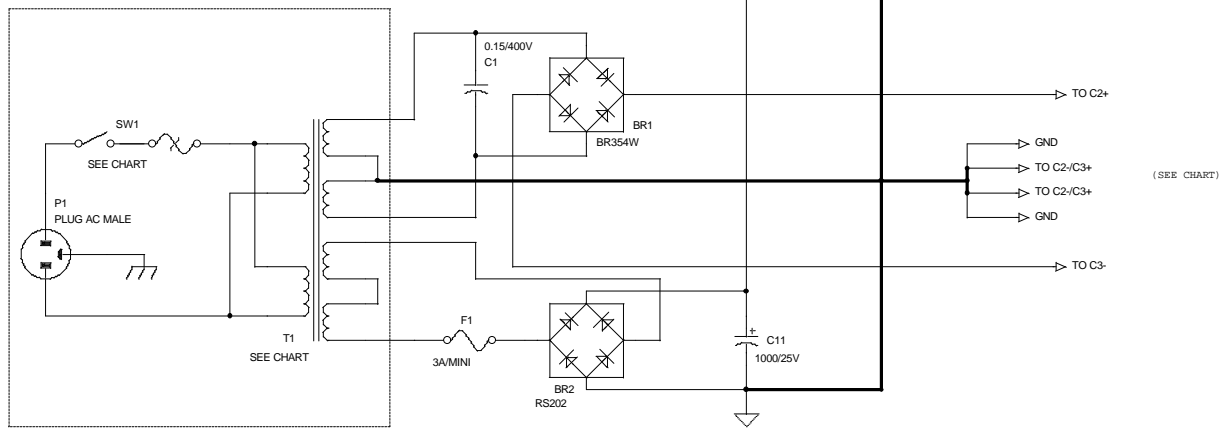
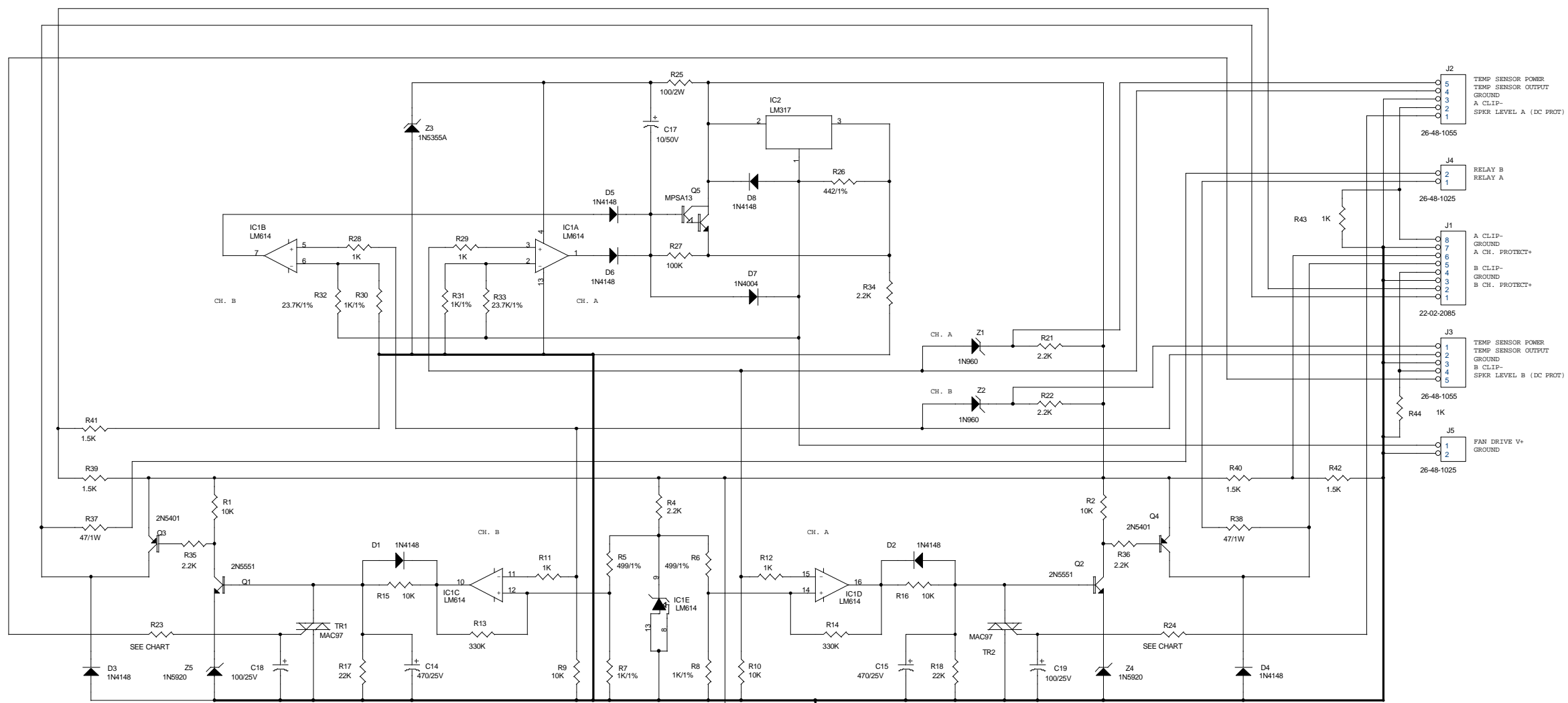
NOTE 2: FCV440 = 27.18K/1%
 FCV220 = 19.6K/1%



CREST AUDIO
 100 EISENHOWER DRIVE
 PARAMUS, NJ 07652

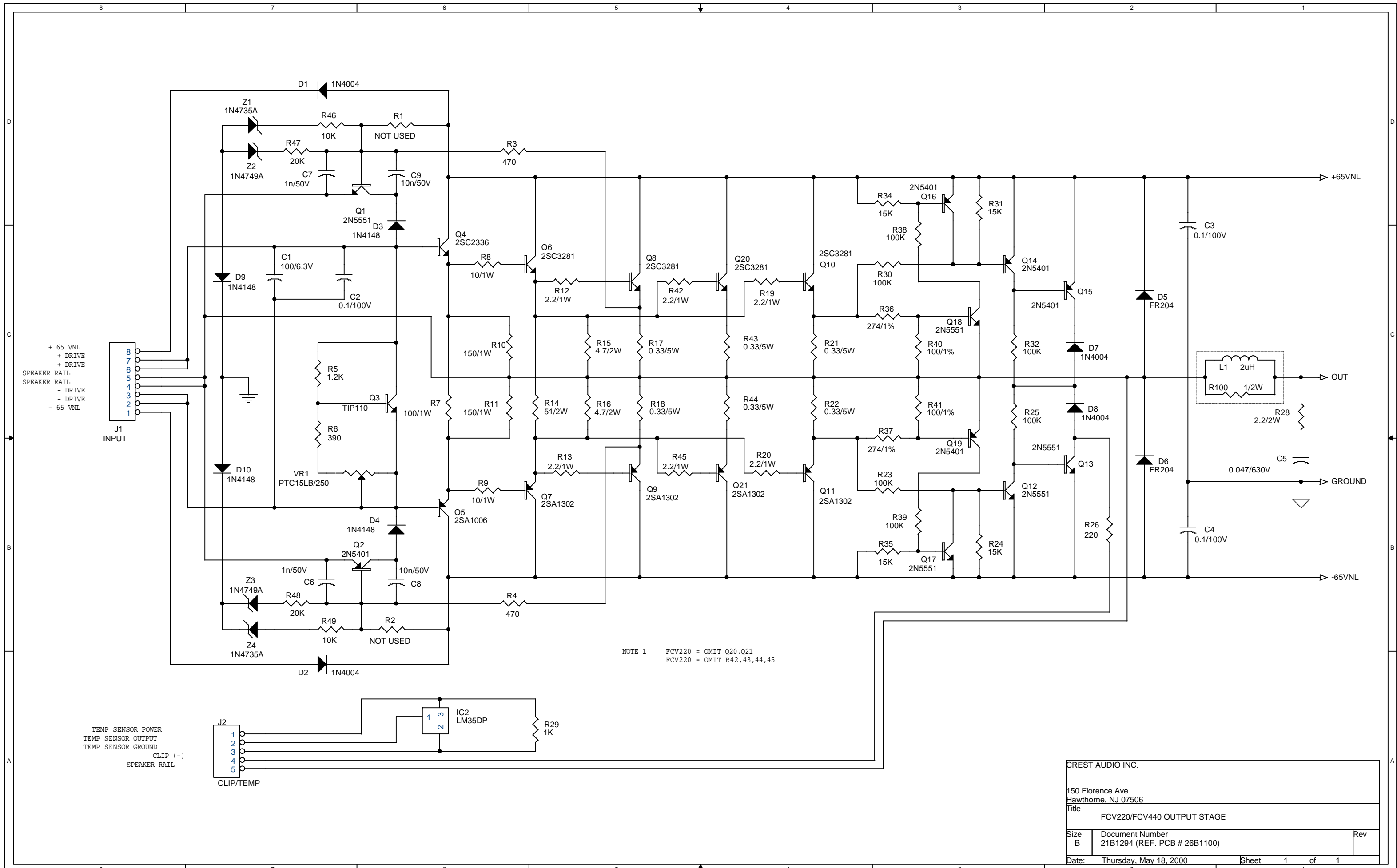
Size A	Document Number 26A1816	Rev 01
-----------	----------------------------	-----------

Date: Thursday, May 18, 2000 Sheet 0 of 0



REF	FCV220	FCV440
R23, R24	1.8K/5W	3.9K/5W
C2, C3	15,000µF/50V	10,000µF/75V
SW1	4.00 AMP	6.00 AMP
T1	CREST #22B1297	CREST #22B1295

CREST AUDIO INC.
 150 Florence Ave.
 Hawthorne, NJ 07506
 File FCV220/FCV440 POWER SUPPLY/FAN DRIVER PCB
 Size C Document Number 21C1230 Rev 01
 Date: Thursday, May 18, 2000 Sheet 1 of 1

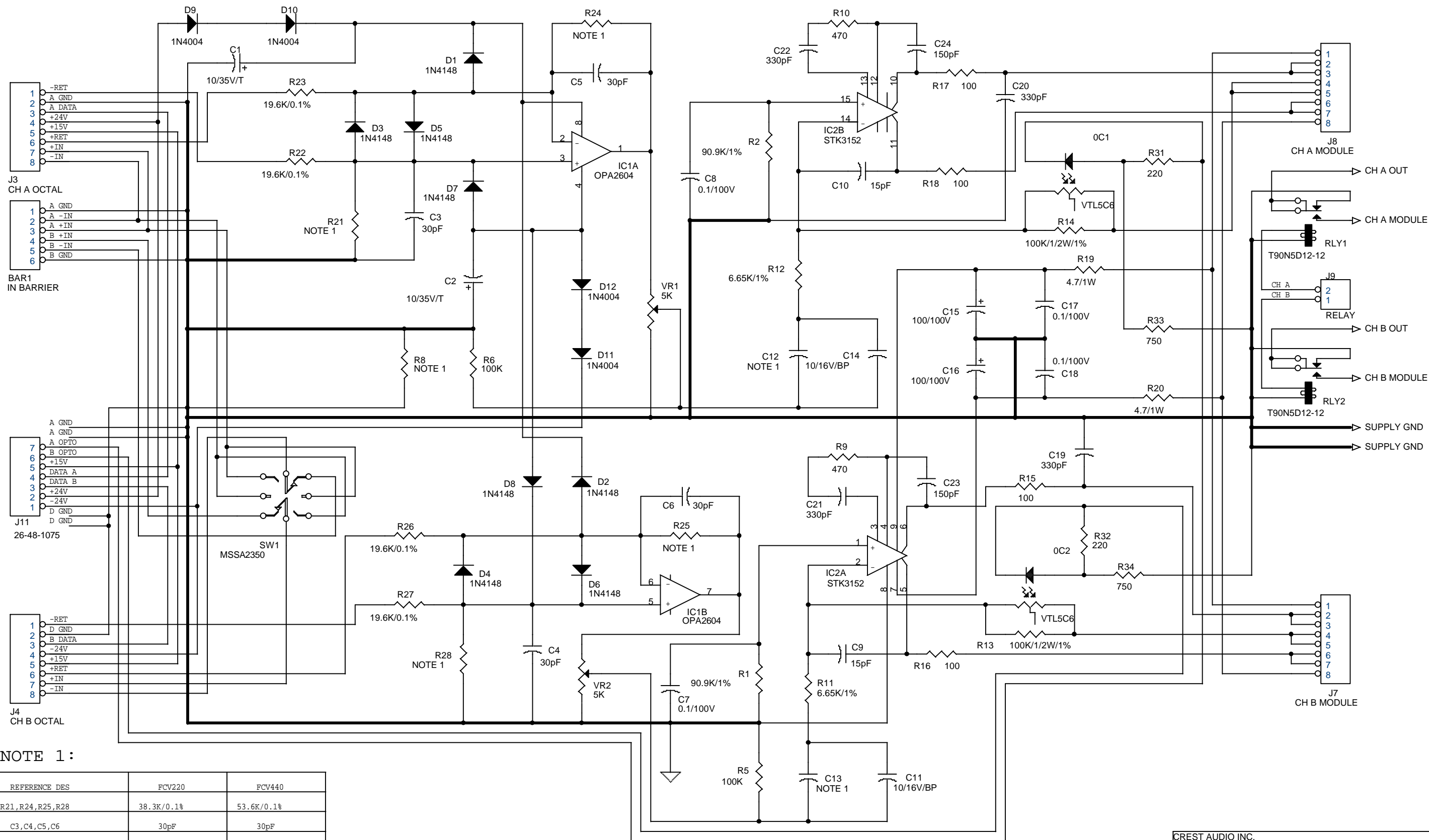


NOTE 1 FCV220 = OMIT Q20, Q21
 FCV220 = OMIT R42, 43, 44, 45

+ 65 VNL
 + DRIVE
 + DRIVE
 SPEAKER RAIL
 SPEAKER RAIL
 - DRIVE
 - DRIVE
 - 65 VNL

TEMP SENSOR POWER
 TEMP SENSOR OUTPUT
 TEMP SENSOR GROUND
 CLIP (-)
 SPEAKER RAIL

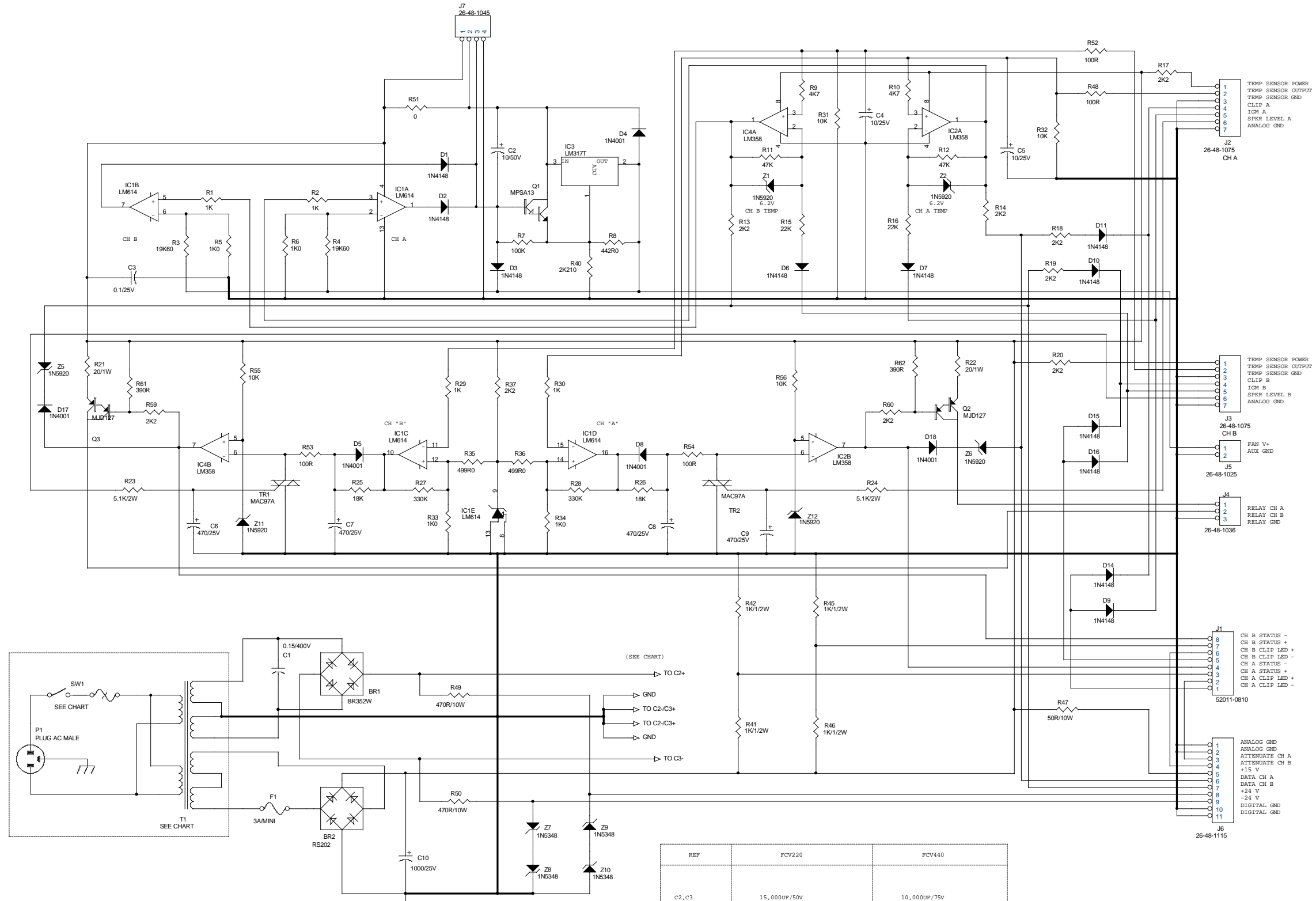
CREST AUDIO INC.		
150 Florence Ave. Hawthorne, NJ 07506		
Title FCV220/FCV440 OUTPUT STAGE		
Size B	Document Number 21B1294 (REF. PCB # 26B1100)	Rev
Date: Thursday, May 18, 2000	Sheet 1	of 1



NOTE 1:

REFERENCE DES	FCV220	FCV440
R21, R24, R25, R28	38.3K/0.1%	53.6K/0.1%
C3, C4, C5, C6	30pF	30pF
R8	2.2/1W	2.2/1W
C12, C13	0.47UF/250V	0.47UF/250V

CREST AUDIO INC.
 100 EISENHOWER DR.
 PARAMUS, NJ 07652
 Title: PREAMP/DRIVER FOR NEXSYS COMPATIBLE FCV
 Size B Document Number 21B1703 Rev 02
 Date: Thursday, May 18, 2000 Sheet 1 of 1



D17, D18 ARE R43, R44 ON 7/29/93 SILKSCREEN

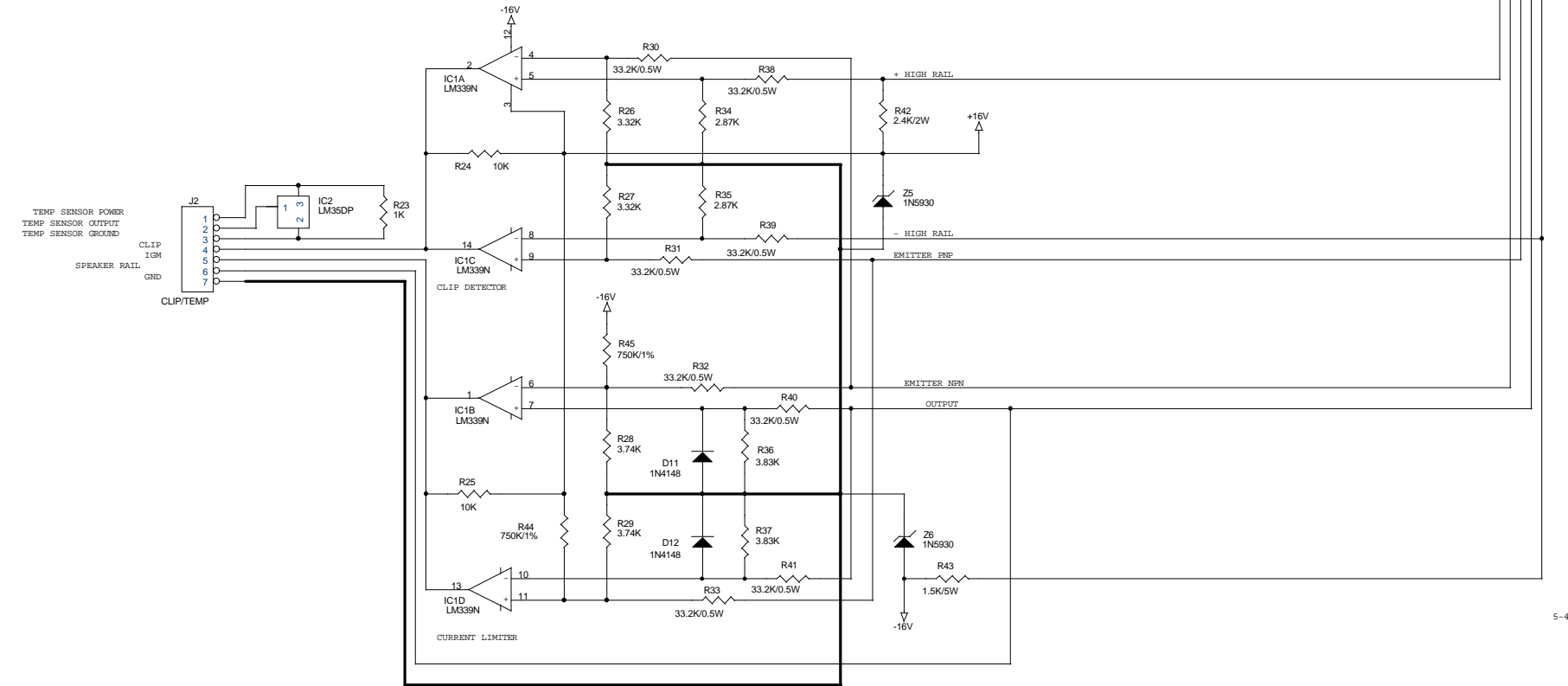
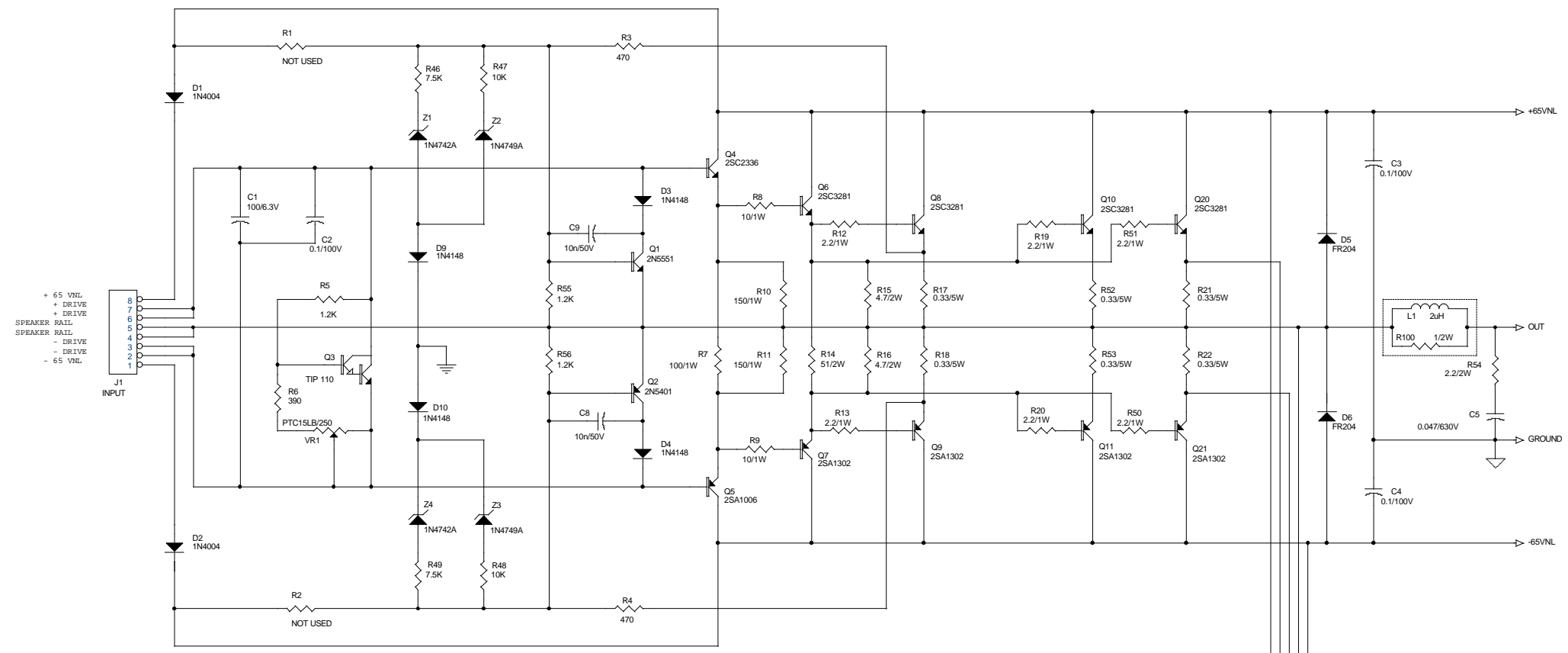
REF	FCV220	FCV440
C2, C3	15,000UF/50V	10,000UF/75V
SW1	4.00 AMP	6.00 AMP
T1	CREST #22B1297	CREST #22B1295

CREST AUDIO
 100 EISENHOWER DRIVE
 PARAMUS, NJ 07652

File: FCVNXS.PWR

Size: C	Document Number: 21C1666	Rev: 02
---------	--------------------------	---------

Date: Thursday, May 18, 2000 Sheet 0 of 0



FCV220 = OMIT Q20, Q21, R50, R51, R52, R53
 3/28/94 CHANGED 33.2K/1W TO 33.2K/0.5W
 5-4-94 CHANGED C6, C7 FROM .001UF/50V TO R55, R56 AT 1.2K.

CREST AUDIO INC.		
100 EISENHOWER DR. PARAMUS, NY		
File FCV220/FCV440 NEXSYS OUTPUT STAGE		
Size C	Document Number	Rev
Date: Thursday, May 18, 2000	Sheet 1 of 1	