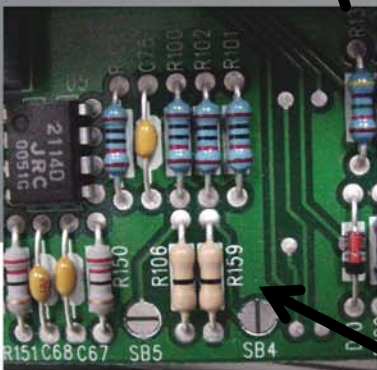


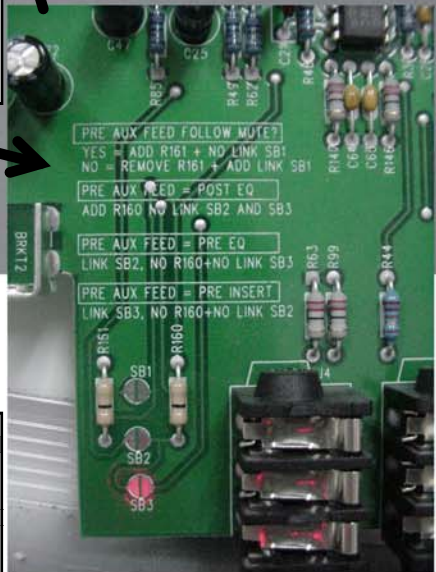
Crest Audio XR-20 mono input module user options 12-18-01

Direct out mod



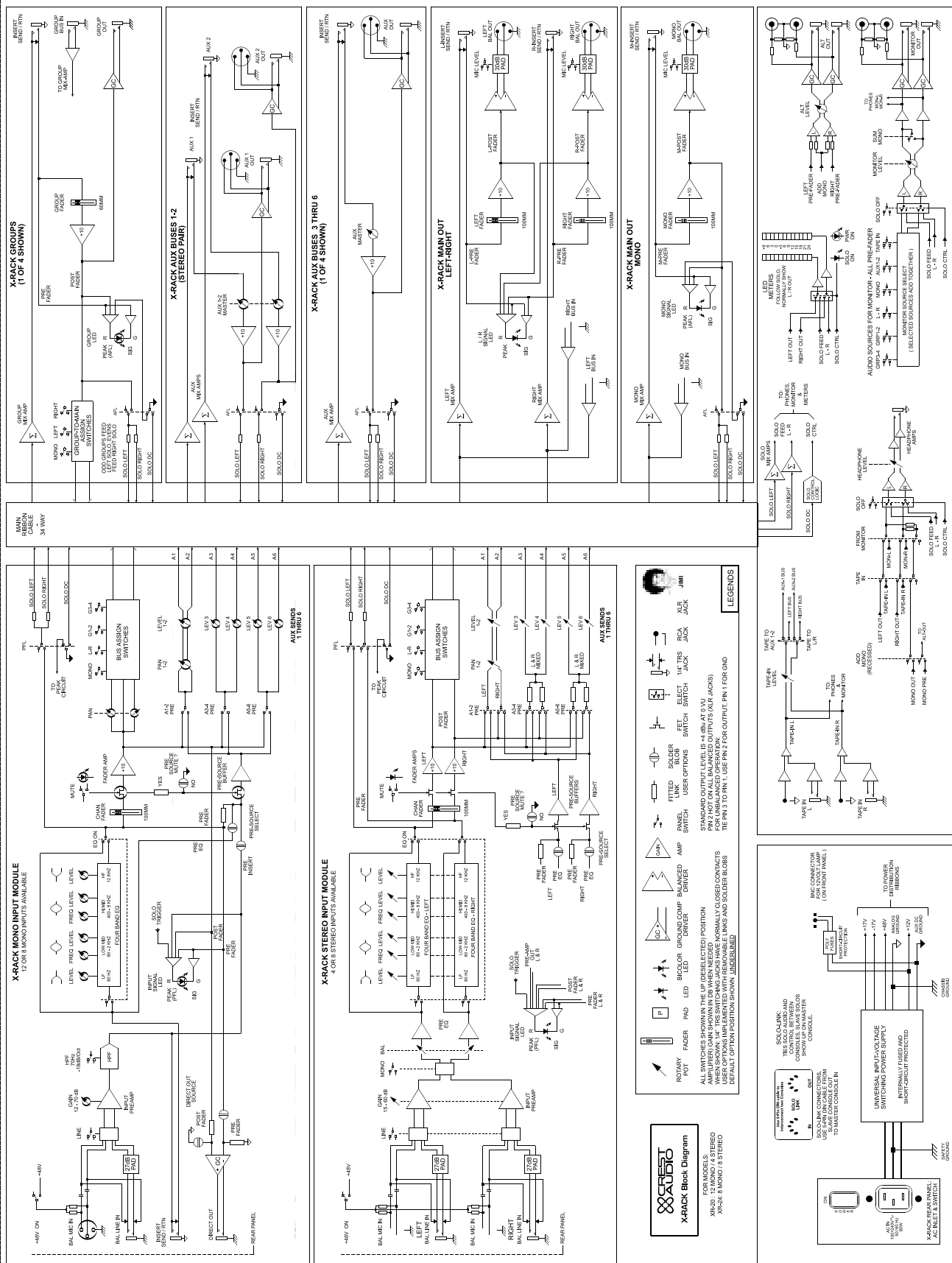
Easy to read instructions located right on the board here....

Aux Pre Signal Mod

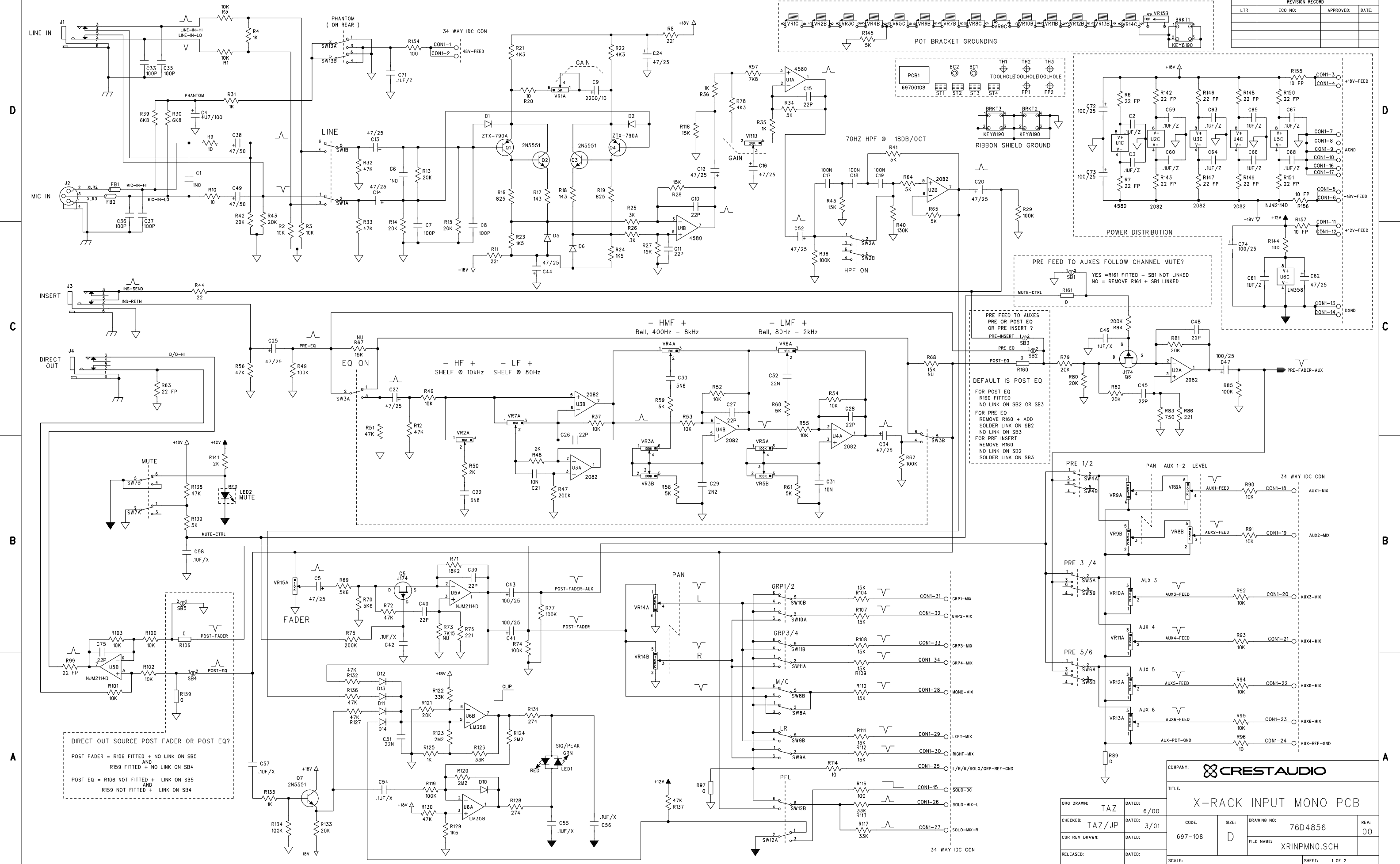


Cut and remove 0 ohm jumpers R159 and R106 on the mono input main PCB. Add solder blobs to SB4 and SB5 to join the 2 solder pad halves. Now your direct out for this channel is Post-EQ and Pre-fader. If you require a easy pre fader/pre EQ dir out it is possible to utilize the insert send and modify your 1/4" connector for this accordingly so as not to interrupt signal flow to the rest of the module (IE: short tip/ring together).

XR-20/24 block diagram



REVISION RECORD			
LTR	ECO NO:	APPROVED:	DATE:



PRE FEED TO AUXES FOLLOW CHANNEL MUTE?
 YES = R161 FITTED + SB1 NOT LINKED
 NO = REMOVE R161 + SB1 LINKED

PRE FEED TO AUXES
 PRE OR POST EQ
 PRE-INSERT
 PRE-EQ
 POST-EQ

DEFAULT IS POST EQ
 FOR POST EQ
 R160 FITTED
 NO LINK ON SB2 OR SB3
 FOR PRE EQ
 REMOVE R160 + ADD
 SOLDER LINK ON SB2
 NO LINK ON SB3
 FOR PRE INSERT
 REMOVE R160
 NO LINK ON SB2
 SOLDER LINK ON SB3

DIRECT OUT SOURCE POST FADER OR POST EQ?
 POST FADER = R106 FITTED + NO LINK ON SB5
 AND
 R159 FITTED + NO LINK ON SB4
 POST EQ = R106 NOT FITTED + LINK ON SB5
 AND
 R159 NOT FITTED + LINK ON SB4

COMPANY: CRESTAUDIO		TITLE: X-RACK INPUT MONO PCB	
ORG DRAWN: TAZ	DATE: 6/00	CODE: 697-108	SIZE: D
CHECKED: TAZ/JP	DATE: 3/01	DRAWING NO: 76D4856	REV: 00
CUR REV DRAWN:	DATE:	FILE NAME: XRINPMNO.SCH	SCALE:
RELEASED:	DATE:	SHEET: 1 OF 2	