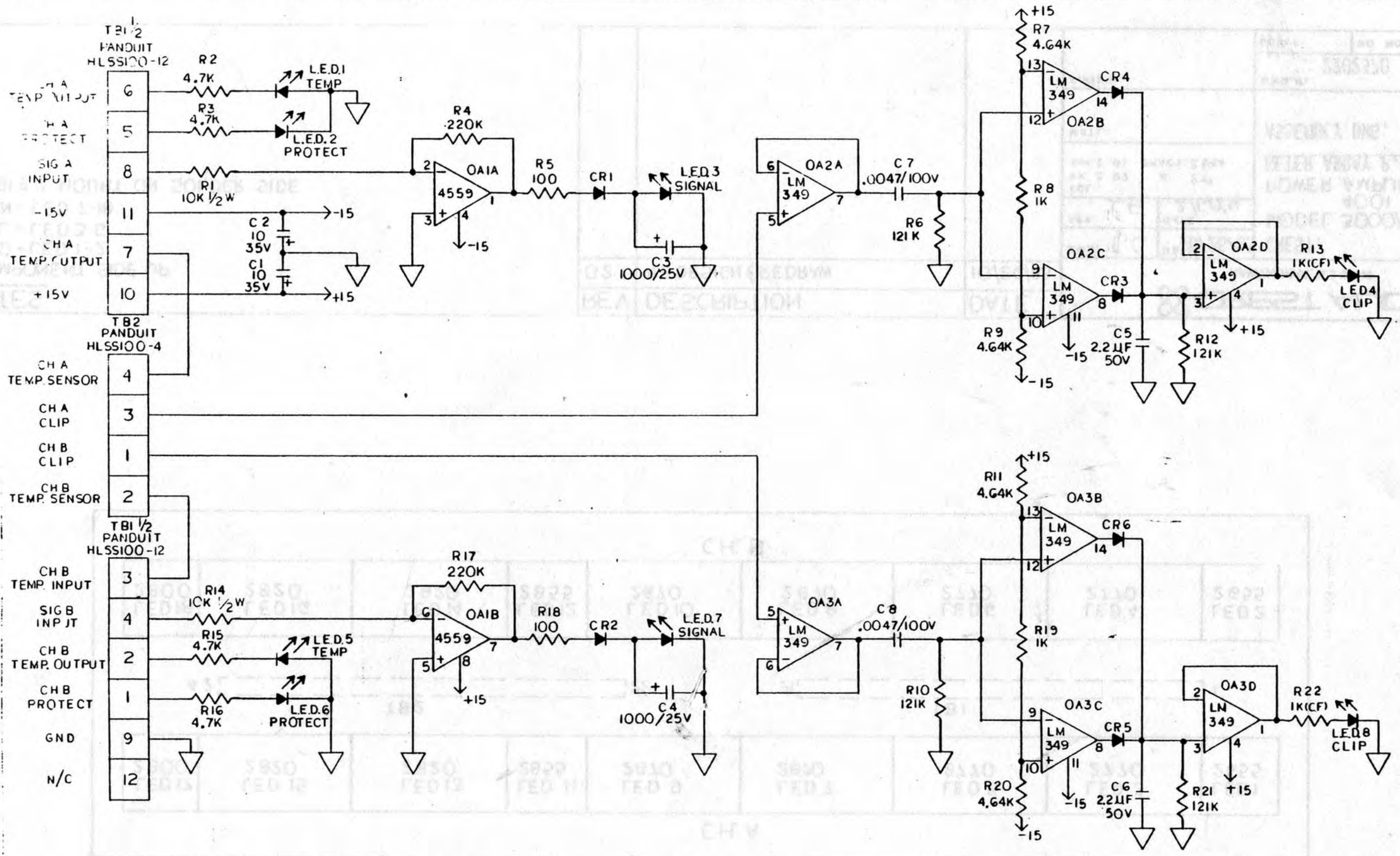
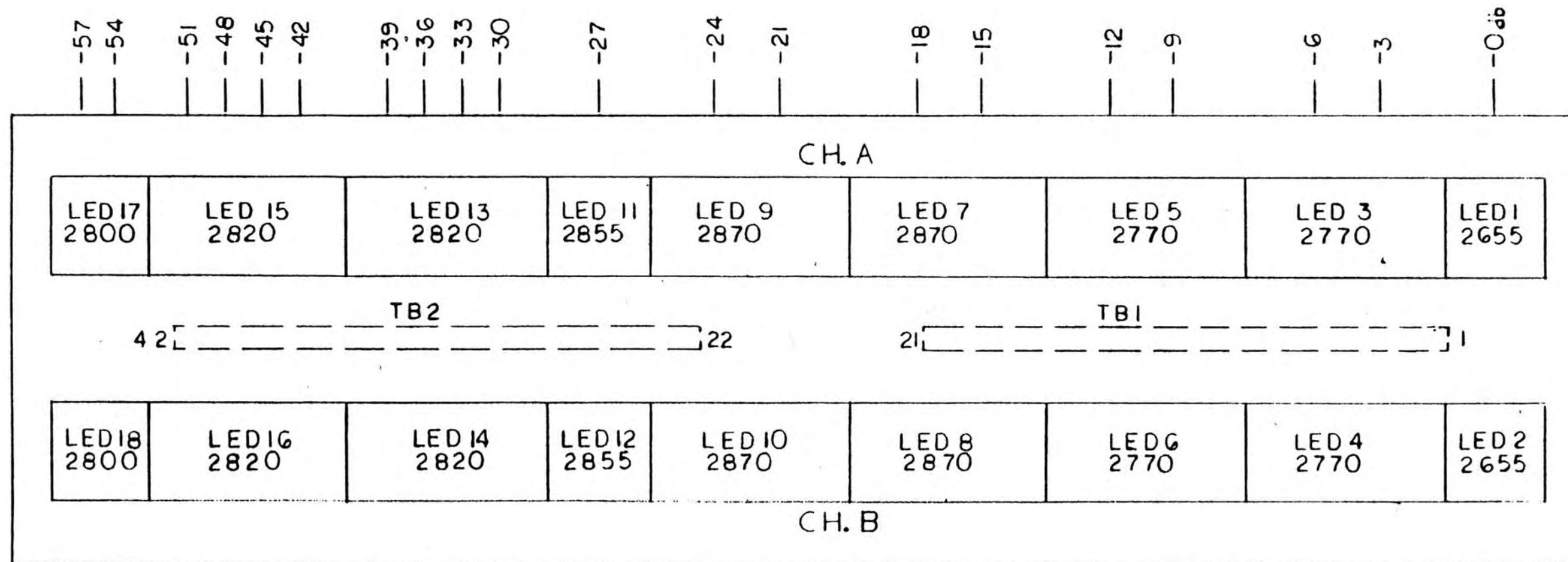


COMP. NOT INSTALLED BY OUTSIDE VENDOR	LAST REF. DES.		NOTES	REV.	DESCRIPTION	DATE
	USED	NOT USED				
			1. J = JUMPER			
			2. FAN SENSOR LOCATED ON HEATSINK MODULE			
			3. SEE INSET FOR 100V TBI/TI CONNECTIONS 110V AND 120V XFMR TAB A = 120V B = 110V			
			4. UNUSED XFMR TAB PER WINDING GOES TO TBI PINS 1 & 5			
			5. MODELS 3000/3001 C1,C2,C3,C4 15000 80V MODELS 4000/4001 C1,C2,C3,C4 20000 90V			
	C6					
	CB1					
	CR2					
	R1					
	SI					
	T1					
	TB3					

CREST AUDIO HAWTHORNE, N.J. 07506	
DWN: E.H.	DATE: 9/24/85
APP: J.E.	DATE: 11/18/85
TOL: ± 0.2	± 1°
± 0.01	FRACT. 1/64
MATL:	
FINISH:	
DWG NO: 2103796	REV:
SCALE — DO NOT SCALE DRAWING	



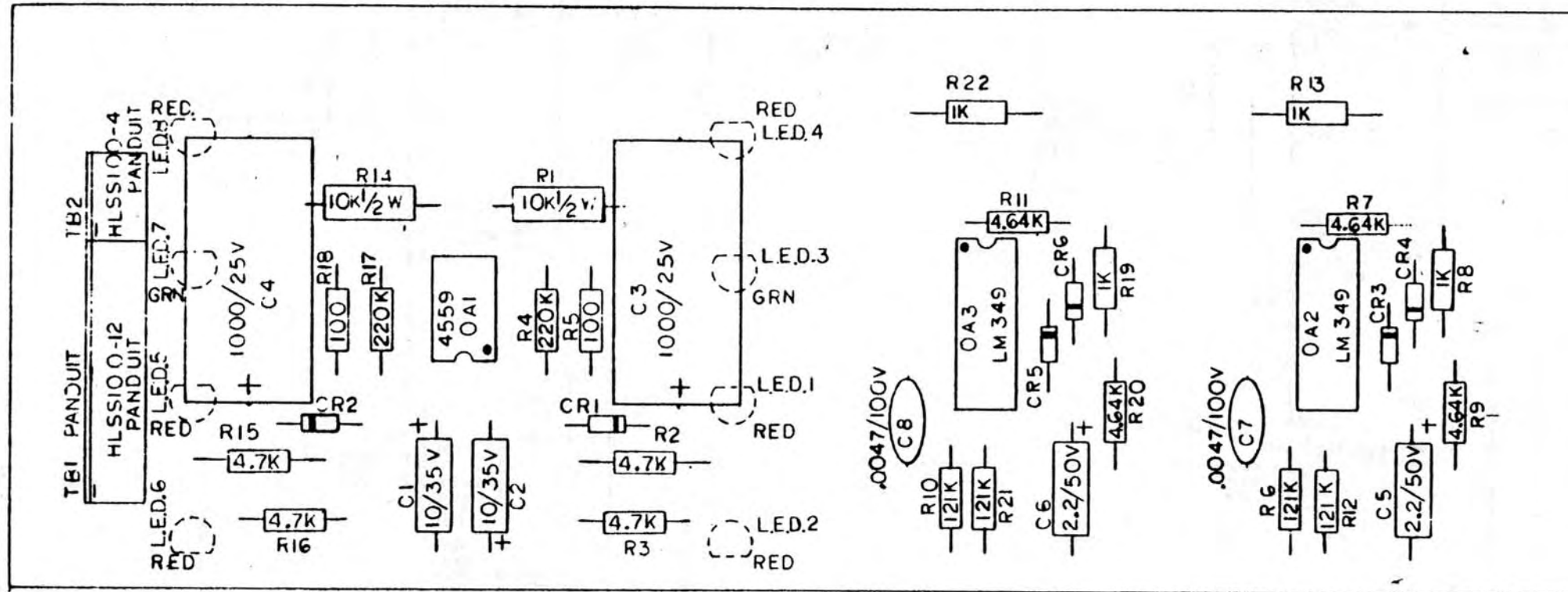
COMP. NOT INSTALLED BY OUTSIDE VENDOR	LAST REF DES		NOTES	REV	DESCRIPTION	DATE	DALLAS MUSIC INDUSTRIES HAWTHORNE, N.J. 07508		
	USED	NOT USED							
	C8		1) ALL RESISTORS 1/4W, UNLESS OTHERWISE SPECIFIED 2) ALL DIODES IN4148, UNLESS OTHERWISE SPECIFIED 3) ALL CAPACITOR ELECTROLYTIC, UNLESS OTHERWISE SPECIFIED 4) REV=1, 2, 3. SEE DWG#2104644 (OBSOLETE FILE)	04	REDESIGN P.C.B. & REDRAW DWG.	12/13/83	DWN:	DATE:	CREST. MODELS: 3001/4001 SERIES POWER AMPLIFIERS L.E.D. P.C.B. SCHEMATIC DWG. DWG No.: 2103644 SCALE: --- DO NOT SCALE DRAWING
	CR6			05	REVERSE POLARITY LED 2, 6. CHG R2, 3, 15, 16-820Ω 1/2W TO 4.7K, 1/4W	4/24/84	APP:	DATE:	
	LED8						TOL:	DATE:	
	OA3						REV:	DATE:	
	R22						MATL:		
	TB2						FINISH:		



NOTES

- 1) COMPONENT SIDE UP
- 2) RED = LED 1-2
YEL = LED 3-6
GRN = LED 7-18
- 3) TBI & 2 MOUNT ON SOLDER SIDE

REV	DESCRIPTION	DATE	CREST AUDIO <small>HAWTHORNE, N.J. 07506</small>	
02	REDESIGN & REDRAW	10/26/83	DWN: E.C.	DATE: 10/26/83
			APP: I.F.	DATE: 2/6/84
			TOL: XX: ±.02 Z: ±1° XXX: ±.01 FRACT: ±1/64	
			MATL:	
			FINISH:	
			CREST: MODEL 3000/3001/4000 4001 POWER AMPLIFIERS METER ARRAY P.C.B. ASSEMBLY DWG.	
			DWG Nr.: 2202370	
			REV: 02	
			SCALE: DO NOT SCALE DRAWING	



COMP. NOT INSTALLED BY
OUTSIDE VENDOR

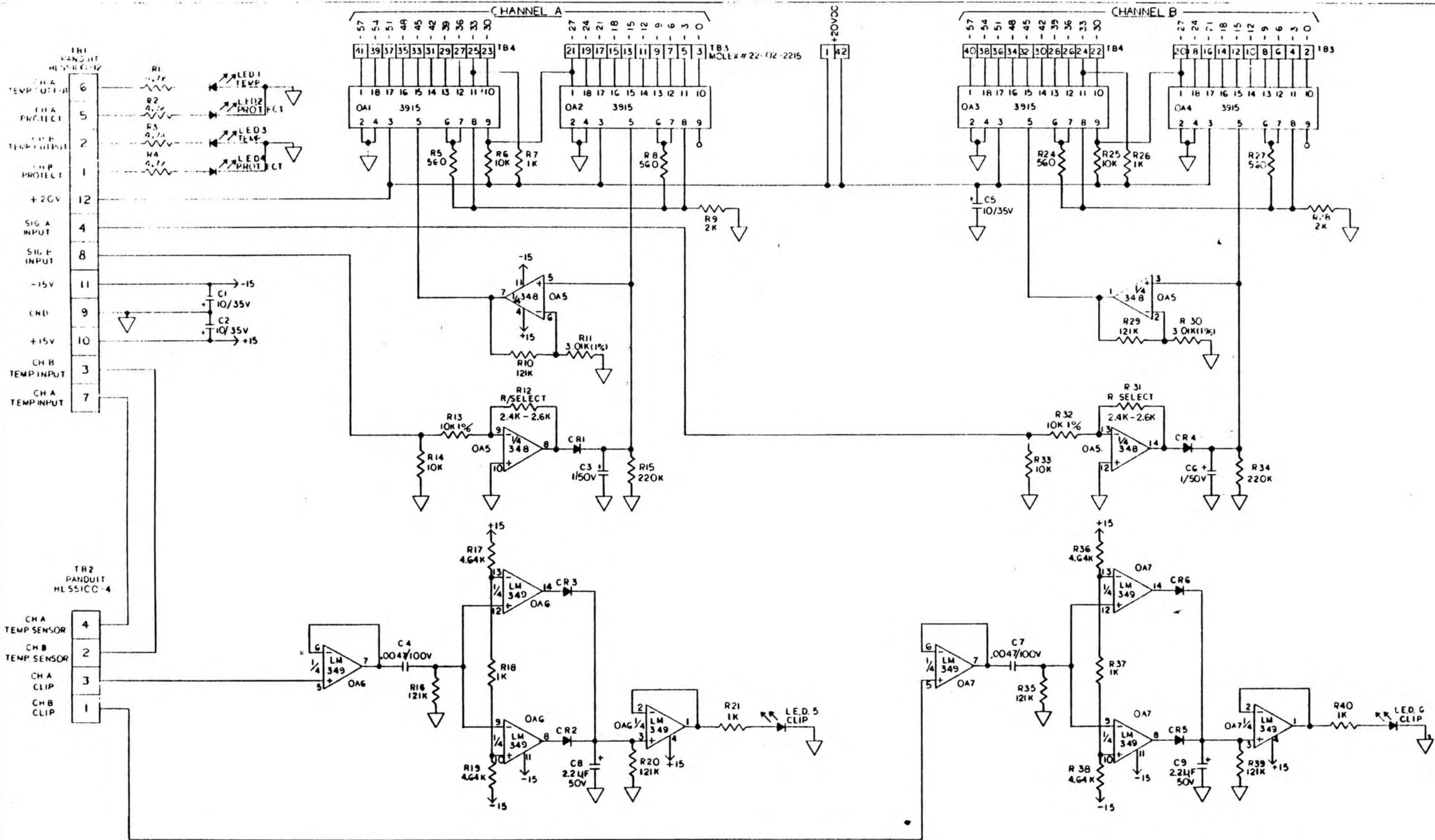
LAST REF DES	
USED	NOT USED
C8	
CR 6	CR3 CR5 <input checked="" type="checkbox"/>
LED 9	
OA 3	
R22	R6, 8, 9, 21, 22 <input checked="" type="checkbox"/>
T B2	

NOTES =

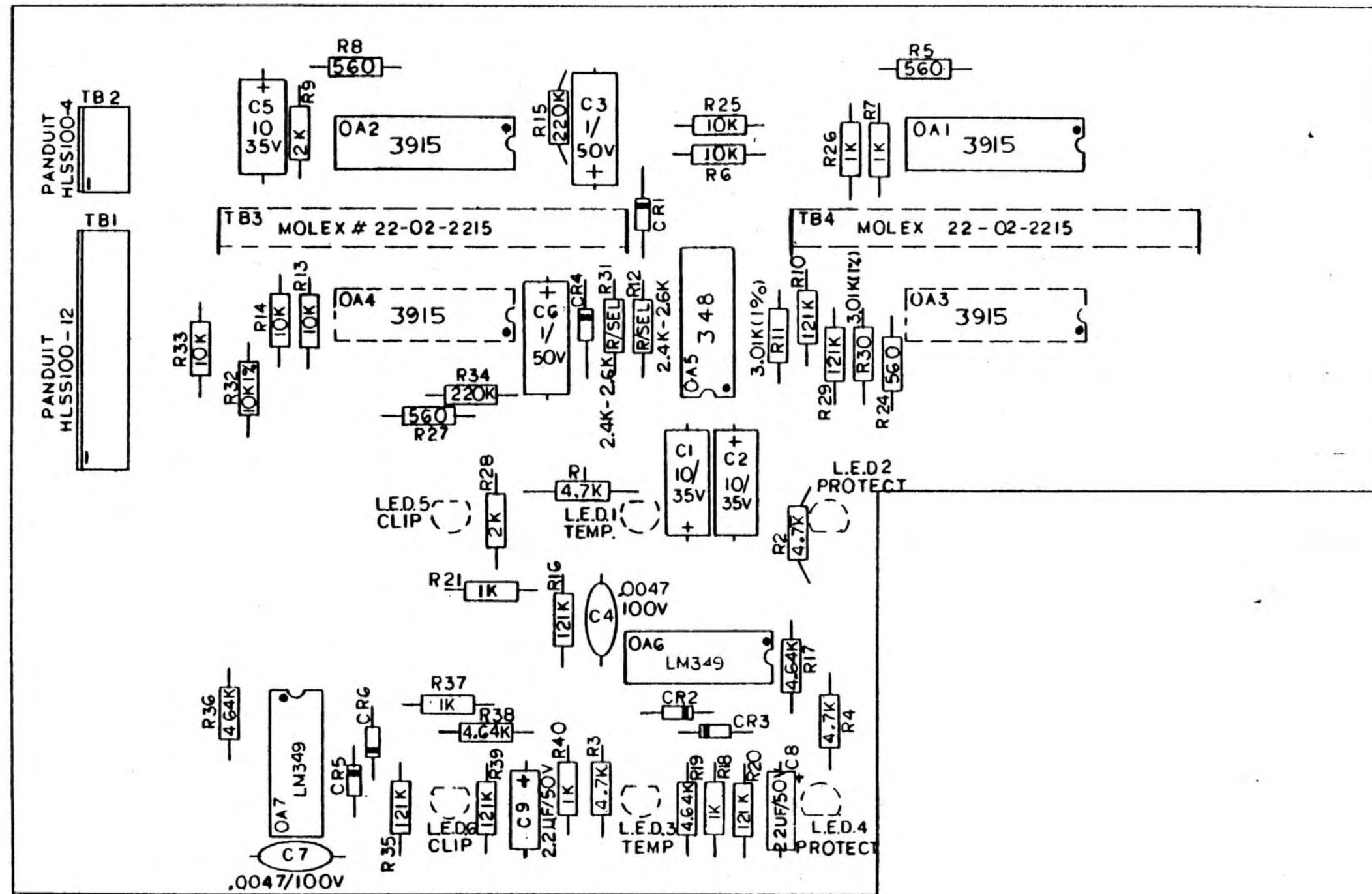
- 1) ALL RESISTORS 1/4W, UNLESS OTHERWISE SPECIFIED
- 2) ALL DIODES 4148, UNLESS OTHERWISE SPECIFIED
- 3) ALL CAPACITORS ELECTROLYTIC, UNLESS OTHERWISE SPECIFIED

REV	DESCRIPTION	DATE
01	R1-R14 FROM 1/4W TO 1/2W	10-26-83
02	SEE NOT USED . ADD C7, C8, R10, R23 FROM D.I.T. TO 300 R7 R20 FROM D.I.T. TO 121K	11/30/83
03	R1, R13, R14, R26 FROM 820 1/2 W TO 1K 1W (C.F.) — R17, R4 FROM 242K TO 220K	12/6/83
04	REDESIGN P.C.B.	12/13/83
05	REVERSE POLARITY LED2, 6	4/24/84

DALLAS MUSIC INDUSTRIES HAWTHORNE, N.J. 07508			
OWN: E.C.	DATE: 7/29/83	CREST:	
APP: I.F.	DATE: 2/2/84	MODELS: 3001/4001 SERIES POWER AMPLIFIERS	
TOL: ±.02	±.1°	L.E.D. P.C.	
RES: ±.01	FRACT: ±1/64	ASSEMBLY	
MATL:		DWG. NO.	REV



COMP. NOT INSTALLED BY OUTSIDE VENDOR		LAST REF DES		NOTES:	REV	DESCRIPTION	DATE	DALLAS MUSIC INDUSTRIES NORTHWIND, N.J. 07061	
USED	NOT USED	USED	NOT USED					E.C.	*REV/31/83
				1) ALL RESISTORS 1/4 W UNLESS OTHERWISE SPECIFIED 2) ALL DIODES IN 4148 UNLESS OTHERWISE SPECIFIED 3) ALL 10K RESISTOR 1% UNLESS OTHERWISE SPECIFIED 4) REV 1, 2, SEE DWG. 2104645-02 (OBSOLETE FILE)	01	SEE NOT USED. ADD C8, C9, R36, R17 FROM D.I.T. TO 300 R39, R20 FROM D.I.T. TO 121K R1, R2, R3, R4, R25, R42 FROM 820 1/2 W TO 1/4 W (C.F.) R22, R41 FROM 43K TO 121K	11/30/83	*** E.C. ***	MODELS: 4000/3000 SERIES POWER AMPLIFIERS
					02	REDESIGN P.C.B.	12/6/83	*** E.C. ***	MINI INTER P.C.B.
					03	REVERSE POLARITY LED 2, 4 R1, 2, 3, 4 - 1K TO 4.7K	12/29/83	*** E.C. ***	SCHEMATIC DWG
					04		4/24/84	*** E.C. ***	SCALE: DO NOT SCALE DRAWING



COMP. NOT INSTALLED BY
OUTSIDE VENDOR

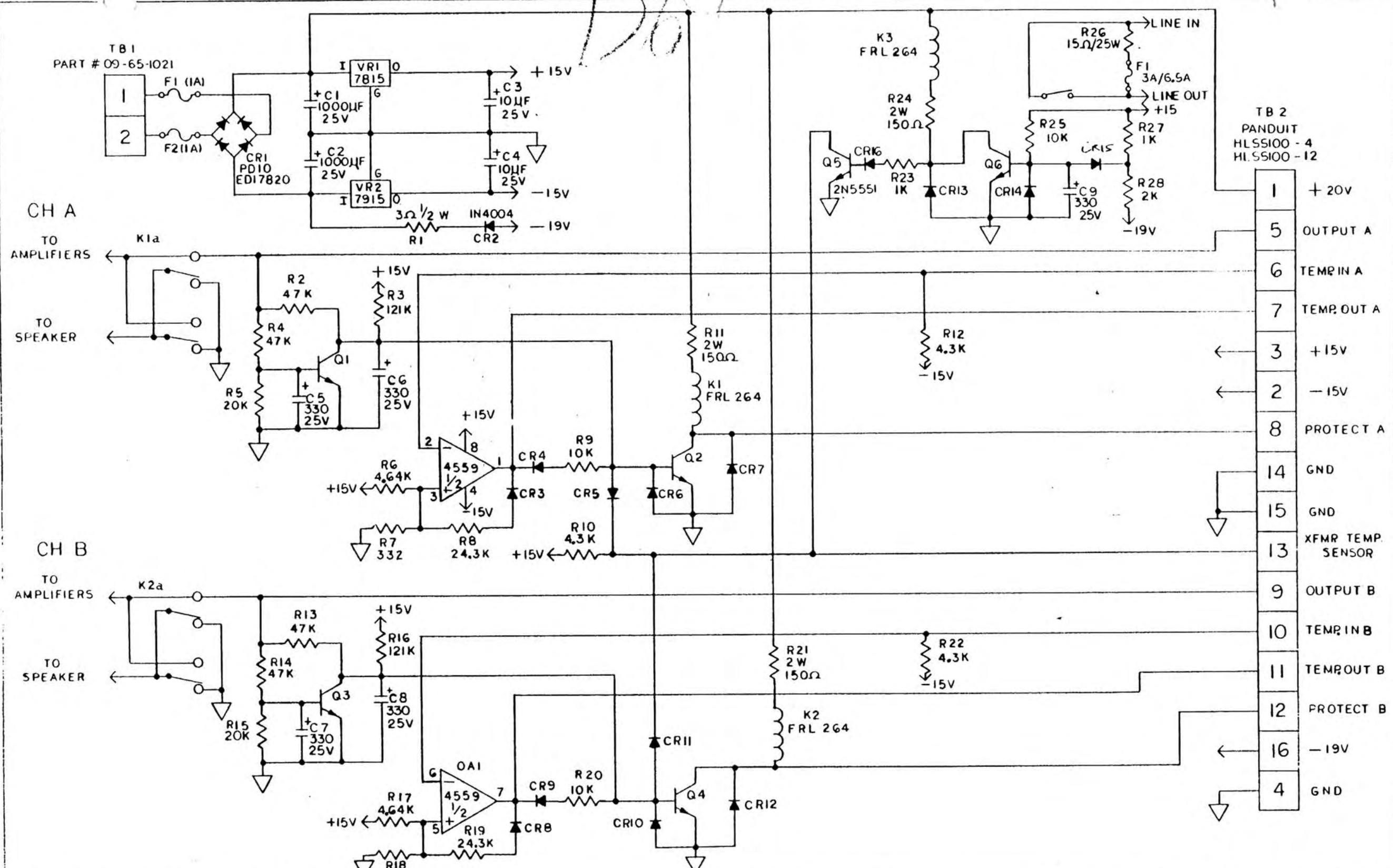
LAST REF DES	
USED	NOT USED
C9	
CR6	
OA7	
L.E.D.6	
R40	R22, R23
TB4	

NOTES
 1) ALL RESISTORS 1/4 W UNLESS OTHERWISE SPECIFIED
 2) ALL DIODES IN 4148 UNLESS OTHERWISE SPECIFIED
 3) ALL 10K RESISTORS 1% UNLESS OTHERWISE SPECIFIED
 4) REV 1, 2 SEE DWG 2204645-02 (OBSOLETE FILE)

REV	DESCRIPTION	DATE
03	REDESIGN P.C.B. & REDRAW DWG	12/28/83
04	REVERSE POLARITY LED 2, 4 R1, 2, 3, 4 - 1K TO 4.7K	4/24/84

DALLAS MUSIC INDUSTRIES
HAWTHORNE, N.J. 07506

DWN: E.C	DATE: 12/28/83	CREST: MODELS: 4000/3000 SERIES POWER AMPLIFIERS MAIN METER P.C.B. ASSEMBLY
APP: I.F.	DATE: 2/2/84	
TOL: ± 1.02 ± 1° ± 2.01 FRACT ± 1/64		
MATERIAL:		
FINISH:	DWG NO: 2203645	REV: 04



COMP NOT INSTALLED BY
OUTSIDE VENDOR

LAST REF. DES	
USED	NOT USED
C9	
CR1G	
K3	
OA1	
Q6	
R28	
TB2	

NOTES

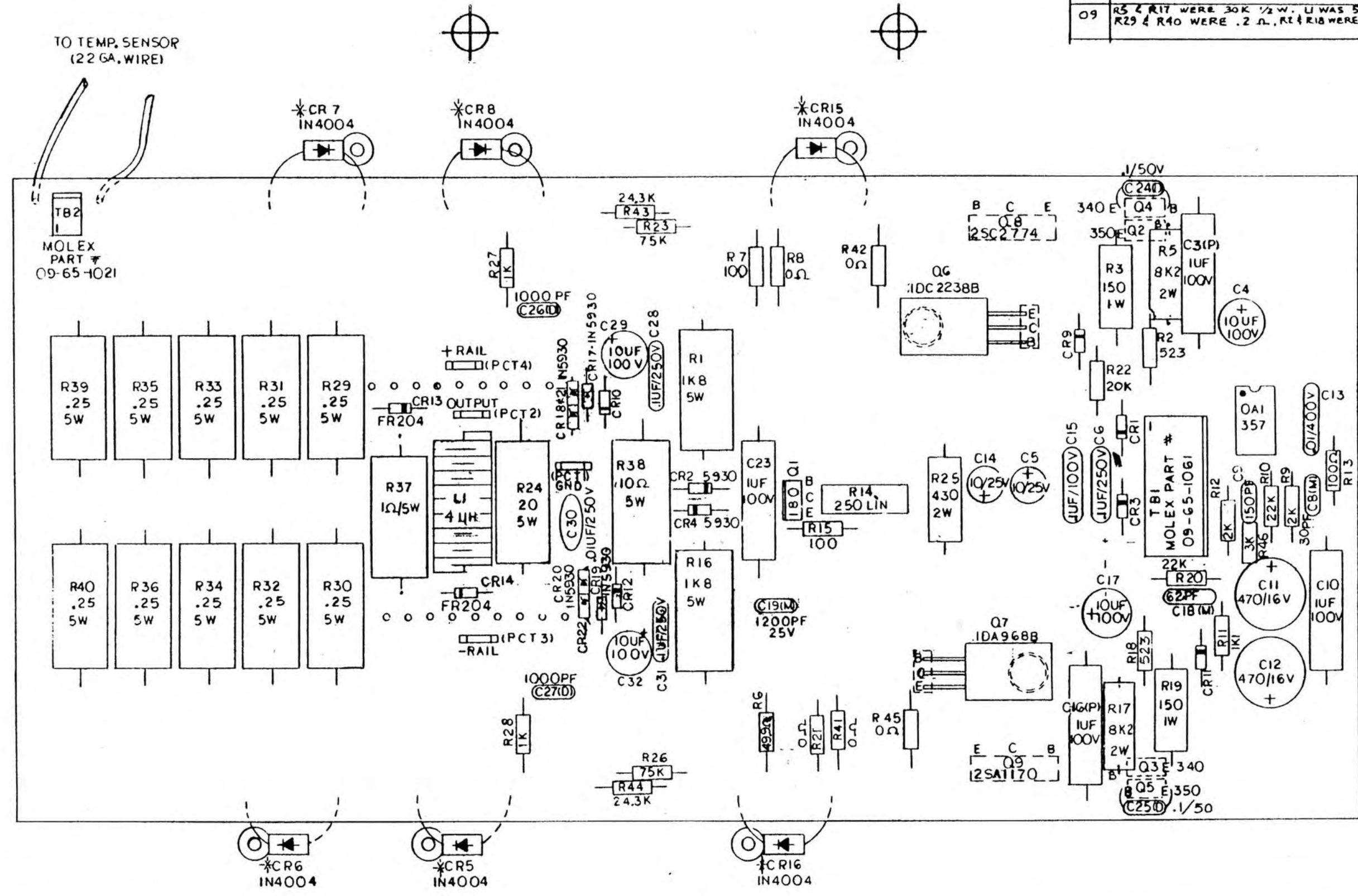
- 1) ALL RESISTOR 1/4 W, 1% UNLESS OTHERWISE SPECIFIED
- 2) ALL DIODES IN 414B UNLESS OTHERWISE SPECIFIED
- 3) ALL TRANSISTORS MPSA13 UNLESS OTHERWISE SPECIFIED
- 4) REV-00, SEE DWG # 2104677-00(OBSOLETE FILE)

REV	DESCRIPTION	DATE
01	REDESIGN P.C.B.	3/13/84
02	CHANGE RB, R19 FROM 20K TO 24.3K	3/23/84

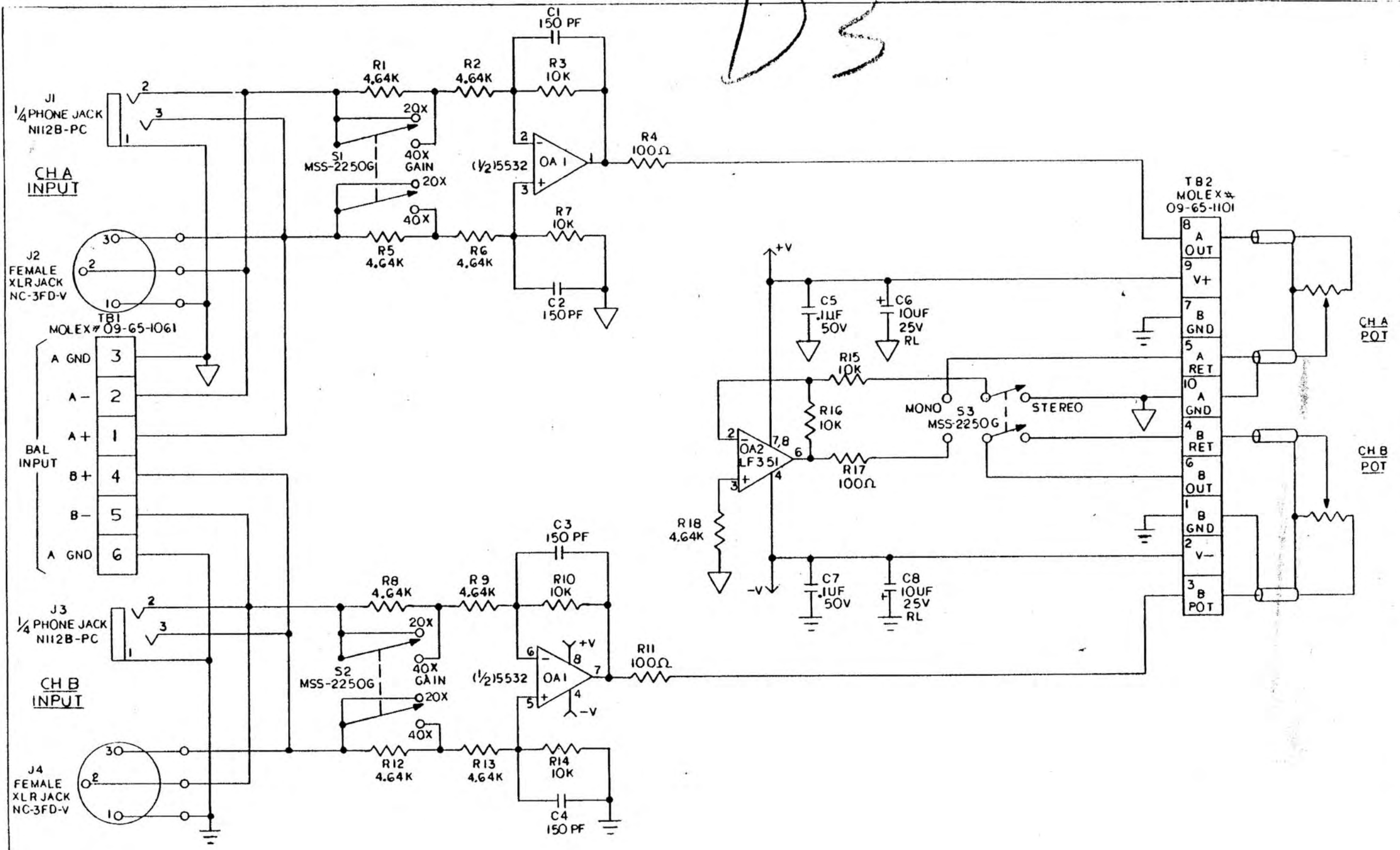
DALLAS MUSIC INDUSTRIES HAWTHORNE, N.J. 07508			
DWN:	E.C.	DATE:	3/13/84
APP:		DATE:	
TOL:	± 0.2	<	± 1°
	± 0.1	FRAC:	2/64
MATL:			
FINISH:			
DWG N.:	2103677	REV:	02

CREST:
MODELS 4000/4001/3000/3001
POWER AMPLIFIERS
RELAY/PROTECT P.C.B.
SCHEMATIC DWG

REV	DESCRIPTION	DATE
09	R5 & R17 WERE 30K 1/2 W. L1 WAS 5μH R29 & R40 WERE .2 Ω. R1 & R18 WERE 2K	12/1/85



COMP NOT INSTALLED BY OUTSIDE VENDOR	LAST REV DES		NOTES	REV	DESCRIPTION	DATE	DALLAS MUSIC INDUSTRIES HAWTHORNE, N.J. 07506	
	USED	NOT USED					DWN: E.C. 9/8/84	CREST
CR 5, 6, 7, 8, 15, 16	C 32	CI, 2, 20, 21, 22,	1) ALL RESISTORS 1/4 W, 1% UNLESS OTHERWISE SPECIFIED 2) CAPACITORS = (D) DISC, (M) MICA, (P) POLY. 3) * - PARTS ON HEATSINK 4) ALL DIODES IN4148 UNLESS OTHERWISE SPECIFIED 5) REV 1, 2, 3, 4, 5, SEE DWG # 2104643-05 (OBSOLETE FILE) 6) Q6 & Q7 ATTACH WITH PEM NUT # KFS2	06	REDESIGN P.C.B. & REDRAW DWG TO "C" SIZE	1/6/83	APP: I.F. DATE 6/2/84	MODELS: 3000/3001 SERIES POWER AMPLIFIERS
C 2, 3, 4, 5, 6, 7, 8, 9	CR 20			07	ADD RESISTORS # 42, 45 5Ω ADD RESISTORS # 43, 44 (24.3K) ADD DIODES # 17, 19 (1N5930) ADD DIODES # 18, 20 (1N1786) REMOVE CAP # 22 (1000 PF/D) CHANGE R13 FROM 3KΩ TO 100Ω CHANGE R25 FROM 430Ω 2W TO 200Ω 2W CHANGE C8 FROM 30 PF TO 62PF CHANGE R27, 28 FROM 100 TO 1K CHANGE R23, 26 FROM 6K8 TO 75K	2/15/84		HEATSINK P.C.B.
TB 2	L1							ASSEMBLY DWG.
	OA1							DWG NO: 22
	Q19							REV: 09
	R45							SCALE: 2:1
	TB3							NOT SCALE DRAWING
				08	CB-30, CR18, 20-1N5930, R11-450, ADD CR21, 22, R44	4/25/84		



COMP NOT INSTALLED BY
OUTSIDE VENDOR

LAST REF DES
USED NOT USED

NOTES
ALL RESISTOR 1/4W AND 1% UNLESS OTHERWISE SPECIFIED

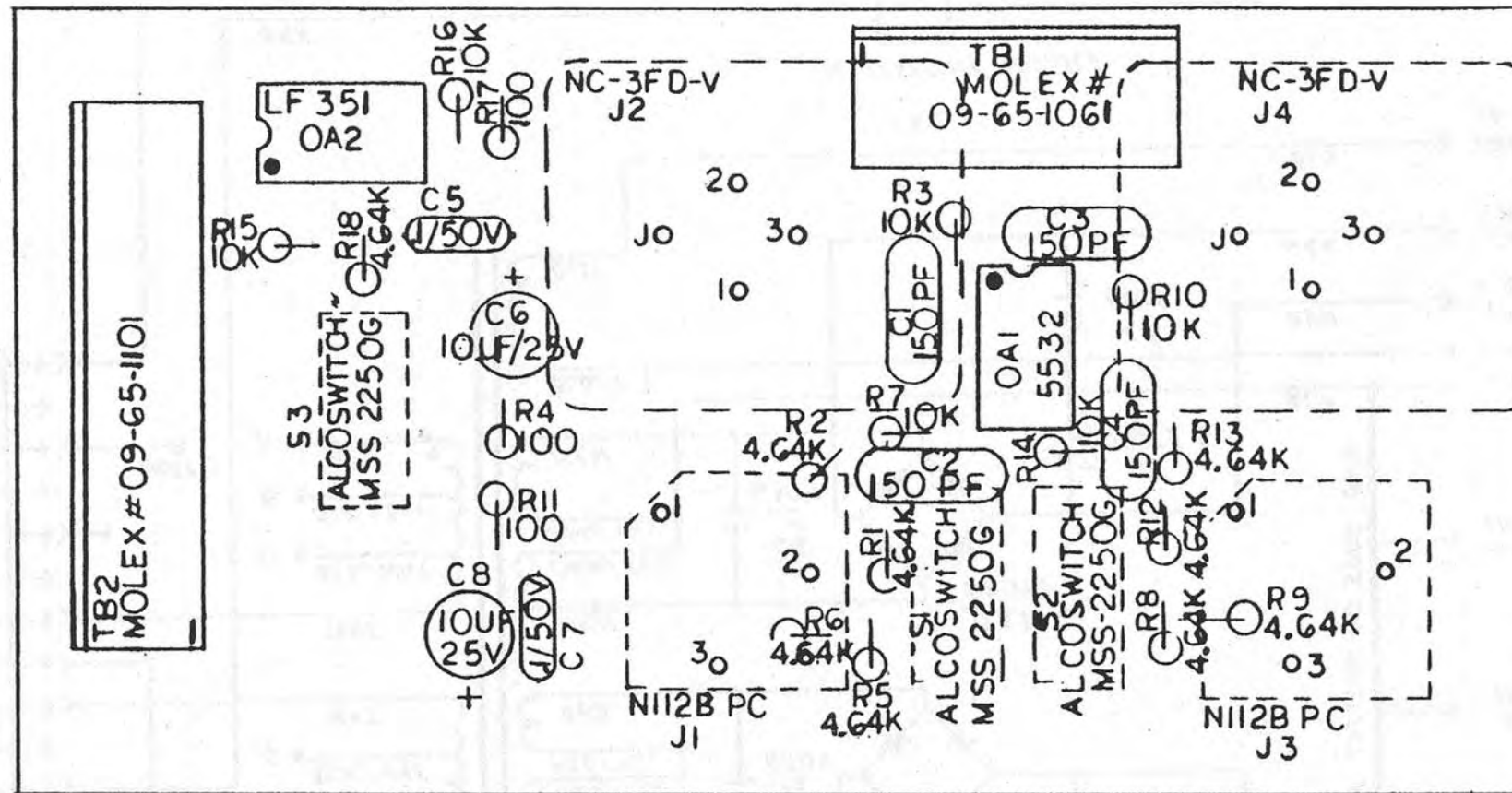
REV DESCRIPTION
01 REDESIGN&REDRAW

DATE
11/17/83

DALLAS MUSIC INDUSTRIES HAWTHORNE, N.J. 07508	
OWN E.C.	DATE 11/17/83
APP. I.J.F.	DATE 1/5/84
CREST MODELS: 3000/3001/4000/4001 POWER AMPLIFIERS	
INPUT P.C.B. SCHEMATIC DWG	
MATL	
FINISH	
DWG NO. 2103641	REV 01
SCALE	DO NOT SCALE DRAWING

J2, J4	C8	
S1, S2, S3	J4	
	OA2	
	R18	
	S3	
	TB2	

NOTES ALL RESISTOR 1/4 W -
AND 1% UNLESS OTHERWISE
SPECIFIED.

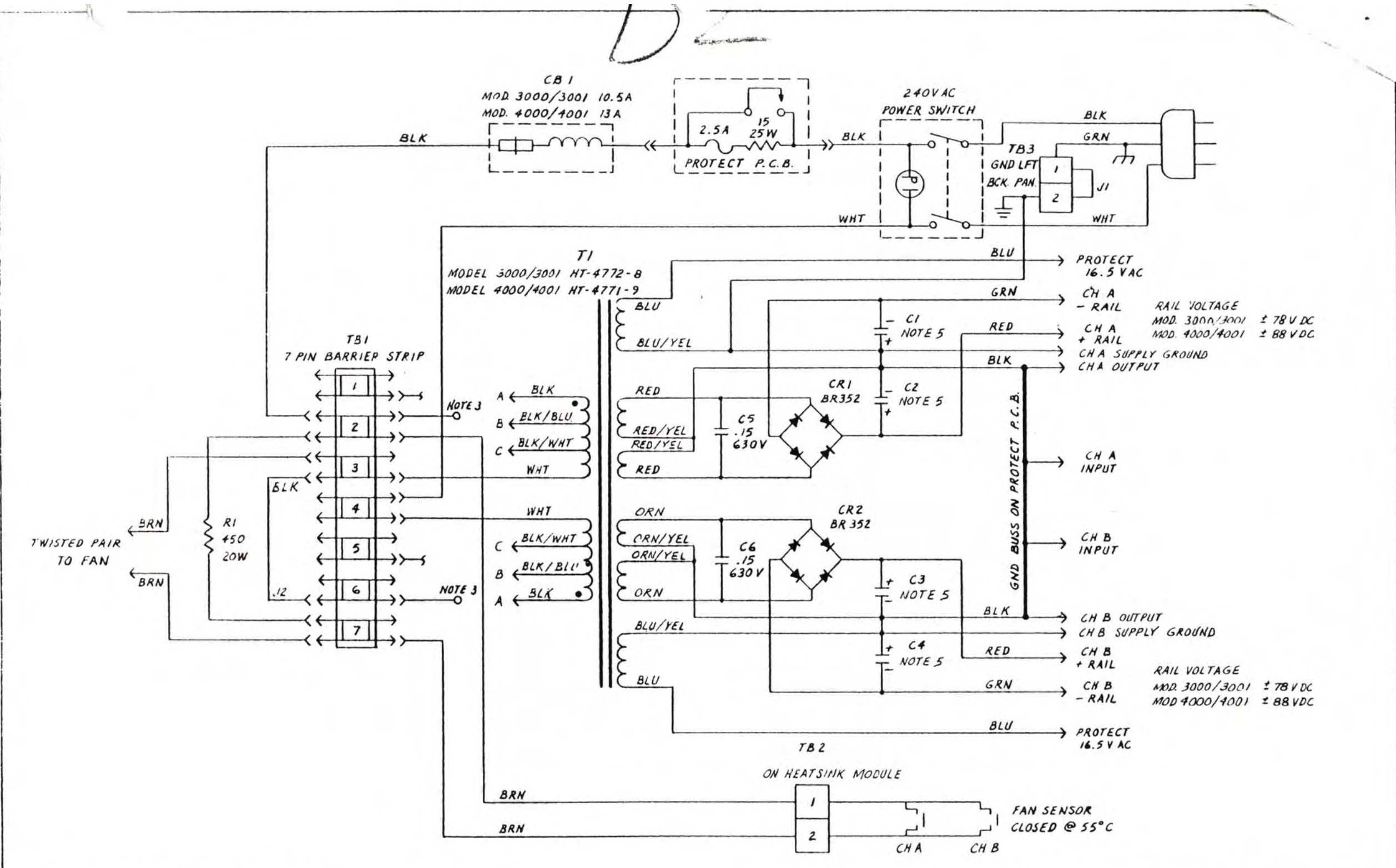


COMP. NOT INSTALLED BY
OUTSIDE VENDOR

J2, J4,		
---------	--	--

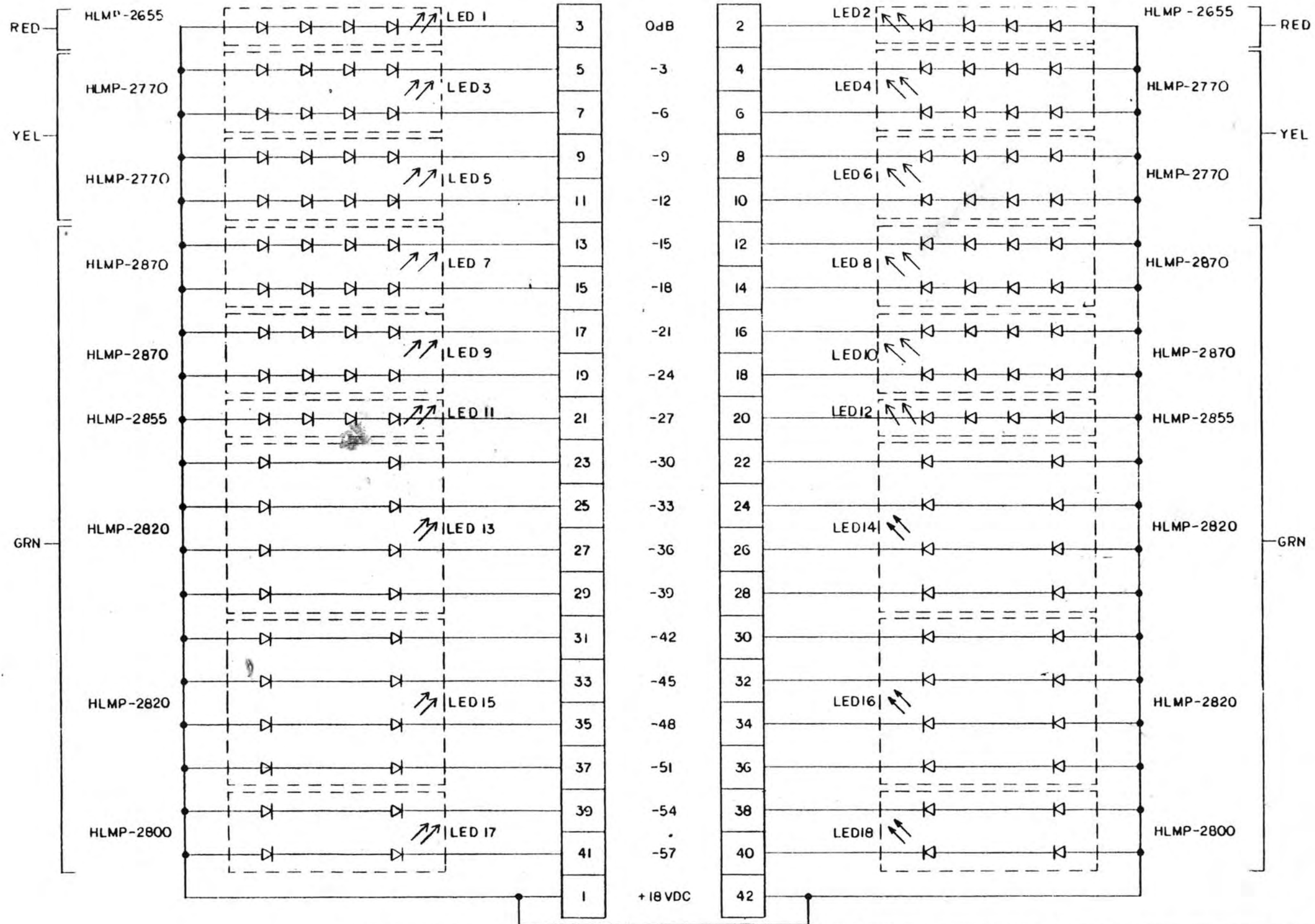
LAST REF DES		REV	DESCRIPTION	DATE
USED	NOT USED	01	REDESIGN & REDRAW	11/11/83
C8				
J4				
OA2				
R18				
S3				
TB2				

DALLAS MUSIC INDUSTRIES HAWTHORNE, N.J. 07506		
DWN.: E.C.	11/11/83	CREST MODELS: 4000/4001/3000/3001 POWER AMPLIFIERS
APP: I.F.	DATE: 2/2/84	
TOL: XX: ±.02 Z: ±1° XXX: ±.01 FRACT: ±1/64		INPUT P.C.B.
MATL.:		ASSEMBLY DWG.
FINISH:		DWG. No.: 2202641
		REV: 01
SCALE: 2:1		DO NOT SCALE DRAWING



COMP. NOT INSTALLED BY OUTSIDE VENDOR	LAST REF DES.		NOTES	REV	DESCRIPTION	DATE	CREST AUDIO HAWTHORNE N.J. 07506		
	USED	NOT USED					OWN: E.N.	DATE: 9/23/85	CREST
	C6		1. J = JUMPER 2. FAN SENSOR LOCATED ON HEATSINK MODULE 3. XFMR TAB A = 240V B = 220V C = 200V 4. UNUSED XFMR TAB PER WINDING GOES TO TB1 PINS 1 & 5 5. MODELS 3000/3001 C1,C2,C3,C4 15000 80V MODELS 4000/4001 C1,C2,C3,C4 20000 90V				APP: I.F.	DATE: 10/18/85	MODELS 3000/3001/4000/4001 SERIES POWER AMPLIFIERS
	CB1						TOL: .02 ±	FRACT: 1/64	VOLTAGE CONVERSION AND POWER SUPPLY 200V - 240V
	CR2						MATL:		SCHEMATIC DWG
	R1						FINISH:		DWG NO: 2103797
	S1								REV:
	T1								
	TB3								

CH A



NOTES:

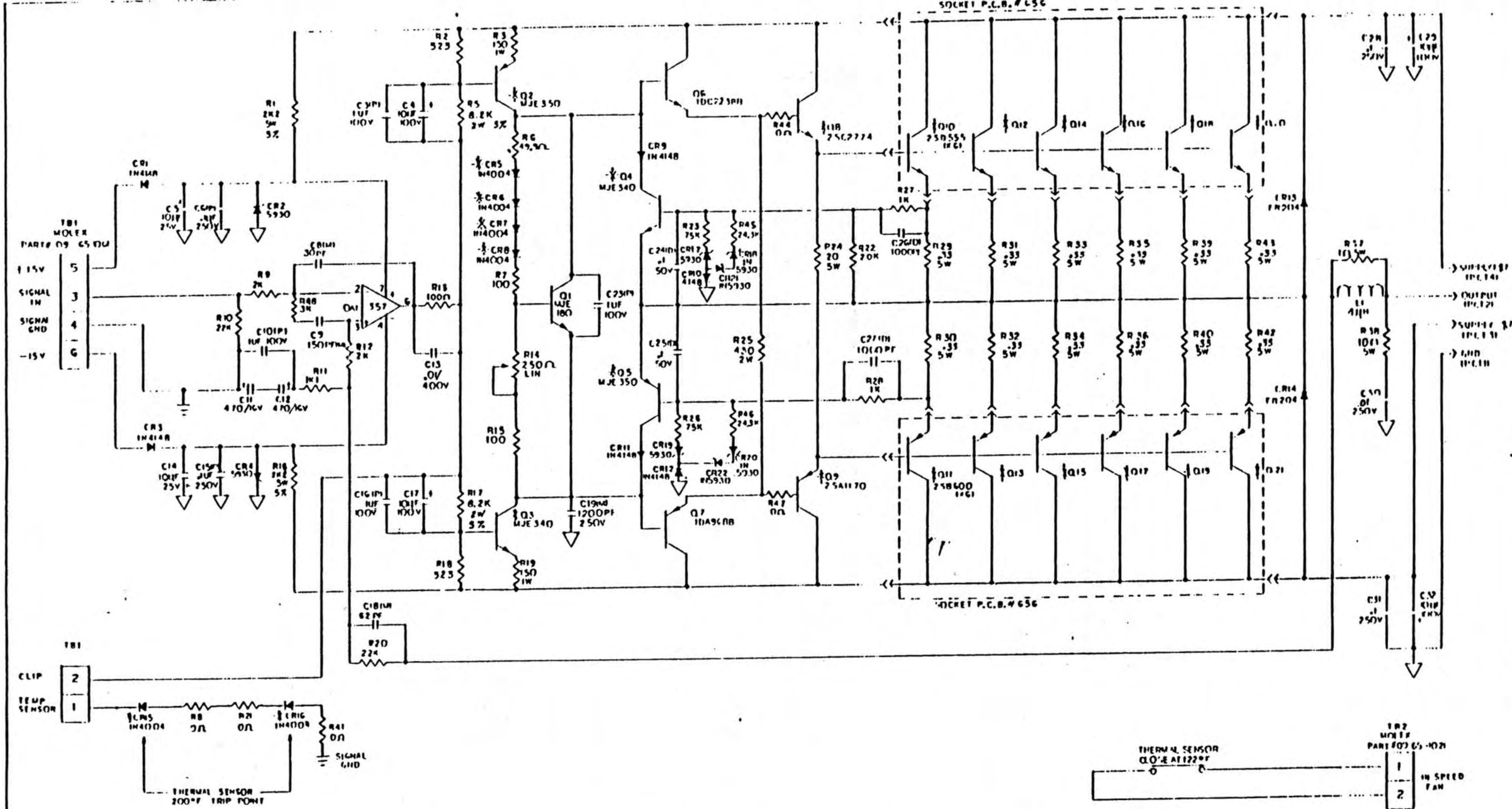
- 1) TB1 TERMINALS 1-21 & TB2 TERMINALS 22-42.

REV	DESCRIPTION	DATE
01	REDESIGN P.C.B.	2/8/82
02	REDESIGN P.C.B.	2/6/84

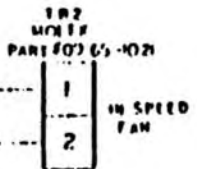
CREST AUDIO
HAWTHORNE, N.J. 07806

DWN. E.C.	DATE: 2/6/84	CREST MODEL 3000/3004/4000/ 4001 POWER AMPLIFIERS METER ARRAY P.C.B. SCHEMATIC DWG.
APP. I.F.	DATE: 2/6/84	
TOL. ± 0.2 < ± 1° ± 0.01 FRACT ± 1/64		DWG. No. 2103370
MATERIALS		
FINISH		REV. 02
SCALE		DO NOT SCALE DRAWING

SECRET P.C.B. # 456



THERMAL SENSOR
CLOSE AT 122°F



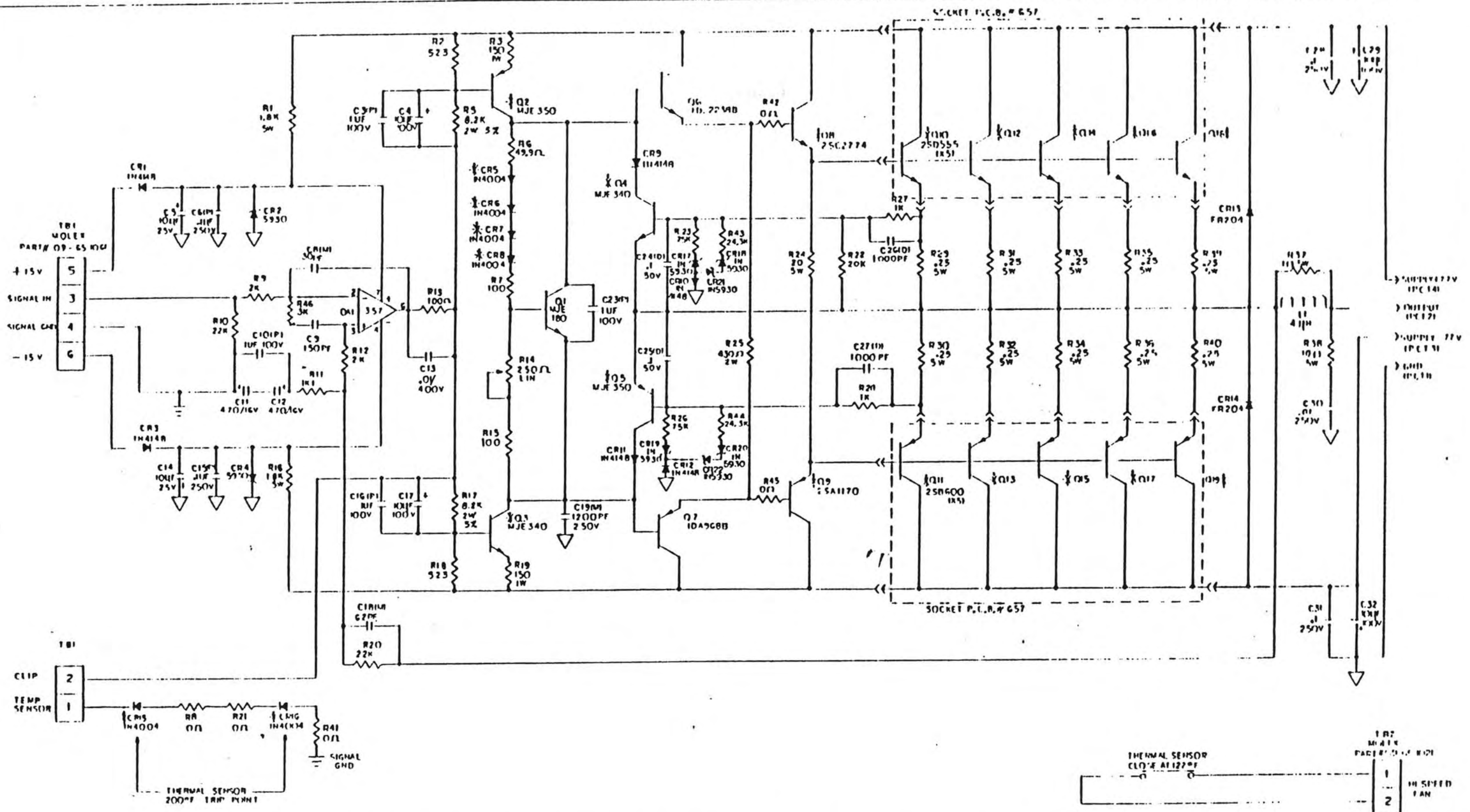
REV	DESCRIPTION	DATE	COMP. NOT INSTALLED BY
09	R29-R43 WERE .2W 5% L1 WAS 5-1/2" R16 R18 WERE 100 R24 R26 WERE 2K	11/27/85	OUTSIDE VENDOR CR5, C7, R15, 16 Q2, 3, 4, 5, 6, 7, 8, 9 T82

LAST REF DES.	NOTES
USED	ALL RESISTORS 1/4W, 1% UNLESS OTHERWISE SPECIFIED
C32	24V AC MOTOR: 100VDC, 100W, 100VDC, 100W, 100VDC, 100W
CR22	5% PARTS ON HEATSINK
L1	ALUM SOLENT P.C.B. USE PIN MOLDER 100 C.C. 100V
Q1	Q1, Q2, 10 DC 40V Q1, Q2
C21	SIREV 1, 2, 3, 4, 5 SEE DWG P: N: 4643-05
R50	HEATSINK ETC FILE
T82	

REV	DESCRIPTION	DATE
06	REDESIGN P.C.B.	1/11/84
07	ADD RESISTOR R44 4715 1/4W ADD RESISTOR R45 4612 1/4W ADD (MOTOR'S) 190V 50/50 ADD (MOTOR'S) 190V 50/50 REMOVE CAP 272 100V 100V CHANGE R15 FROM 300 TO 100V CHANGE R25 FROM 430V 2W TO 200V 2W CHANGE C18 FROM 100V TO 62V CHANGE R27 FROM 100V TO 10V CHANGE R28 FROM 100V TO 10V CHANGE R29 FROM 100V TO 10V CHANGE R30 FROM 100V TO 10V CHANGE R31 FROM 100V TO 10V CHANGE R32 FROM 100V TO 10V CHANGE R33 FROM 100V TO 10V CHANGE R34 FROM 100V TO 10V CHANGE R35 FROM 100V TO 10V CHANGE R36 FROM 100V TO 10V CHANGE R37 FROM 100V TO 10V CHANGE R38 FROM 100V TO 10V CHANGE R39 FROM 100V TO 10V CHANGE R40 FROM 100V TO 10V CHANGE R41 FROM 100V TO 10V CHANGE R42 FROM 100V TO 10V CHANGE R43 FROM 100V TO 10V	7/13/84

DATE	DESCRIPTION
1/11/84	REDESIGN P.C.B.
7/13/84	ADD RESISTOR R44 4715 1/4W ADD RESISTOR R45 4612 1/4W ADD (MOTOR'S) 190V 50/50 ADD (MOTOR'S) 190V 50/50 REMOVE CAP 272 100V 100V CHANGE R15 FROM 300 TO 100V CHANGE R25 FROM 430V 2W TO 200V 2W CHANGE C18 FROM 100V TO 62V CHANGE R27 FROM 100V TO 10V CHANGE R28 FROM 100V TO 10V CHANGE R29 FROM 100V TO 10V CHANGE R30 FROM 100V TO 10V CHANGE R31 FROM 100V TO 10V CHANGE R32 FROM 100V TO 10V CHANGE R33 FROM 100V TO 10V CHANGE R34 FROM 100V TO 10V CHANGE R35 FROM 100V TO 10V CHANGE R36 FROM 100V TO 10V CHANGE R37 FROM 100V TO 10V CHANGE R38 FROM 100V TO 10V CHANGE R39 FROM 100V TO 10V CHANGE R40 FROM 100V TO 10V CHANGE R41 FROM 100V TO 10V CHANGE R42 FROM 100V TO 10V CHANGE R43 FROM 100V TO 10V

DATE	DESCRIPTION
1/11/84	REDESIGN P.C.B.
7/13/84	ADD RESISTOR R44 4715 1/4W ADD RESISTOR R45 4612 1/4W ADD (MOTOR'S) 190V 50/50 ADD (MOTOR'S) 190V 50/50 REMOVE CAP 272 100V 100V CHANGE R15 FROM 300 TO 100V CHANGE R25 FROM 430V 2W TO 200V 2W CHANGE C18 FROM 100V TO 62V CHANGE R27 FROM 100V TO 10V CHANGE R28 FROM 100V TO 10V CHANGE R29 FROM 100V TO 10V CHANGE R30 FROM 100V TO 10V CHANGE R31 FROM 100V TO 10V CHANGE R32 FROM 100V TO 10V CHANGE R33 FROM 100V TO 10V CHANGE R34 FROM 100V TO 10V CHANGE R35 FROM 100V TO 10V CHANGE R36 FROM 100V TO 10V CHANGE R37 FROM 100V TO 10V CHANGE R38 FROM 100V TO 10V CHANGE R39 FROM 100V TO 10V CHANGE R40 FROM 100V TO 10V CHANGE R41 FROM 100V TO 10V CHANGE R42 FROM 100V TO 10V CHANGE R43 FROM 100V TO 10V



REV	DESCRIPTION	DATE	COMP NOT INSTALLED BY OUTSIDE VENDOR	LAST REF DES	NOTES	REV	DESCRIPTION	DATE
05	R5, R7, R15, R16, R29 - R40 WERE 5% 1/4W 5% R2 (R1A WERE 2K)	11/17/84	CR5, G, T, R, 15, 16 Q2, 3, 4, 5, G, 7, 8, 9 T87	USED NOT USED C1, R, 20, 21, 22 L1 Q1 Q19 R46 T83	1) ALL RESISTORS 1/4W UNLESS OTHERWISE SPECIFIED 2) CAPACITORS - 50V UNLESS OTHERWISE SPECIFIED 3) 1/2 PARTS ON HEATSINK 4) ON SOCKET P.C.B., USE PIN MOUNTING (CG1021) 5) 1/2 (NO OF -) IN (D) IN 5) REV. 12, 1, 4, 5 SEE (MCG21) 4G43 - OSIDISKRETE FILE)	06 07	1) MIX SIGN P.C.B. (REVISED) DWG 2) ADD RESISTORS #42 451 50K 3) ADD RESISTORS #43 441 24.3K 4) ADD DIODES #12, #11 1N5930 5) ADD DIODES #13, #14 1N4148 6) MOVE CAP #22 1000PF TO CHANGE R15 FROM 50K TO 100K CHANGE R25 FROM 430-2W TO 200-2W CHANGE C A FROM 30PF TO 82PF CHANGE R27 FROM 10K TO 1K CHANGE R25 (76F) FROM 10K TO 75K C.B. 100 (R20) 1N5930 125 430	11/5/84 1/15/84

DALLAS MUSIC INDUSTRIES
MUSICOMMUNICATIONS

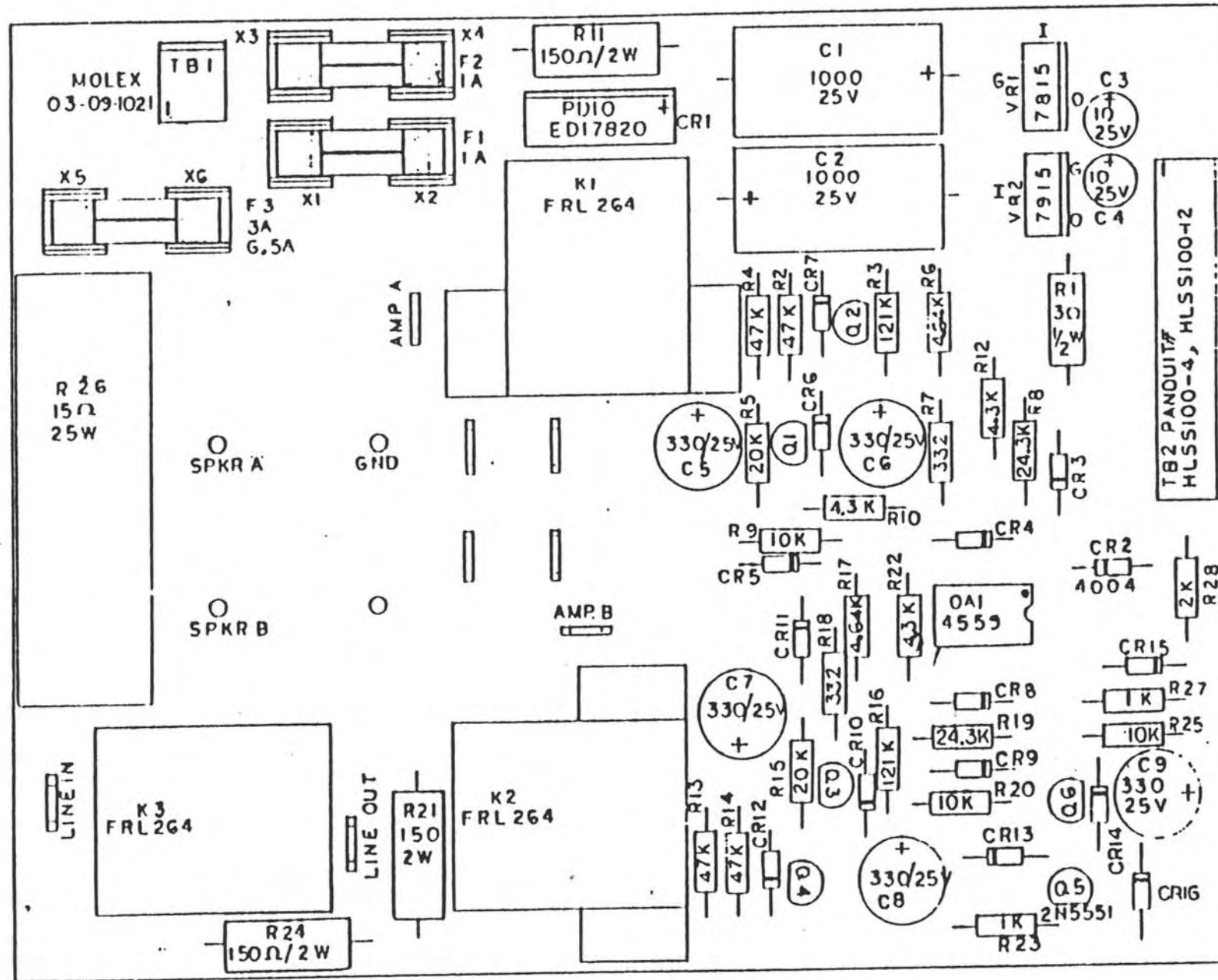
11/5/84

1/15/84

HEATSINK P.C.B.
SCHEMATIC P.C.B.

REV 09

DO NOT SCALE DRAWING



COMP NOT INSTALLED BY
OUTSIDE VENDOR

LAST REF DES.

USED	NOT USED
C 9	
CRIG	
K 3	
OA1	
Q 6	
R 28	

NOTES

- 1) ALL RESISTORS 1/4W, 1% UNLESS OTHERWISE SPECIFIED
- 2) ALL DIODES IN4148 UNLESS OTHERWISE SPECIFIED
- 3) ALL TRANSISTORS MPSA13 UNLESS OTHERWISE SPECIFIED
- 4) X1-X6 KEYSTONE # 3529

REV DESCRIPTION

REV	DESCRIPTION	DATE
01	REDESIGN P.C.B.	3/13/84
02	CHANGE R8, R19 FROM 20K TO 24.3K	3/23/84
03	R25 FROM 75K TO 24.3K TO 10K	5/31/84

DATE

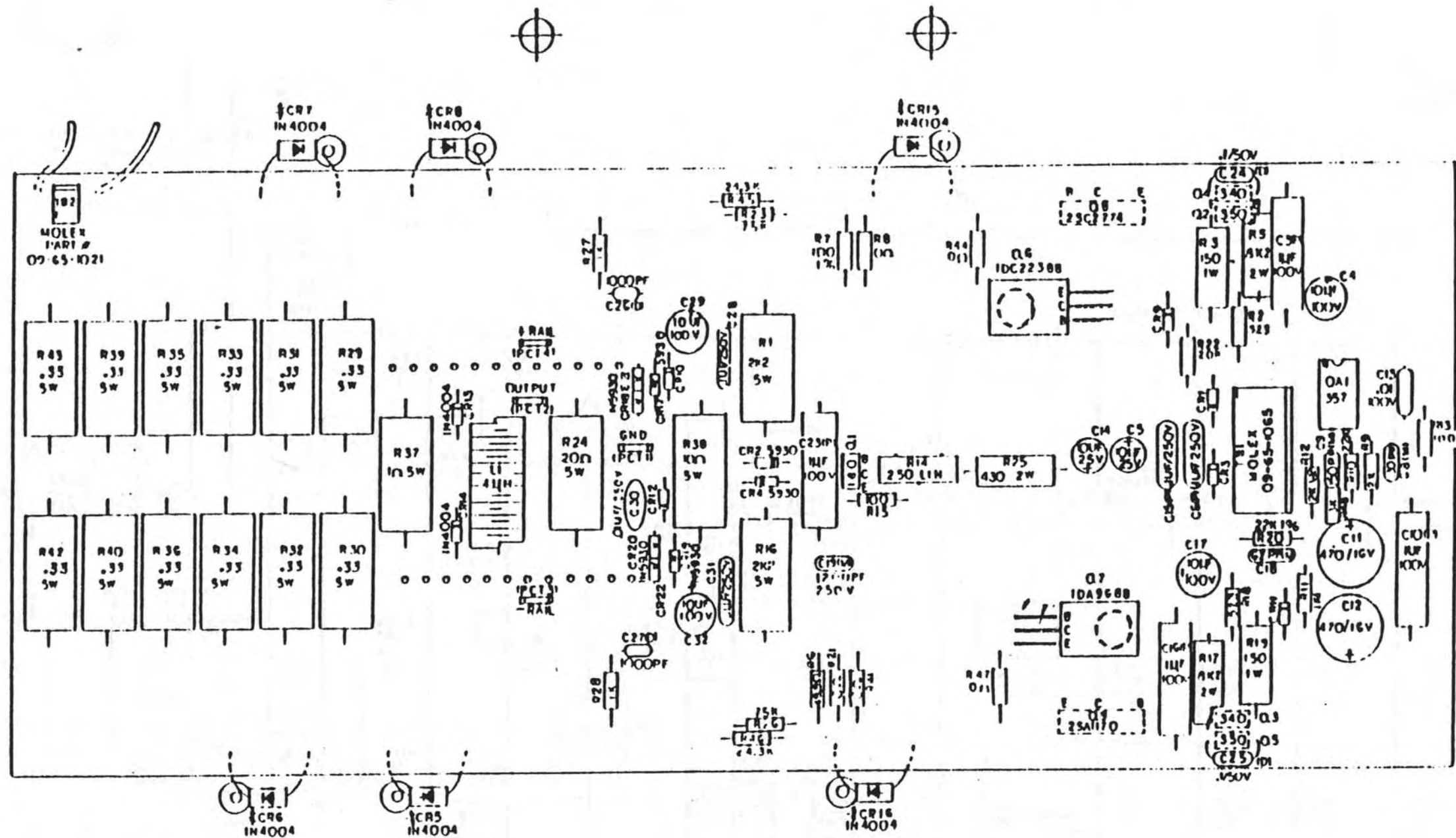
DALLAS MUSIC INDUSTRIES
HAWTHORNE, N.J. 07308

OWN: E.C. DATE: 3/13/84
APP: I.F. DATE: 6/22/84
TOL: ± .05 < .25°
*** 2 01 PRACT 2/04
MATE:
FINISH:

CREST:
MODELS: 4000/4001/3000/3001
POWER AMPLIFIERS
RELAY /PROJECT P.C.B.
ASSY DIG

DWG NO. 2203677

03



REV	DESCRIPTION	DATE	COMP. NOT INSTALLED BY	LAST REF DES.	NOTES	REV	DESCRIPTION	DATE	DALLAS MUSIC INDUSTRIES MONTGOMERY, TEXAS	
09	R7 & R17 WERE 30K 1/4W LI WAS 5W R19 - R42 WERE .25A. RE & R18 WERE 2W	12/1/83	OUTSIDE VENDOR	USED: C32, CR1G, L1, OAI, C121, R4B, 1B2 NOT USED: C12, 7, 20, 21	ALL RESISTORS 1/2W 1% UNLESS OTHERWISE SPECIFIED 2 CAPACITORS: 10 DISC, 10 MICRA, 10 POLY 3 1/2 PARTS ON HEATSINK ALL NODES R1414R UNLESS OTHERWISE SPECIFIED SI REV. 1, 2, 3, 4, 5 SEE DWG # 2104647-05 IC OBSOLETE FILE GI GG CQY ATTACH WITH PEM N.Y. #FS2-632	06	REDESIGN P.C.B.	1/17/84	E.C.	CREST
07	ADD RESISTOR R45 4K 1/4W 5% ADD RESISTOR R45 4K 1/4W 5% ADD DIODES R17, R19, R15, R30 ADD DIODES R17, R19, R15, R30 REMOVE CAP 22 100V 100UF CHANGE R15 FROM 300K TO 100K CHANGE R25 FROM 450K TO 2W TO 200K 2W CHANGE CR1 FROM 50V TO 62V CHANGE R27, R28 FROM 10W TO 1W CHANGE R23 TO 200K 1/4W 5%	2/1/84				07	ADD RESISTOR R45 4K 1/4W 5% ADD RESISTOR R45 4K 1/4W 5% ADD DIODES R17, R19, R15, R30 ADD DIODES R17, R19, R15, R30 REMOVE CAP 22 100V 100UF CHANGE R15 FROM 300K TO 100K CHANGE R25 FROM 450K TO 2W TO 200K 2W CHANGE CR1 FROM 50V TO 62V CHANGE R27, R28 FROM 10W TO 1W CHANGE R23 TO 200K 1/4W 5%	2/1/84	J.F.	MODELS: 1000/1001/1002/1003 HEATSINK P.C.B. ASSEMBLY DWG.
08	R8 TO R10 100K 1/4W 5% R25 TO 450K 1/4W 5%	2/1/84				08	R8 TO R10 100K 1/4W 5% R25 TO 450K 1/4W 5%	2/1/84		270862 SCALE 3:1 100 NOT SCALE DRAWING