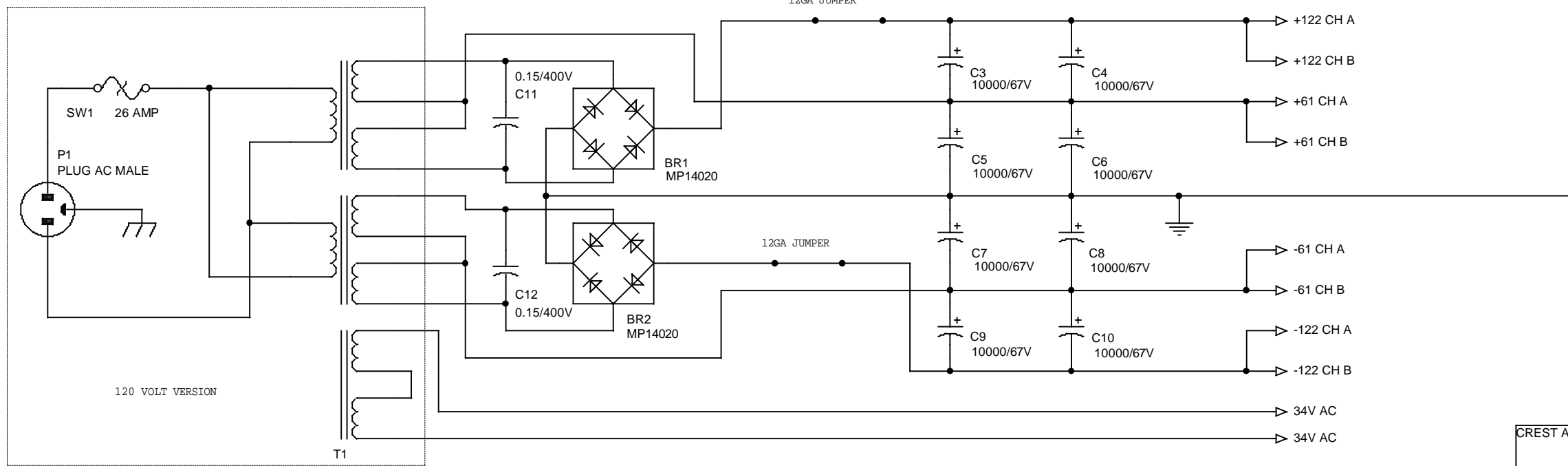
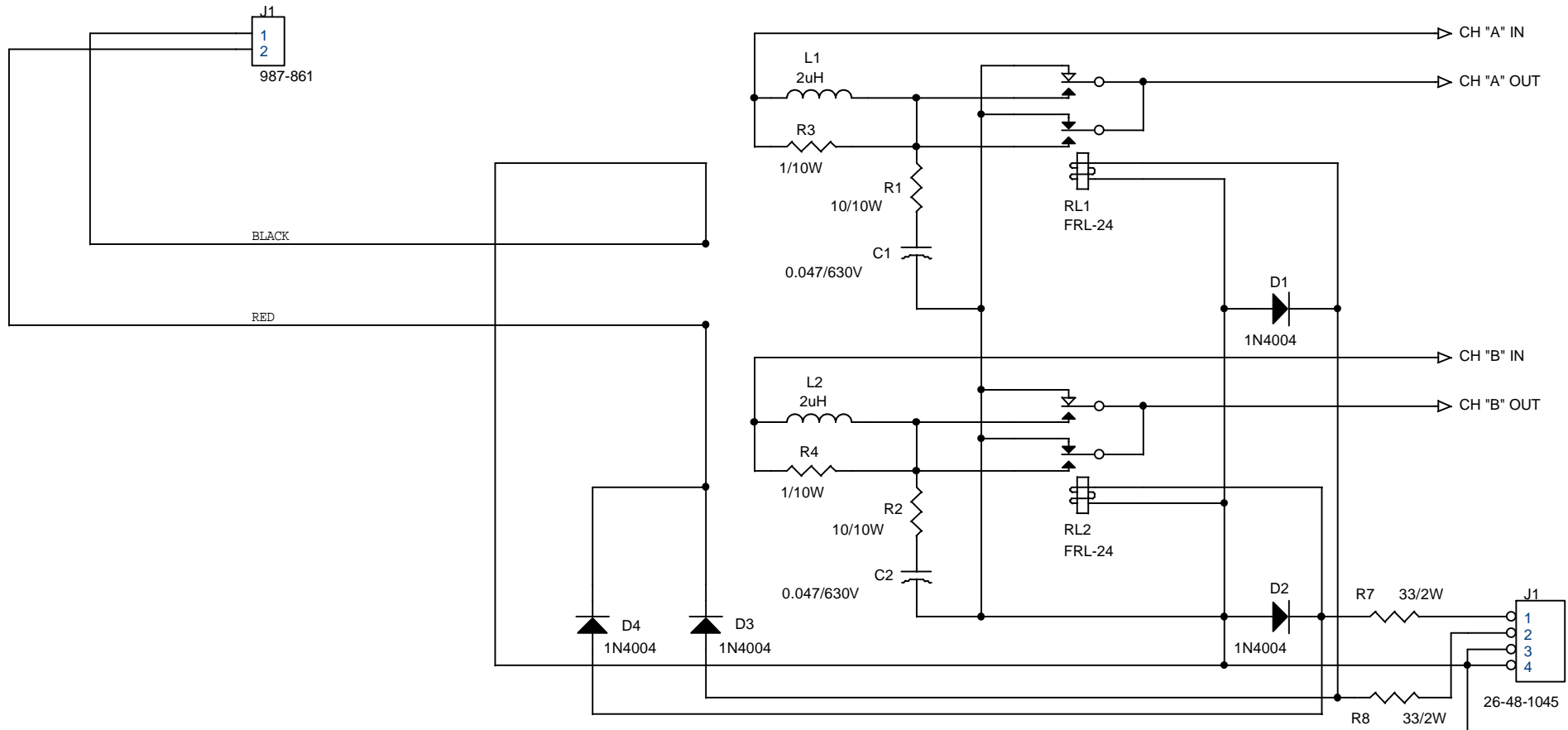
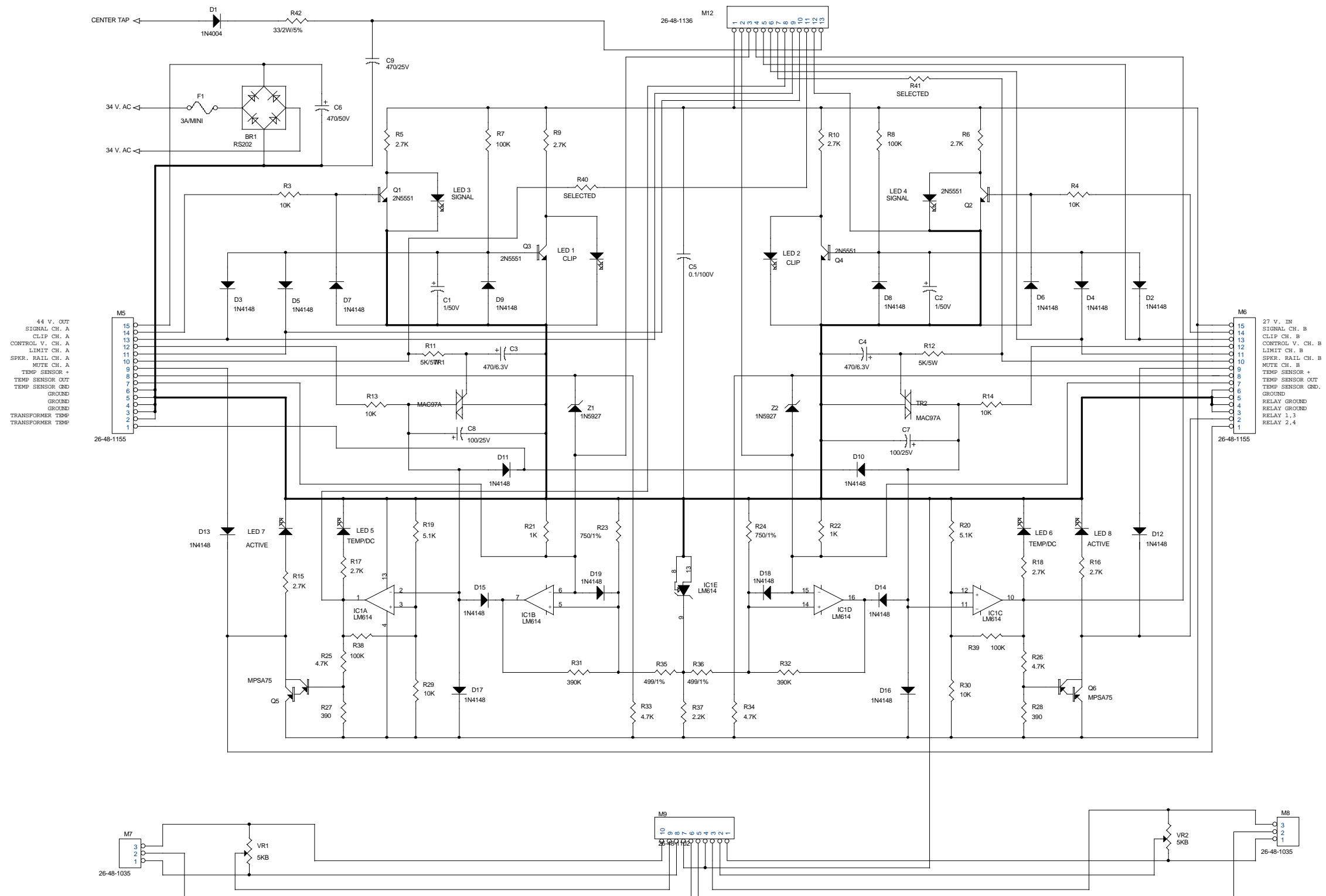


|                                   |                            |      |
|-----------------------------------|----------------------------|------|
| CREST AUDIO                       |                            |      |
| HAWTHORNE, NJ 07506               |                            |      |
| Title<br>6001/4801/3301 INPUT PCB |                            |      |
| Size<br>A                         | Document Number<br>21A1006 | Rev  |
| Date: Wednesday, May 17, 2000     | Sheet 1                    | of 0 |

WIRE HARNESS TO SURGE PCB



|   |                                   |           |
|---|-----------------------------------|-----------|
| CREST AUDIO INC.                          |                                   |           |
| 150 Florence Ave.<br>Hawthorne, NJ 07506  |                                   |           |
| Title<br>6001/7001 POWER SUPPLY/RELAY PCB |                                   |           |
| Size<br>B                                 | Document Number<br>21B0927-01.REV | Rev<br>01 |
| Date:<br>Wednesday, May 17, 2000          | Sheet<br>1                        | of<br>1   |



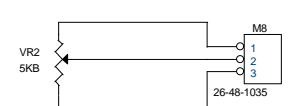
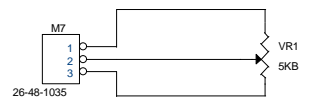
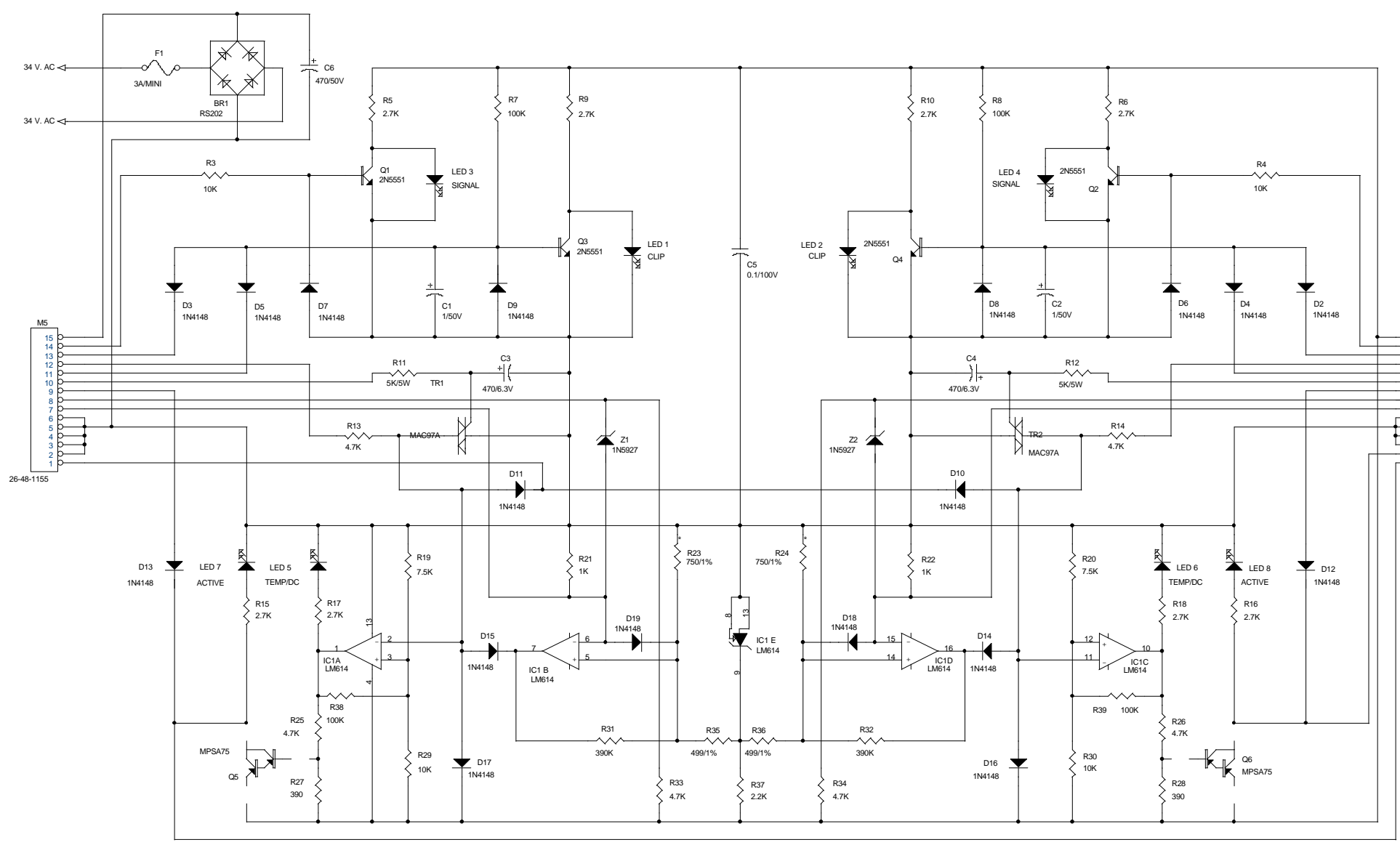
R40, R41 RESISTOR VALUES

| MODEL | VALUE         |
|-------|---------------|
| 3301  | 41.2K 1/4W/1% |
| 4601  | 53.6K 1/4W/1% |
| 4801  | 60.4K 1/4W/1% |
| 6001  | 73.2K 1/4W/1% |
| 7001  | 84.5K 1/4W/1% |

CREST AUDIO INC.  
 150 Florence Ave.  
 Hawthorne, NJ 07506  
 Title 7-6-48-46-3301 DISPLAY WINEXSYS CONTROL  
 Size C Document Number 21C1095 Rev 02  
 Date: Wednesday, May 17, 2000 Sheet 1 of 0

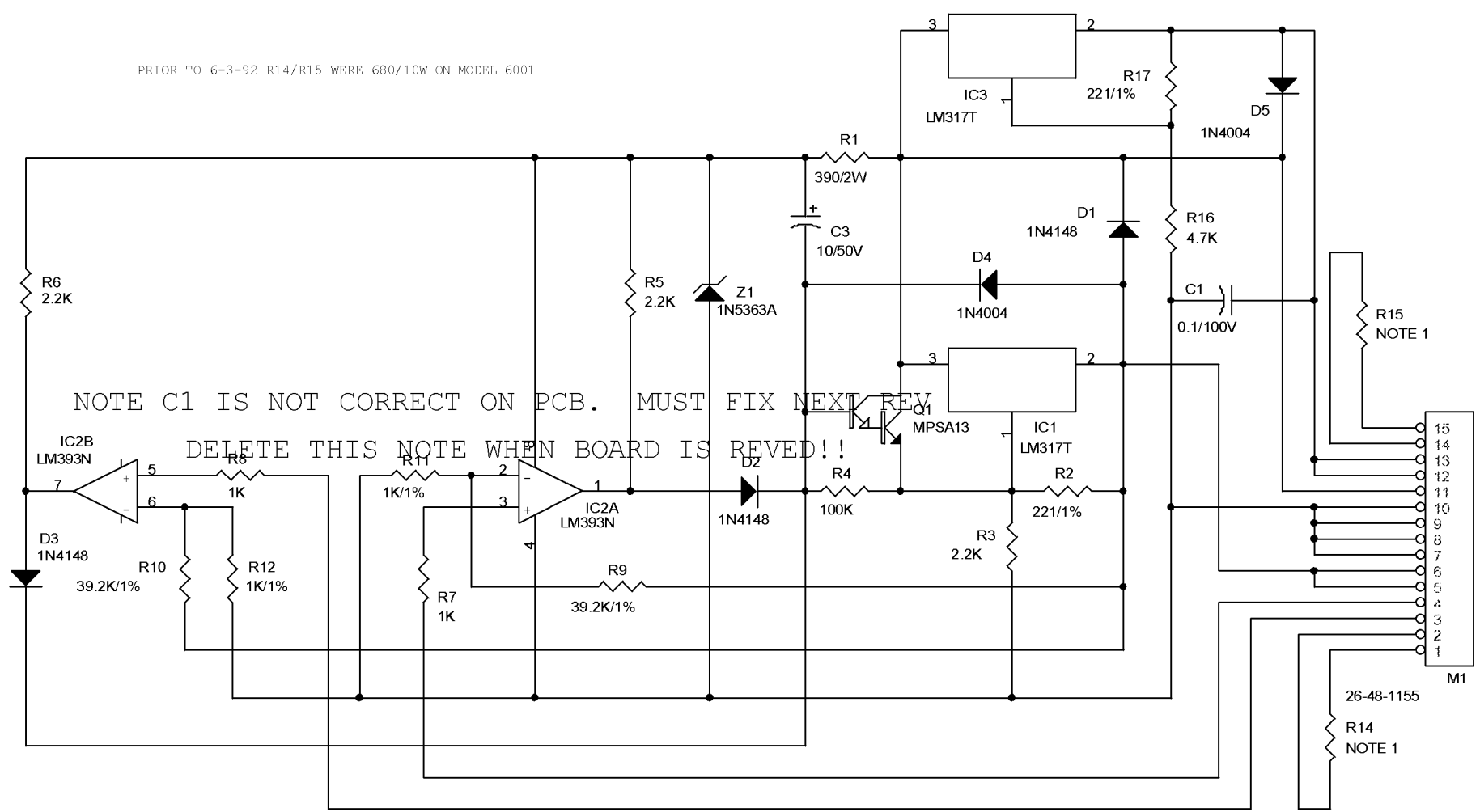
44 V. OUT  
 SIGNAL CH. A  
 CLIP CH. A  
 CONTROL V. CH. A  
 LIMIT CH. A  
 SPKR. RAIL CH. A  
 MUTE CH. A  
 TEMP SENSOR +  
 TEMP SENSOR OUT  
 TEMP SENSOR GND  
 GROUND  
 GROUND  
 TRANSFORMER TEMP  
 TRANSFORMER TEMP

27 V. IN  
 SIGNAL CH. B  
 CLIP CH. B  
 CONTROL V. CH. B  
 LIMIT CH. B  
 SPKR. RAIL CH. B  
 MUTE CH. B  
 TEMP SENSOR +  
 TEMP SENSOR OUT  
 TEMP SENSOR GND  
 GROUND  
 RELAY GROUND  
 RELAY GROUND  
 RELAY 1,3  
 RELAY 2,4



\* NOTE  
 ON 7001 R23, R24 WILL CHANGE TO 1K/1K WITH UL APPROVAL

PRIOR TO 6-3-92 R14/R15 WERE 680/10W ON MODEL 6001



NOTE 1: 680/10W ON 7001  
620/10W ON 6001  
1K/10W ON 3301  
1.1K/10W ON 4601

|  |                            |         |
|--|----------------------------|---------|
| CREST AUDIO INC.                         |                            |         |
| 150 Florence Ave.<br>Hawthorne, NJ 07506 |                            |         |
| Title<br>7001/6001/4601/3301 FAN DRIVER  |                            |         |
| Size<br>A                                | Document Number<br>21A0952 | Rev     |
| Date:<br>Wednesday, May 17, 2000         | Sheet<br>1                 | of<br>1 |