

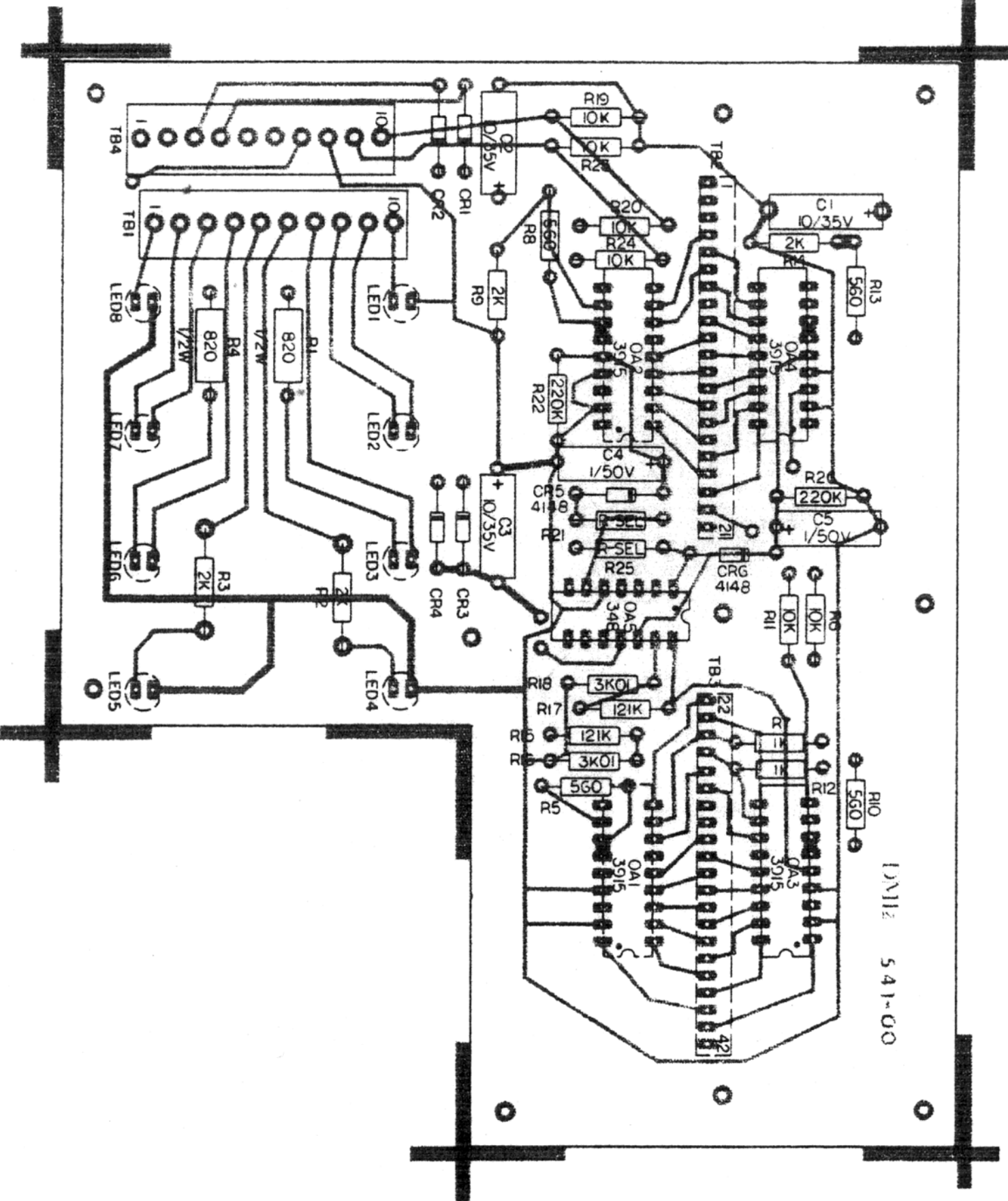
120V TRANSFORMER WIRING

- NOTES:
- 1) J - JUMPER
 - 2) THERMAL SENSORS & FAN LOCATED ON HEATSINK MODULE

REV	ECO	DESCRIPTION	DATE

DALLAS MUSIC INDUSTRIES HAWTHORNE, N.J. 07998	
DRW: JMB	DATE: 5/28/82
APP: [Signature]	DATE: 2-6-82
TOL: 1.02	4.2"
PRNT: 01	FRAC: 1/64
MATERIAL:	
FINISH:	
Dwg No: 2203595	
SCALE: -- DO NOT SCALE DRAWING	
REV: 01	

CREST:
 MOBILE 5000 & 5001 SERIES
 POWER AMPLIFIERS
 TRANSFORMER WIRING DIAGRAM
 (120V)
 ASSEMBLY Dwg.



LAST REF DES NOT USED

NOT USED

REV ECO DESCRIPTION DATE

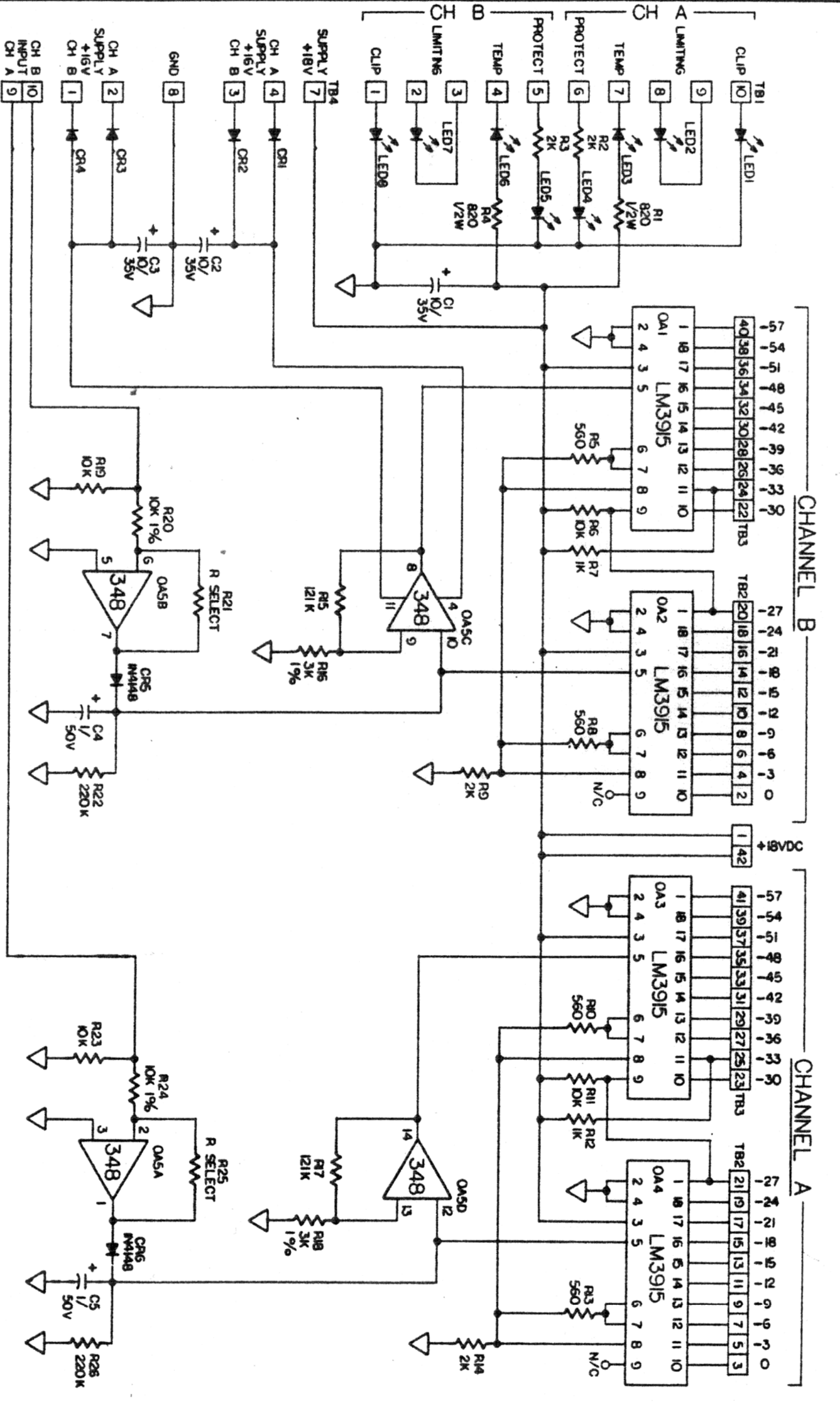
- NOTES:
- 1) ALL LEDs, OA1,2, TB2,3 MOUNT ON SOLDER SIDE
 - 2) R21 & 25, R SELECT IN TEST

USED	NOT USED
R26	
C5	
LED8	
OA5	
TB4	

DALLAS MUSIC INDUSTRIES
HAWTHORNE, N.J. 07108

OWN: JJD	DATE: 04/27/62	CREST:
APP: JJD	DATE: JJD	MODEL 5000 SERIES
TITLE: PMMR	DATE: JJD	PMMR AMPLIFIER
SCALE: 2:1	DATE: JJD	MAIN DESIGN E.C.B.
SCALE: 2:1	DATE: JJD	ASSEMBLY DWG.
SCALE: 2:1	DATE: JJD	DWG NO: 2203541
SCALE: 2:1	DATE: JJD	REV: 00

SCALE 2:1 OR NOT SCALE DRAWING



MODEL	R SELECT	LAST REF	DES	NOTES:
4000		USED		
5000	2K, 10%	NOT USED		

USED	NOT USED
R26	
C5	
CR6	
LED6	
OAS	
T8A	

REV	ECO	DESCRIPTION	DATE

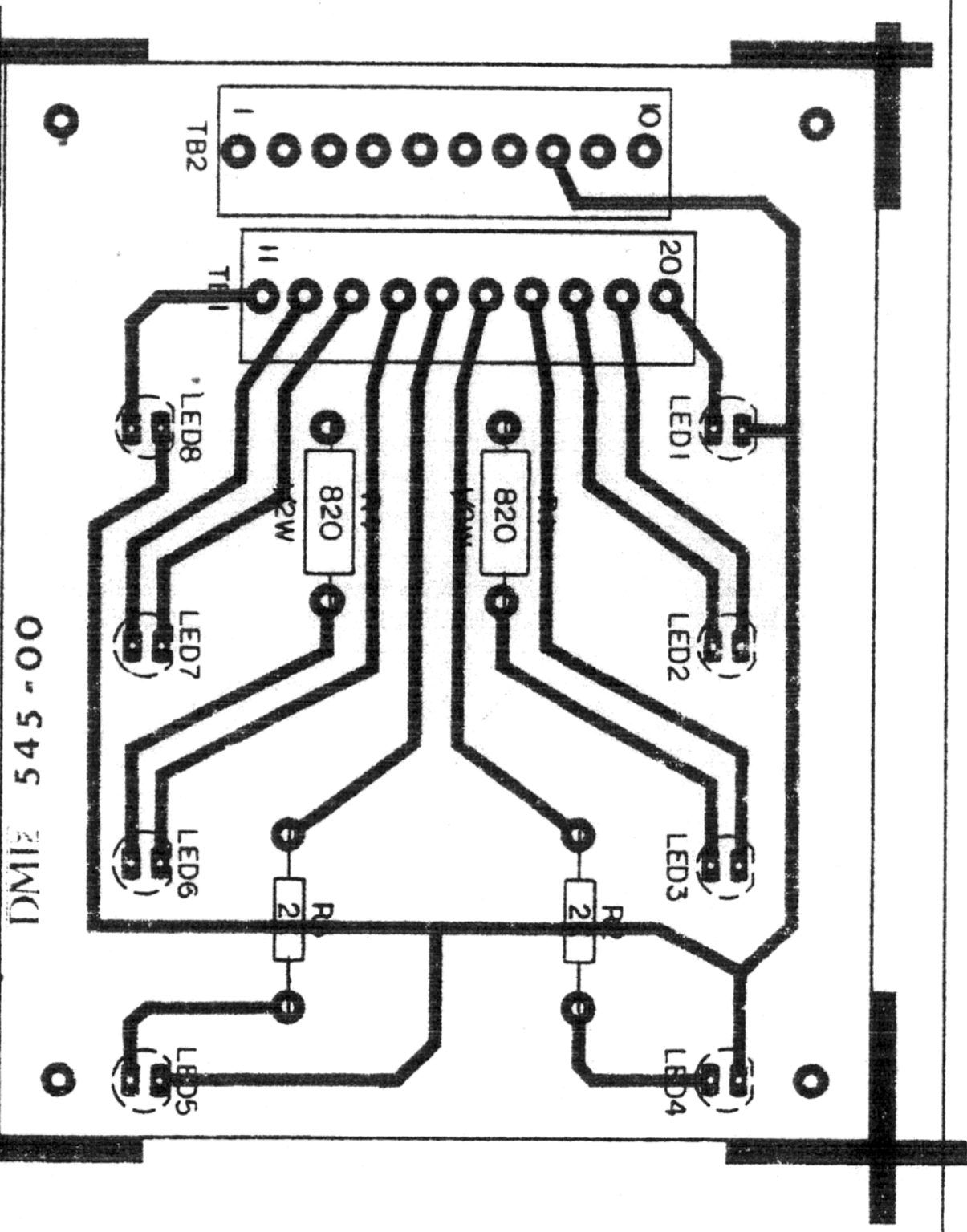
DATE

DALLAS MUSIC INDUSTRIES
 HAWTHORNE, N.J. 07035

DATE: 04/26/82
 DRAWN: JLD
 CHECKED: [Signature]
 TOL: 0.01
 FINISH: 2%

CHEST: HORNOLA 4000 & 5000 SERIES
 POWER AMPLIFIERS
 MAIN WIRING E.A.B.

SCHEMATIC
 21039A1
 SCALE: -- DO NOT SCALE DRAWING



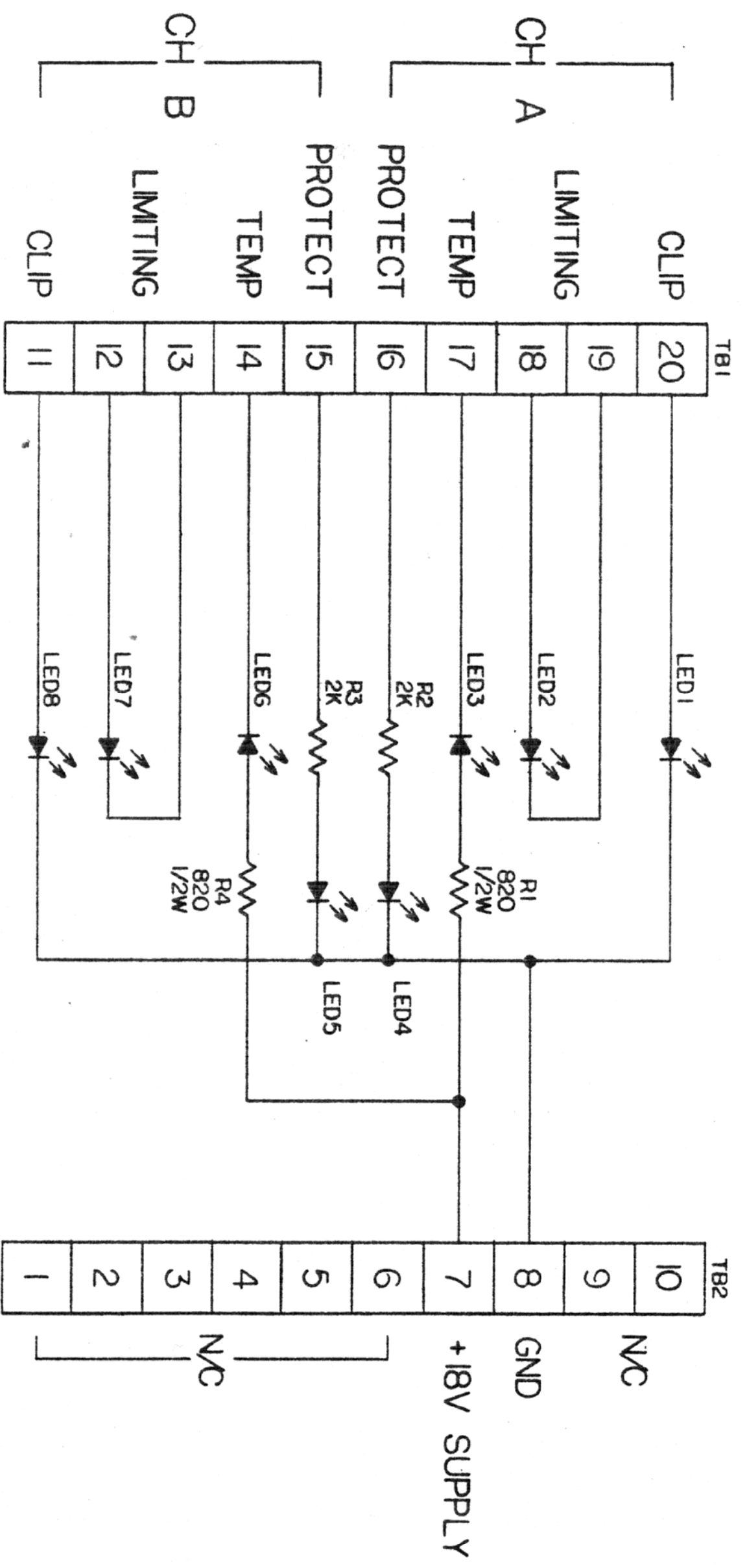
NOTES:
 1) LEDS MOUNT ON SOLDER SIDE
 2) LEDS ARE RED

REV	ECO	DESCRIPTION	DATE

DALLAS MUSIC INDUSTRIES
 HAWTHORNE, N.J. 07506

DWR: JJD	DATE: 04/28/82	CREST:
APP: <i>[Signature]</i>	DATE: <i>[Signature]</i>	MODEL 5001 SERIES POWER AMPLIFIER
TOL: ±.02	Z: ±10	LED PROTECT P.C.B.
ERR: ±.01	FRACT: ±1/64	ASSEMBLY DWG.
MATL:		
FINISH:		

DWG. NO.: 2202545	REV: 00
SCALE: 2:1	DO NOT SCALE DRAWING



LAST REF DES NOT USED

USED

R4

LED8

TB2

REV ECO DESCRIPTION DATE

DALLAS MUSIC INDUSTRIES
HAWTHORNE, N.J. 07506

DWN: JJD DATE: 7/28/82
APP: DATE: 7/28/82
TOL: 1.02 ±1°
FRACT: 1/64

CREST: MODEL 5901 SERIES
POWER AMPLIFIER

LED PROTECT P.C.B.

SCHMATIC

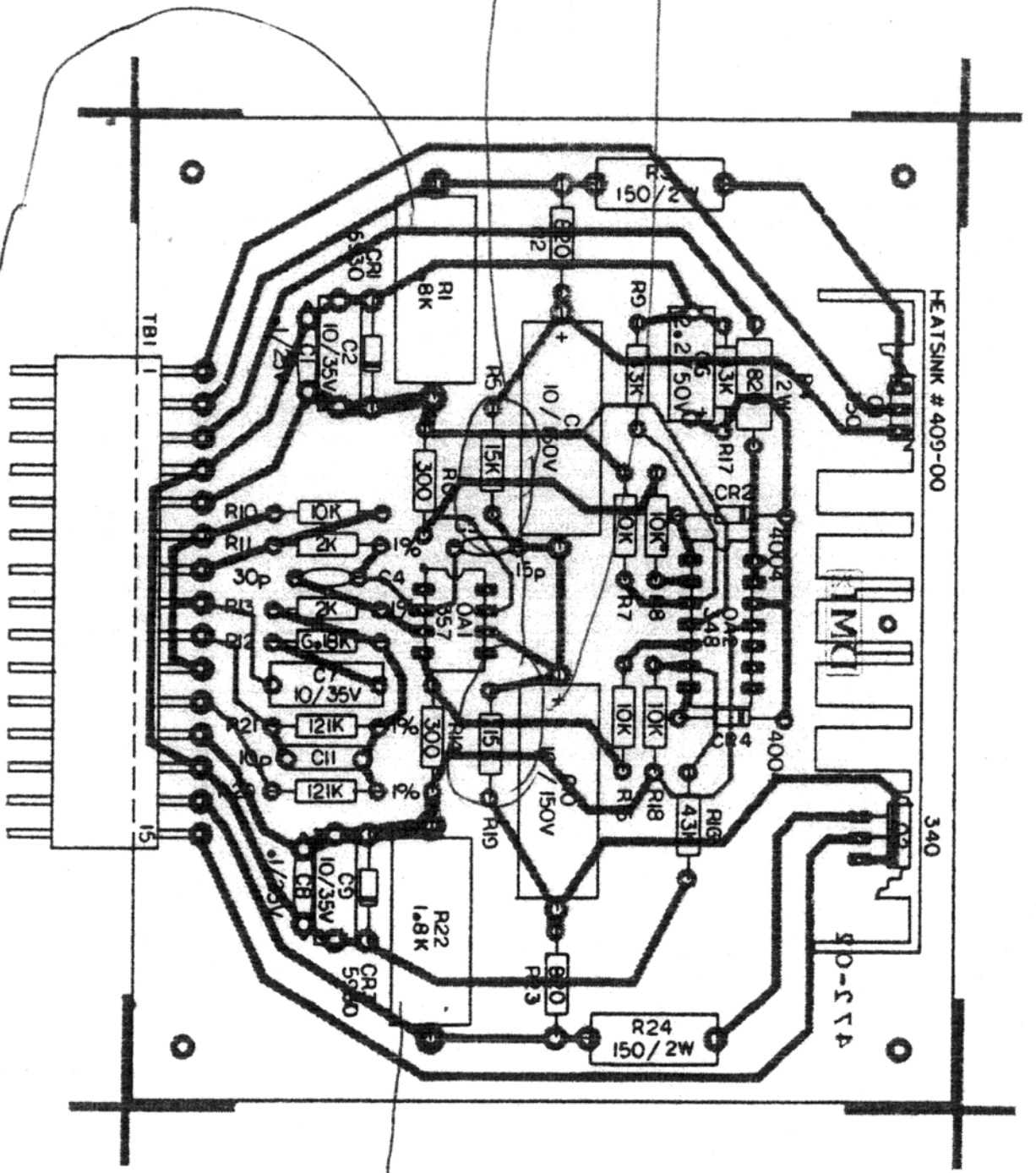
DWG. N.: 2102545

SCALE: -- DO NOT SCALE DRAWING

- NOTES:
- 1) LEDs ARE RED
 - 2) N/C - NO CONNECTION
 - 3) R2 & 3 ARE 1/4W

REV: 00

R5 + R19
15K 1w
Metal oxide



R1 + R22
2K 8w

LAST REF DES NOTES:

USED	NOT USED
R24	
C11	
CR4	
OA2	
O2	

REV ECO DESCRIPTION

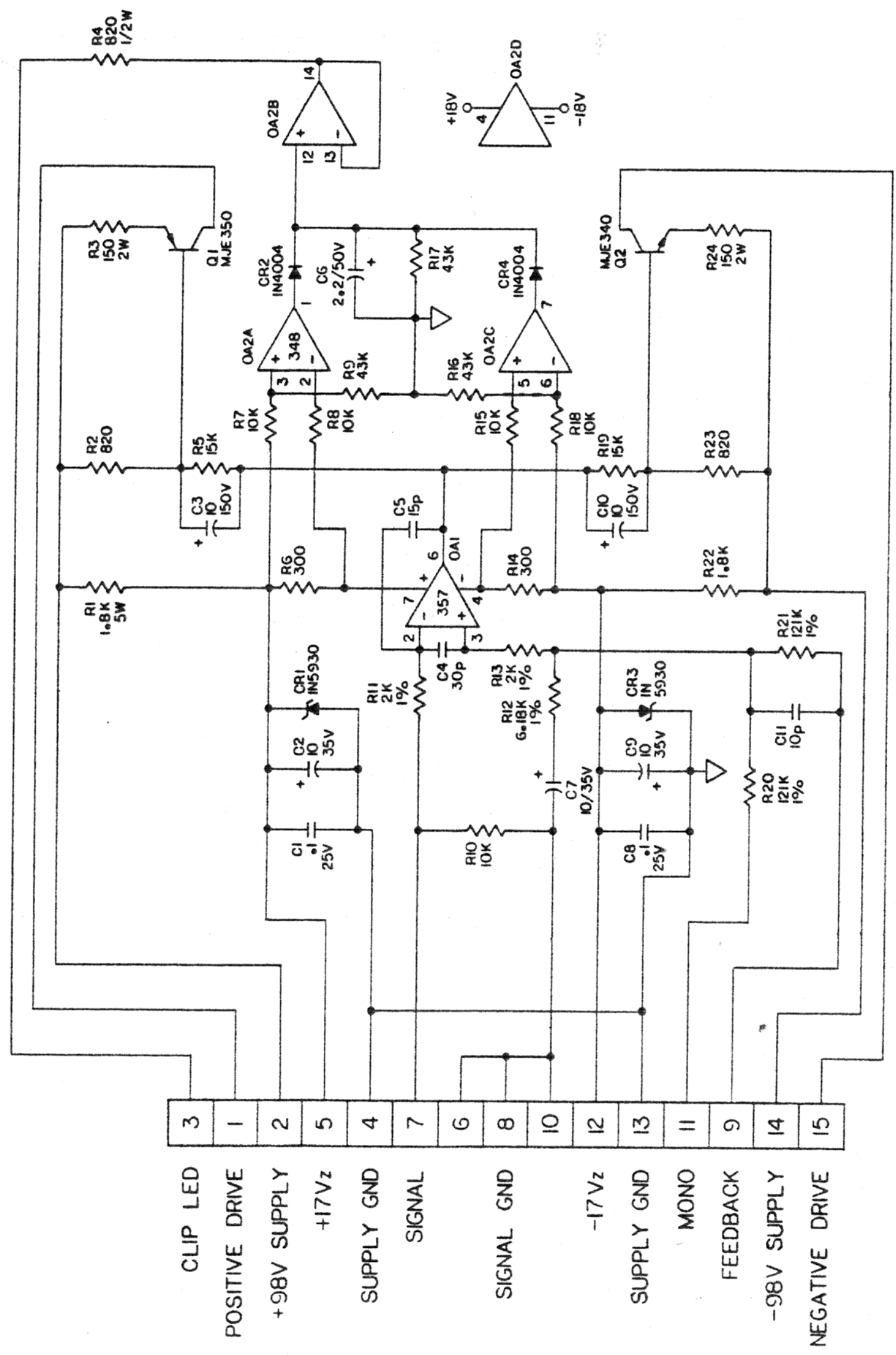
DATE

DALLAS MUSIC INDUSTRIES
HARTSHORNE, N.J. 07128

OWN.	DATE
JPD	7/6/82
APR	7/6/82
TOL	8 3 03
APP	2 1 0
REV	01
FRAC	2 1/4

CREST:
MODELS 5000 & 5001 SERIES
POWER AMPLIFIERS
FRONT END P.C.B.
ASSEMBLY DWG.

DWG NO. 2203472
SCALE 2:1 (DO NOT SCALE DRAWING)



3	CLIP LED
1	POSITIVE DRIVE
2	+98V SUPPLY
5	+17Vz
4	SUPPLY GND
7	SIGNAL
6	SIGNAL GND
8	SIGNAL GND
10	-17Vz
12	SUPPLY GND
13	MONO
11	FEEDBACK
9	-98V SUPPLY
14	SUPPLY GND
15	NEGATIVE DRIVE

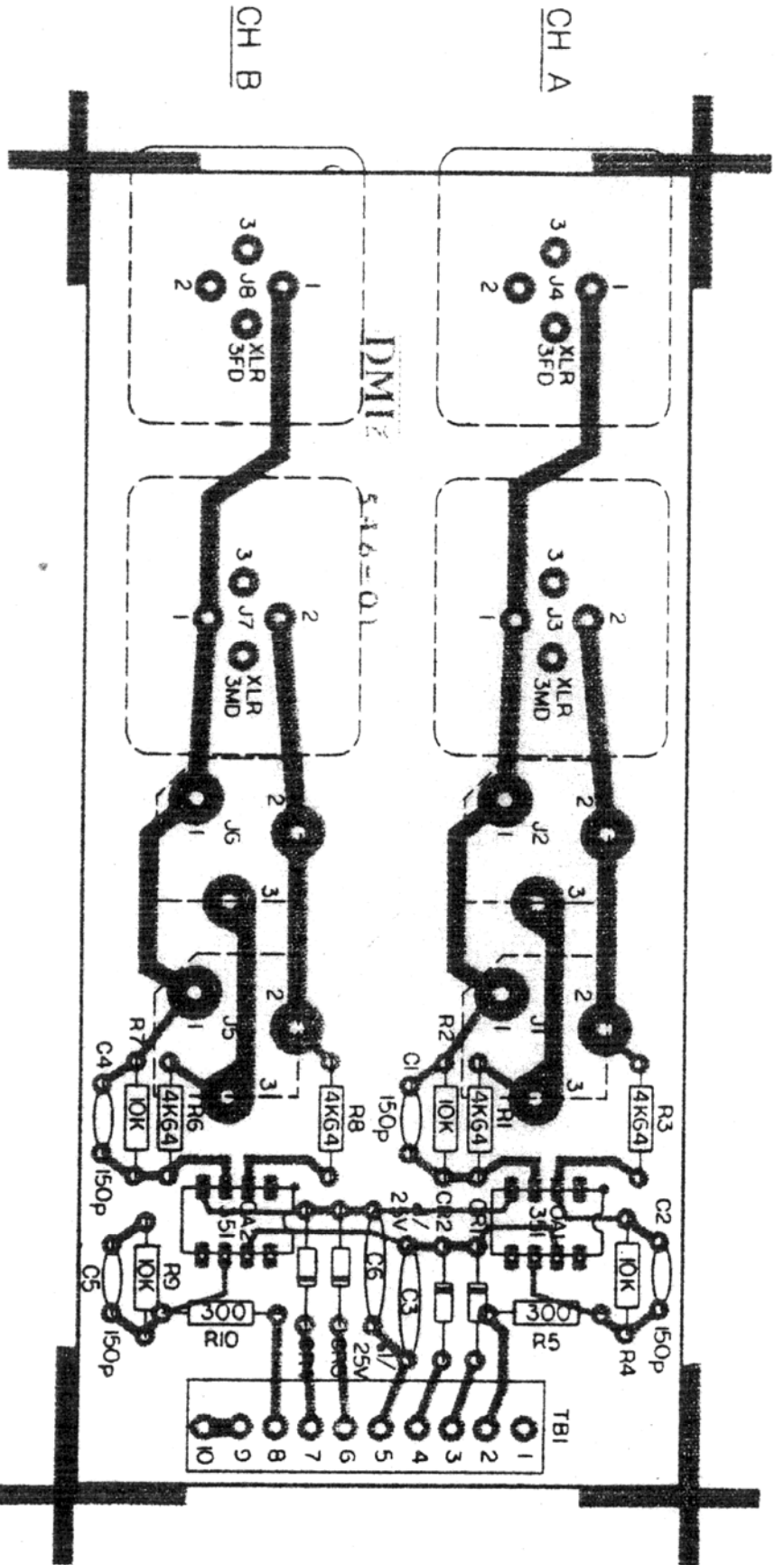
LAST REF DES NOTES:

USED	NOT USED
R24	
C11	
CR4	
OA2	

REV ECO DESCRIPTION

DATE

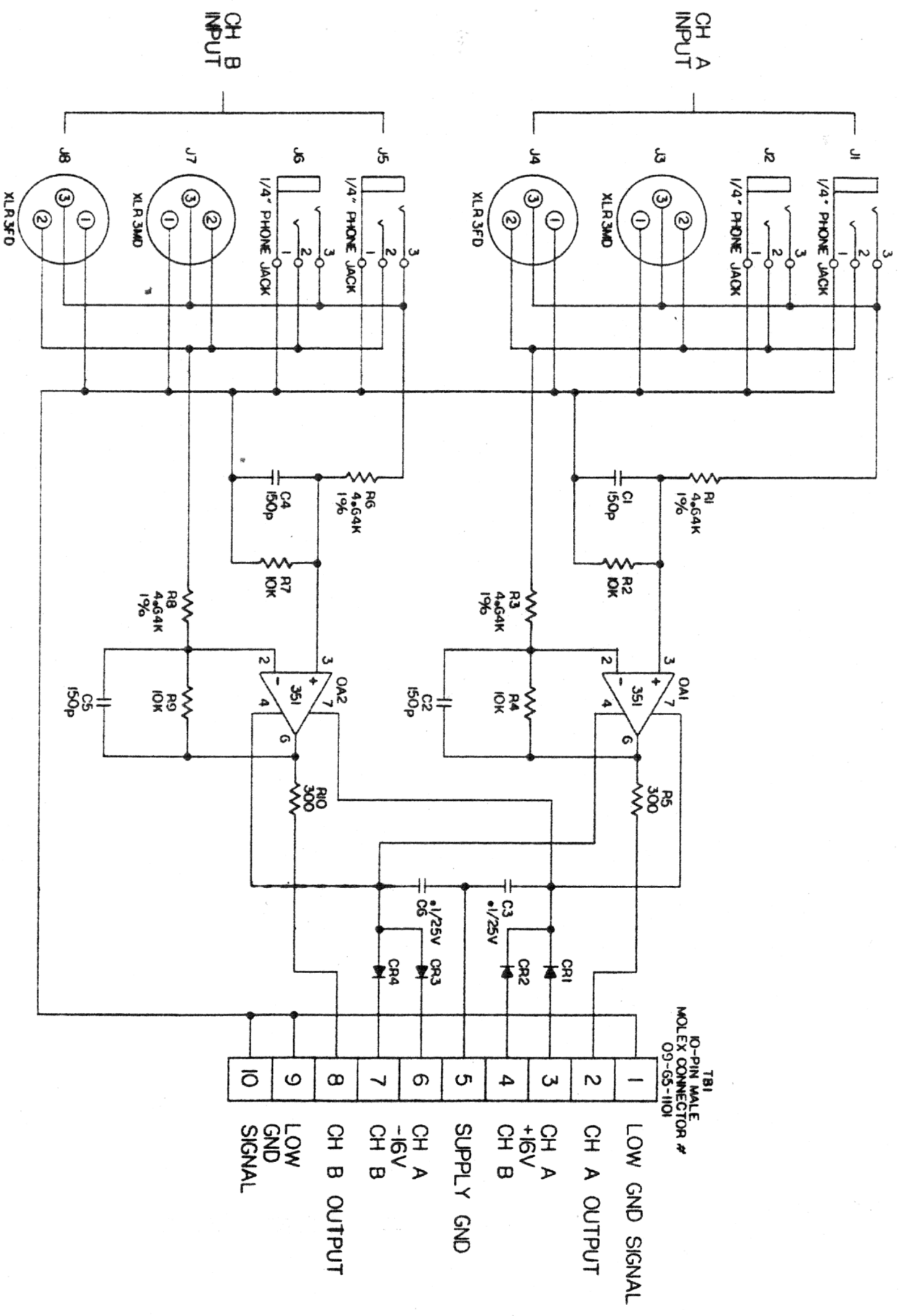
DALLAS MUSIC INDUSTRIES
 HAWTHORNE, N.J. 07606
 OWN: JJD
 DATE: 9/25/82
 APP: [Signature]
 TOL: 2 OR 2.1
 *** 2.01 PRAC 2/64
 CREST: MODELS 5000 & 5001 SERIES POWER AMPLIFIERS
 FRONT END P.C.B.



LAST REF DES	NOT USED	NOTES:	REV	ECO	DATE
USED	USED	1) ALL DIODES, CRI-48 IN4004 2) J1,2,5,6 ARE 1/4" PHONE JACKS, PART NO N112BPC			

DALLAS MUSIC INDUSTRIES HAWTHORNE, N.J. 07086		DATE		DATE		DATE		DATE	
DWG	JJD	DATE	7/7/82	DATE		DATE		DATE	
APP		DATE	7/2/82	DATE		DATE		DATE	
TOL									

MATL									
FINISH		CREST:		MODEL 5000 & 5001 SERIES		POWER AMPLIFIERS		INPUT P.C.B.	
ASSEMBLY DMC.		DWG NO.		2203546		REV		00	
SCALE 2:1		NO NOT SCALE DRAWING							

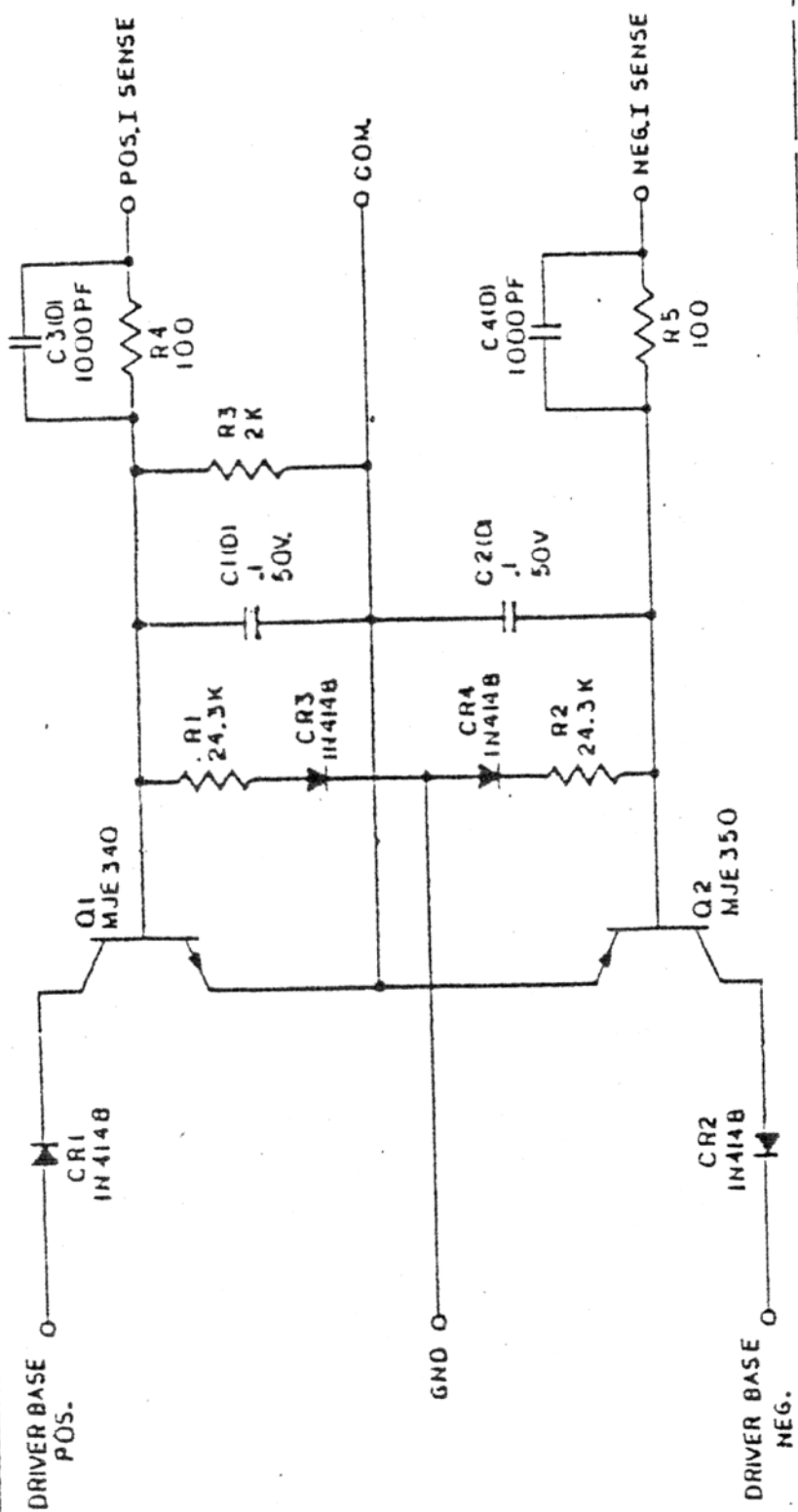


LAST USED	REF DES	NOT USED	NOTES:
			1) 1/4" PHONE JACKS, J1,2,5,6 & NI12BPC
			2) RESISTORS & 1/4W
			3) DIODES IN4004

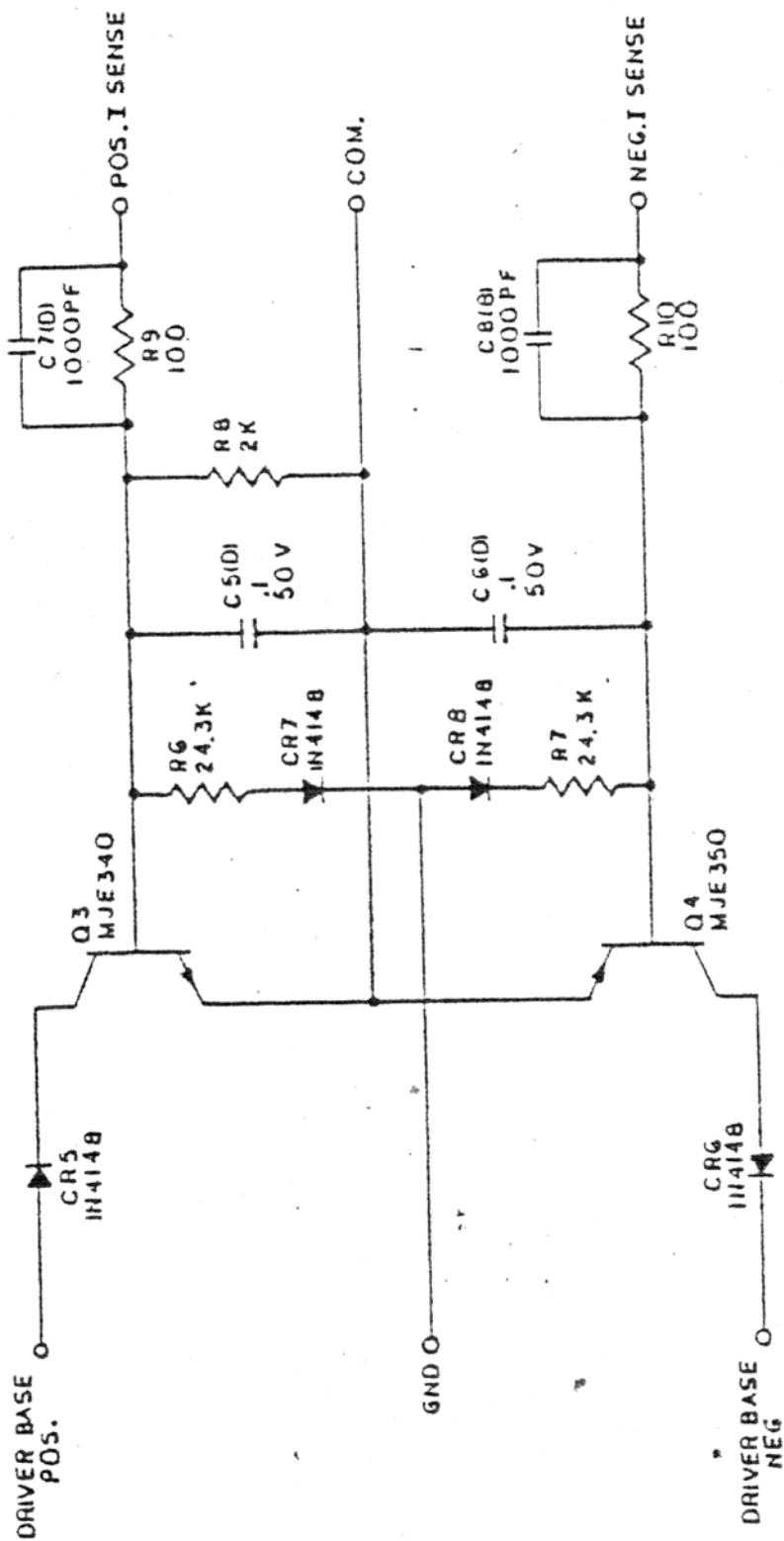
REV	ECO	DESCRIPTION	DATE

OWN	JDB	DATE	9/9/82
APP.		DATE	2-2-82
TOL.			4 51"
PAR.			2 01 PRACT 51/4
MATL.			
FINISH			

DALLAS MUSIC INDUSTRIES	
NAWTHORNE, N.J. 07098	
CREST:	MODEL'S 3000 & 5001 SERIES
	POWER AMPLIFIERS
	LMV1 E.C.L.
DCSERVATEC	
DWG. NO.	2103546
SCALE	DO NOT SCALE DRAWING



CHA A



CHA B

LAST REV DES		NOTES	REV DESCRIPTION	DATE
USED	NOT USED			
C B		1) ALL RESISTORS 1/4W, UNLESS OTHERWISE SPECIFIED 2) ALL CAPACITORS 50V, UNLESS OTHERWISE SPECIFIED		
CR 8				
Q 4				
R 10				

DALLAS MUSIC INDUSTRIES
HAWTHORNE, N.J. 07042

DATE: 8/15/83

APP: J.E.

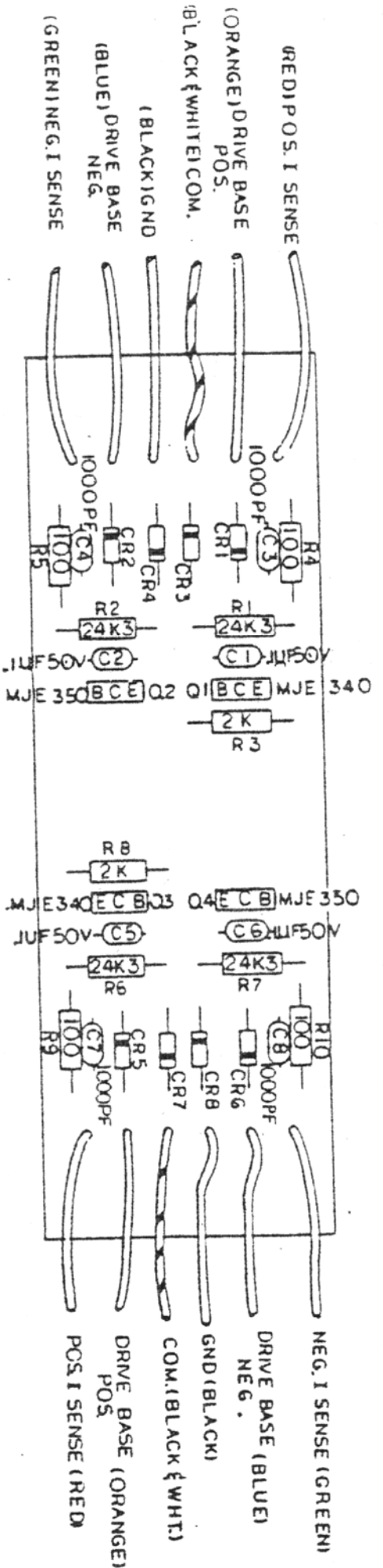
TOL: 1% 1/4 1/4

DATE: 8/15/83

WATE: J

CREST: MODELS 5000/5001 SERIES POWER AMPLIFIERS

V.L.LIMITING P.C.D. SCHEMATIC DWG.



CHA A

CHA B

CCMP, NOT INSTALLED BY
OUTSIDE VENDOR

LAST REV DES.
USED NOT USED

CB
CR8
Q4
R10

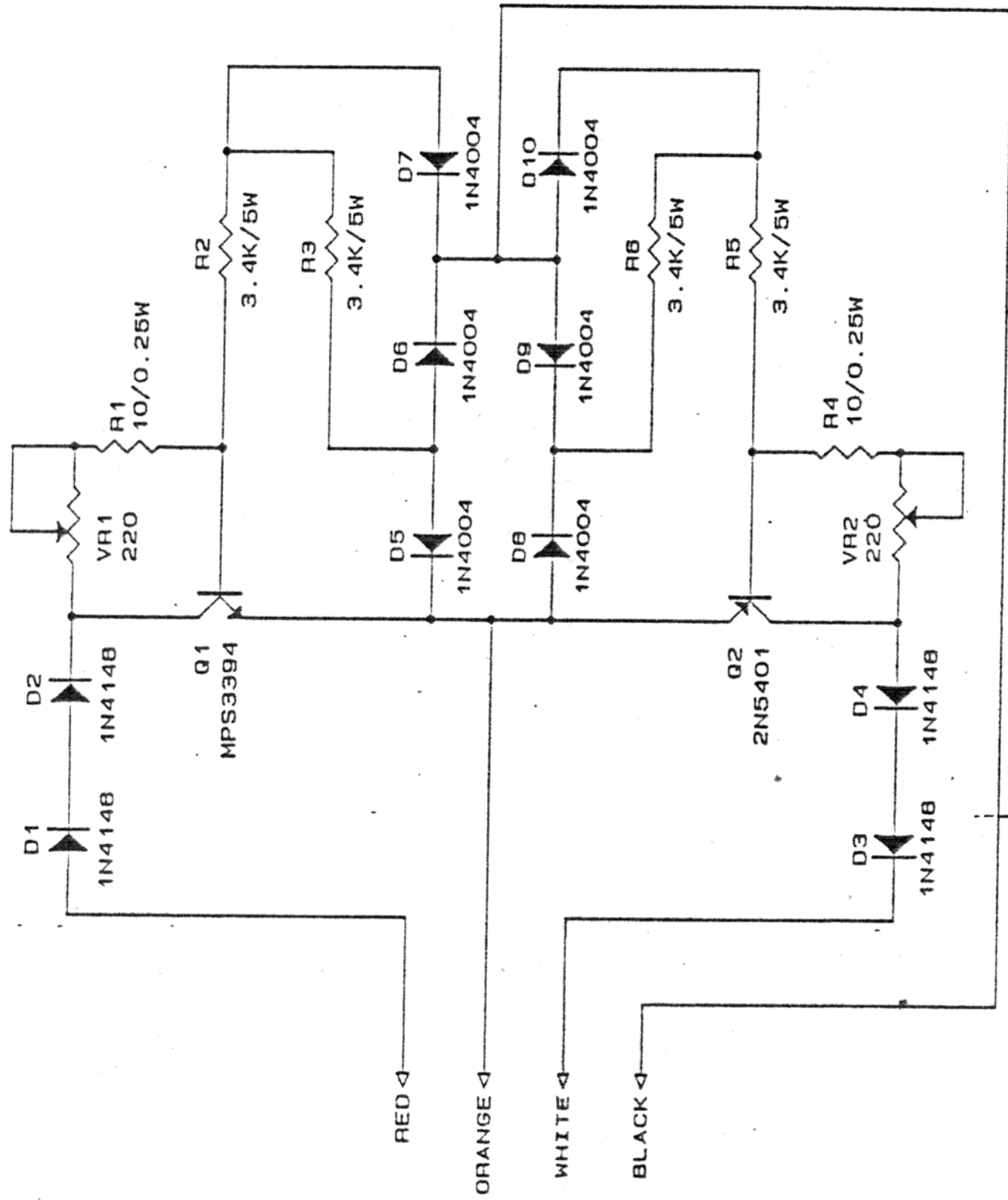
NOTES
1) ALL RESISTORS 1/4W, UNLESS OTHERWISE SPECIFIED
2) ALL DIODES IN 414B, UNLESS OTHERWISE SPECIFIED

REV DESCRIPTION
01 CHANGE Q1 & Q3 FROM MJE 180 TO MJE 340 - Q2 & Q4 FROM MJE 170 TO MJE 350

DATE
10-26-83

DALLAS MUSIC INDUSTRIES
HAWTHORNE, N.J. 07096
DATE: 8/15/83
APP: E.C. DATE: 2/14/84
TOL: 1.0 ± .02
FRAC: 1/64
MATERIAL:
MODEL: 5000/5001 SERIES
POWER AMP. PLATE
V.L. LITTING P.C.B.
ASSEMBLY DMG.
DWG NO.: 2205610
SCALE: 2:1 DO NOT SCALE DRAWING

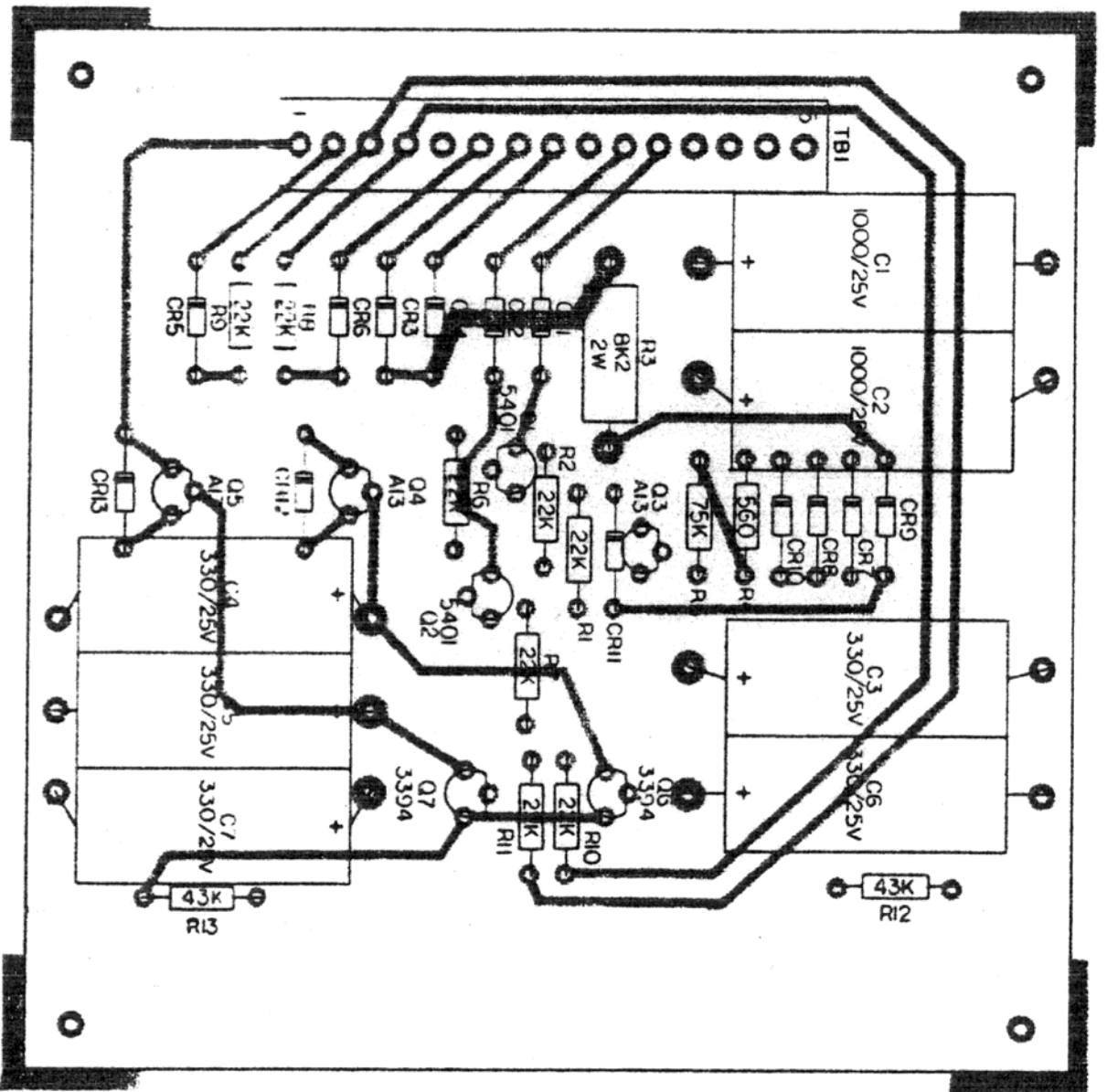
REV: 01



CREST AUDIO	
HAWTHORNE, NJ 07608	
Title	5000/5001 2 OHM LIMITER PCB
Size	A
Document Number	2101610
REV	01
Date:	Apr 11 1989
Sheet	1 of 1

8 7 6 5 4 3 2 1

8 7 6 5 4 3 2 1



LAST REF DES

USED	NOT USED

NOTES:
 1) ALL DIODES IN4004
 2) UNSPECIFIED RESISTORS 1/4W

REV ECO DESCRIPTION

DATE

DALLAS MUSIC INDUSTRIES
 HAWTHORNE, N.J. 07068

DATE 8/9/82

DATE 8/9/82

DATE 8/9/82

DATE 8/9/82

DATE 8/9/82

DATE 8/9/82

DATE 8/9/82

CREST:

MODELS 5000 & 5001 SERIES
 POWER AMPLIFIERS

RELAY/PROTECT P.C.B.

SCHEMATIC

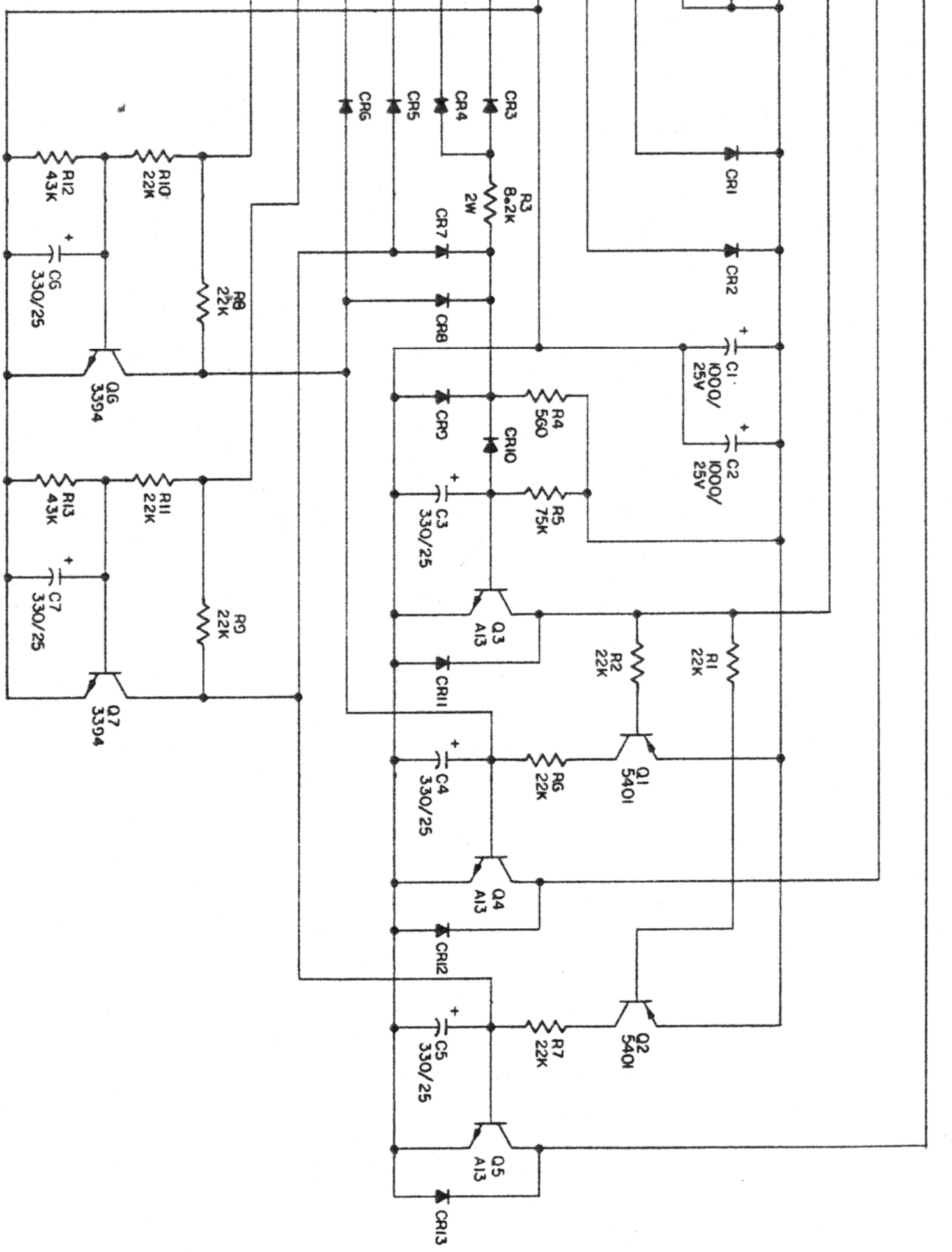
DWG. NO. 2203553

SCALE 2:1 DO NOT SCALE DRAWINGS

REV 00

- CH. A RELAY
- CH. B RELAY
- SURGE RELAY
- CH. A/B RELAY
- SURGE RELAY
- +17V METER SUPPLY
- CH. A 12VAC
- CH. B 12VAC
- GND
- CH. A -98V SUPPLY
- CH. B -98V SUPPLY
- CH. A TEMP
- CH. B TEMP
- CH. A PROTECT
- CH. B PROTECT

- 1
- 5
- 9
- 12
- 13
- 14
- 11
- 10
- 15
- 7
- 8
- 2
- 6
- 3
- 4
- T81



LAST REF DES NOT USED

- 1) ALL DIODES IN4004
- 2) UNSPECIFIED RESISTORS 1/4W

REV ECO DESCRIPTION

DATE

DALLAS MUSIC INDUSTRIES
MAYTOWN, N.J. 07088

OWN: JMD
APP: JMD
DATE: 8/29/82
TOL: 1.02
FRAC: 2/64
MATERIAL: RELAY/PROTECT E.C.B.

SCHEMATIC
DWG. NO.: 210353
SCALE: -- 90 NOT SCALE DRAWING