

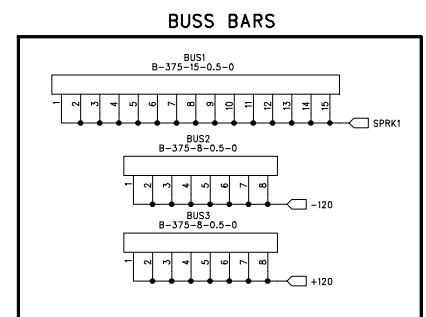
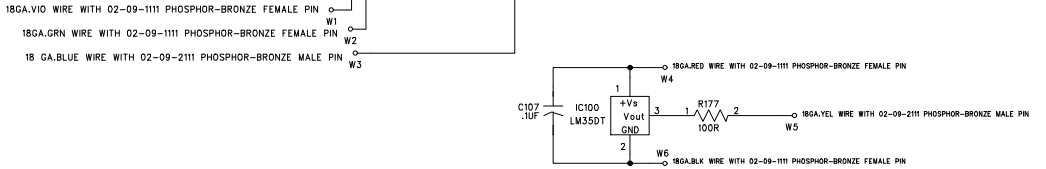
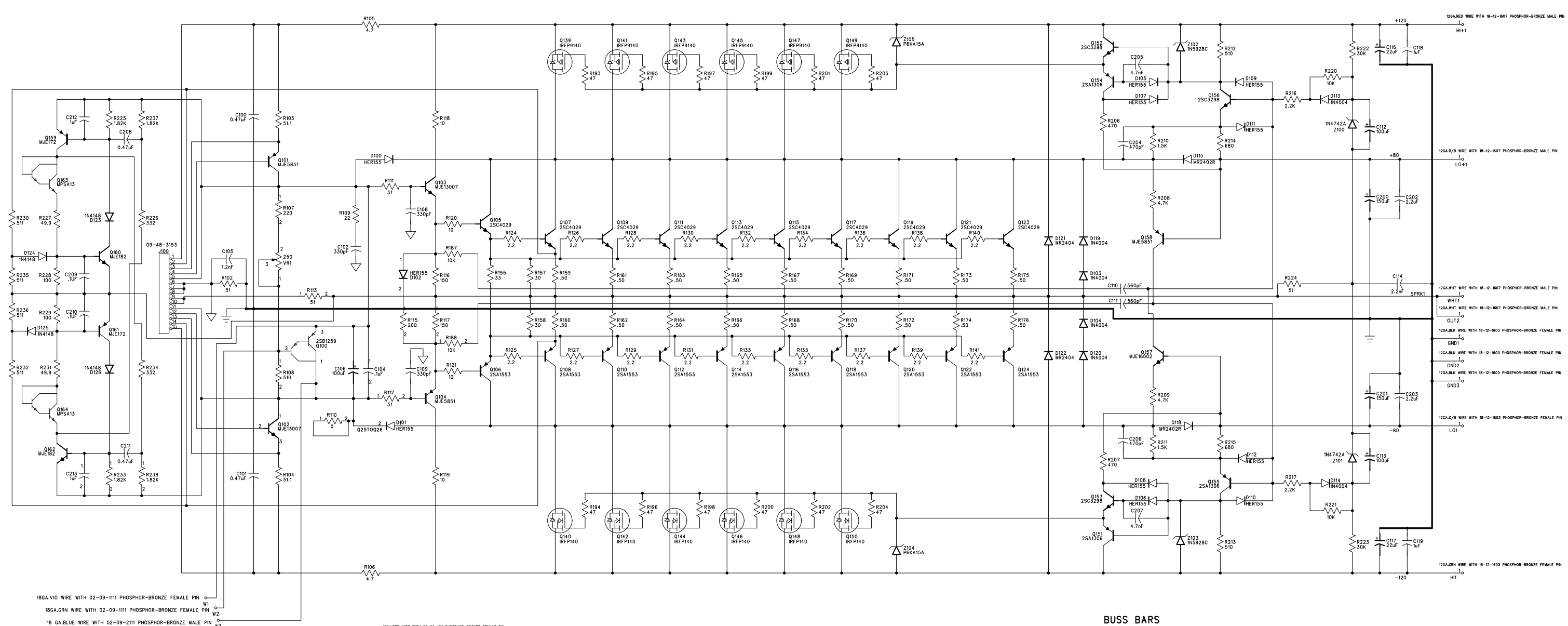


Pro Series 9001 power amplifiers

May 2000 (current production)

1. New Output module (1996 +)
2. New Preamp (1996 +)
3. New Power supply cap board
4. New Power supply auxiliary board
5. Early Power supply
6. Inrush board rev 3
7. Inrush board rev 4
8. Zobel board
9. Harness adaptor

REVISION RECORD			
LTR	ECO NO:	APPROVED:	DATE:



REV. NOTES

1. 9/9/94 ADDED D119, D120
2. 9/9/94 CHANGED D103, D104 TO 1N4004
3. 9/9/94 CHANGED R224 TO 51R/1W M.O.
4. 9/9/94 ADDED D121, D122 DIODES INC. 6A4
5. 9/9/94 CHANGED R159 THRU R172 FROM 5 WATT TO 7 WATT
6. 11/21/94 CORRECTED D121, D122 TO MR2404
7. 11/21/94 CORRECTED POLARITY OF Z104, Z105
8. 12/12/94 ADDED CAPS AND DIODES TO JED CIRCUIT
9. 12/15/94 CHANGED ALL 0.33/7W RESISTORS TO 0.5/7W RESISTORS
10. 12/15/94 CHANGED R214, R215 FROM 1.5K/2W TO 680R/2W
11. 12/15/94 CHANGED R210, R211 FROM 1K/2W TO 1.5K/2W
12. 1/12/95 REVISE JED CKT VALUES
13. 2/2/95 REVISE JED CKT AND ADDED C212, C213 1uF/63V
14. 3/20/95 ADDED D129, D130 1N4148
15. 5/9/00 UPDATED DRAWING TO CURRENT REVISION LEVEL

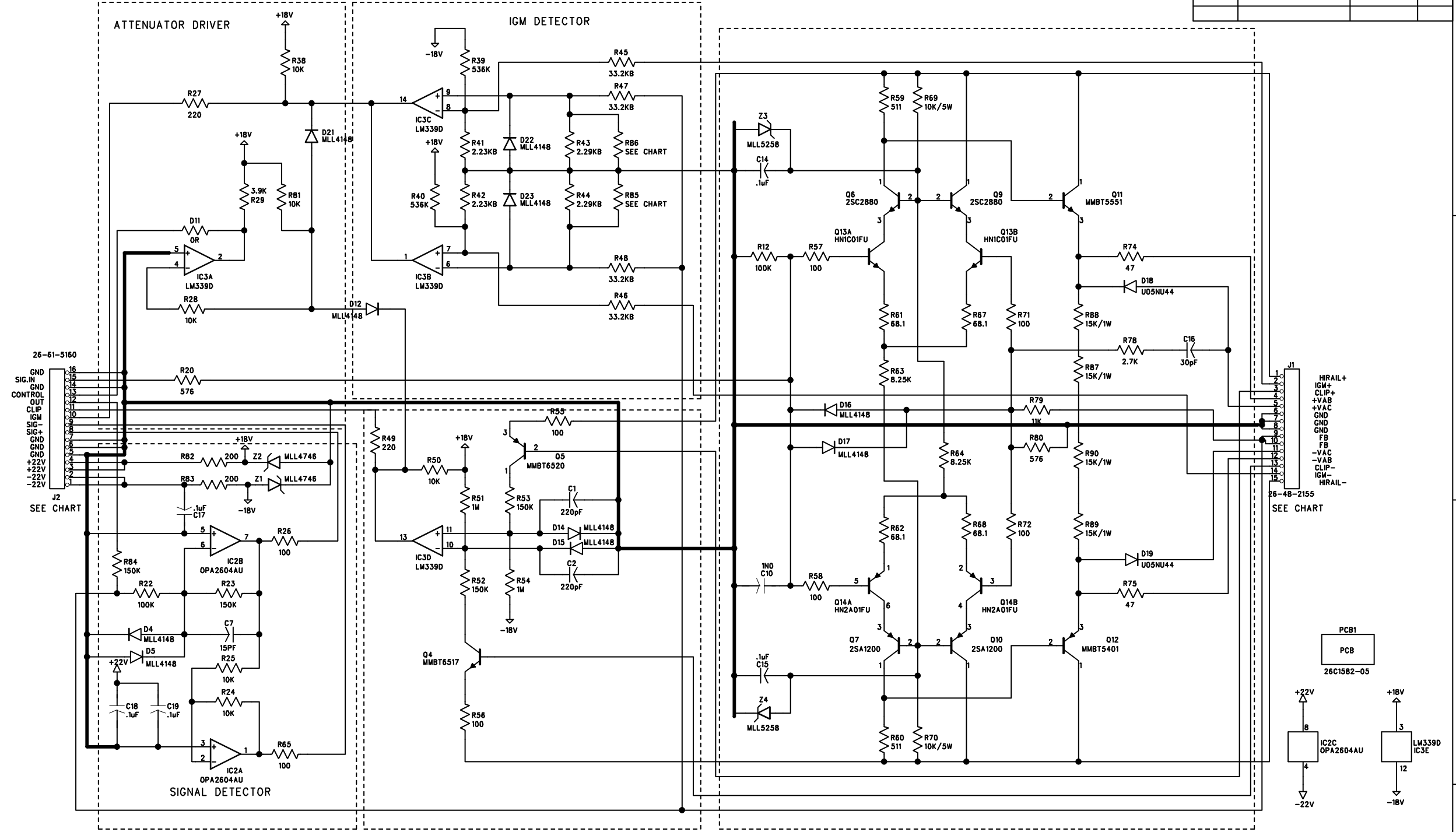


TITLE: 9001 OUTPUT MODULE

DRAWN:	DATED:	CODE:	SIZE:	DRAWING NO:	REV:
CHECKED:	DATED:	SCALE:	SHEET: OF		
QUALITY CONTROL:	DATED:				
RELEASED:	DATED:				

6 5 4 3 2 1

REVISION RECORD			
LTR	ECO NO:	APPROVED:	DATE:



NOTES

- REF DES OF PARTS CHANGED FOR CLAIR BROTHERS R20 AND R80
- ADDED D11
- REPLACED D11 WITH 0 OHM JUMPER
- 5/9/00 DRAWING BROUGHT UP TO CURRENT LEVEL



TITLE: 9001 PREAMP			
DRAWN: LAP	DATED: 1/96	CODE:	REV: 04
CHECKED:	DATED:	SIZE: C	DRAWING NO:
QUALITY CONTROL:	DATED:	SCALE:	SHEET: 1 OF 1
RELEASED:	DATED:		

6

5

4

3

2

1

REVISION RECORD			
LTR	ECO NO:	APPROVED:	DATE:

D

D

C

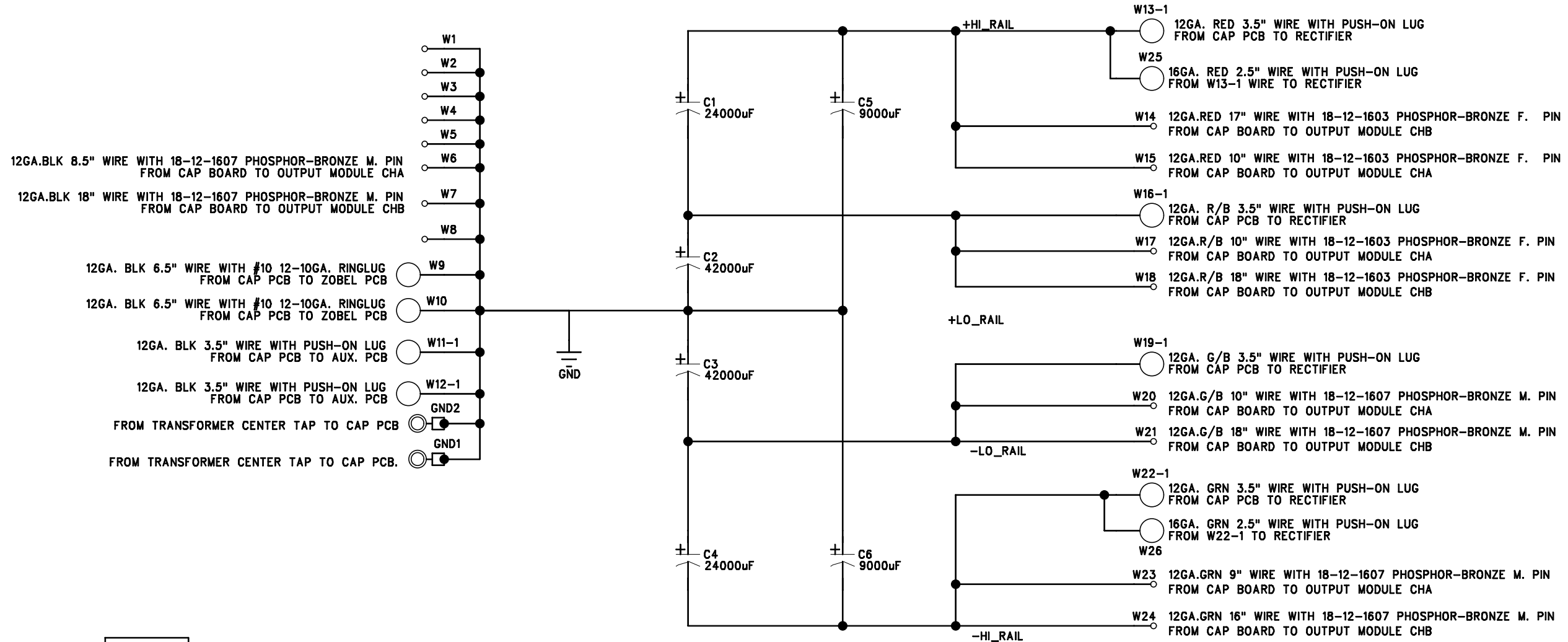
C

B

B

A

A



PCB1
PCB

CON1
CONNECTOR
03-12-1062

CON2
CONNECTOR
03-12-1062

COMPANY: CREST AUDIO

TITLE: 9K1 POWER SUPPLY CAP BOARD

DRAWN: LAP	DATED: 4/96
CHECKED:	DATED:
QUALITY CONTROL:	DATED:
RELEASED:	DATED:

CODE:	SIZE:	DRAWING NO:	REV:
SCALE:			SHEET: 1 OF 1

6

5

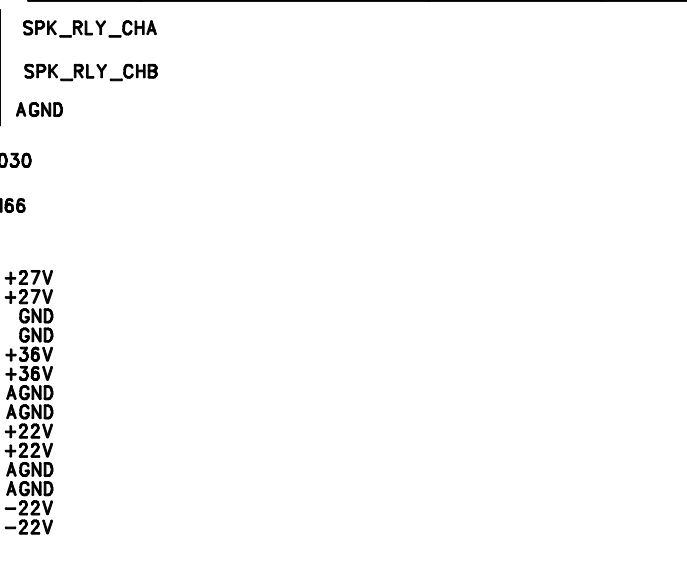
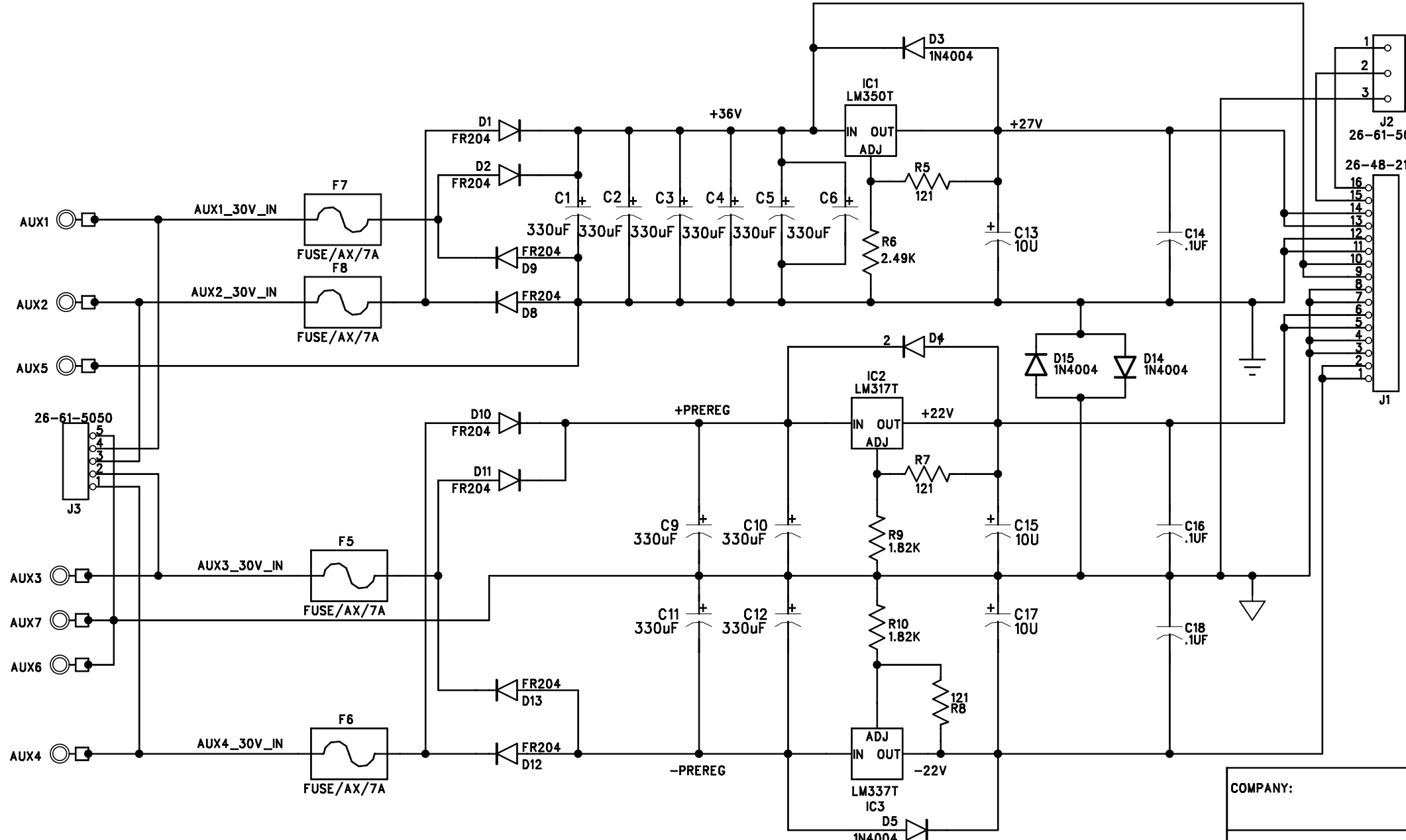
4

3

2

1

REVISION RECORD			
LTR	ECO NO:	APPROVED:	DATE:



COMPANY:				CREST AUDIO			
TITLE:				9K1 SUB PCB			
DRAWN: LAP	DATED: 2/96	CODE:	SIZE: B	DRAWING NO:		REV: 00	
CHECKED:	DATED:	QUALITY CONTROL:	DATED:	SCALE:		SHEET: 1 OF 2	
RELEASED:	DATED:						

D

C

B

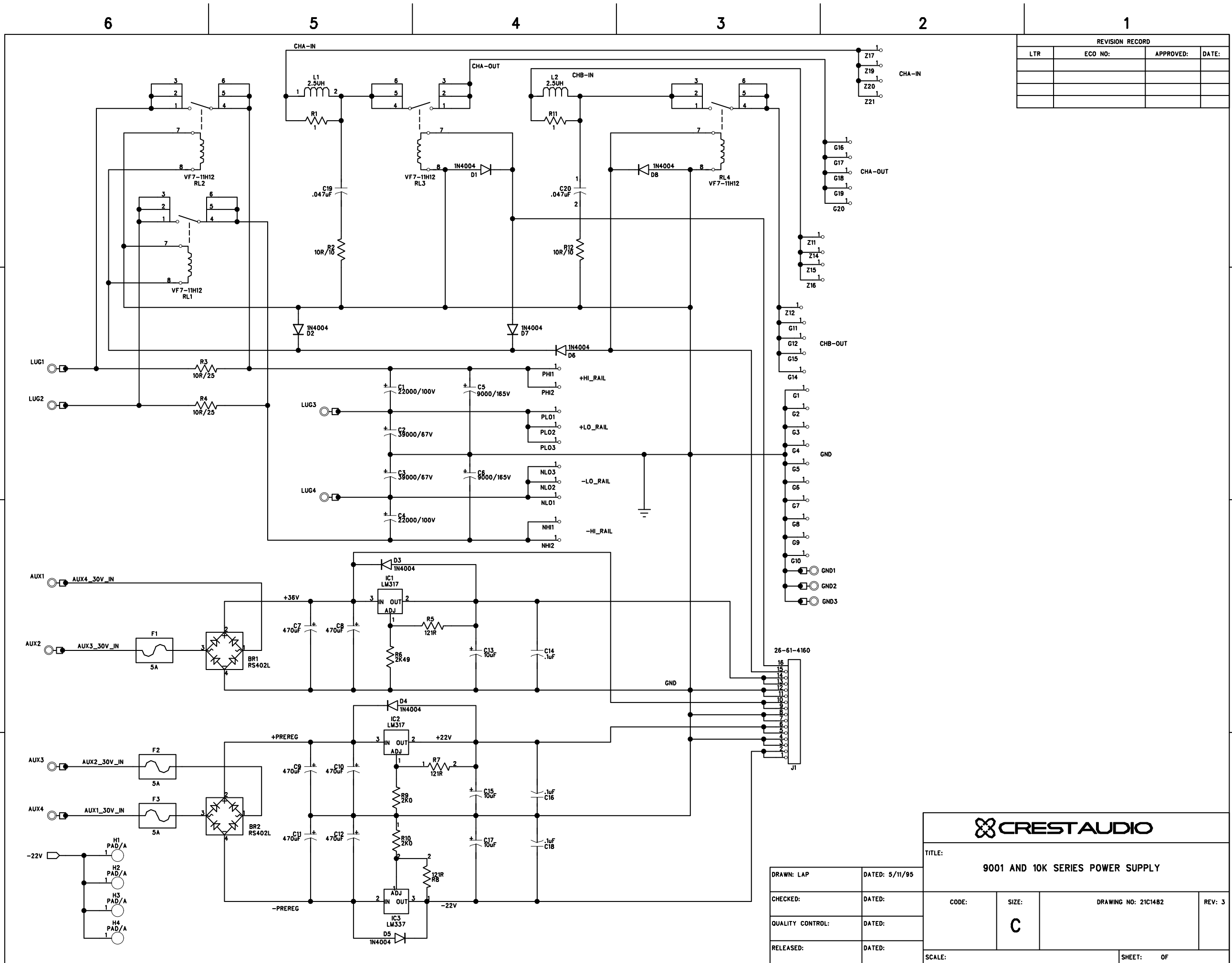
A

D

C

B

A

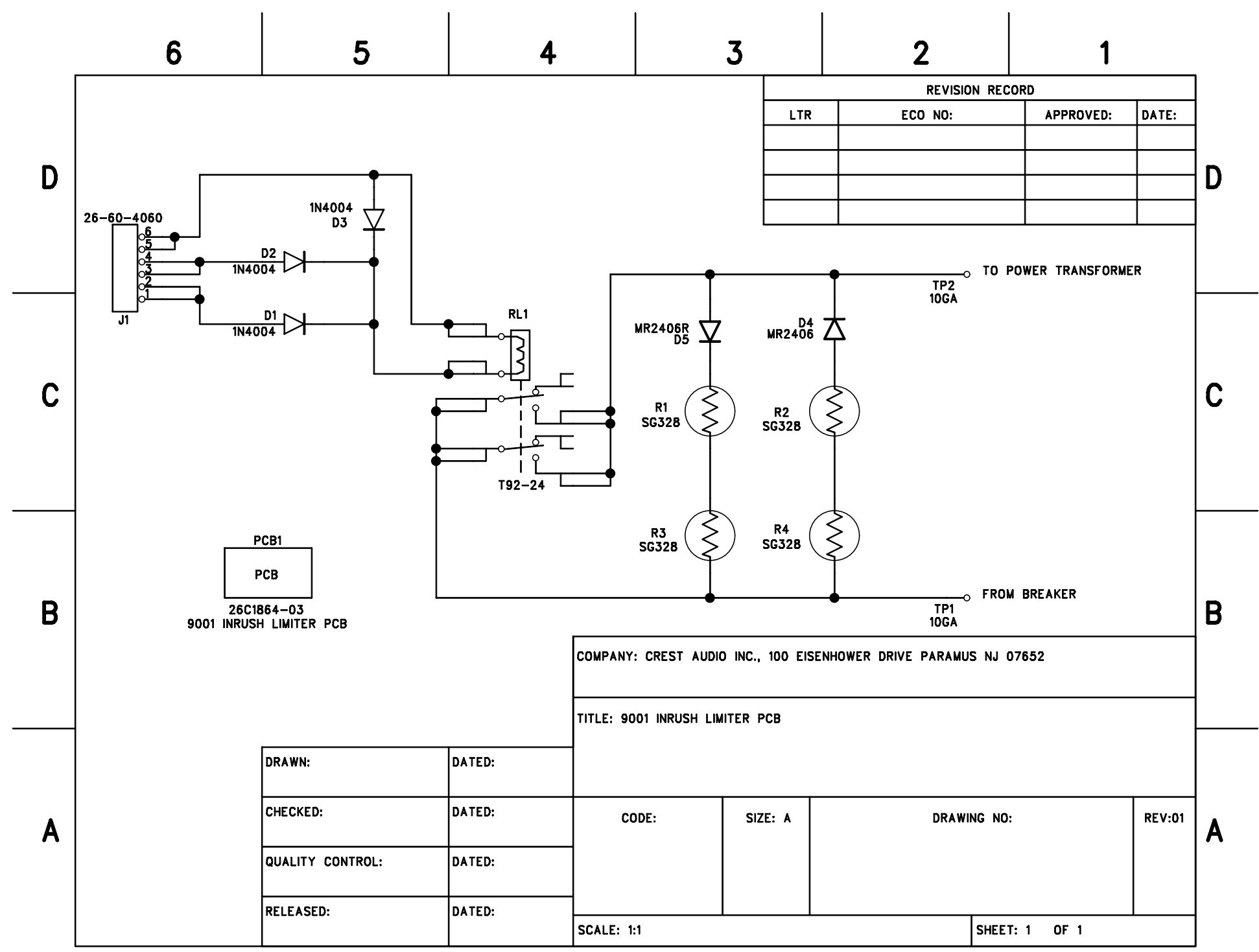


REVISION RECORD			
LTR	ECO NO:	APPROVED:	DATE:

CREST AUDIO

TITLE: **9001 AND 10K SERIES POWER SUPPLY**

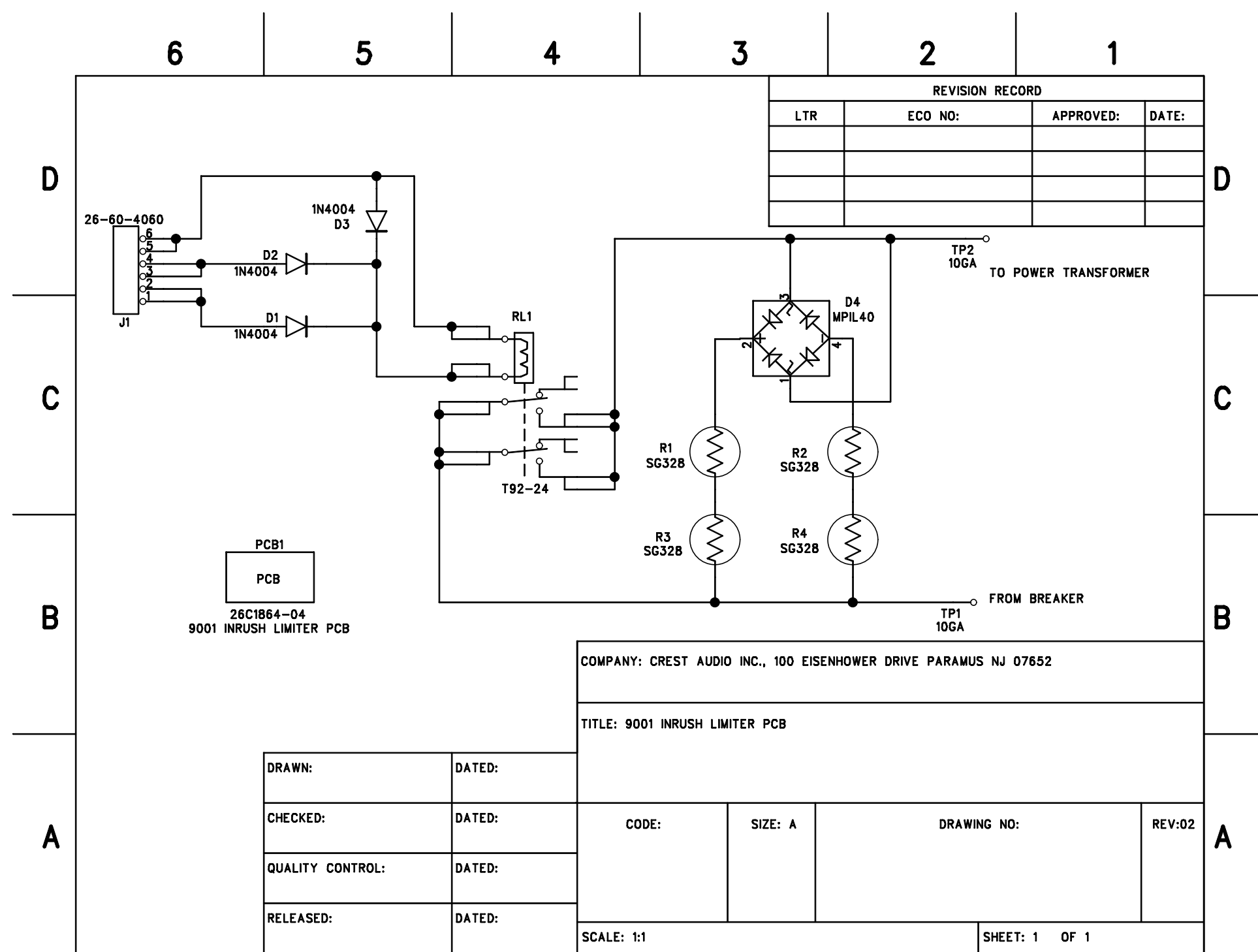
DRAWN: LAP	DATED: 5/11/95	CODE:	SIZE: C
CHECKED:	DATED:	DRAWING NO: 21C1482	
QUALITY CONTROL:	DATED:	REV: 3	
RELEASED:	DATED:	SCALE:	SHEET: OF



REVISION RECORD			
LTR	ECO NO:	APPROVED:	DATE:

PCB1
PCB
26C1864-03
9001 INRUSH LIMITER PCB

COMPANY: CREST AUDIO INC., 100 EISENHOWER DRIVE PARAMUS NJ 07652			
TITLE: 9001 INRUSH LIMITER PCB			
DRAWN:	DATED:	CODE:	REV:01
CHECKED:	DATED:	SIZE: A	DRAWING NO:
QUALITY CONTROL:	DATED:		
RELEASED:	DATED:		
SCALE: 1:1			SHEET: 1 OF 1



REVISION RECORD			
LTR	ECO NO:	APPROVED:	DATE:

COMPANY: CREST AUDIO INC., 100 EISENHOWER DRIVE PARAMUS NJ 07652

TITLE: 9001 INRUSH LIMITER PCB

DRAWN:	DATED:
CHECKED:	DATED:
QUALITY CONTROL:	DATED:
RELEASED:	DATED:

CODE:	SIZE: A	DRAWING NO:	REV:02
-------	---------	-------------	--------

6

5

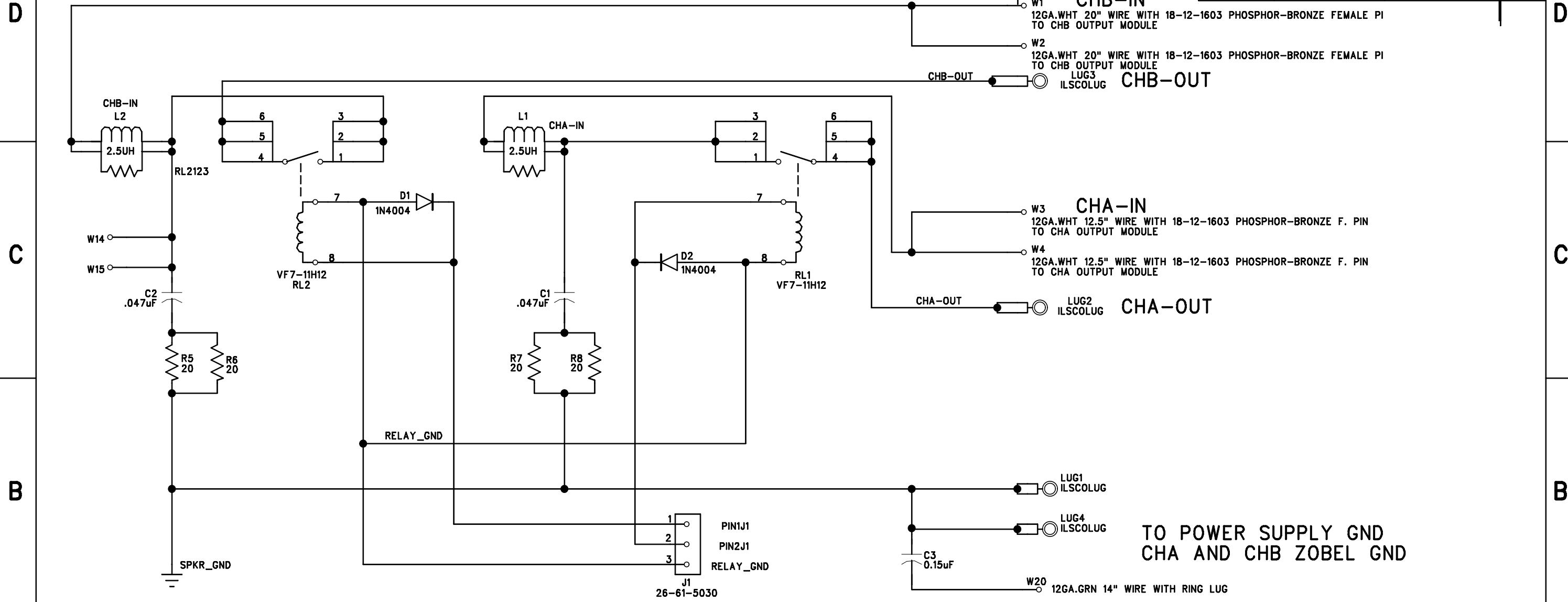
4

3

2

1

REVISION RECORD			
LTR	ECO NO:	APPROVED:	DATE:



CON1
CONNECTOR
03-12-2022

CON2
CONNECTOR
03-12-2022

COMPANY:

TITLE:
9001 ZOBEL

DRAWN:	DATED:
CHECKED:	DATED:
QUALITY CONTROL:	DATED:
RELEASED:	DATED:

CODE:	SIZE:	DRAWING NO:	REV:
SCALE:		SHEET: OF	

6 5 4 3 2 1

REVISION RECORD			
LTR	ECO NO:	APPROVED:	DATE:

D

D

C

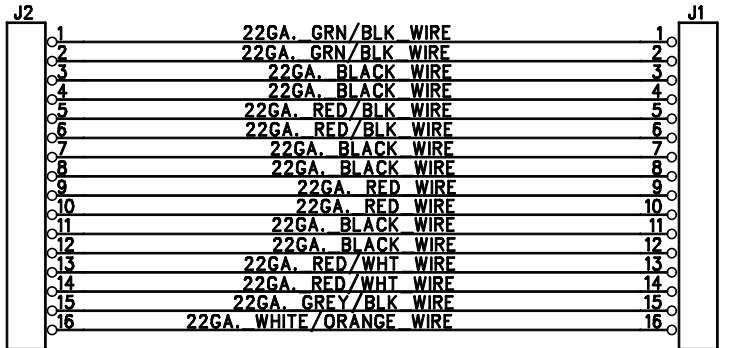
C

B

B

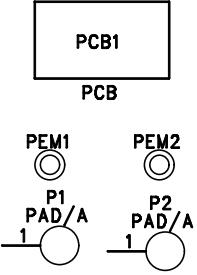
A

A



26-61-4160

26-61-4160



COMPANY: CREST AUDIO

TITLE: 9K1 HARNESS ADAPTER PCB

DRAWN: LAP	DATED: 3/26/96
CHECKED:	DATED:
QUALITY CONTROL:	DATED:
RELEASED:	DATED:

CODE:	SIZE: A	DRAWING NO:	REV: 00
-------	---------	-------------	---------

SCALE: SHEET: 1 OF 1