

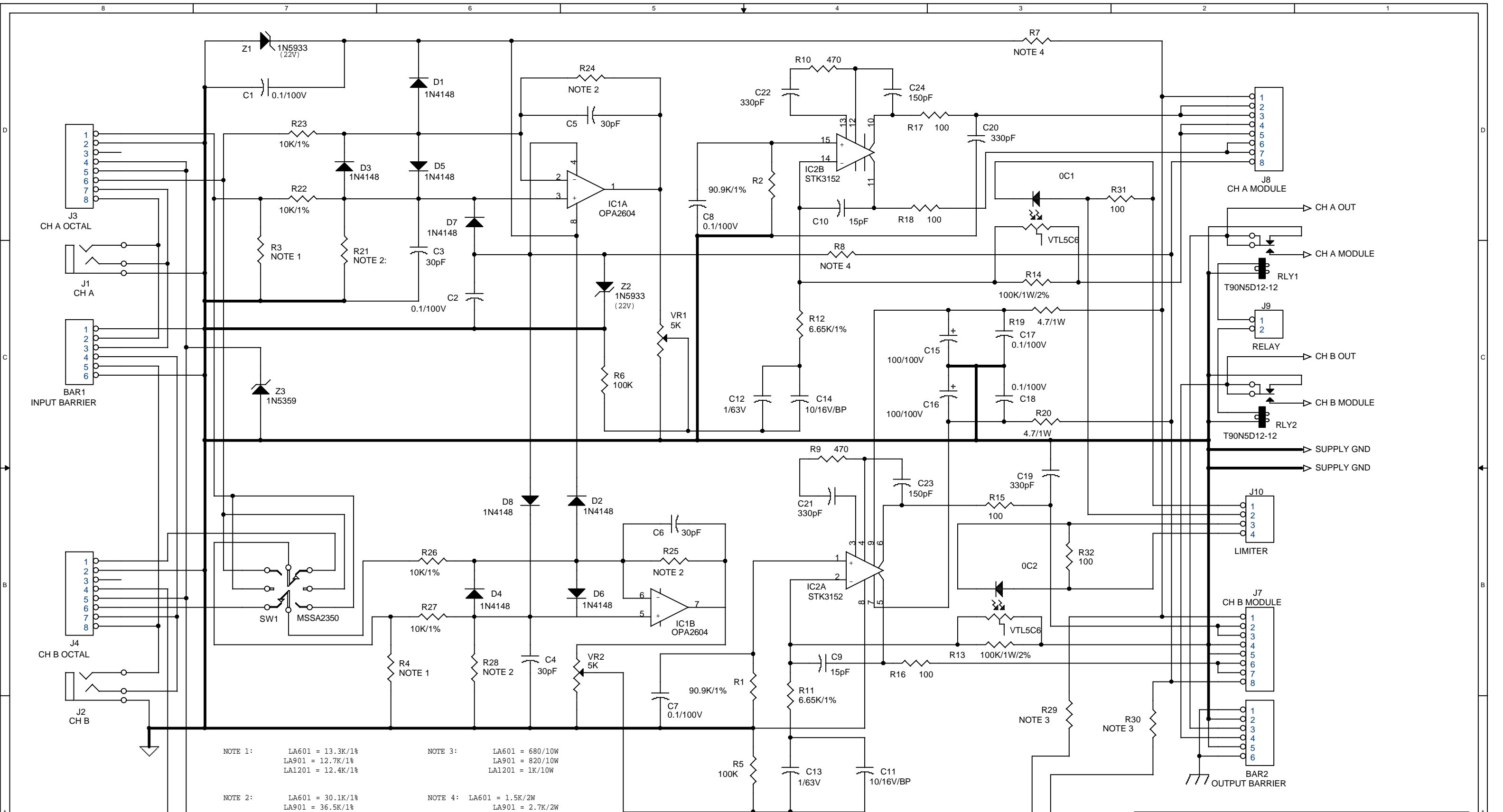


Schematic set

LA Series power amplifiers

1. LA 601 / 901 / 1201 Preamp
2. LA 601 Power supply
3. LA 901 / 1201 Power supply
4. LA 601 Output stage
5. LA 901 Output stage
6. LA 1201 Output stage

Note: The images in this schematic set are formatted for printing on 11" X 17" tabloid size paper. The schematic set can be printed on 8.5" X 11" paper by using the "Shrink to fit" option in Adobe Acrobat reader, however some of the details will be very small.



NOTE 1: LA601 = 13.3K/1%
 LA901 = 12.7K/1%
 LA1201 = 12.4K/1%

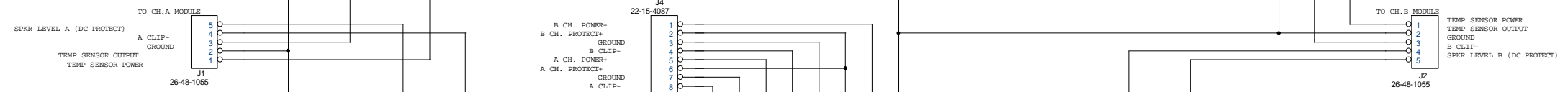
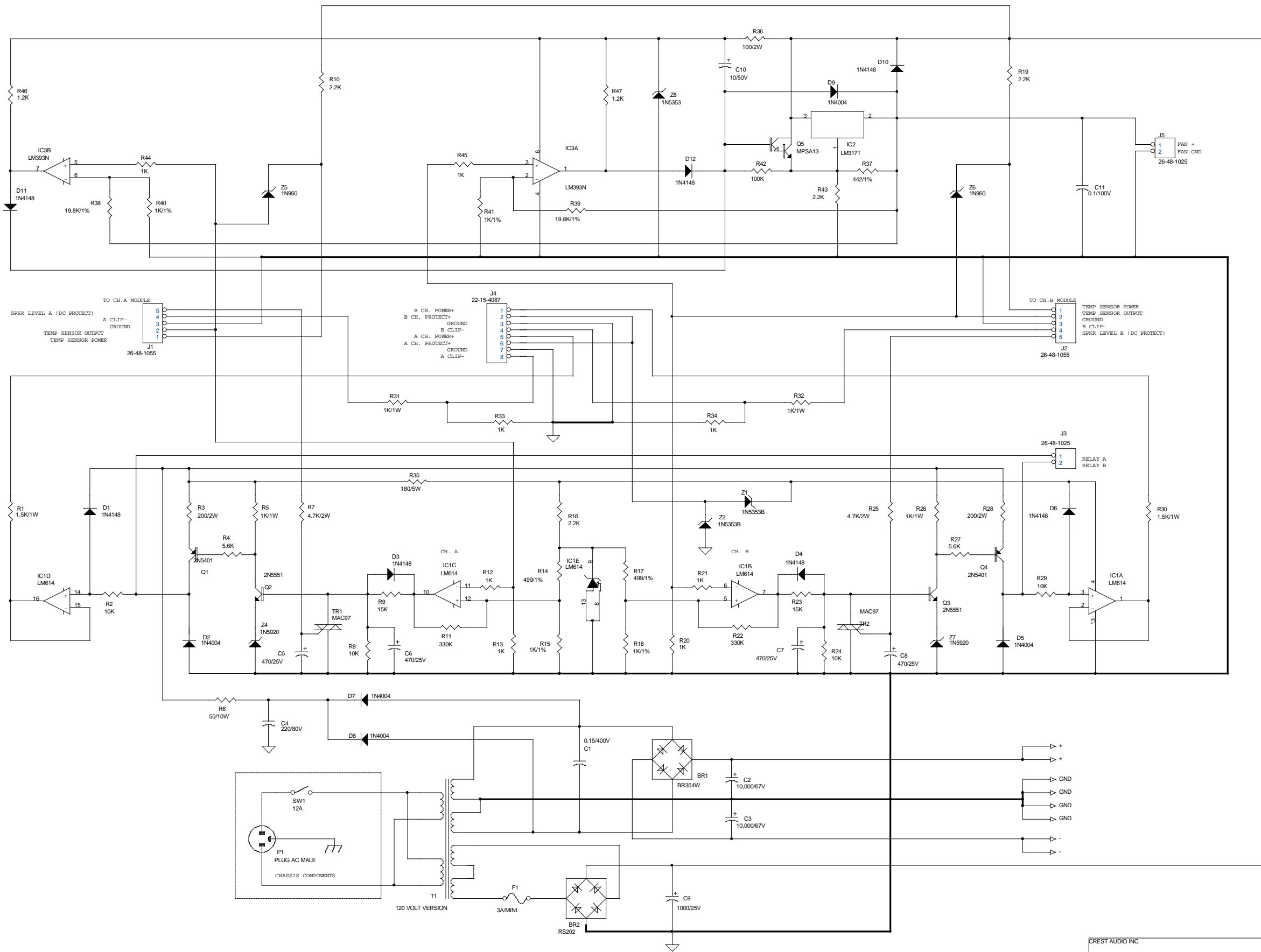
NOTE 2: LA601 = 30.1K/1%
 LA901 = 36.5K/1%
 LA1201 = 40.2K/1%

NOTE 3: LA601 = 680/10W
 LA901 = 820/10W
 LA1201 = 1K/10W

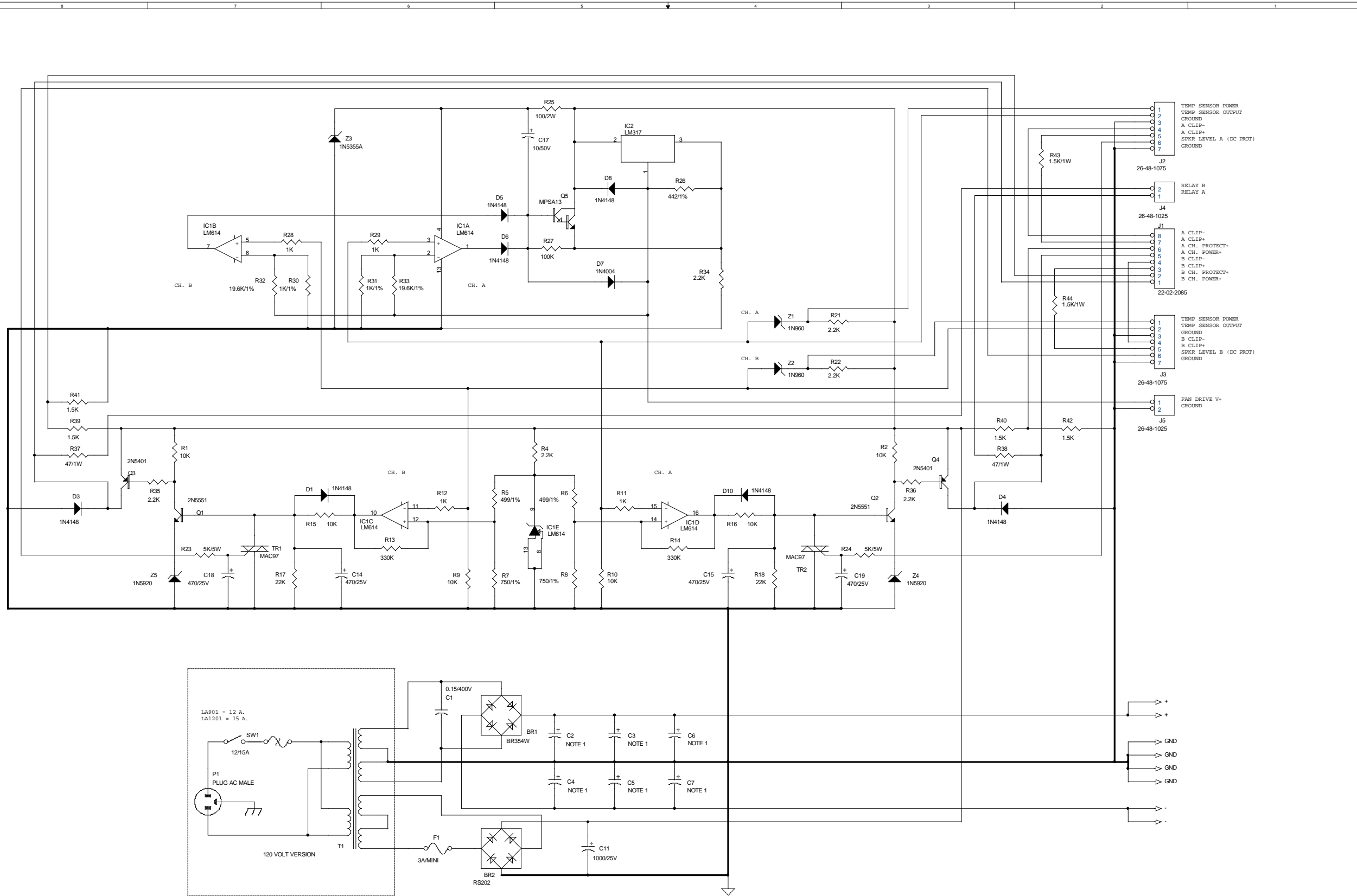
NOTE 4: LA601 = 1.5K/2W
 LA901 = 2.7K/2W
 LA1201 = 3.3K/2W

CREST AUDIO INC.
 150 Florence Avenue
 Hawthorne, NJ 07506
 Title: PREAMP/DRIVER FOR LA SERIES

Size B	Document Number 21B1113-04	Rev
Date: Tuesday, May 16, 2000	Sheet 1 of 1	

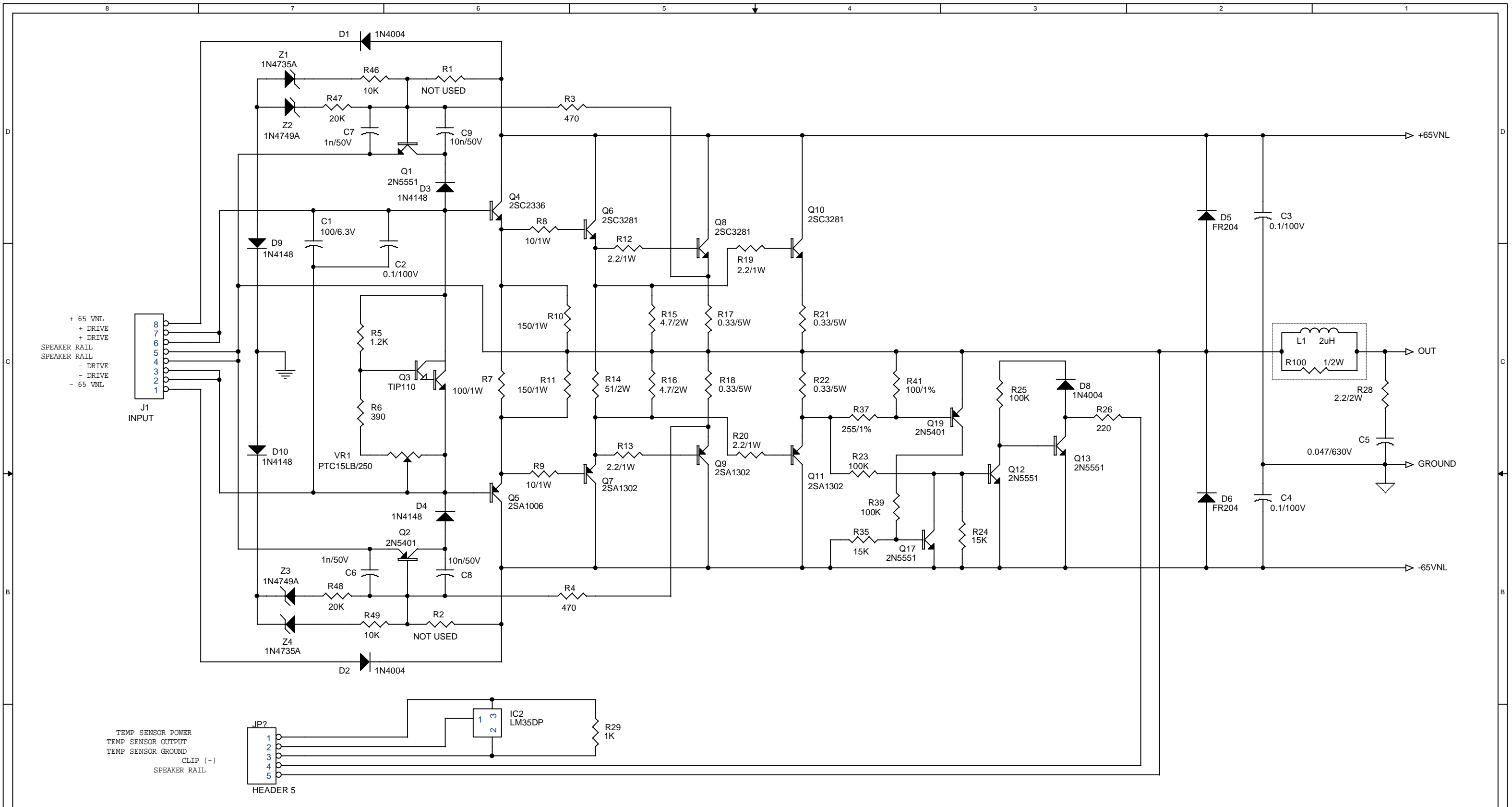


CREST AUDIO INC.
 150 Florence Ave.
 Hawthorne NJ 07506
 File: LA601 POWER SUPPLY PCB SCHEMATIC
 Size: C Document Number: 21C1101 Rev: 04
 Date: Thursday, May 18, 2000 Sheet: 1 of 1



NOTE 1
 C2 - C5 ARE 7,300uF/80V ON MODEL LA901. C5, C7 ARE NOT USED.
 C2 - C7 ARE 6,800uF/90V ON MODEL LA1201.

CREST AUDIO INC.		
150 Florence Ave. Hawthorne, NJ 07506		
File LA901/1201 POWER SUPPLY/FAN DRIVER PCB		
Size C	Document Number 21C1127	Rev
Date: Tuesday, May 16, 2000	Sheet 1 of 1	



4/14/92 R37 changed from 274/1% to 255/1%

CREST AUDIO INC.		
150 Florence Ave. Hawthorne, NJ 07506		
Title LA601 OUTPUT STAGE		
Size B	Document Number 21B1157	Rev 01
Date: Thursday, May 18, 2000	Sheet 1	of 1

