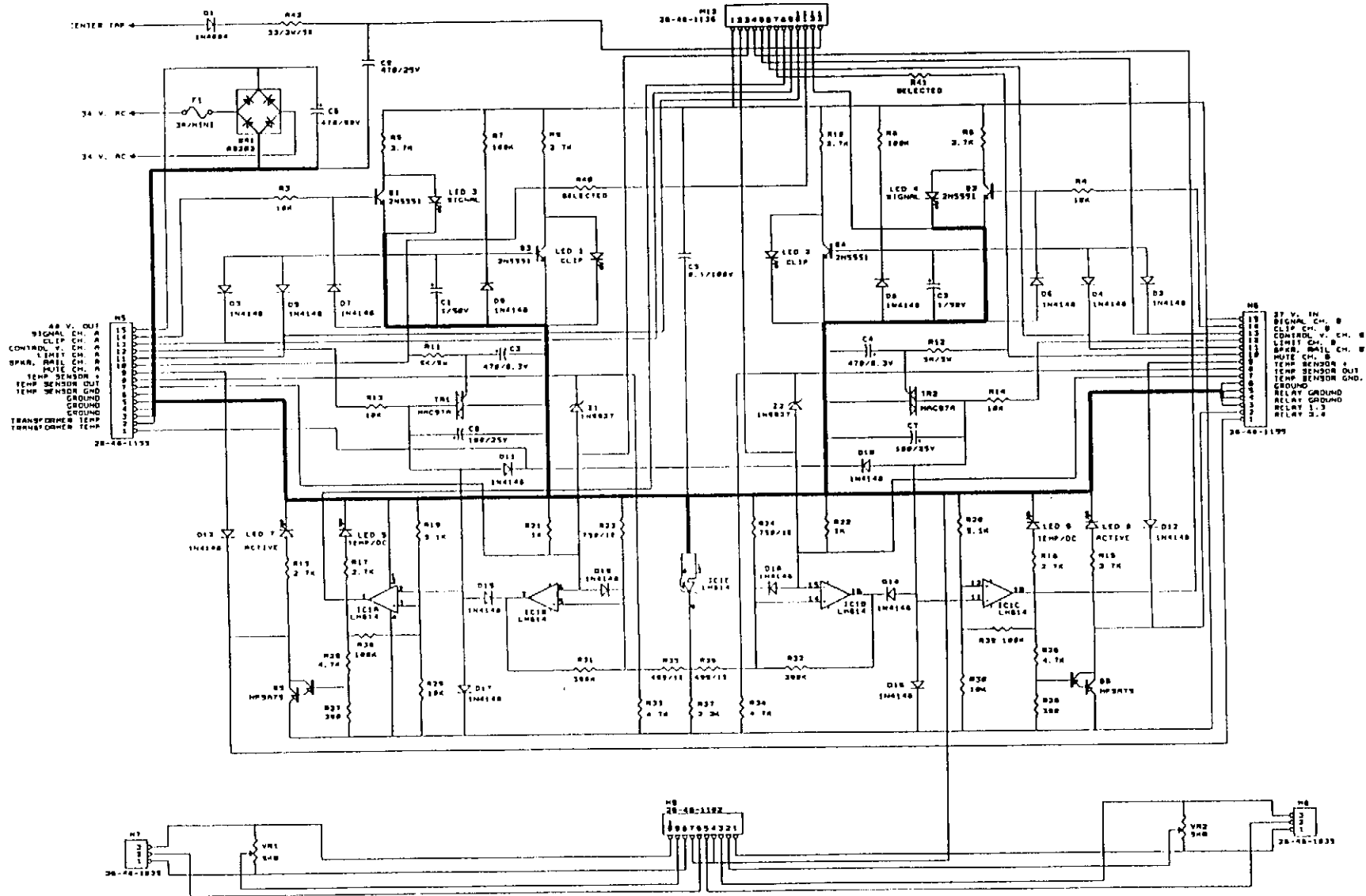


- NOTE 1: 6 OH 2W OH MODEL'S P2500, P2600
 NOTE 2: 200 OH 1/4W MODEL'S P2500, P2600
 NOTE 3: 620 OH OH MODEL P2500
 100 OH OH MODEL P2600
 NOTE 4: R22, R23, R28, VRI ARE NOT USED

CHEST AUDIO INC.
 150 FREDERICK RD.
 HARTFORD, CT 06105
 11114
 P2500/P2600 PNP/IMP/IMP/IMP
 5
 1982

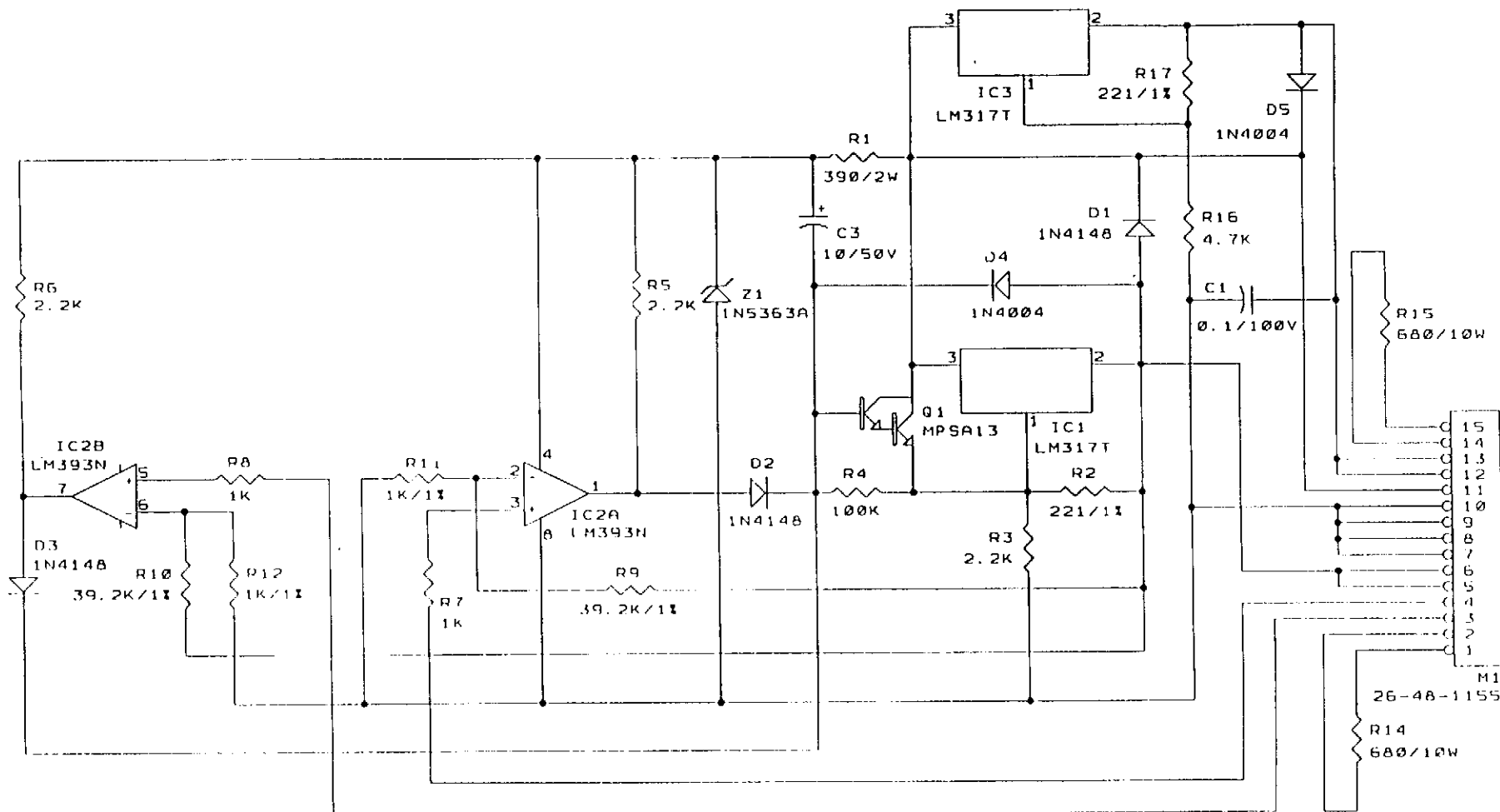


15 34 V. AC
 14 34 V. AC
 13 34 V. AC
 12 34 V. AC
 11 34 V. AC
 10 34 V. AC
 9 34 V. AC
 8 34 V. AC
 7 34 V. AC
 6 34 V. AC
 5 34 V. AC
 4 34 V. AC
 3 34 V. AC
 2 34 V. AC
 1 34 V. AC

15 27 V. IN
 14 SIGNAL CH. B
 13 CLIP CH. B
 12 CONTROL V. CH. W
 11 LIMIT CH. B
 10 SPKR. PAIR CH. W
 9 MUTE CH. B
 8 TEMP SENSOR 1
 7 TEMP SENSOR 2
 6 TEMP SENSOR OUT
 5 TEMP SENSOR GND
 4 GROUND
 3 RELAY GROUND
 2 RELAY 1, 3
 1 RELAY 2, 4

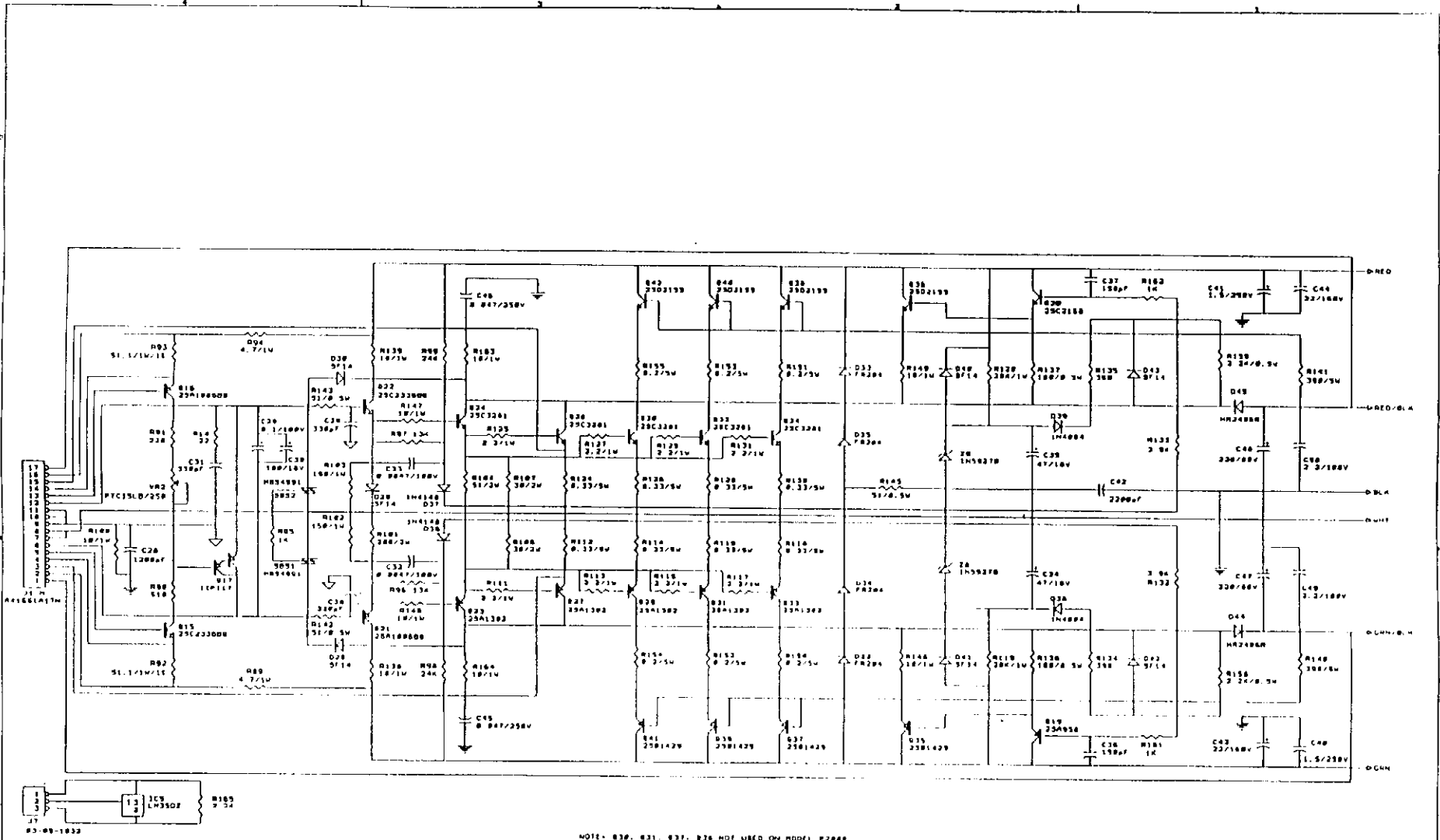
41 RESISTOR VALUES
 VALUE
 40 2K 200/10
 39 2K 200/10

CREST #1010
 100 200-200
 Newbecora
 1110 P3800/3300
 File Record Number
 C. JICLARA
 1981 01 31 1983 0000



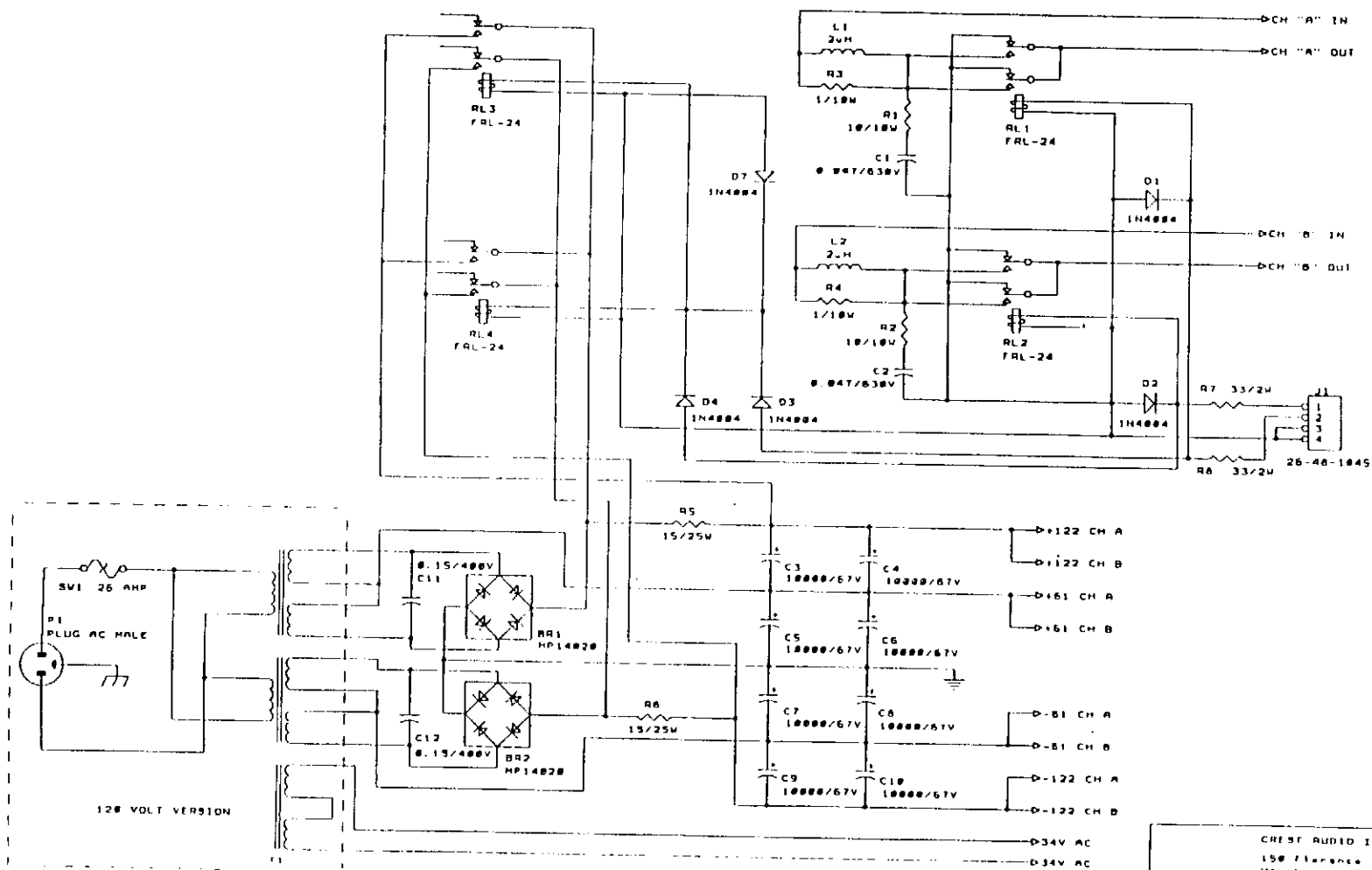
CRES1 AUDIO INC.
 150 Florence Ave.
 Hawthorne, NJ 07506

Title P2500 FAN DRIVER
 Size Document Number 2101412
 Date April 23, 1992 Sheet 1 of 1



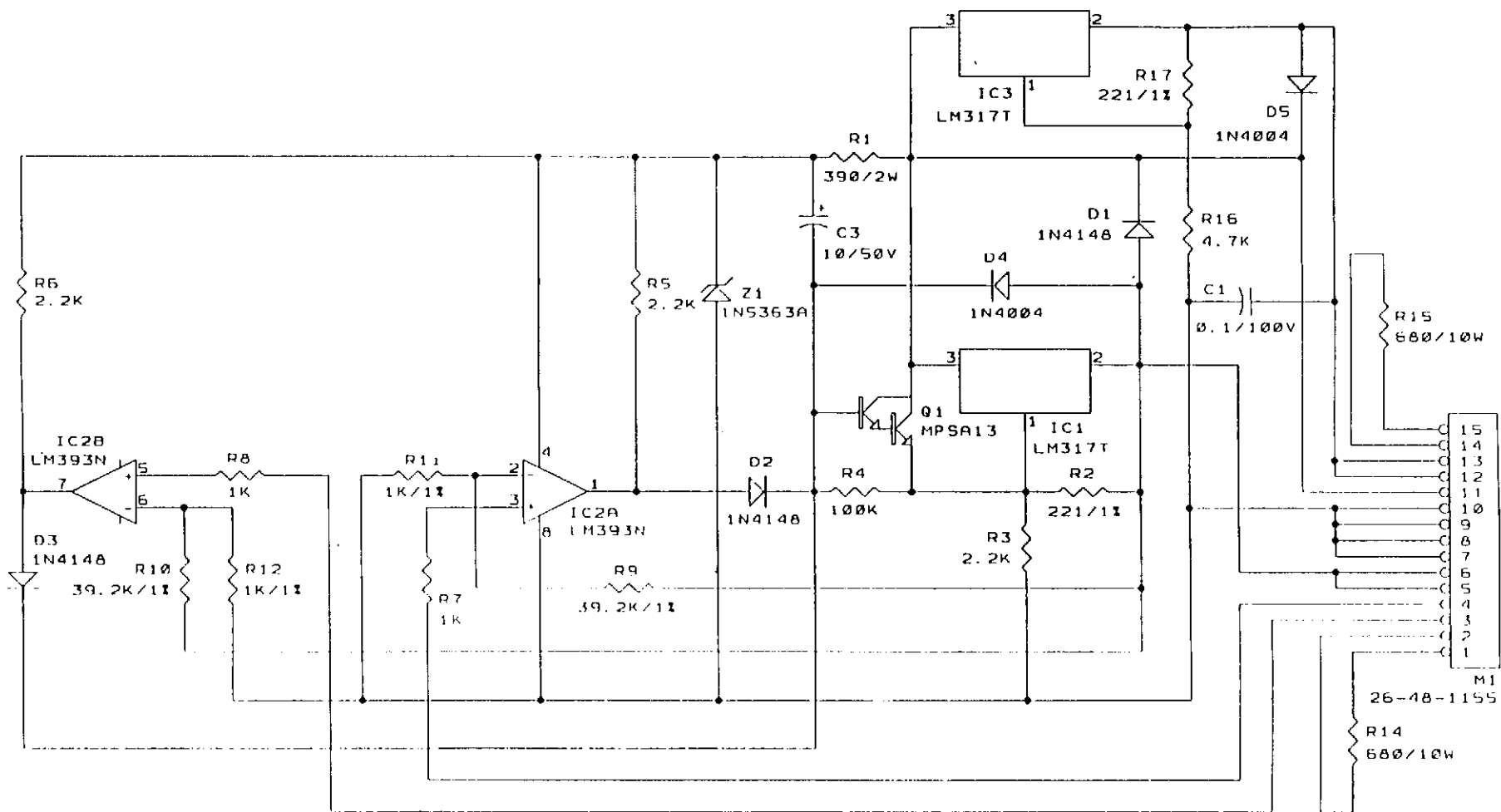
NOTE - R30, R31, R37, R38 NOT USED ON MODEL P2888

CHESTNUT INC
 100 Florence Ave.
 Marlborough, MA 01501
 OUTPUT DATA SHEET
 DATE: 11/15/88
 BY: JIC/200
 Rev. 1.0



CREST AUDIO INC.
 150 Florence Ave.
 Hawthorne, NJ 07506
 P2500 POWER SUPPLY/RELAY PCB
 Document Number 2101411
 Date: Dec 11, 1992

REV



CREST AUDIO INC.
 150 Florence Ave.
 Hawthorne, NJ 07506

Title P2500 FAN DRIVER
 Size Document Number
 A 2101412
 Date April 23, 1992 Sheet 1

M1
 26-48-1155
 R14
 680/10W