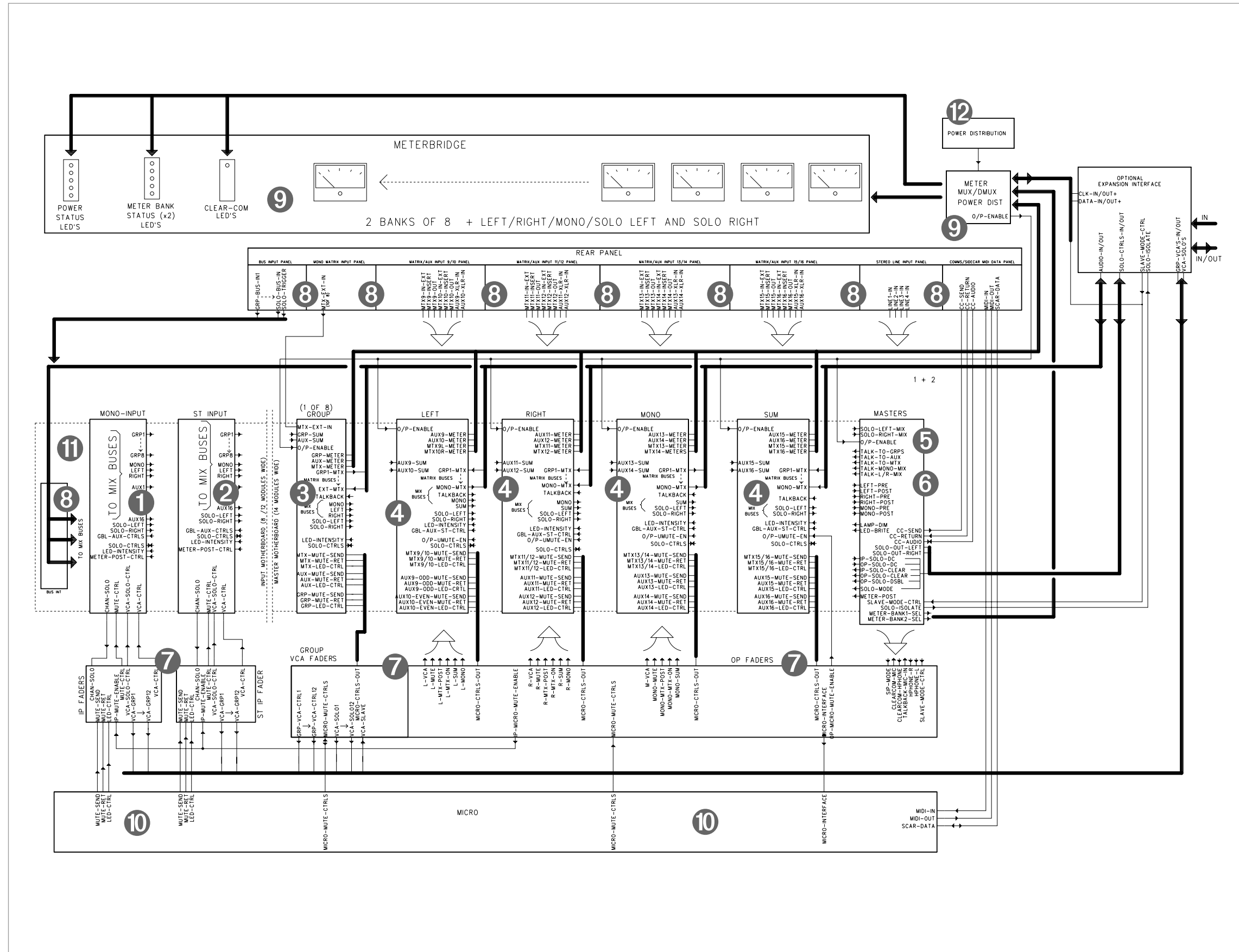


schematics
block diagrams
rear views
dimensions and weights

V12 mixing console





mono inputs p. 3

1

stereo inputs p. 13

2

groups p. 26

3

outputs p. 33

4

master 1 p. 42

5

master 2 p. 48

6

faders p. 54

7

connectors p. 63

8

meters p. 73

9

micro muting system p. 77

10

motherboards p. 83

11

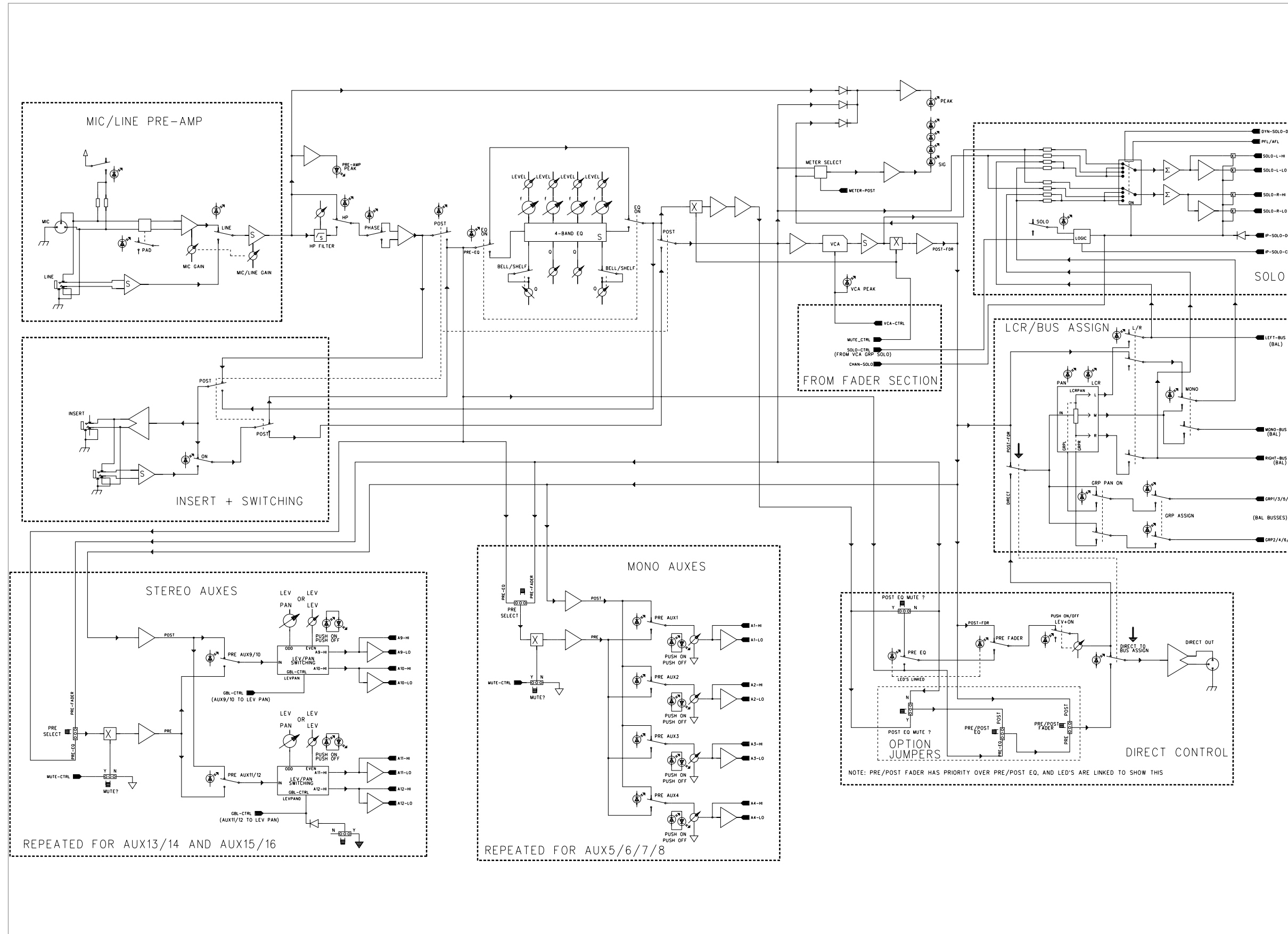
power supply p. 86

12

mono input—block diagram

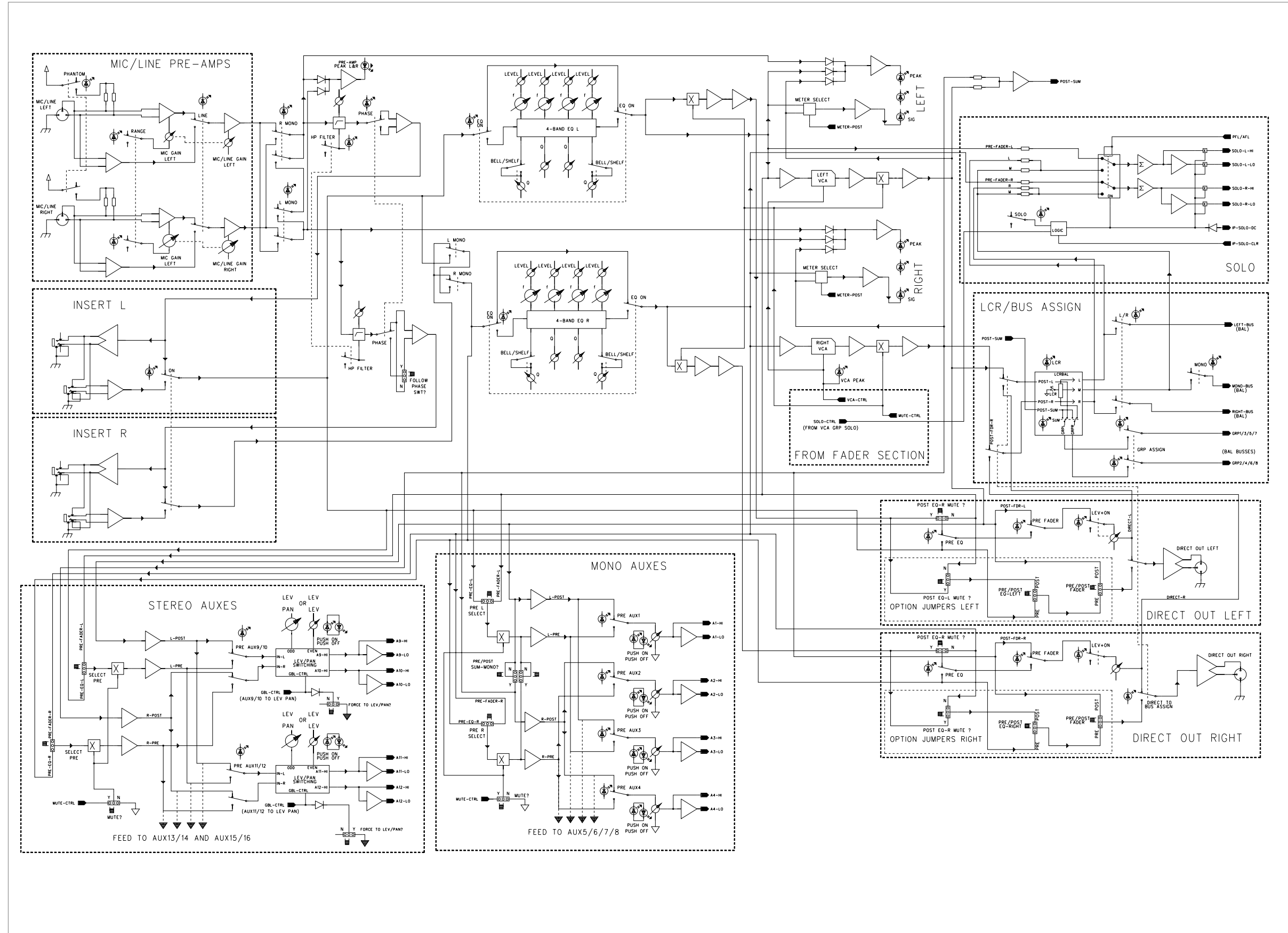
mono inputs
connector PCB
main PCB
main sub PCB

see p. 3



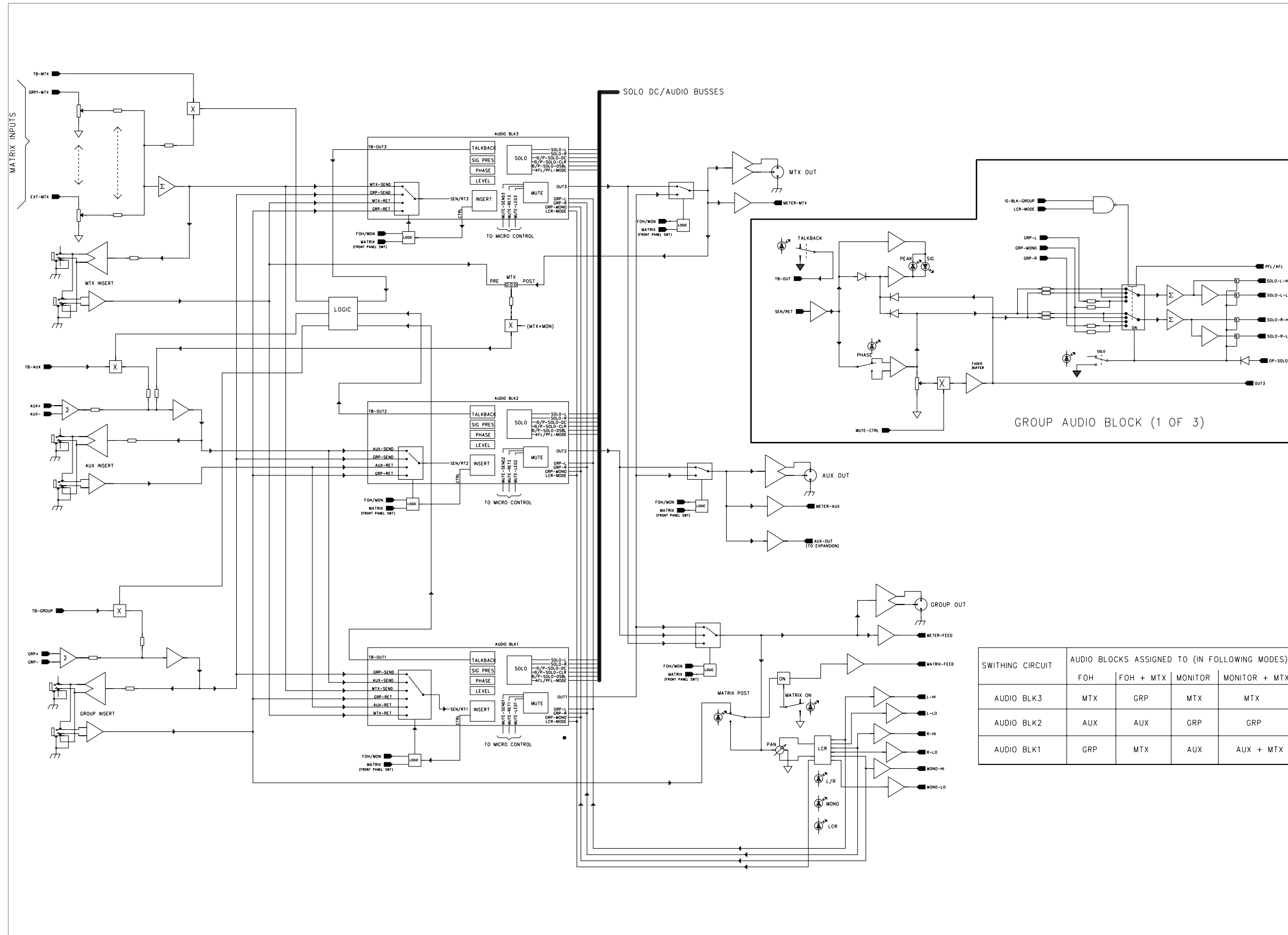
stereo input—block diagram

stereo inputs see p. 13
 connector PCB
 connector sub PCB
 main PCB
 main sub PCB



groups
audio sub PCB
connector PCB
main PCB
main sub PCB

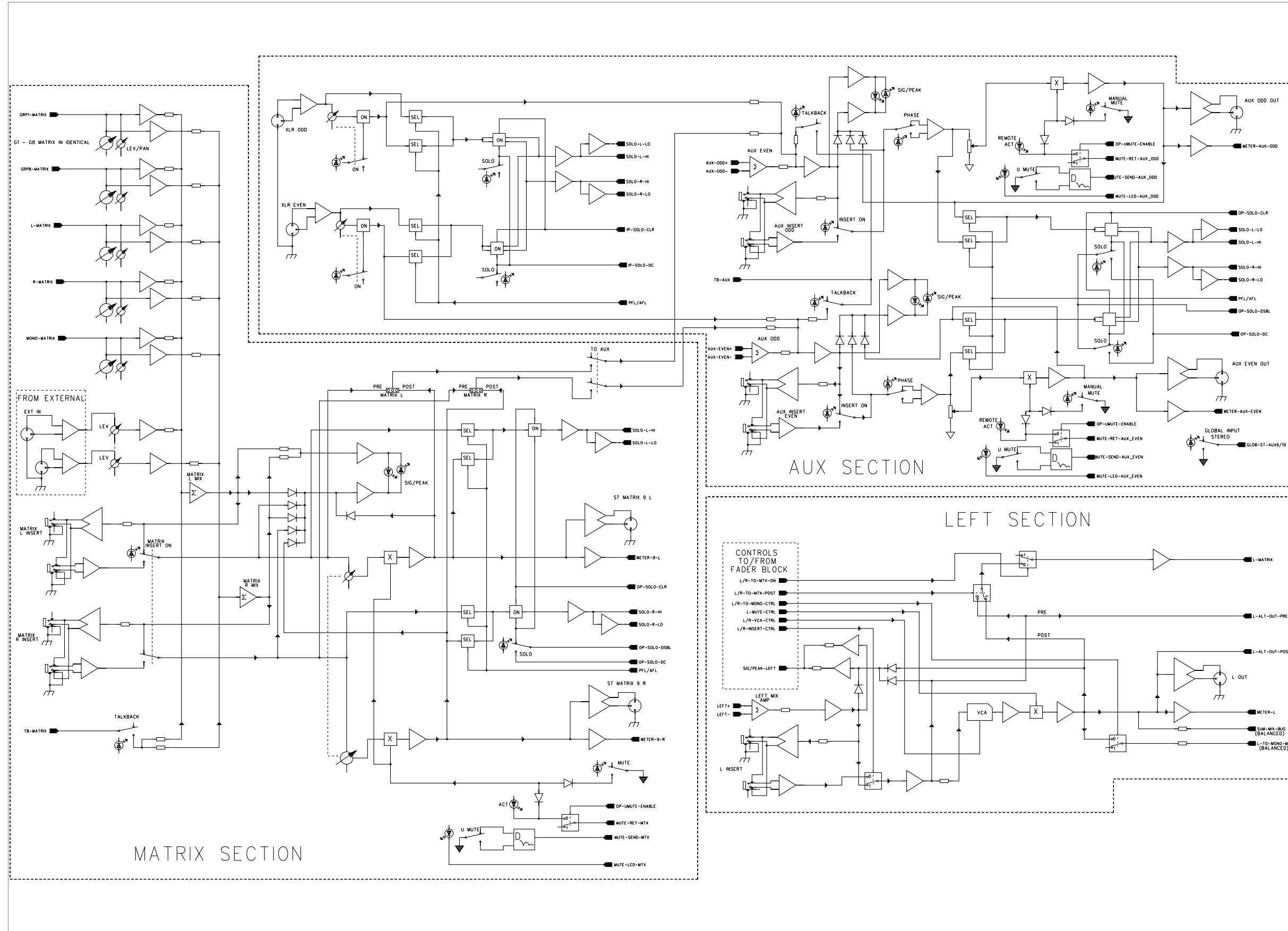
see p. 26



output module—block diagram

outputs
connector PCB
main PCB
main sub PCB

see p. 33



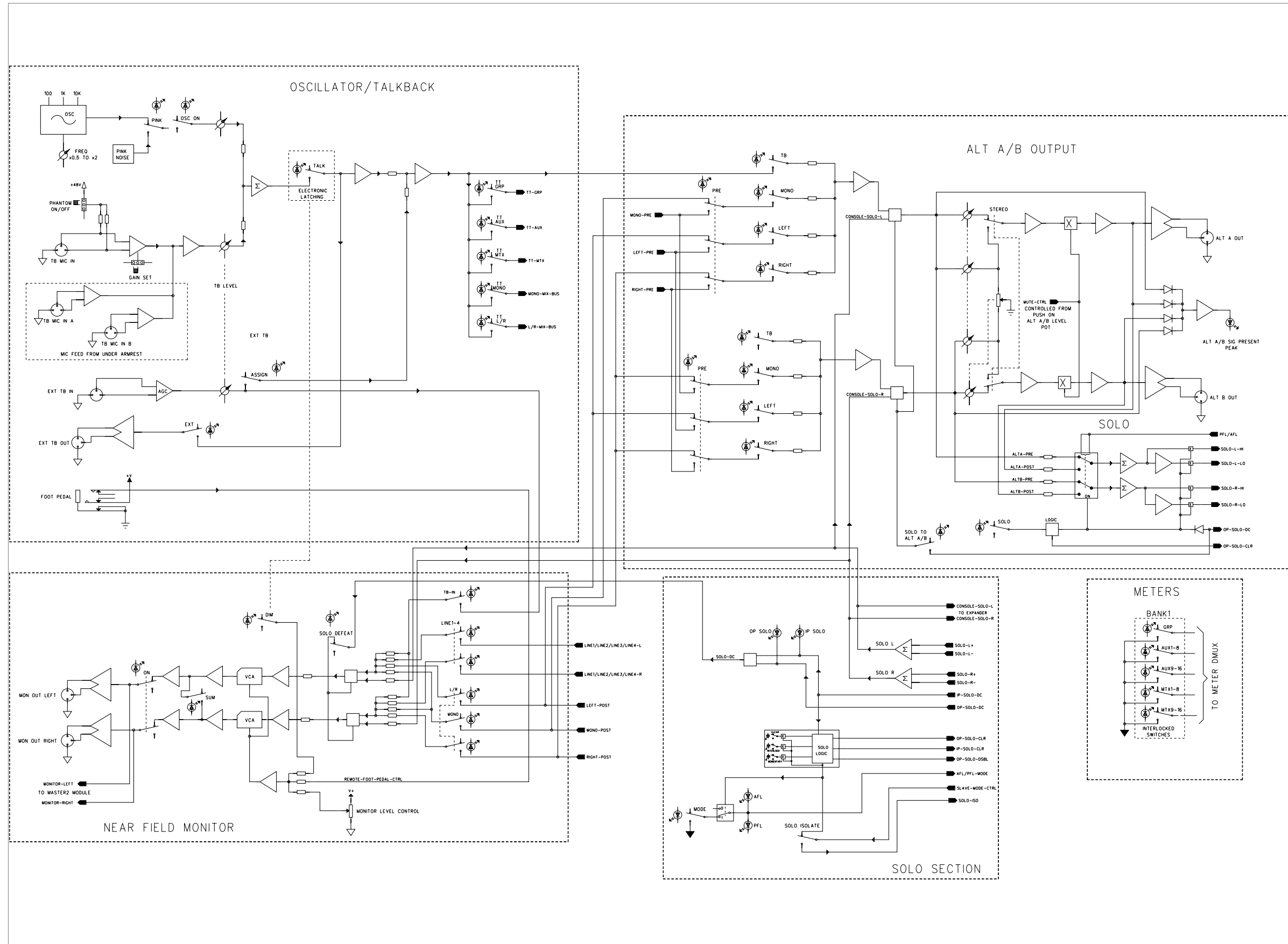
master 1 module—block diagram

6-of-11

section 5

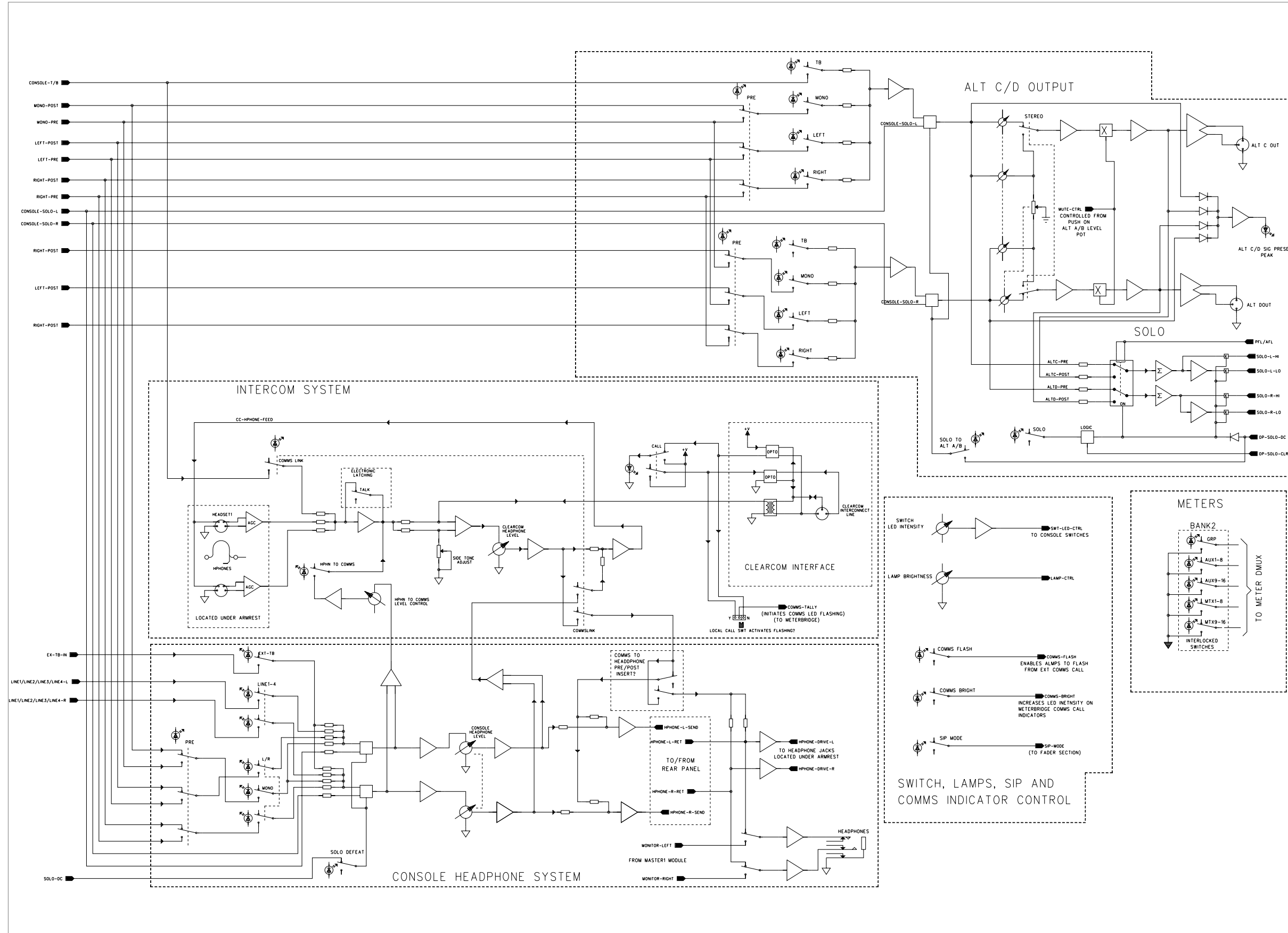
master 1
connector PCB
main PCB
main sub PCB

see p. 42



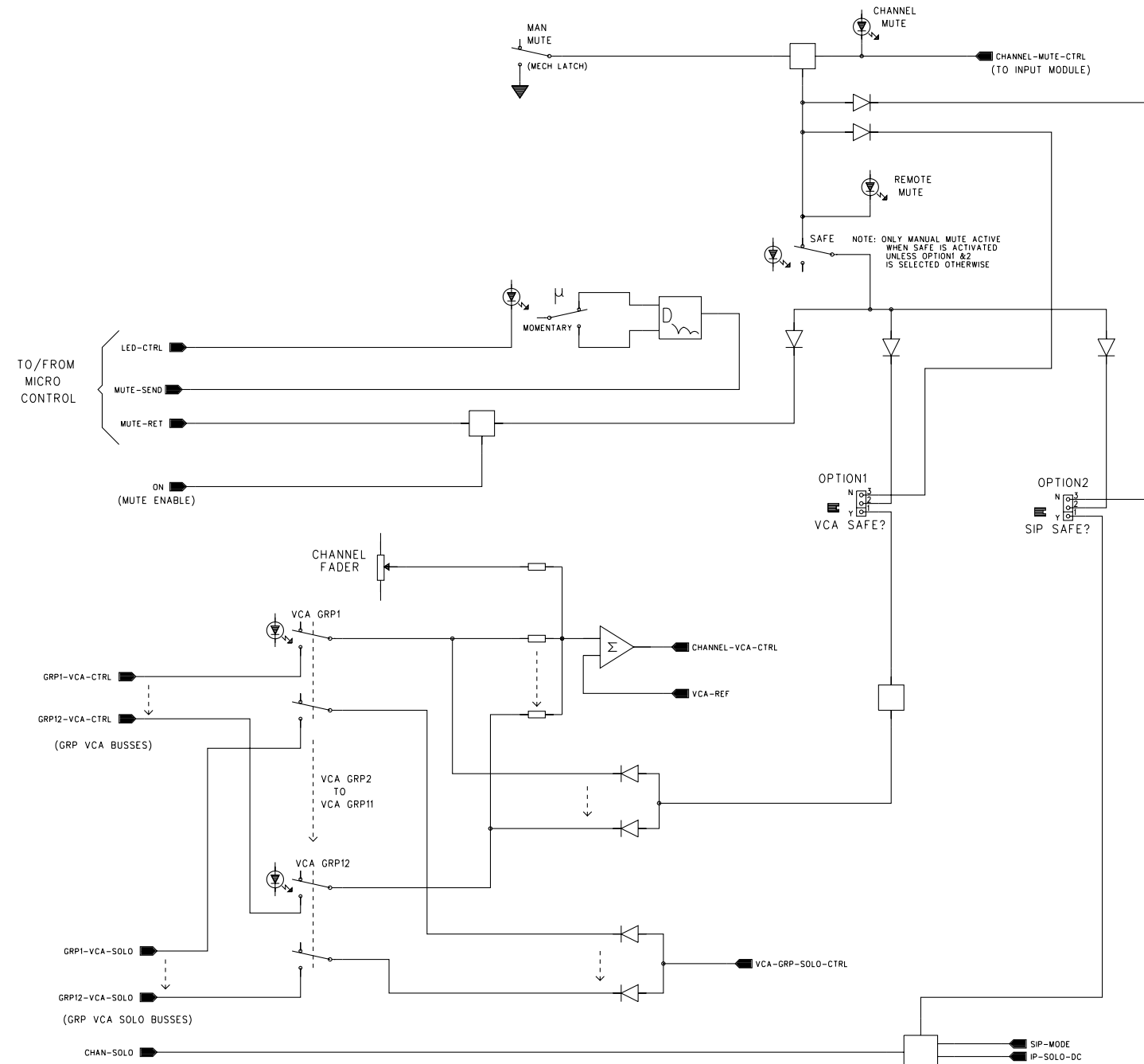
master 2
connector PCB
main PCB
main sub PCB

see p. 47

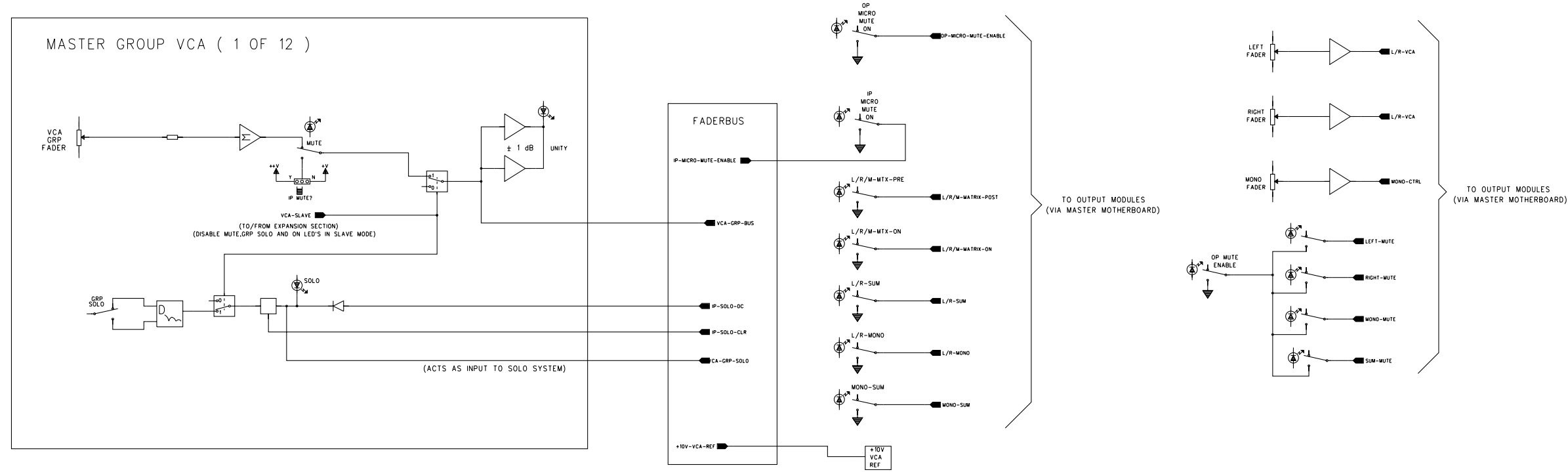


faders
fader PCB
fader mute PCB

see p.53



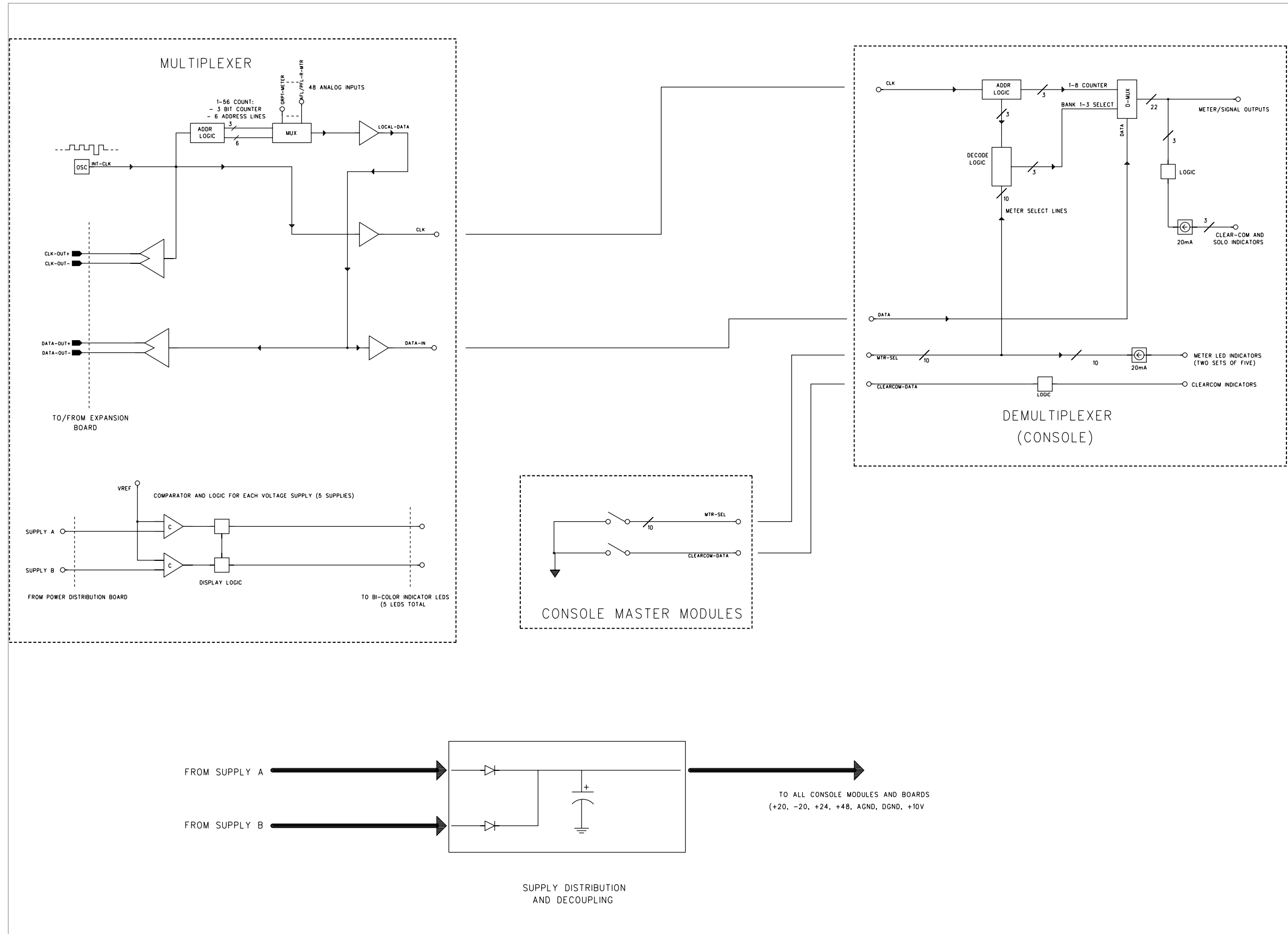
faders see p. 62
 master VCA mute PCB
 master VCA solo PCB
 output control PCB



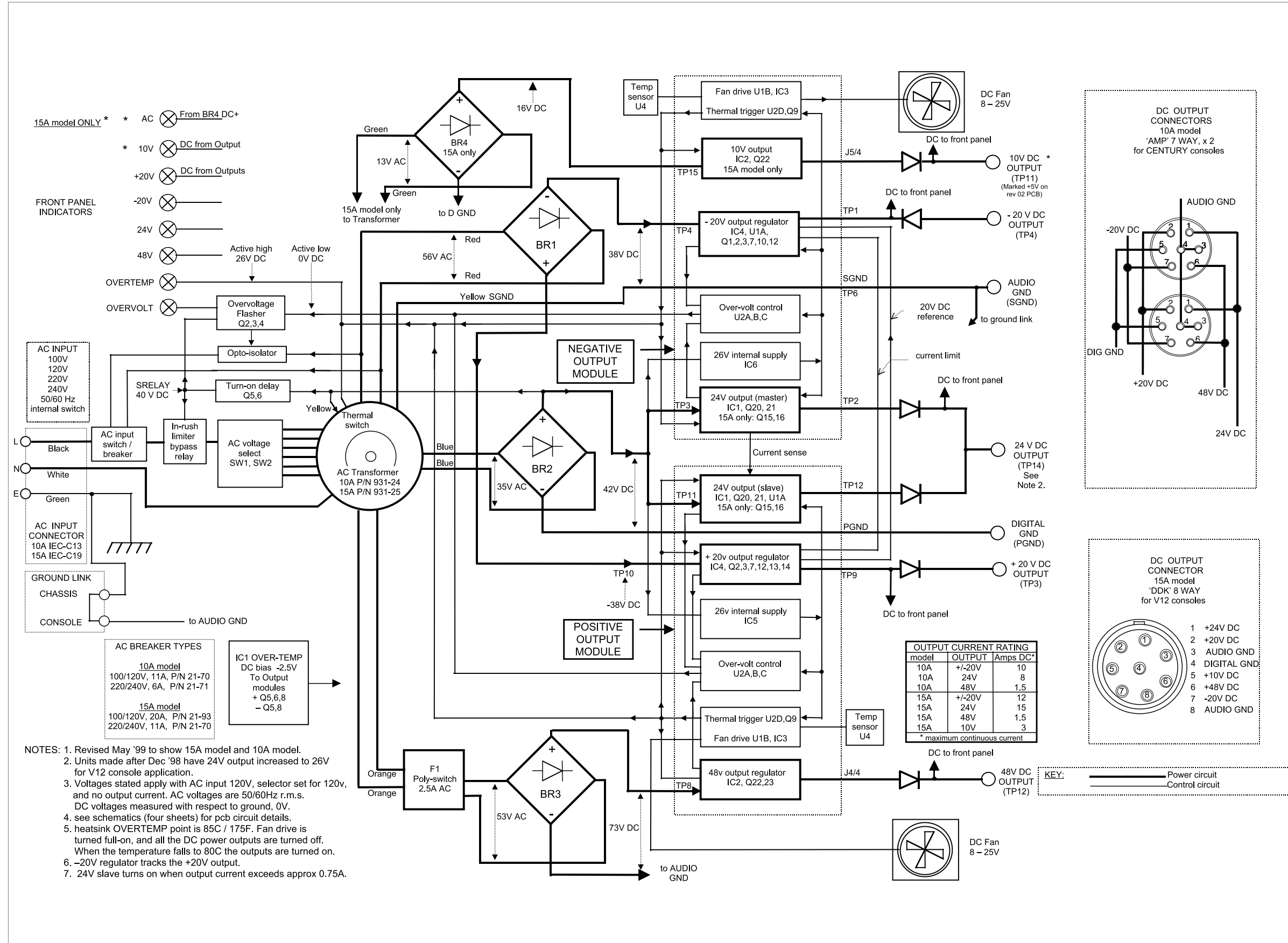
NOTE: THE MASTER MICRO INTERFACE PCB (LOCATED BELOW THIS SECTION ON THE FADER TRAY) DIRECTS MUTE SIGNALS FROM/TO THE MICRO SECTION AND THE MASTER MODULES.

meter system—block diagram

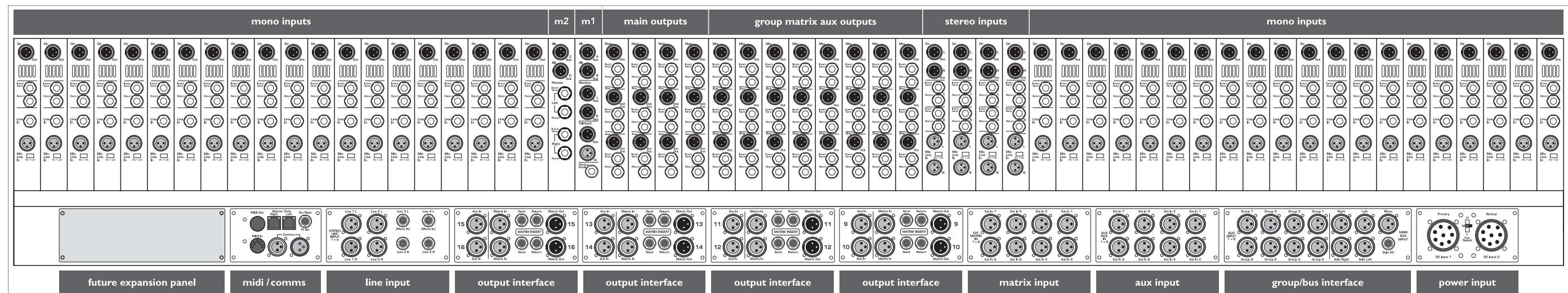
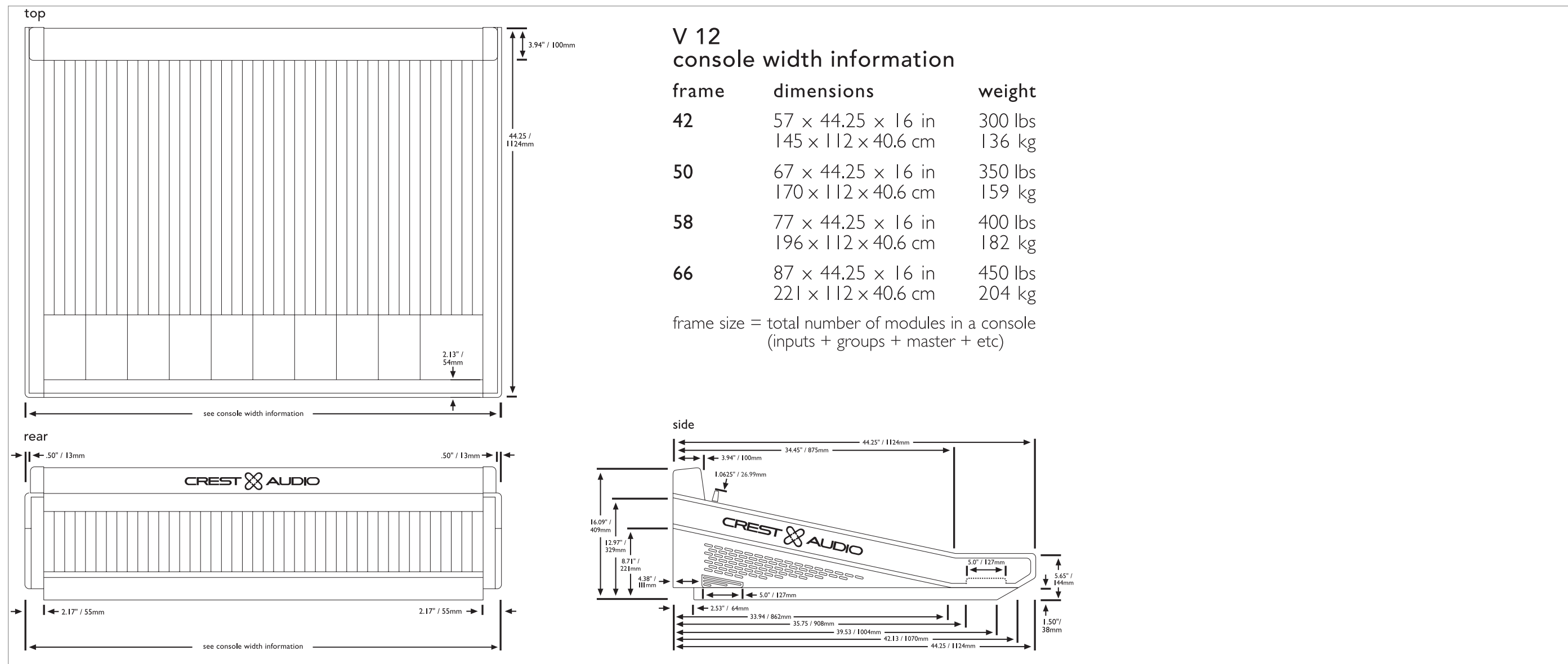
meters see p. 71
 multiplexer/dimmer/fan control PCB
 de-multiplexer PCB
 indicator PCB



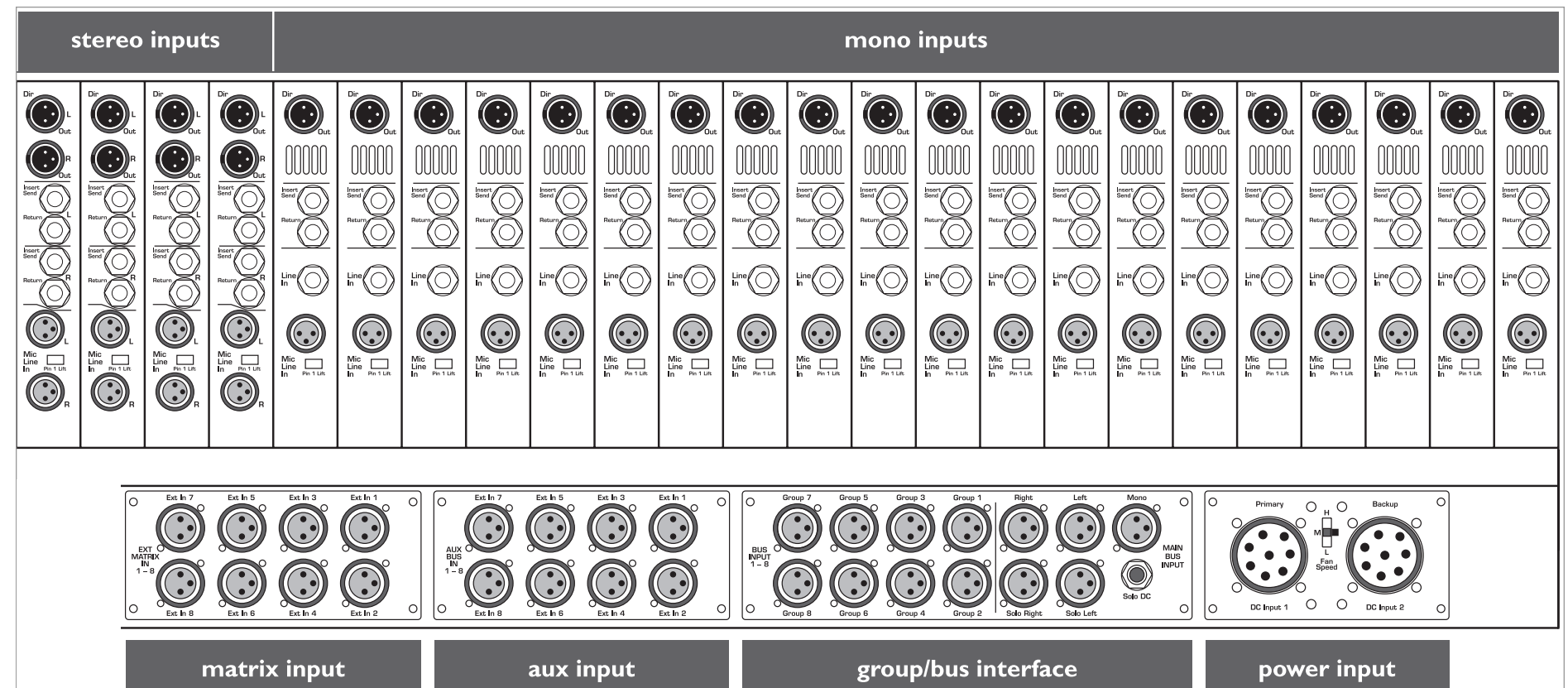
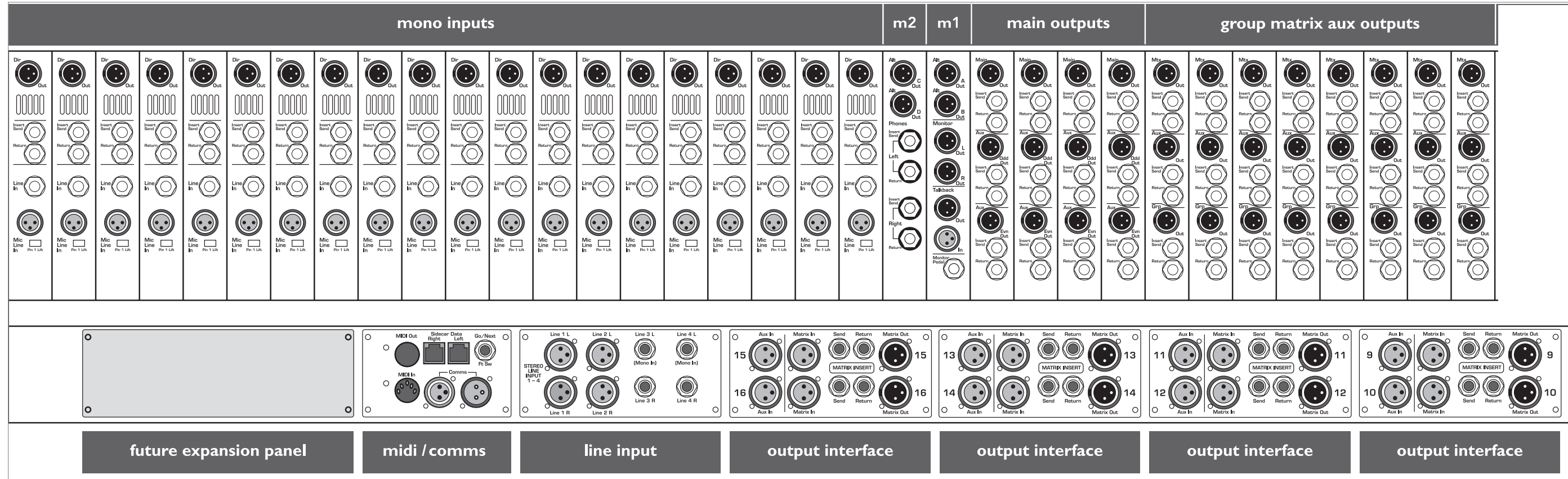
power supply see p. 1
 power distribution PCB
 display PCB
 negative HS PCB
 positive HS PCB

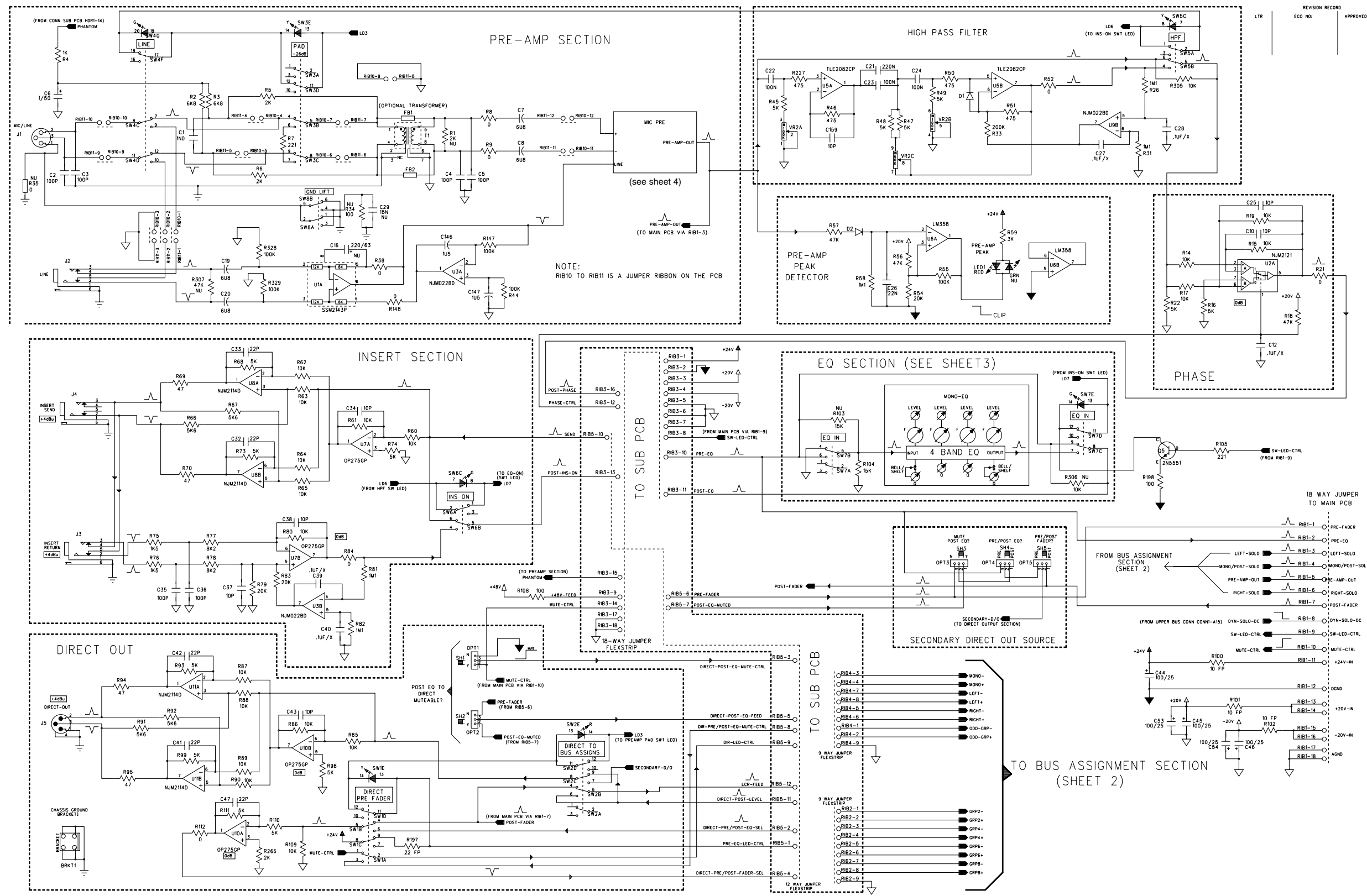


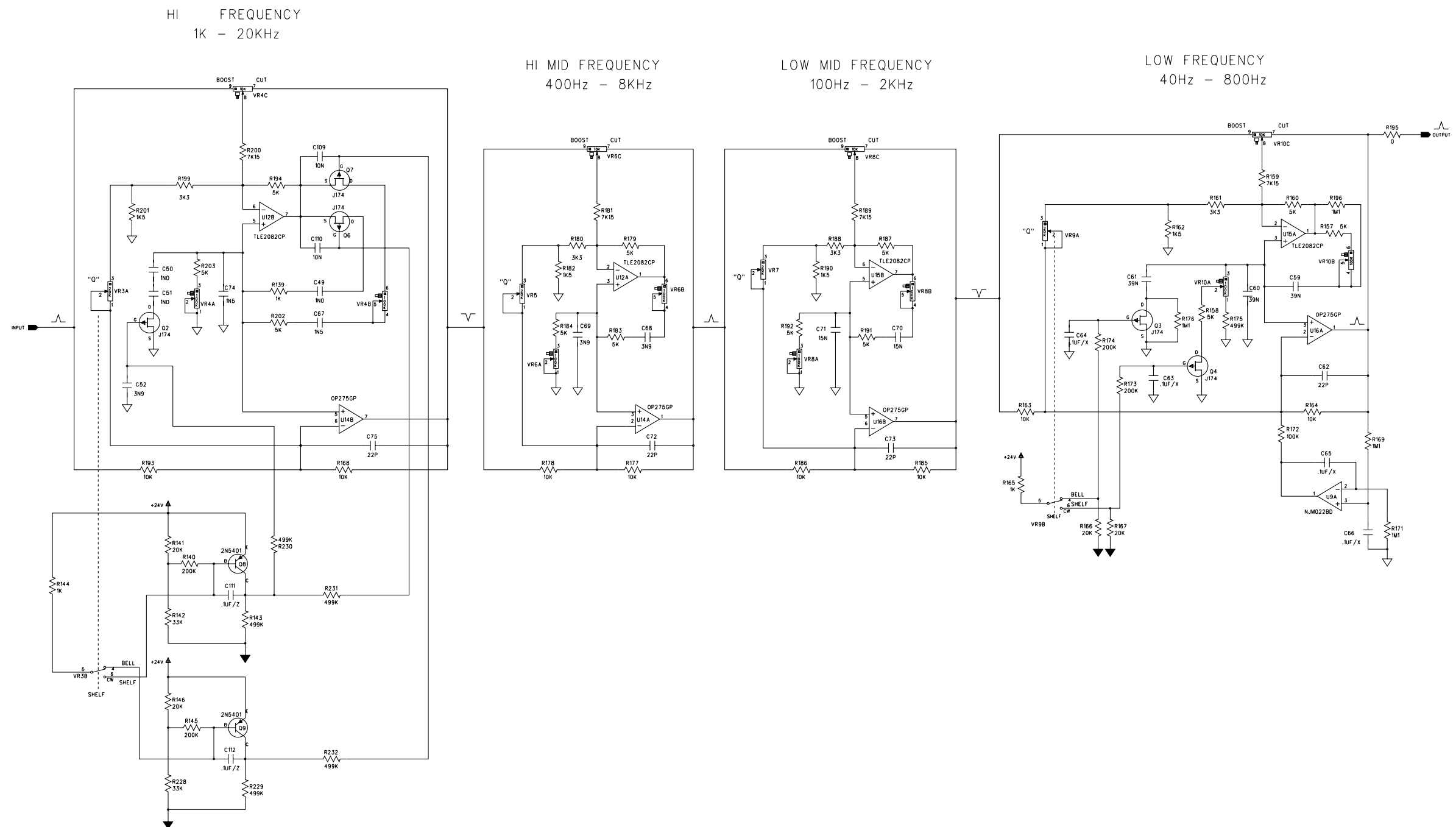
console dimensions and rear-view

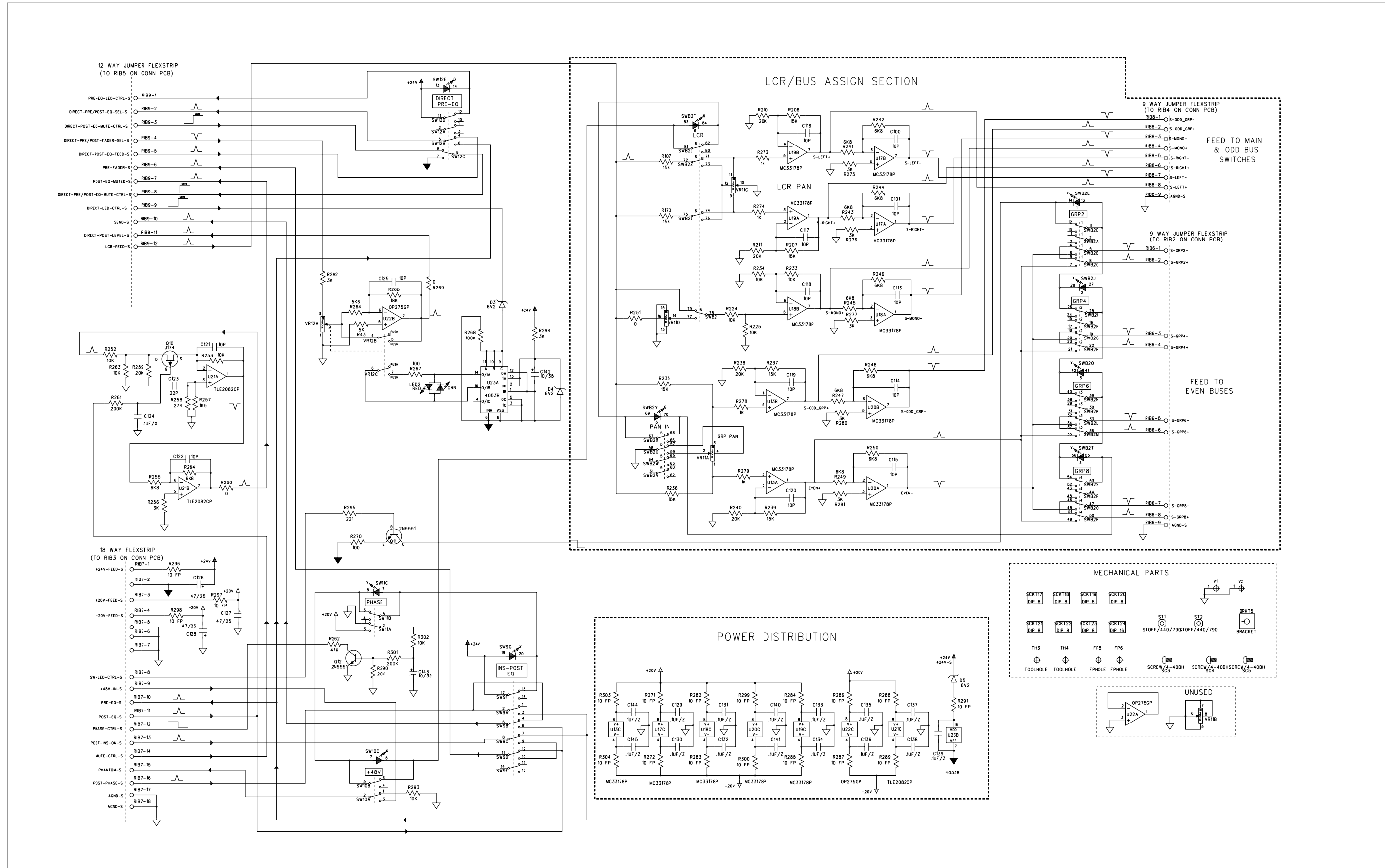


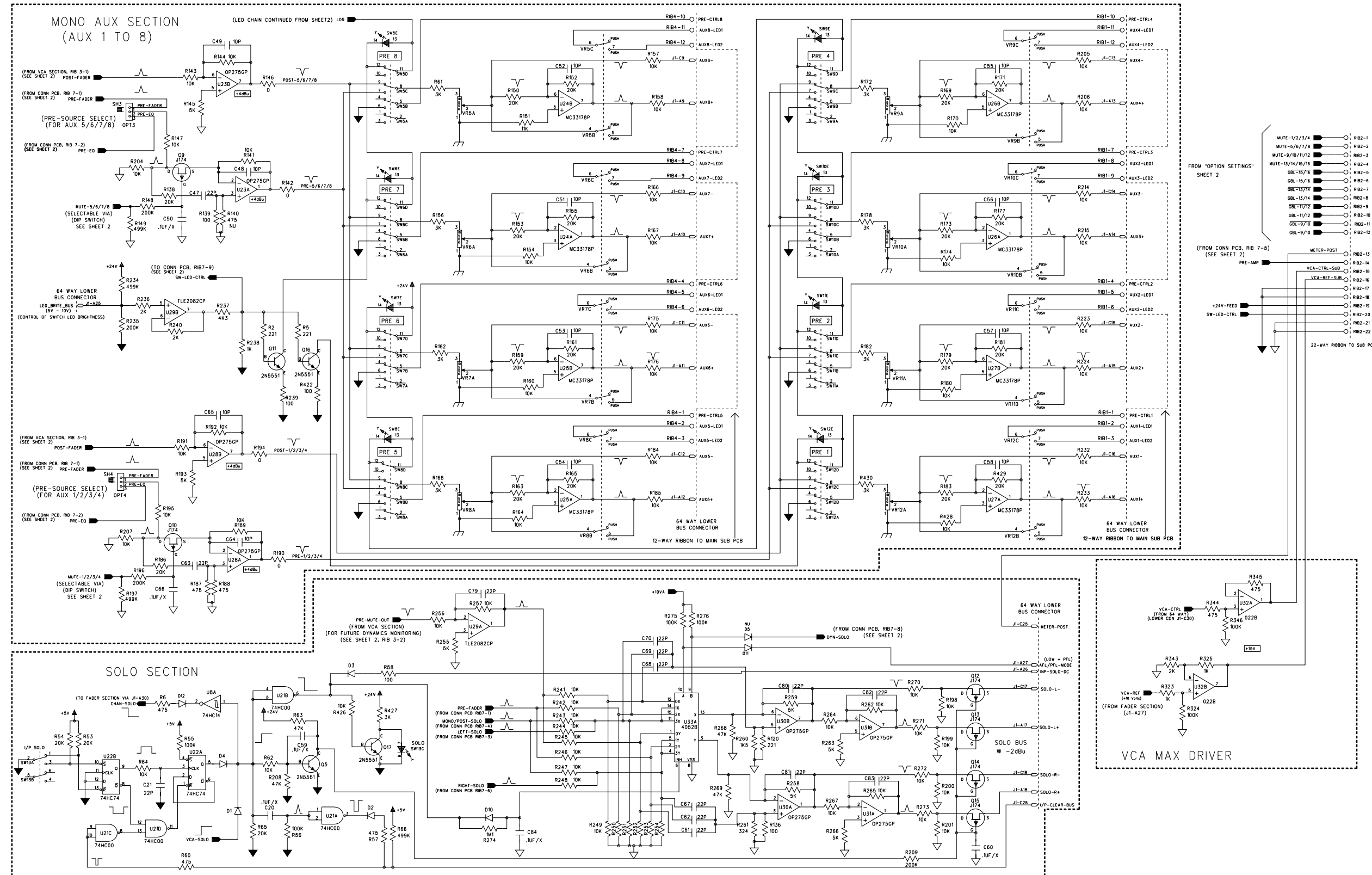
console rear-view (enlarged)

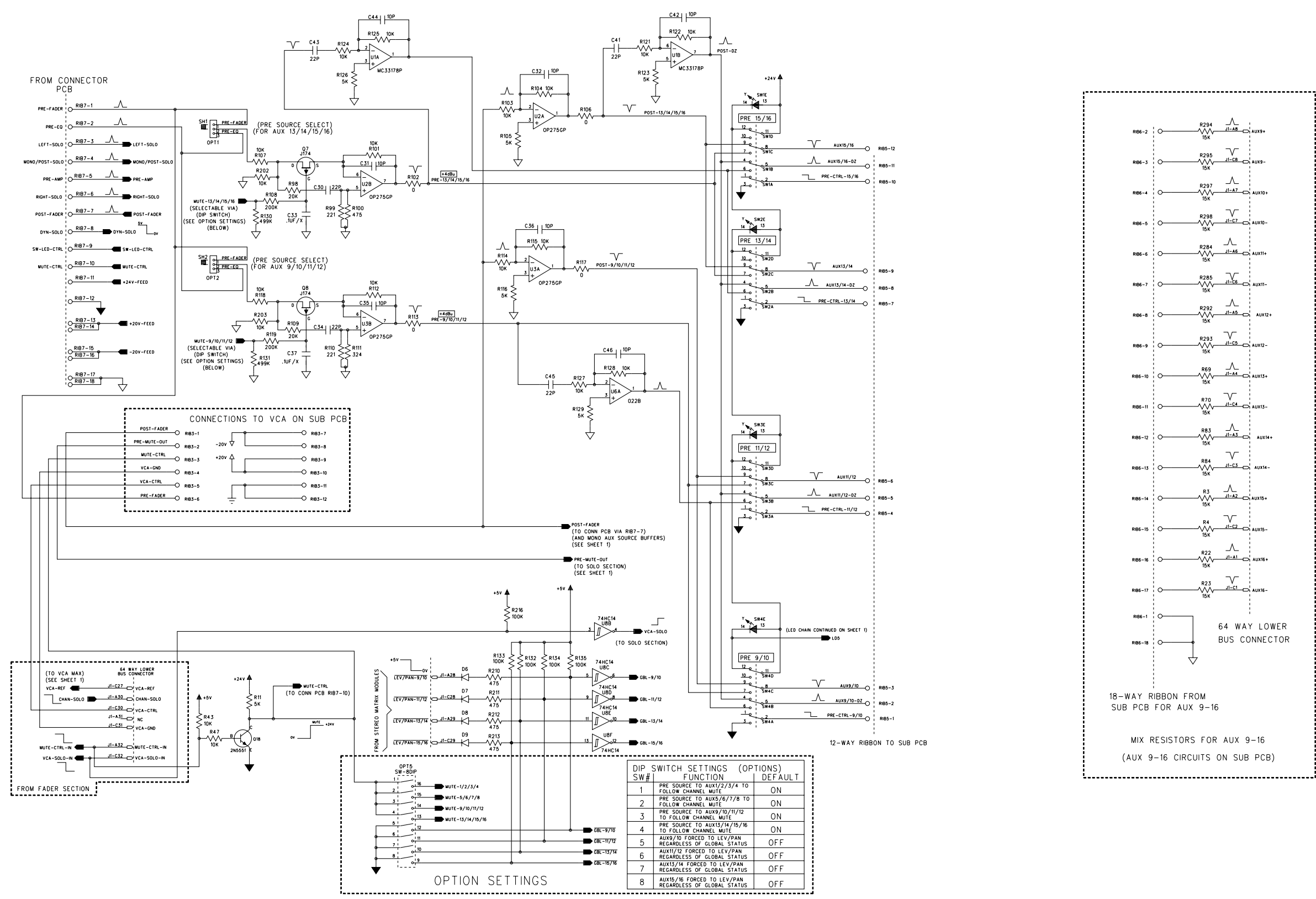


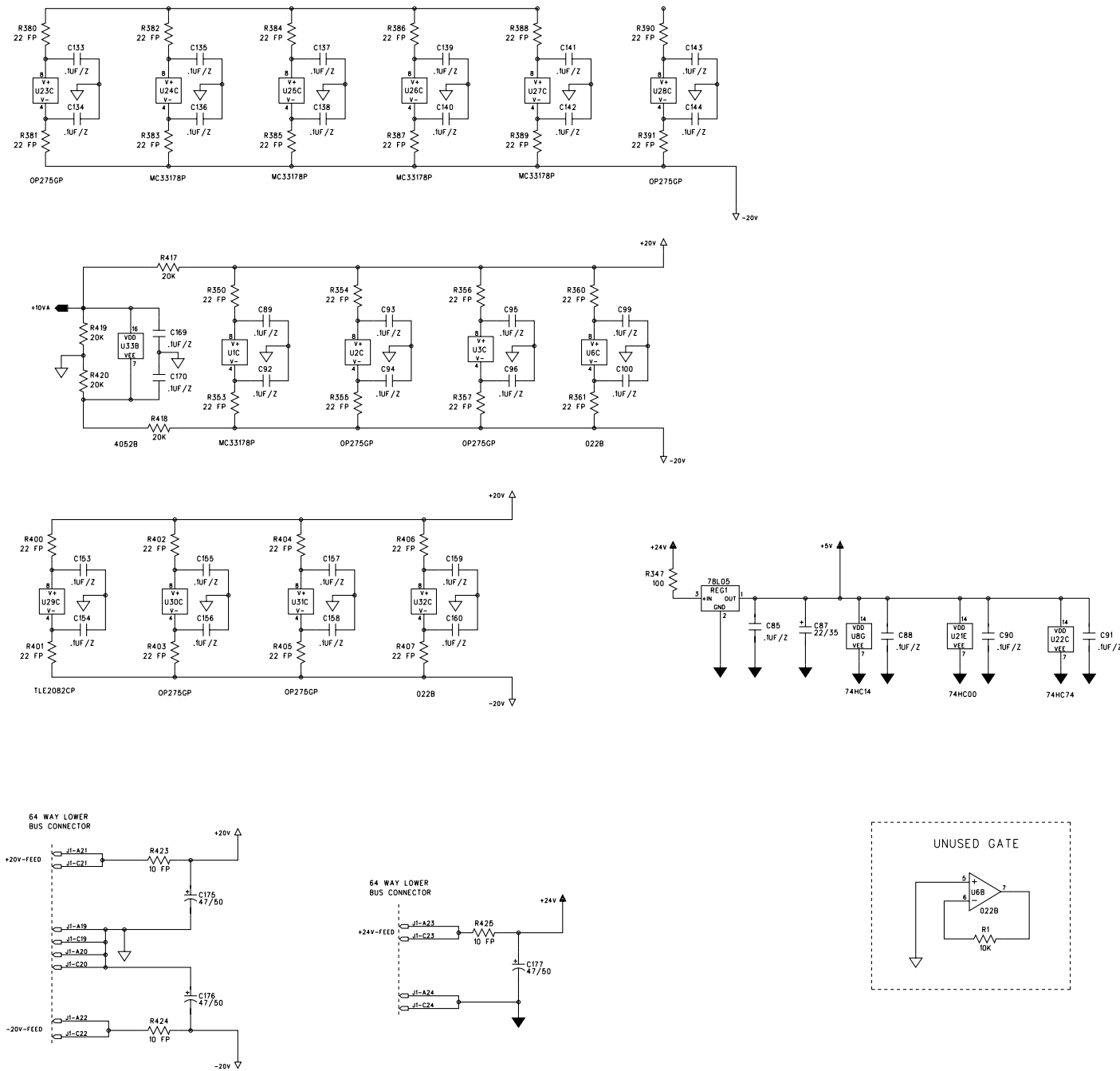




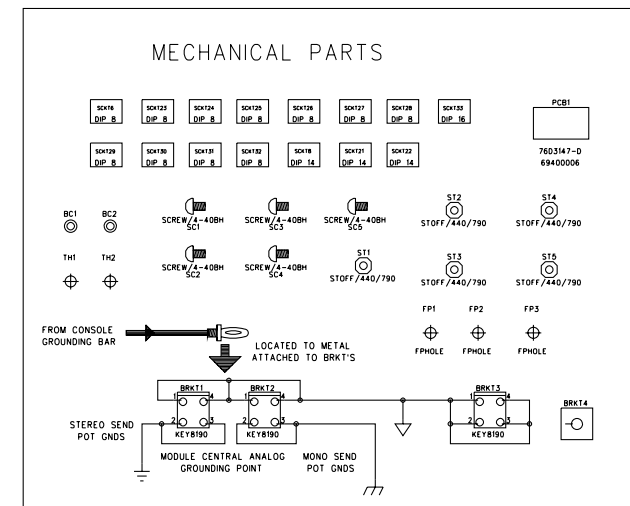


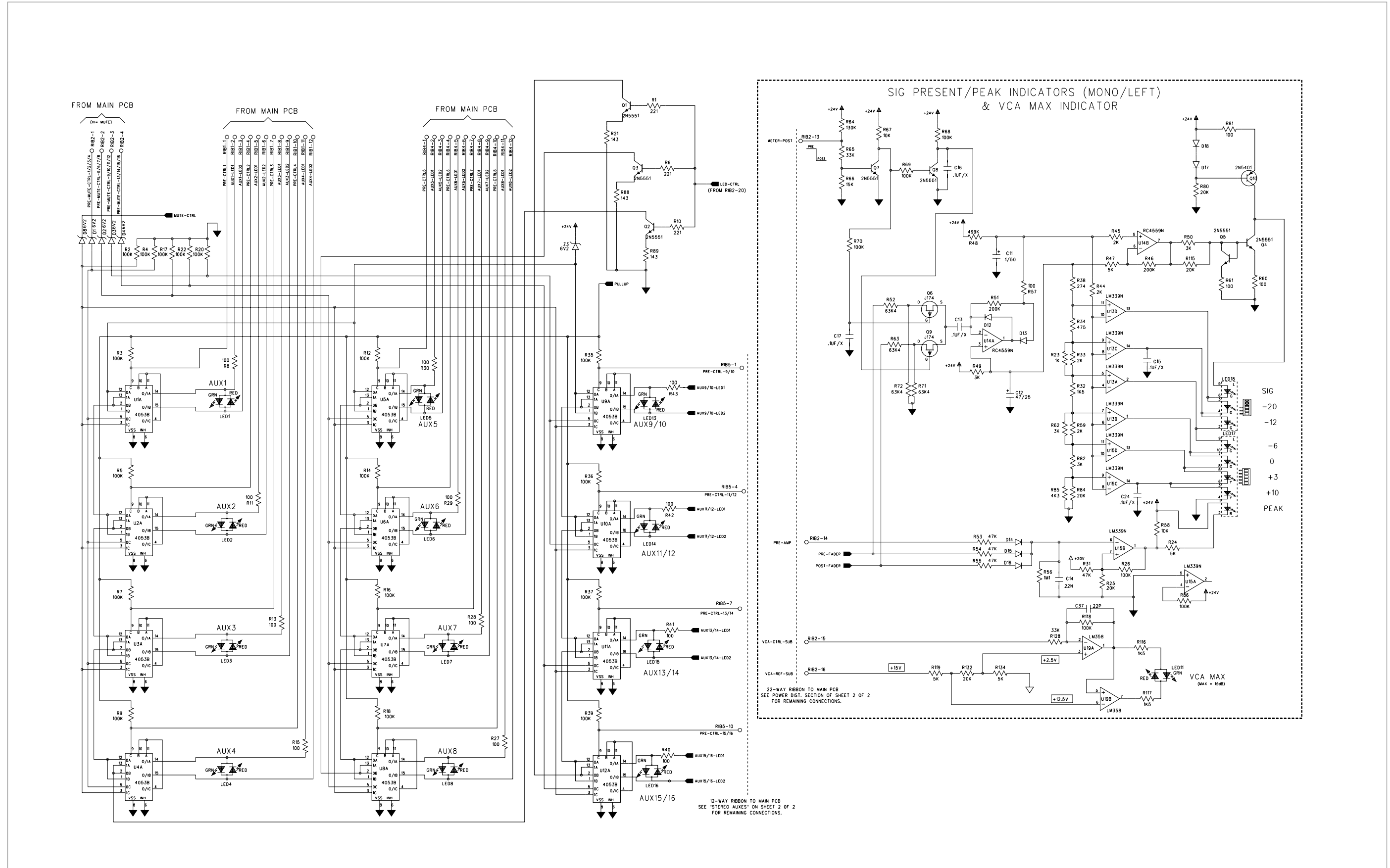


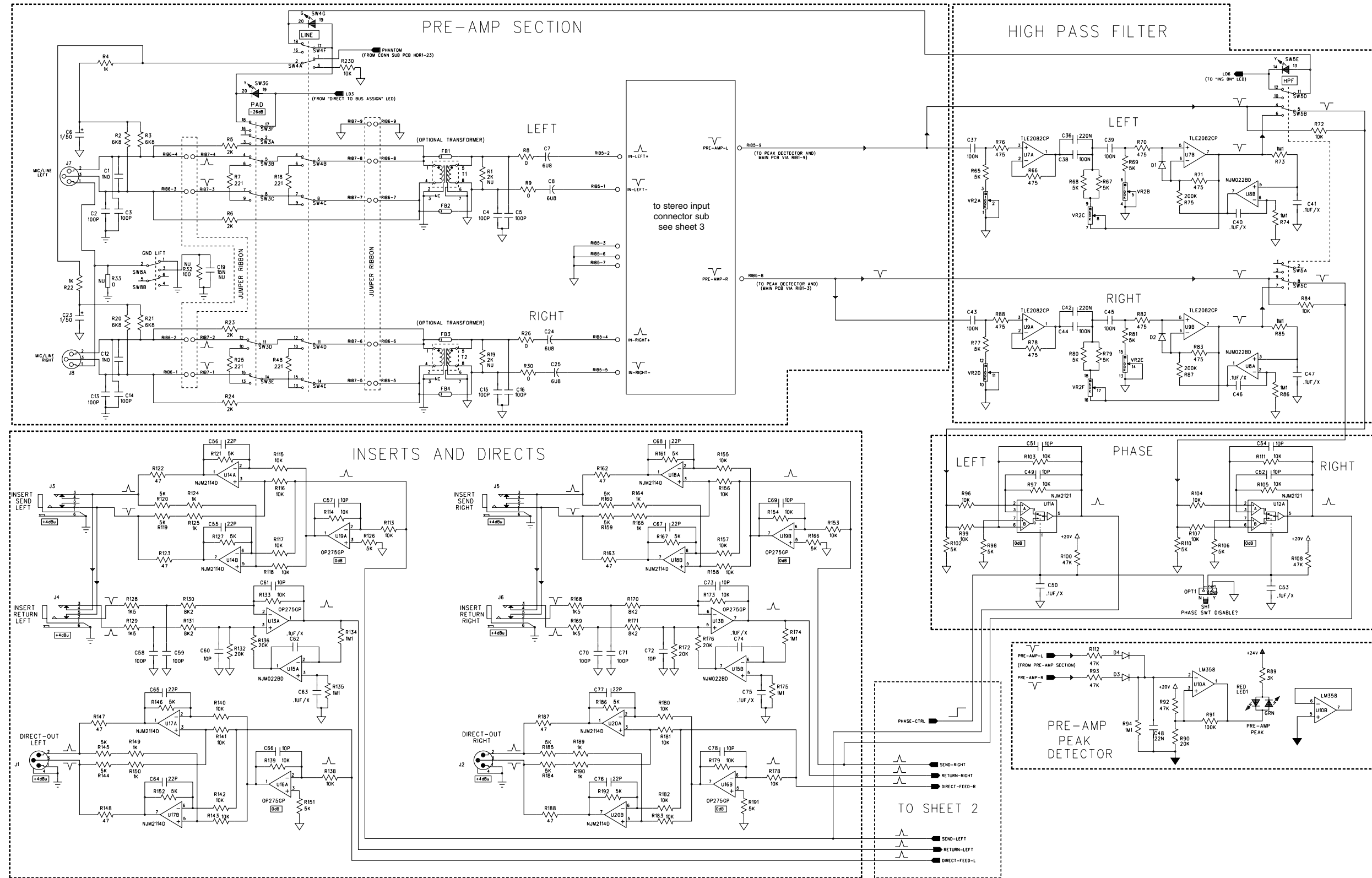


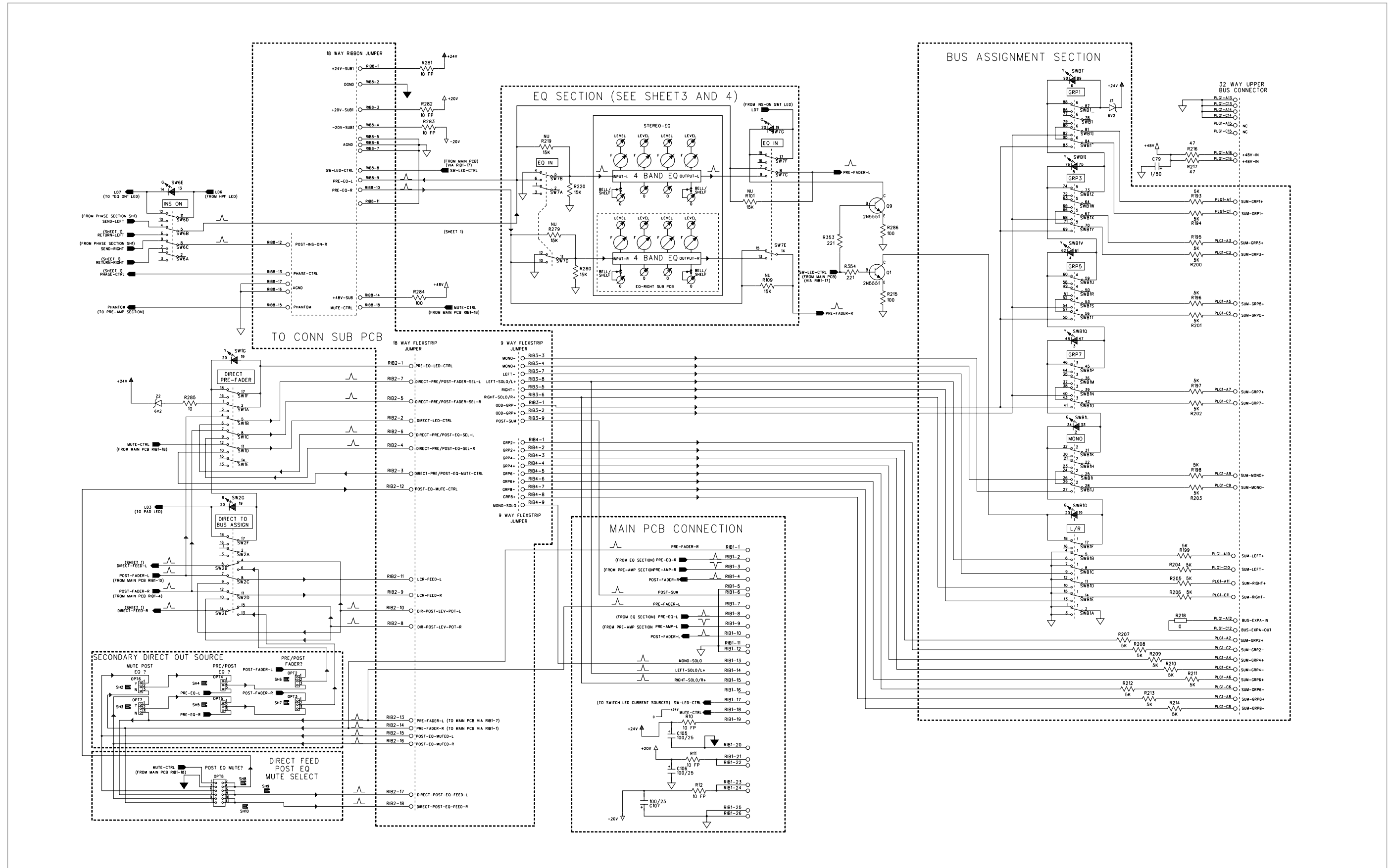


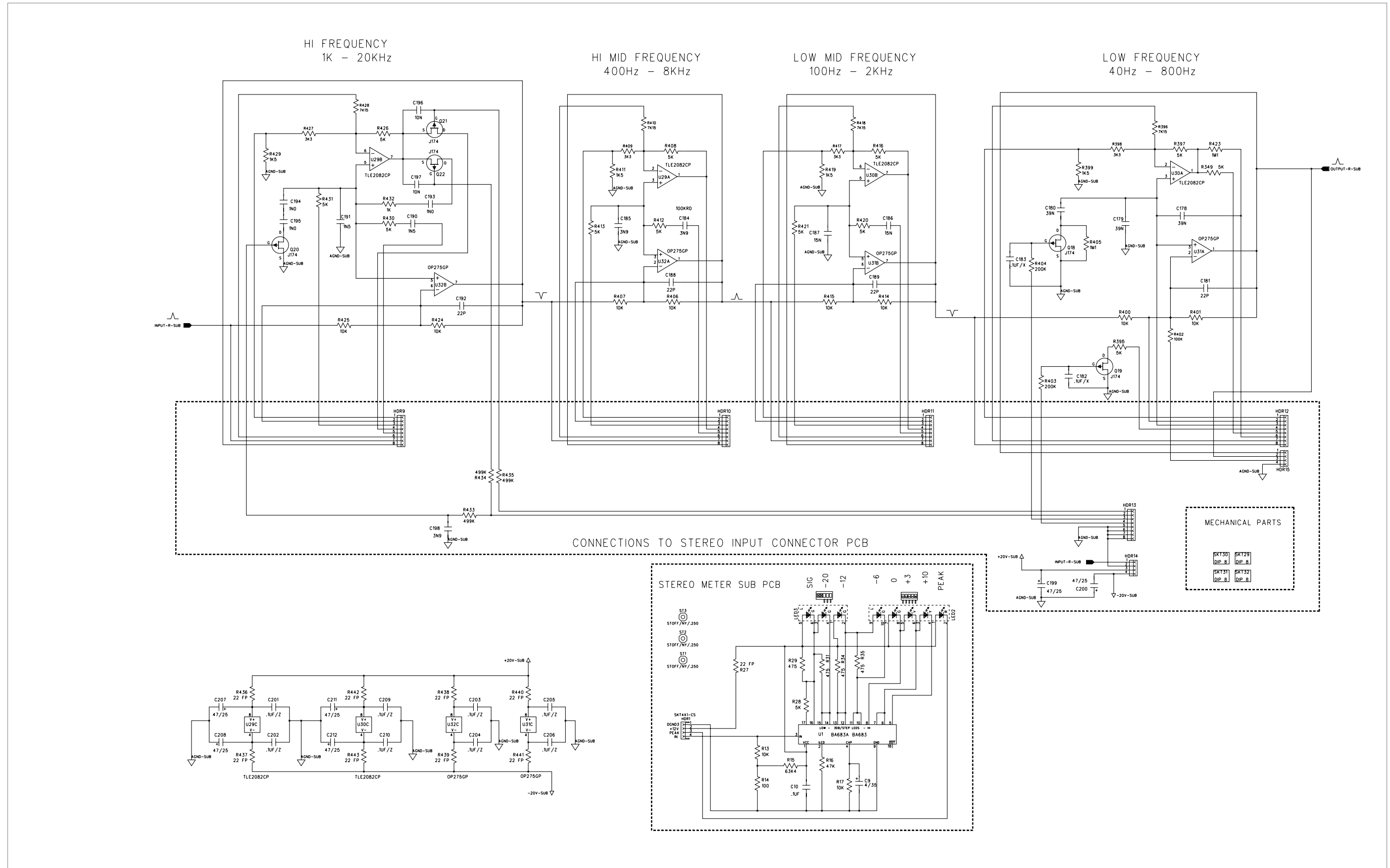
DCO/ECO #	CHANGE DESCRIPTION	PARTS CHANGED	ENGINEER
dc0775	AUX 5/6/7/8 PRE AUX MUTE TRIM SOLO CROSSTALK TRIM	R140 FROM 475R TO NU R139 FROM 221R TO 100R0 R260 FROM 4K99 TO 1K50 R120 FROM 1K0 TO 221R R261 FROM 4K99 TO 324R R136 FROM 1K0 TO 100R0	TAZ

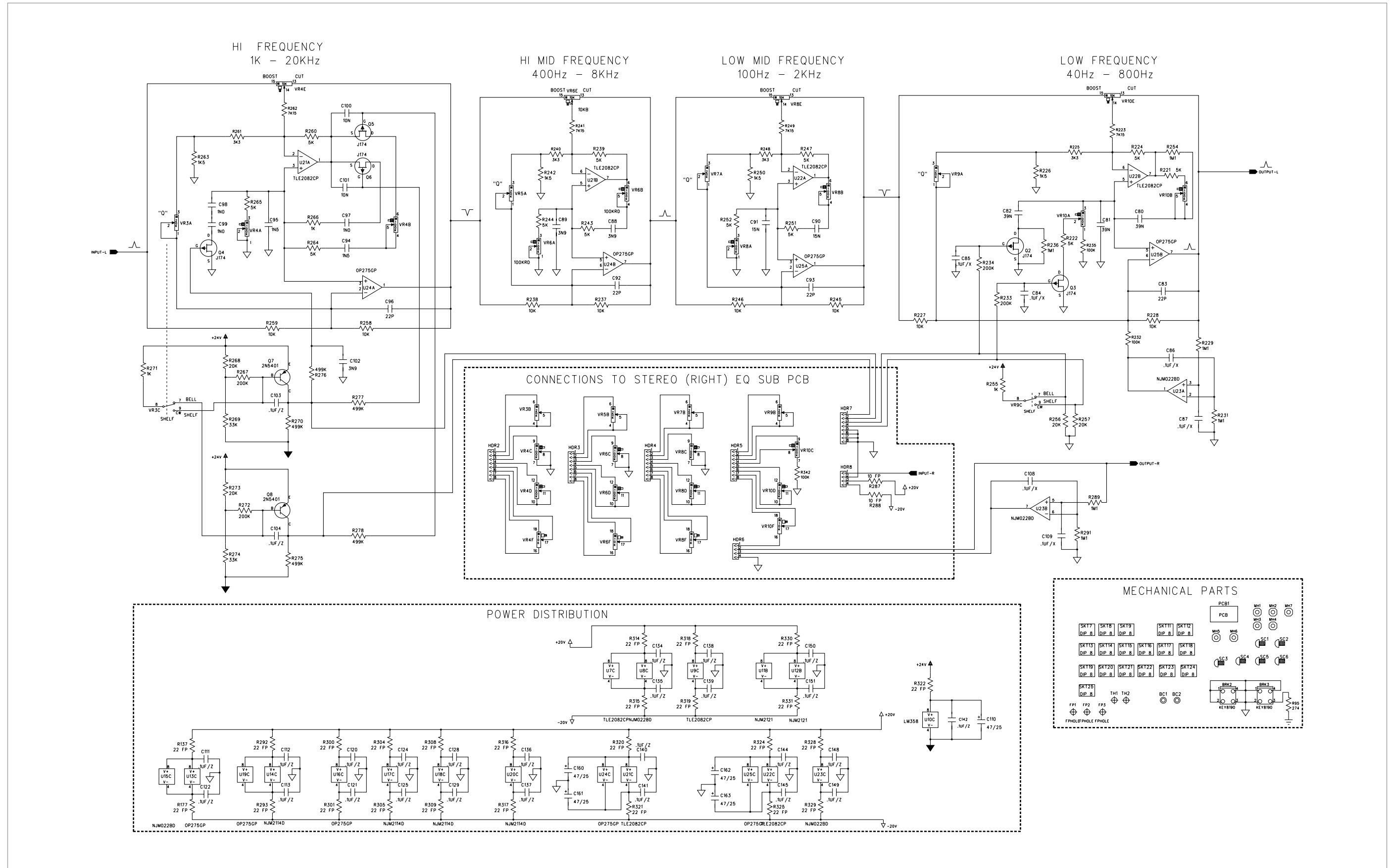


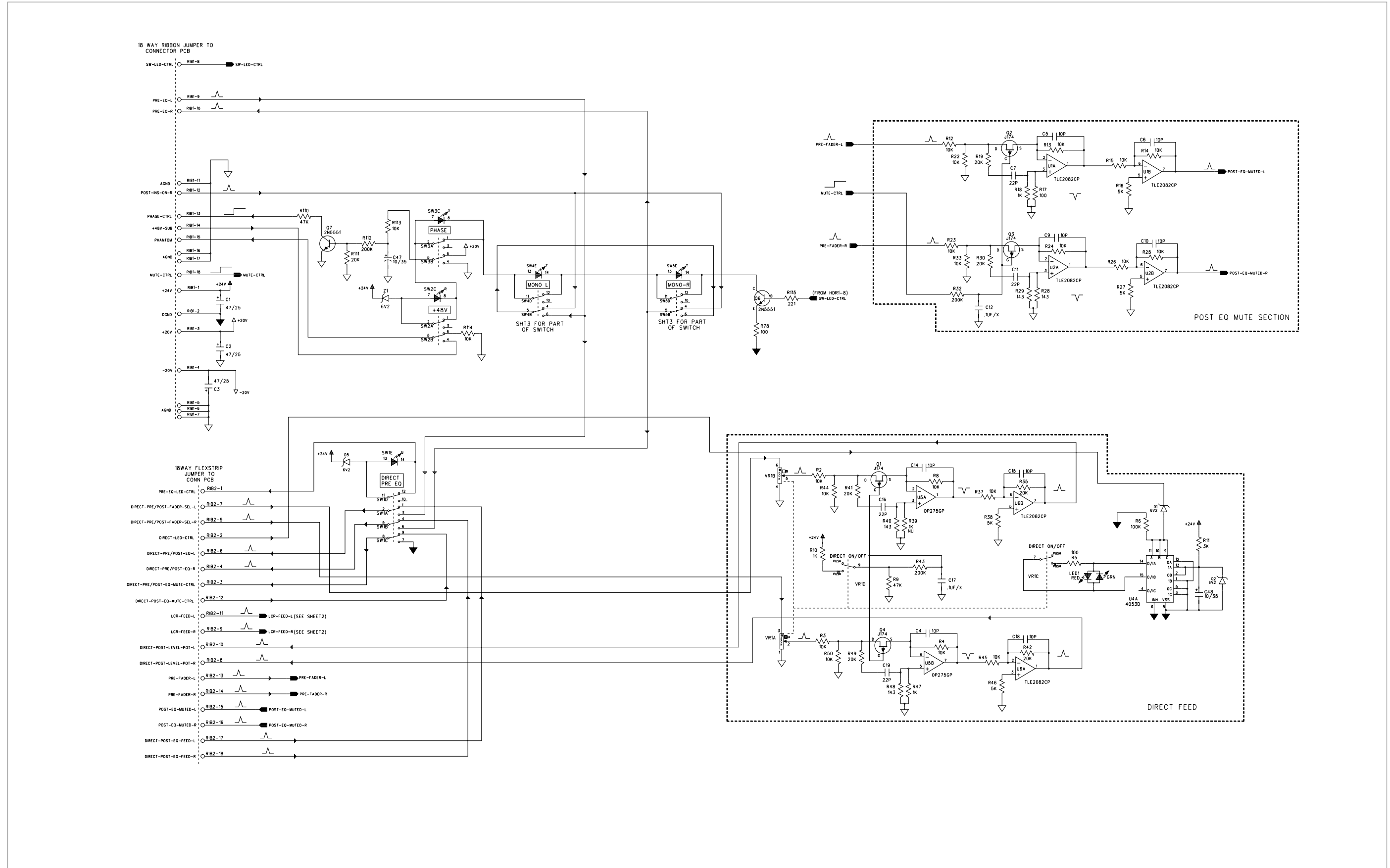


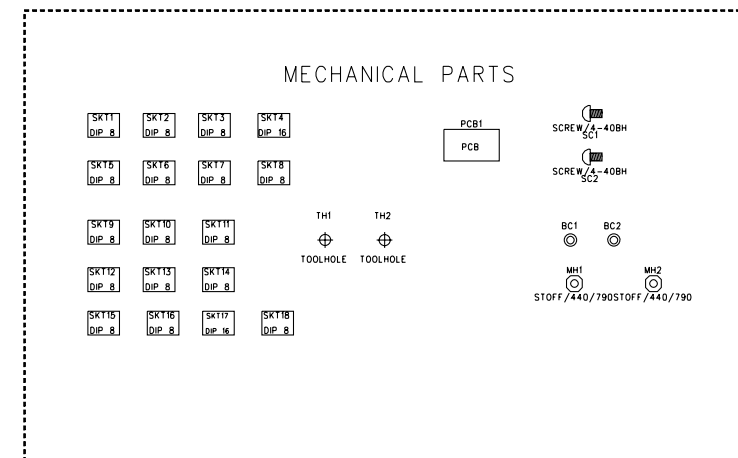
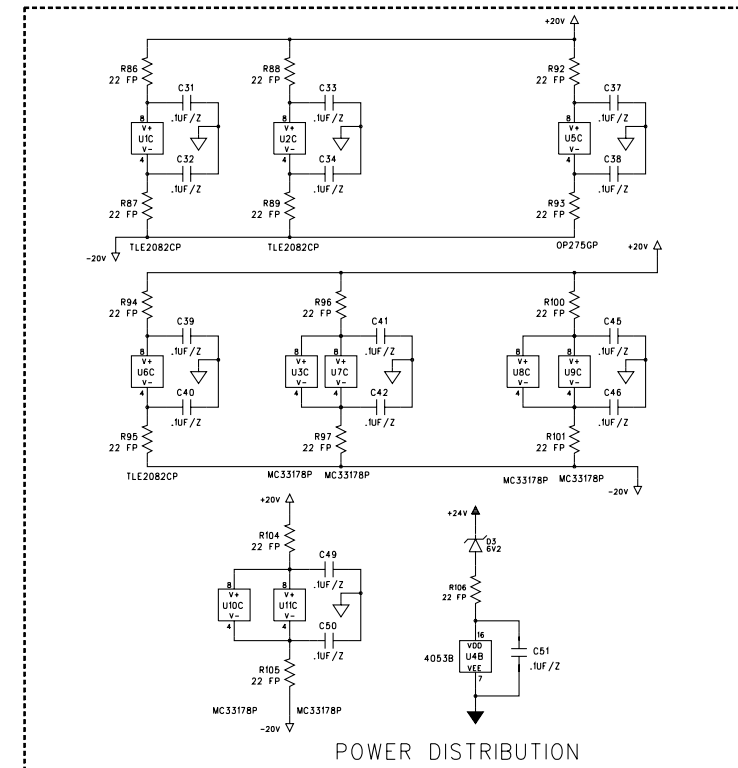
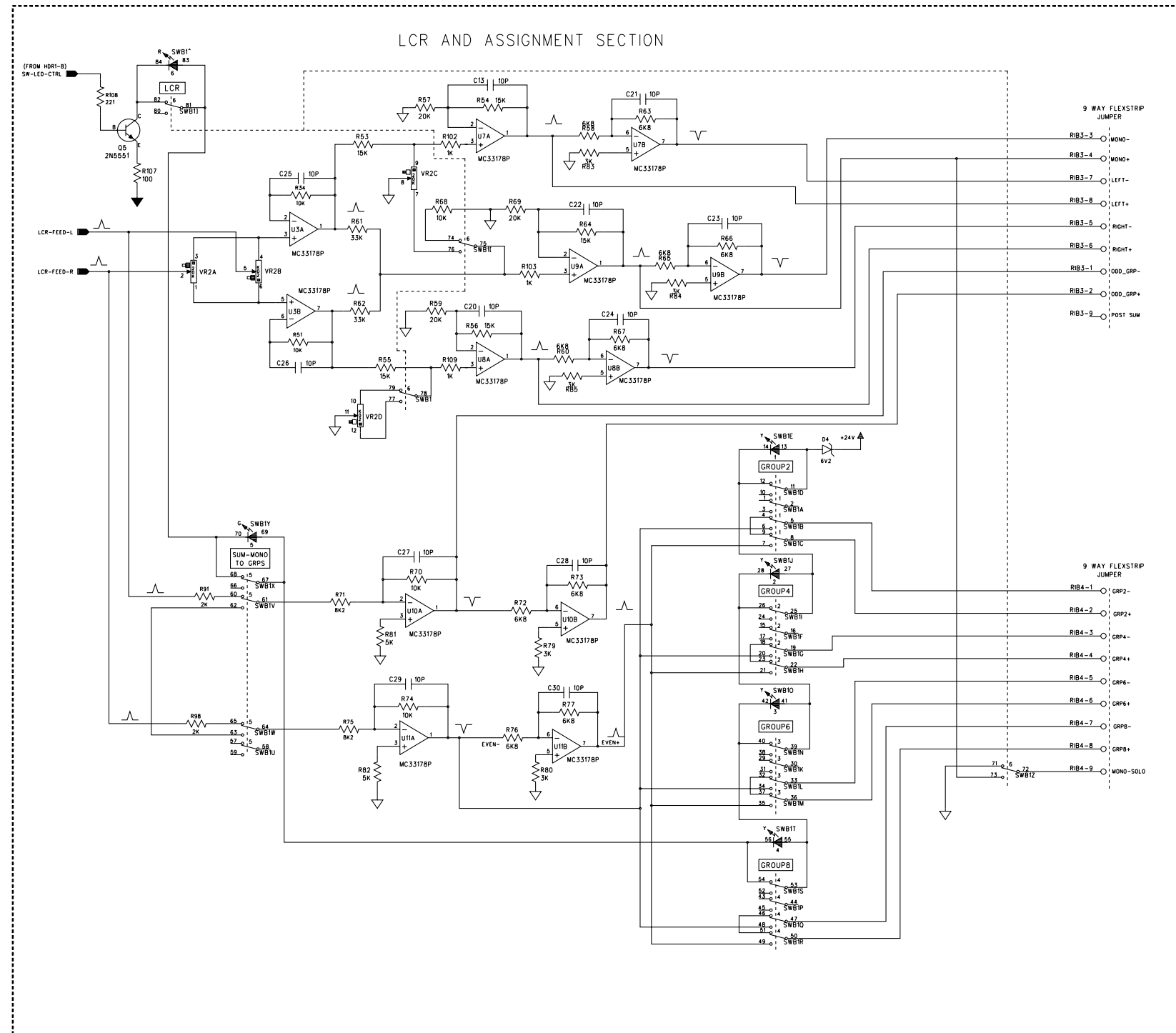


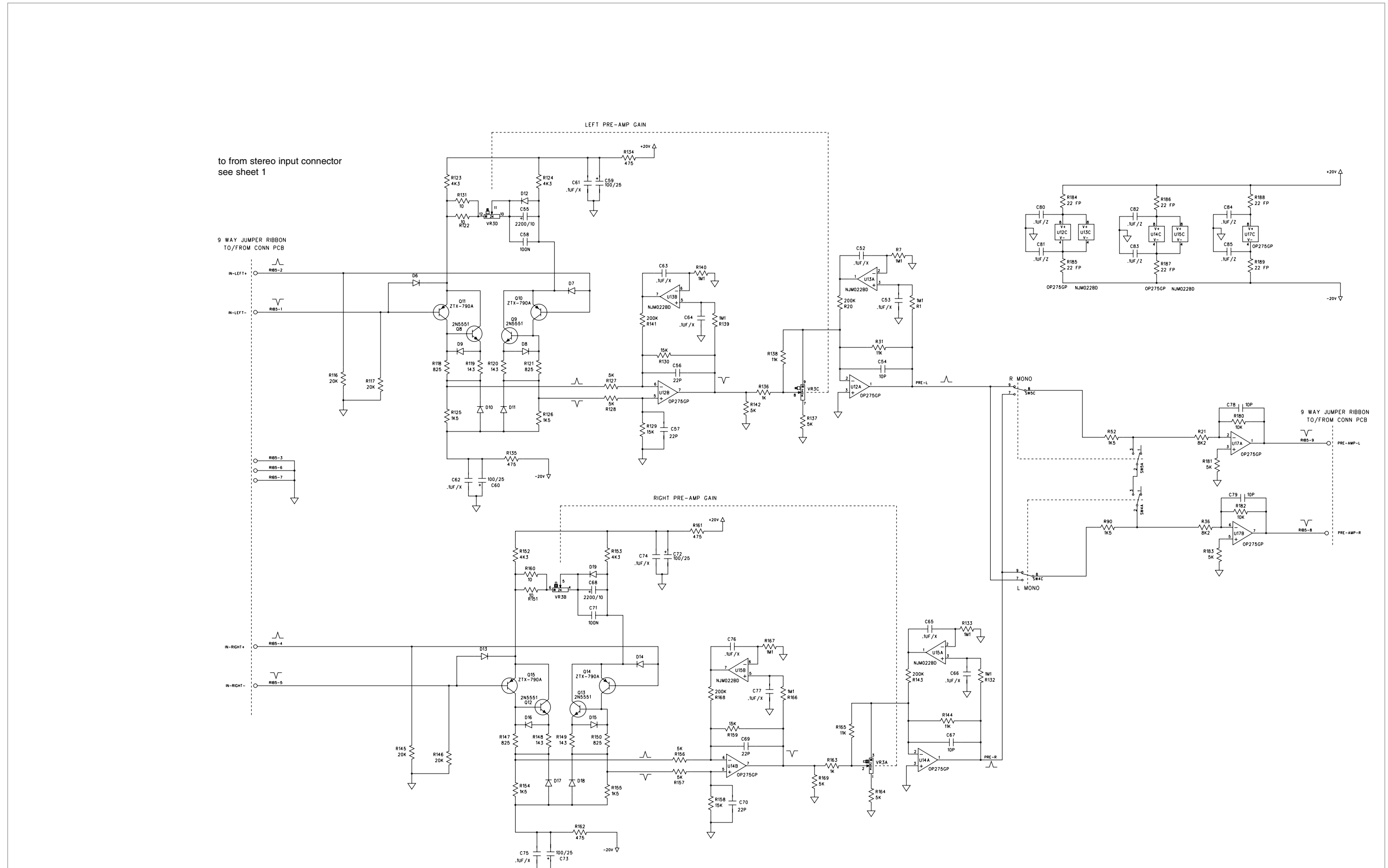


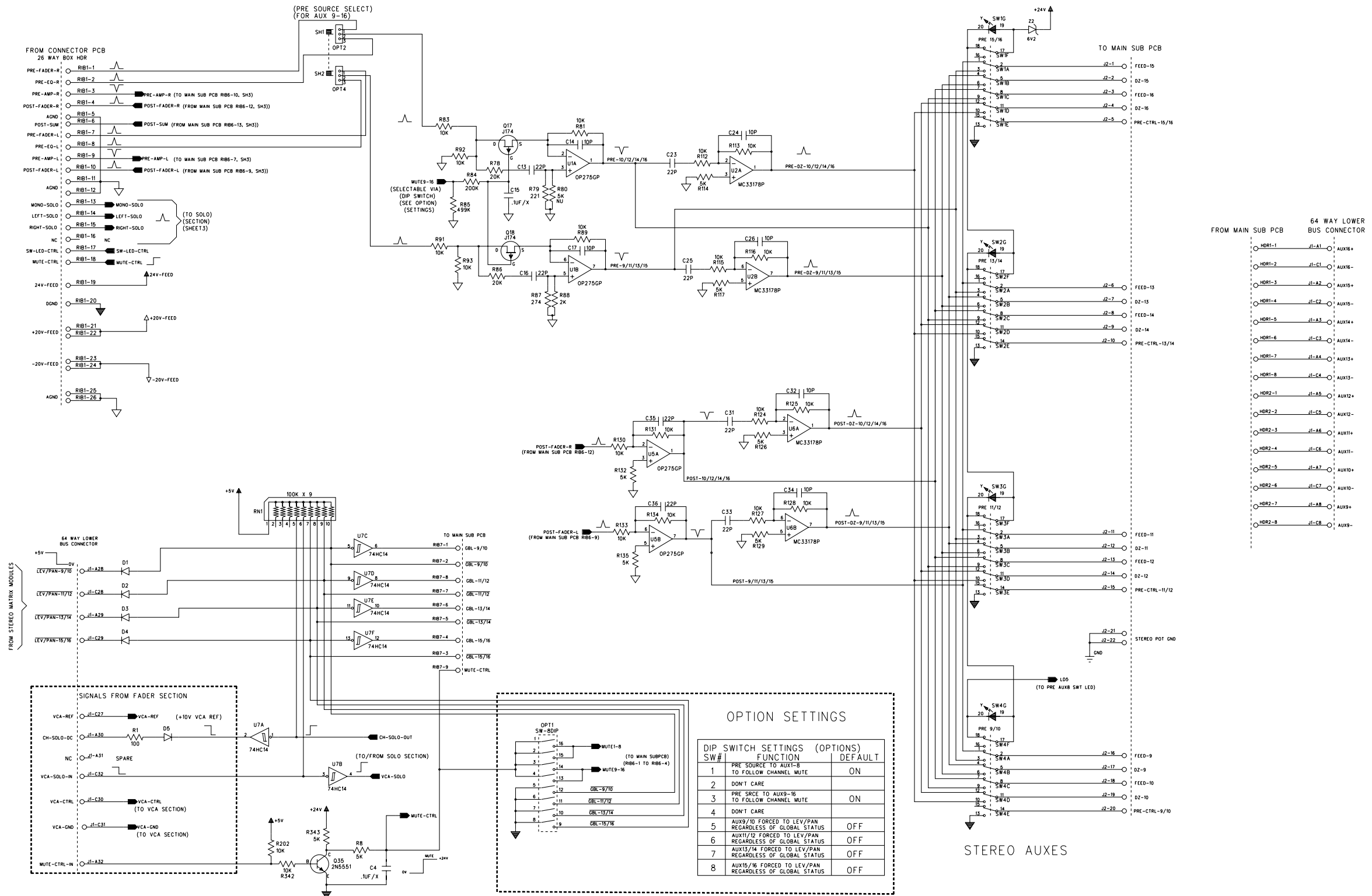


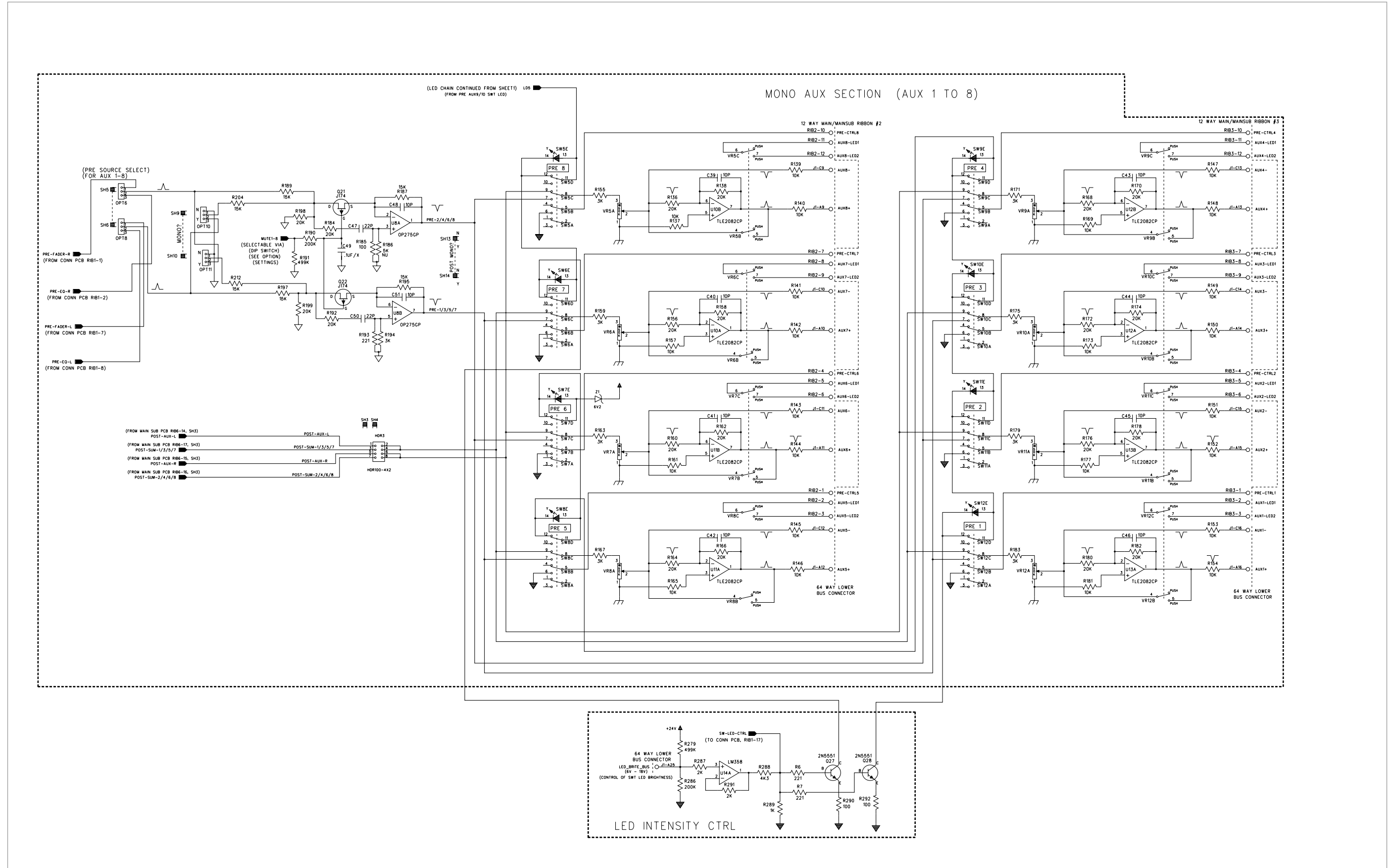


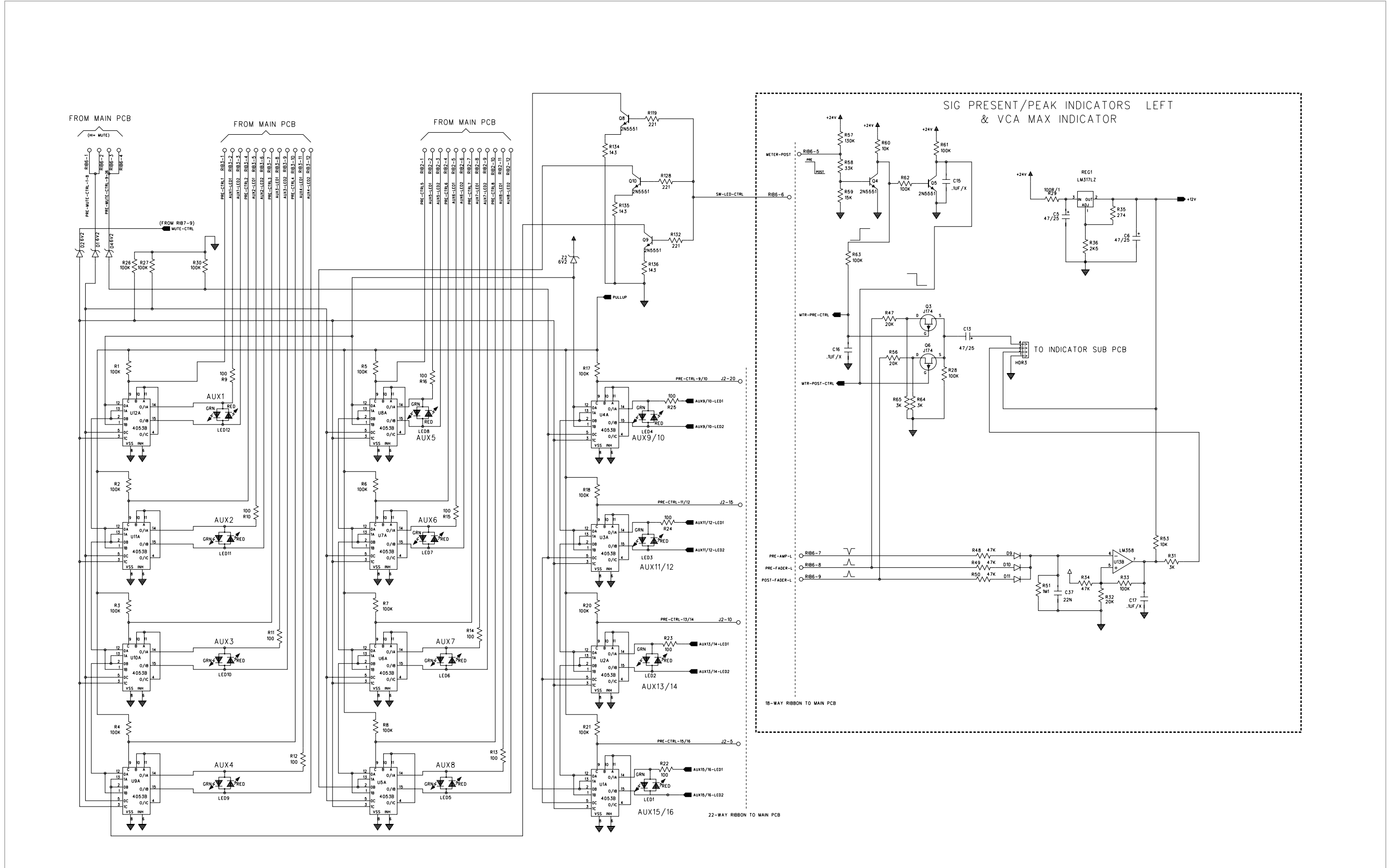


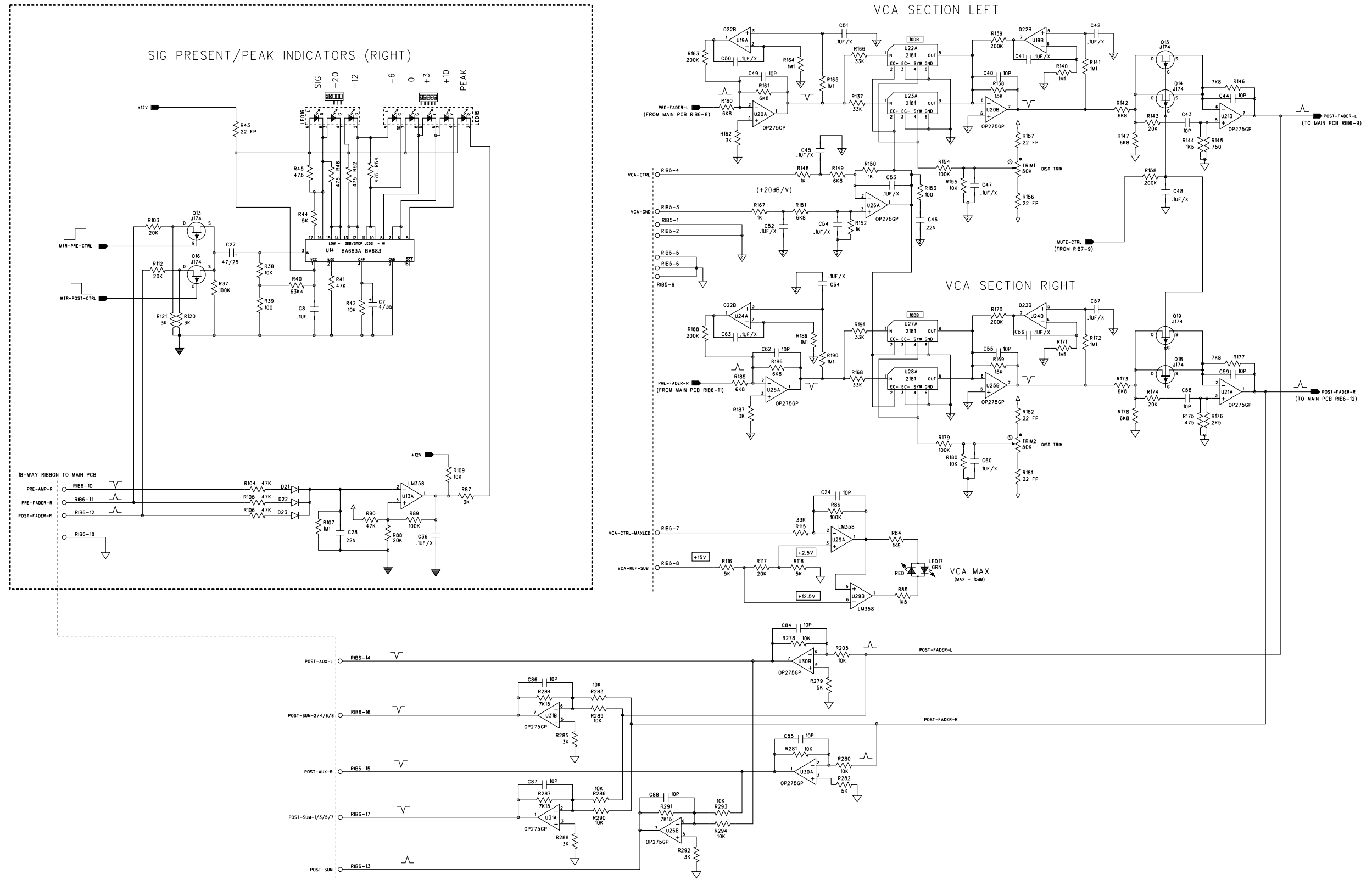


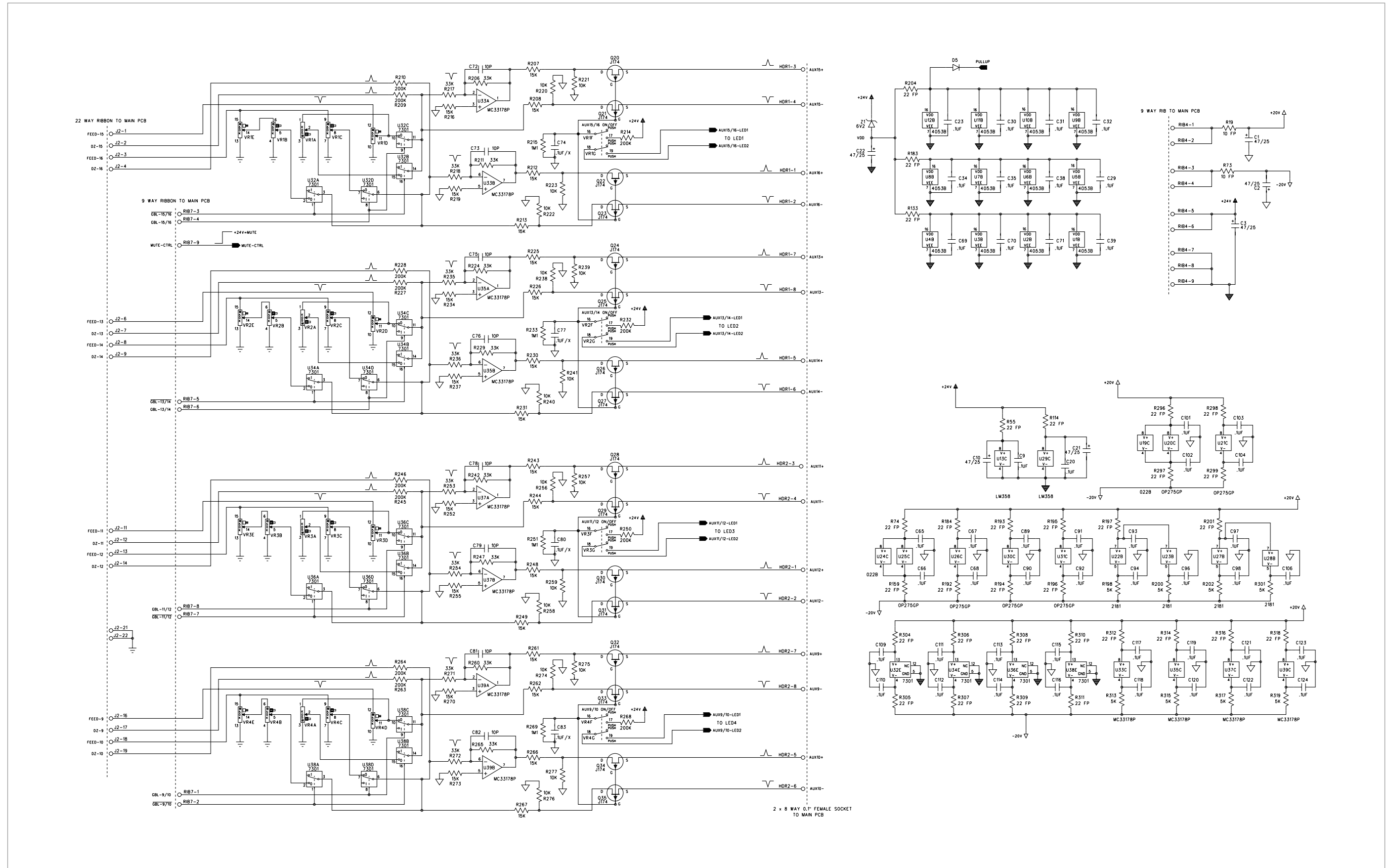




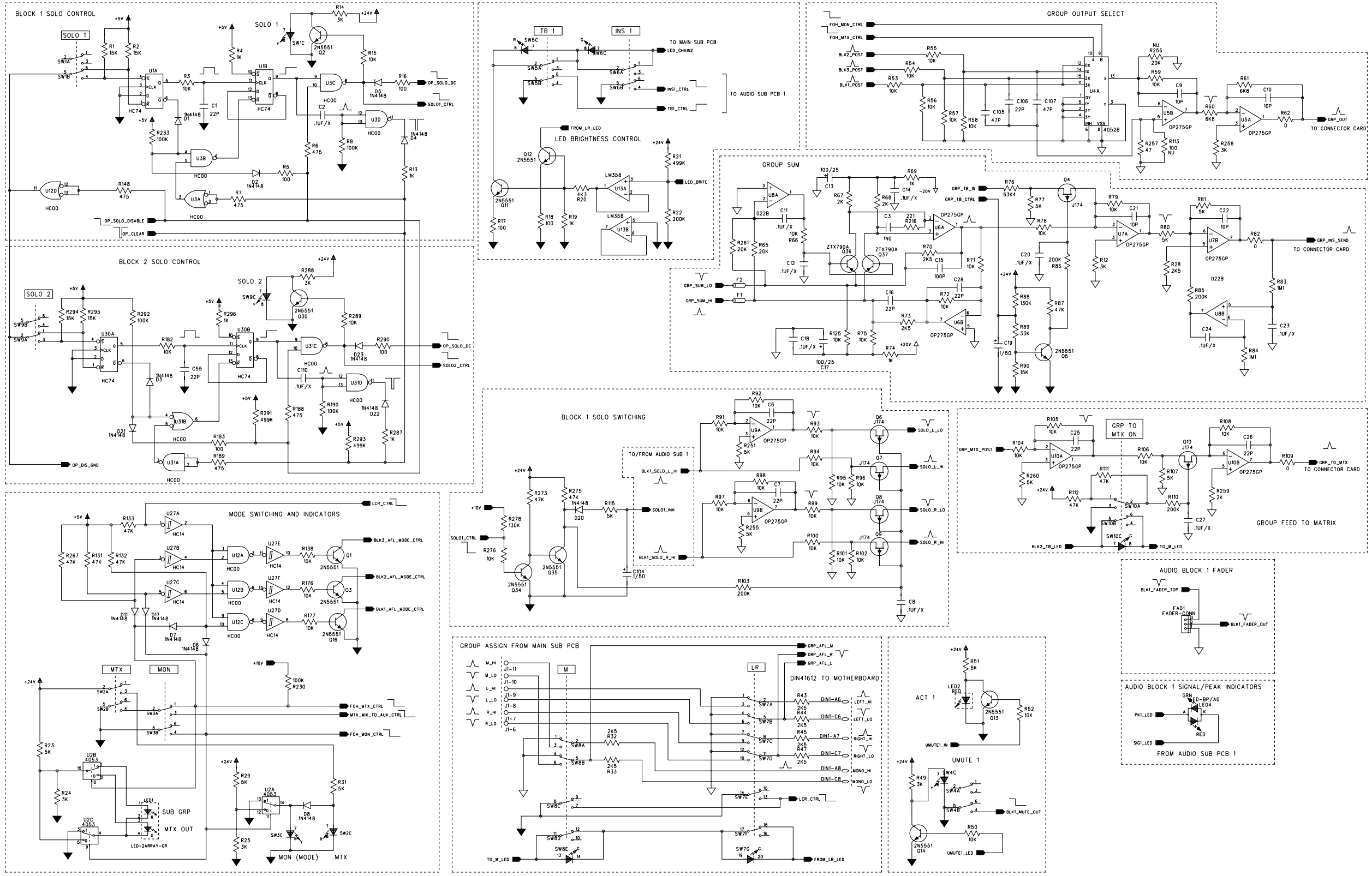


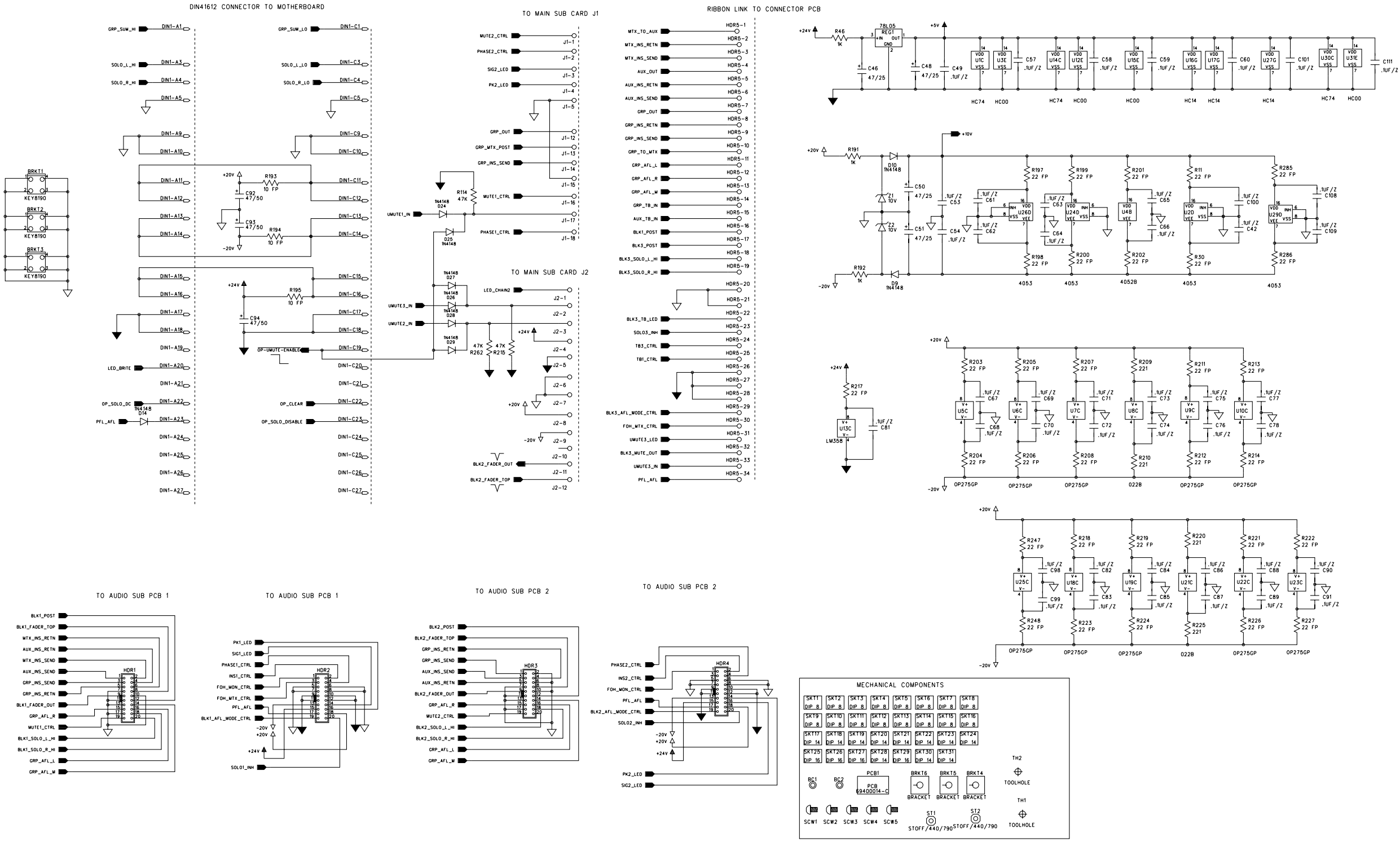


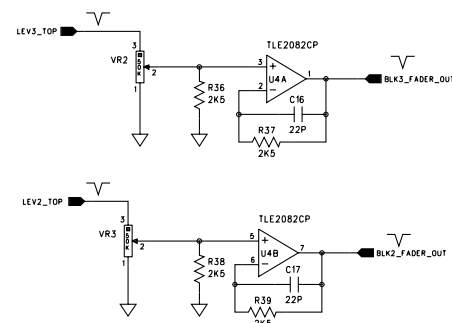
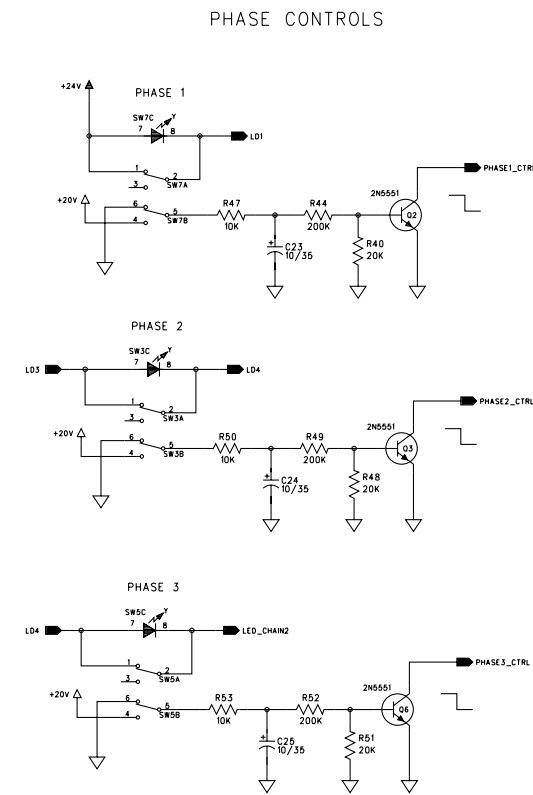
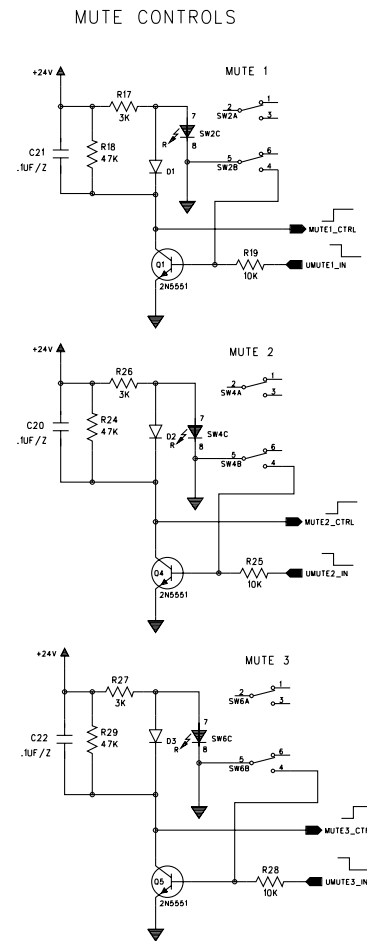
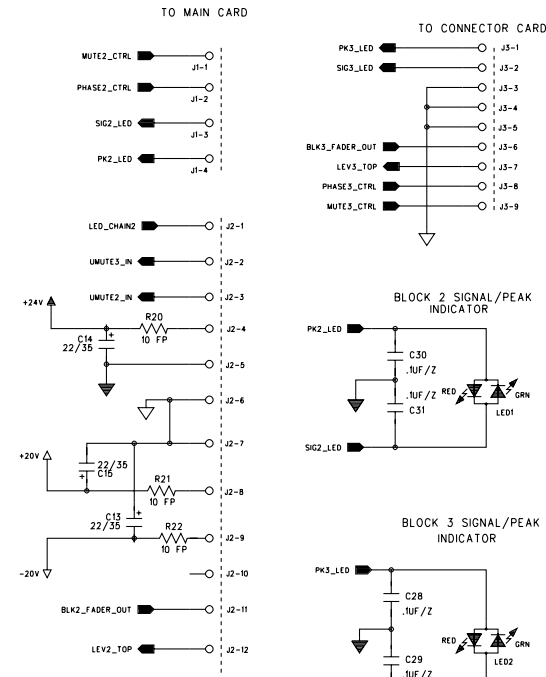
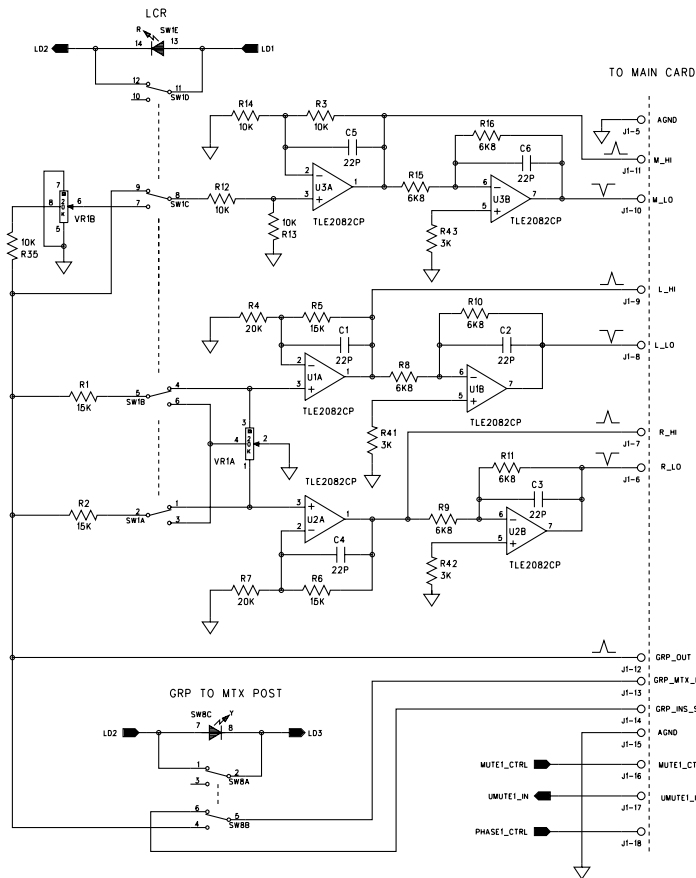




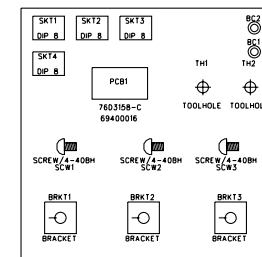
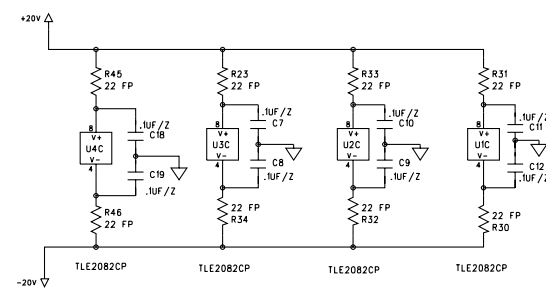
2 x 8 WAY D.T. FEMALE SOCKET TO MAIN PCB

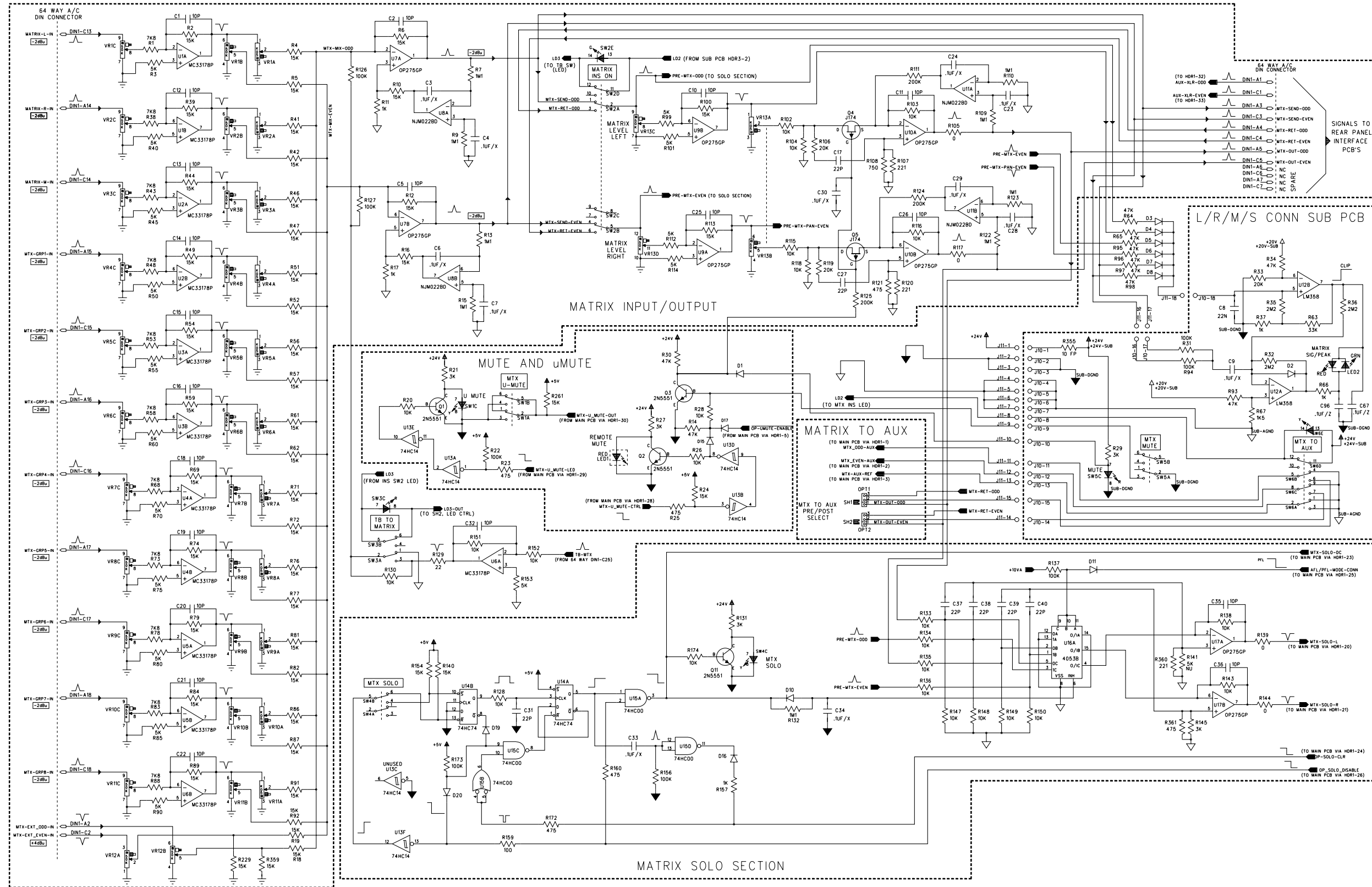


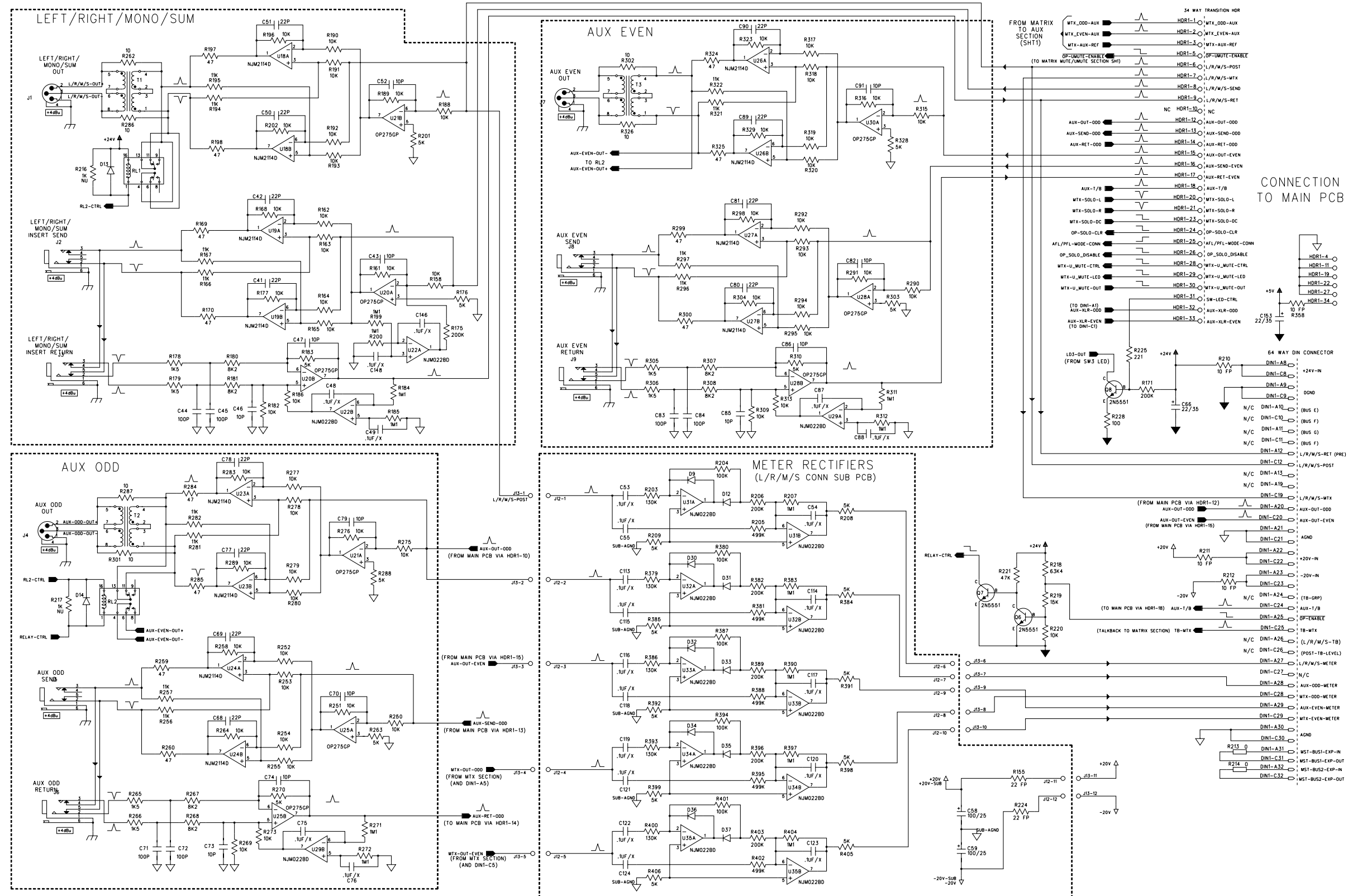


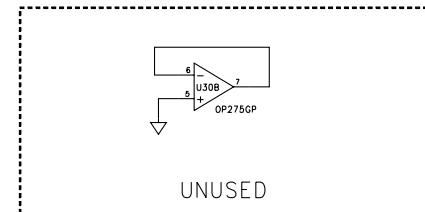
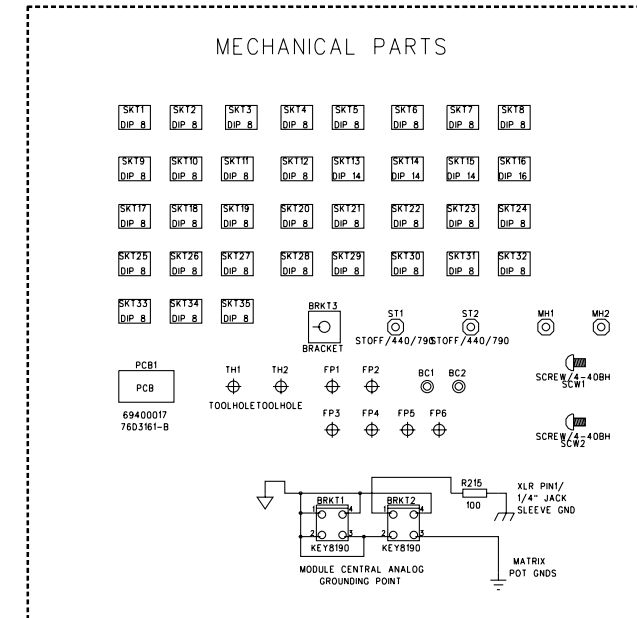
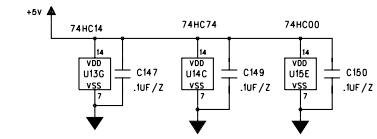
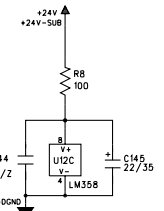
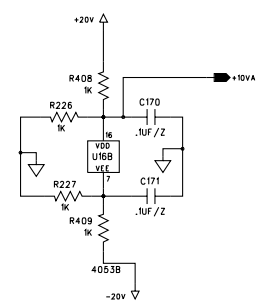
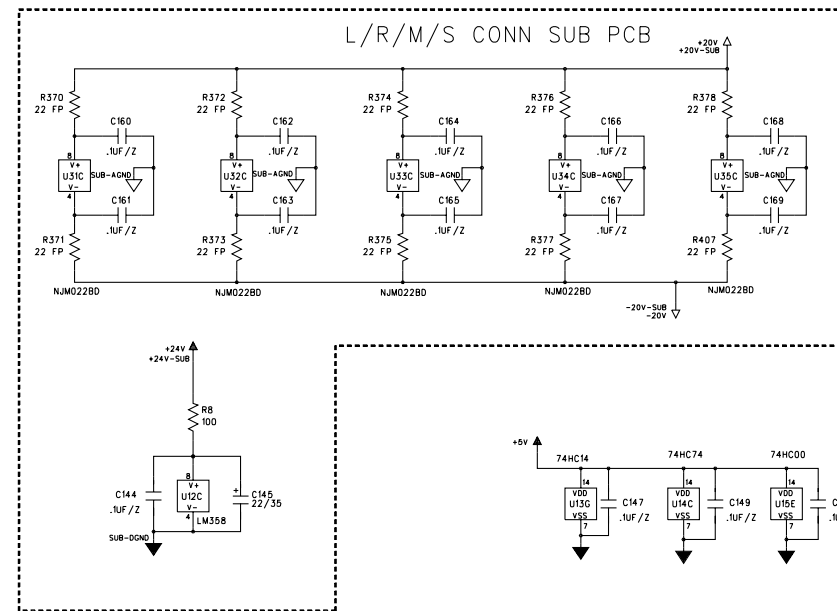
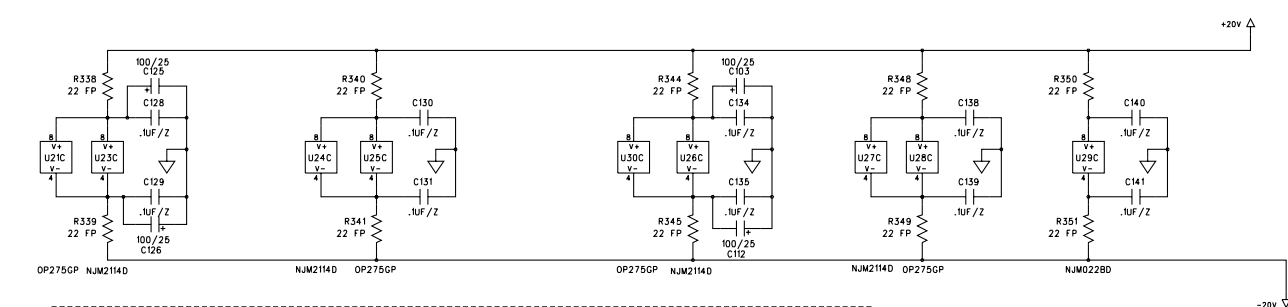
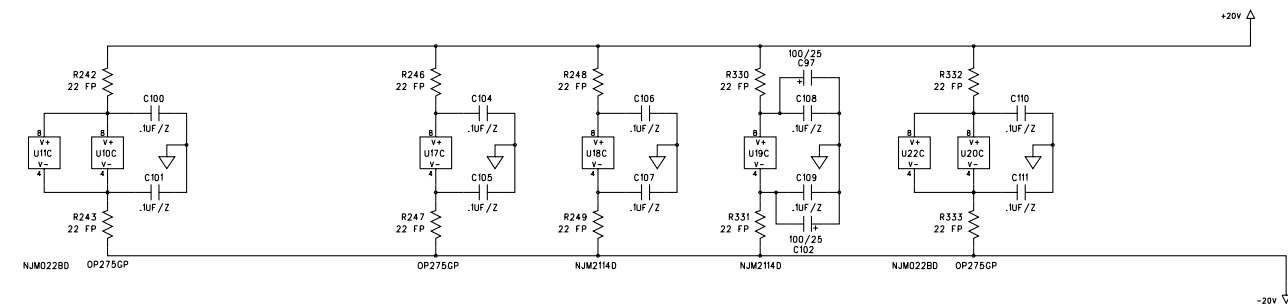
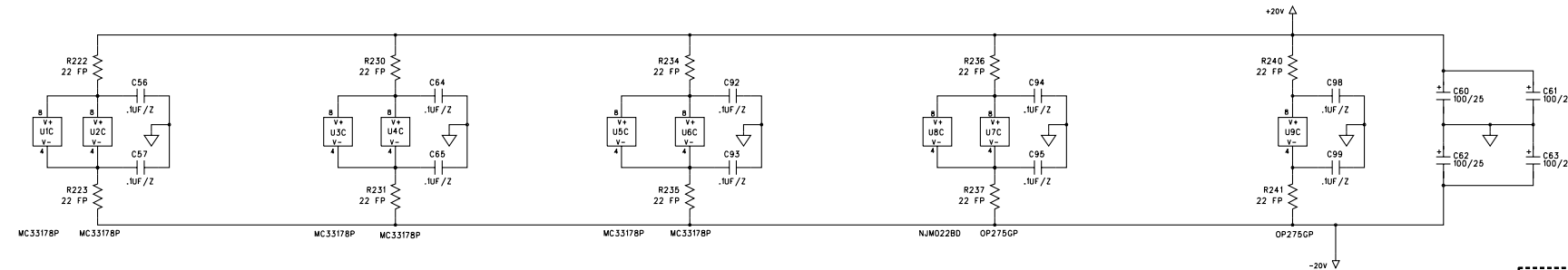


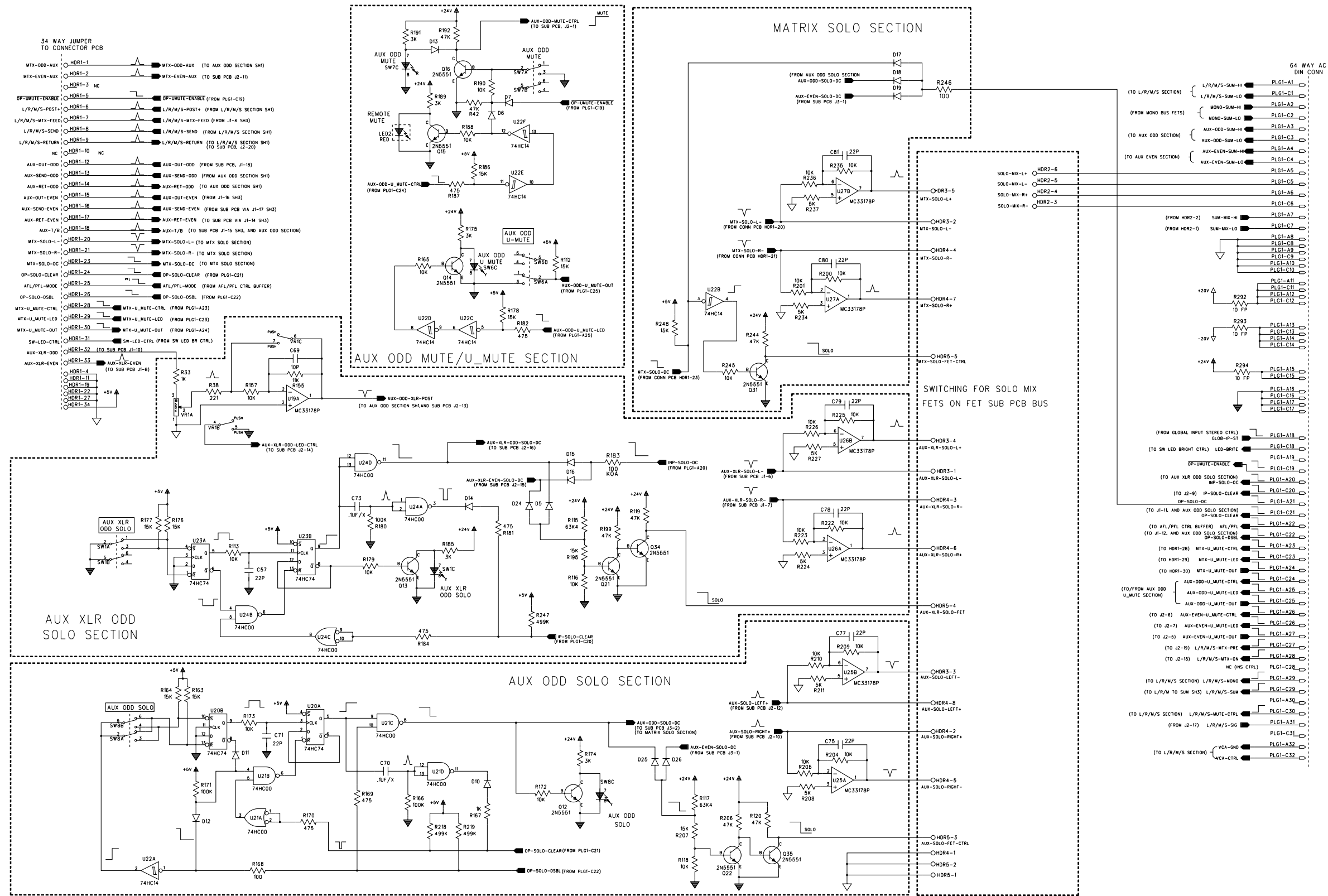
FADER BUFFERS

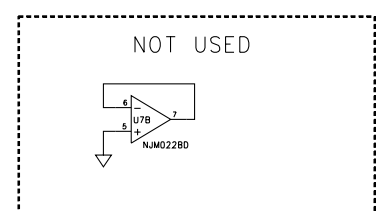
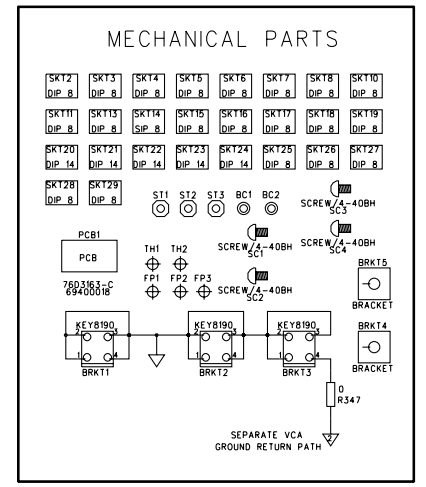
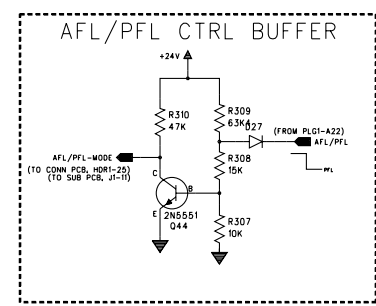
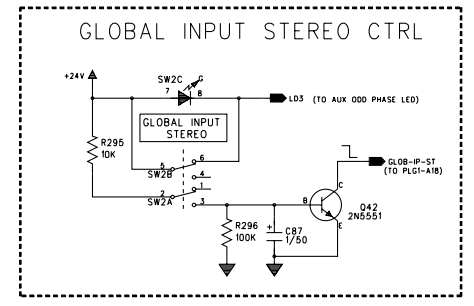
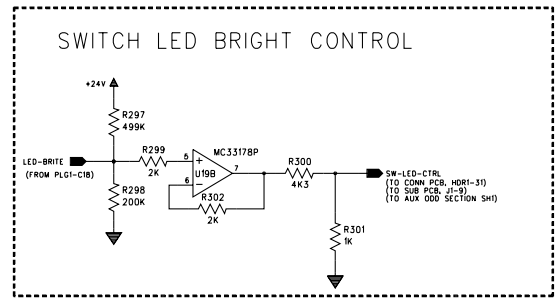
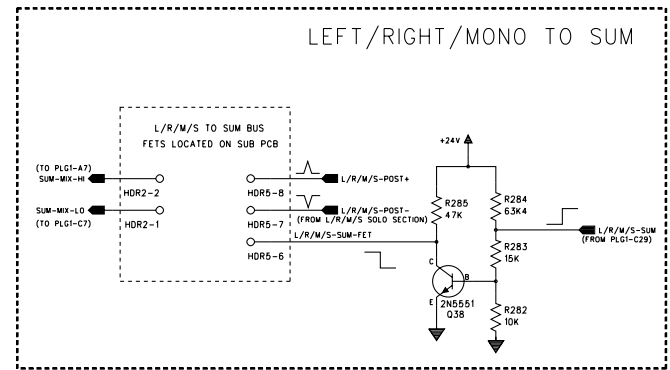
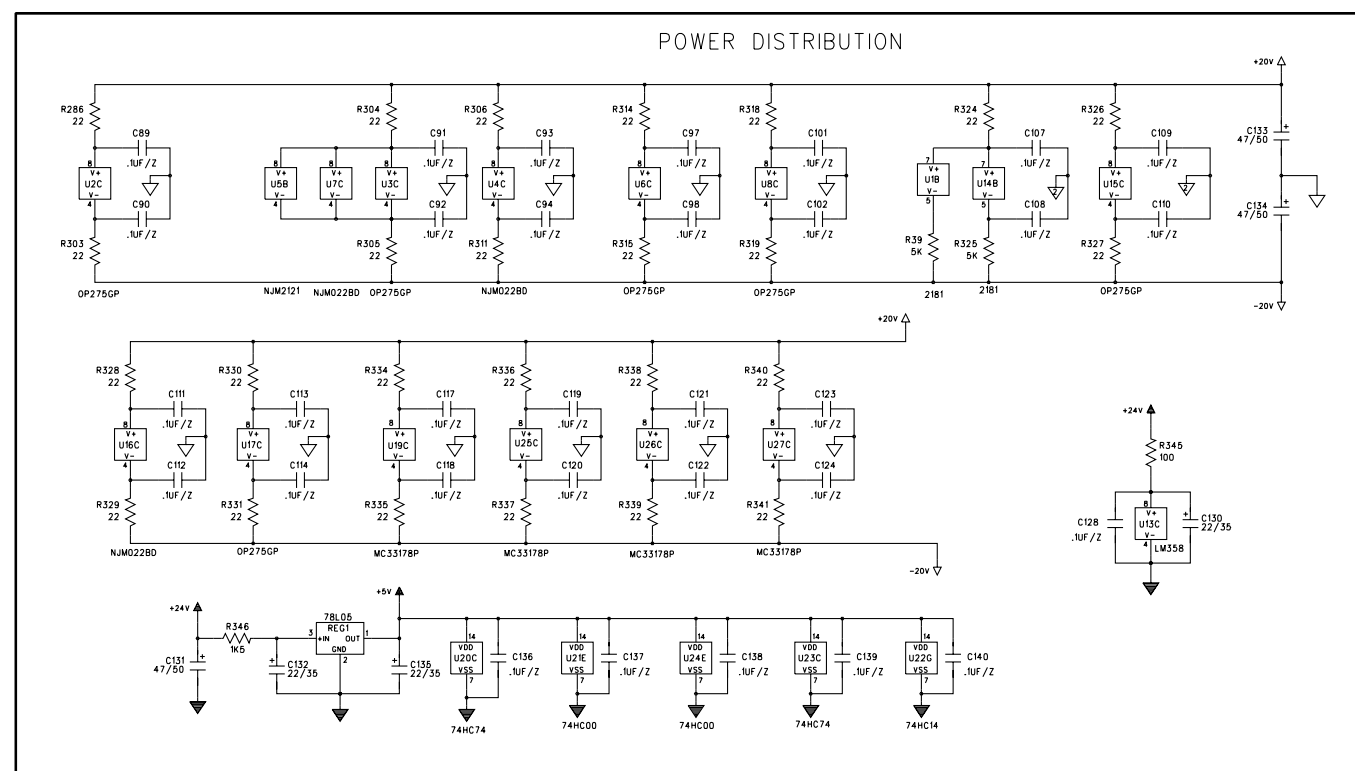
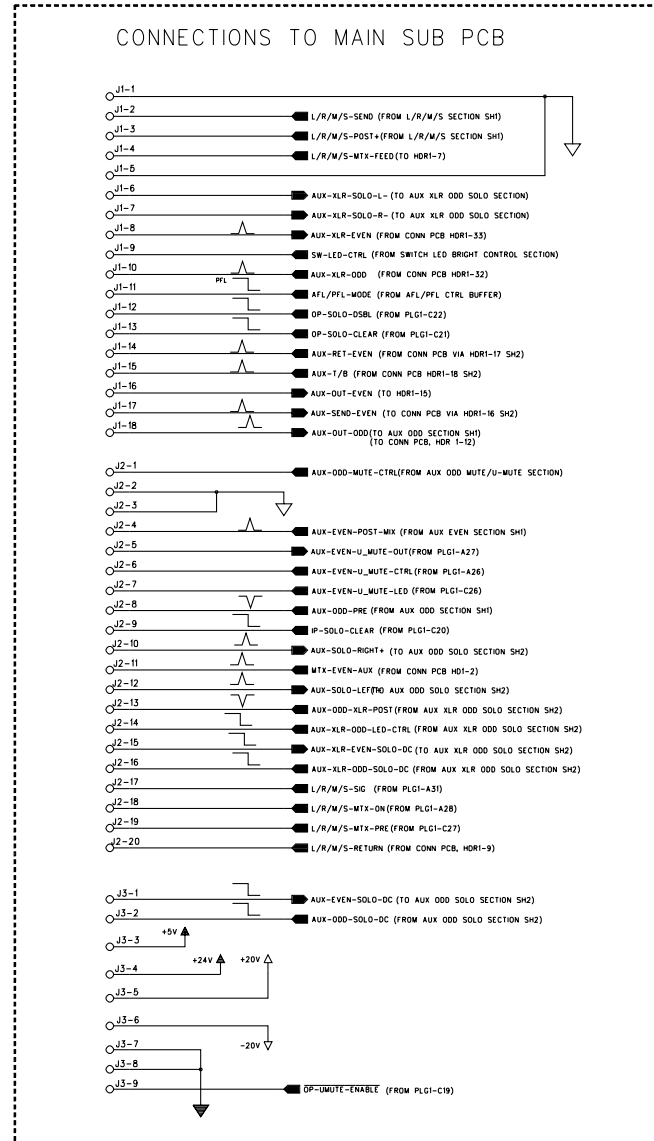




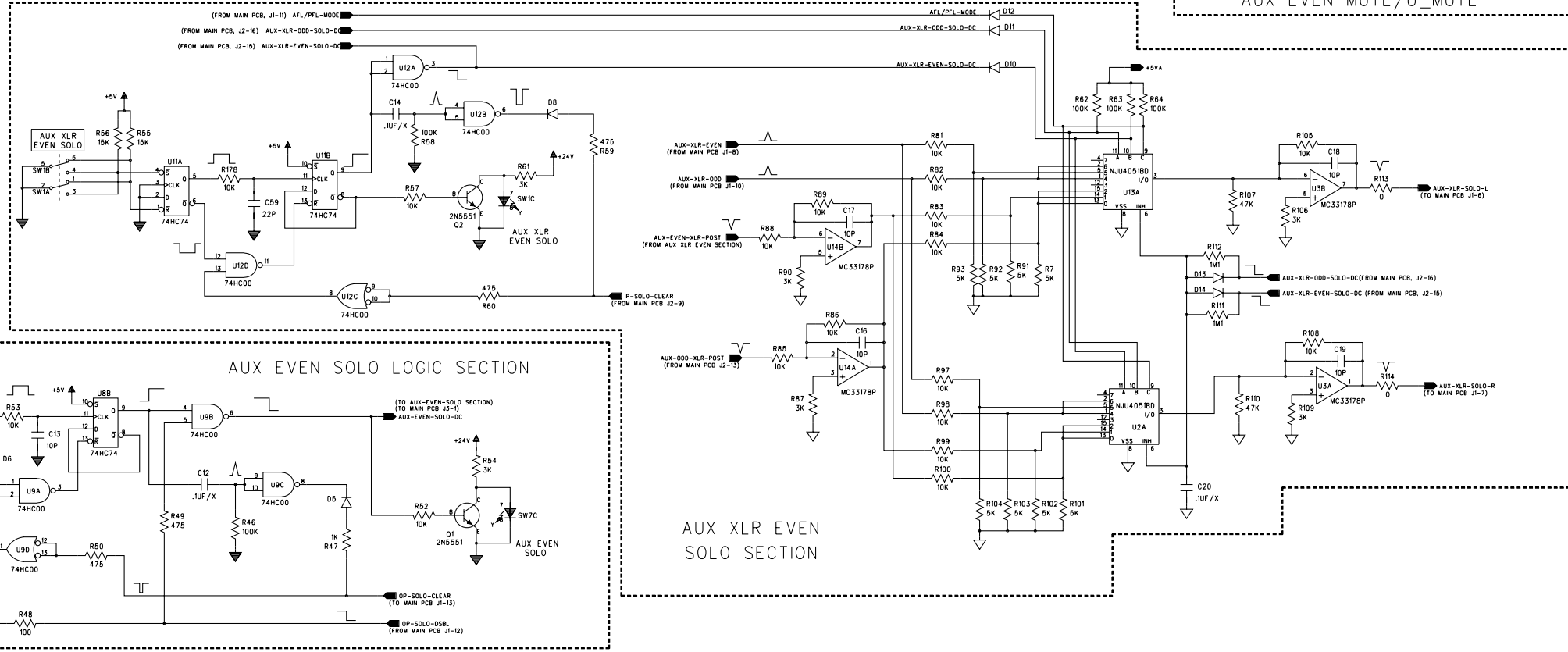
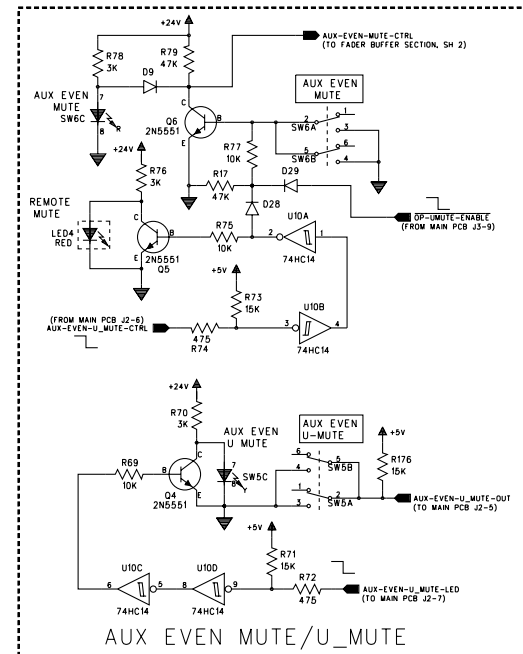
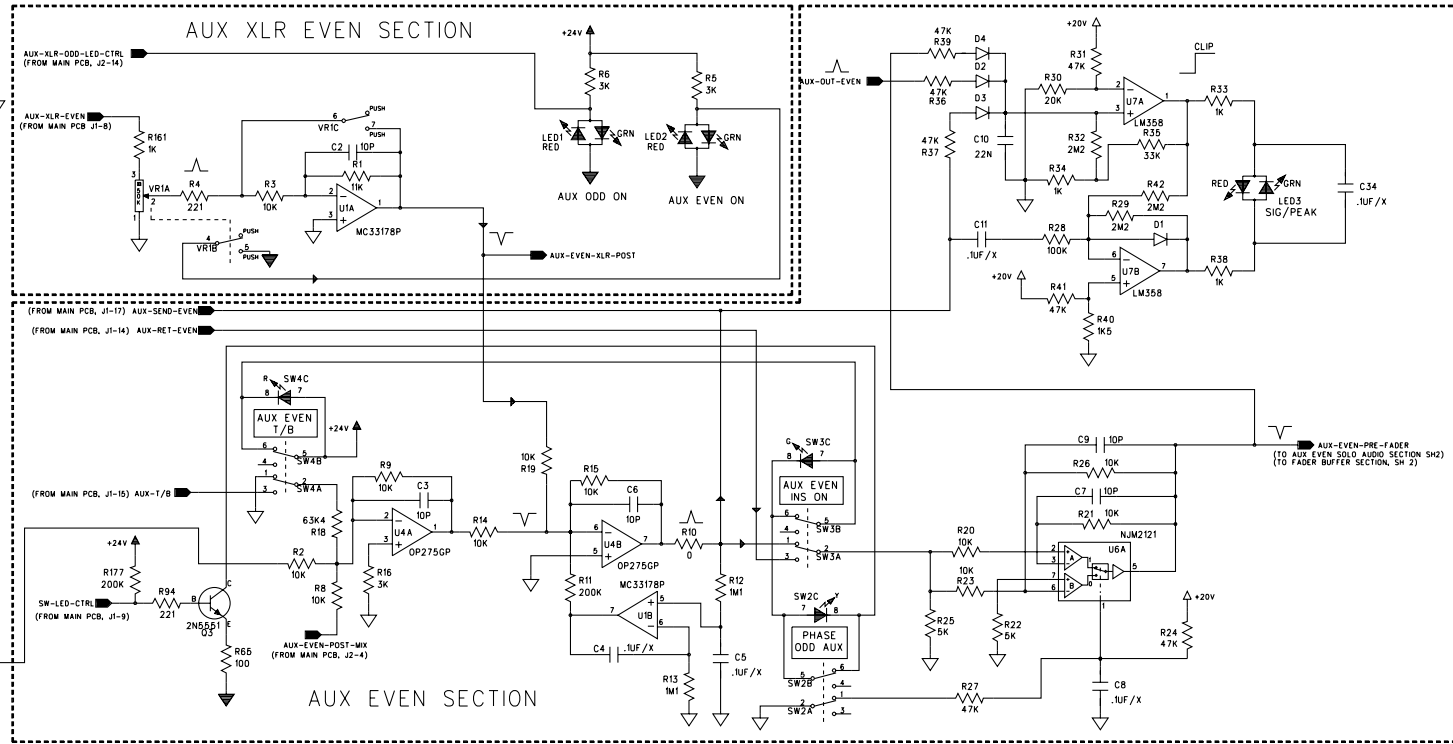
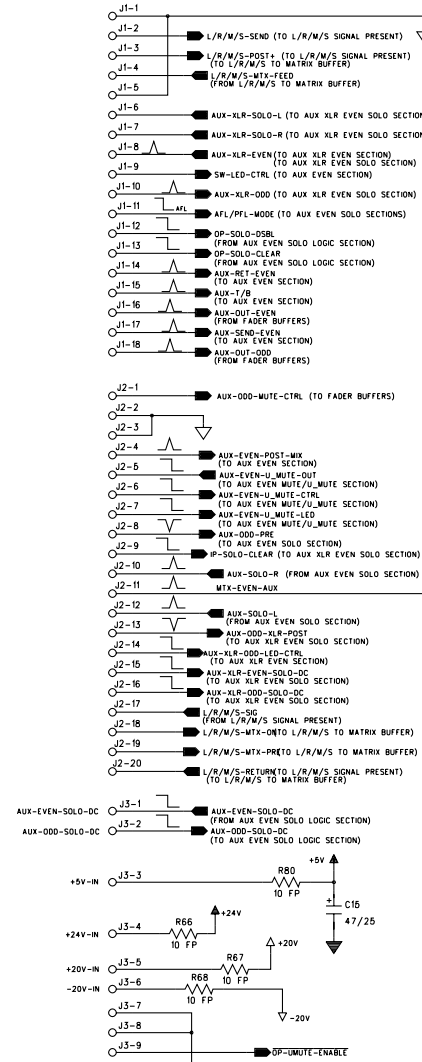


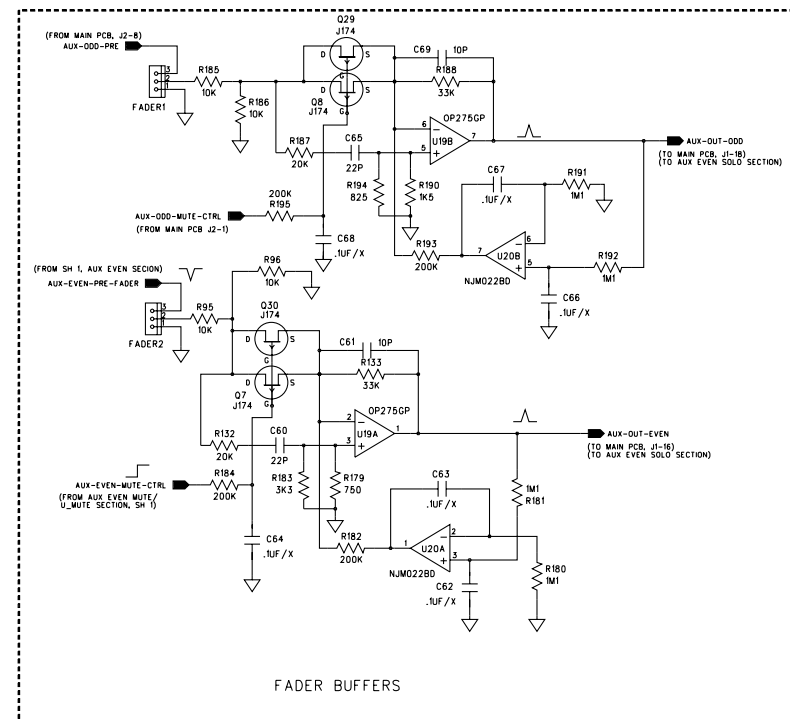
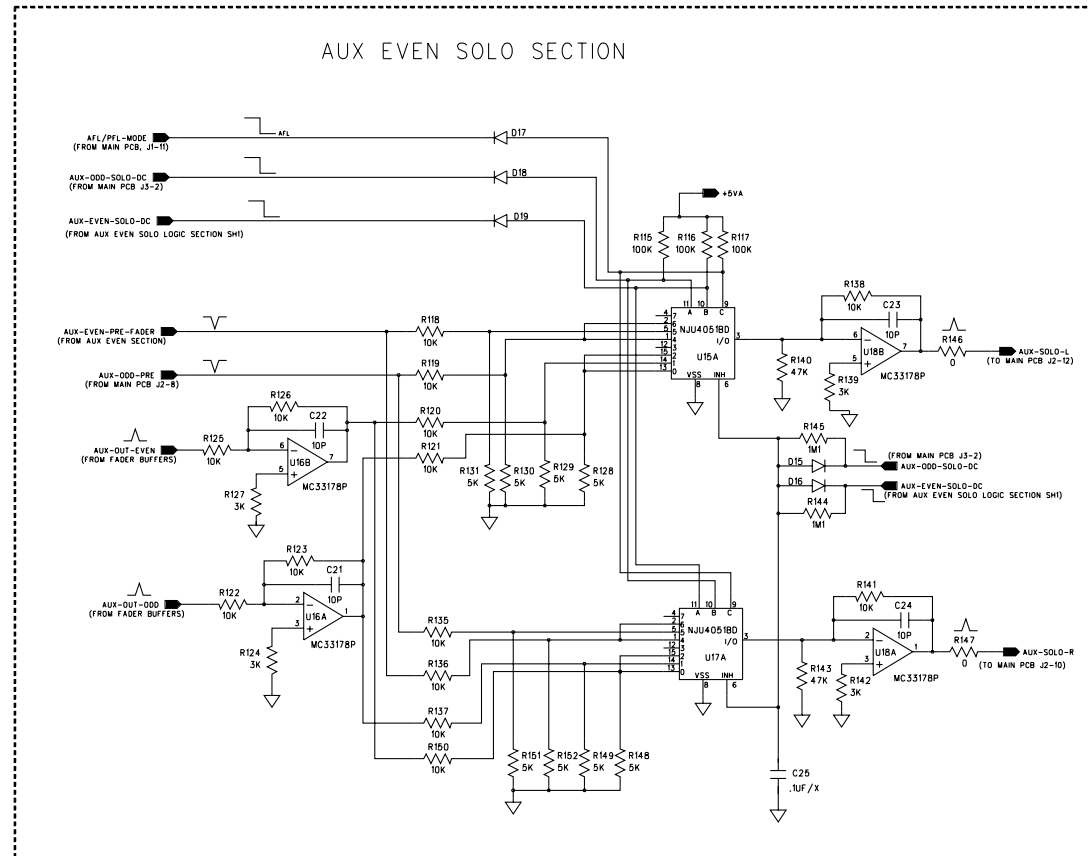






MAIN PCB CONNECTIONS



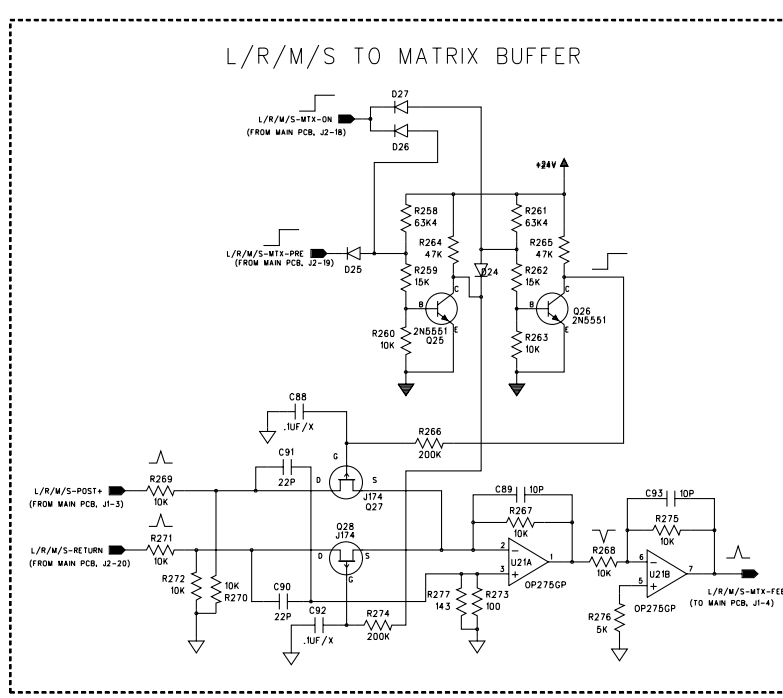
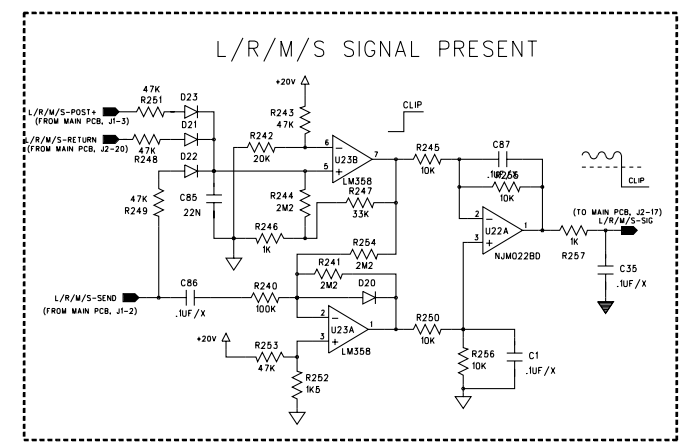
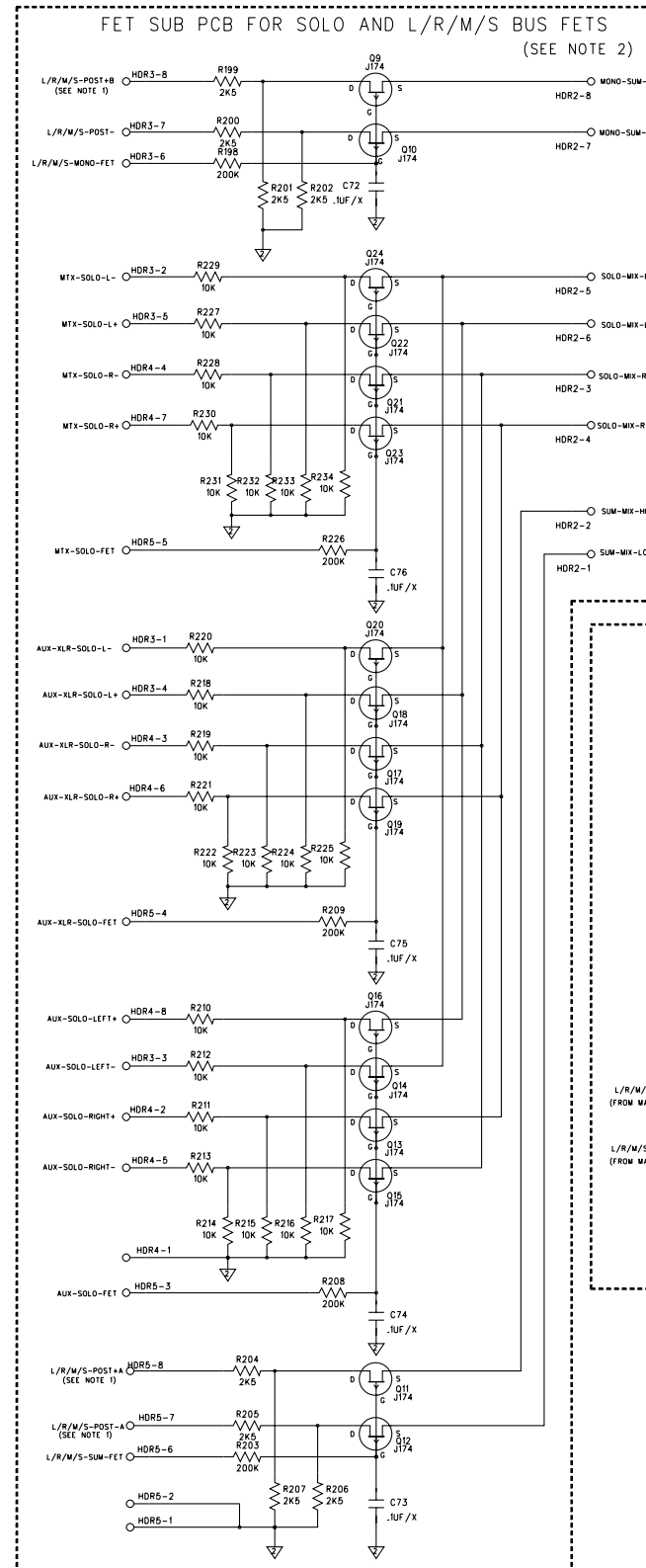


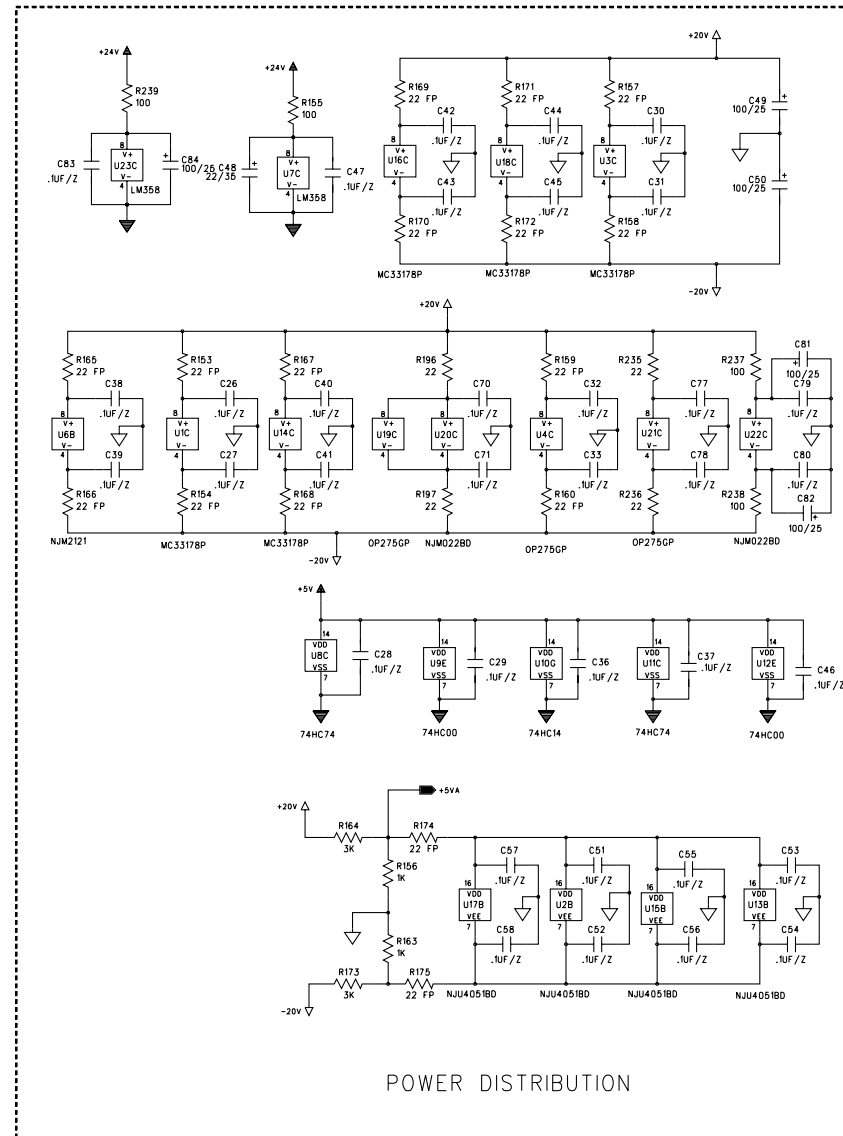
NOTES:

NOTE 1:
NETS L/R/M/S-POST+A AND L/R/M/S-POST+B
L/R/M/S-POST-A ARE THE SAME AS
L/R/M/S-POST+ AND L/R/M/S-POST-
RESPECTIVELY.

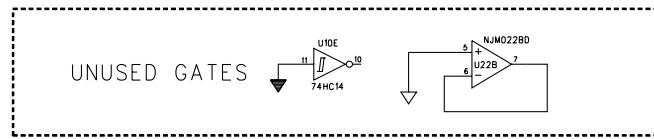
THE CHANGE IS FOR LAYOUT
PURPOSES ONLY.

NOTE 2:
ALL HEADERS (HDR 2-5) OF THE
FET SUB PCB ARE CONNECTED
ON THE MAIN PCB. THIS SUB BOARD
IS PHYSICALLY SEPARATED FROM THE
"MAIN" SUB PCB.

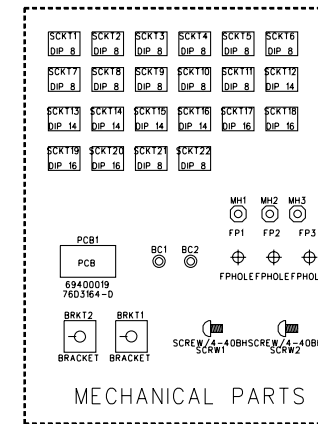




POWER DISTRIBUTION

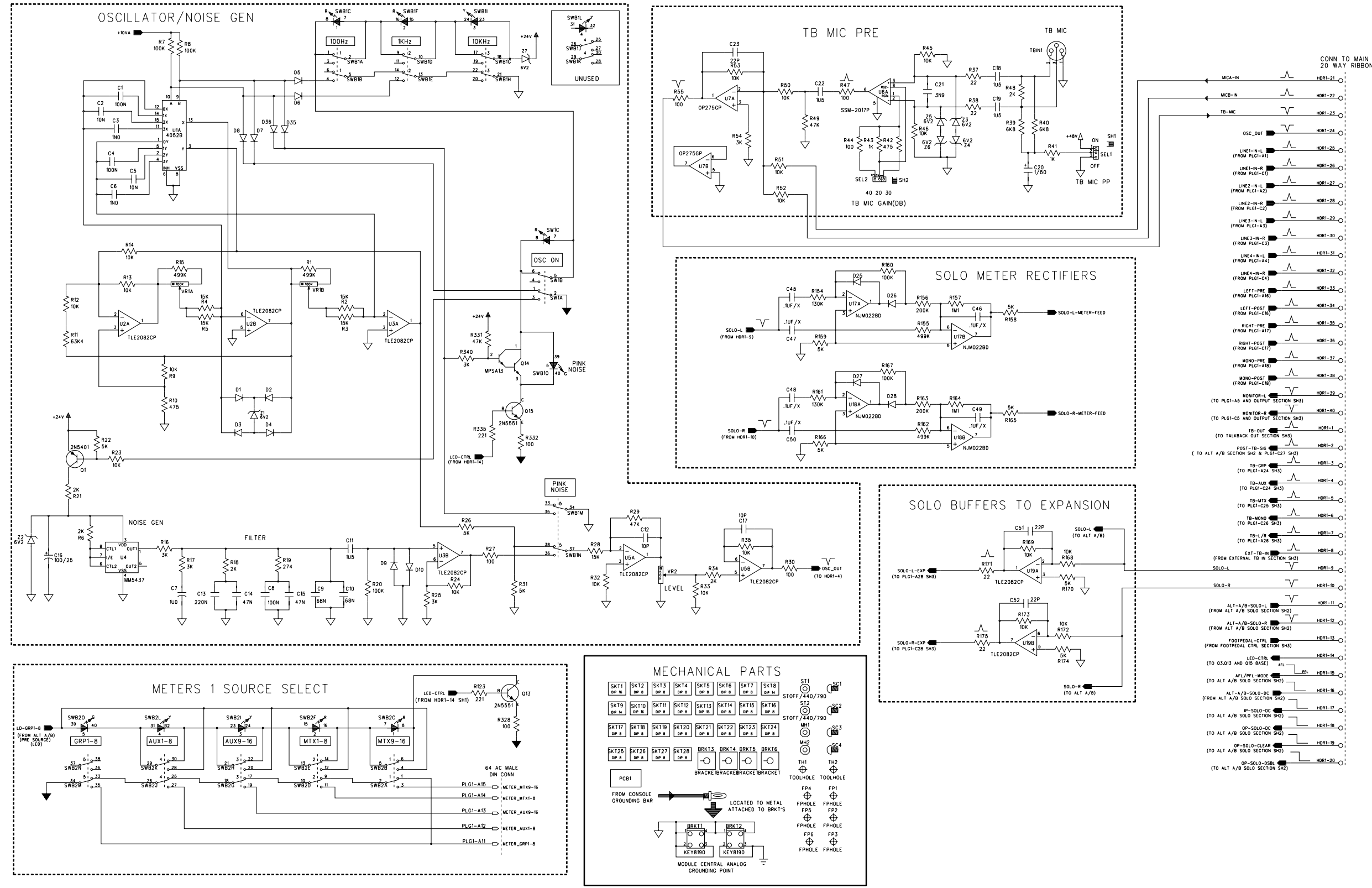


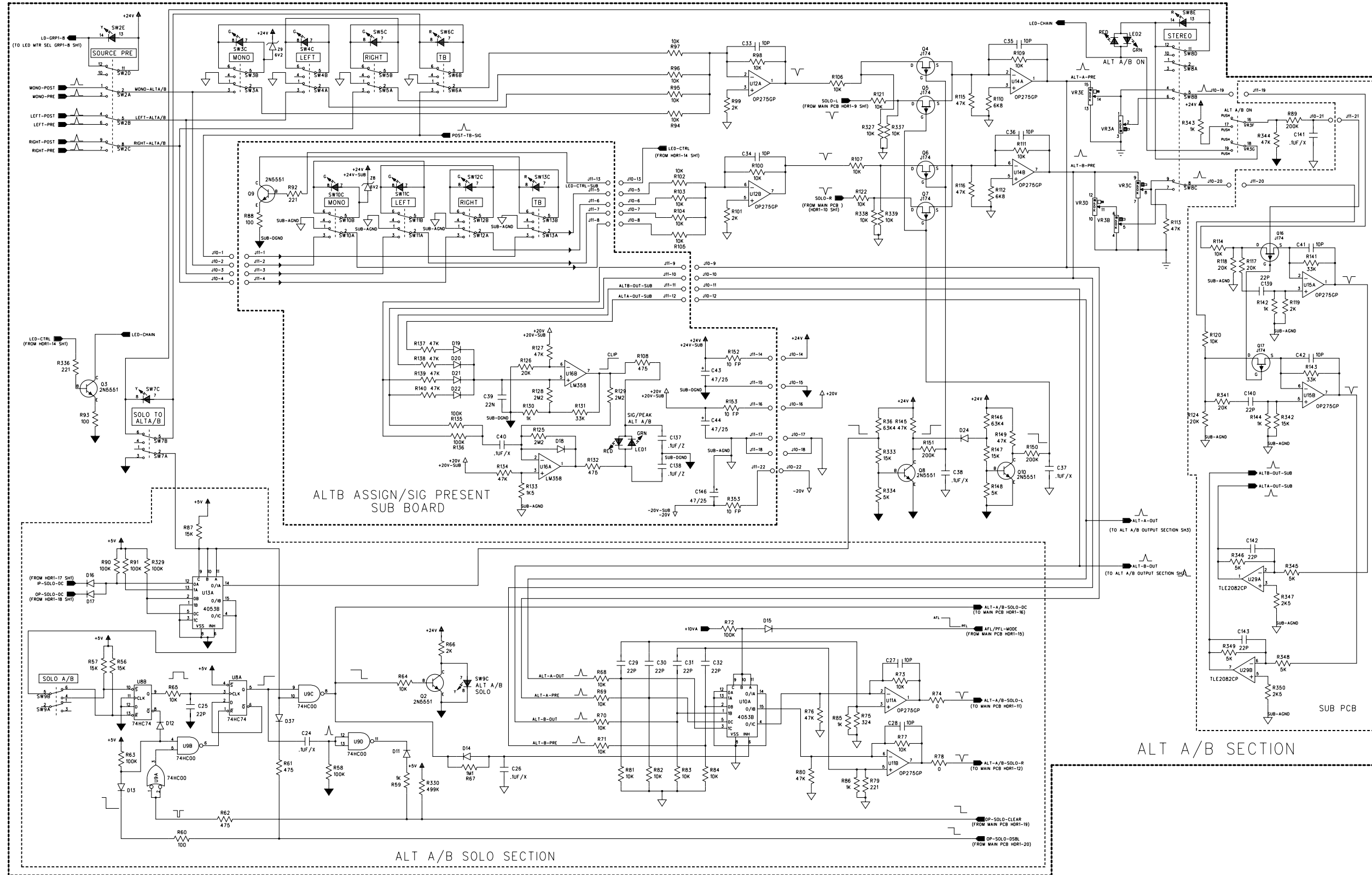
UNUSED GATES

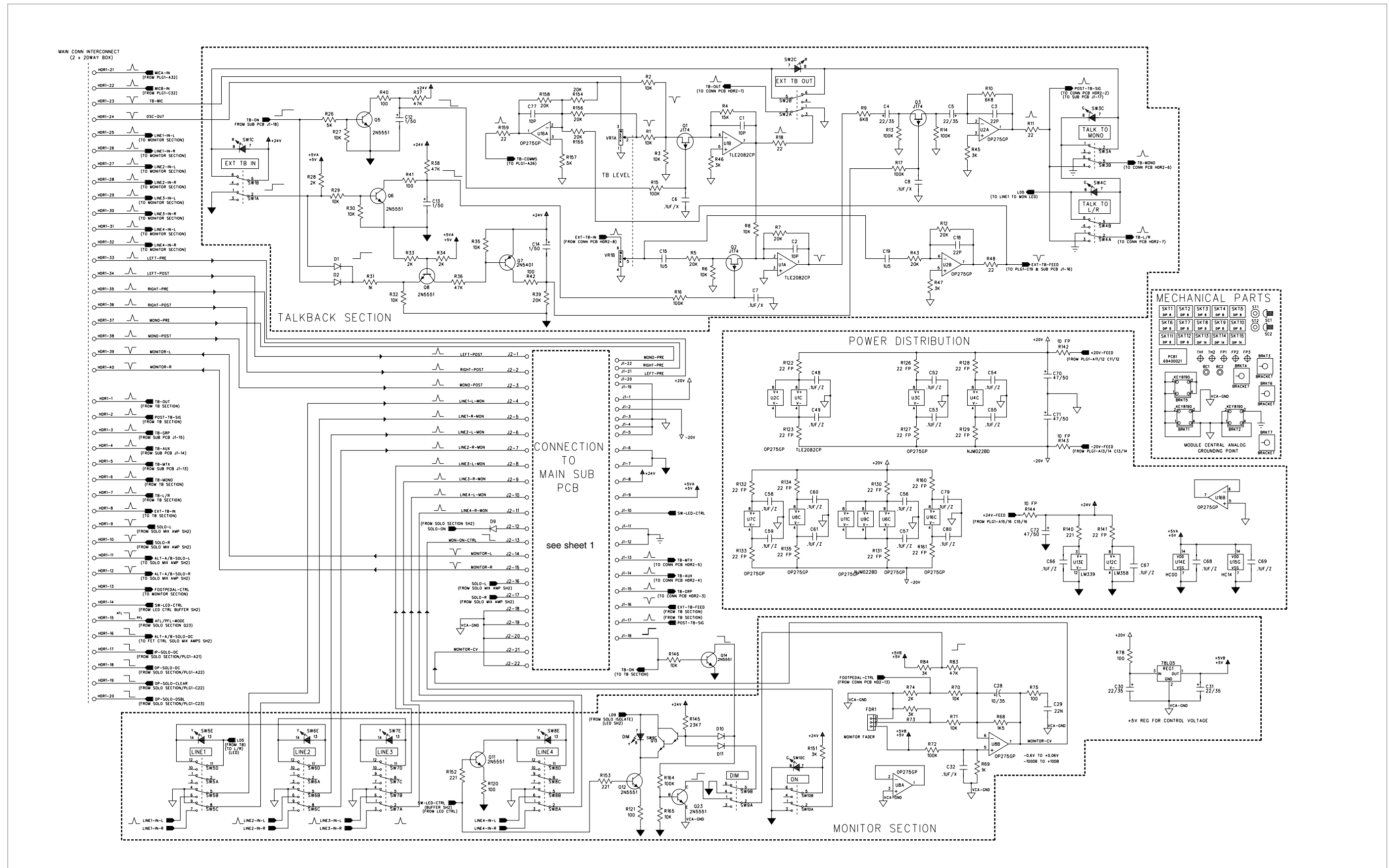


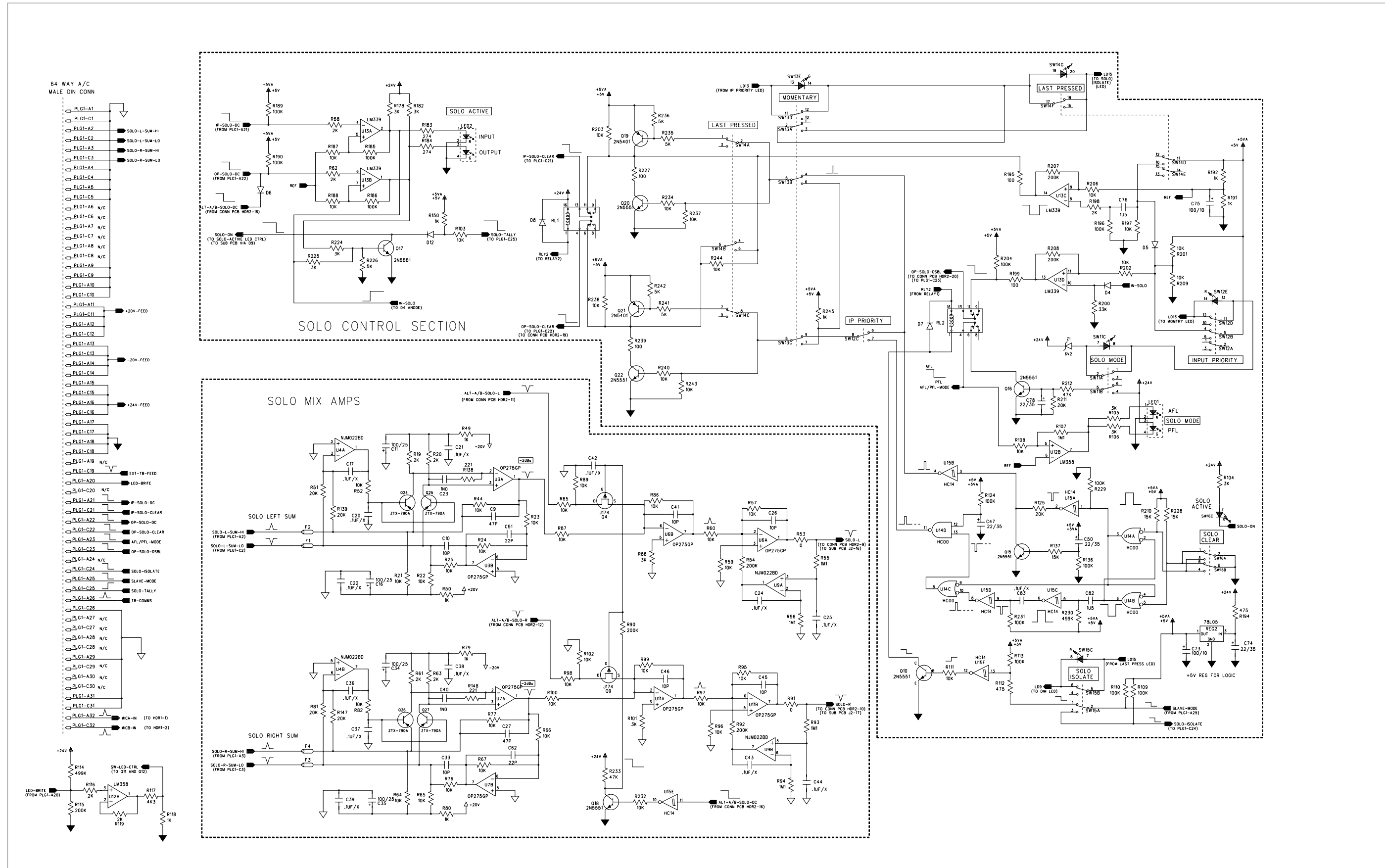
MECHANICAL PARTS

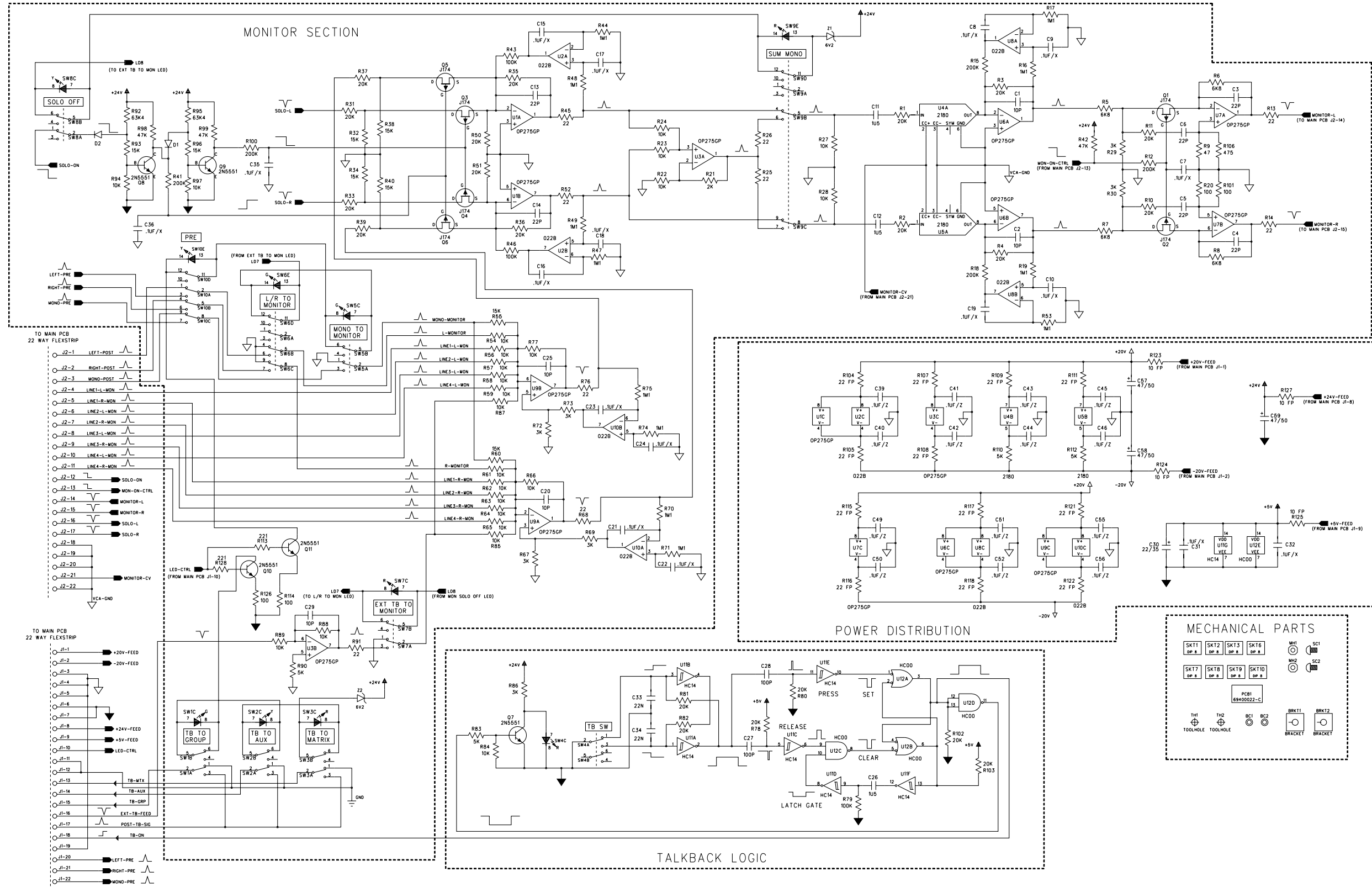


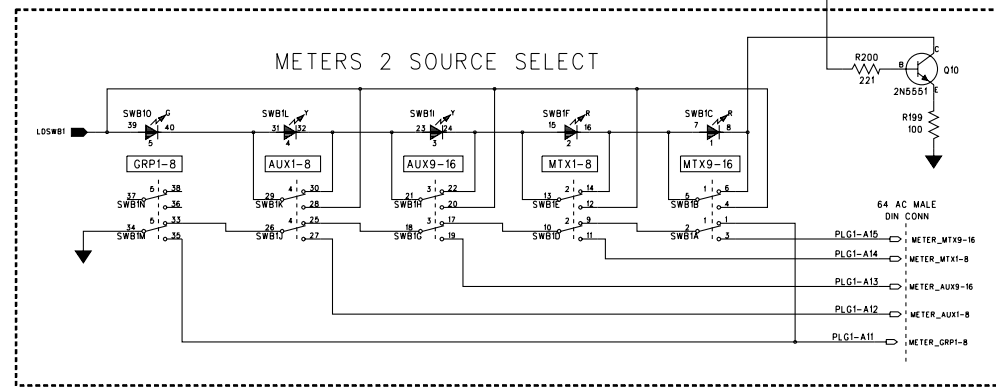
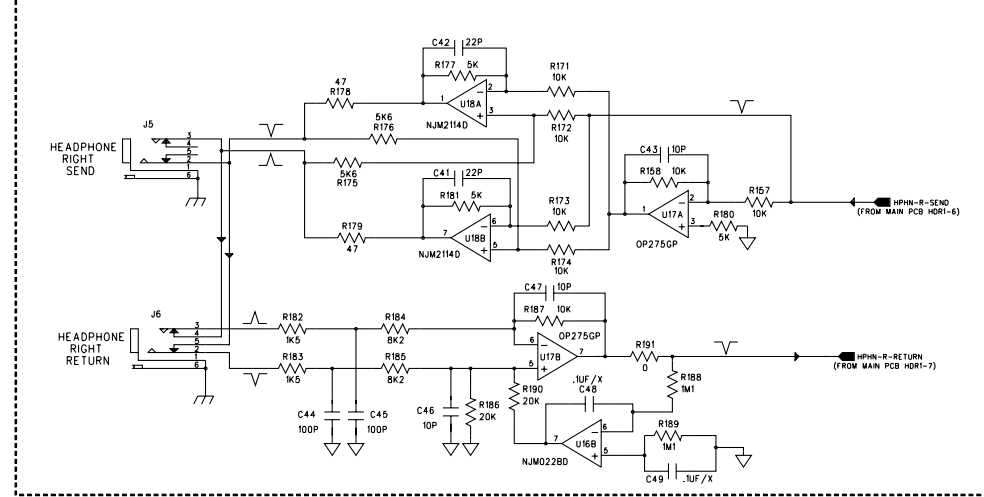
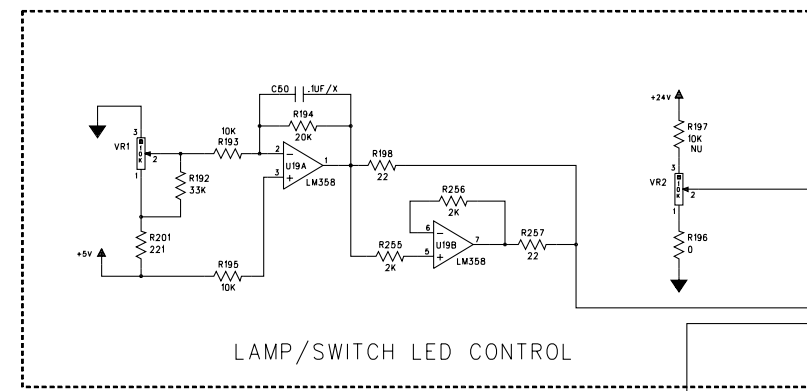
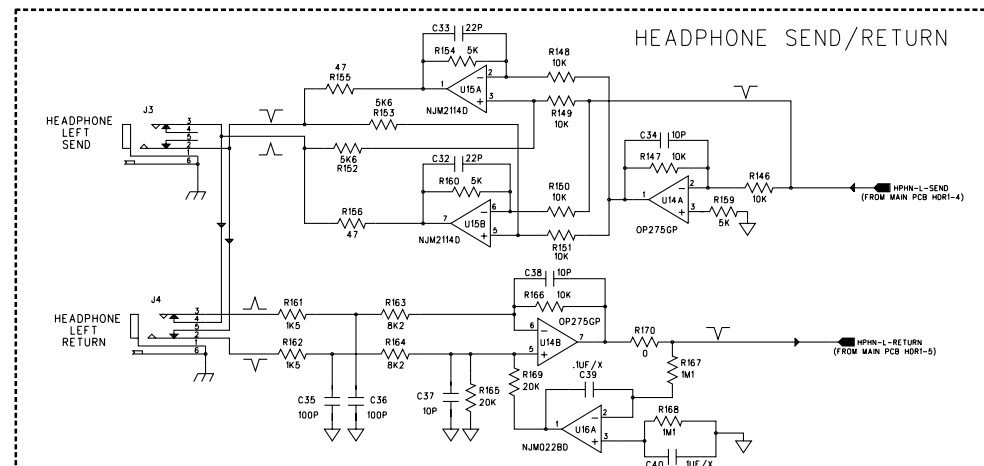
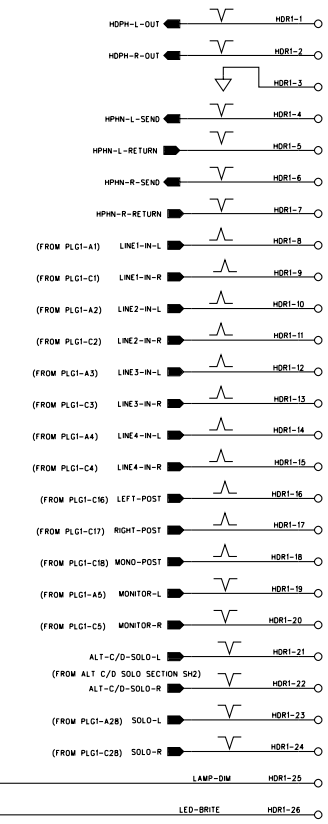
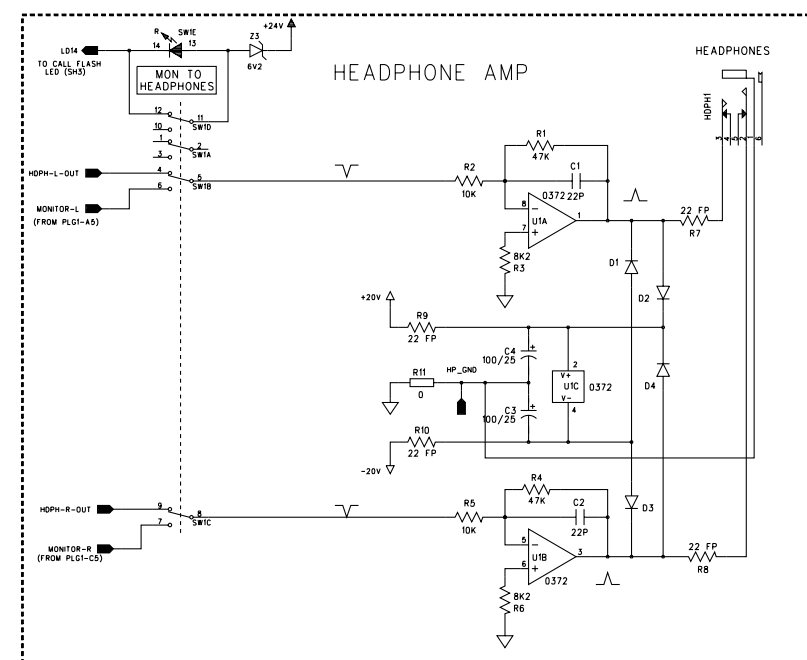
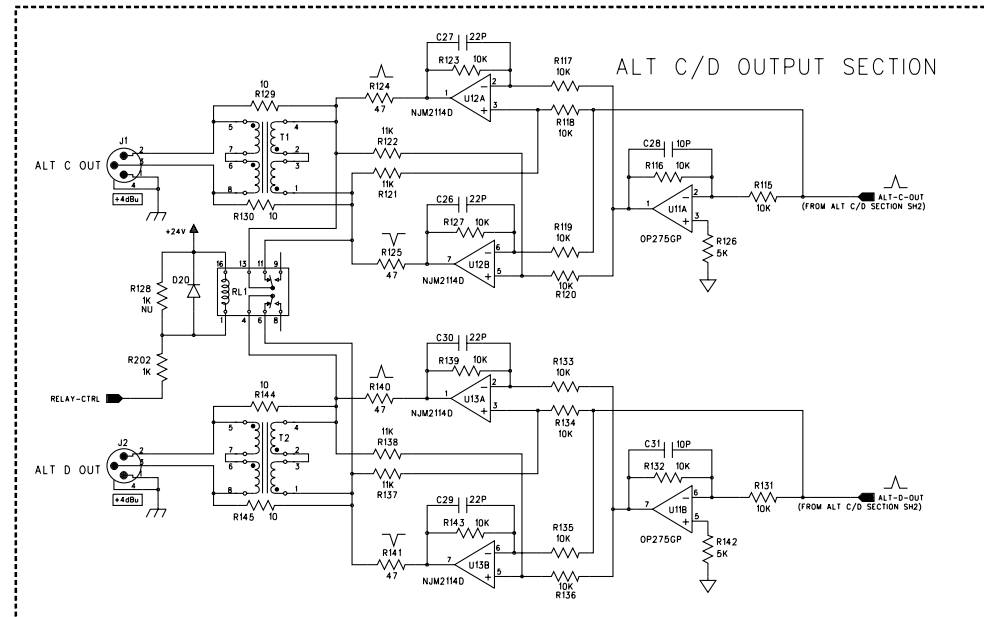


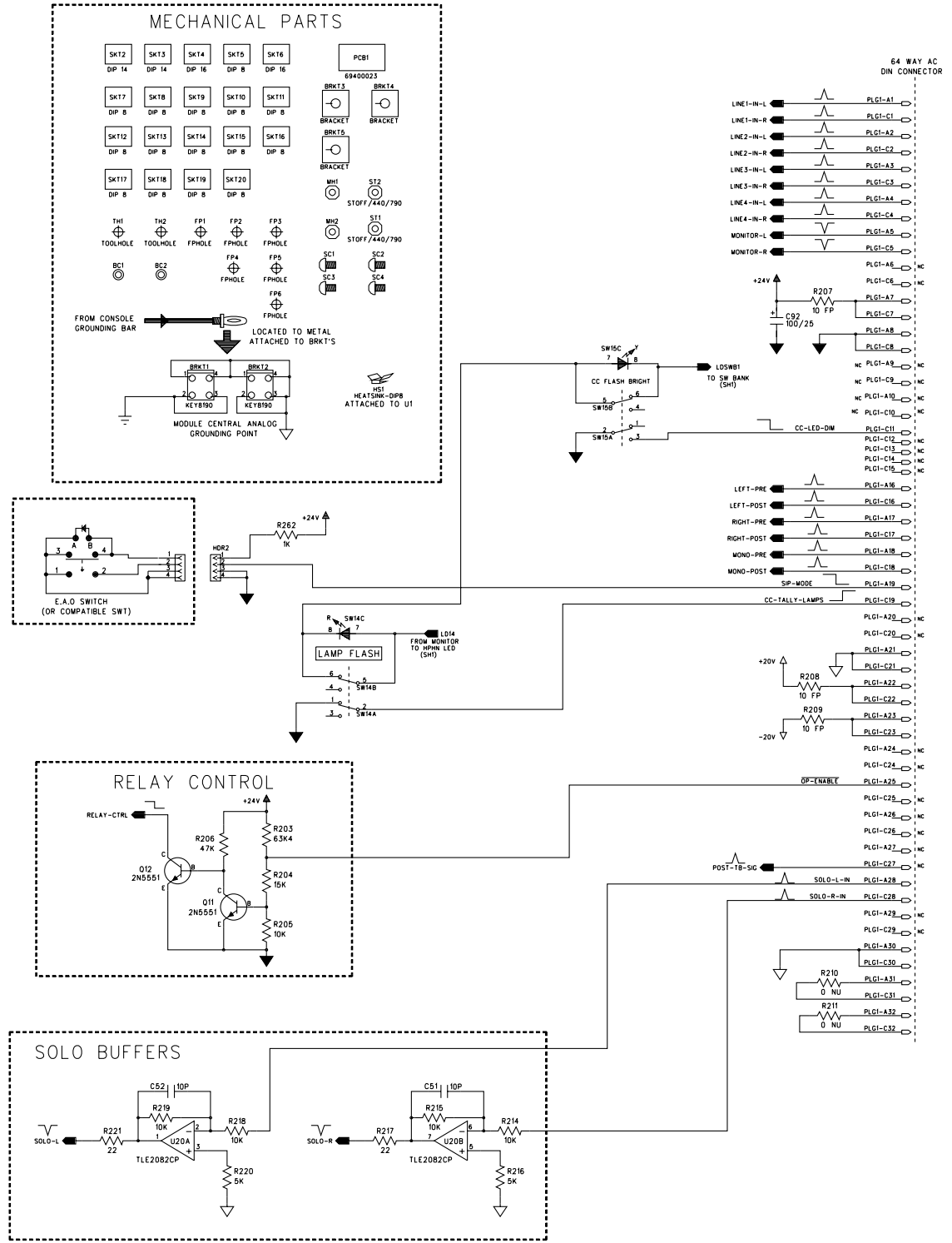
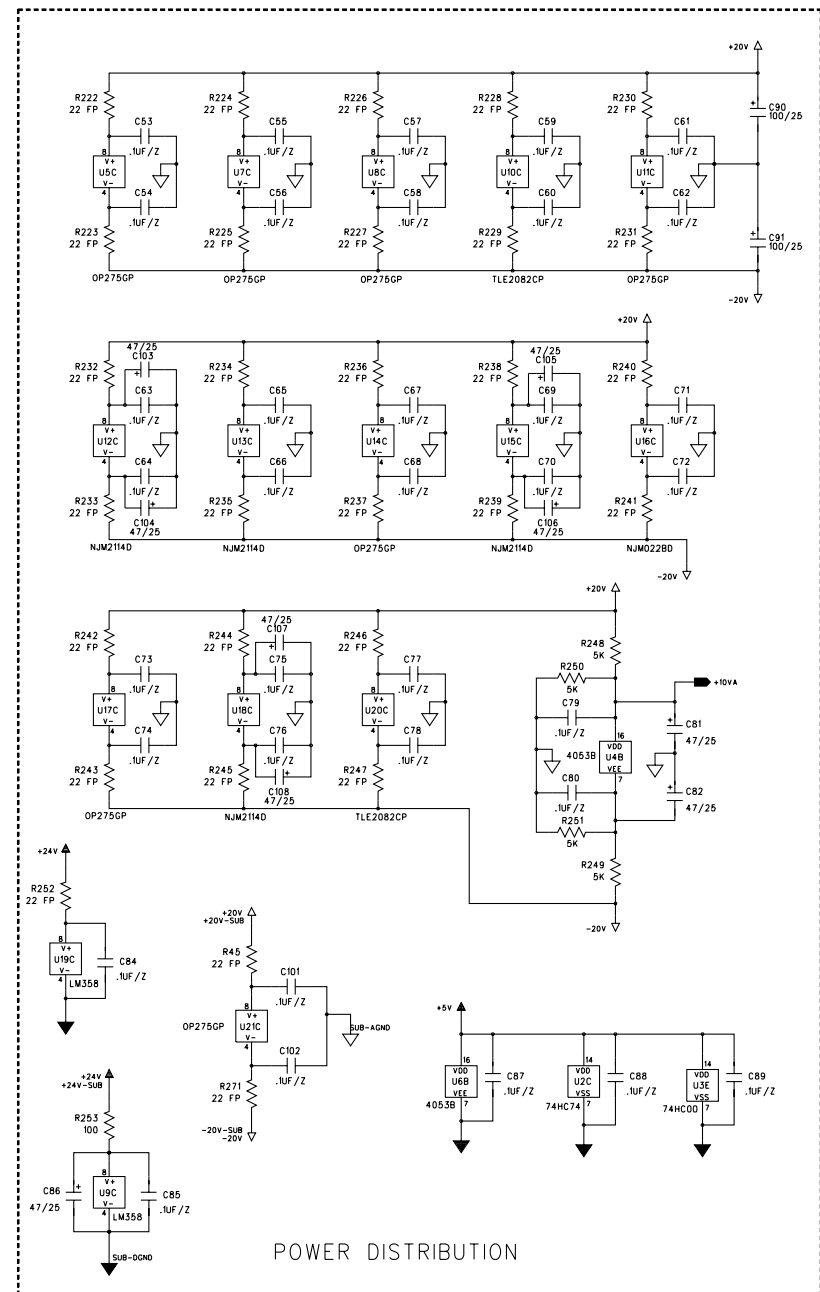


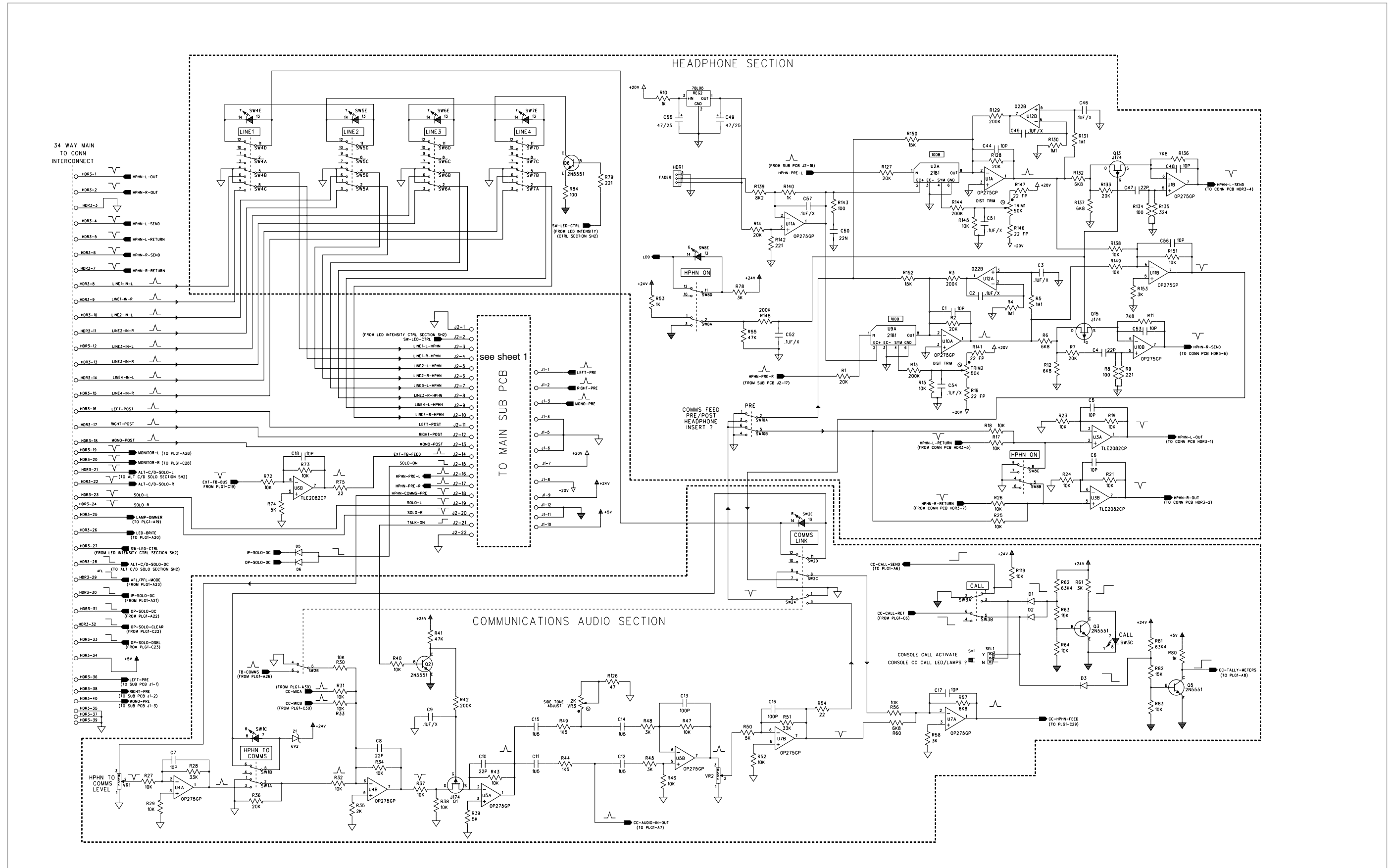


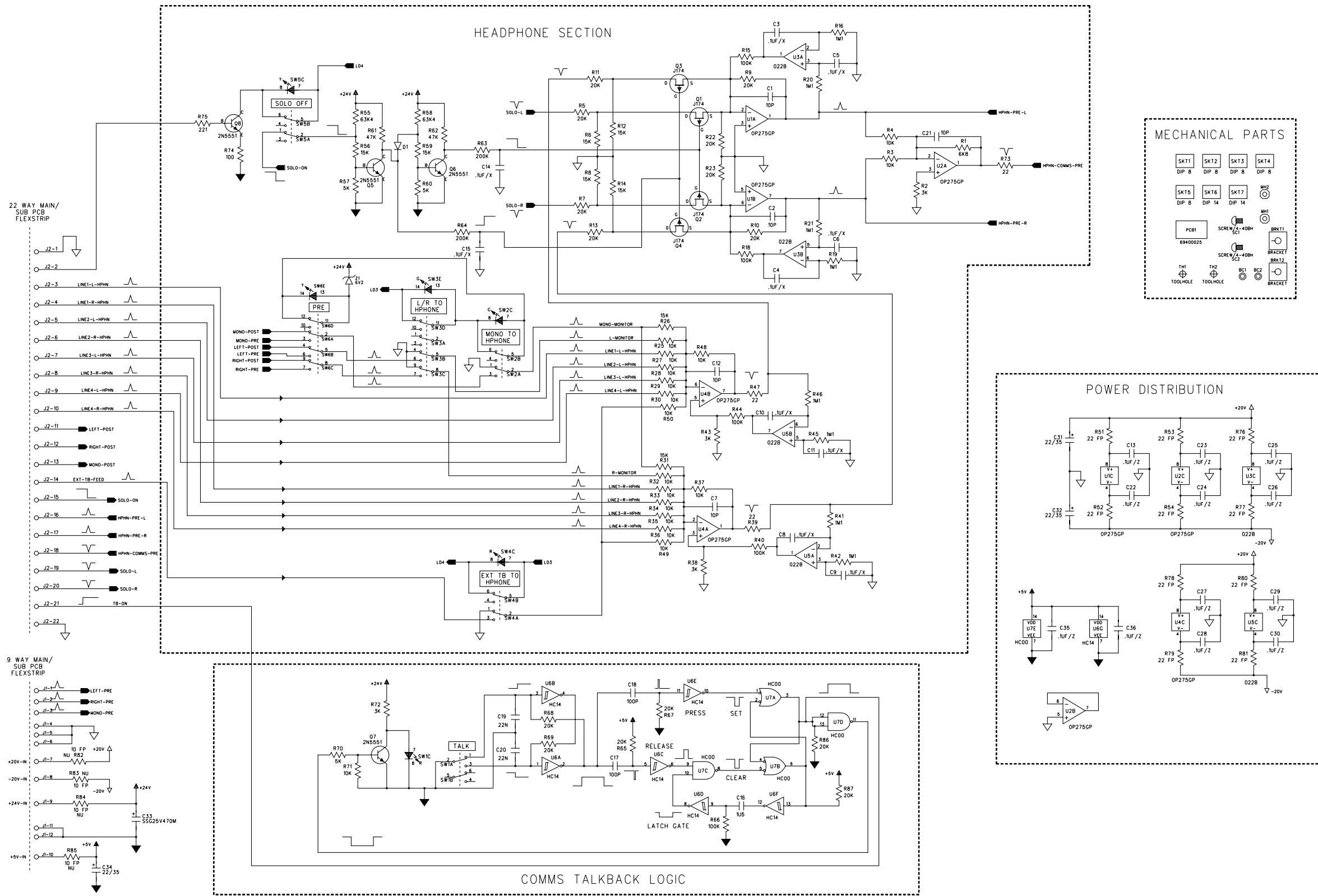


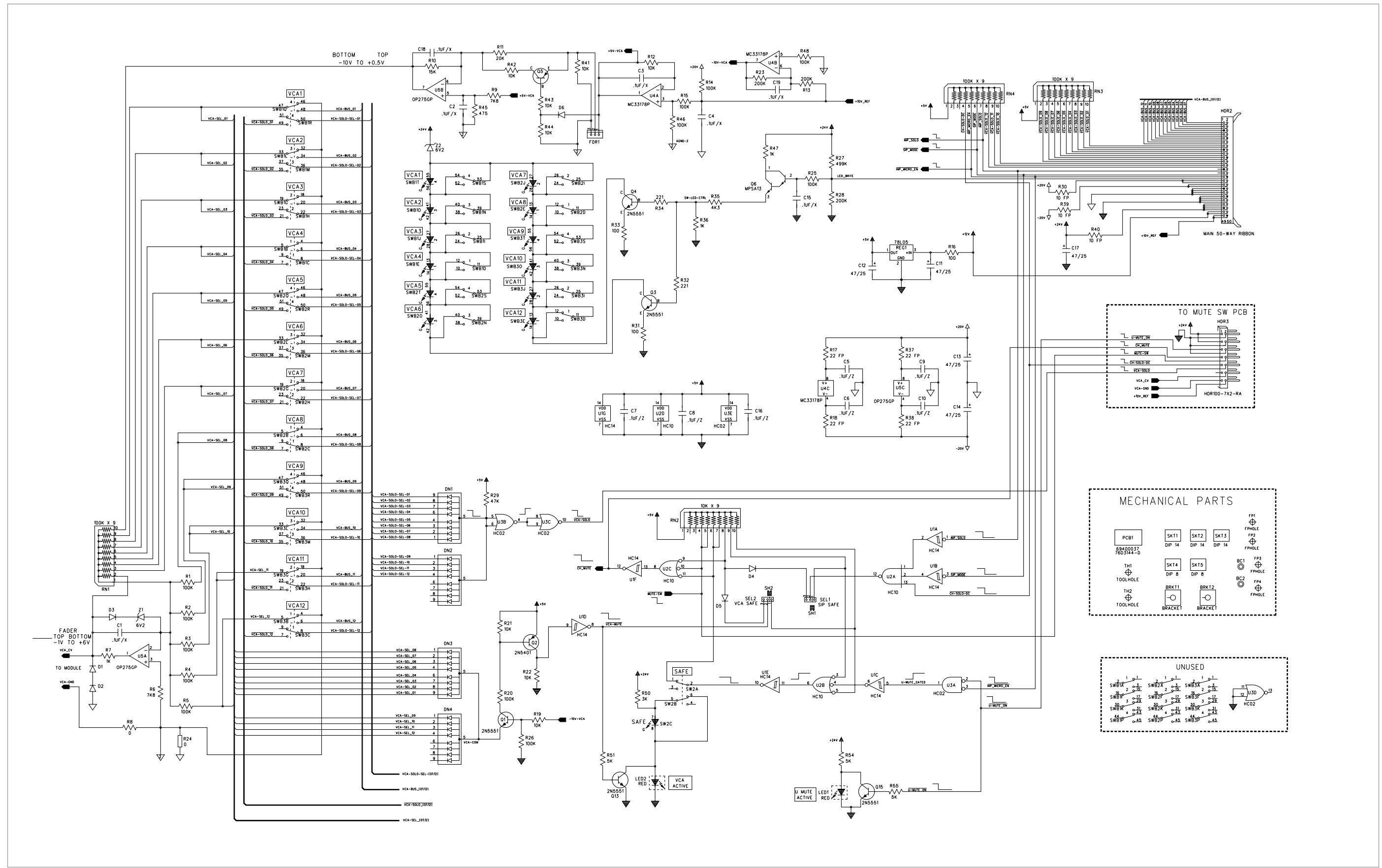


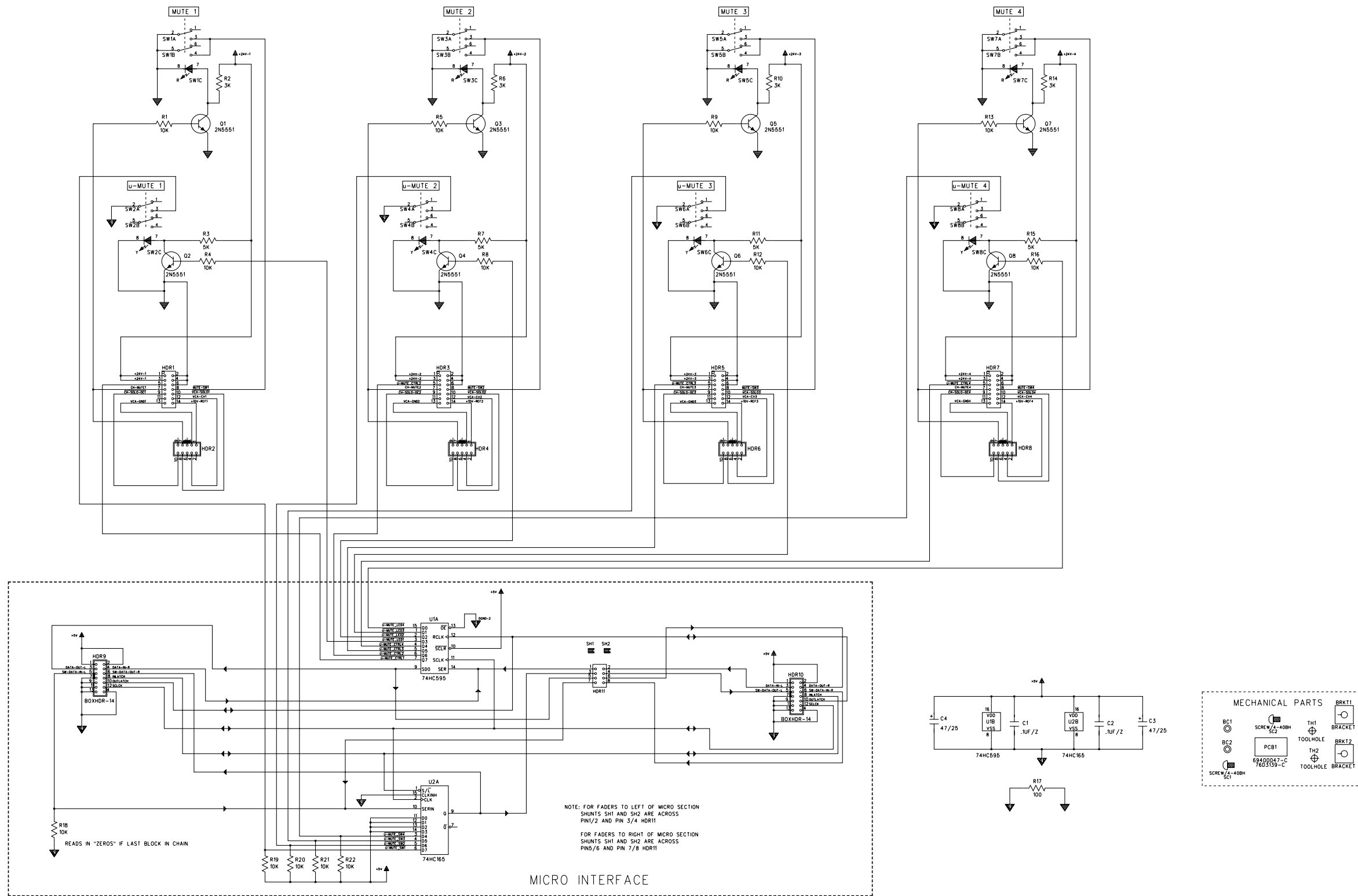


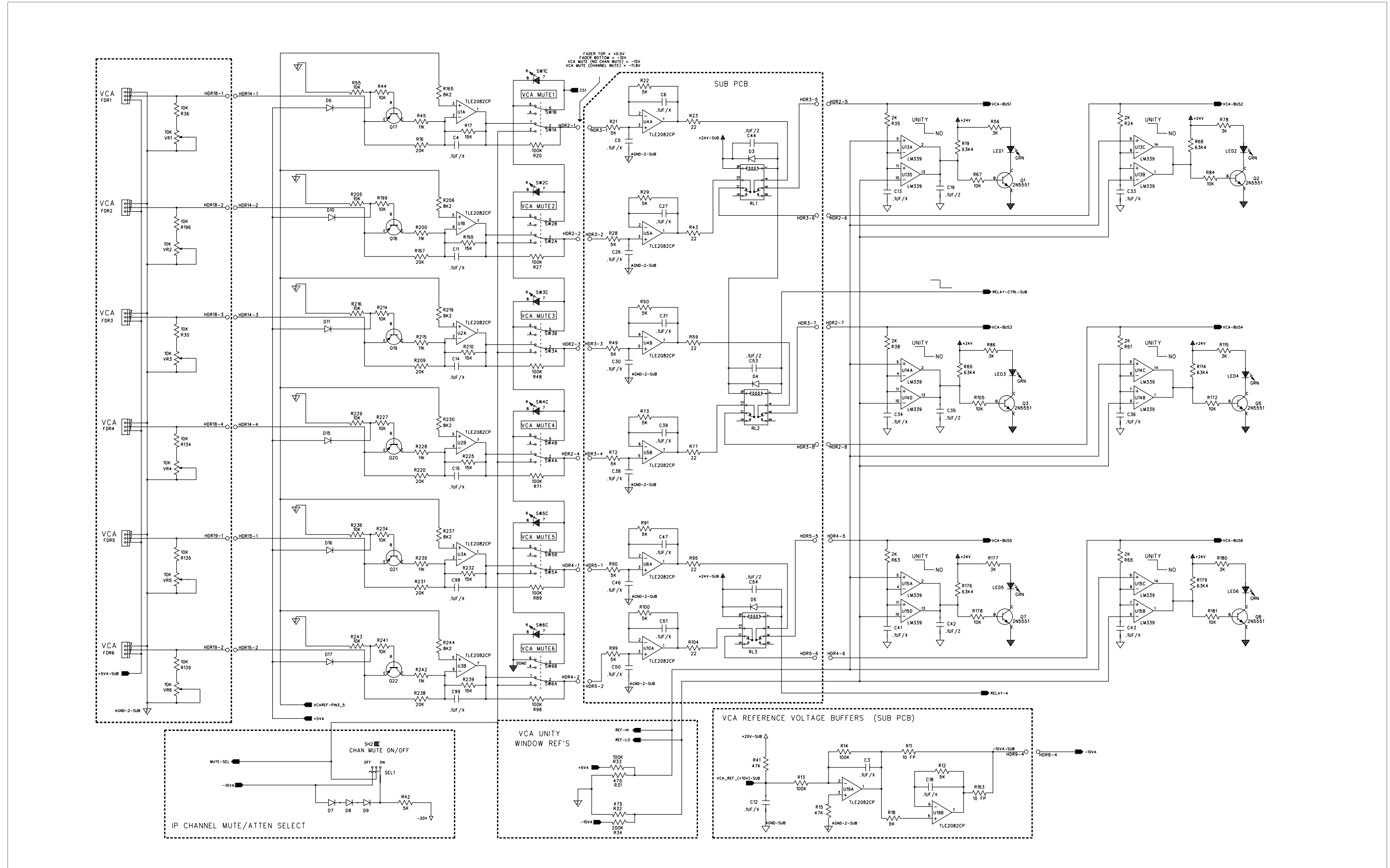


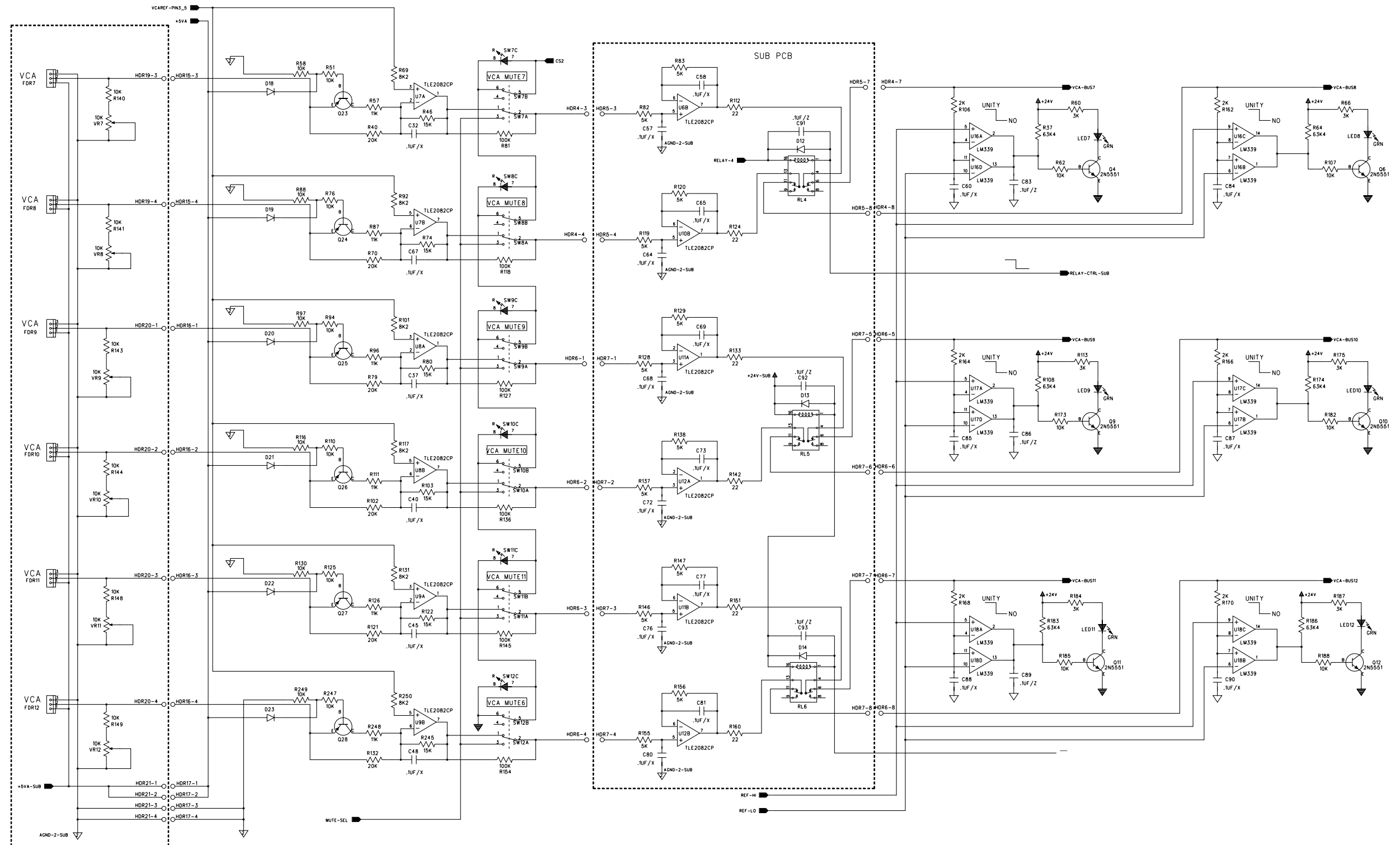


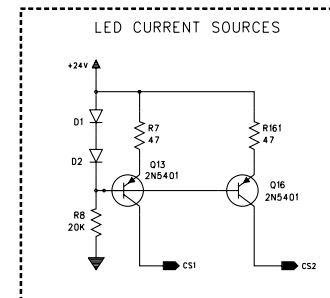
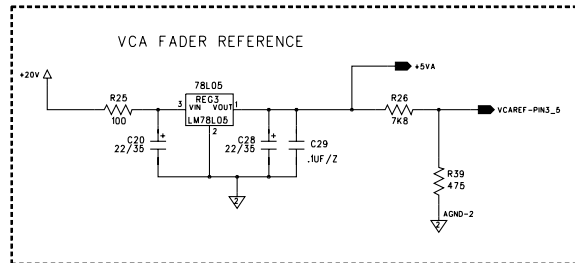
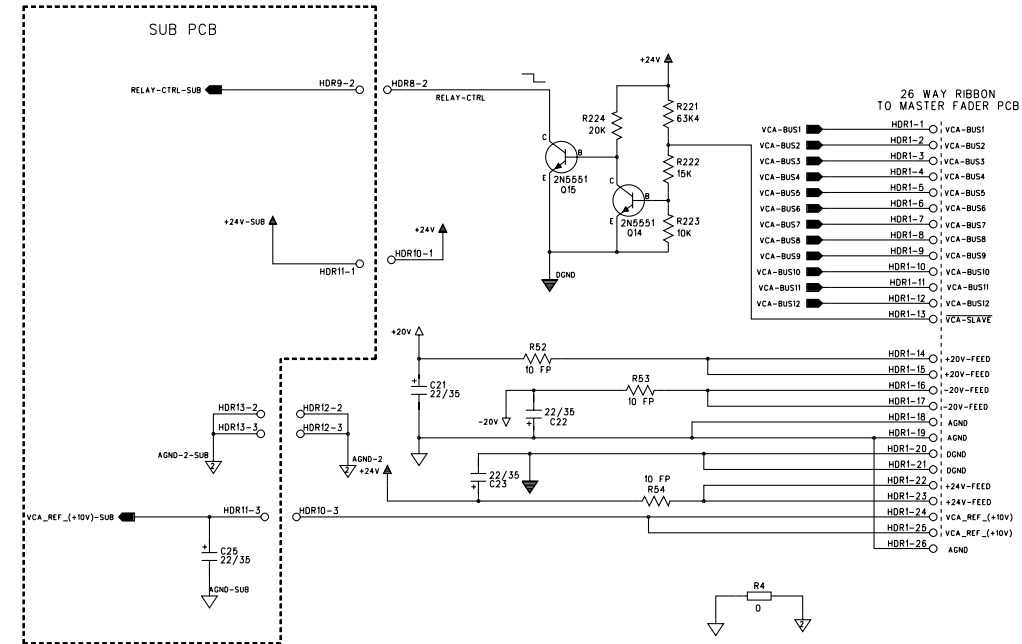
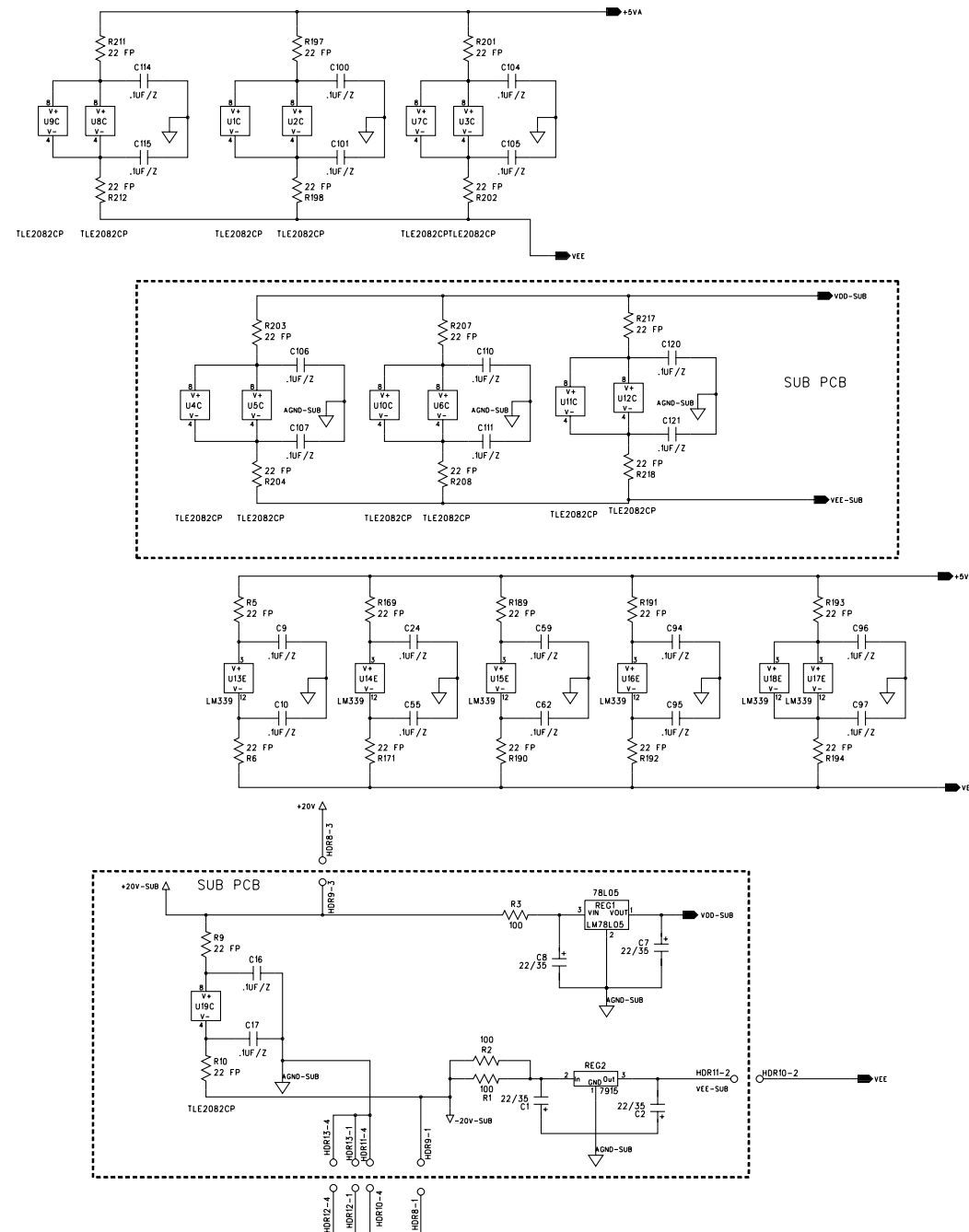


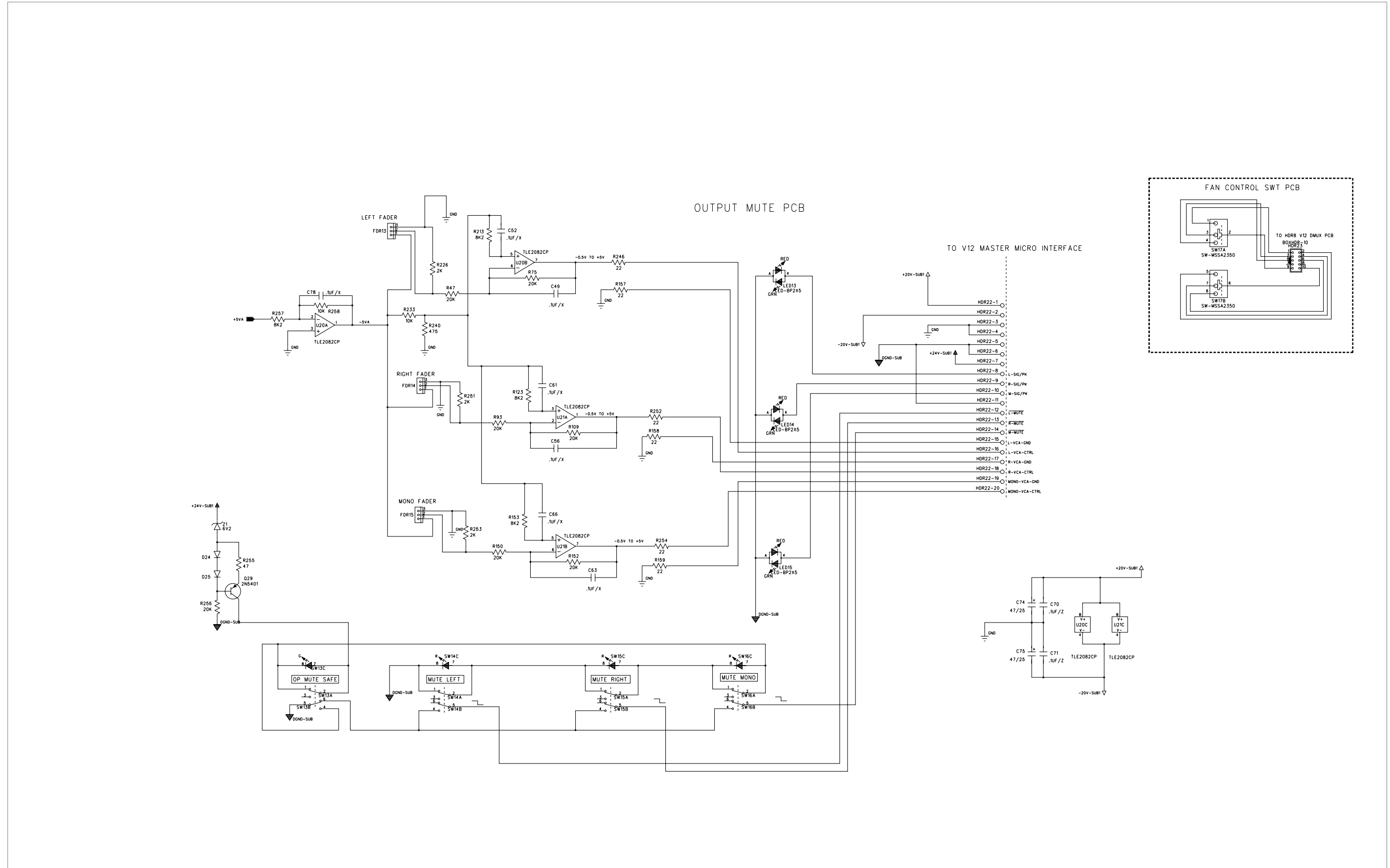


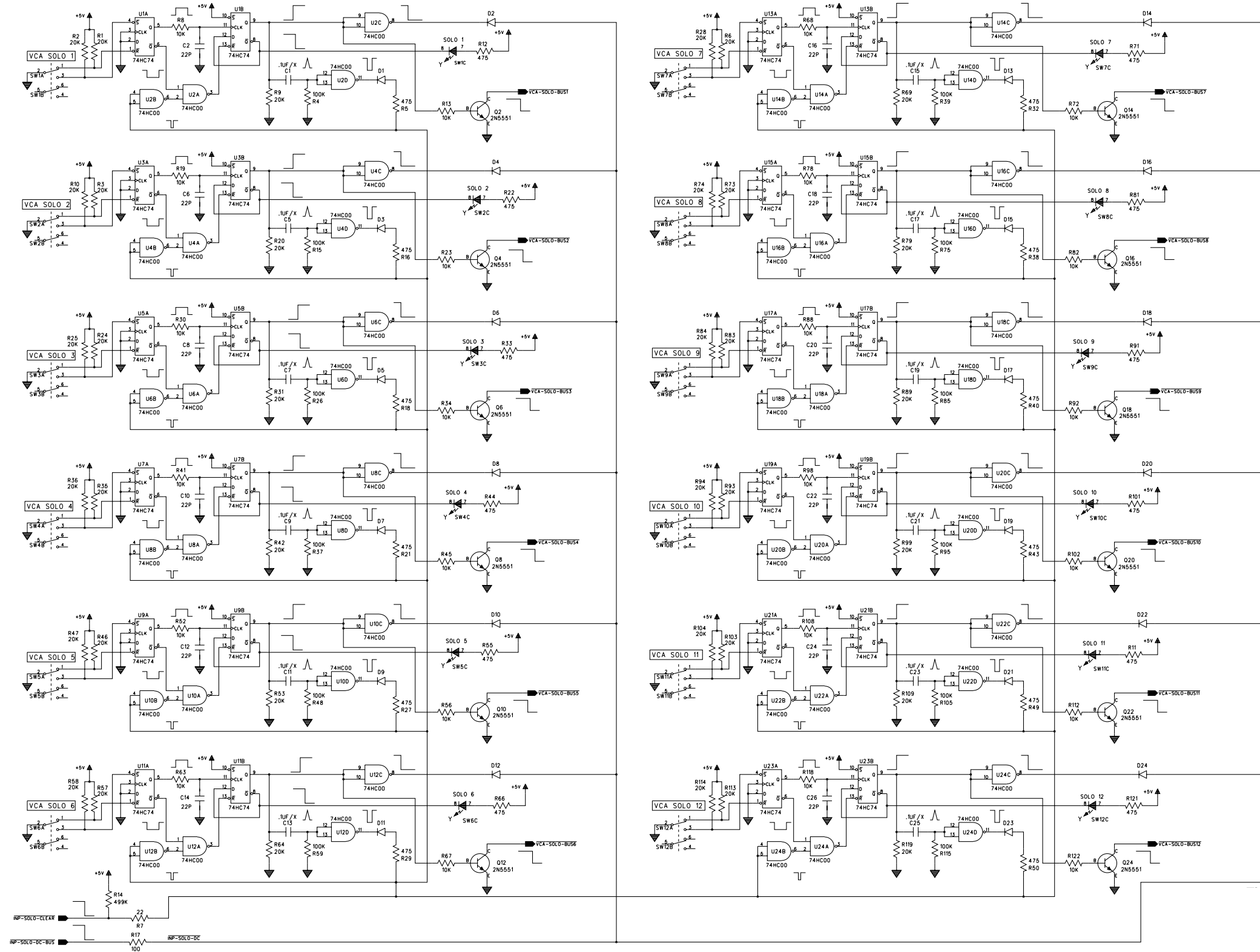


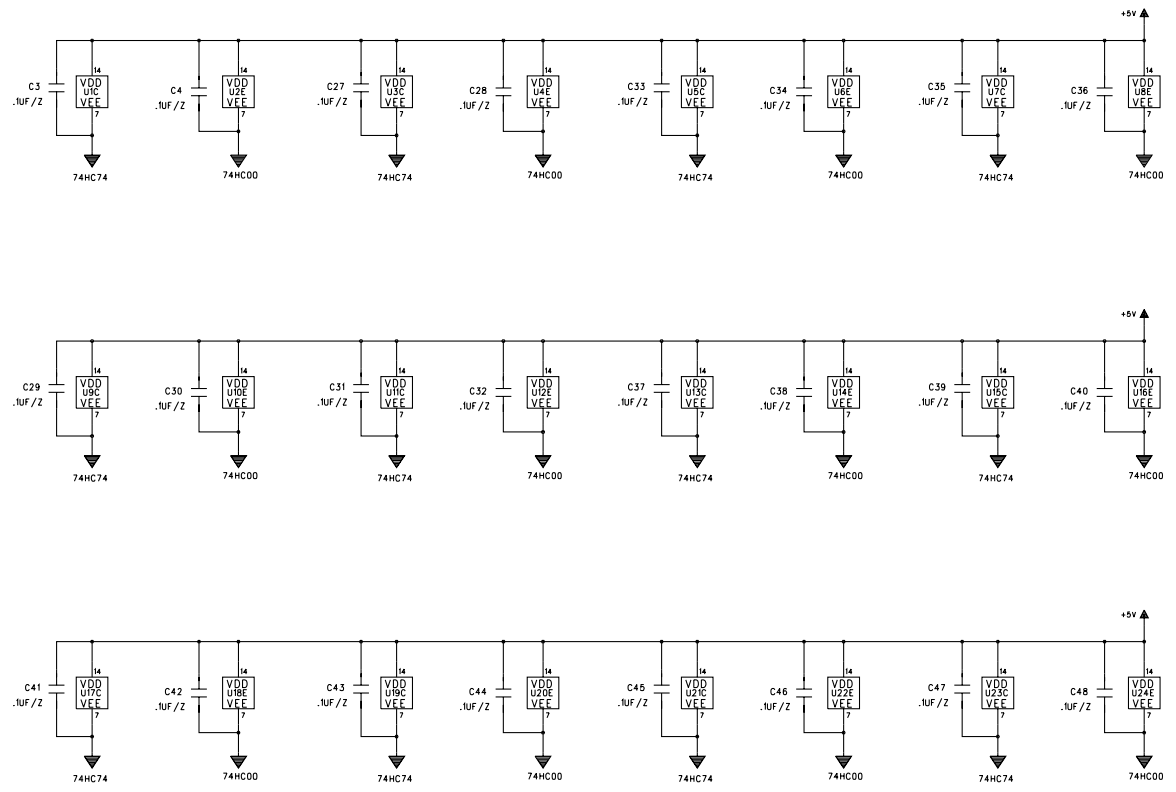




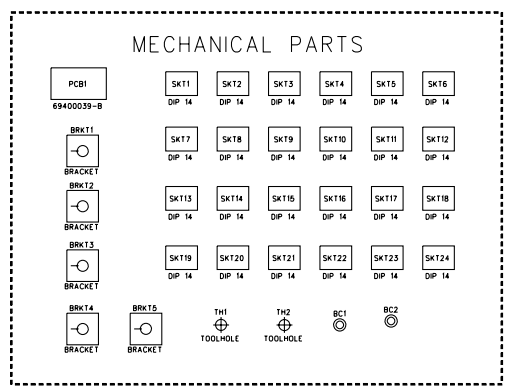
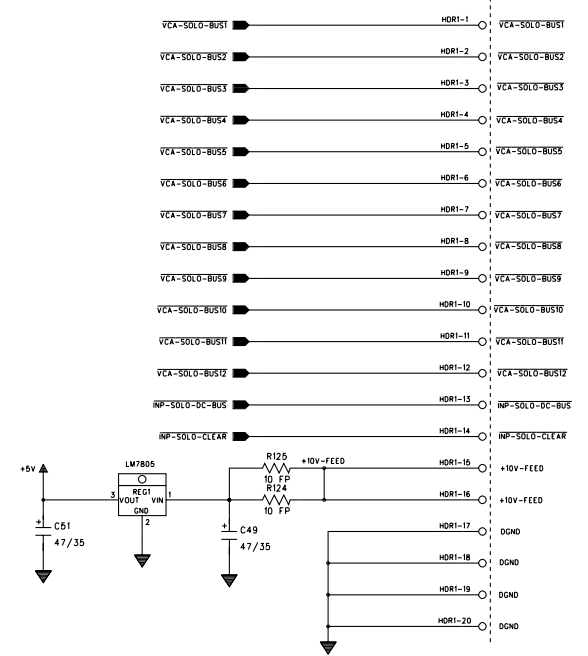


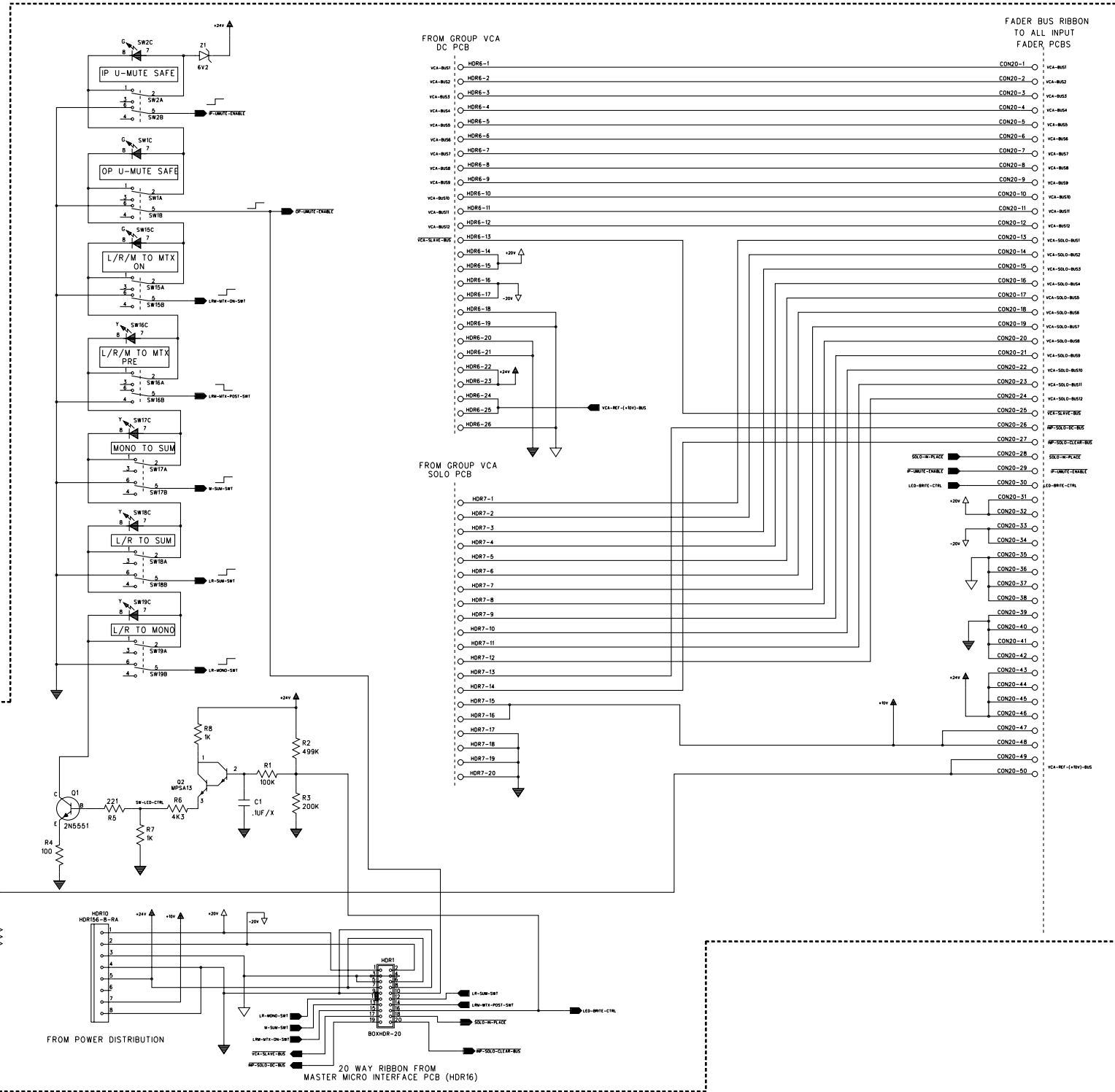
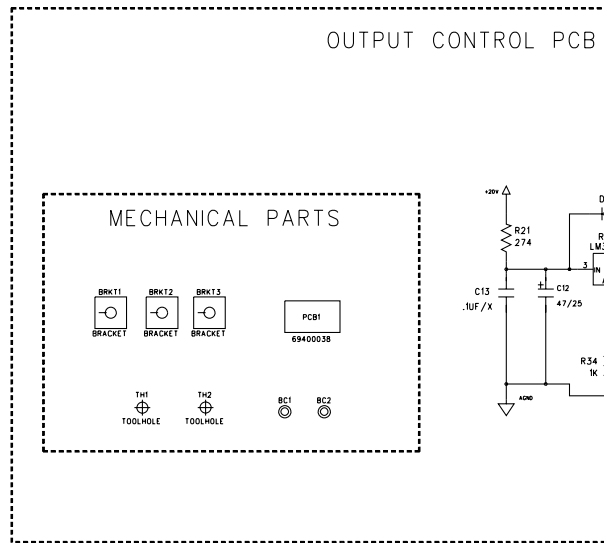
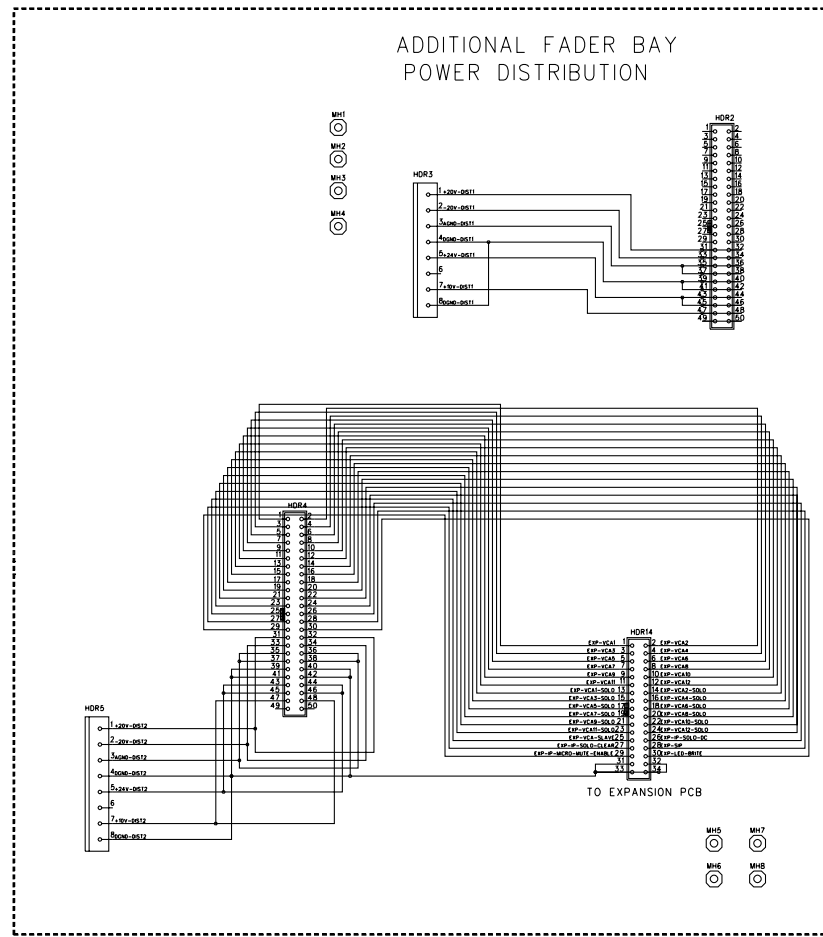


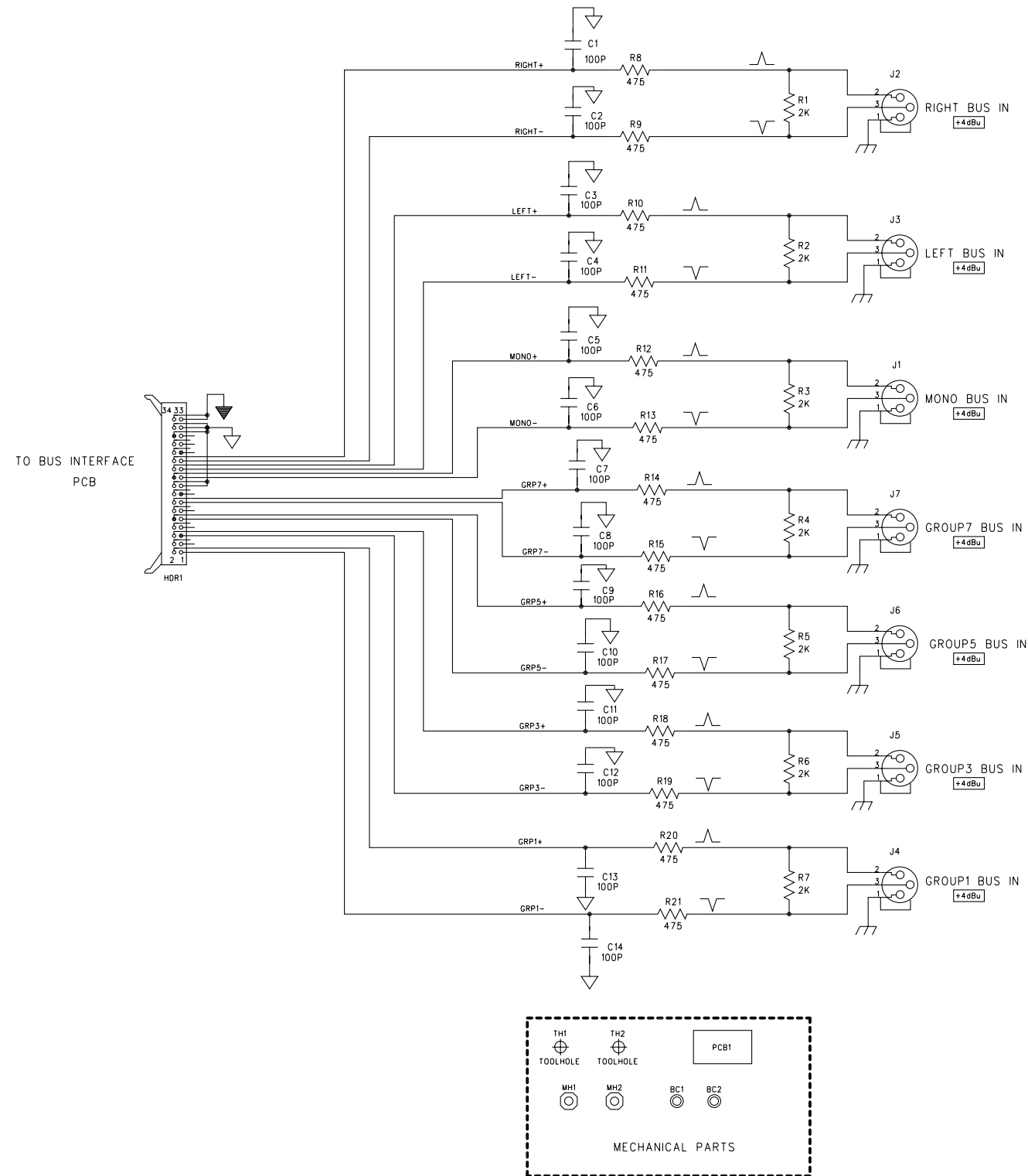


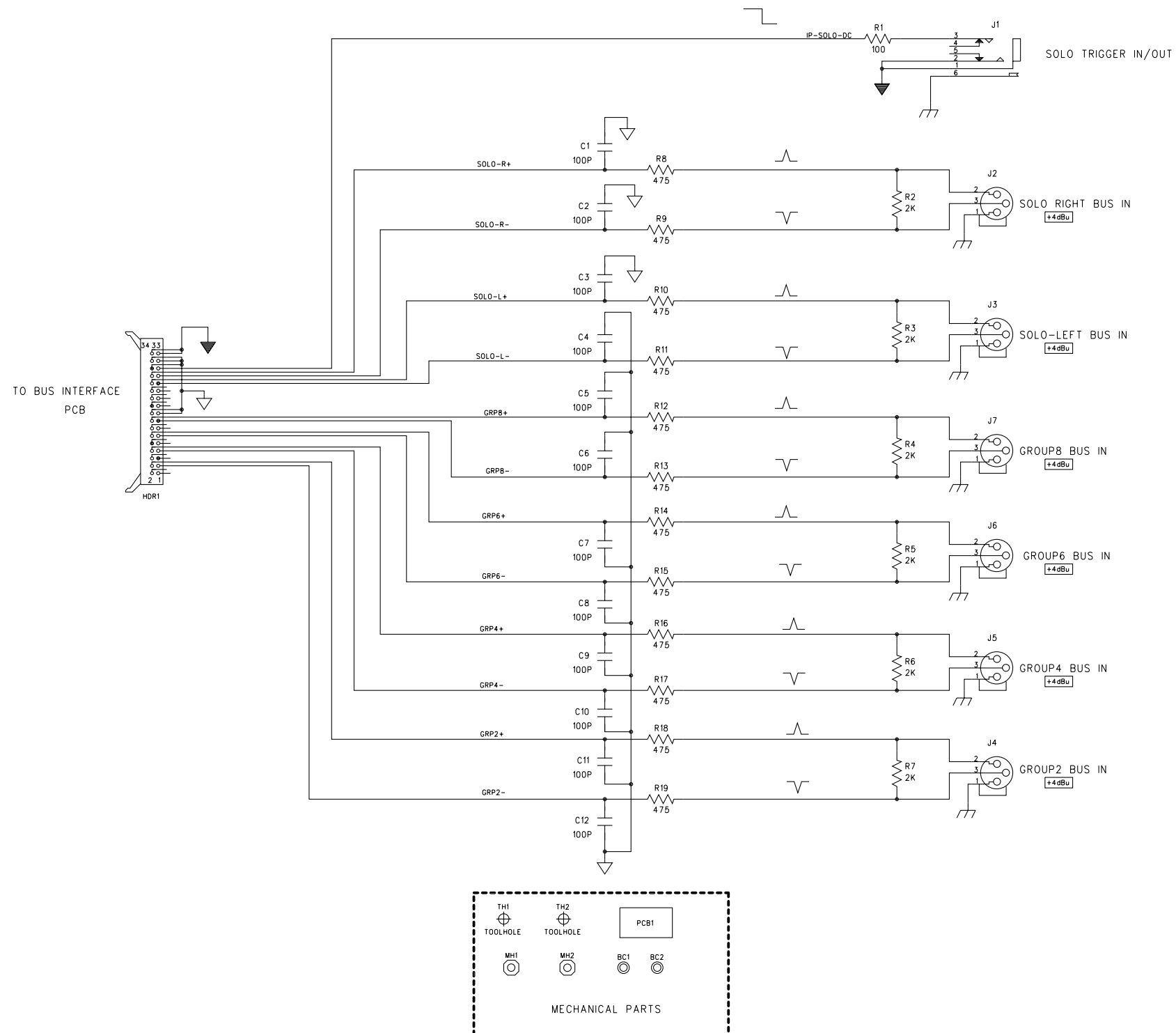


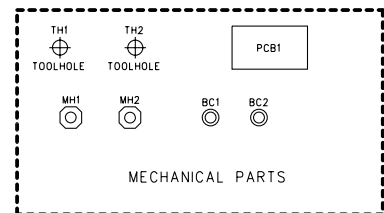
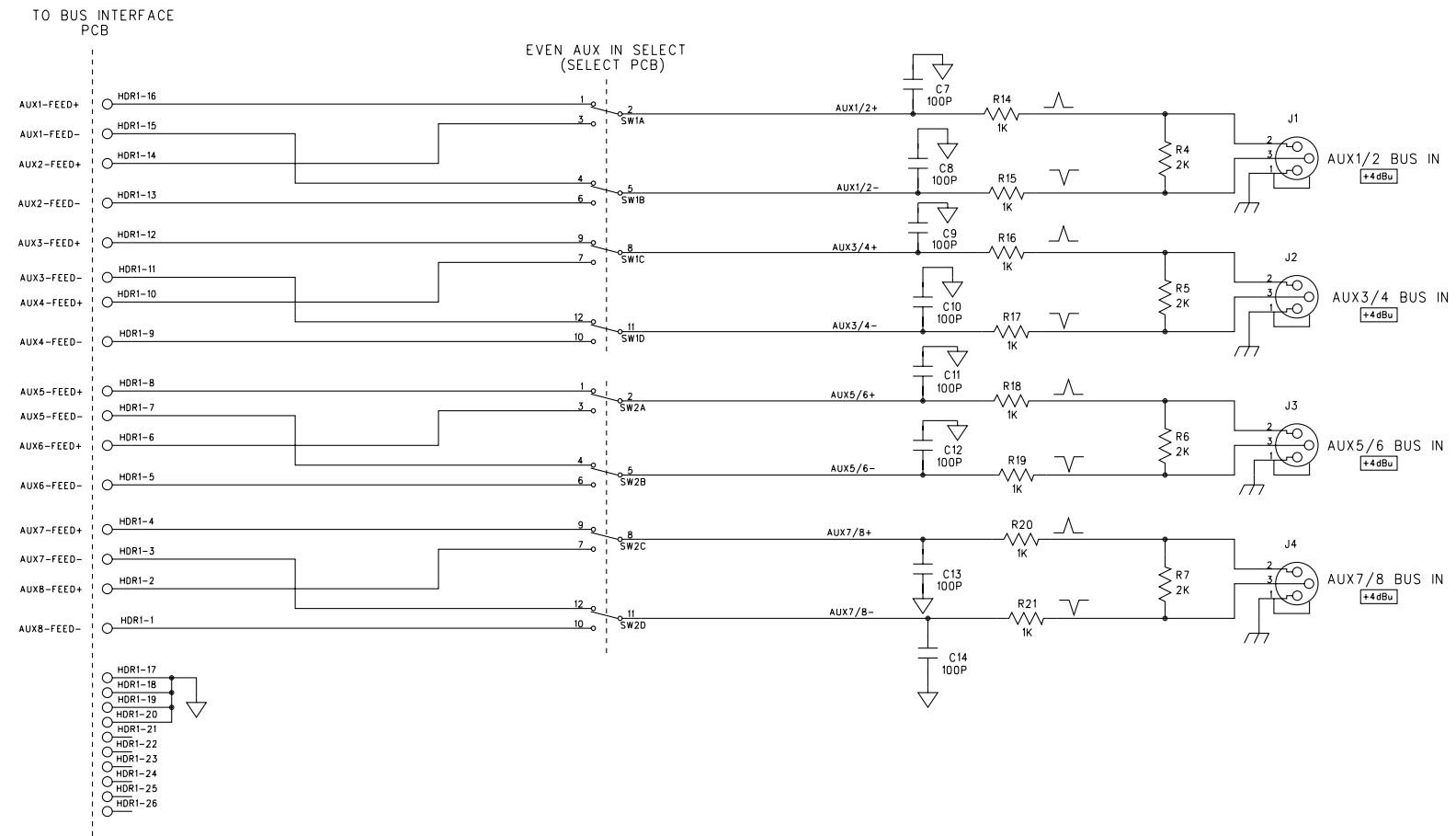
20 WAY RIBBON TO MASTER FADER PCB



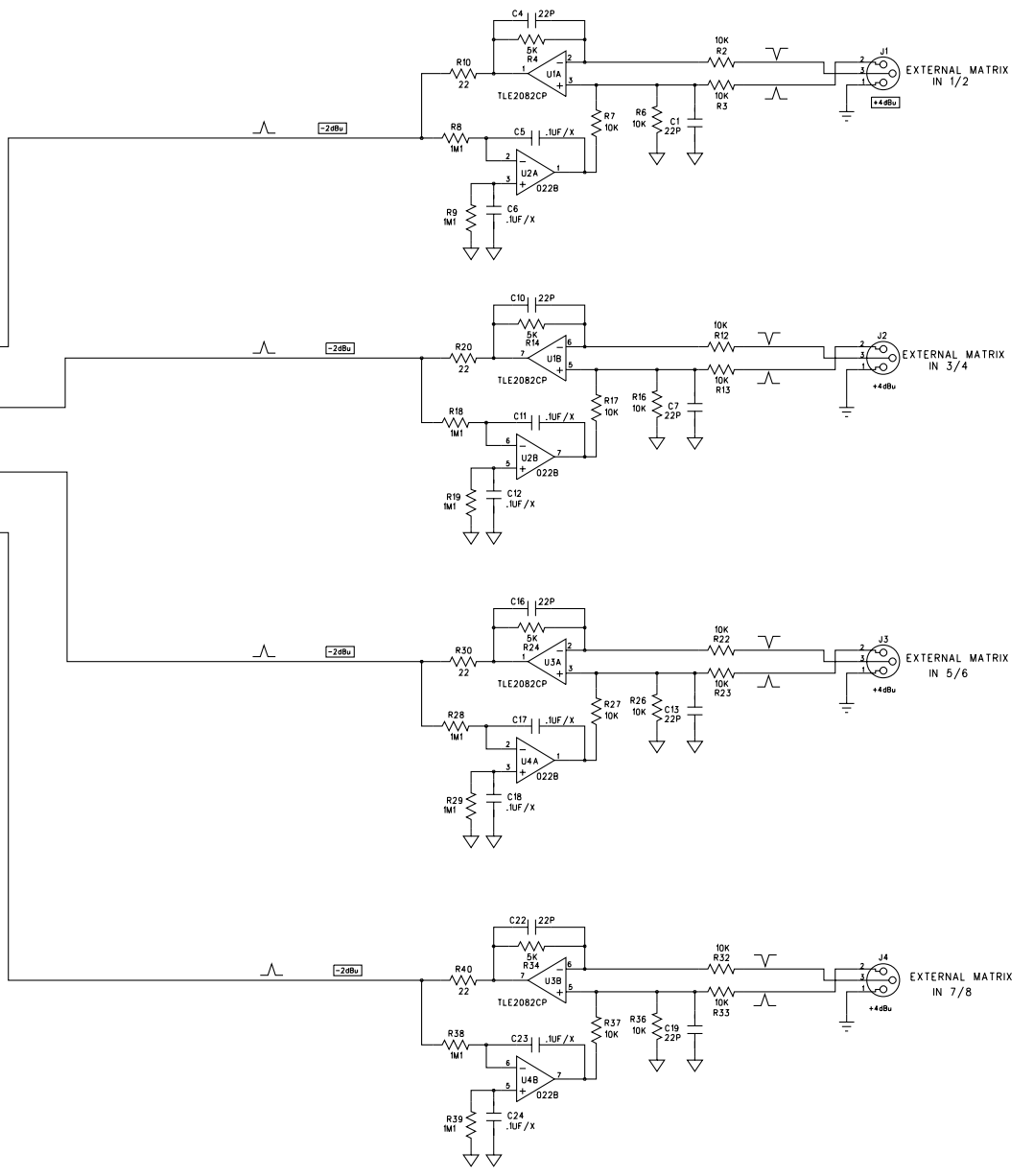
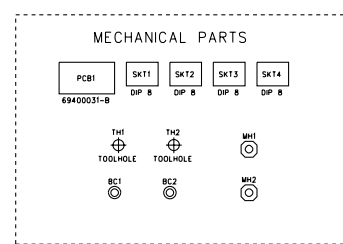
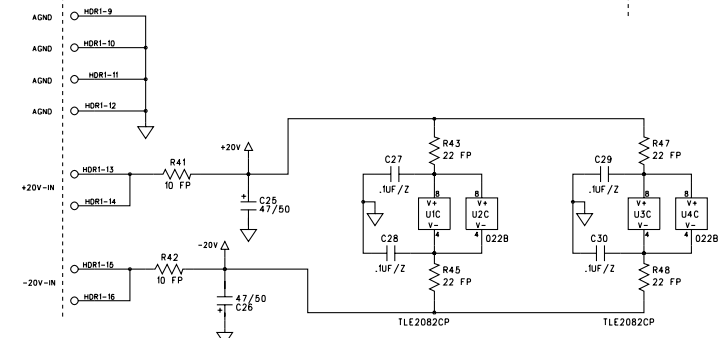
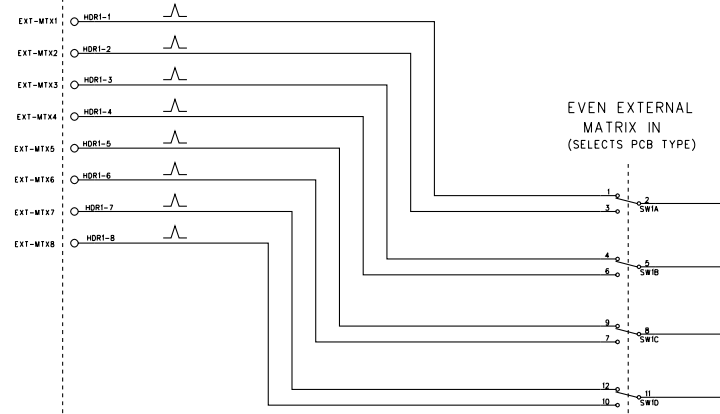




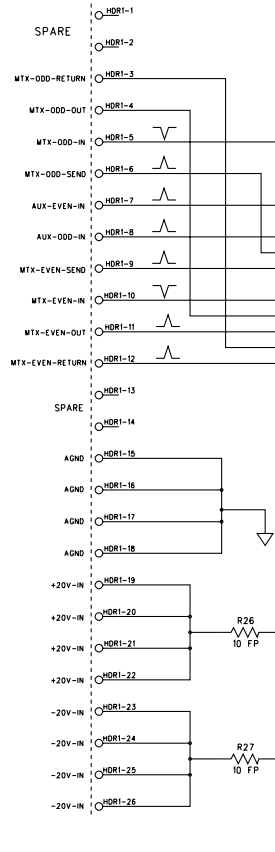




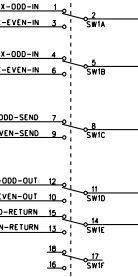
16 WAY EXTERNAL MATRIX RIBBON TO MASTER MOTHERBOARD HDR1



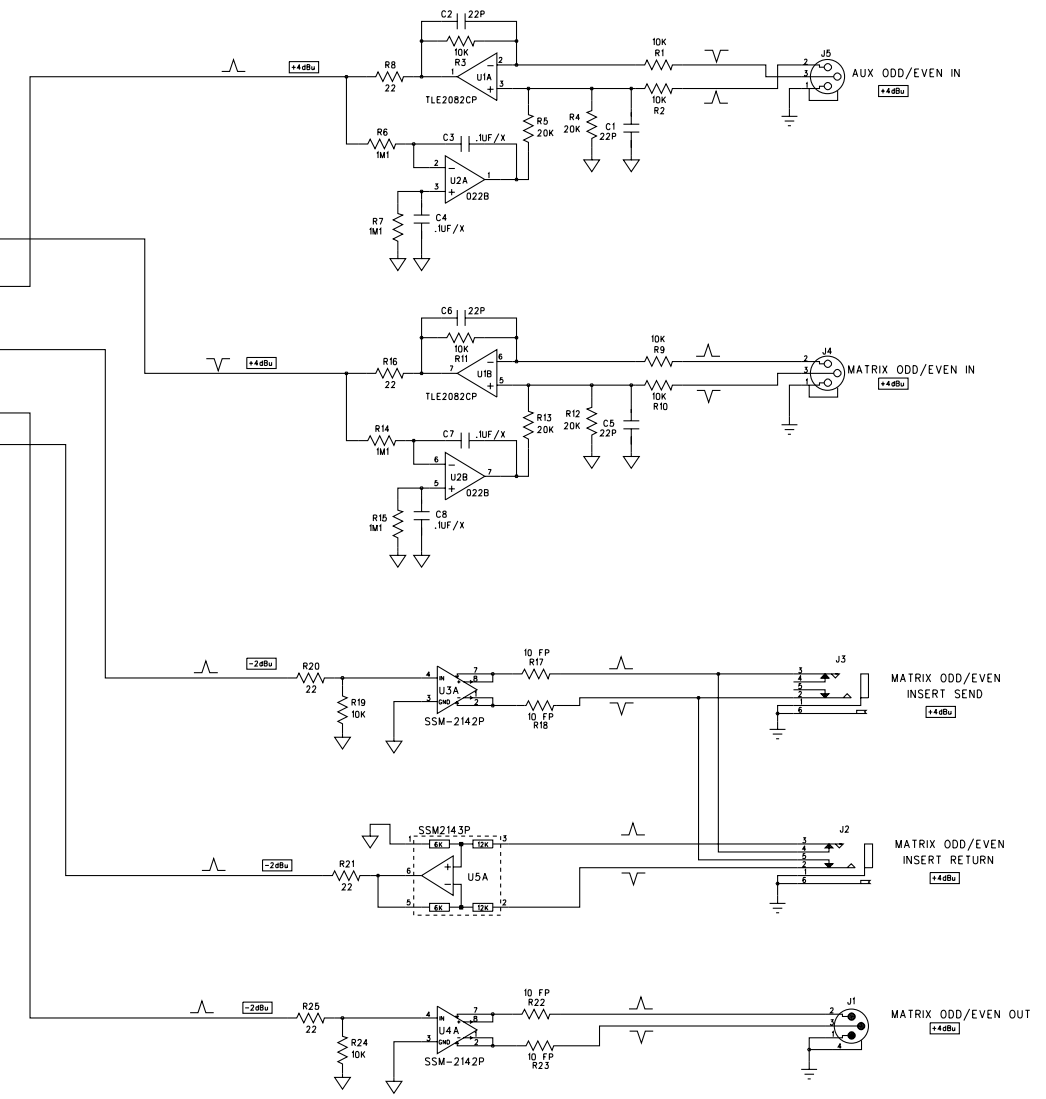
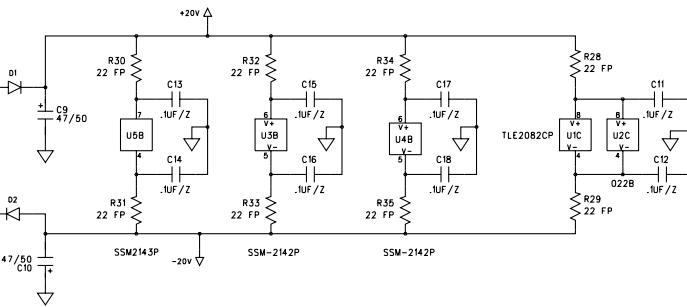
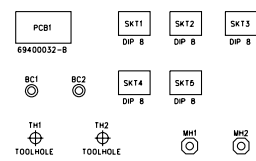
26 WAY OUTPUT MODULE
INTERFACE PCB TO MASTER
MOTHERBOARD HDR2/HDR3/HDR4/HDR5

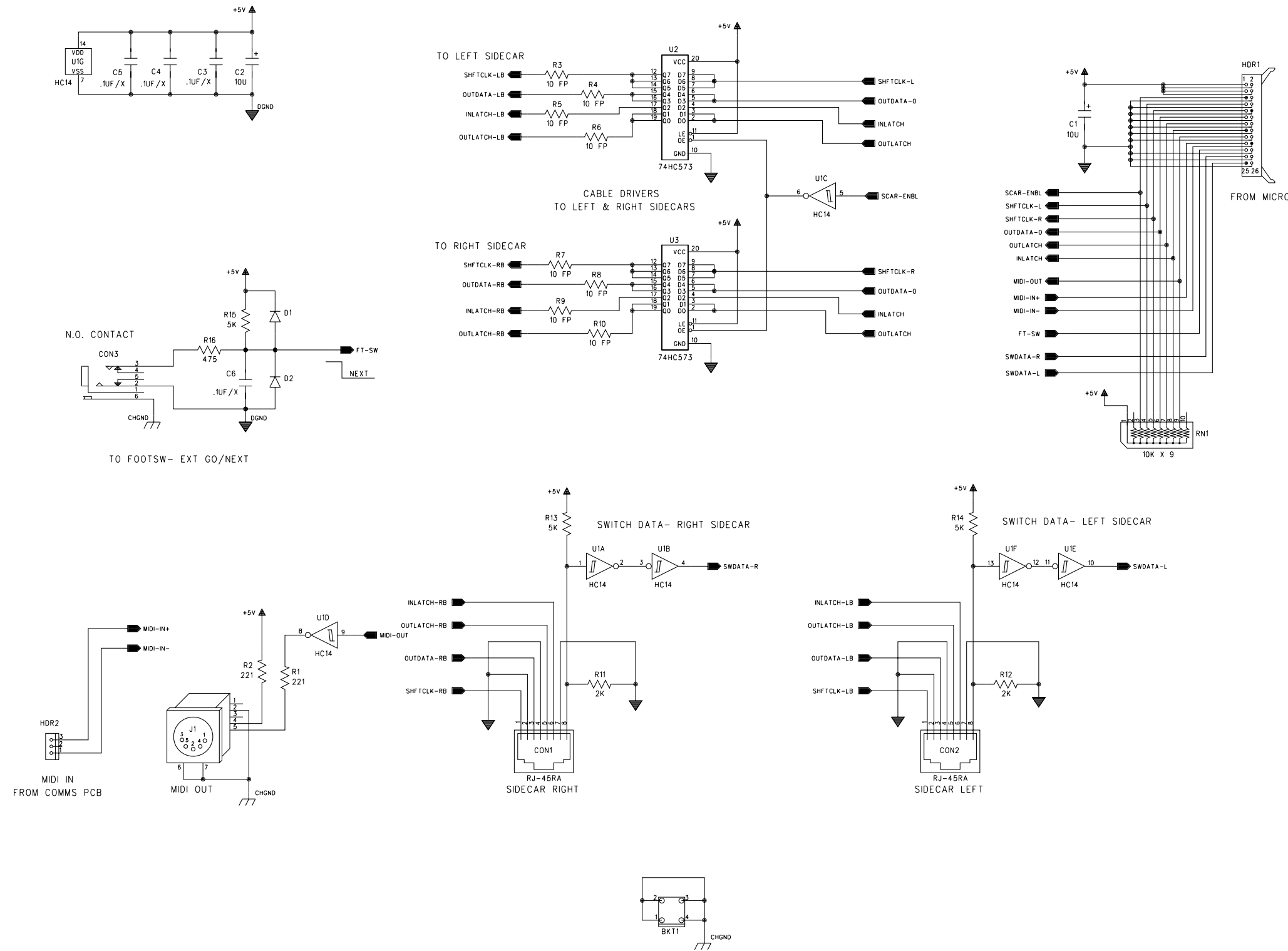


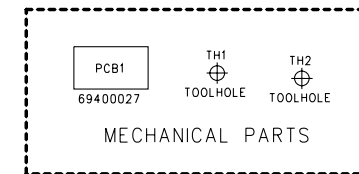
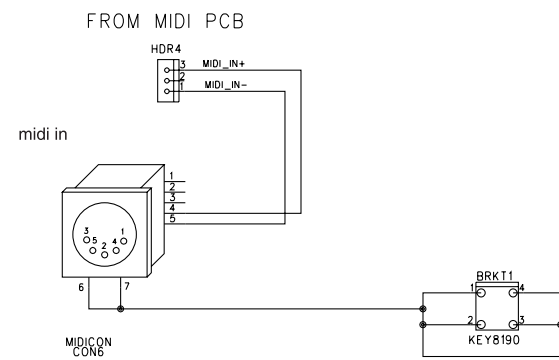
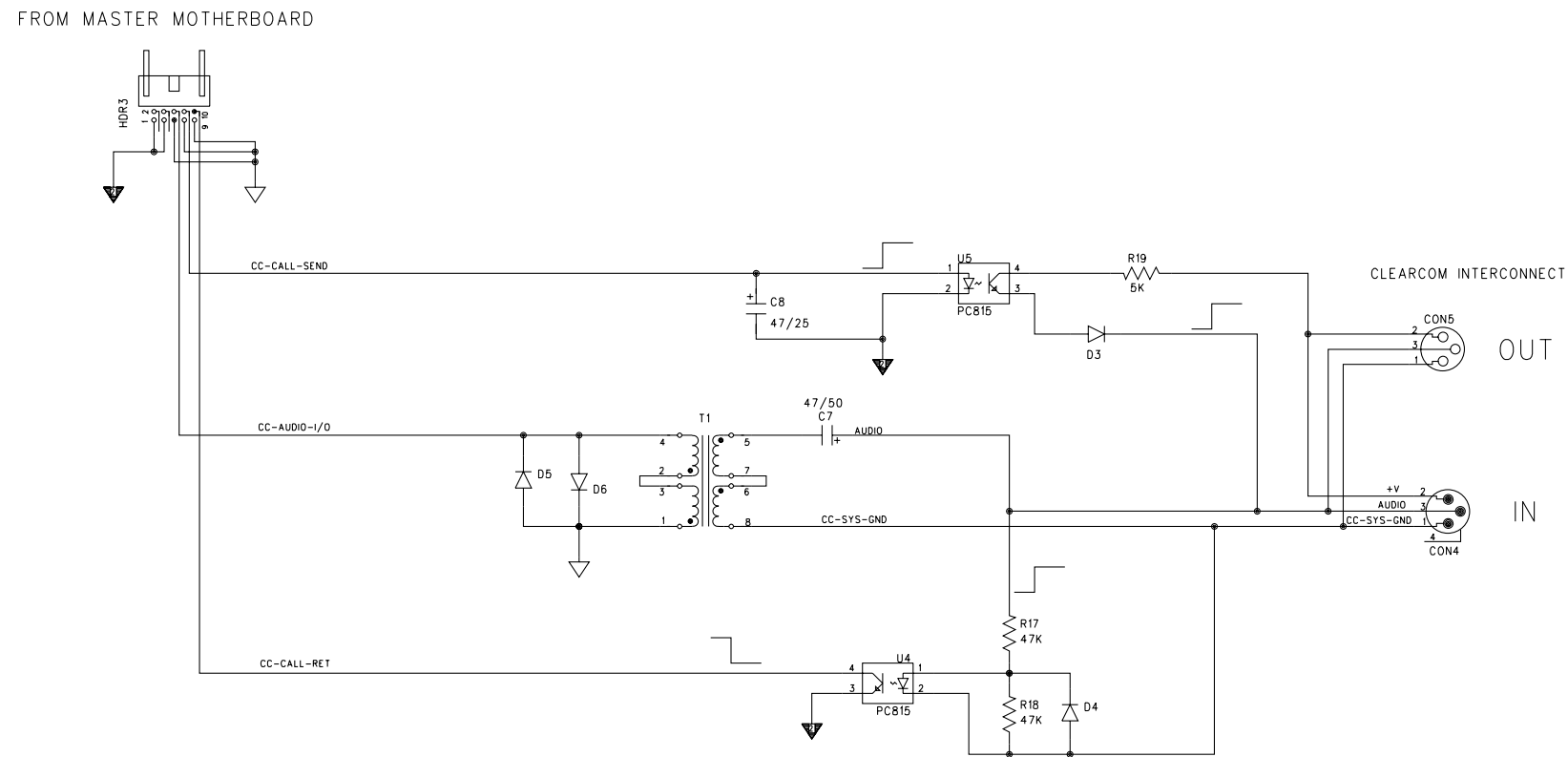
EVEN IN/OUT
(SELECT PCB TYPE)

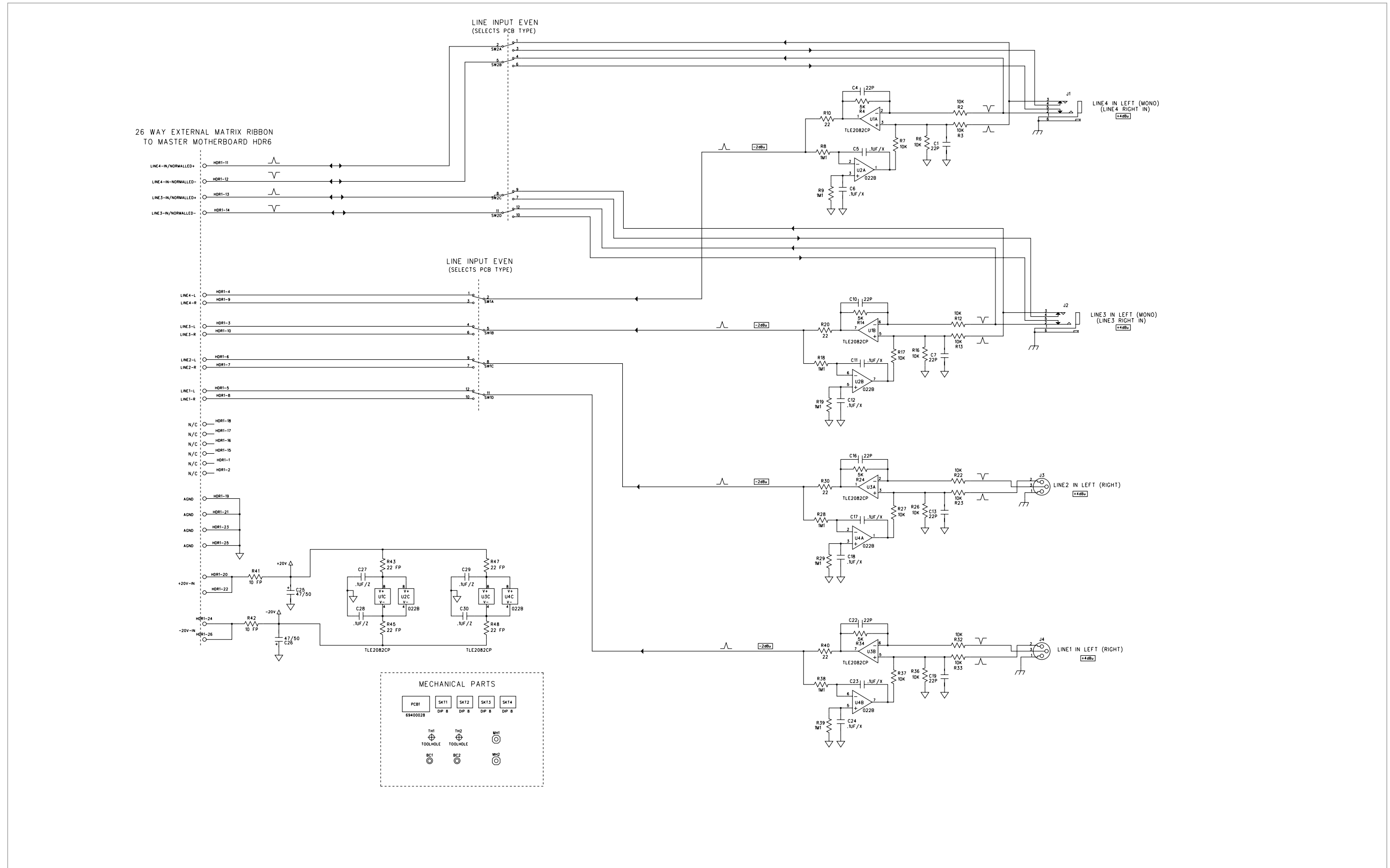


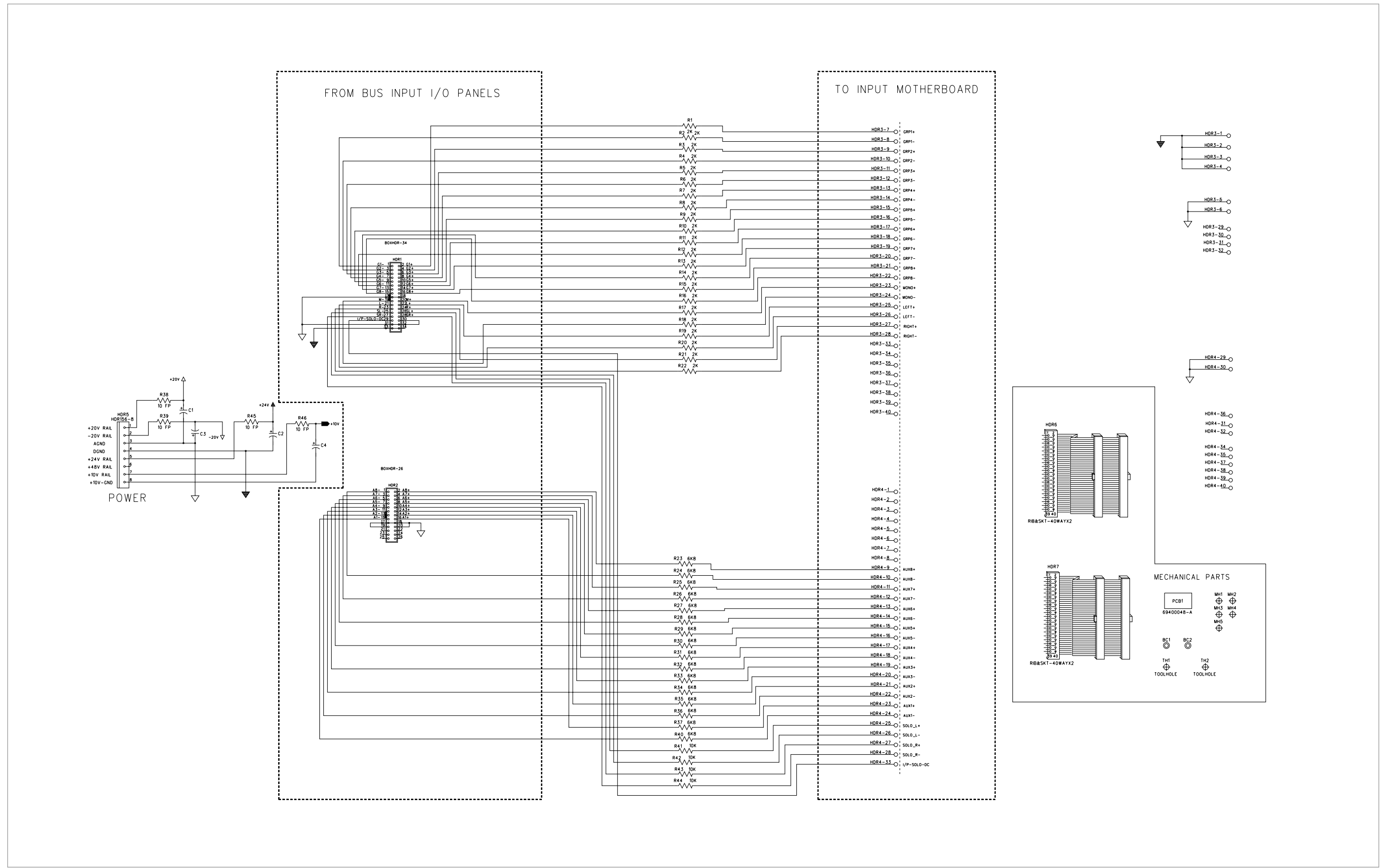
MECHANICAL PARTS

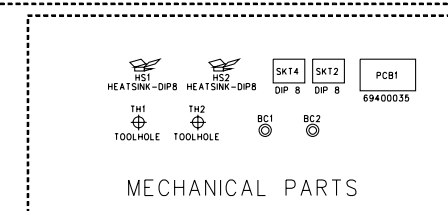
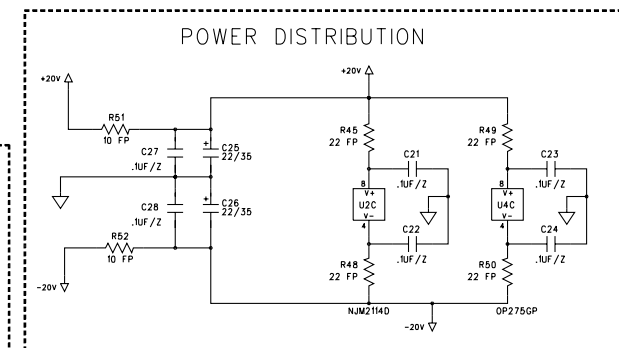
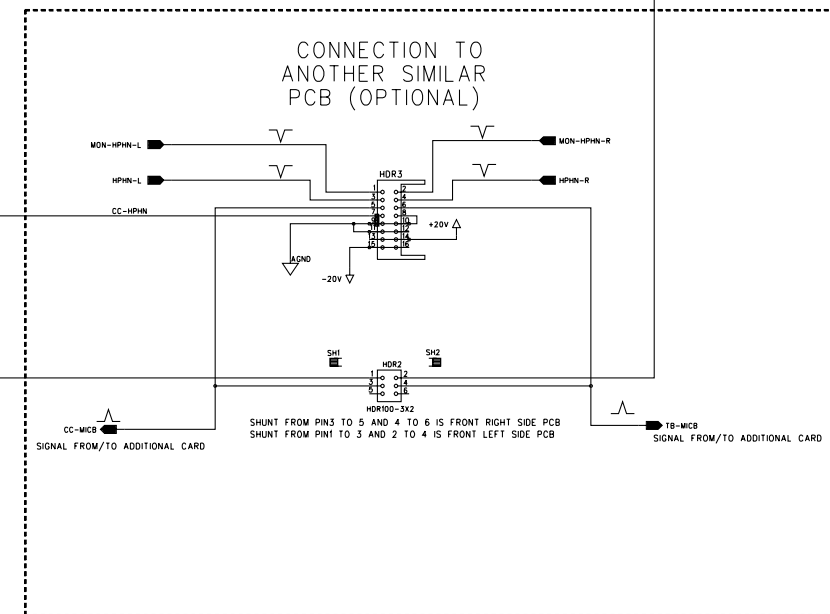
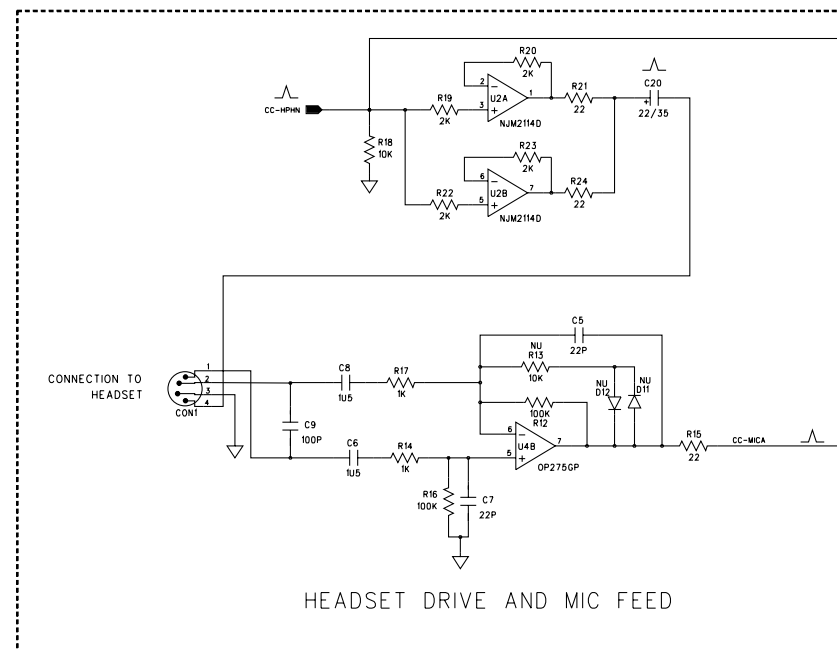
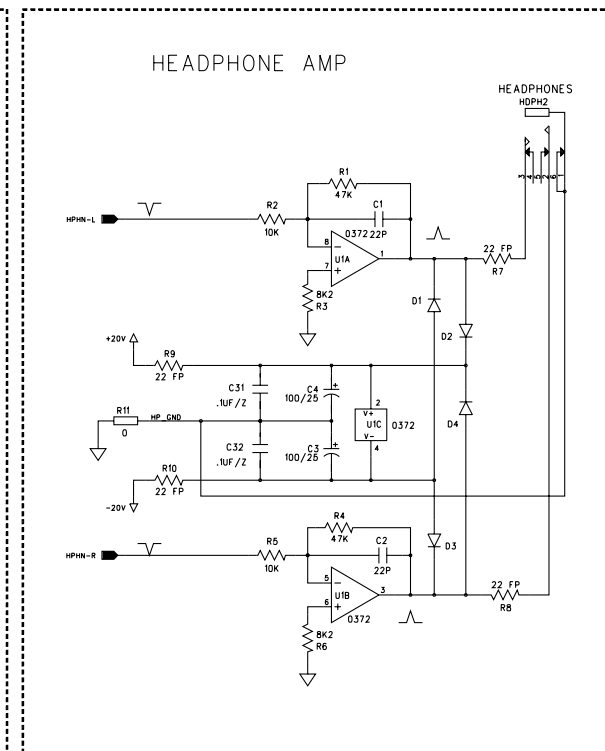
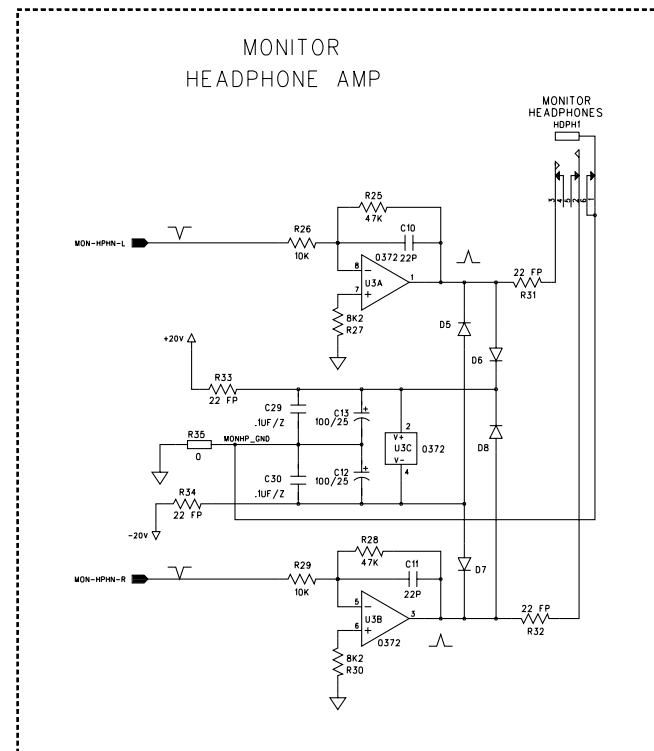
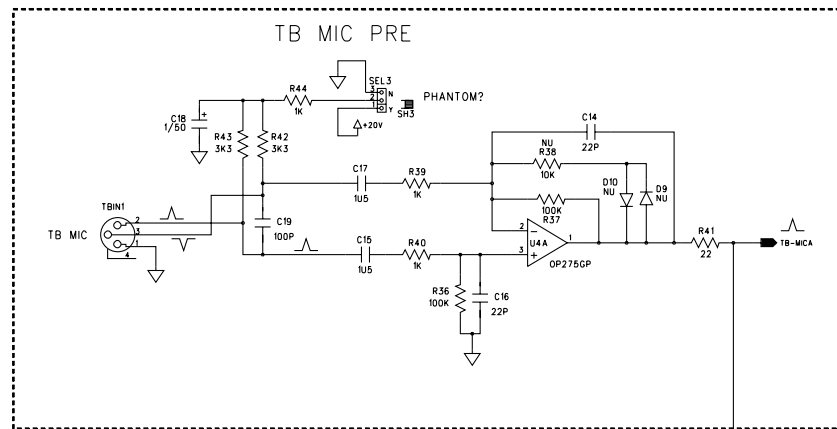
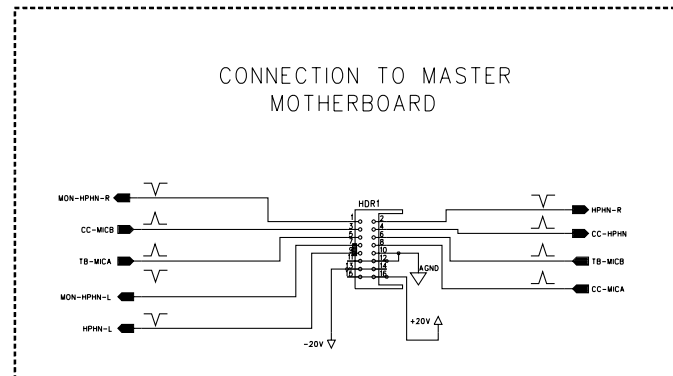


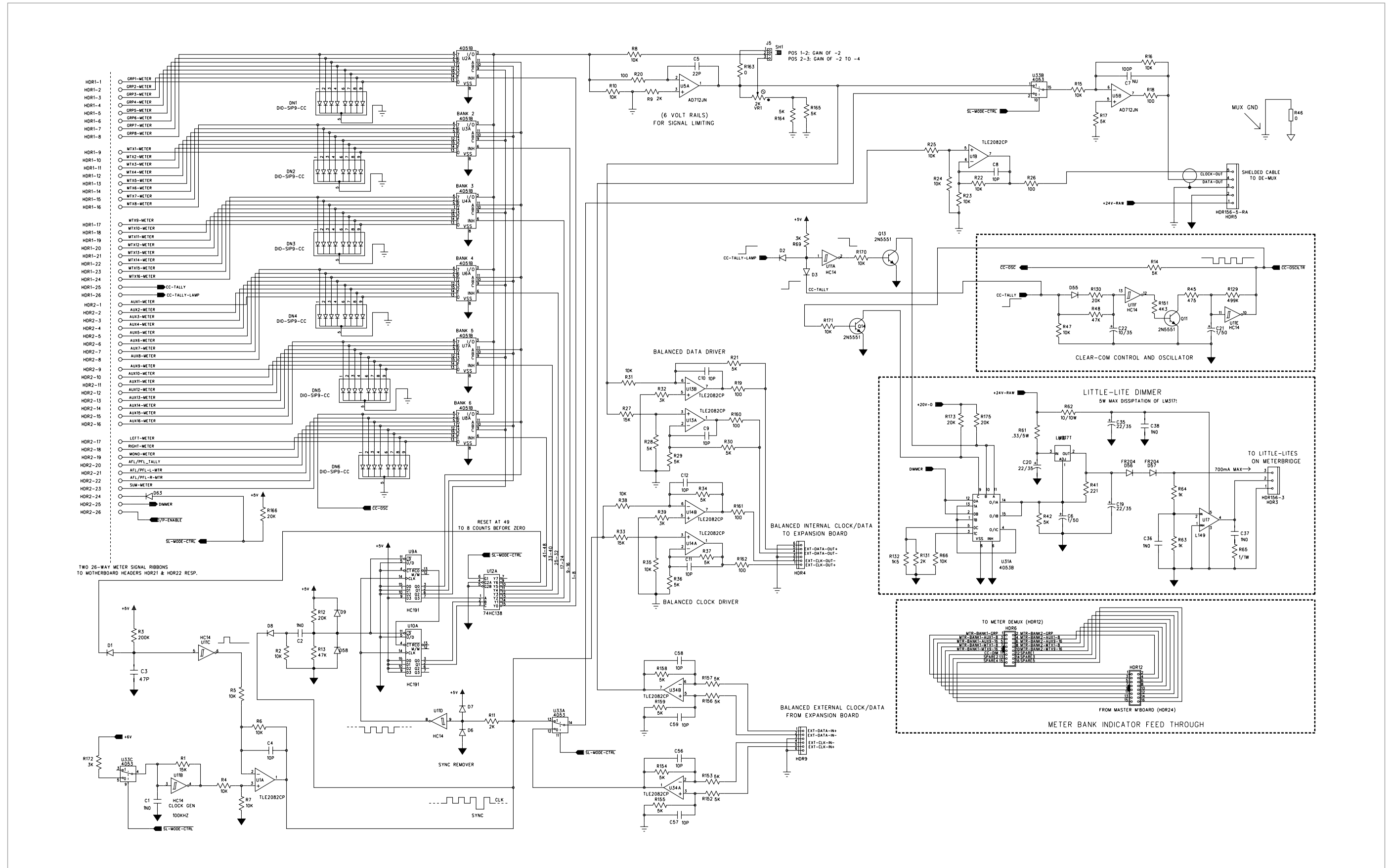


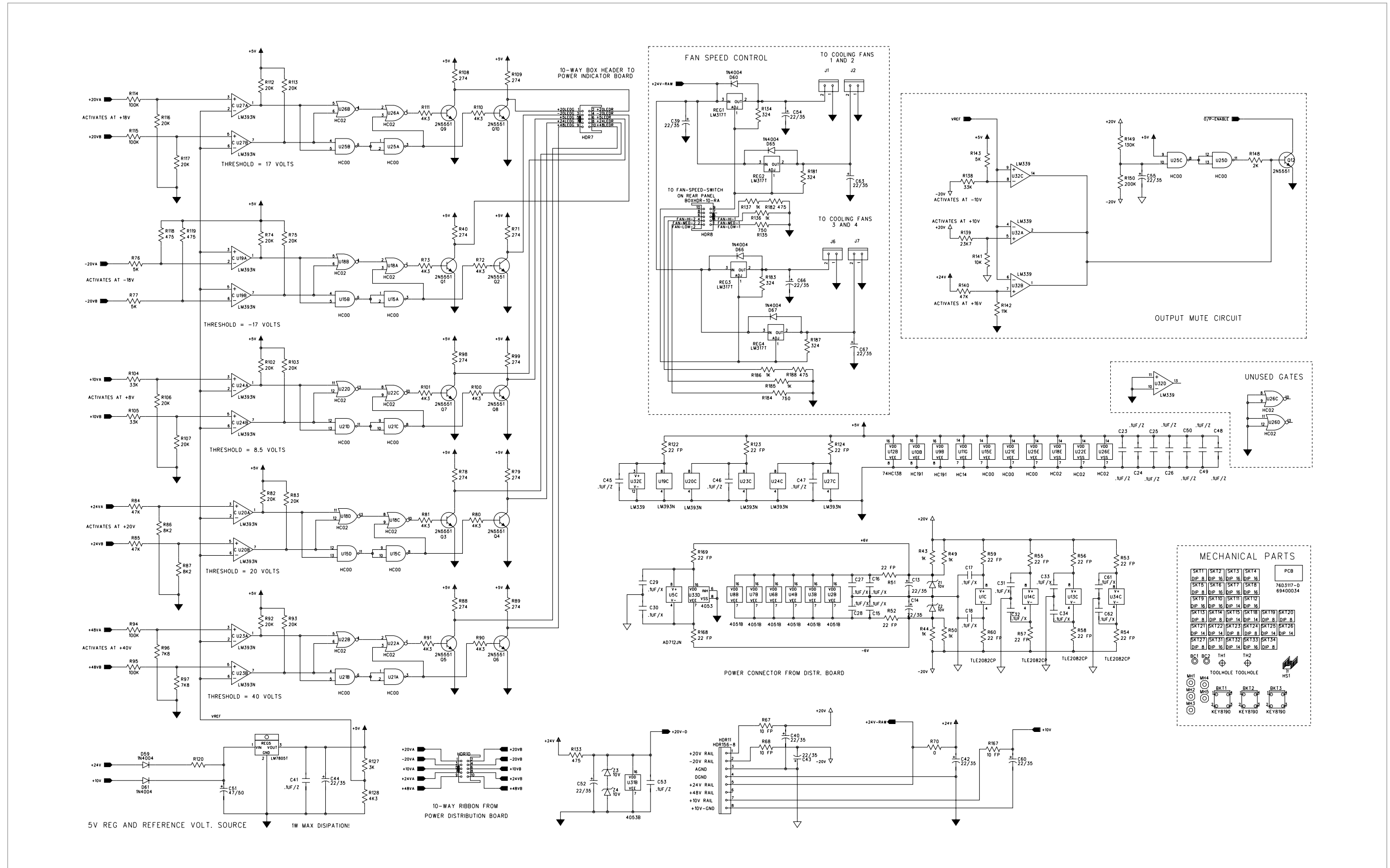


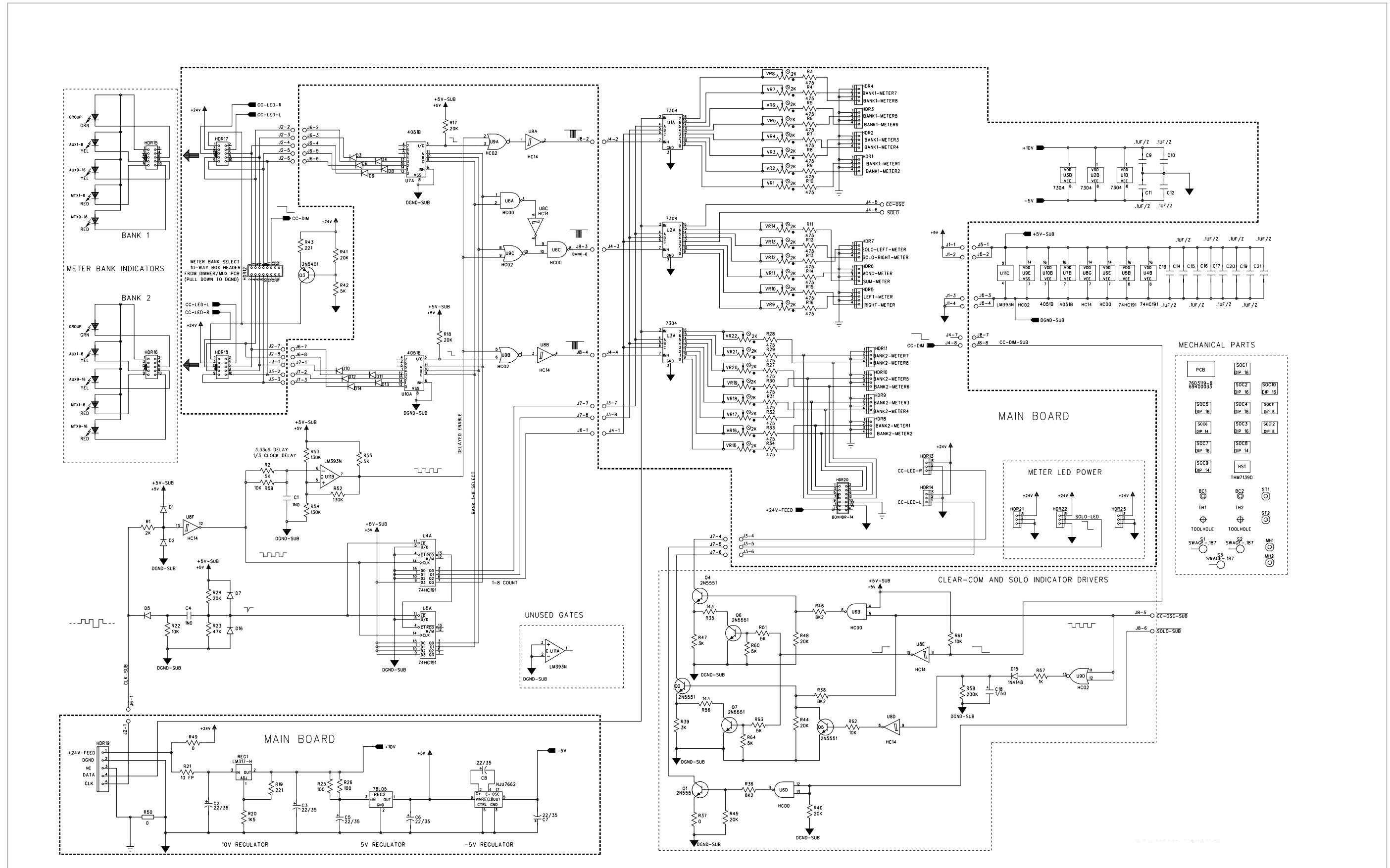


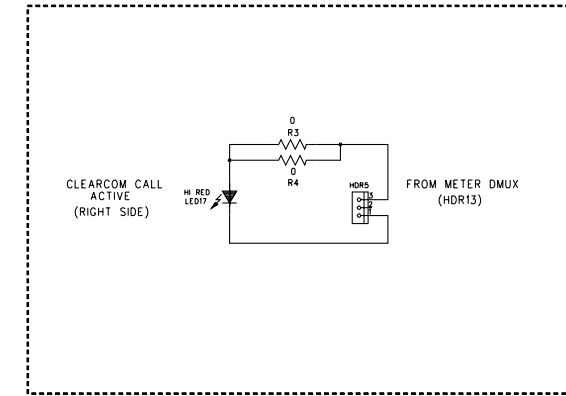
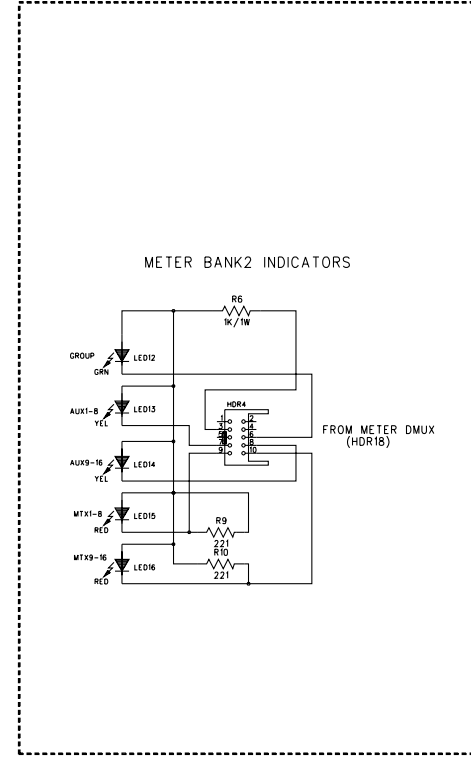
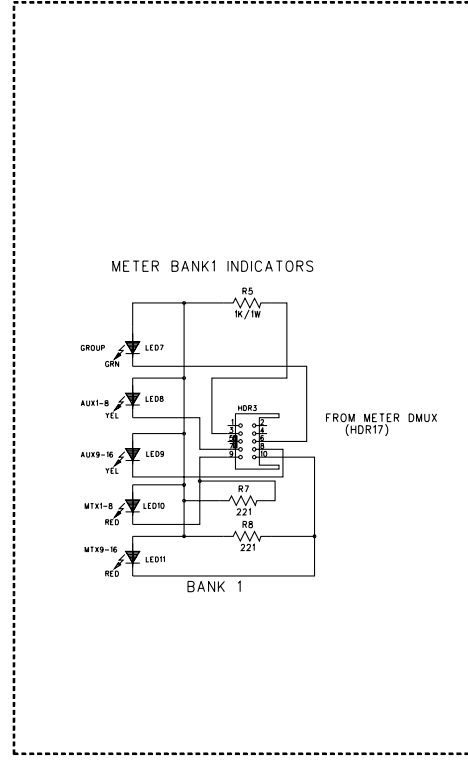
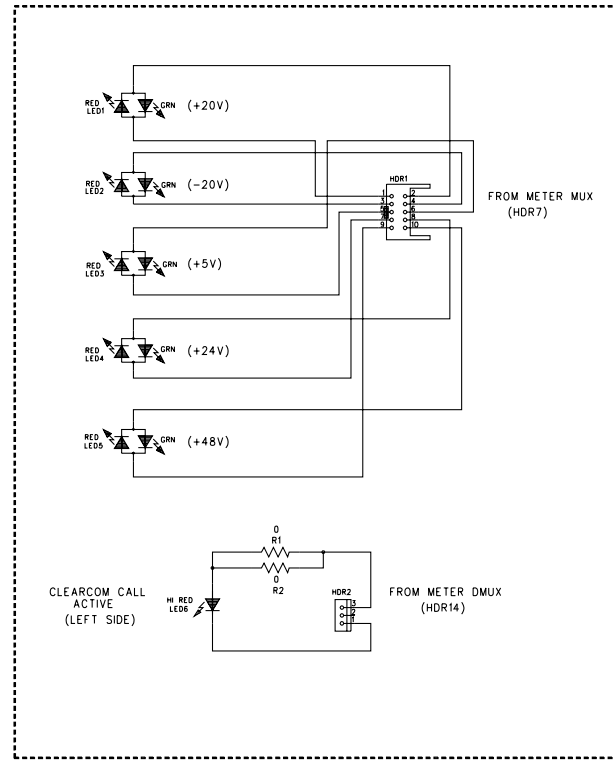




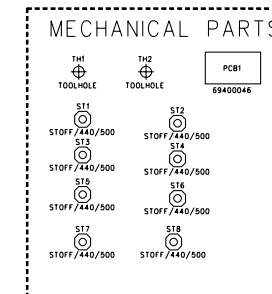


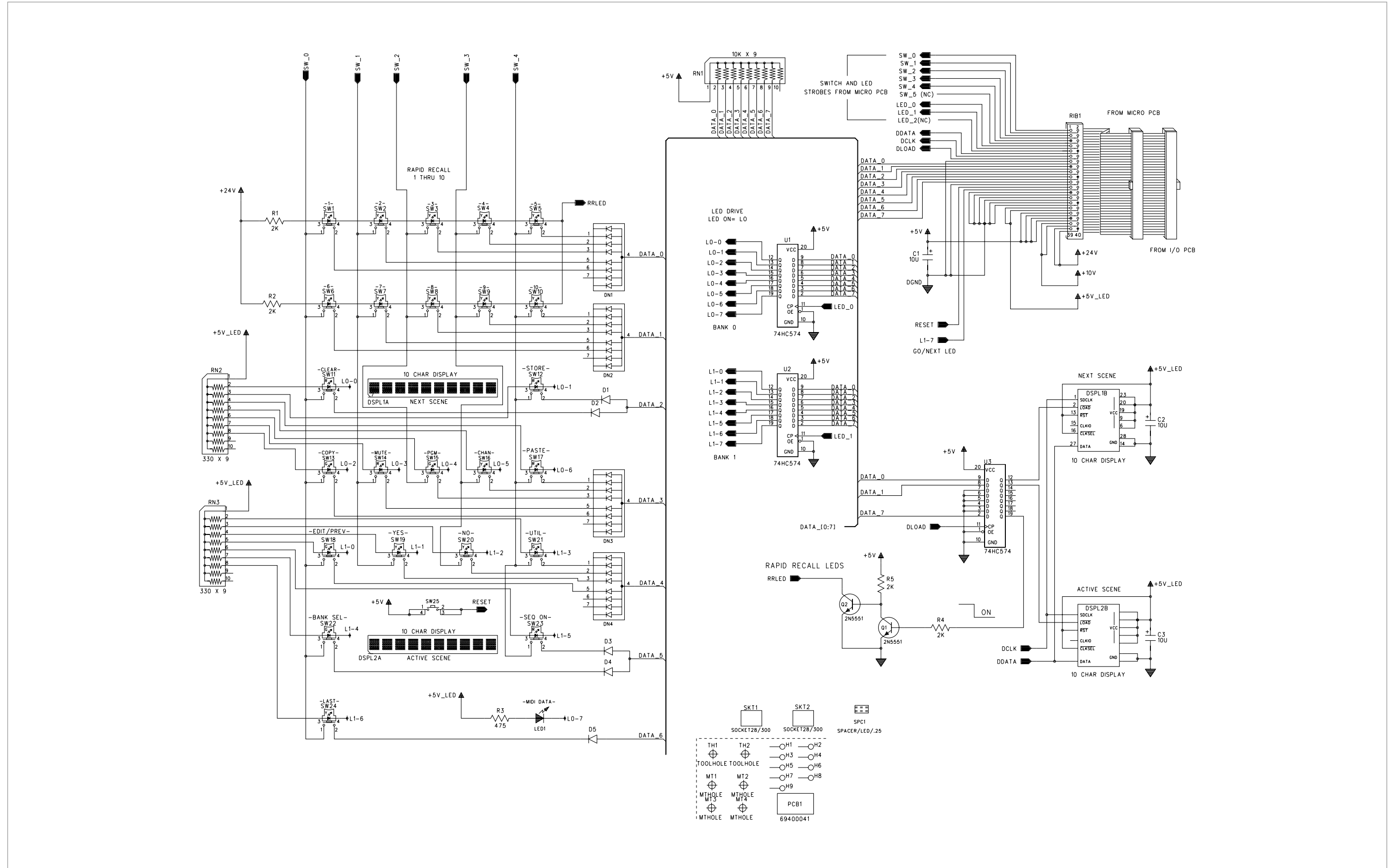


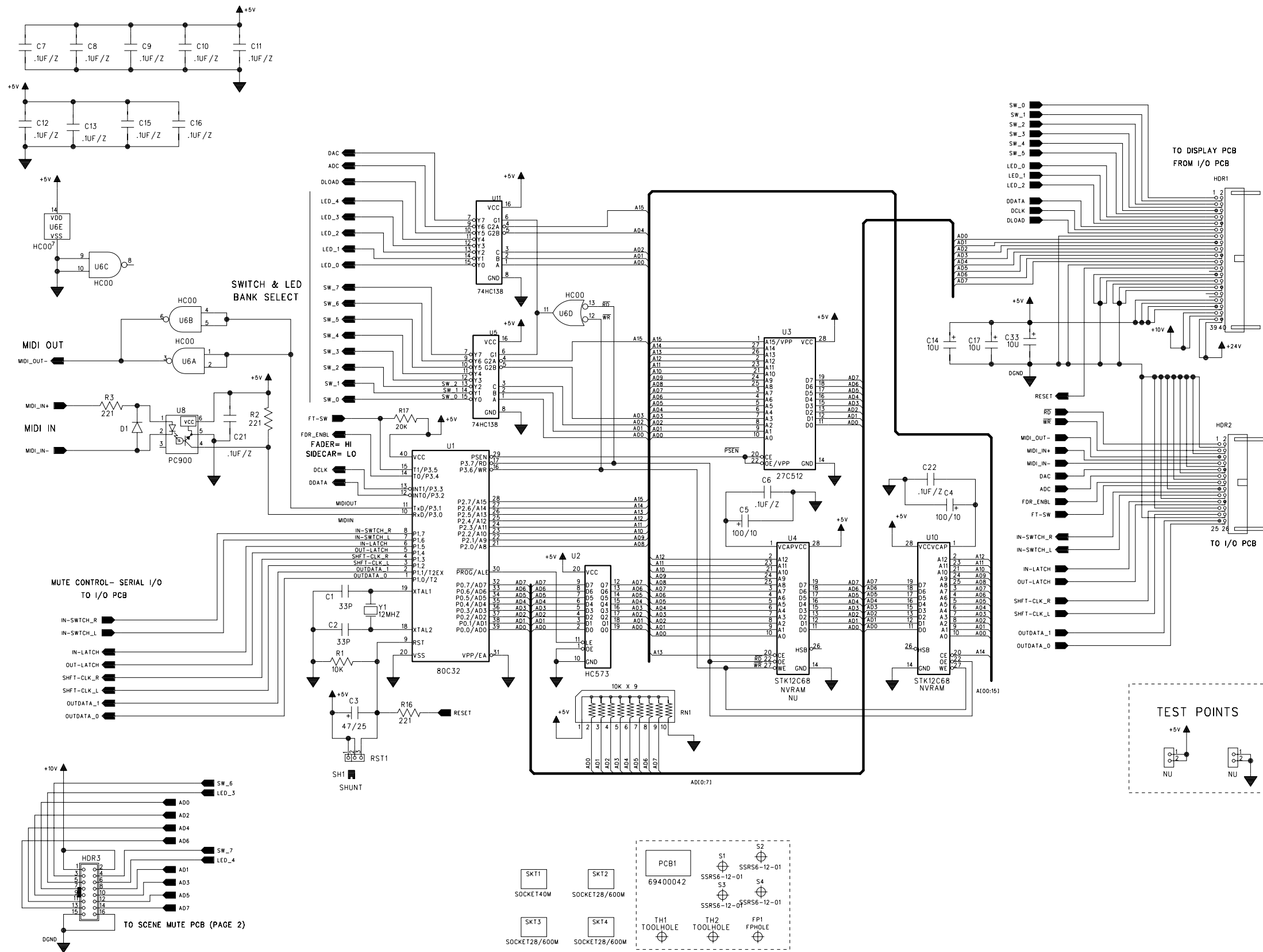


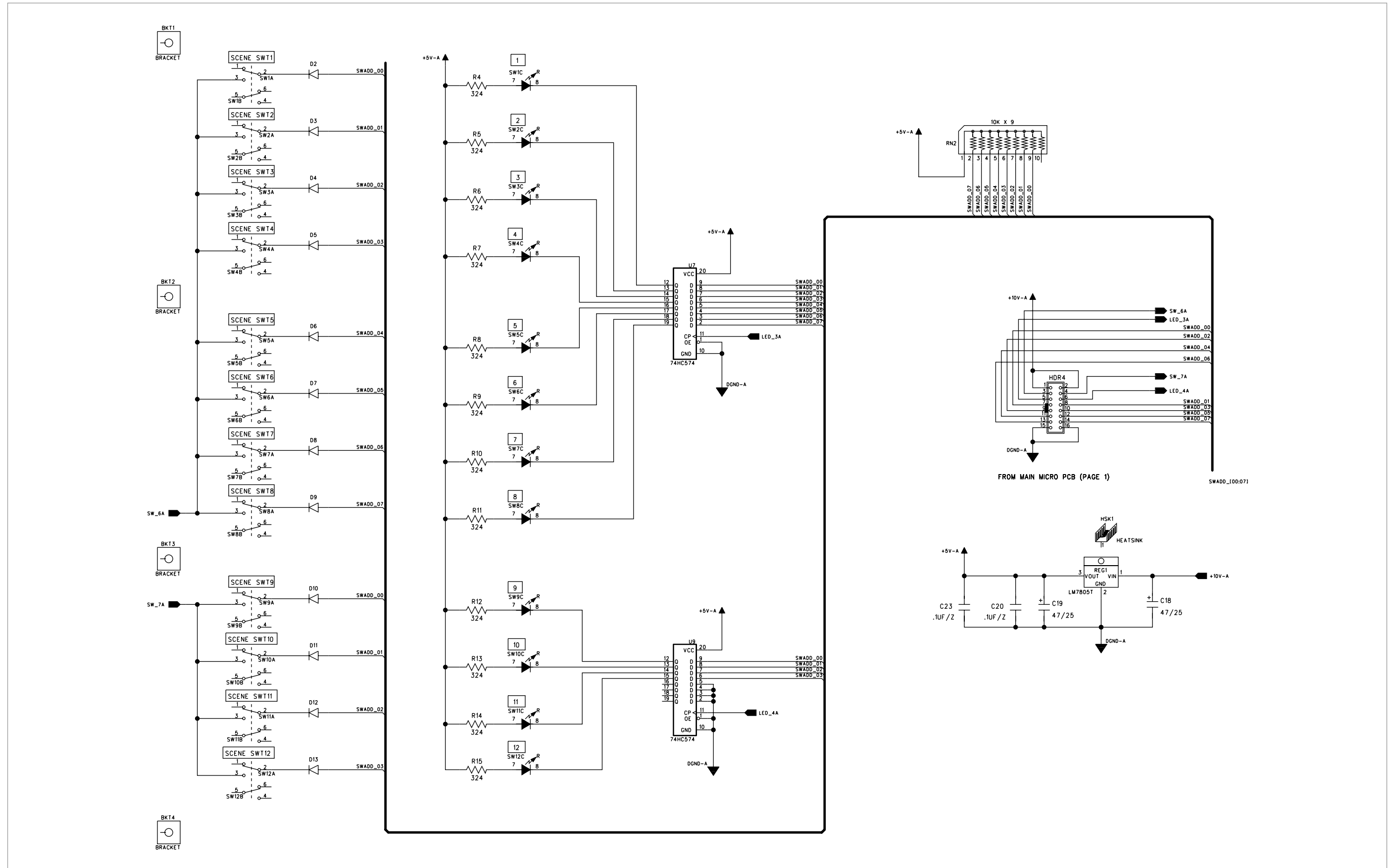


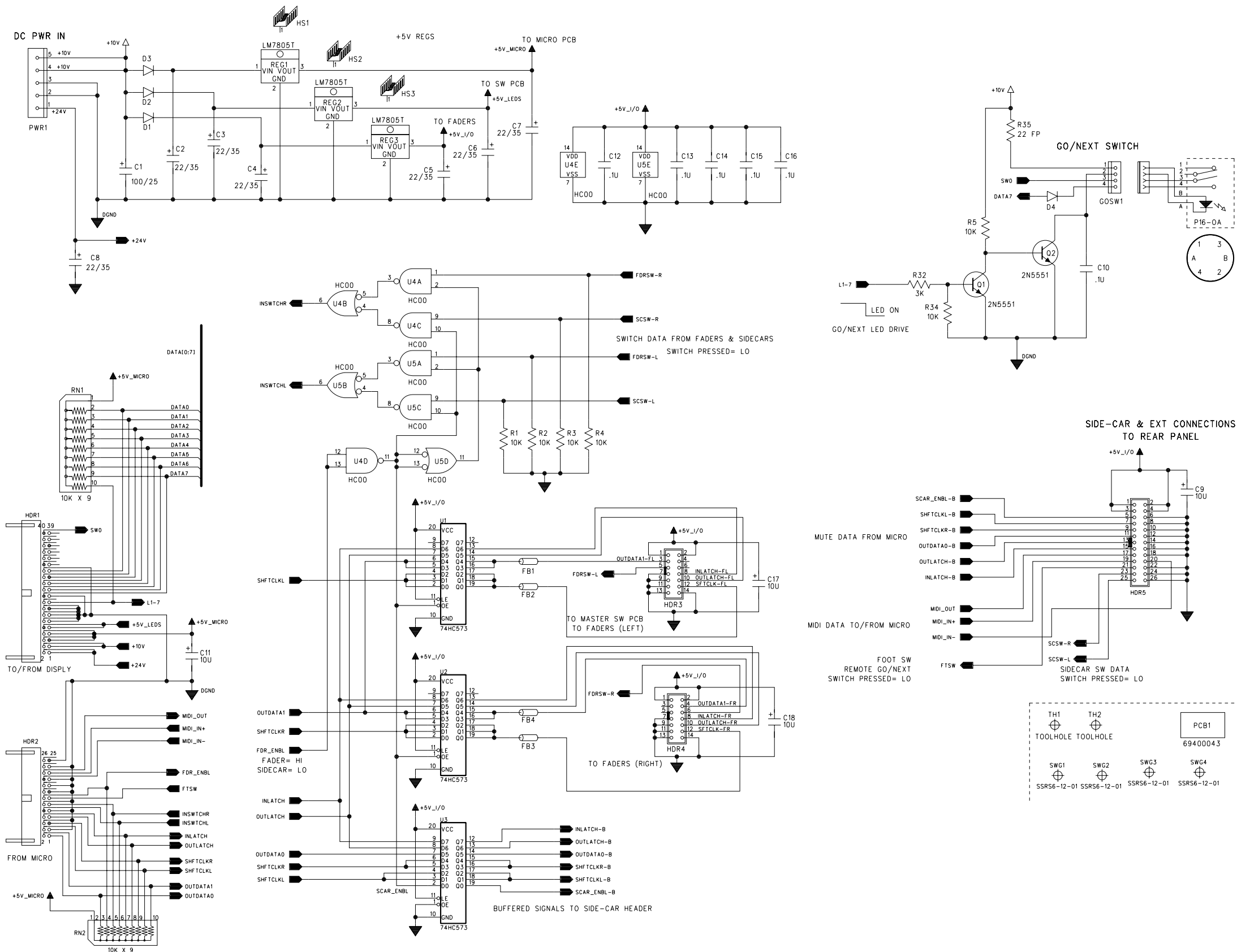
REVISION RECORD					
REV LEVEL	ASMBLY LEVEL	DATE	DCO	ENG.	DESCRIPTION
B	A	2/4/99	886	TAZ	REVA TO REV B CHANGE. TO HAVE THE METER BANK SELECT DERIVE IT'S CURRENT LOCALLY AND NOT FROM A INSUFFICIENT CURRENT SOURCE LOCATED ON METER DEMUX PCB. ADDED R5 & R6= 1K 1W ADDED R7- R10 = 221R

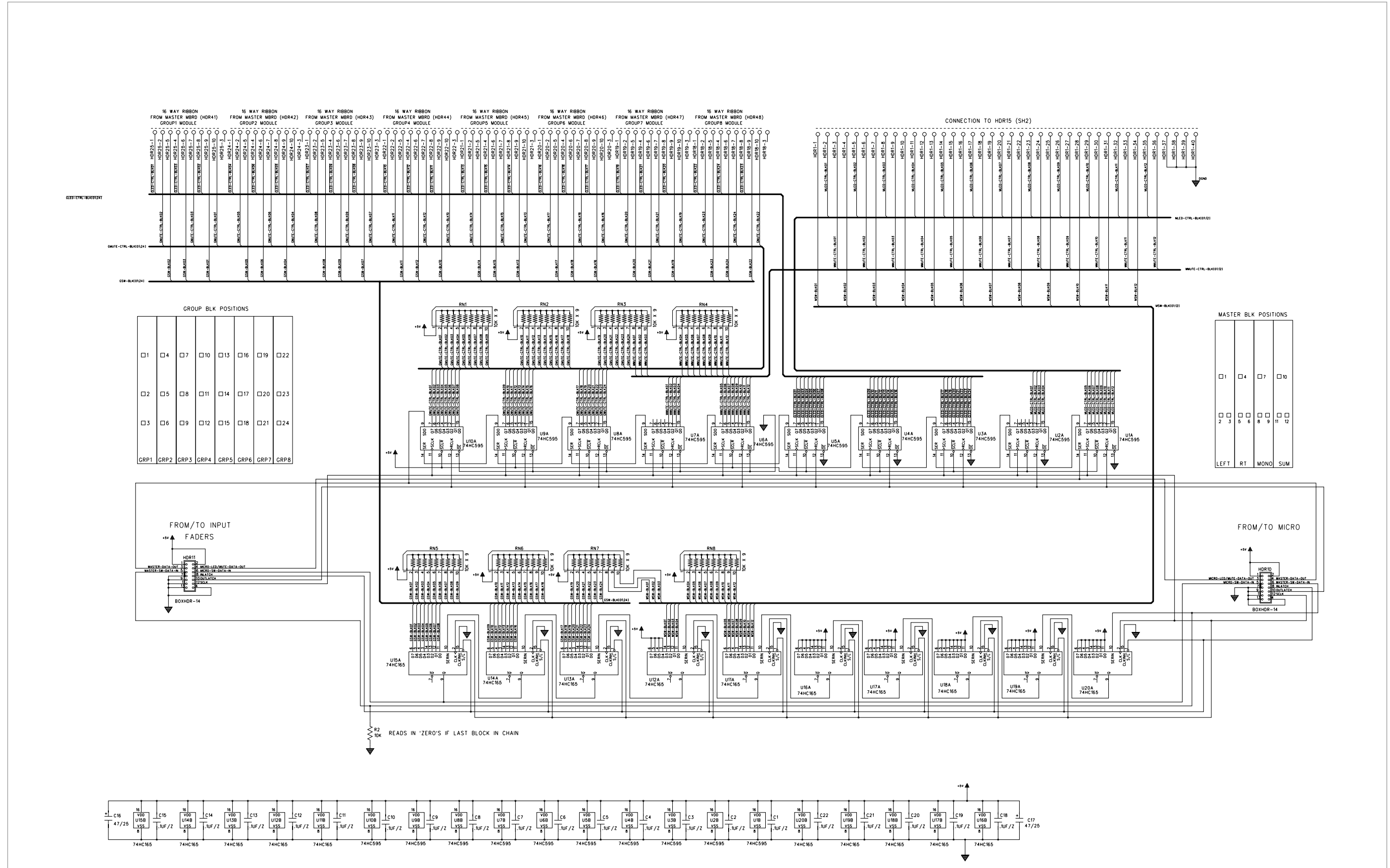


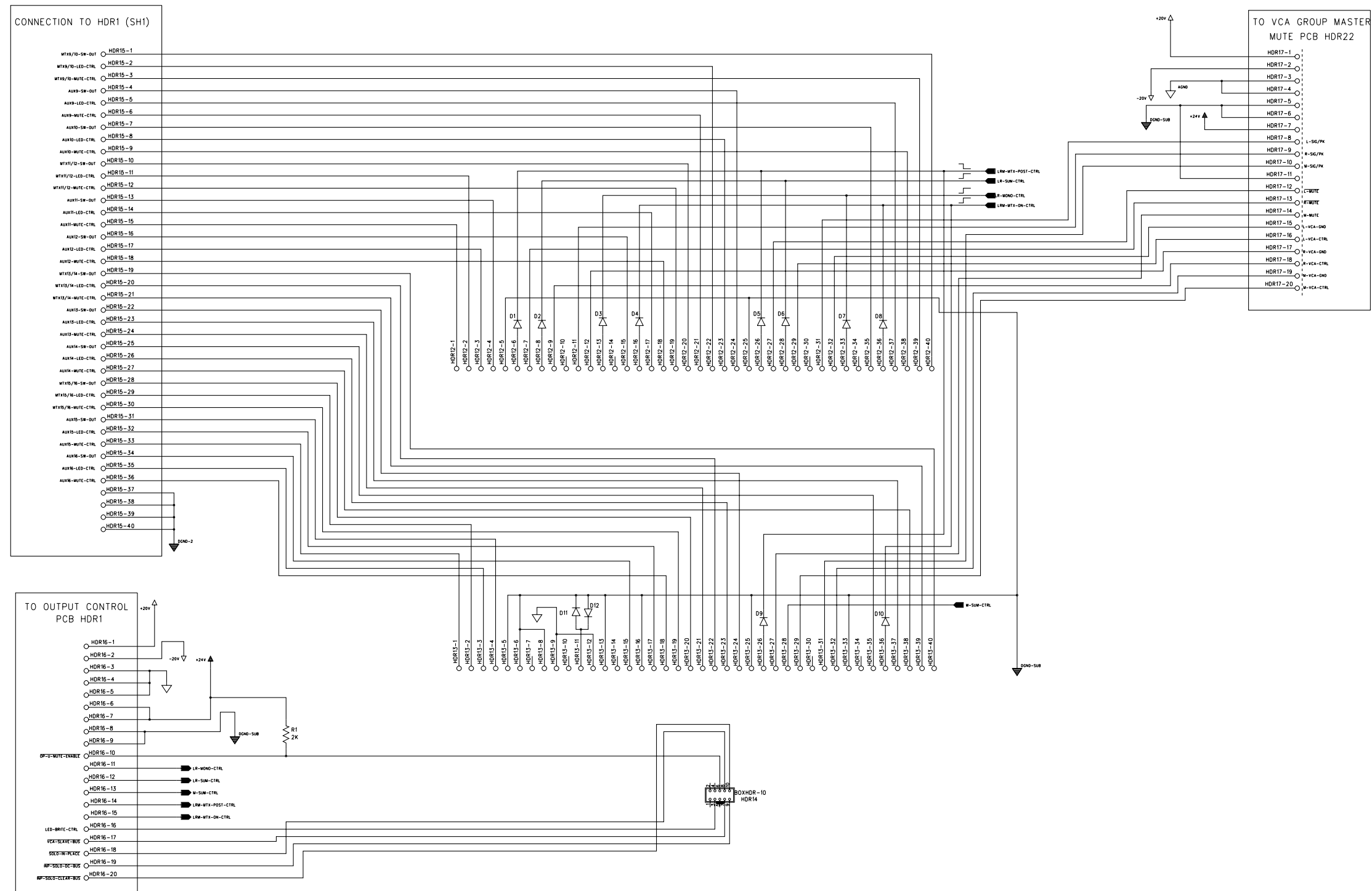




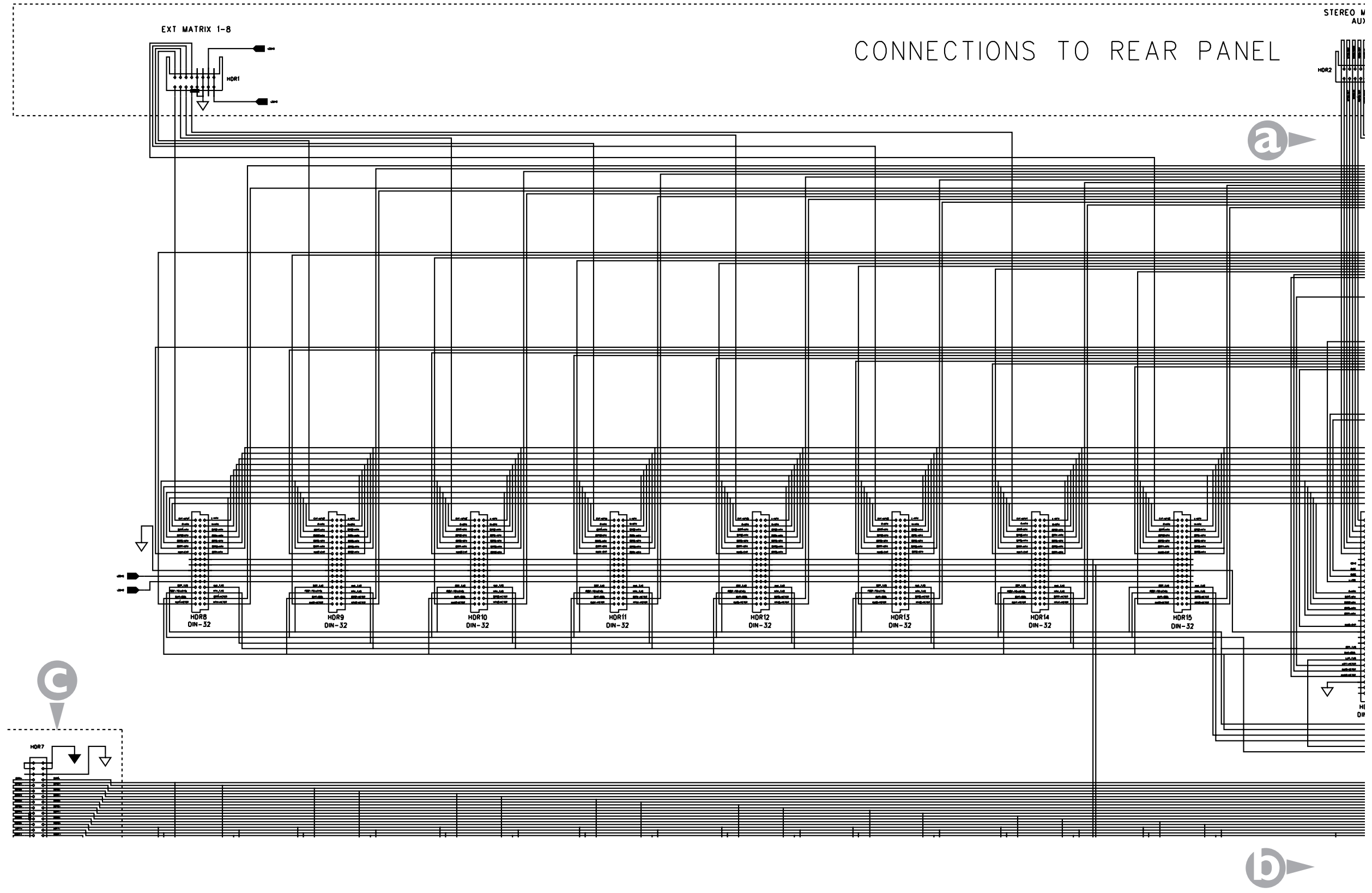








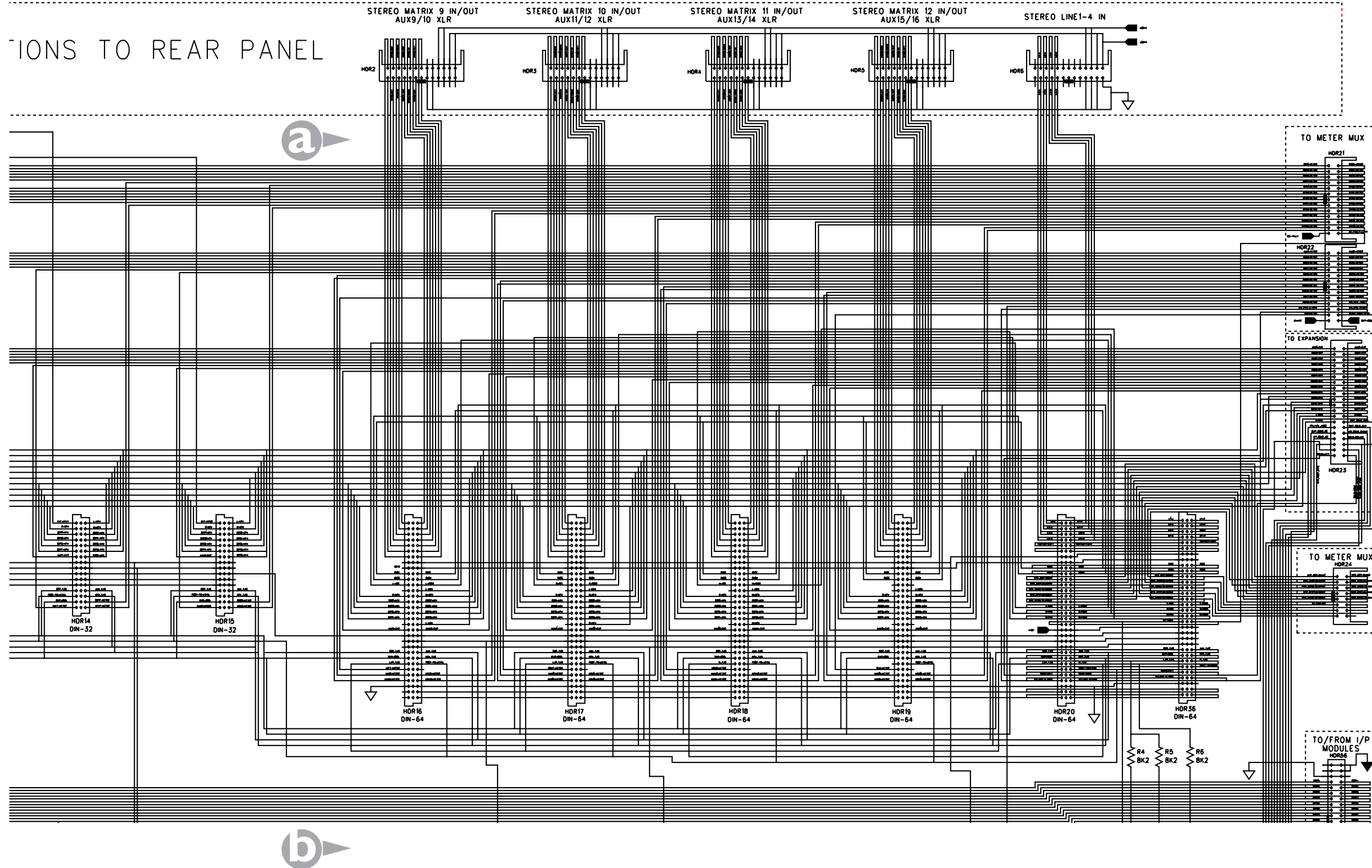
continued on next page



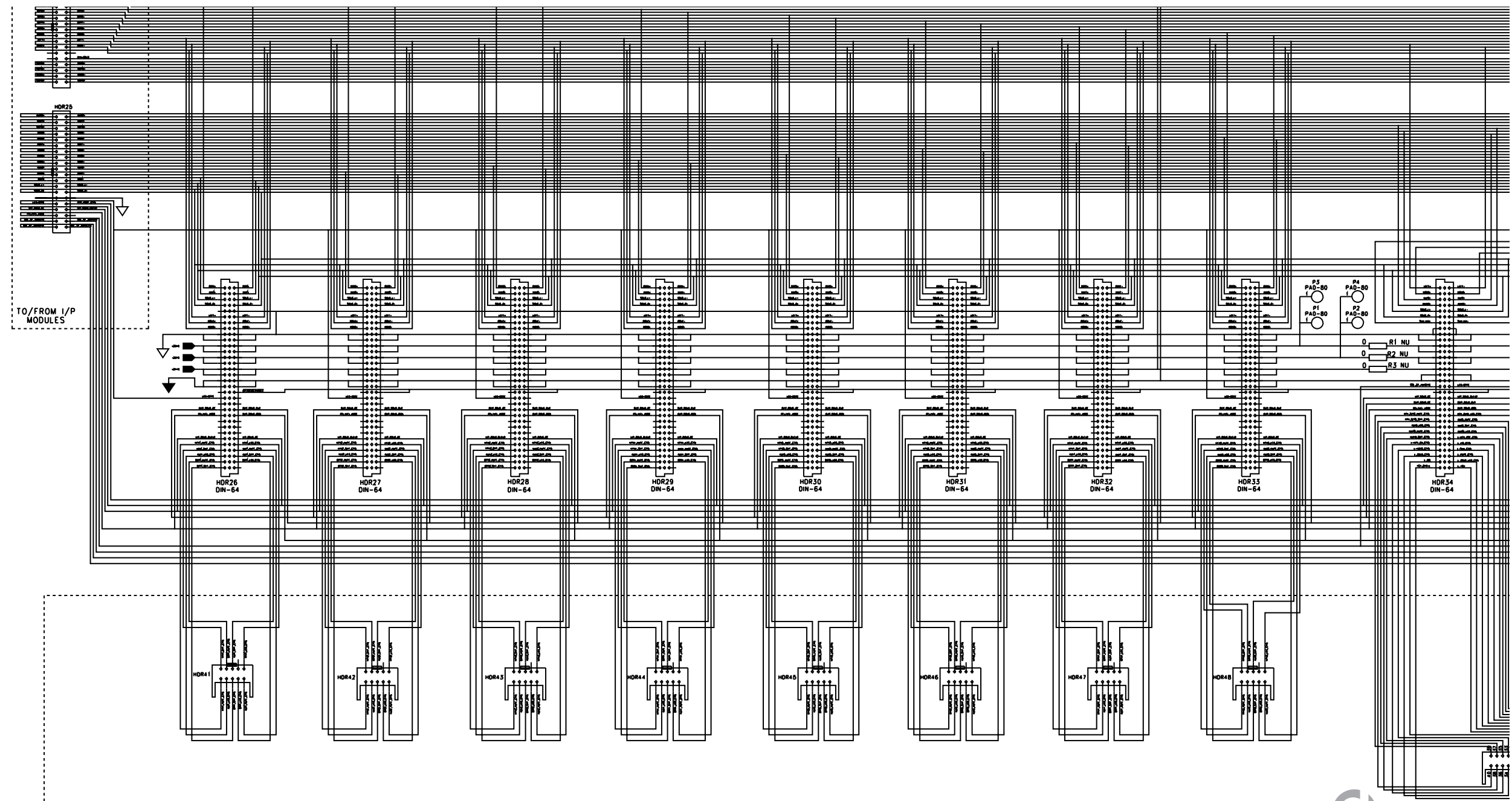
12

continued from previous page

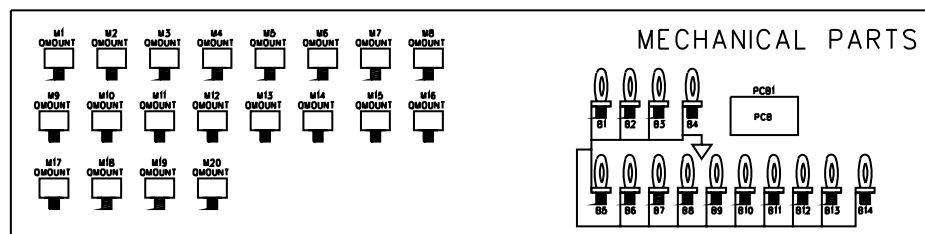
CONNECTIONS TO REAR PANEL



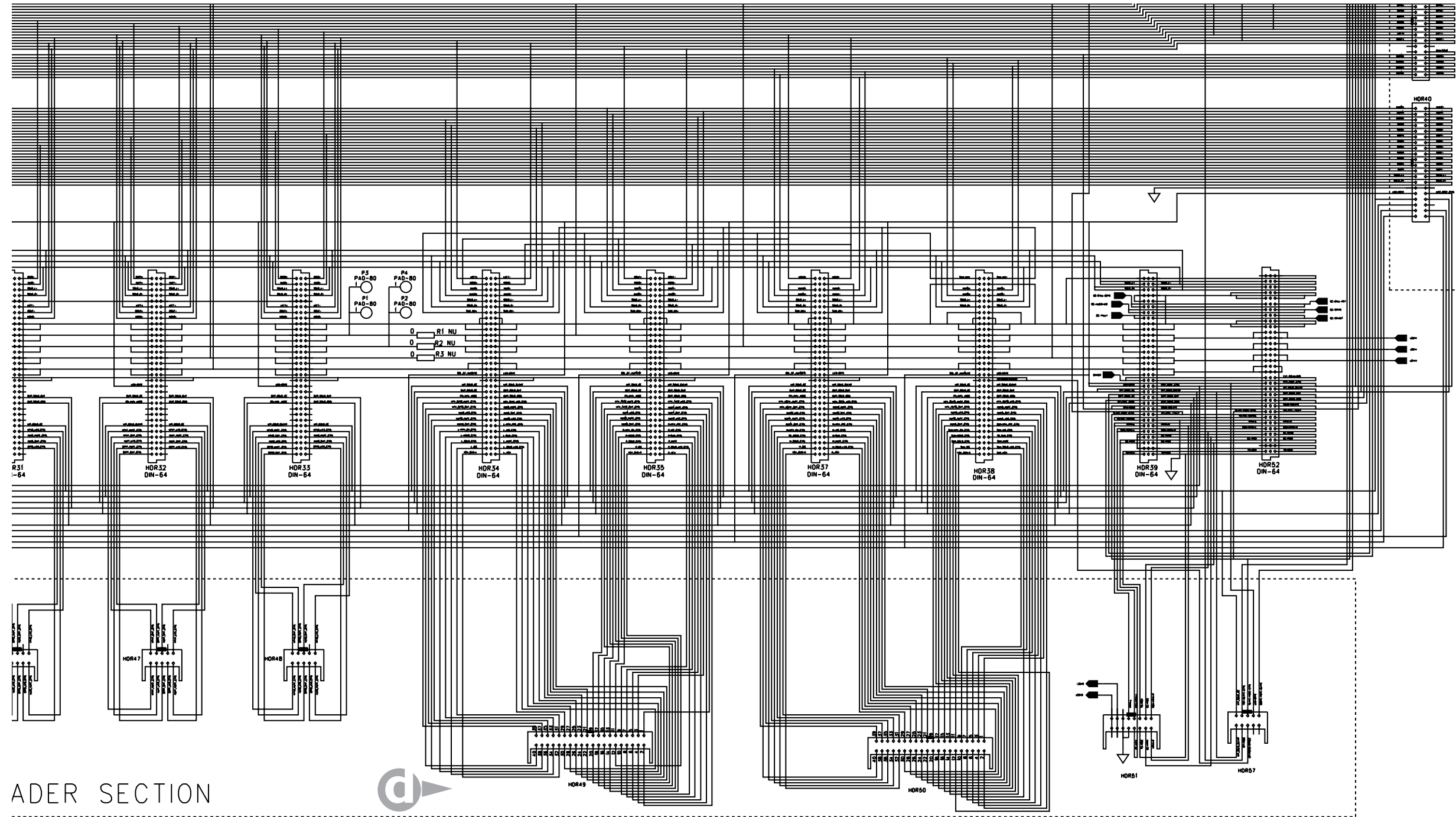
continued from previous page



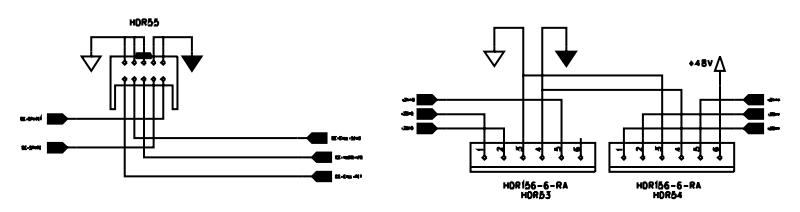
CONNECTIONS TO FADER SECTION



continued from previous page

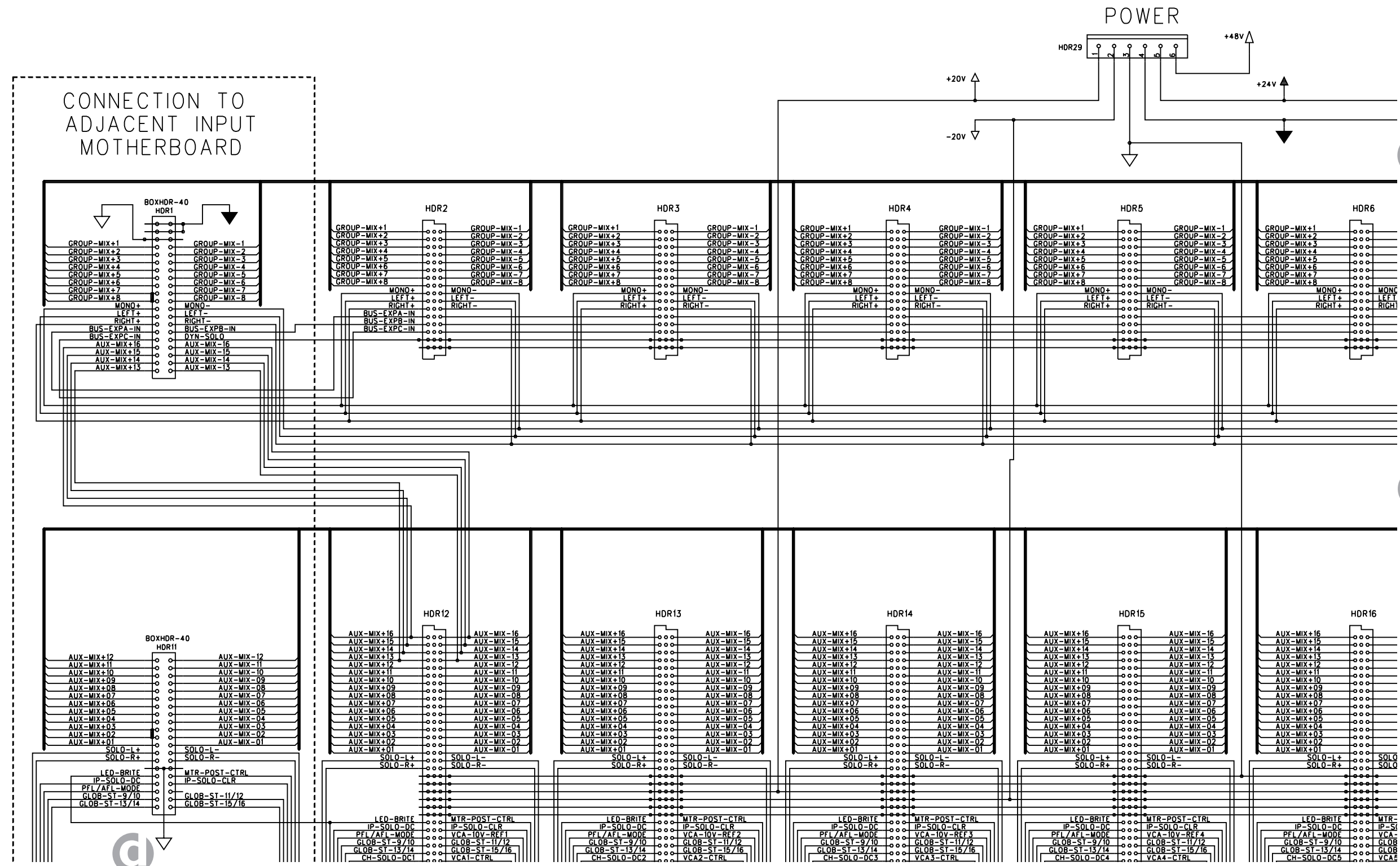


ADDER SECTION

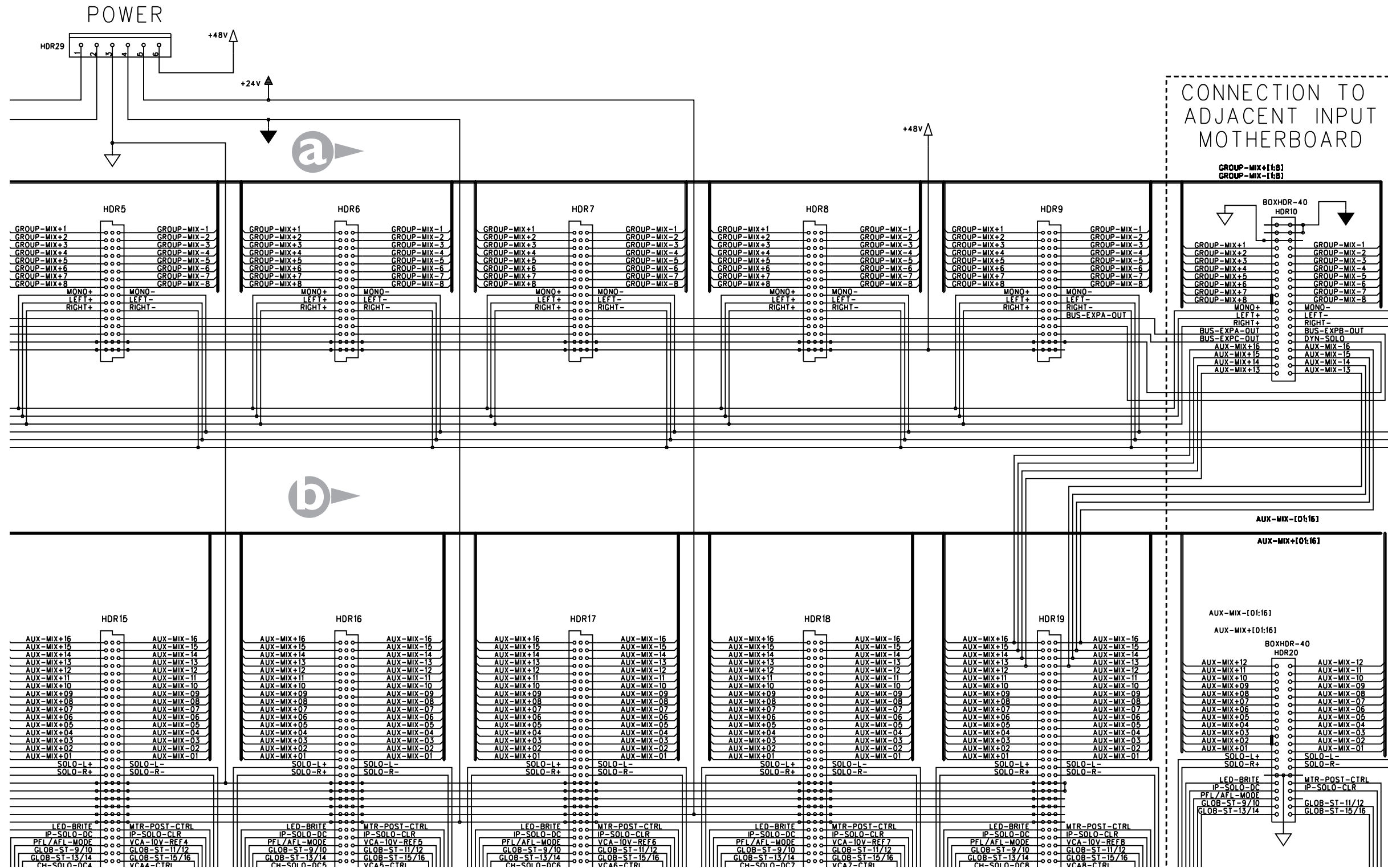


12

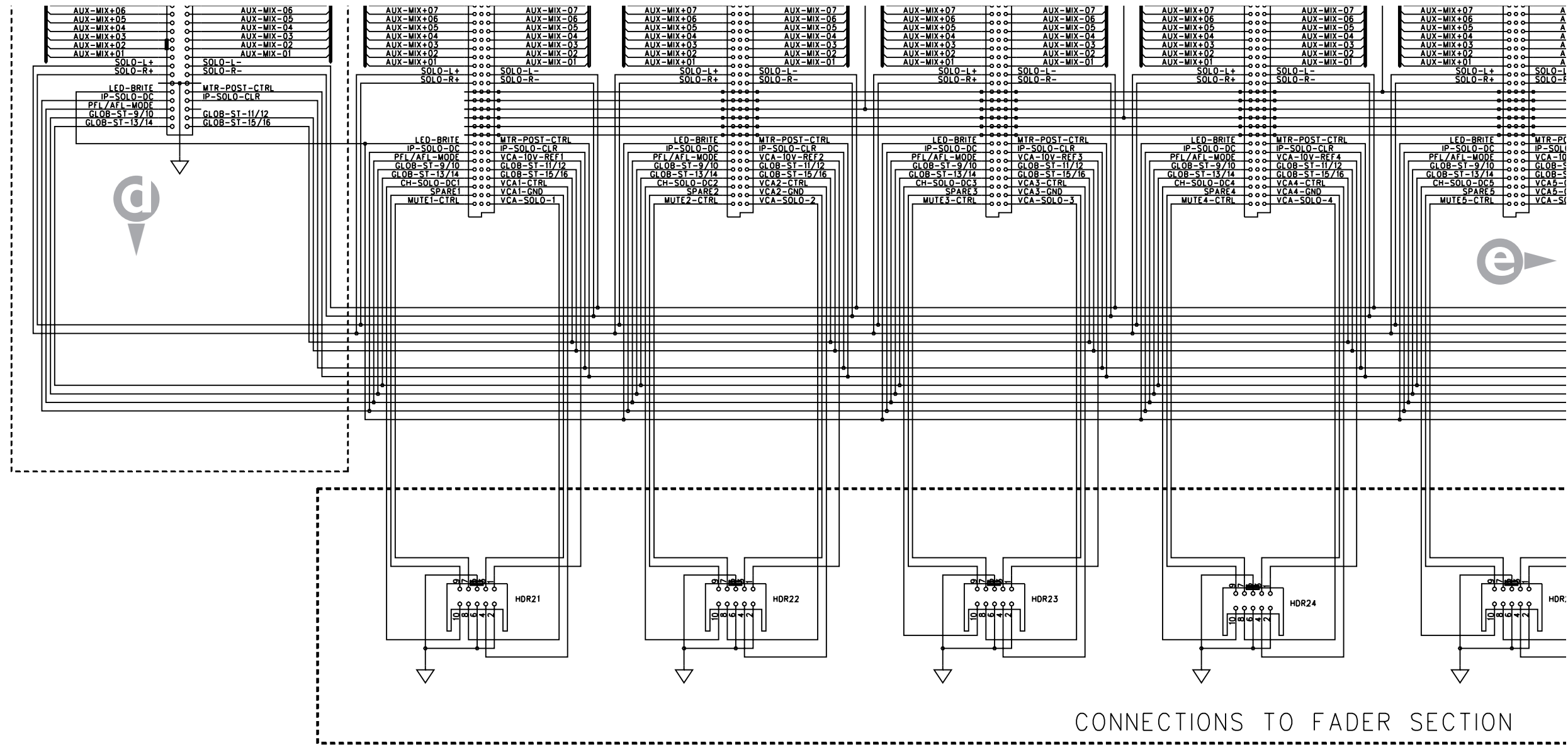
continued on next page



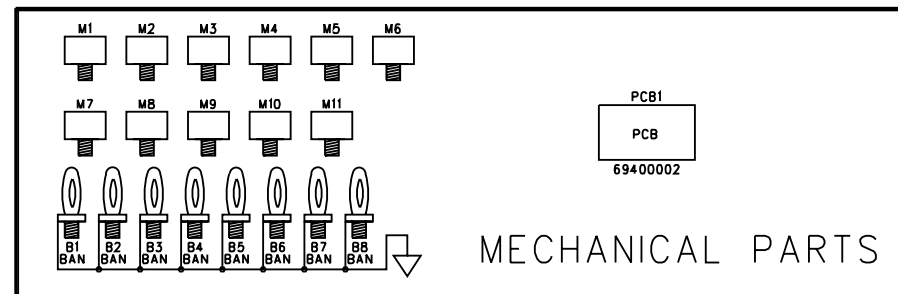
continued from previous page



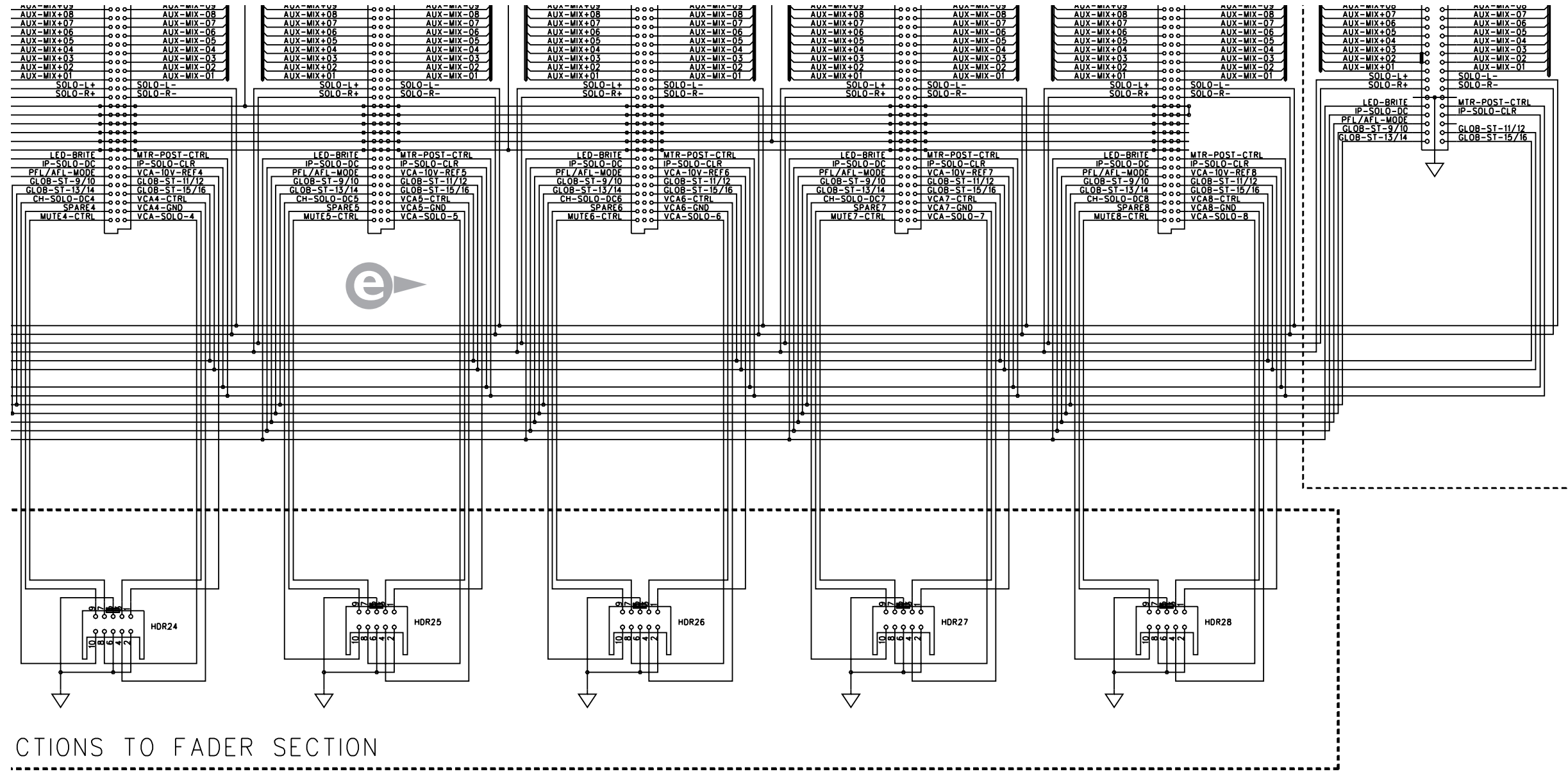
continued from previous page



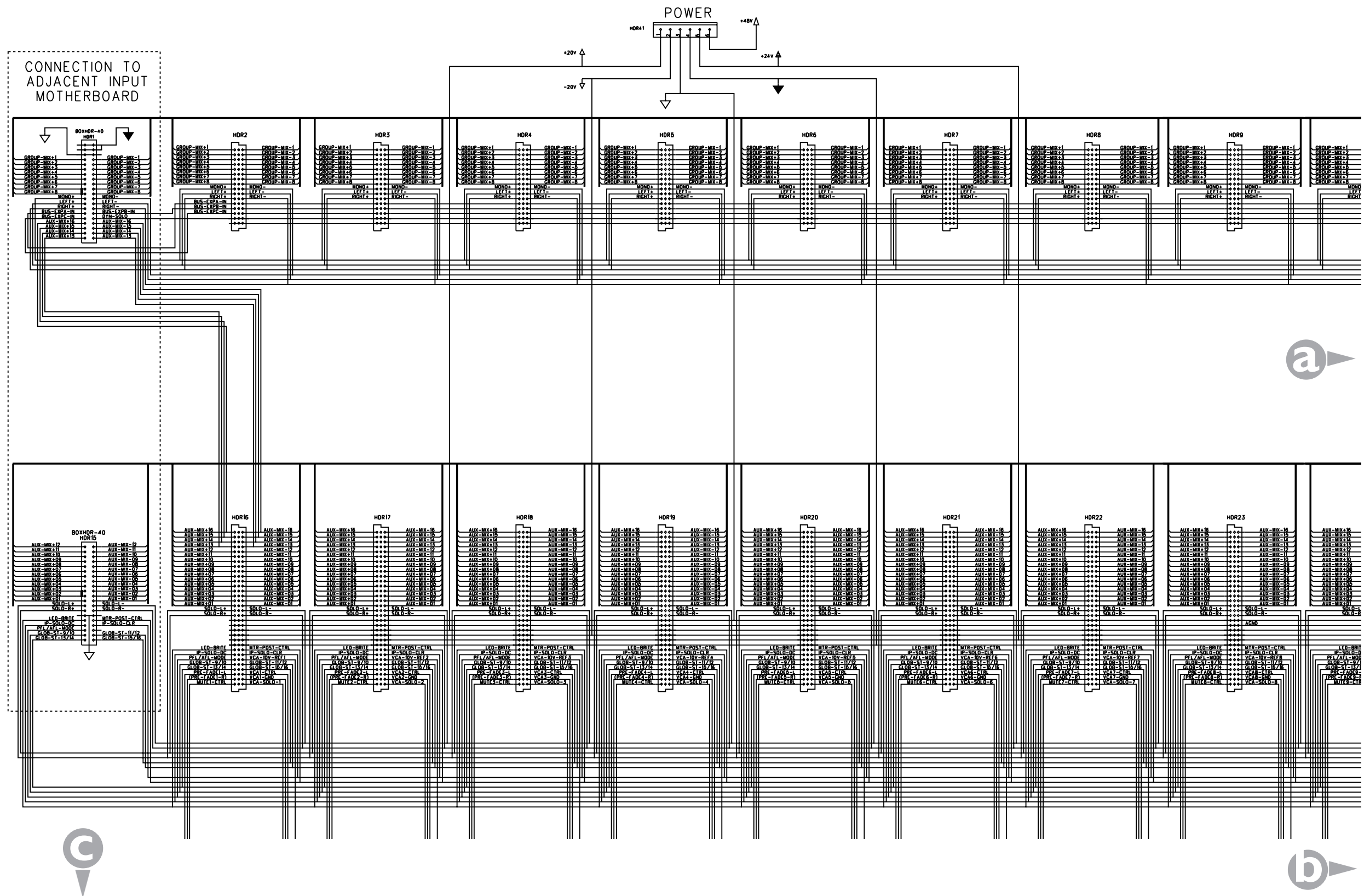
CONNECTIONS TO FADER SECTION



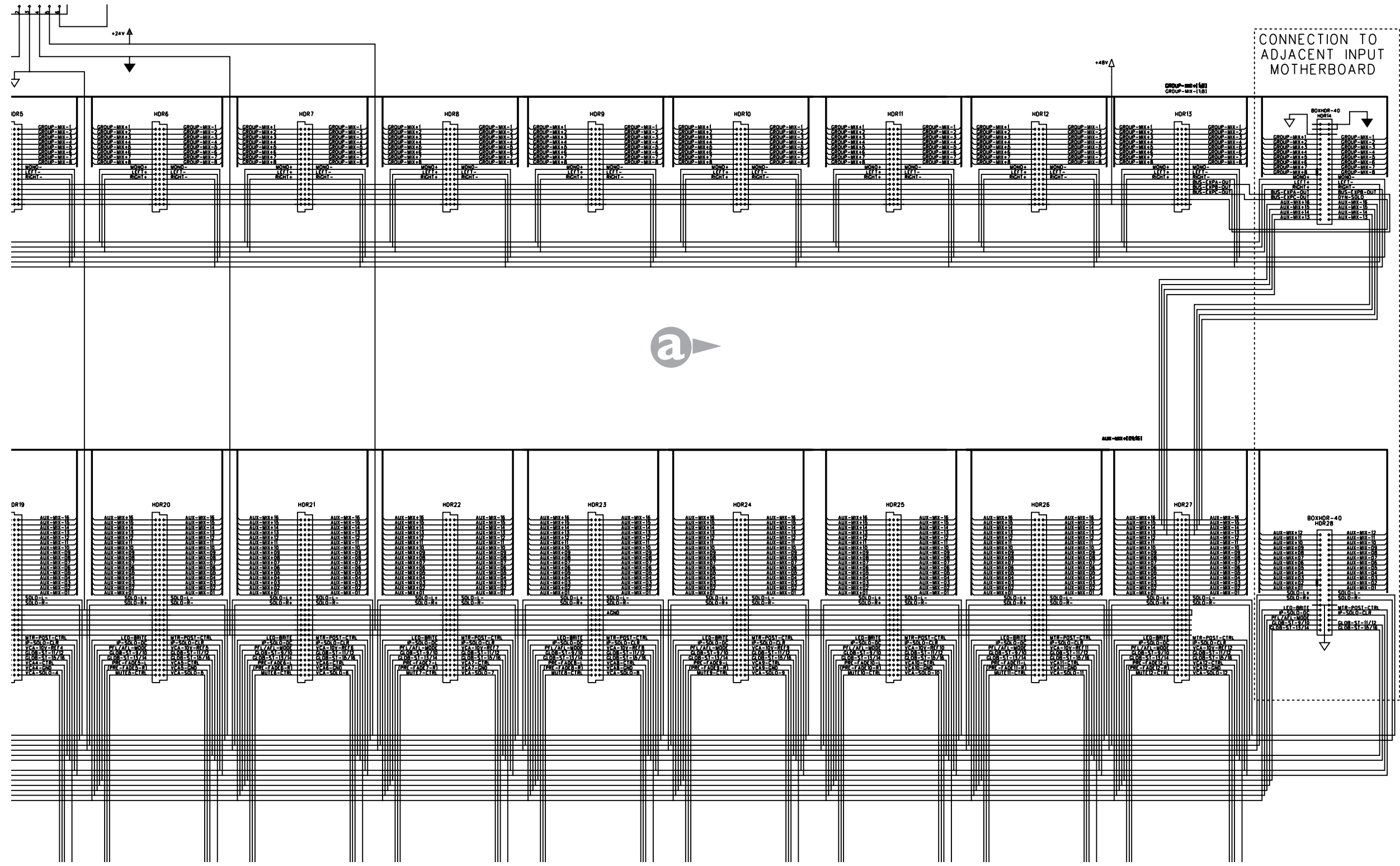
continued from previous page



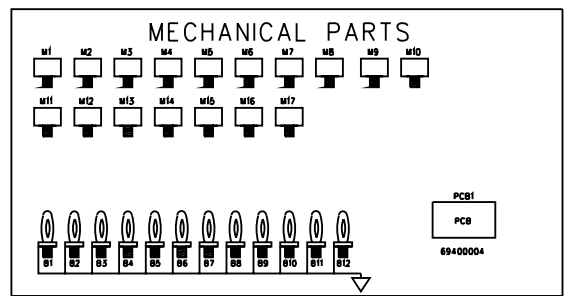
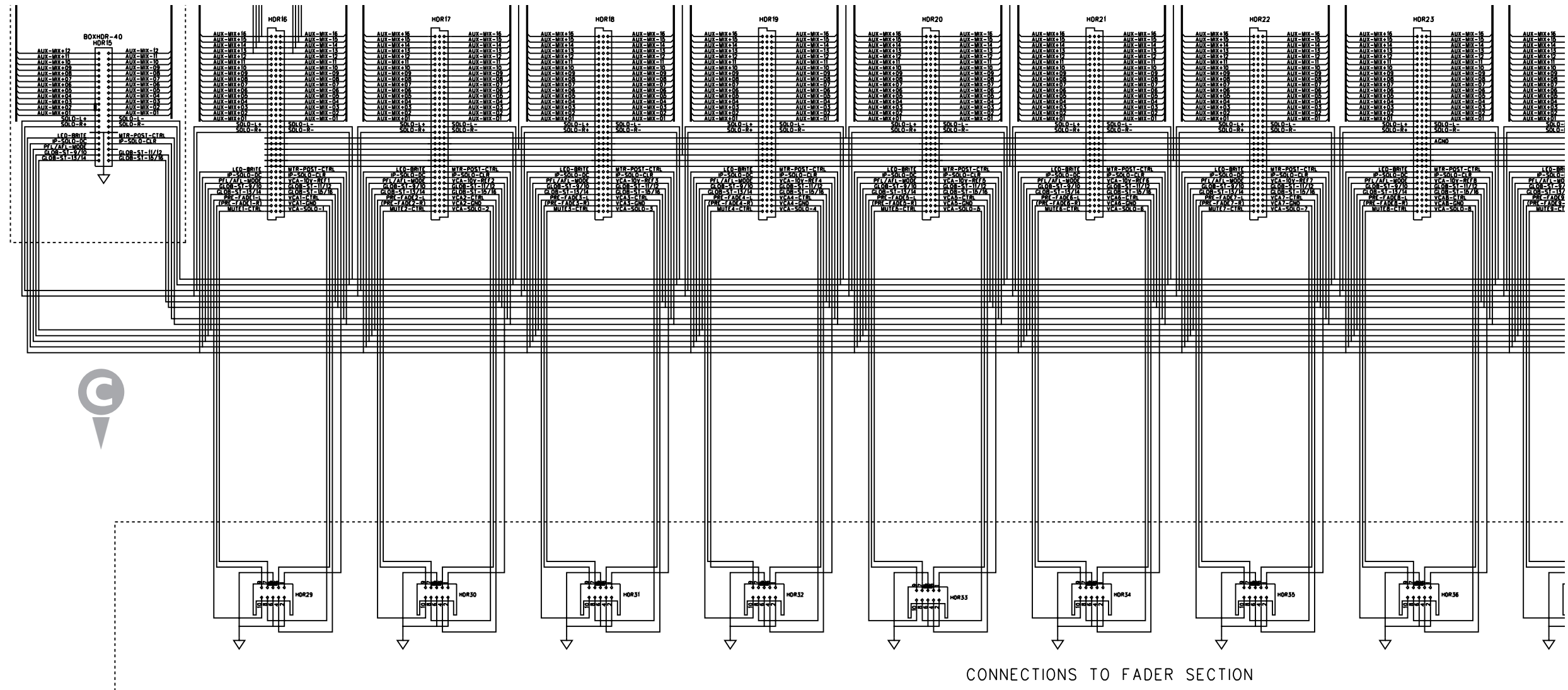
continued on next page



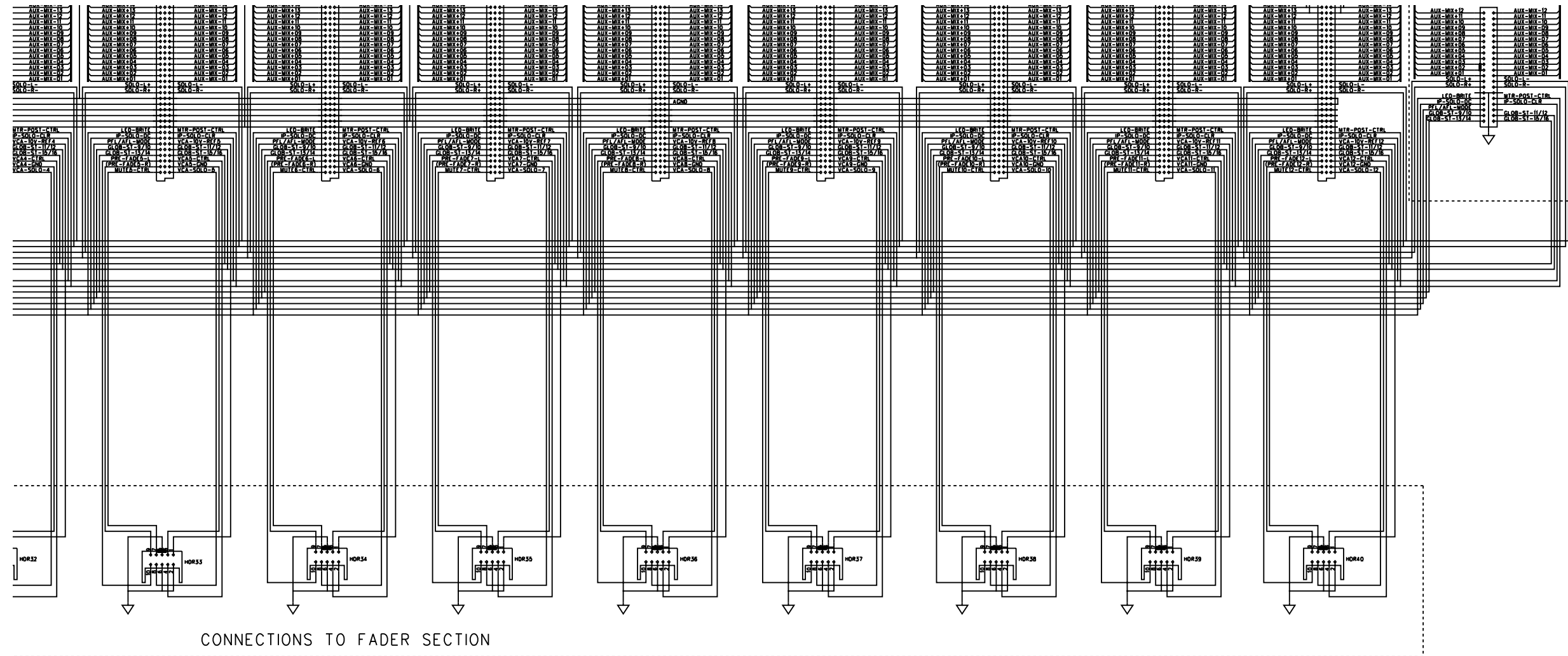
continued from previous page

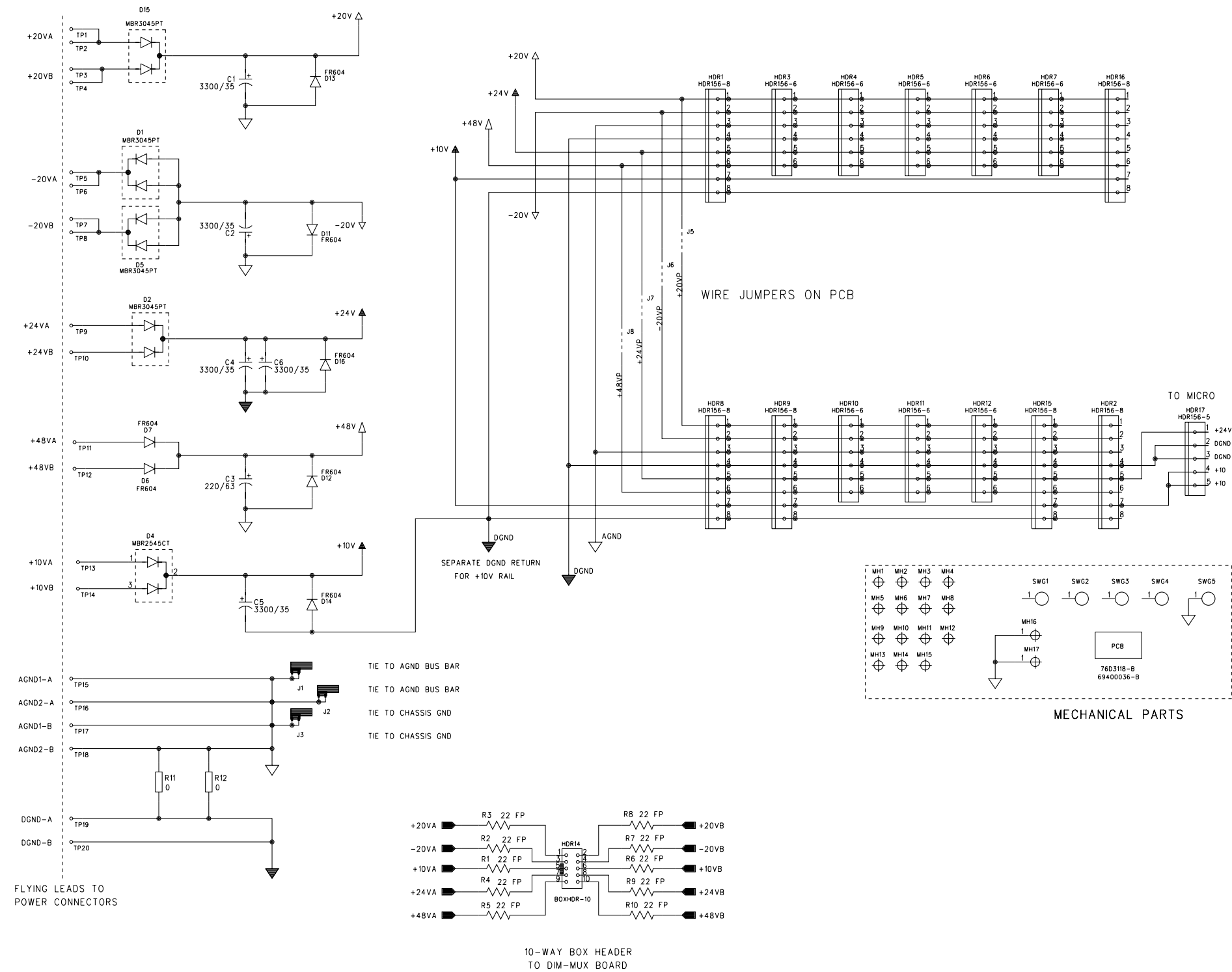


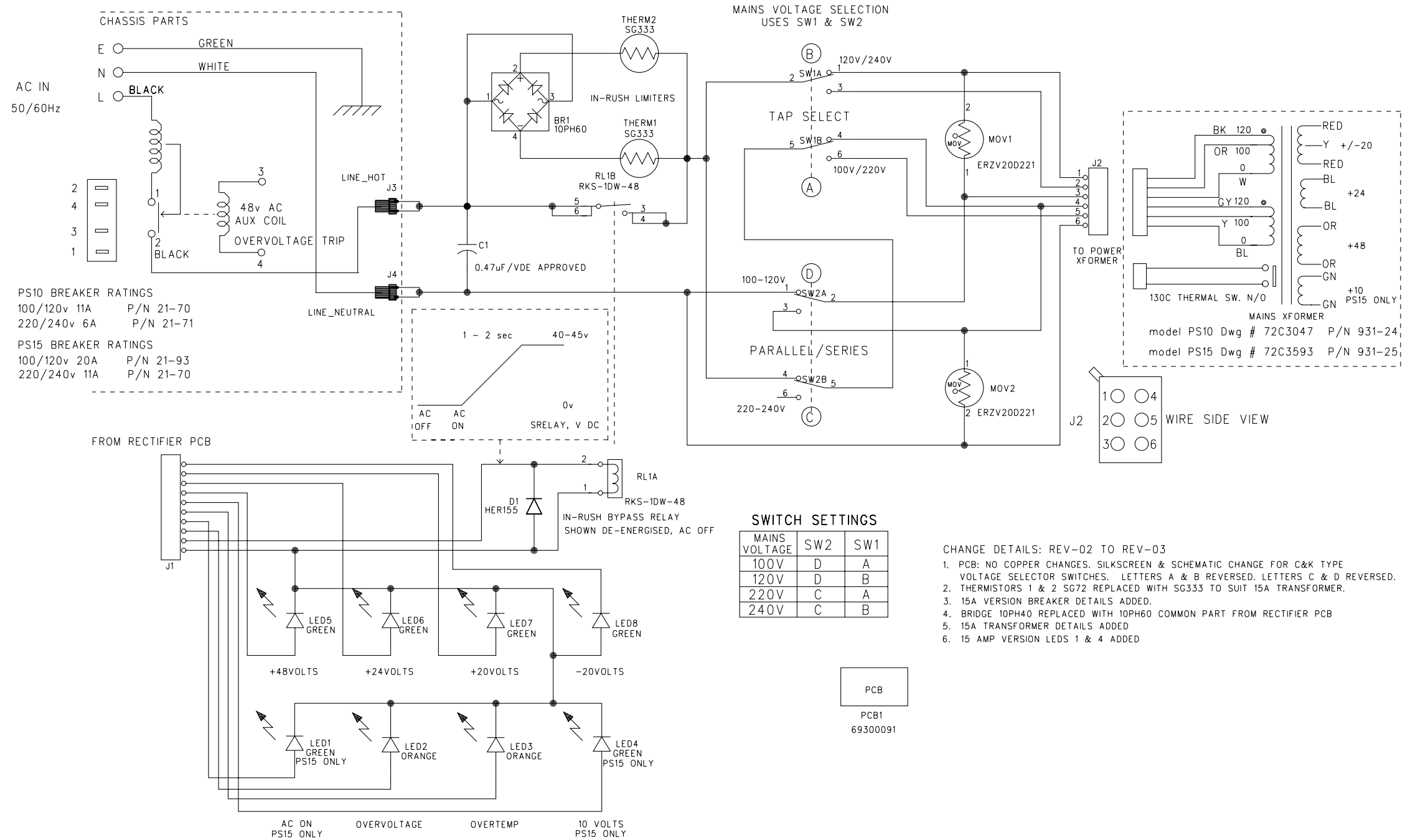
continued from previous page

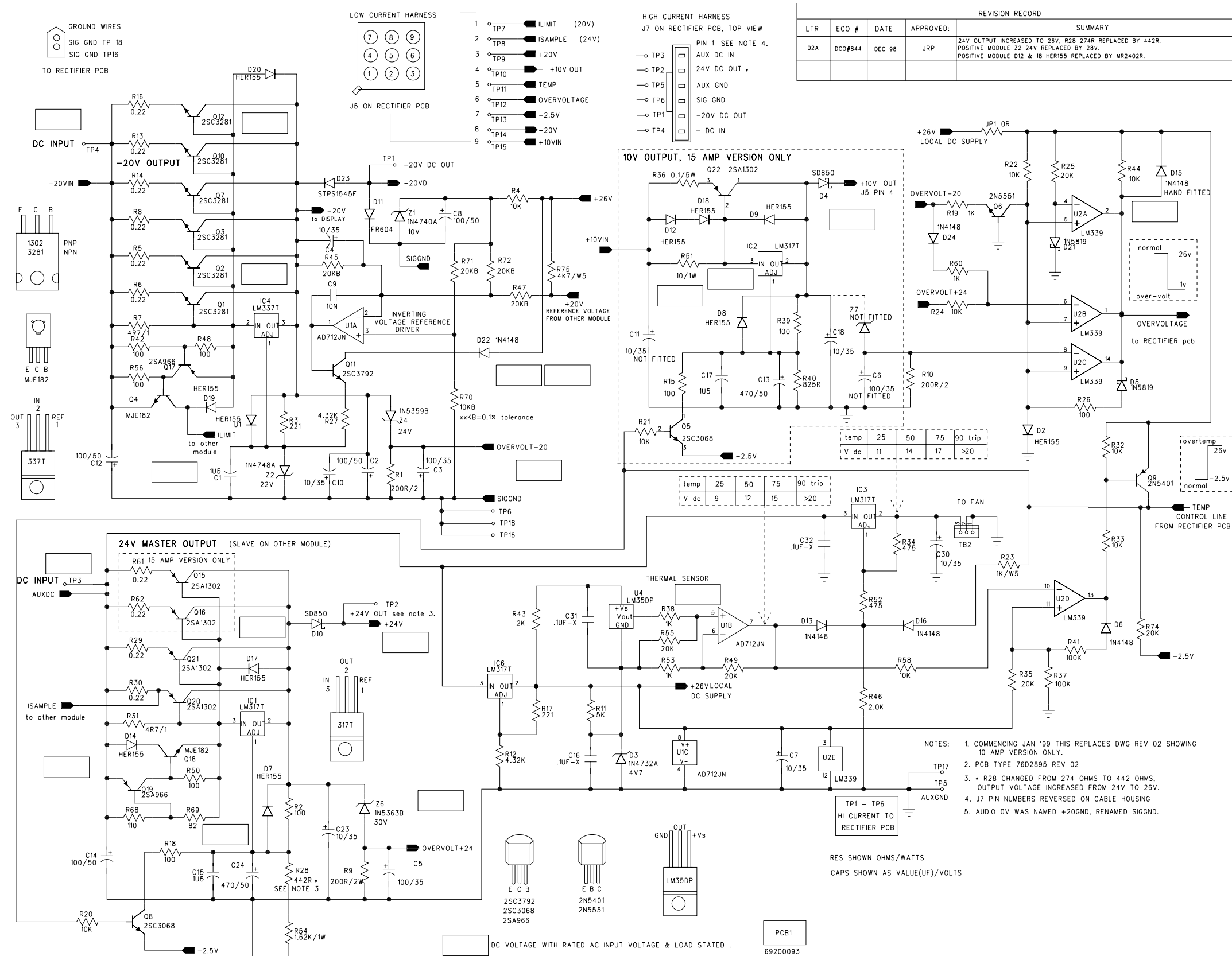


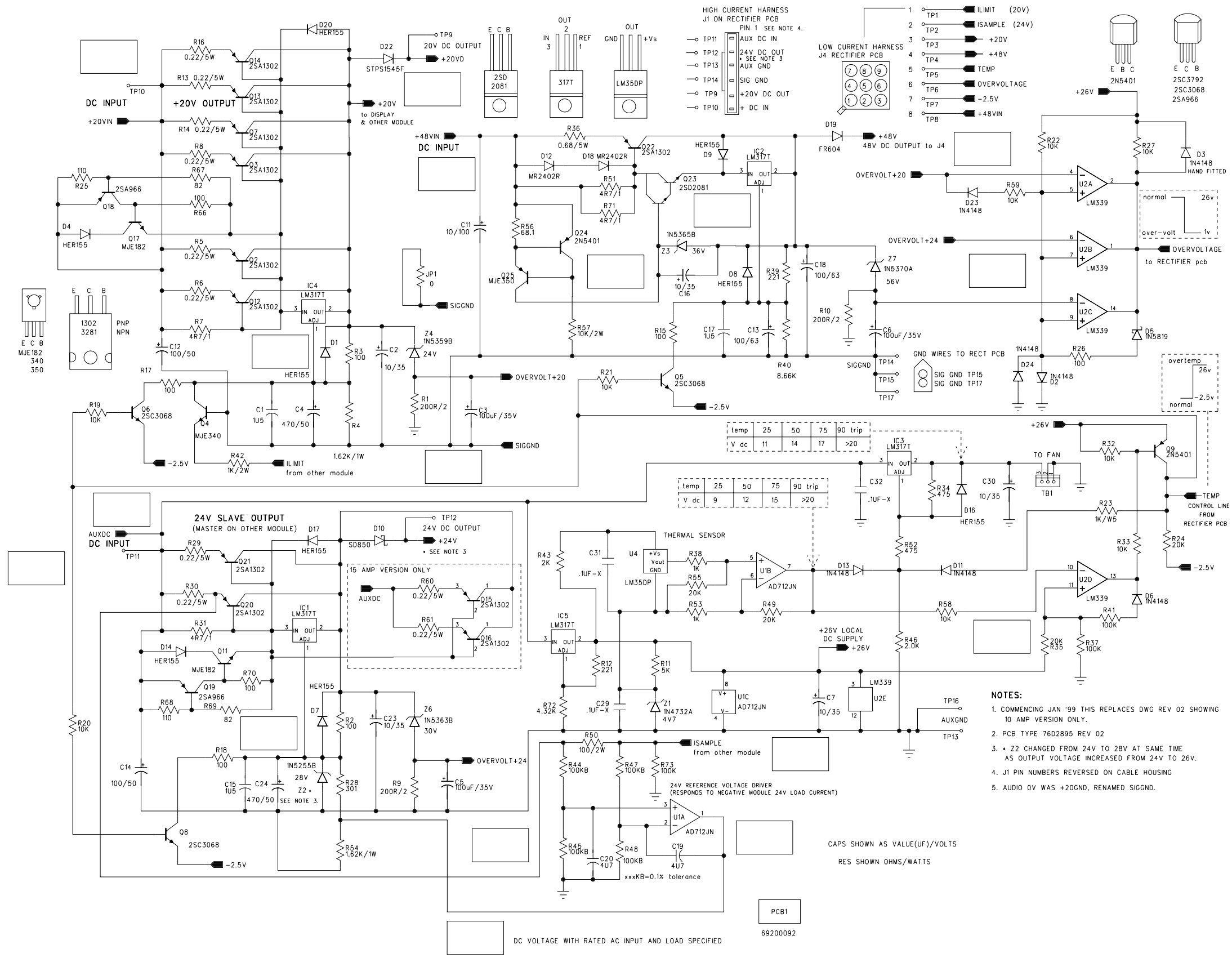
continued from previous page

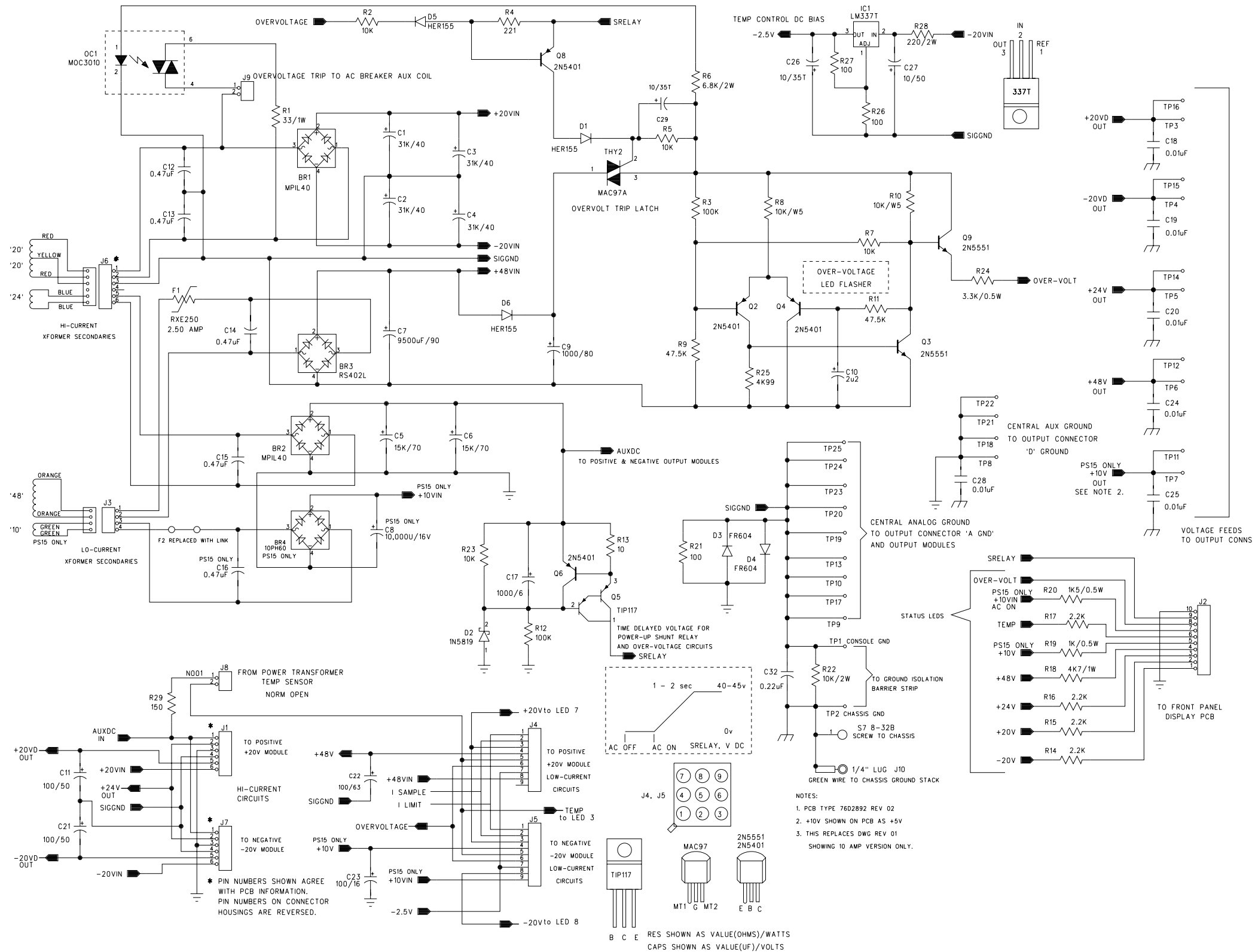














v. 1.0 ED000V12 10/12/99

Crest Audio Inc.
100 Eisenhower Dr., Paramus NJ 07652 USA
TEL: 201.909.8700 FAX: 201.909.8744
www.crestaudio.com