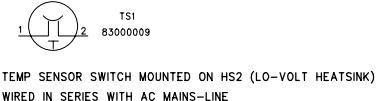
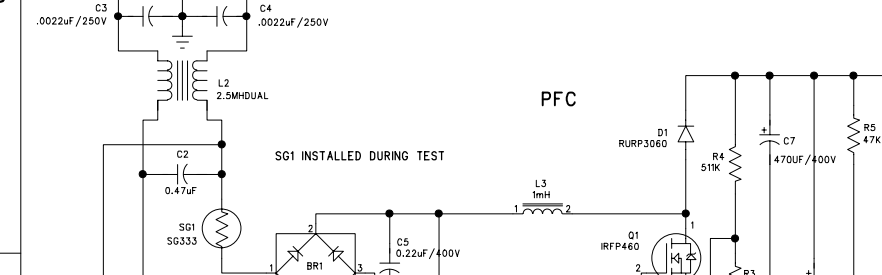


COMMENTS		REVISION RECORD				
ECO NO:	APPROVED:	DATE:	LTR	ECO NO:	APPROVED:	DATE:
RELEASE PCB REV 'D'	D0	DCO-535	R. SULIN	06/07/98		
ADD C80 D36-37 NUT2-5 Q25-28 R85-86 SCR28-32 S09-12 WASH14-17 Z9. CHG C76 R91-92 REG1 DEL B104.	D1	DCO-537	R. SULIN	06/03/98		
CORRECT MISSING CON2 P/N	D2	DCO-547	R. SULIN	06/11/98		
CHG ALL CF RES TO MF TYPE	D3	DCO-605	R. SULIN	06/22/98		
CHG R11, SCR31-34, NUT1-4	D4	DCO-636	R. SULIN	07/08/98		
CHG C6, Z9	D5	DCO-647	R. SULIN	07/17/98		
ADD WASH18-21. CHG SCR27-28.	D6	DCO-671	R. SULIN	07/17/98		
ADD HS4 JP2 NUT6 SCR37 TIE5.	D7	DCO-680	R. SULIN	07/29/98		
CHG WASH1	D8	DCO-692	R. SULIN	08/10/98		

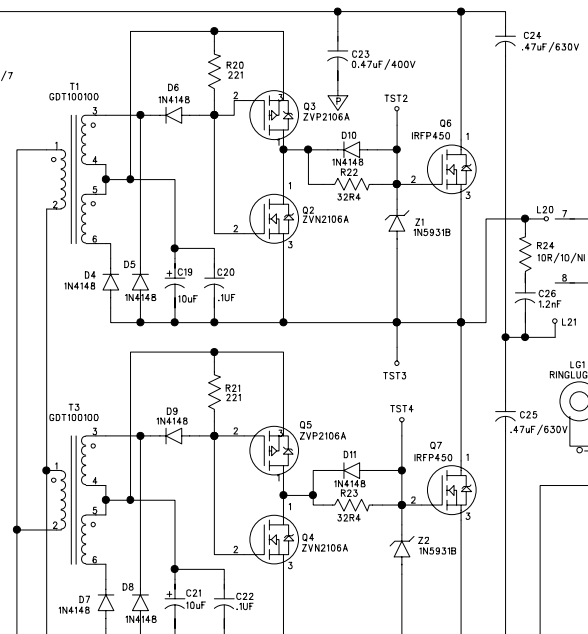
MAINS IN



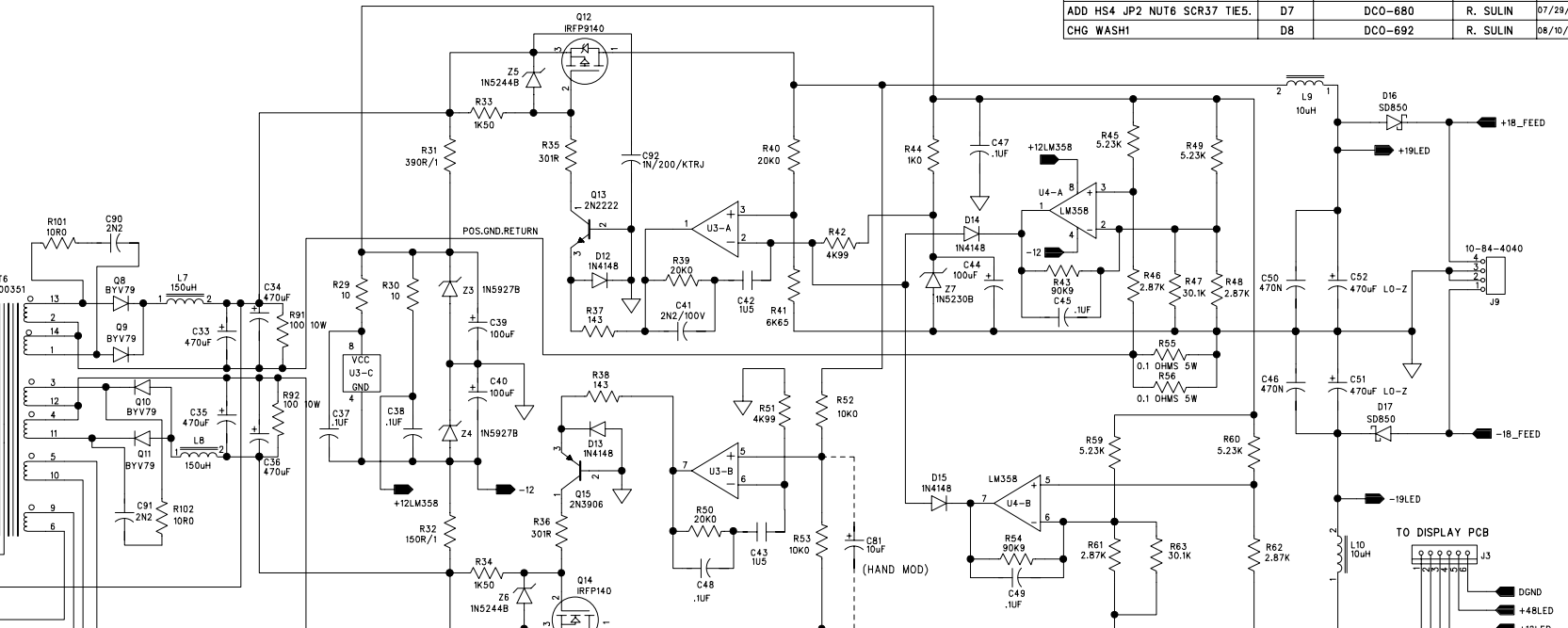
PFC



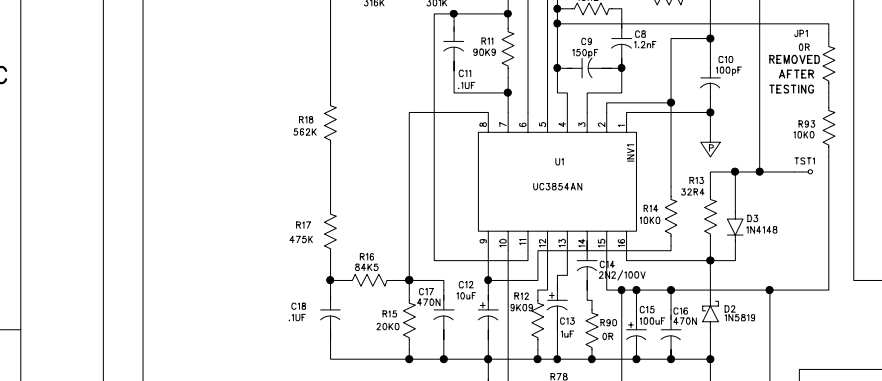
MAIN SMPS



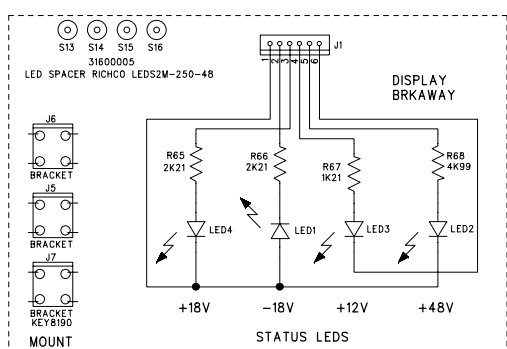
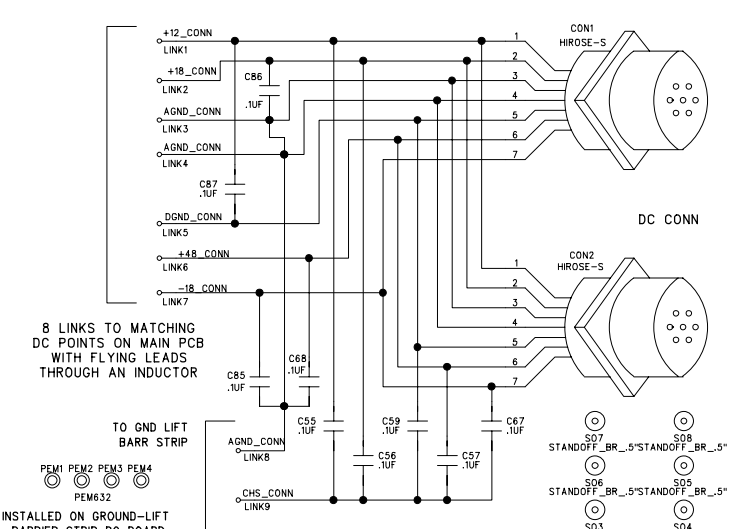
POST REGULATOR



REG



DC CONN



Part	Value	Part	Value
SCR29	SCR30	SCR31	SCR32
SCR33	SCR34	SCR35	SCR36
SCR37	SCR38	SCR39	SCR40
SCR41	SCR42	SCR43	SCR44
SCR45	SCR46	SCR47	SCR48
SCR49	SCR50	SCR51	SCR52
SCR53	SCR54	SCR55	SCR56
SCR57	SCR58	SCR59	SCR60
SCR61	SCR62	SCR63	SCR64
SCR65	SCR66	SCR67	SCR68
SCR69	SCR70	SCR71	SCR72
SCR73	SCR74	SCR75	SCR76
SCR77	SCR78	SCR79	SCR80
SCR81	SCR82	SCR83	SCR84
SCR85	SCR86	SCR87	SCR88
SCR89	SCR90	SCR91	SCR92
SCR93	SCR94	SCR95	SCR96
SCR97	SCR98	SCR99	SCR100

CREST AUDIO

TITLE: X-SERIES CONSOLE POWER SUPPLY FOR PCB REV 'D'

DRAWN: C. SOPPELSA, J. ANDREADIS, R. SULIN

DATED: 02 JUN 98, 10 AUG 98

ITEM MASTER ID: EN-3565-V0, NEXT HIGHEST LEVEL: EN-XP05-V0

SIZE: 71D3565, DRAWING NO: 71D3565, REV: D8

FILE NAME: 3565D-V0.SCH

SCALE: NONE, SHEET: 1 OF 1

All measurements are to chassis ground except.....

[P] = NOT chassis ground, use pin 1 of U1 which is the same point as the P's in the triangles in this schematic

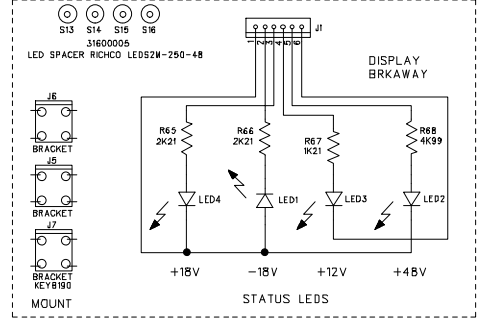
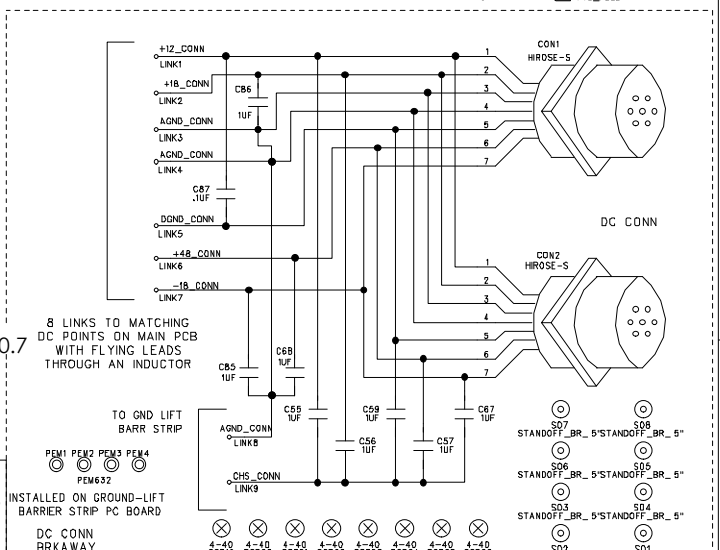
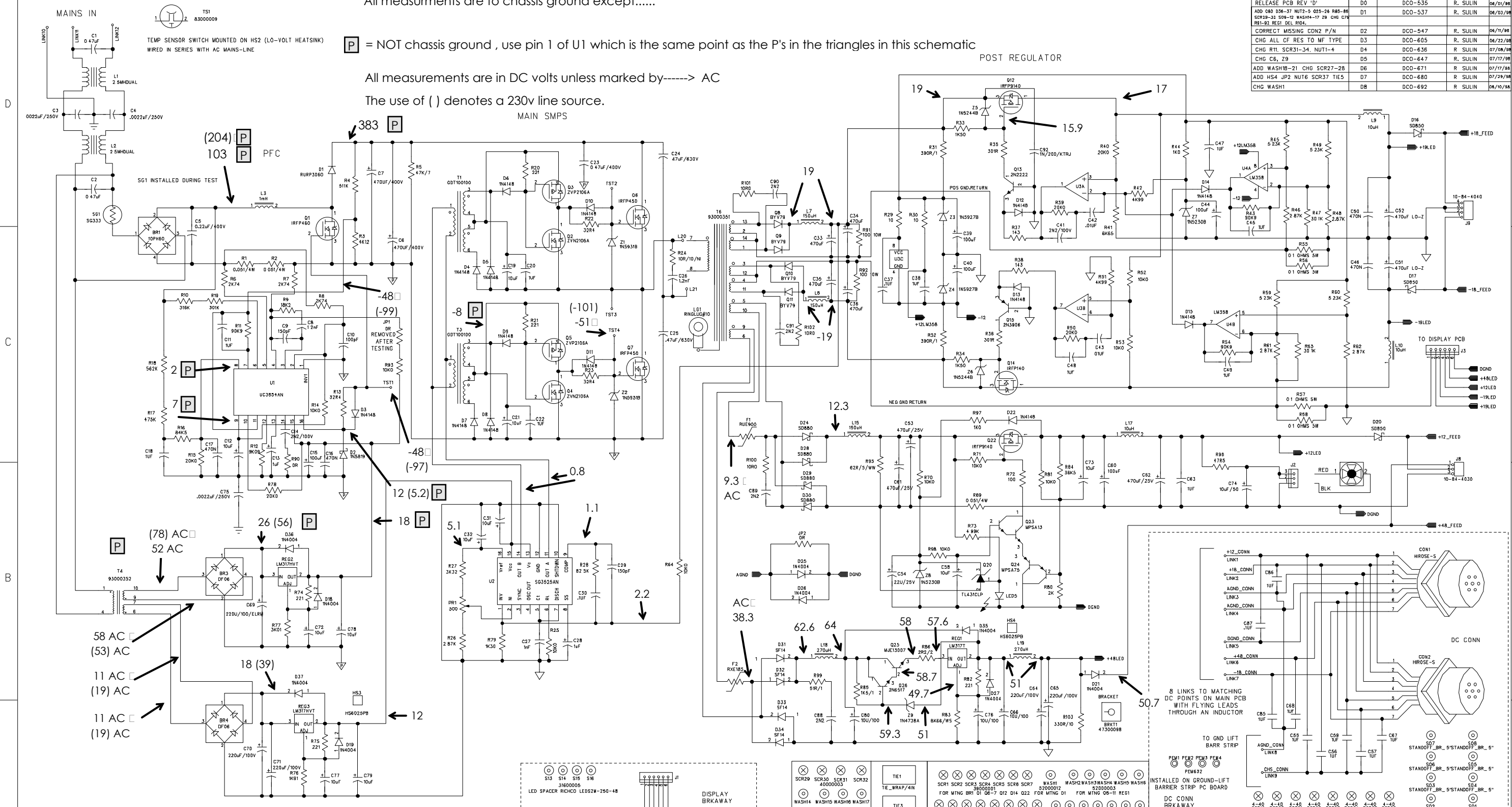
All measurements are in DC volts unless marked by-----> AC

The use of () denotes a 230v line source.

MAIN SMPS

POST REGULATOR

COMMENTS	REVISION	RECORD	LTR	ECO NO	APPROVED	DATE
RELEASE PCB REV 'D'	D0	DCO-535	R. SULIN	06/01/98		
ADD C40 336-37 NUTS-5 025-26 R65-R68	D1	DCO-537	R. SULIN	06/03/98		
SCR29-32 509-12 WASH16-17 28 CHG C76						
R61-62 RES1 DEL D024						
CORRECT MISSING CONZ P/N	D2	DCO-547	R. SULIN	06/11/98		
CHG ALL CF RES TO MF TYPE	D3	DCO-605	R. SULIN	06/22/98		
CHG R11, SCR31-34, NUT1-4	D4	DCO-636	R. SULIN	07/08/98		
CHG C6, Z9	D5	DCO-647	R. SULIN	07/17/98		
ADD WASH16-21 CHG SCR27-28	D6	DCO-671	R. SULIN	07/17/98		
ADD HS4 JP2 NUT6 SCR37 TIE5	D7	DCO-680	R. SULIN	07/17/98		
CHG WASH1	D8	DCO-692	R. SULIN	06/15/98		



Component	Part Number	Notes																																																																					
SCR29	SCR30	SCR31	SCR32	SCR33	SCR34	SCR35	SCR36	SCR37	SCR38	SCR39	SCR40	SCR41	SCR42	SCR43	SCR44	SCR45	SCR46	SCR47	SCR48	SCR49	SCR50	SCR51	SCR52	SCR53	SCR54	SCR55	SCR56	SCR57	SCR58	SCR59	SCR60	SCR61	SCR62	SCR63	SCR64	SCR65	SCR66	SCR67	SCR68	SCR69	SCR70	SCR71	SCR72	SCR73	SCR74	SCR75	SCR76	SCR77	SCR78	SCR79	SCR80	SCR81	SCR82	SCR83	SCR84	SCR85	SCR86	SCR87	SCR88	SCR89	SCR90	SCR91	SCR92	SCR93	SCR94	SCR95	SCR96	SCR97	SCR98	SCR99	SCR100

CREST AUDIO

TITLE: X-SERIES CONSOLE POWER SUPPLY FOR PCB REV 'D'

DRAWN C SOPPELSA
J ANDREADIS

DATED 02 JUN 98
10 AUG 98

ITEM MASTER ID: EN-3565D-V0
NEXT HIGHEST LEVEL: EN-XP505-V0

CODE: 71D3565
DRAWING NO: 3565D-V0.SCH

REV: D8

SCALE: NONE

SHEET 1 OF 1

P#	Location	Value	Description
74000002	JP1	OR	RESISTOR 0 1/4W
74000002	JP2	OR	RESISTOR 0 1/4W
74000002	R90	OR	RESISTOR 0 1/4W
81060005	R1	OR051/4/WW/NI	RESISTOR .051 OHMS 4W NON-IND5%
81060005	R2	OR051/4/WW/NI	RESISTOR .051 OHMS 4W NON-IND5%
81060005	R69	OR051/4/WW/NI	RESISTOR .051 OHMS 4W NON-IND5%
24000246	J8	10-84-4030	CONNECTOR,POWER 3PIN
24000214	J9	10-84-4040	CONNECTOR, PIN - 4 PIN MALEHEADER
14000009	C11	100N/100/KTRJ	CAPACITOR POLYESTER .1UF/100V.3 LS
14000009	C18	100N/100/KTRJ	CAPACITOR POLYESTER .1UF/100V.3 LS
14000009	C20	100N/100/KTRJ	CAPACITOR POLYESTER .1UF/100V.3 LS
14000009	C22	100N/100/KTRJ	CAPACITOR POLYESTER .1UF/100V.3 LS
14000009	C30	100N/100/KTRJ	CAPACITOR POLYESTER .1UF/100V.3 LS
14000009	C37	100N/100/KTRJ	CAPACITOR POLYESTER .1UF/100V.3 LS
14000009	C38	100N/100/KTRJ	CAPACITOR POLYESTER .1UF/100V.3 LS
14000009	C45	100N/100/KTRJ	CAPACITOR POLYESTER .1UF/100V.3 LS
14000009	C47	100N/100/KTRJ	CAPACITOR POLYESTER .1UF/100V.3 LS
14000009	C48	100N/100/KTRJ	CAPACITOR POLYESTER .1UF/100V.3 LS
14000009	C49	100N/100/KTRJ	CAPACITOR POLYESTER .1UF/100V.3 LS
14000009	C63	100N/100/KTRJ	CAPACITOR POLYESTER .1UF/100V.3 LS
16300003	C55	100N/50/CZAM	0.1/50V 20% AXIAL CER CAP-Z5U
16300003	C56	100N/50/CZAM	0.1/50V 20% AXIAL CER CAP-Z5U
16300003	C57	100N/50/CZAM	0.1/50V 20% AXIAL CER CAP-Z5U
16300003	C59	100N/50/CZAM	0.1/50V 20% AXIAL CER CAP-Z5U
16300003	C67	100N/50/CZAM	0.1/50V 20% AXIAL CER CAP-Z5U
16300003	C68	100N/50/CZAM	0.1/50V 20% AXIAL CER CAP-Z5U
16300003	C85	100N/50/CZAM	0.1/50V 20% AXIAL CER CAP-Z5U
16300003	C86	100N/50/CZAM	0.1/50V 20% AXIAL CER CAP-Z5U
16300003	C87	100N/50/CZAM	0.1/50V 20% AXIAL CER CAP-Z5U
16300008	C10	100P/100/CNAJ	CAPACITOR CERAMIC NPO100pF/100V .4LS
73500006	R72	100R0	RESISTOR 100R0 1/4W
79500025	R91	100R/10V	RESISTOR 100 10WNON-INDUCTIVE
79500025	R92	100R/10V	RESISTOR 100 10WNON-INDUCTIVE
12000016	C39	100U/25/ELRM	CAPACITOR,ELECTRO 100uF/25V.1 LS
12000016	C40	100U/25/ELRM	CAPACITOR,ELECTRO 100uF/25V.1 LS
12000016	C44	100U/25/ELRM	CAPACITOR,ELECTRO 100uF/25V.1 LS
12000016	C60	100U/25/ELRM	CAPACITOR,ELECTRO 100uF/25V.1 LS
12000034	C15	100U/50/ELRM	CAPACITOR ELECTRO RADIAL 100uF/50V .2 LS
73500036	R14	10K0	RESISTOR 10.0K 1/4W
73500036	R25	10K0	RESISTOR 10.0K 1/4W
73500036	R52	10K0	RESISTOR 10.0K 1/4W
73500036	R53	10K0	RESISTOR 10.0K 1/4W
73500036	R64	10K0	RESISTOR 10.0K 1/4W
73500036	R70	10K0	RESISTOR 10.0K 1/4W
73500036	R71	10K0	RESISTOR 10.0K 1/4W
73500036	R81	10K0	RESISTOR 10.0K 1/4W
73500036	R93	10K0	RESISTOR 10.0K 1/4W
73500036	R98	10K0	RESISTOR 10.0K 1/4W
70000052	BR1	10PH60	BRIDGE RECTIFIER 10A/600V
73500171	R29	10R0	RESISTOR 10R0 1/4W
73500171	R30	10R0	RESISTOR 10R0 1/4W
73500171	R100	10R0	RESISTOR 10R0 1/4W
73500171	R101	10R0	RESISTOR 10R0 1/4W
73500171	R102	10R0	RESISTOR 10R0 1/4W
79500023	R24	10R/10/NI	RESISTOR 10R/10W 5%NON-INDUCTIVE
12000006	C66	10U/100/ELRM	CAPACITOR ELECTRO 10uF/100.14 LS
12000006	C76	10U/100/ELRM	CAPACITOR ELECTRO 10uF/100.14 LS
12000006	C80	10U/100/ELRM	CAPACITOR ELECTRO 10uF/100.14 LS
12000024	C12	10U/35/ELRM	CAPACITOR ELECTRO 10uF/35V .1LS
12000024	C19	10U/35/ELRM	CAPACITOR ELECTRO 10uF/35V .1LS
12000024	C21	10U/35/ELRM	CAPACITOR ELECTRO 10uF/35V .1LS
12000024	C31	10U/35/ELRM	CAPACITOR ELECTRO 10uF/35V .1LS
12000024	C32	10U/35/ELRM	CAPACITOR ELECTRO 10uF/35V .1LS
12000024	C58	10U/35/ELRM	CAPACITOR ELECTRO 10uF/35V .1LS
12000024	C72	10U/35/ELRM	CAPACITOR ELECTRO 10uF/35V .1LS
12000024	C73	10U/35/ELRM	CAPACITOR ELECTRO 10uF/35V .1LS
12000024	C77	10U/35/ELRM	CAPACITOR ELECTRO 10uF/35V .1LS
12000024	C78	10U/35/ELRM	CAPACITOR ELECTRO 10uF/35V .1LS
12000024	C79	10U/35/ELRM	CAPACITOR ELECTRO 10uF/35V .1LS
12000024	C81	10U/35/ELRM	CAPACITOR ELECTRO 10uF/35V .1LS
12000005	C74	10U/50/ELRM	CAPACITOR,ELECTRO 10UF/50V

73500116	R37	143R	RESISTOR 143 1/4W
73500116	R38	143R	RESISTOR 143 1/4W
16300066	C9	150P/100/CNAJ	CAPACITOR CERAMIC NPO 150pF/100V .4 LS
16300066	C29	150P/100/CNAJ	CAPACITOR CERAMIC NPO 150pF/100V .4 LS
76500006	R32	150R/1	RESISTOR 150 1W
23000115	LINK1	16GA-TERMINAL	PRINTED CIRCUIT BOARDTERMINALS FOR 14-18GA WIRE.
23000115	LINK2	16GA-TERMINAL	PRINTED CIRCUIT BOARDTERMINALS FOR 14-18GA WIRE.
23000115	LINK3	16GA-TERMINAL	PRINTED CIRCUIT BOARDTERMINALS FOR 14-18GA WIRE.
23000115	LINK4	16GA-TERMINAL	PRINTED CIRCUIT BOARDTERMINALS FOR 14-18GA WIRE.
23000115	LINK5	16GA-TERMINAL	PRINTED CIRCUIT BOARDTERMINALS FOR 14-18GA WIRE.
23000115	LINK6	16GA-TERMINAL	PRINTED CIRCUIT BOARDTERMINALS FOR 14-18GA WIRE.
23000115	LINK7	16GA-TERMINAL	PRINTED CIRCUIT BOARDTERMINALS FOR 14-18GA WIRE.
23000115	LINK8	16GA-TERMINAL	PRINTED CIRCUIT BOARDTERMINALS FOR 14-18GA WIRE.
23000115	LINK9	16GA-TERMINAL	PRINTED CIRCUIT BOARDTERMINALS FOR 14-18GA WIRE.
23000115	LINK10	16GA-TERMINAL	PRINTED CIRCUIT BOARDTERMINALS FOR 14-18GA WIRE.
23000115	LINK11	16GA-TERMINAL	PRINTED CIRCUIT BOARDTERMINALS FOR 14-18GA WIRE.
23000115	LINK12	16GA-TERMINAL	PRINTED CIRCUIT BOARDTERMINALS FOR 14-18GA WIRE.
73500125	R9	18K	RESISTOR 18K2 1/4W 1% MF
73500023	R44	1K0	RESISTOR 1.0K 1/4W
73500023	R97	1K0	RESISTOR 1.0K 1/4W
73500085	R67	1K21	RESISTOR 1.21K 1/4W
73500066	R79	1K30	RESISTOR 1.3K0 1/4W
73500100	R33	1K50	RESISTOR 1K50 1/4W
73500100	R34	1K50	RESISTOR 1K50 1/4W
73500308	R76	1K91	RESISTOR 1.91K 1/4W 1%
75500014	R85	1K5/1	RESISTOR 1.5K 1W
27000008	D18	1N4004	DIODE (1A,400V)
27000008	D19	1N4004	DIODE (1A,400V)
27000008	D21	1N4004	DIODE (1A,400V)
27000008	D25	1N4004	DIODE (1A,400V)
27000008	D26	1N4004	DIODE (1A,400V)
27000008	D27	1N4004	DIODE (1A,400V)
27000008	D35	1N4004	DIODE (1A,400V)
27000008	D36	1N4004	DIODE (1A,400V)
27000008	D37	1N4004	DIODE (1A,400V)
27000009	D3	1N4148	DIODE (500mW,100V)
27000009	D4	1N4148	DIODE (500mW,100V)
27000009	D5	1N4148	DIODE (500mW,100V)
27000009	D6	1N4148	DIODE (500mW,100V)
27000009	D7	1N4148	DIODE (500mW,100V)
27000009	D8	1N4148	DIODE (500mW,100V)
27000009	D9	1N4148	DIODE (500mW,100V)
27000009	D10	1N4148	DIODE (500mW,100V)
27000009	D11	1N4148	DIODE (500mW,100V)
27000009	D12	1N4148	DIODE (500mW,100V)
27000009	D13	1N4148	DIODE (500mW,100V)
27000009	D14	1N4148	DIODE (500mW,100V)
27000009	D15	1N4148	DIODE (500mW,100V)
27000009	D22	1N4148	DIODE (500mW,100V)
27000040	D2	1N5819	DIODE SCHOTTKY (1A,40V)
14000074	C92	1N/200/KTRJ	CAPACITOR POLY 1000pF/200V.22LS
16300010	C27	1N/50/CNAJ	CAPACITOR CERAMIC NPO1000pF/50V .4 LS
15000006	C8	1N2/50/KSAK	CAPACITOR POLYSTYRENE1200pF/50V .4LS
17000010	C26	1N2/500/DMRJ	CAPACITOR MICA 1200pF/500V.35 LS
27000094	Z9	1N4738A	DIODE, ZENER (1W,8.2V)
27000066	Z7	1N5230B	DIODE, ZENER (500mW,4.7V)
27000066	Z8	1N5230B	DIODE, ZENER (500mW,4.7V)
27000083	Z5	1N5244B	DIODE, ZENER (500mW,14V)
27000083	Z6	1N5244B	DIODE, ZENER (500mW,14V)
27000070	Z3	1N5927B	DIODE, ZENER (1.5W, 12V)
27000070	Z4	1N5927B	DIODE, ZENER (1.5W, 12V)
27000034	Z1	1N5931B	DIODE, ZENER (1.5W,18V)
27000034	Z2	1N5931B	DIODE, ZENER (1.5W,18V)
12000002	C13	1U/50/ELRM	CAPACITOR ELECTRO 1uF/50V.1LS
12000002	C28	1U/50/ELRM	CAPACITOR ELECTRO 1uF/50V.1LS
18200025	C42	1U5/50/KTRK	1U5/50V 10% POLY CAP- .200 LS
18200025	C43	1U5/50/KTRK	1U5/50V 10% POLY CAP- .200 LS
22000007	L1	2.5MHDUAL	DUAL 2.5mh COM. MODE 5 AMP
22000007	L2	2.5MHDUAL	DUAL 2.5mh COM. MODE 5 AMP
73500039	R15	20K0	RESISTOR 20K 1/4W
73500039	R39	20K0	RESISTOR 20K 1/4W
73500039	R40	20K0	RESISTOR 20K 1/4W
73500039	R50	20K0	RESISTOR 20K 1/4W
73500039	R78	20K0	RESISTOR 20K 1/4W

14000092	C5	220N/400/KTRJ	CAPACITOR METALIZEDPOLYPROPYLENE 0.22uF/400V.886 LS
12000056	C64	220U/100/ELRM	CAPACITOR ELECTRO 220uF/100V.2 LS
12000056	C65	220U/100/ELRM	CAPACITOR ELECTRO 220uF/100V.2 LS
12000056	C69	220U/100/ELRM	CAPACITOR ELECTRO 220uF/100V.2 LS
12000056	C70	220U/100/ELRM	CAPACITOR ELECTRO 220uF/100V.2 LS
12000056	C71	220U/100/ELRM	CAPACITOR ELECTRO 220uF/100V.2 LS
73500011	R20	221R	RESISTOR 221R 1/4W 1% MF
73500011	R21	221R	RESISTOR 221R 1/4W 1% MF
73500011	R74	221R	RESISTOR 221R 1/4W 1% MF
73500011	R75	221R	RESISTOR 221R 1/4W 1% MF
73500011	R82	221R	RESISTOR 221R 1/4W 1% MF
18300018	C54	22U/25/TARM	CAPACITOR TANTALUM 22uF/25V.1 LS
83000009	TS1	2455R	SENSOR TEMPERATURE NC 200 DEGF
73500026	R80	2K0	RESISTOR 2K 1/4W
73500027	R65	2K21	RESISTOR 2.21K 1/4W
73500027	R66	2K21	RESISTOR 2.21K 1/4W
73500128	R6	2K74	RESISTOR 2K74 1/4W
73500128	R7	2K74	RESISTOR 2K74 1/4W
73500128	R8	2K74	RESISTOR 2K74 1/4W
73500086	R26	2K87	RESISTOR 2.87K 1/4W 1%
73500086	R46	2K87	RESISTOR 2.87K 1/4W 1%
73500086	R48	2K87	RESISTOR 2.87K 1/4W 1%
73500086	R61	2K87	RESISTOR 2.87K 1/4W 1%
73500086	R62	2K87	RESISTOR 2.87K 1/4W 1%
94000033	Q13	2N2222	TRANSISTOR NPN
94000141	Q15	2N3906	TRANSISTOR PNP
94000069	Q26	2N6517	TRANSISTOR NPN
14000002	C14	2N2/100/KTRK	CAPACITOR POLYESTER 2N2/100V.12 LS
14000002	C41	2N2/100/KTRK	CAPACITOR POLYESTER 2N2/100V.12 LS
16000010	C88	2N2/1K/CZRZ	CAPACITOR CERAMIC Z5U2N2/1000V .2LS
16000010	C89	2N2/1K/CZRZ	CAPACITOR CERAMIC Z5U2N2/1000V .2LS
16000010	C90	2N2/1K/CZRZ	CAPACITOR CERAMIC Z5U2N2/1000V .2LS
16000010	C91	2N2/1K/CZRZ	CAPACITOR CERAMIC Z5U2N2/1000V .2LS
14000066	C3	2N2/250VAC/KT	R CAPACITOR METALIZED POLYESTERM 0.0022uF/250V .39 LS
14000066	C4	2N2/250VAC/KT	R CAPACITOR METALIZED POLYESTERM 0.0022uF/250V .39 LS
14000066	C75	2N2/250VAC/KT	R CAPACITOR METALIZED POLYESTERM 0.0022uF/250V .39 LS
77000029	R86	2R2/2	RESISTOR 2.2R 2W
73500259	R19	301K	RESISTOR 301K 1/4W
73500013	R35	301R	RESISTOR 301R 1/4W 1% MF
73500013	R36	301R	RESISTOR 301R 1/4W 1% MF
73500095	R47	30K1	RESISTOR 30.1K 1/4W
73500095	R63	30K1	RESISTOR 30.1K 1/4W
73500321	R10	316K	RESISTOR 316K 1/4W
73500089	R13	32R4	RESISTOR 32R4 1/4W
73500089	R22	32R4	RESISTOR 32R4 1/4W
73500089	R23	32R4	RESISTOR 32R4 1/4W
79500014	R103	330R/10	RESISTOR 330R 10W
73500076	R84	36K5	RESISTOR 36.5K 1/4W
76500020	R31	390R/1	RESISTOR 10 1W MO
73500029	R77	3K01	RESISTOR 3.01K 1/4W
73500058	R27	3K32	RESISTOR 3.32K 1/4W
35000007	SCR19	4-40	SCR PSM P U440 05 ST CZ MACH
35000007	SCR20	4-40	SCR PSM P U440 05 ST CZ MACH
35000007	SCR21	4-40	SCR PSM P U440 05 ST CZ MACH
35000007	SCR22	4-40	SCR PSM P U440 05 ST CZ MACH
35000007	SCR23	4-40	SCR PSM P U440 05 ST CZ MACH
35000007	SCR24	4-40	SCR PSM P U440 05 ST CZ MACH
35000007	SCR25	4-40	SCR PSM P U440 05 ST CZ MACH
35000007	SCR26	4-40	SCR PSM P U440 05 ST CZ MACH
14000078	C1	470N/250VAC/K	T CAPACITOR METALIZED POLYESTER RK 0.47uF/250VAC 1.08LS
14000078	C2	470N/250VAC/K	T CAPACITOR METALIZED POLYESTER RK 0.47uF/250VAC 1.08LS
14000093	C23	470N/400/KTRJ	CAPACITOR METALIZED POLYPROPYLENE 0.47uF/400V .08 LS
18200013	C16	470N/63/KTRK	CAPACITOR METALLIZEDPOLYESTER 0.47uF/63V 0.2LS
18200013	C17	470N/63/KTRK	CAPACITOR METALLIZEDPOLYESTER 0.47uF/63V 0.2LS
18200013	C46	470N/63/KTRK	CAPACITOR METALLIZEDPOLYESTER 0.47uF/63V 0.2LS
18200013	C50	470N/63/KTRK	CAPACITOR METALLIZEDPOLYESTER 0.47uF/63V 0.2LS
14000094	C24	470N/630/KP	CAPACITOR POLYESTER.47uF/630V
14000094	C25	470N/630/KP	CAPACITOR POLYESTER.47uF/630V
12000001	C53	470U/25/ELRM	CAPACITOR,ELECTRO 470uF/25V.2 LS
12000001	C61	470U/25/ELRM	CAPACITOR,ELECTRO 470uF/25V.2 LS
12000001	C62	470U/25/ELRM	CAPACITOR,ELECTRO 470uF/25V.2 LS
12000075	C51	470U/35/ELRM	CAPACITOR ELECTRO 470uF/30V.2LS LOW-Z
12000075	C52	470U/35/ELRM	CAPACITOR ELECTRO 470uF/30V.2LS LOW-Z
12000083	C6	470U/400/ELRM	CAPACITOR ELECTRO 470UF/400V.394 LS

12000083	C7	470U/400/ELRM	CAPACITOR ELECTRO 470UF/400V.394 LS
12000032	C33	470U/50/ELRM	CAPACITOR ELECTRO 470uF/50V.2LS
12000032	C34	470U/50/ELRM	CAPACITOR ELECTRO 470uF/50V.2LS
12000032	C35	470U/50/ELRM	CAPACITOR ELECTRO 470uF/50V.2LS
12000032	C36	470U/50/ELRM	CAPACITOR ELECTRO 470uF/50V.2LS
73500187	R17	475K	RESISTOR 475K 1/4W
78200016	R5	47K/7	RESISTOR 47K 7W RAD
73500177	R96	47R5	RESISTOR 47.5 1/4W
73500229	R3	4K12	RESISTOR 4.12K 1/4W
73500082	R42	4K99	RESISTOR 4.99K 1/4W
73500082	R51	4K99	RESISTOR 4.99K 1/4W
73500082	R68	4K99	RESISTOR 4.99K 1/4W
73500082	R73	4K99	RESISTOR 4.99K 1/4W
73500190	R4	511K	RESISTOR 511K 1/4W
76500004	R99	51R/1	RESISTOR 51R 1W
73500051	R18	562K	RESISTOR 562K 1/4W
22250020	L18	5900-271	FERRITE IND 270uH 1.6A
22250020	L19	5900-271	FERRITE IND 270uH 1.6A
73500323	R45	5K23	RESISTOR 5.23K 1/4W
73500323	R49	5K23	RESISTOR 5.23K 1/4W
73500323	R59	5K23	RESISTOR 5.23K 1/4W
73500323	R60	5K23	RESISTOR 5.23K 1/4W
77500019	R95	62R/5/WW	RESISTOR 62 5W
73500094	R41	6K65	RESISTOR 6.65K 1/4W
73500274	R28	82K5	RESISTOR 82K5 1/4W
73500074	R16	84K5	RESISTOR 84K5 1/4W
74500004	R83	8K66/W5	RESISTOR 8.66K W5
73500046	R11	90K9	RESISTOR 90.9K 1/4W
73500046	R43	90K9	RESISTOR 90.9K 1/4W
73500046	R54	90K9	RESISTOR 90.9K 1/4W
73500304	R12	9K09	RESISTOR 9.09K 1/4W
70000004	Q8	BYV79	RECTIFIER (14A)
70000004	Q9	BYV79	RECTIFIER (14A)
70000004	Q10	BYV79	RECTIFIER (14A)
70000004	Q11	BYV79	RECTIFIER (14A)
70000051	BR3	DF06	RECTIFIERS, BRIDGE (1A, 600V)
70000051	BR4	DF06	RECTIFIERS, BRIDGE (1A, 600V)
93000349	T1	GDT100100	TRANS - GATE DRIVE
93000349	T3	GDT100100	TRANS - GATE DRIVE
24000165	J2	HDR100L-3X1	3 PIN LOCKING .1 MALEHDR-GOLD
24000522	J1	HDR100L-6X1	6 PIN LOCKING .1 MALEHDR-GOLD
24000522	J3	HDR100L-6X1	6 PIN LOCKING .1 MALEHDR-GOLD
54000060	HS1	HEATSINK_CKS2	HEATSINK HI-VOLT SIDE27B3800-A
54000061	HS2	HEATSINK_CKS2	HEATSINK LOW-VOLT SIDE27B3801-A
23000120	CON1	HIROSE-S	HIROSE SOCKET-TYPE PCB MNT
23000120	CON2	HIROSE-S	HIROSE SOCKET-TYPE PCB MNT
53000003	HS3	HS6025PB	HEAT SINK, PCB MOUNT, TO220
53000003	HS4	HS6025PB	HEAT SINK, PCB MOUNT, TO220
22000010	L9	INDPWR\10UH	10uH 7 ampere rod powerinductor
22000010	L10	INDPWR\10UH	10uH 7 ampere rod powerinductor
22000010	L17	INDPWR\10UH	10uH 7 ampere rod powerinductor
22000009	L3	INDPWR\1MH	1mH toroidal power inductor
22000008	L7	INDPWR\250UH	150uH 7 ampere toroidal powerinductor
22000008	L8	INDPWR\250UH	150uH 7 ampere toroidal powerinductor
22000008	L15	INDPWR\250UH	150uH 7 ampere toroidal powerinductor
55000019	INS1	INSULATOR_BUS	S INSULATOR MICA TO-220
55000019	INS2	INSULATOR_BUS	S INSULATOR MICA TO-220
55000019	INS3	INSULATOR_BUS	S INSULATOR MICA TO-220
55000019	INS4	INSULATOR_BUS	S INSULATOR MICA TO-220
55000019	INS5	INSULATOR_BUS	S INSULATOR MICA TO-220
55000020	INS6	INSULATOR_BUS	S INSULATOR MICA TO-3P/TO-247
55000020	INS7	INSULATOR_BUS	S INSULATOR MICA TO-3P/TO-247
55000020	INS8	INSULATOR_BUS	S INSULATOR MICA TO-3P/TO-247
55000052	INS9	INSULATOR_BUS	S INSULATOR CERAMIC TO-220
55000053	INS10	INSULATOR_BUS	S INSULATOR CERAMIC TO-247
55000053	INS11	INSULATOR_BUS	S INSULATOR CERAMIC TO-247
55000053	INS12	INSULATOR_BUS	S INSULATOR CERAMIC TO-247
56000128	INS13	INSULATOR_BUS	S INSULATOR 23B3798-A
56000128	INS14	INSULATOR_BUS	S INSULATOR 23B3798-A
94500009	Q14	IRFP140	MOSFET N-CHANNEL
94500004	Q6	IRFP450	N-CH MOSFET
94500004	Q7	IRFP450	N-CH MOSFET
94500012	Q1	IRFP460	N-CH MOSFET
94500008	Q12	IRFP9140	MOSFET P-CHANNEL

94500008	Q22	IRFP9140	MOSFET P-CHANNEL
47300098	BRKT1	KEY0000	BRACKET KEYSTONE #8190 PCMOUNT
47300090	J5	KEY8190	PC MOUNT BRACKET #6-32
47300090	J6	KEY8190	PC MOUNT BRACKET #6-32
47300090	J7	KEY8190	PC MOUNT BRACKET #6-32
60000008	LED1	LED/GD	LED GREEN
60000008	LED2	LED/GD	LED GREEN
60000008	LED3	LED/GD	LED GREEN
60000008	LED4	LED/GD	LED GREEN
60000008	LED5	LED/GD	LED GREEN
57000106	U4	LM358	IC LOW POWER DUAL OP-AMP
71000029	REG2	LM317HVT	REGULATOR POS VOLT REG.ADJ1.2-57V
71000029	REG3	LM317HVT	REGULATOR POS VOLT REG.ADJ1.2-57V
71000019	REG1	LM317T	IC,REG POS VOLT ADJ 2-30V
94000063	Q25	MJE13007	TRANSISTOR NPN
94000023	Q23	MPSA13	TRANSISTOR NPN DARL.
94000024	Q24	MPSA75	TRANSISTOR PNP DARL
44000001	NUT1	NUT_4-40_KEP	NUT, KEP, 4-40 ZINC
44000001	NUT6	NUT_4-40_KEP	NUT, KEP, 4-40 ZINC
57000097	U3	OP275	IC DUAL OPAMP
69700030	PCB1	PCB	PCB 26D3565-D X8 PSD
45000001	PEM1	PEM632	PEM NUT
45000001	PEM2	PEM632	PEM NUT
45000001	PEM3	PEM632	PEM NUT
45000001	PEM4	PEM632	PEM NUT
68000097	PR1	PTC10LV500A	RESISTOR,VARIABLE, CERMET
77500036	R55	R1/5	RESISTOR .1 OHM 5W
77500036	R56	R1/5	RESISTOR .1 OHM 5W
77500036	R57	R1/5	RESISTOR .1 OHM 5W
77500036	R58	R1/5	RESISTOR .1 OHM 5W
61000035	LG1	RINGLUG#10	CONNECTOR #10 RING LUG INSUL14-16 GA.
81100020	F1	RUE900	POLYSWITCH RUE R-LINE PTC
27000111	D1	RURP3060	DIODE HS (30AMP 600V)
81100019	F2	RXE185	POLYSWITCH RXE R-LINE PTC
39000001	SCR1	SCRS4-40X1/2	SCREW, 4-40 X 1/2, CAP, BLK
39000001	SCR2	SCRS4-40X1/2	SCREW, 4-40 X 1/2, CAP, BLK
39000001	SCR3	SCRS4-40X1/2	SCREW, 4-40 X 1/2, CAP, BLK
39000001	SCR4	SCRS4-40X1/2	SCREW, 4-40 X 1/2, CAP, BLK
39000001	SCR5	SCRS4-40X1/2	SCREW, 4-40 X 1/2, CAP, BLK
39000001	SCR6	SCRS4-40X1/2	SCREW, 4-40 X 1/2, CAP, BLK
39000001	SCR7	SCRS4-40X1/2	SCREW, 4-40 X 1/2, CAP, BLK
43610002	SCR8	SCRS4-40X1/2	SCR PAN P U440 05 SS XX MACH
43610002	SCR9	SCRS4-40X1/2	SCR PAN P U440 05 SS XX MACH
43610002	SCR10	SCRS4-40X1/2	SCR PAN P U440 05 SS XX MACH
43610002	SCR11	SCRS4-40X1/2	SCR PAN P U440 05 SS XX MACH
43610002	SCR12	SCRS4-40X1/2	SCR PAN P U440 05 SS XX MACH
43610002	SCR13	SCRS4-40X1/2	SCR PAN P U440 05 SS XX MACH
43610002	SCR14	SCRS4-40X1/2	SCR PAN P U440 05 SS XX MACH
43610002	SCR37	SCRS4-40X1/2	SCR PAN P U440 05 SS XX MACH
40000003	SCR29	SCRS6-32X1-1/	4 SCR PAN P U632 20 ST CZ MACH
40000003	SCR30	SCRS6-32X1-1/	4 SCR PAN P U632 20 ST CZ MACH
40000003	SCR31	SCRS6-32X1-1/	4 SCR PAN P U632 20 ST CZ MACH
40000003	SCR32	SCRS6-32X1-1/	4 SCR PAN P U632 20 ST CZ MACH
35000002	SCR27	SCRS6-32X5/16	SCREW, 6-32 X 5/16 ST SEMSPAN HD PHIL BLK ZINC
35000002	SCR28	SCRS6-32X5/16	SCREW, 6-32 X 5/16 ST SEMSPAN HD PHIL BLK ZINC
35000002	SCR33	SCRS6-32X5/16	SCREW, 6-32 X 5/16 ST SEMSPAN HD PHIL BLK ZINC
35000002	SCR34	SCRS6-32X5/16	SCREW, 6-32 X 5/16 ST SEMSPAN HD PHIL BLK ZINC
35000002	SCR35	SCRS6-32X5/16	SCREW, 6-32 X 5/16 ST SEMSPAN HD PHIL BLK ZINC
35000002	SCR36	SCRS6-32X5/16	SCREW, 6-32 X 5/16 ST SEMSPAN HD PHIL BLK ZINC
43000067	SCR15	SCRS_8X3/8	SCR HW X FT08 06 ST CZ TFTB
43000067	SCR16	SCRS_8X3/8	SCR HW X FT08 06 ST CZ TFTB
43000067	SCR17	SCRS_8X3/8	SCR HW X FT08 06 ST CZ TFTB
43000067	SCR18	SCRS_8X3/8	SCR HW X FT08 06 ST CZ TFTB
27000103	D16	SD850	DIODE SCHOTTKY 8A 50PIV
27000103	D17	SD850	DIODE SCHOTTKY 8A 50PIV
27000103	D20	SD850	DIODE SCHOTTKY 8A 50PIV
27000115	D24	SD880	DIODE SCHOTTKY 8A 80PIV
27000115	D28	SD880	DIODE SCHOTTKY 8A 80PIV
27000115	D29	SD880	DIODE SCHOTTKY 8A 80PIV
27000115	D30	SD880	DIODE SCHOTTKY 8A 80PIV
70000011	D31	SF14	RECTIFIER (1A)
70000011	D32	SF14	RECTIFIER (1A)
70000011	D33	SF14	RECTIFIER (1A)
70000011	D34	SF14	RECTIFIER (1A)

81100004	SG1	SG333	THERMISTOR
57000210	U2	SG3525AN	HIGH SPEED PWM CONTROL IC
31600005	S13	SPACER_OD.5_L	. LED SPACER RICHCO22 LEDS2M-250-48
31600005	S14	SPACER_OD.5_L	. LED SPACER RICHCO22 LEDS2M-250-48
31600005	S15	SPACER_OD.5_L	. LED SPACER RICHCO22 LEDS2M-250-48
31600005	S16	SPACER_OD.5_L	. LED SPACER RICHCO22 LEDS2M-250-48
86500016	SO9	STANDOFF_AL_H	X STANDOFF AL 1/4" HEX_6 6-32x1/2"
86500016	SO10	STANDOFF_AL_H	X STANDOFF AL 1/4" HEX_6 6-32x1/2"
86500016	SO11	STANDOFF_AL_H	X STANDOFF AL 1/4" HEX_6 6-32x1/2"
86500016	SO12	STANDOFF_AL_H	X STANDOFF AL 1/4" HEX_6 6-32x1/2"
87600002	SO1	STANDOFF_BR_.	5 STANDOFF BRASS 3/16"x0.5" HEXM/F
87600002	SO2	STANDOFF_BR_.	5 STANDOFF BRASS 3/16"x0.5" HEXM/F
87600002	SO3	STANDOFF_BR_.	5 STANDOFF BRASS 3/16"x0.5" HEXM/F
87600002	SO4	STANDOFF_BR_.	5 STANDOFF BRASS 3/16"x0.5" HEXM/F
87600002	SO5	STANDOFF_BR_.	5 STANDOFF BRASS 3/16"x0.5" HEXM/F
87600002	SO6	STANDOFF_BR_.	5 STANDOFF BRASS 3/16"x0.5" HEXM/F
87600002	SO7	STANDOFF_BR_.	5 STANDOFF BRASS 3/16"x0.5" HEXM/F
87600002	SO8	STANDOFF_BR_.	5 STANDOFF BRASS 3/16"x0.5" HEXM/F
92000001	TIE1	TIE_WRAP/4IN	TIE WRAP 4 INCHES
92000001	TIE2	TIE_WRAP/4IN	TIE WRAP 4 INCHES
92000001	TIE3	TIE_WRAP/4IN	TIE WRAP 4 INCHES
92000001	TIE4	TIE_WRAP/4IN	TIE WRAP 4 INCHES
92000001	TIE5	TIE_WRAP/4IN	TIE WRAP 4 INCHES
71000030	Q20	TL431CLP	DIODE, ZENER, ADJUSTABLE
93000351	T6	TRANS/E55/14P	SMPS TRANS WITH 14 PINPLASTIC BOBBIN
57000211	U1	UC3854AN	HIGH SPEED PFC CONTROL IC
52000012	WASH1	WASHER#4	WASHER FIBRE SHOULDER #4
52000003	WASH2	WASHER#4	WASHER FIBRE SHOULDER #4
52000003	WASH3	WASHER#4	WASHER FIBRE SHOULDER #4
52000003	WASH4	WASHER#4	WASHER FIBRE SHOULDER #4
52000003	WASH5	WASHER#4	WASHER FIBRE SHOULDER #4
52000003	WASH6	WASHER#4	WASHER FIBRE SHOULDER #4
48000007	WASH7	WASHER#4	WASHER .13X.5X.03 RIVET BURFLAT
48000007	WASH8	WASHER#4	WASHER .13X.5X.03 RIVET BURFLAT
48000007	WASH9	WASHER#4	WASHER .13X.5X.03 RIVET BURFLAT
48000007	WASH10	WASHER#4	WASHER .13X.5X.03 RIVET BURFLAT
48000007	WASH11	WASHER#4	WASHER .13X.5X.03 RIVET BURFLAT
48000007	WASH12	WASHER#4	WASHER .13X.5X.03 RIVET BURFLAT
48000007	WASH13	WASHER#4	WASHER .13X.5X.03 RIVET BURFLAT
50000001	WASH14	WASHER#6	WASHER INT TOOTH #6
50000001	WASH15	WASHER#6	WASHER INT TOOTH #6
50000001	WASH16	WASHER#6	WASHER INT TOOTH #6
50000001	WASH17	WASHER#6	WASHER INT TOOTH #6
50000001	WASH18	WASHER#6	WASHER INT TOOTH #6
50000001	WASH19	WASHER#6	WASHER INT TOOTH #6
50000001	WASH20	WASHER#6	WASHER INT TOOTH #6
50000001	WASH21	WASHER#6	WASHER INT TOOTH #6
93000352	T4	XFMR/S-35X10	LOW POWER 12VA TRANSFORMER
94500017	Q2	ZVN2106A	MOSFET N-CHANNEL
94500017	Q4	ZVN2106A	MOSFET N-CHANNEL
94500018	Q3	ZVP2106A	MOSFET P-CHANNEL
94500018	Q5	ZVP2106A	MOSFET P-CHANNEL
10000001		Mechanical Parts	BARRIER STRIP 2POS,375CENT
10500001		Mechanical Parts	BARRIER JUMPER 02POS,375CENT
21000084		Mechanical Parts	CB 9AMP AJ1-BO-44-490-1C1-D
24600008		Mechanical Parts	AC INLET IEC320 W/FILTER 6A FAST
29000004		Mechanical Parts	GUARD KIT,FAN 2U 3PC 4 CLIP PLAS
33000017		Mechanical Parts	SCR PAN P U440 10 ST BZ MACH
35000002		Mechanical Parts	SCR PSM P U632 05 ST BZ MACH
37000017		Mechanical Parts	SCR FLT P U832 16 ST BZ MACH
37000010		Mechanical Parts	SCR FLT P U440 06 SS BP MACH
38000001		Mechanical Parts	SCR UFL P U632 04 SS BP MACH
40000015		Mechanical Parts	SCR PAN P U832 16 ST CZ MACH
43000052		Mechanical Parts	SCREW-MISC ST6-32X3/8 BUTTON HEA
43000058		Mechanical Parts	SCR #8X1/2" ST TYPE AB PHIL HEX
43000071		Mechanical Parts	SCR PAN P U832 06 ST BZ TFTL
44000001		Mechanical Parts	KEP NUT 4-40 STEEL ZINC
44000004		Mechanical Parts	KEP NUT 8-32 ZINC
47000015		Mechanical Parts	NUT HEX 8-32 ST CLEAR ZINC
48000003		Mechanical Parts	WASHER #8 FL
49000001		Mechanical Parts	SPLIT LOCK WASHER #8 SPLIT LOC
56000129		Mechanical Parts	INSULATOR 73C3799-A X8 PS PCB/CH
61510006		Mechanical Parts	PCB SUPPORT 3/8" SELF-ADHESIVE N
62100002		Mechanical Parts	COV 77D3733-D X8 CONSOLE PS
63100007		Mechanical Parts	CHS 77D3732-00 X8 CONS PS
64300435		Mechanical Parts	RP LAM 73A3874-A X8 OUTPUT CONN

64300436	Mechanical Parts	RP LAM 73A3916-A X8 CAUTION/LOG
82300079	Mechanical Parts	RIBBON ASSY 73A3809-B X8 PS
92000001	Mechanical Parts	TIE WRAP 4"
95000003	Mechanical Parts	TUBING HEATSHRINK 3/32" BLACK
98500122	Mechanical Parts	WIRE ASSY 73A3802-A X-SERIES PS
98500123	Mechanical Parts	WIRE ASSY 73A3803-C X-SERIES PS
98500124	Mechanical Parts	WIRE ASSY 73A3804-B X-SERIES PS
98500125	Mechanical Parts	WIRE ASSY 73A3805-00 X-SERIES PS
98500126	Mechanical Parts	WIRE ASSY 73A3806-A X-SERIES PS
98500127	Mechanical Parts	WIRE ASSY 73A3807-B X-SERIES PS
98500128	Mechanical Parts	WIRE ASSY 73A3808-B X-SERIES PS
98500129	Mechanical Parts	WIRE ASSY 73A3814-A X-SERIES PS
98500130	Mechanical Parts	WIRE ASSY 73A3815-A X-SERIES PS
98500131	Mechanical Parts	WIRE ASSY 73A3882-A X-SERIES PS