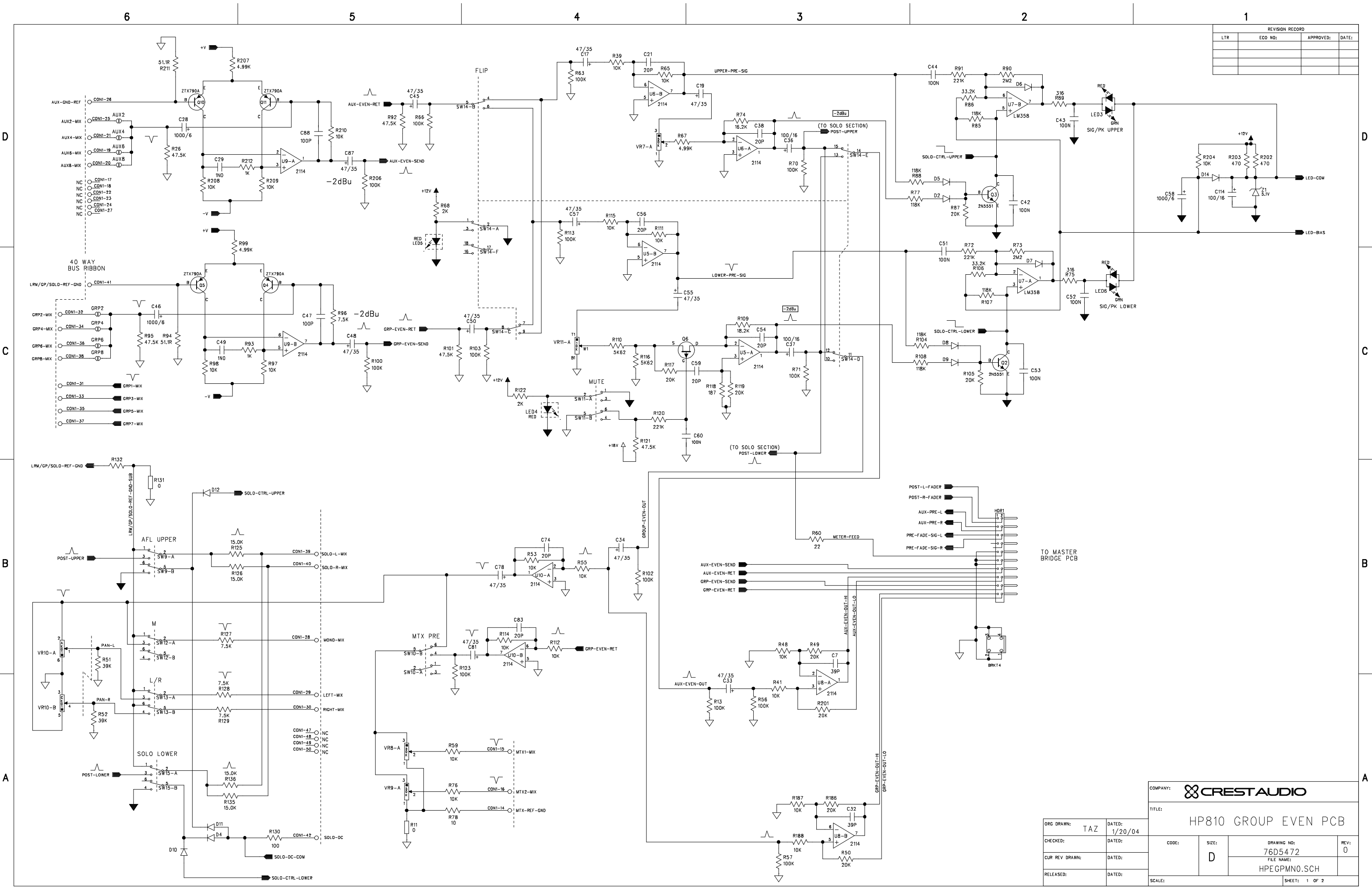


REVISION RECORD			
LTR	ECO NO:	APPROVED:	DATE:



COMPANY: CRESTAUDIO		TITLE: HP810 GROUP EVEN PCB	
ORG DRAWN: TAZ	DATED: 1/20/04	CODE: D	SIZE: D
CHECKED:	DATED:	DRAWING NO: 76D5472	REV: 0
CLERK REV DRAWN:	DATED:	FILE NAME: HPEGPMNO.SCH	SCALE:
RELEASED:	DATED:	SHEET: 1 OF 2	

REVISION RECORD			
LTR	ECO NO:	APPROVED:	DATE:

D

D

C

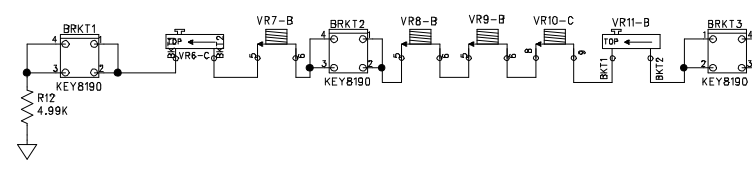
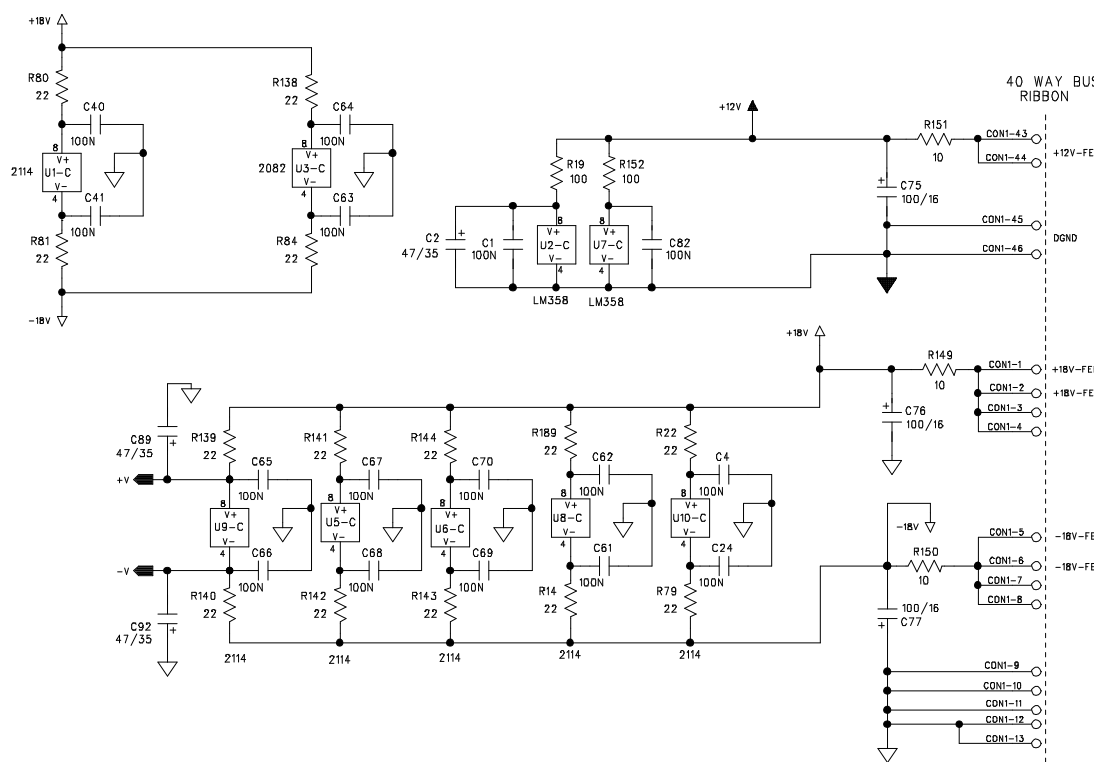
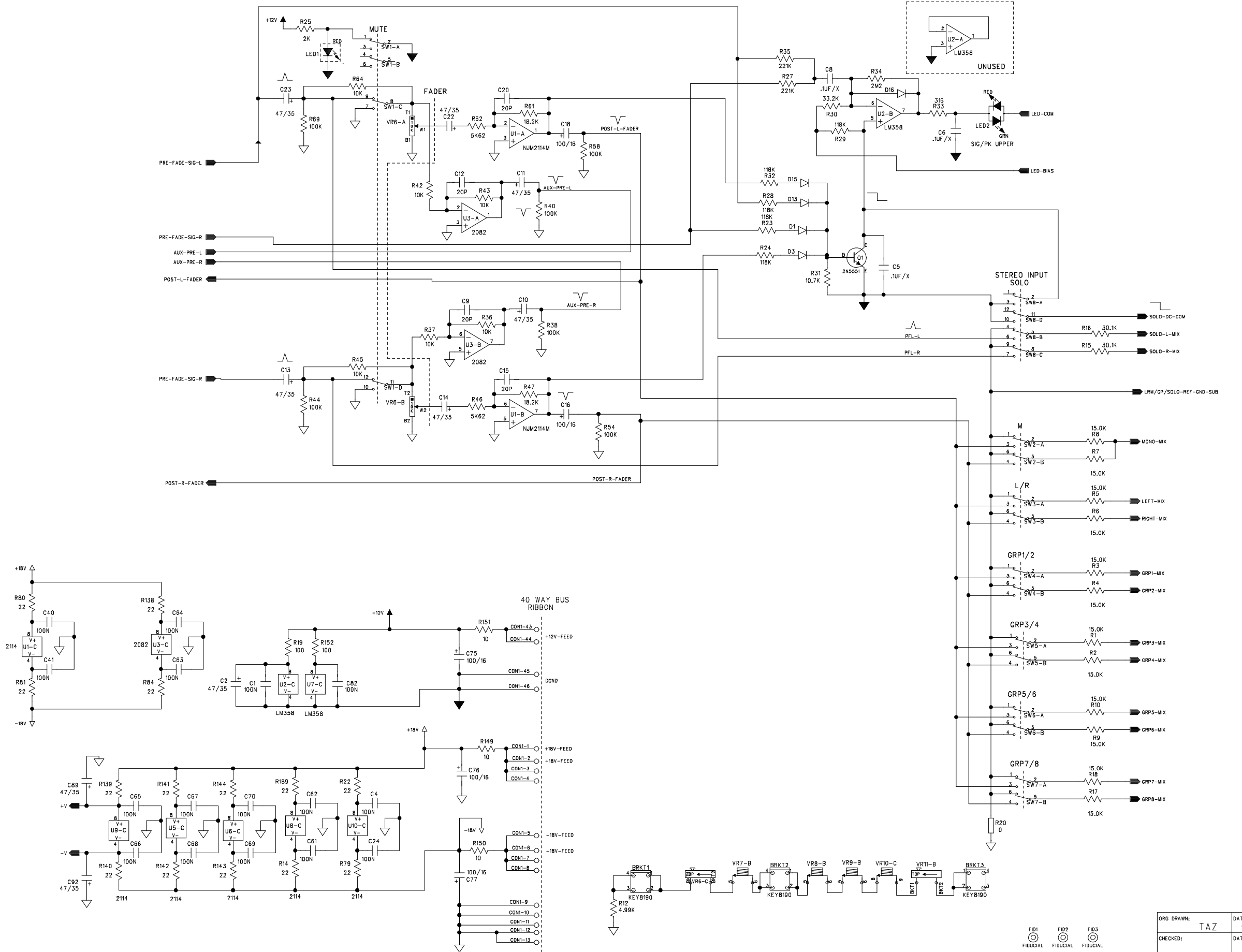
C

B

B

A

A



COMPANY: **CRESTAUDIO**

TITLE: **HP810 EVEN GROUP PCB**

ORG DRAWN: TAZ	DATED: 1/20/04	CODE: D	DRAWING NO: 76D5472	REV: 00
CHECKED:	DATED:			
CUR REV DRAWN:	DATED:	FILE NAME: HPEGPMNO.SCH		SCALE:
RELEASED:	DATED:	SHEET: 2 OF 2		

PCB1
PV7210966
7805472-00

FID1 FID2 FID3
FIDUCIAL FIDUCIAL FIDUCIAL

TH1 TH2 TH3
TOOLHOLE TOOLHOLE TOOLHOLE

6

5

4

3

2

1

REVISION RECORD			
LTR	ECO NO:	APPROVED:	DATE:

REVISION RECORD					
REV LEVEL	ASMBLY LEVEL	DATE	ECO	ENG.	DESCRIPTION
A	A	9/03		TAZ	PROTOTYPE PCB
B	A	10/29/03		TAZ	PCB REVISION FROM A TO B MOVED ALL SWITCHES UP BY 0.060" TO USE NEW SWITCH CAPS SO AS SAME HEIGHT AS SWITCHES ON INPUT MODULES - INTERNAL WORKING LEVEL CHANGE FROM +4dBu TO -2dBu CHANGE R74 FROM 30.1K TO 16K2 CHANGE R109 FROM 33K2 TO 18K25 CHANGE R87, R105 FROM 10K7 TO 20K CHANGE R49, R201, R186, R50 FROM 10K TO 20K CHANGE C7, C32 FROM 100pF TO 39 pF CHANGE R125, R126, R136, R135 FROM 30.1K TO 15K CHANGE R127, R128, R129 FROM 15K TO 7K5 - MUTE TRIM CHANGE R118 FROM 499R TO 187R - REMOVE GLITCH THAT OCCURRS WHEN SOLO SWITCH RELEASED ADD C3 AND C25 (100nF) -CORRECT PAN LOAD - CHANGE R51 AND R52 FROM 10K7 TO 39K
00	A	1/20/03		TAZ	PCB REVISION FROM B TO 00 - PRODUCTION RELEASE - REMOVE C3 AND C25 (100nF) - CAUSING CONSOLE SOLO GLITCHING. - MUTE TRIM CHANGE R119 FROM 2K TO 20K

D

C

B


A

D

C

B

A

ORG DRAWN: TAZ		DATED: 1/20/04		COMPANY: 	
CHECKED:		DATED:		TITLE: HP8 GROUP EVEN PCB	
CUR REV DRAWN:		DATED:		CODE:	SIZE: D
RELEASED:		DATED:		DRAWING NO: 76D5472	REV: 0
				FILE NAME: HPEGPMNO.SCH	
SCALE:				SHEET: OF	