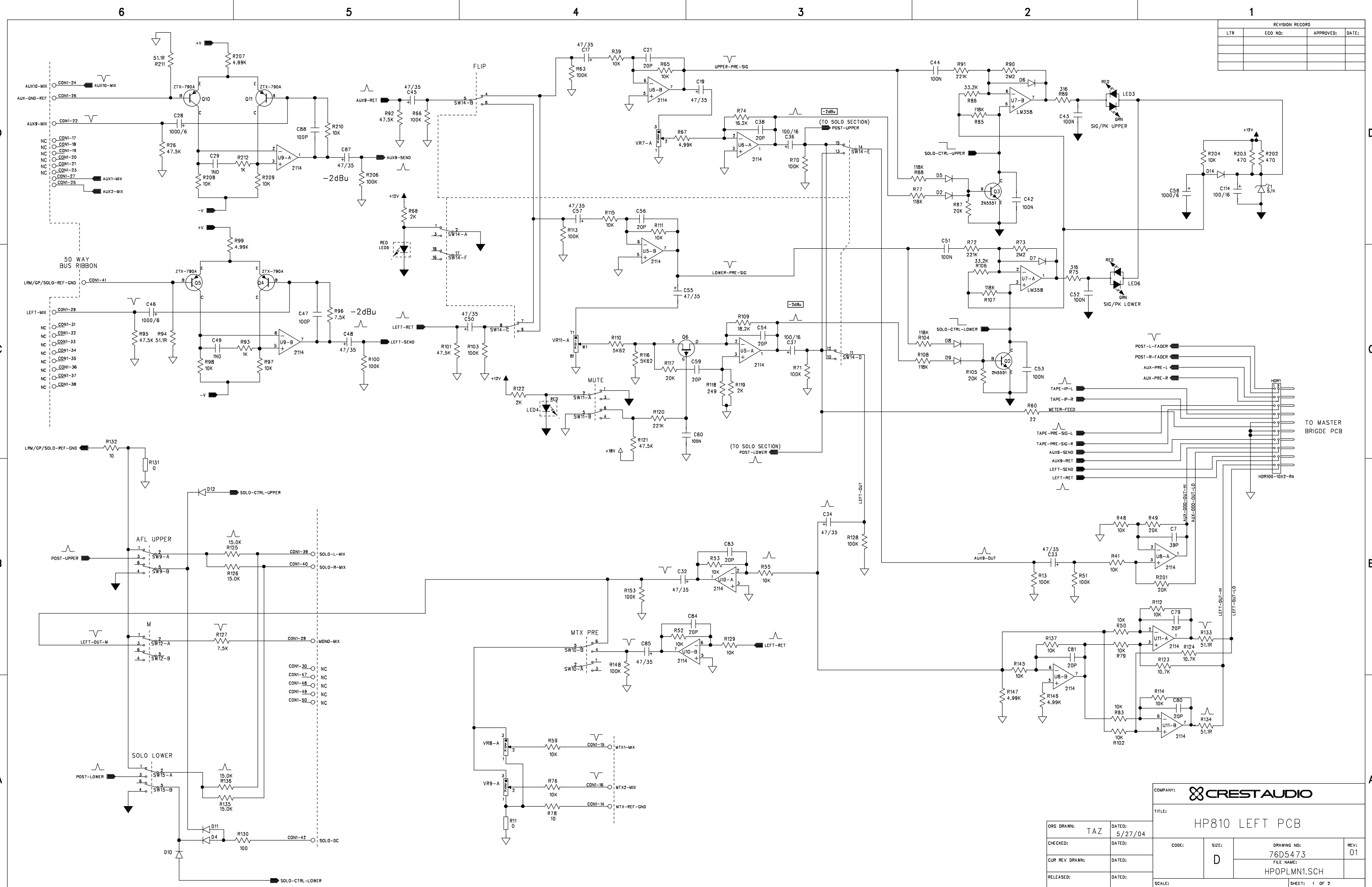


REVISION RECORD			
LTR	ECO NO:	APPROVED:	DATE:

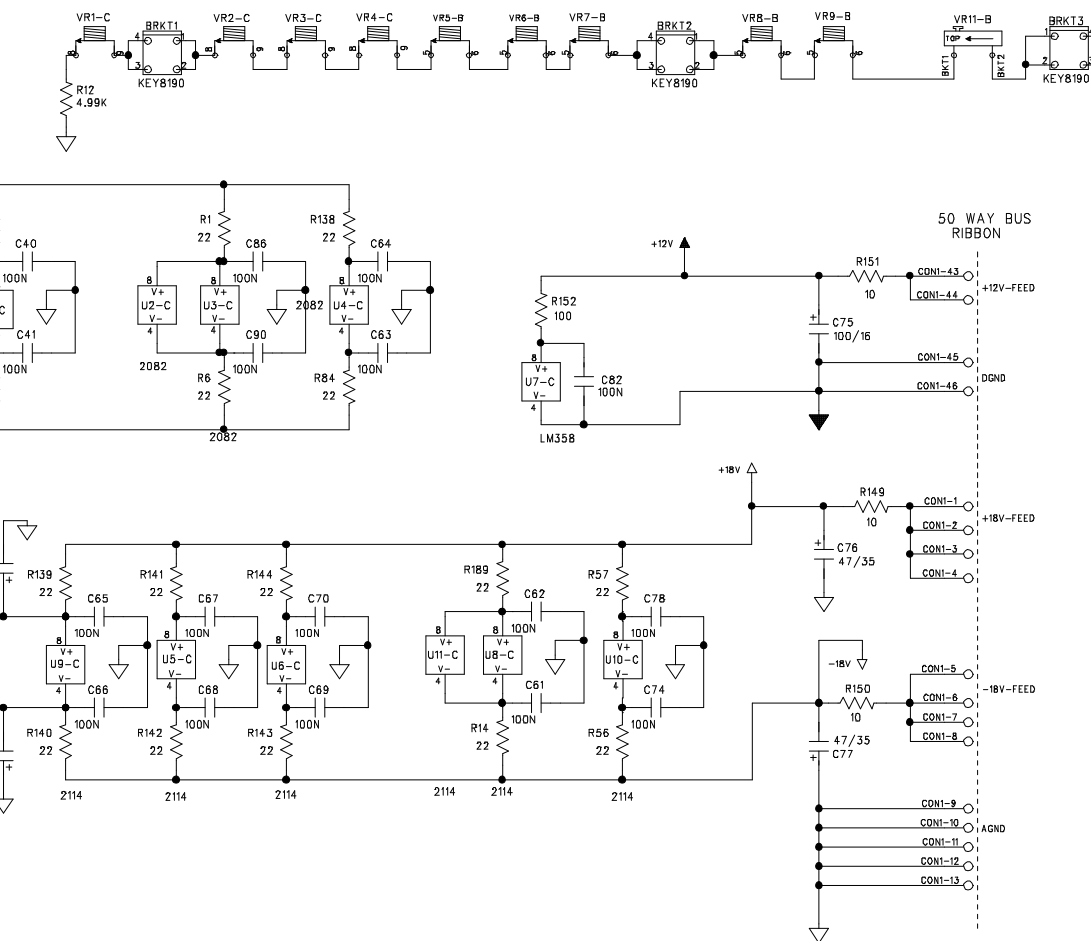
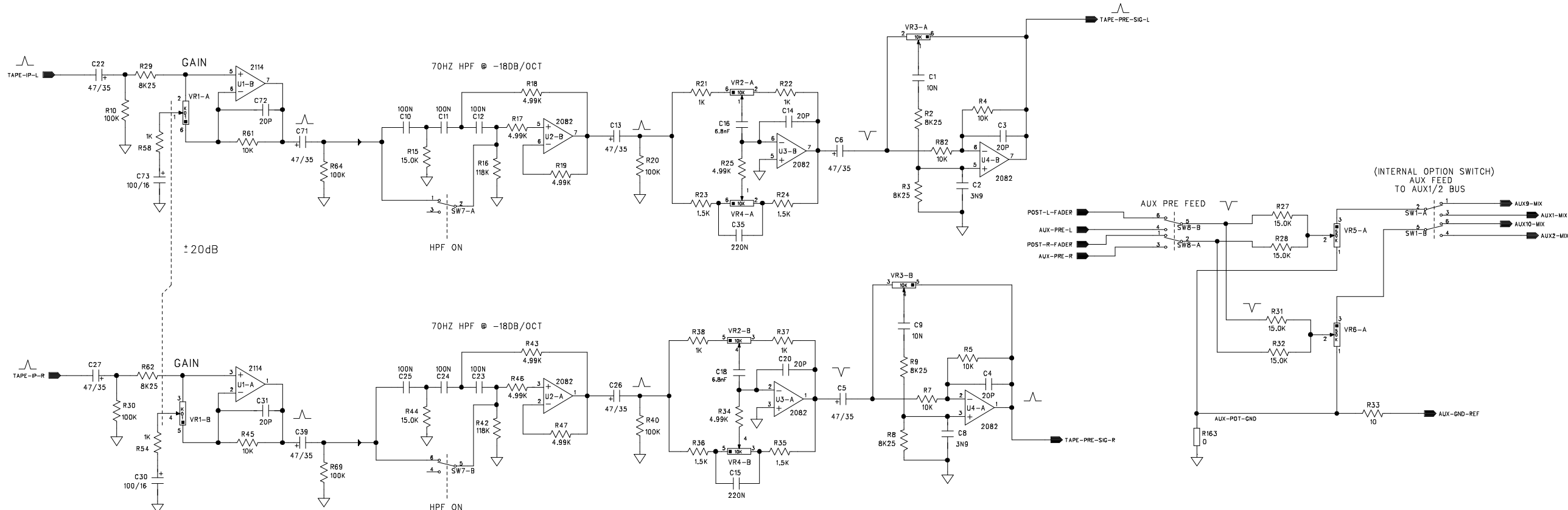


COMPANY: **CRESTAUDIO**

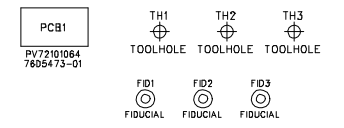
TITLE: **HP810 LEFT PCB**

ORG DRAWN: TAZ	DATED: 5/27/04	CODE: D	SIZE: D	DRAWING NO: 76D5473	REV: 01
CUR REV DRAWN:	DATED:	DRAWING NO: HPOPLMN1.SCH		FILE NAME:	
RELEASED:	DATED:	SCALE:		SHEET: 1 OF 2	

REVISION RECORD			
LTR	ECO NO:	APPROVED:	DATE:



REVISION RECORD					
REV LEVEL	ASMBLY LEVEL	DATE	ECO	ENG.	DESCRIPTION
A	A	9/03		TAZ	PROTOTYPE PCB
B	A	10/29/03		TAZ	PCB REVISION FROM A TO B MOVED ALL SWITCHES UP BY 0.060" TO USE NEW SWITCH CAPS SO AS SAME HEIGHT AS SWITCHES ON INPUT MODULES - INTERNAL WORKING LEVEL CHANGE FROM +4dBu TO -2dBu CHANGE R74 FROM 30.1K TO 16K2 CHANGE R109 FROM 33K2 TO 18K25 CHANGE R87, R105 FROM 10K7 TO 20K CHANGE R49, R201 FROM 10K TO 20K CHANGE C7 FROM 100pF TO 39 pF CHANGE R125, R126, R136, R135 FROM 30.1K TO 15K CHANGE R127 FROM 15K TO 7K5 CHANGE R112, R114 FROM 4K99 TO 10K CHANGE R123, R124 FROM 5K62 TO 10.7K - MUTE TRIM CHANGE R118 FROM 499R TO 187R - REMOVE CLITCH THAT OCCURRS WHEN SOLO SWITCH RELEASED - ADD C91 AND C93 (100nF) - CHANGE STEREO RETURN MID EQ TO PEAKING AT 2KHz CHANGE C1, C9 FROM 5N6 TO 10N CHANGE C2, C8 FROM 2N2 TO 3N9 - CORRECT ERROR CHANGE R45 FROM 15K TO 10K
00	A	1/16/04		TAZ	PCB REVISION FROM B TO 00 - PRODUCTION RELEASE. MOVED LED UP 0.050" - SITTING LOW ON THE PCB. REMOVED C91 AND C93 (100nF), CAUSING GLOBAL SOLO GLITCHING ON CONSOLE. MUTE TRIM - CHANGE R118 FROM 187R TO 249R.
01	A	5/27/04		TAZ	PCB REVISION FROM 00 TO 01 - AUX9/10 SPEC IMPROVE CHANGED TRACKING OF STEREO FEED TO AUX 9/10 (IMPROVE NOISE/XTALK SPEC) CHANGE VR5 AND VR6 FROM DUAL TO SINGLE POT ADDED SW1 (INTERNAL SWITCH FOR OPTION SELECT)



COMPANY: **CRESTAUDIO**

TITLE: **HP810 LEFT PCB**

ORG DRAWN: TAZ DATED: 5/27/04

CHECKED: DATED:

CLUR REV DRAWN: DATED:

RELEASED: DATED:

CODE: D SIZE: D DRAWING NO: 76D5473 REV: 01

FILE NAME: HPOPLMN1.SCH

SCALE: SHEET: 2 OF 2