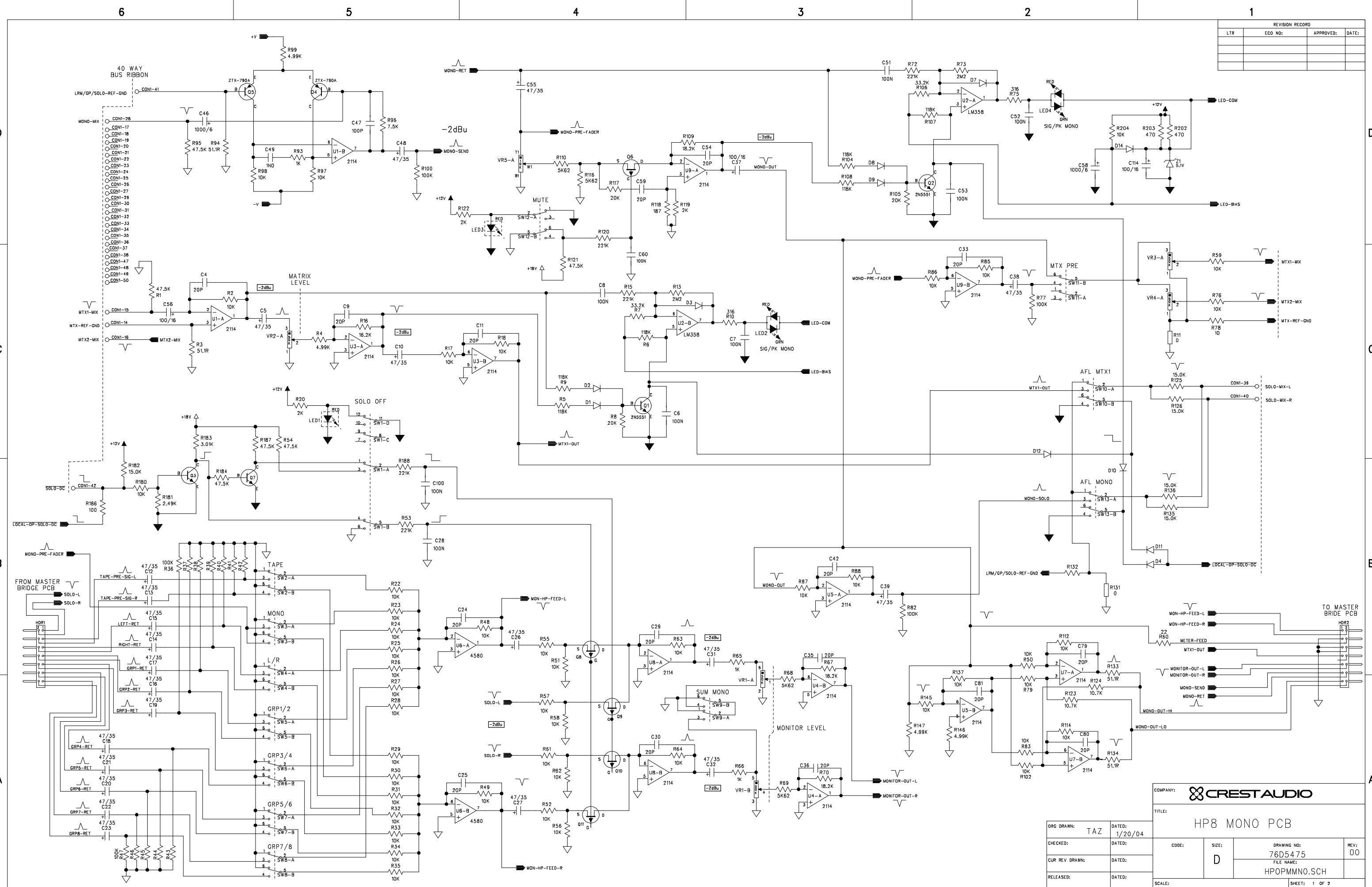


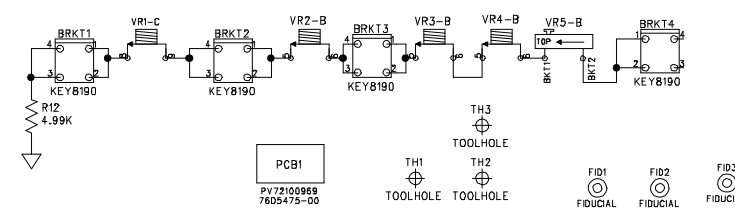
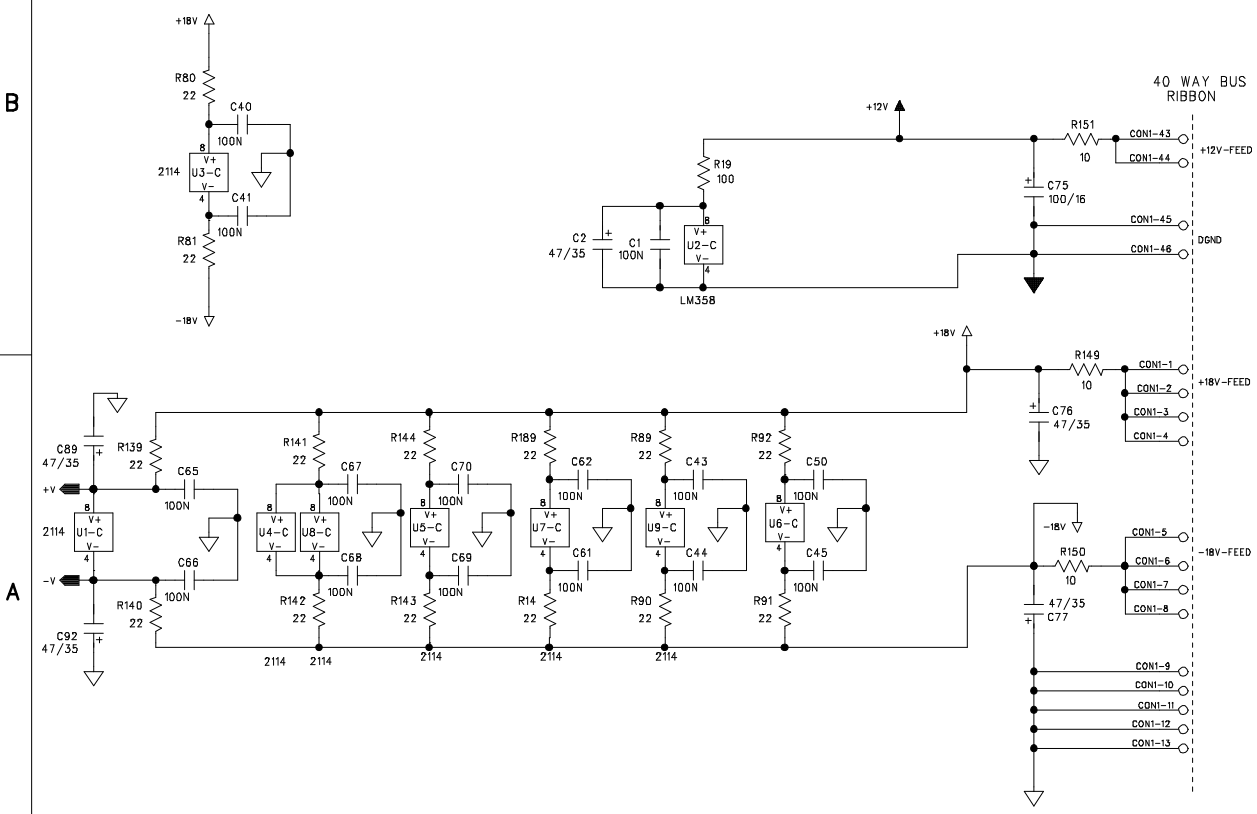
REVISION RECORD			
LTR	ECO NO:	APPROVED:	DATE:



COMPANY: CRESTAUDIO		TITLE: HP8 MONO PCB	
ORG DRAWN: TAZ	DATED: 1/20/04	CODE: D	SIZE: 76D5475
CHECKED:	DATED:	DRAWING NO: HPOPMMNO.SCH	REV: 00
CUR REV DRAWN:	DATED:	FILE NAME:	SCALE:
RELEASED:	DATED:	SHEET: 1 OF 2	

REVISION RECORD			
LTR	ECO NO:	APPROVED:	DATE:

REVISION RECORD					
REV LEVEL	ASMBLY LEVEL	DATE	ECO	ENG.	DESCRIPTION
A	A	9/03		TAZ	PROTOTYPE PCB
B	A	10/29/03	DCO 1344	TAZ	PCB REVISION FROM A TO B MOVED ALL SWITCHES UP BY 0.060" TO USE NEW SWITCH CAPS SO AS SAME HEIGHT AS SWITCHES ON INPUT MODULES - INTERNAL WORKING LEVEL CHANGE FROM +4dBu TO -2dBu CHANGE R109 FROM 33K2 TO 18K25 CHANGE R8, R105 FROM 10K7 TO 20K CHANGE R125, R126, R136, R135 FROM 30.1K TO 15K CHANGE R112, R114 FROM 4K99 TO 10K CHANGE R123, R124 FROM 5K62 TO 10.7K CHANGE R4 FROM 7K5 TO 4K99 CHANGE R16 FROM 30.1K TO 16K2 - MUTE TRIM CHANGE R118 FROM 499R TO 187R - REMOVE GLITCH THAT OCCURRS WHEN SOLO SWITCH RELEASED ADD C3 AND C34 (100nF) - REDUCE CURRENT SINK DEFICIENCY OF Q3 (SOLO TRANSISTOR) CHANGE R183 FROM 1K TO 3K - MONO MUTE SWITCH TRACKED WRONG (REVERSED FUNCTION)
00	A	1/20/04		TAZ	PCB REVISION FROM B TO 00 - PRODUCTION RELEASE. REMOVE C3 AND C34 (100nF) -CAUSING GLOBAL SOLO GLITCHES.



ORG DRAWN: TAZ		DATED: 1/20/04		COMPANY: CRESTAUDIO	
CHECKED:		DATED:		TITLE: HP8 MONO PCB	
CUR REV DRAWN:		DATED:		CODE: D	SIZE: D
RELEASED:		DATED:		DRAWING NO: 76D5475	REV: 00
				FILE NAME: HPOPMMNO.SCH	
SCALE:				SHEET: 2 OF 2	