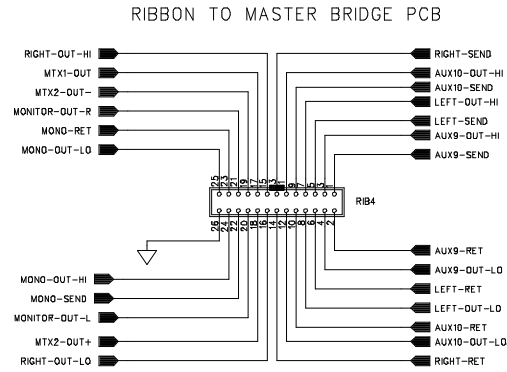
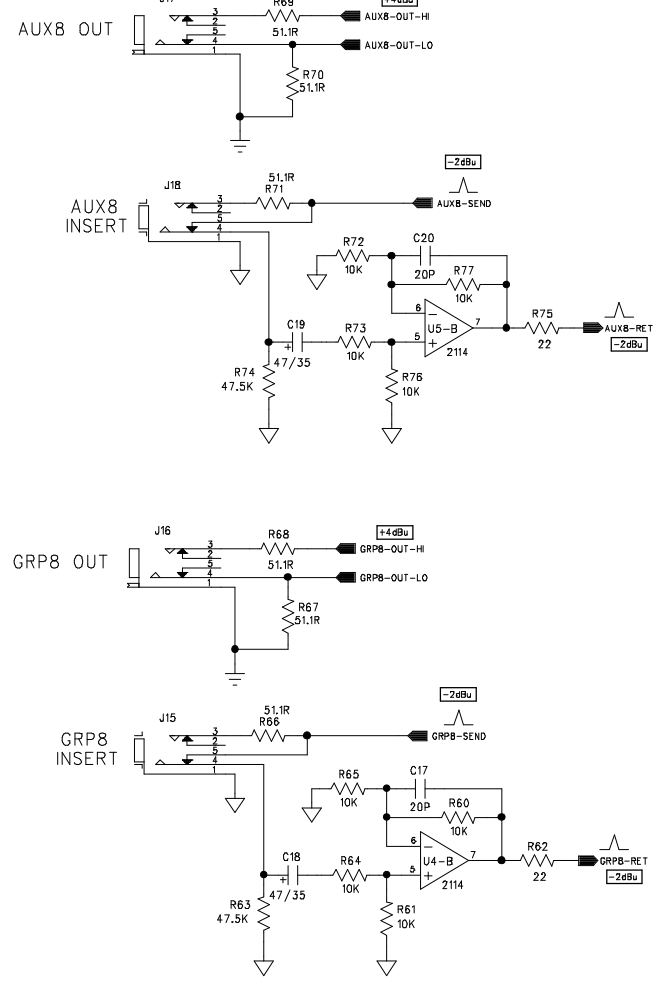
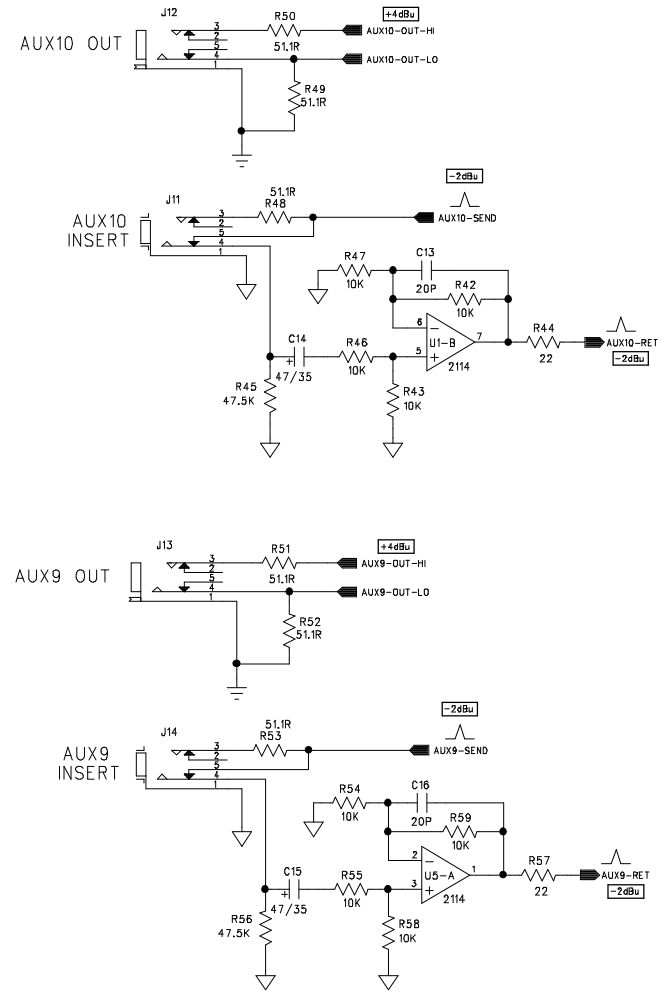
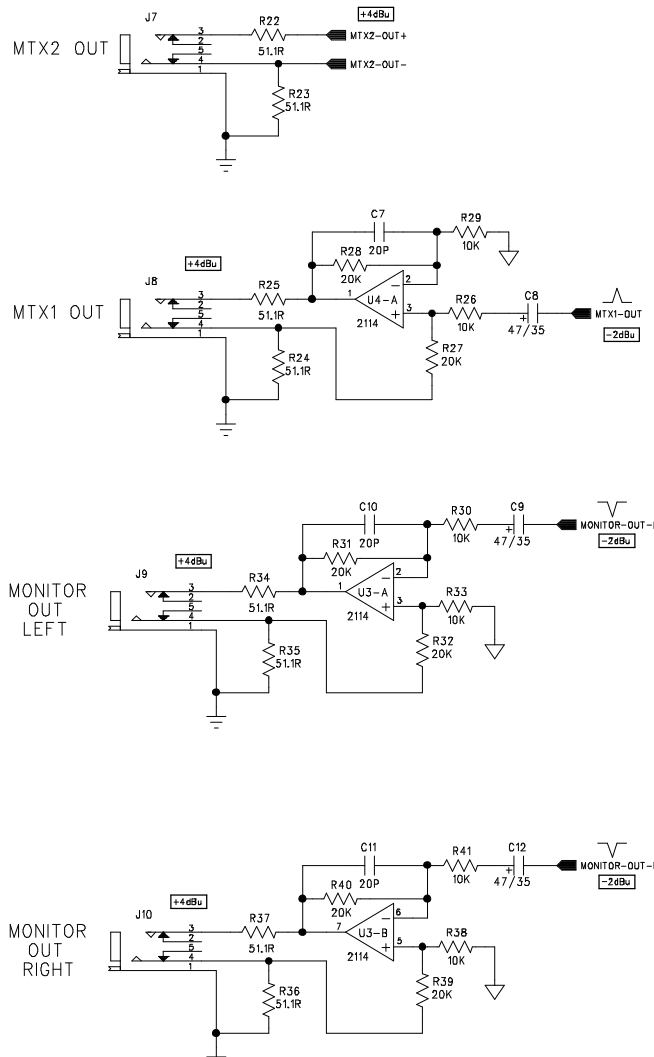
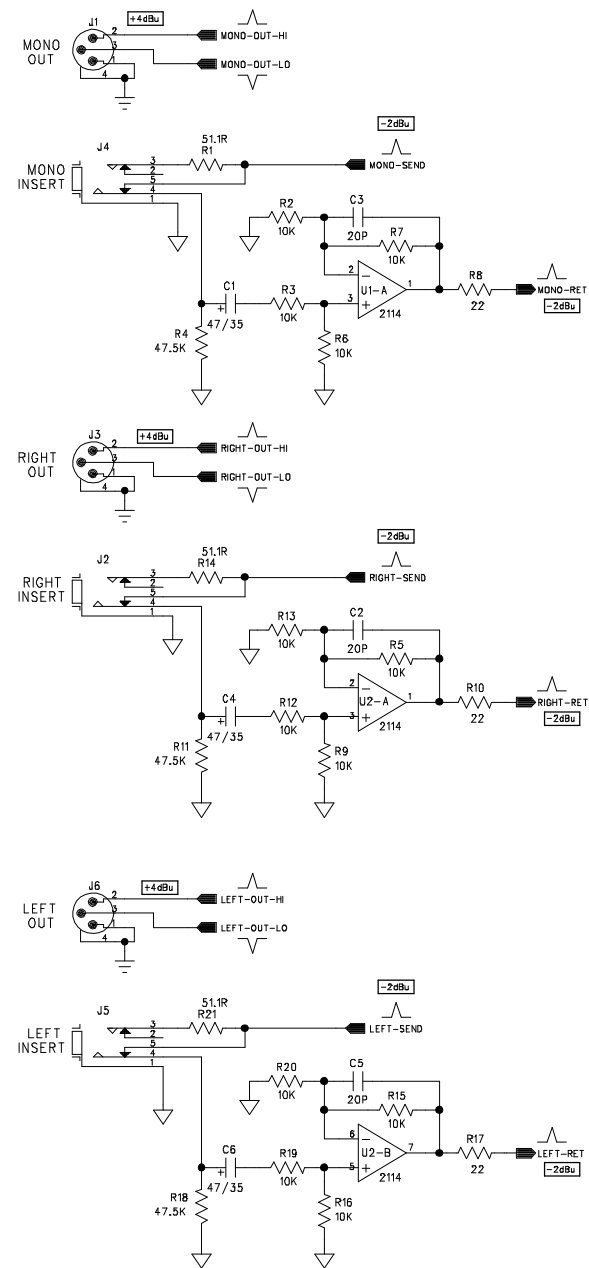


REVISION RECORD			
LTR	ECO NO:	APPROVED:	DATE:

REVISION RECORD					
REV LEVEL	ASMBLY LEVEL	DATE	ECO	ENG.	DESCRIPTION
A	A	8/03		TAZ	PROTOTYPE PCB
B	A	10/31/03		TAZ	PCB REVISION CHANGE FROM A TO B - REMOVAL OF MASTER BRIDGE PCB TO ITS OWN PCB - TAPE A AND TAPE B OUTPUTS TO RIBB2 REVERSED (PREVIOUSLY LABELED LINE 4/LINE5) - LINE AND TAPE INPUTS CHANGED SO THAT LEFT INPUT FEEDS BOTH LEFT AND RIGHT INPUTS (MONO) - CHANGE OUTPUTS TO +4dBu CHANGE R28, R27, R31, R32, R40, R39 FROM 10K TO 20K
00	A	10/31/03		TAZ	PCB REVISION CHANGE FROM B TO 00 - PRODUCTION RELEASE MISSING AGND ON LEFT INSERT JACK (J5)
00	A	10/31/03		TAZ	CONNECT AGND OF CONNECTOR PCB TO AGND OF MASTER BRIDGE THRU RIBBONS (RIB2,3 AND 4) AND REMOVE AGND CONNECTION TO POWER CONNECTOR HDR17 REDUCES PSU PICKUP BY THE LINE INPUTS DUE TO AGND DIFFERENCE



PCB1
PV72101051



COMPANY: **CRESTAUDIO**

TITLE: **HP810 MASTER CONNECTOR PCB**

ORG DRAWN: TAZ	DATED: 5/4/04
CHECKED:	DATED:
CLR REV DRAWN:	DATED:
RELEASED:	DATED:

CODE:	SIZE: D	DRAWING NO: 76D5477	REV: 01
SCALE:		FILE NAME: HPMSTCN1.SCH	SHEET: 1 OF 4

6

5

4

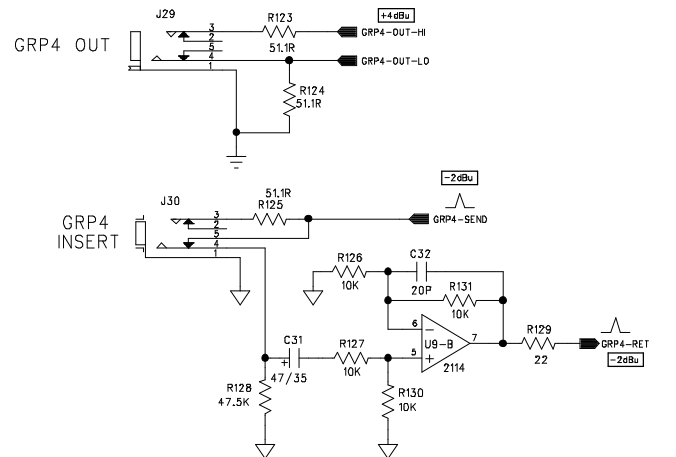
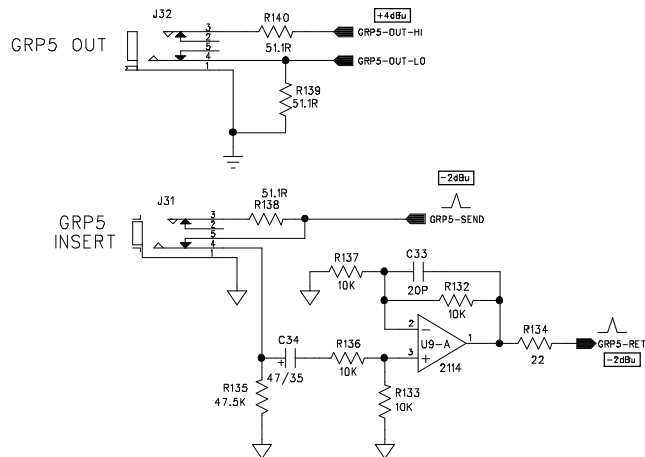
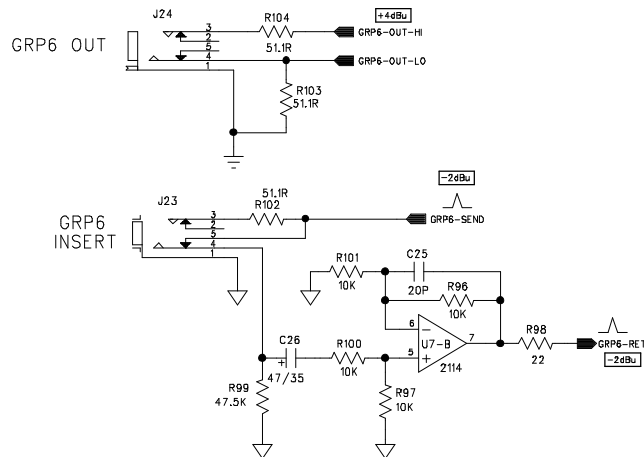
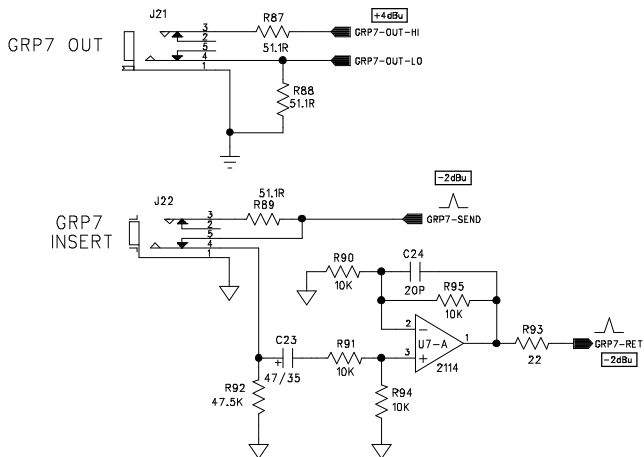
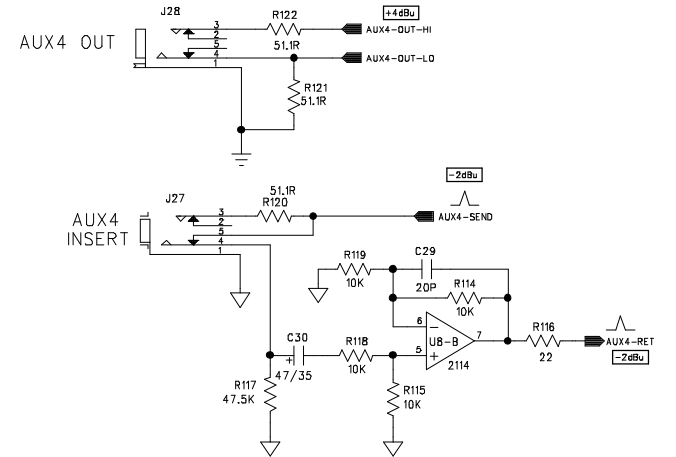
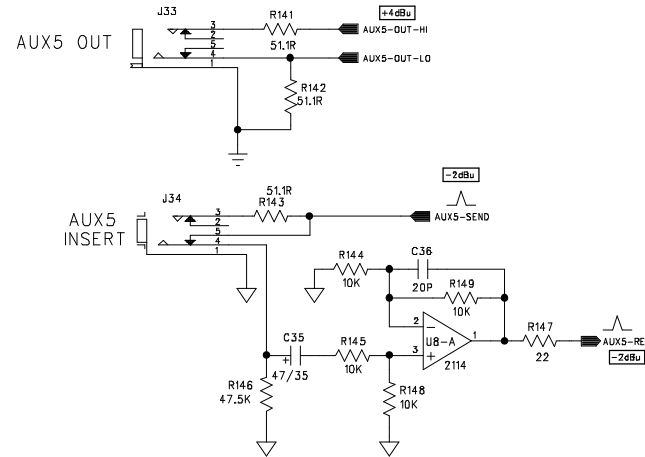
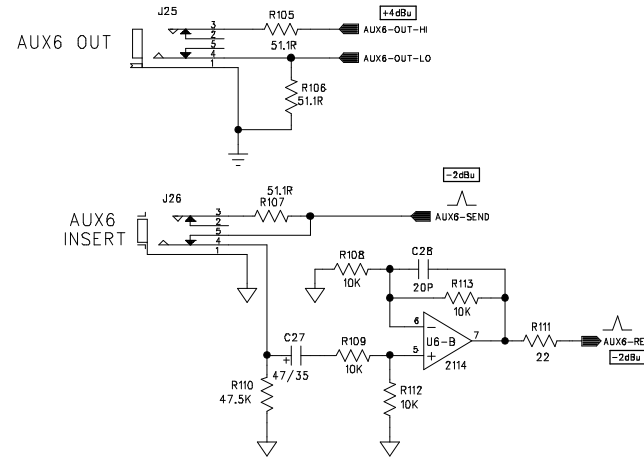
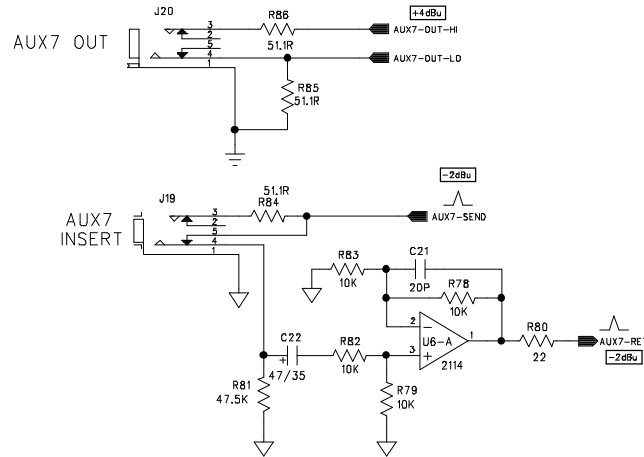
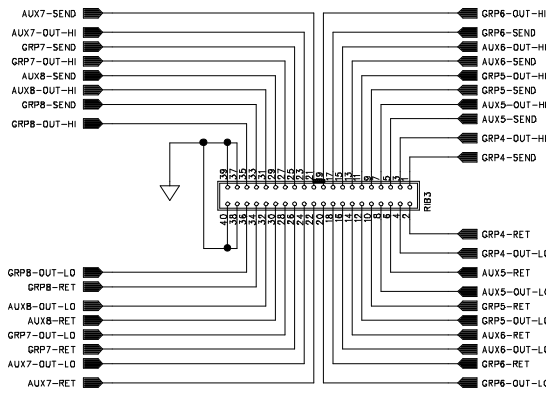
3

2

1

REVISION RECORD			
LTR	ECO NO:	APPROVED:	DATE:

RIBBON TO MASTER BRIDGE PCB



COMPANY: CRESTAUDIO

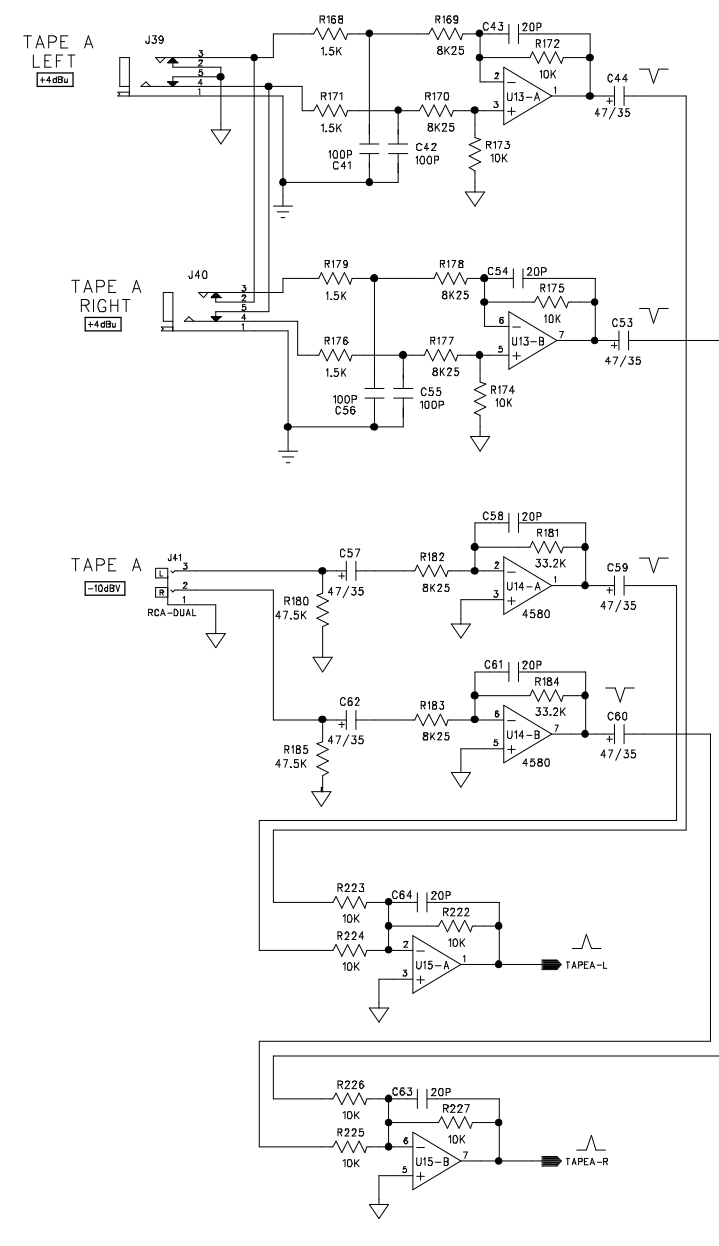
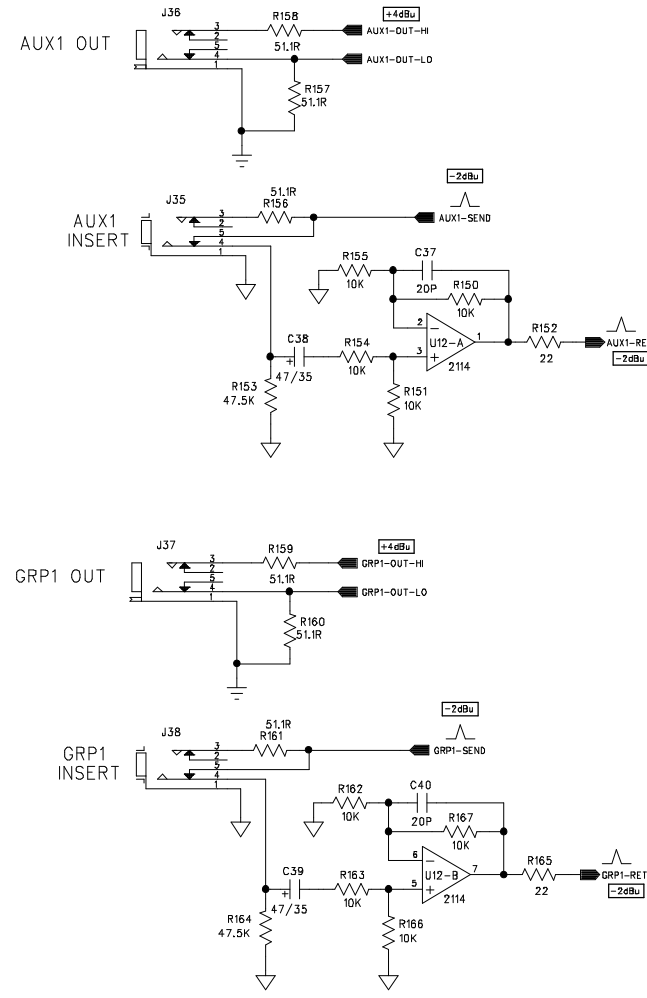
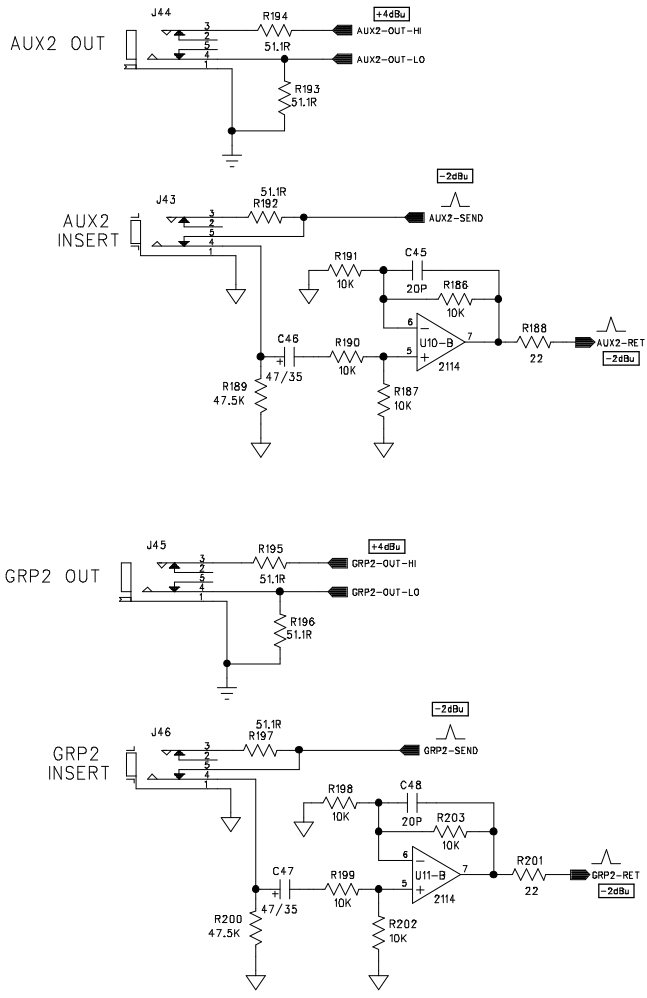
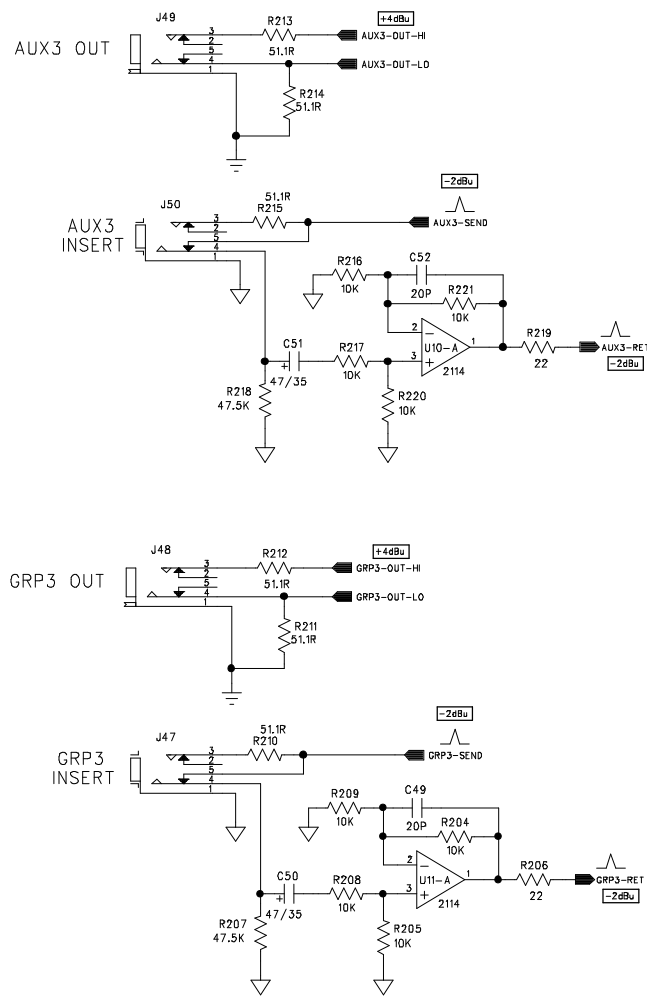
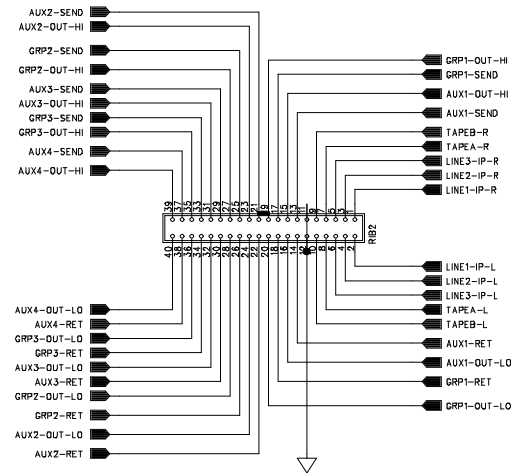
TITLE: HP810 MASTER CONNECTOR PCB

ORG DRAWN: TAZ	DATED: 5/4/04
CHECKED:	DATED:
CLUR REV DRAWN:	DATED:
RELEASED:	DATED:

CODE:	SIZE: D	DRAWING NO: 76D5477	REV: 01
SCALE:		FILE NAME: HPMSTCN1.SCH	SHEET: 2 OF 4

REVISION RECORD			
LTR	ECO NO:	APPROVED:	DATE:

RIBBON TO MASTER BRIDGE PCB

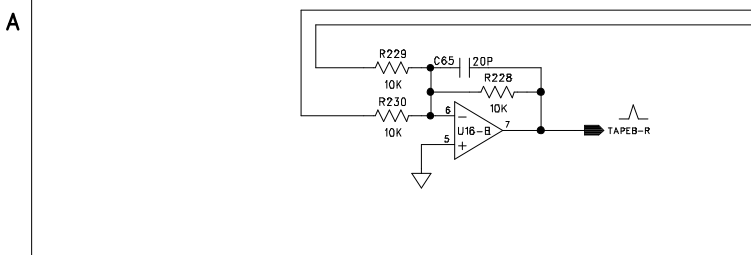
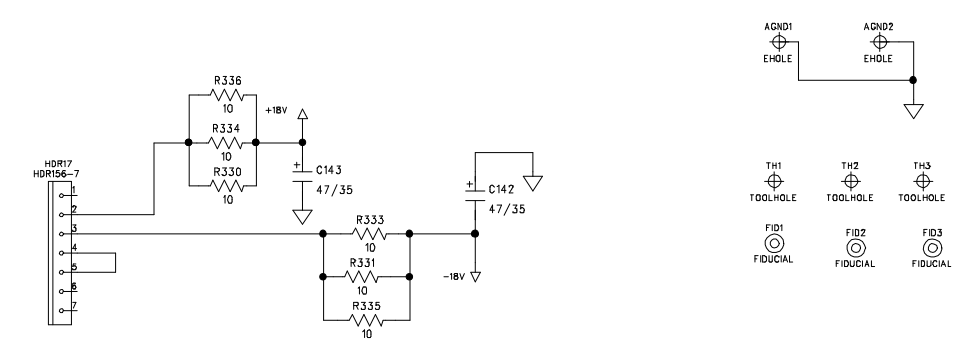
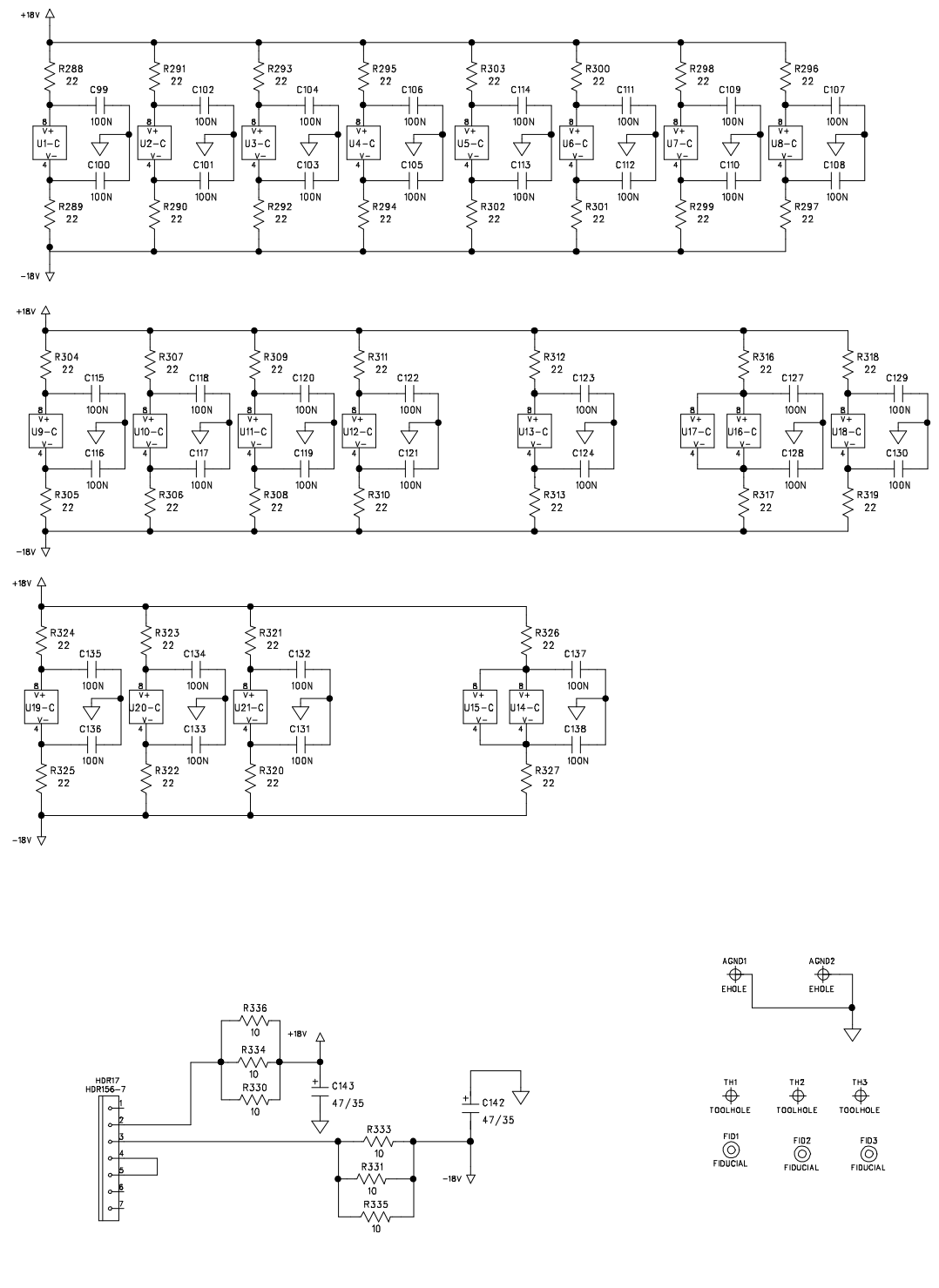
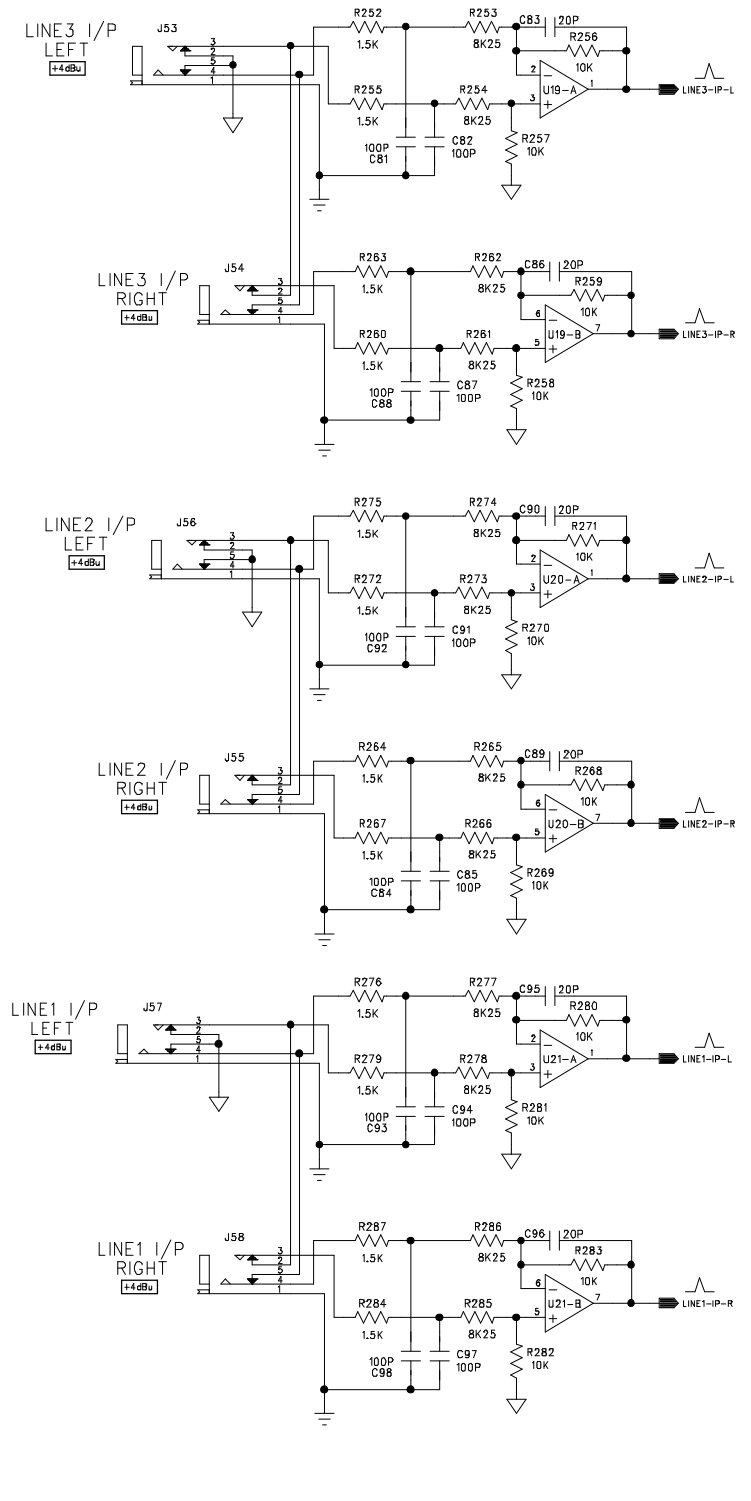
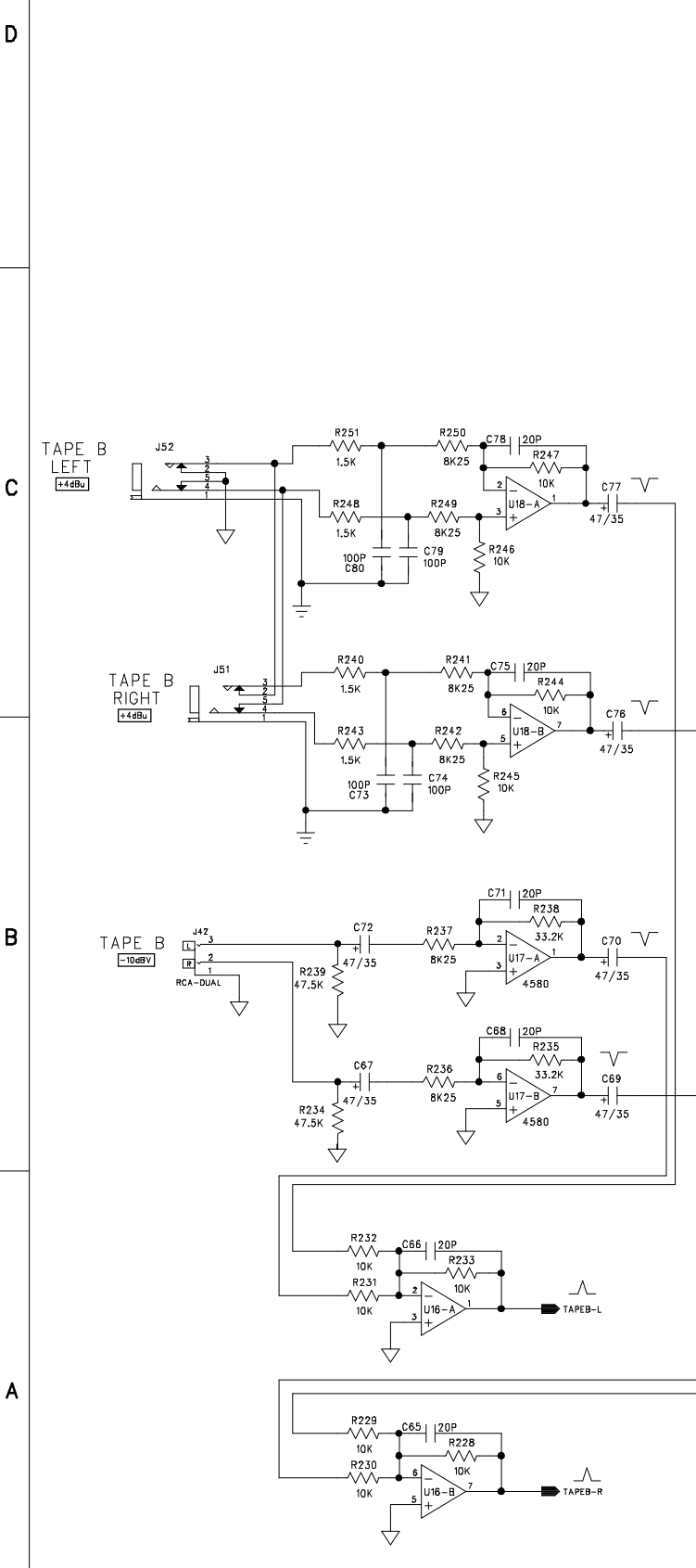


COMPANY: **CRESTAUDIO**

TITLE: **HP810 MASTER CONNECTOR PCB**

ORG DRAWN: TAZ	DATED: 5/4/04	CODE: D	SIZE: D	DRAWING NO: 76D5477	REV: 01
CHECKED:	DATED:	FILE NAME: HPMSTCN1.SCH		SHEET: 3 OF 4	
CLR REV DRAWN:	DATED:	SCALE:			
RELEASED:	DATED:				

REVISION RECORD			
LTR	ECO NO:	APPROVED:	DATE:



COMPANY: CRESTAUDIO		TITLE: HP810 MASTER CONNECTOR PCB	
ORG DRAWN: TAZ	DATED: 5/4/04	CODE: D	REV: 01
CHECKED:	DATED:	SIZE:	DRAWING NO: 76D5477
CLR REV DRAWN:	DATED:	FILE NAME: HPMSTCN1.SCH	REV: 01
RELEASED:	DATED:	SCALE:	SHEET: 4 OF 4