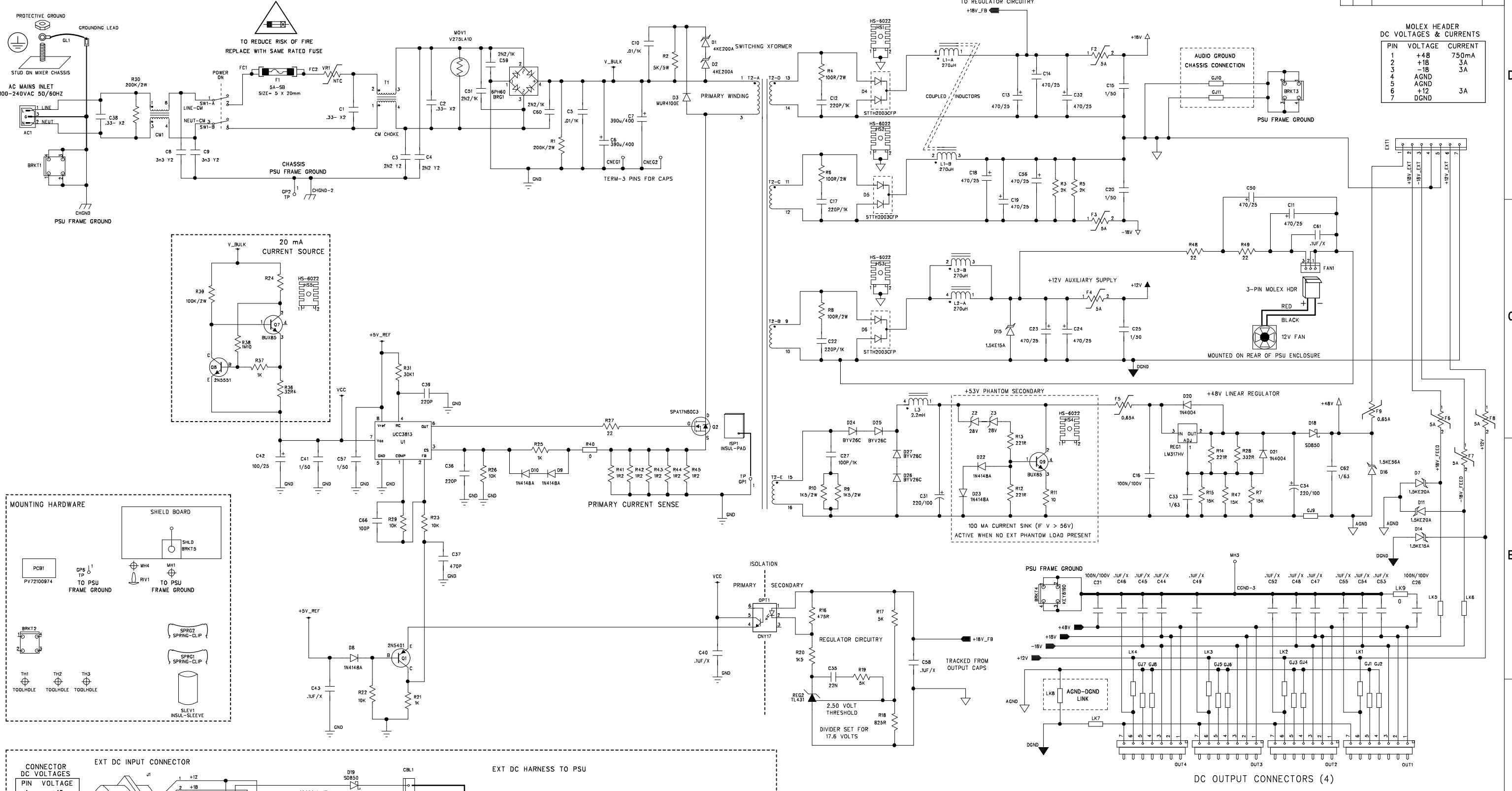


REVISION RECORD		
REV	ECO	CHANGES
A		INITIAL PROTO RUN - QTY=15
B		PROTO RUN 2 - QTY=30

MOLEX HEADER DC VOLTAGES & CURRENTS		
PIN	VOLTAGE	CURRENT
1	+48	750mA
2	+18	3A
3	-18	3A
4	AGND	
5	AGND	
6	+12	
7	DGND	3A



D

C

B

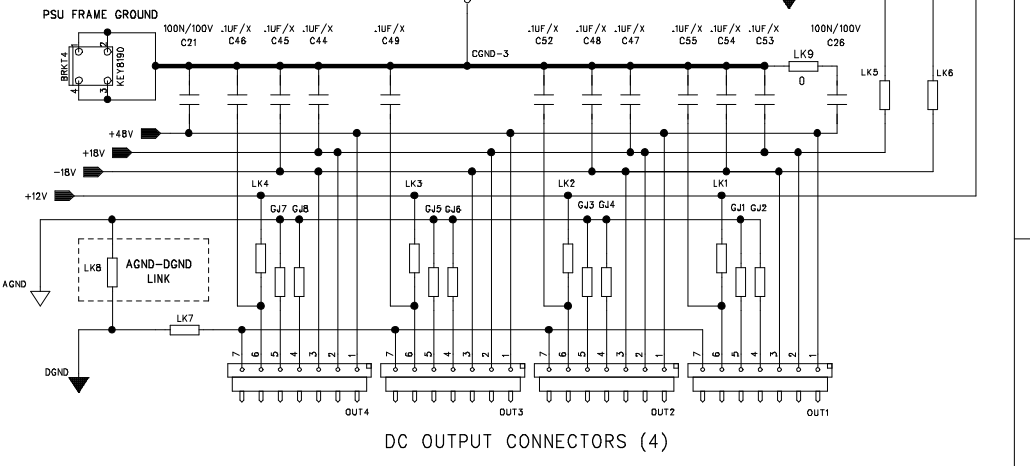
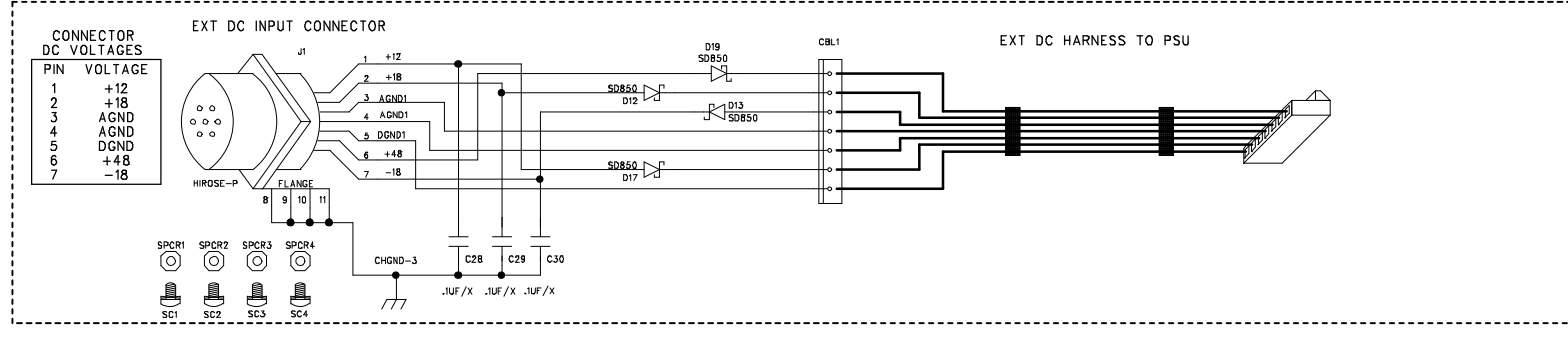
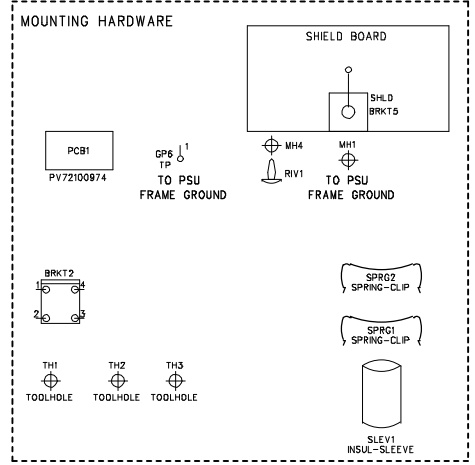
A

D

C

B

A



COMPANY: **CRESTAUDIO**

TITLE: **HP-EIGHT SWITCH-MODE PSU 200 WATT UNIVERSAL INPUT**

ORG DRAWN: JRP DATED: NOV-03

CHECKED: DATED:

CUR REV DRAWN: JRP DATED: MAR-04

RELEASED: DATED:

CODE: D SIZE: DRAWING NO: 76D5480 REV: 0

FILE NAME: HP-psu-0.sch

SCALE: SHEET: 1 OF 2