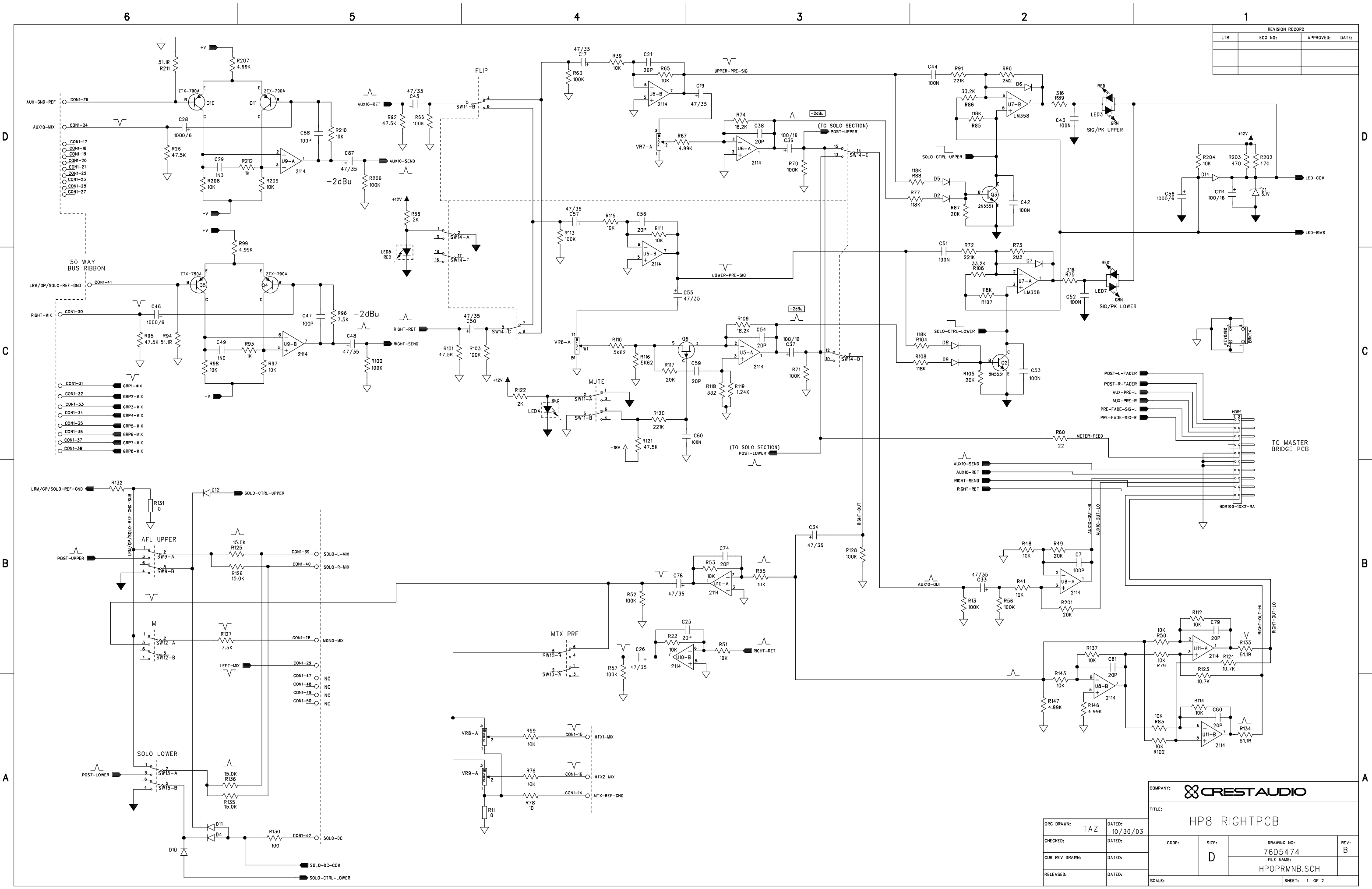


REVISION RECORD			
LTR	ECO NO:	APPROVED:	DATE:

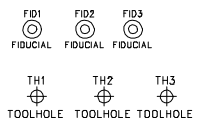
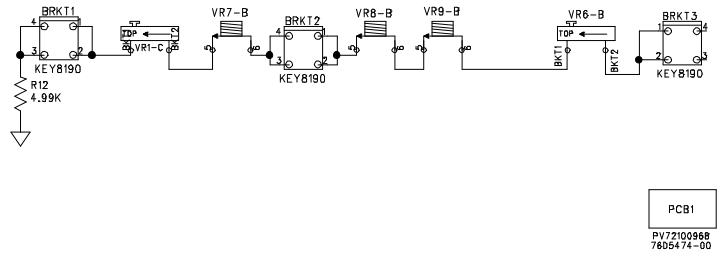
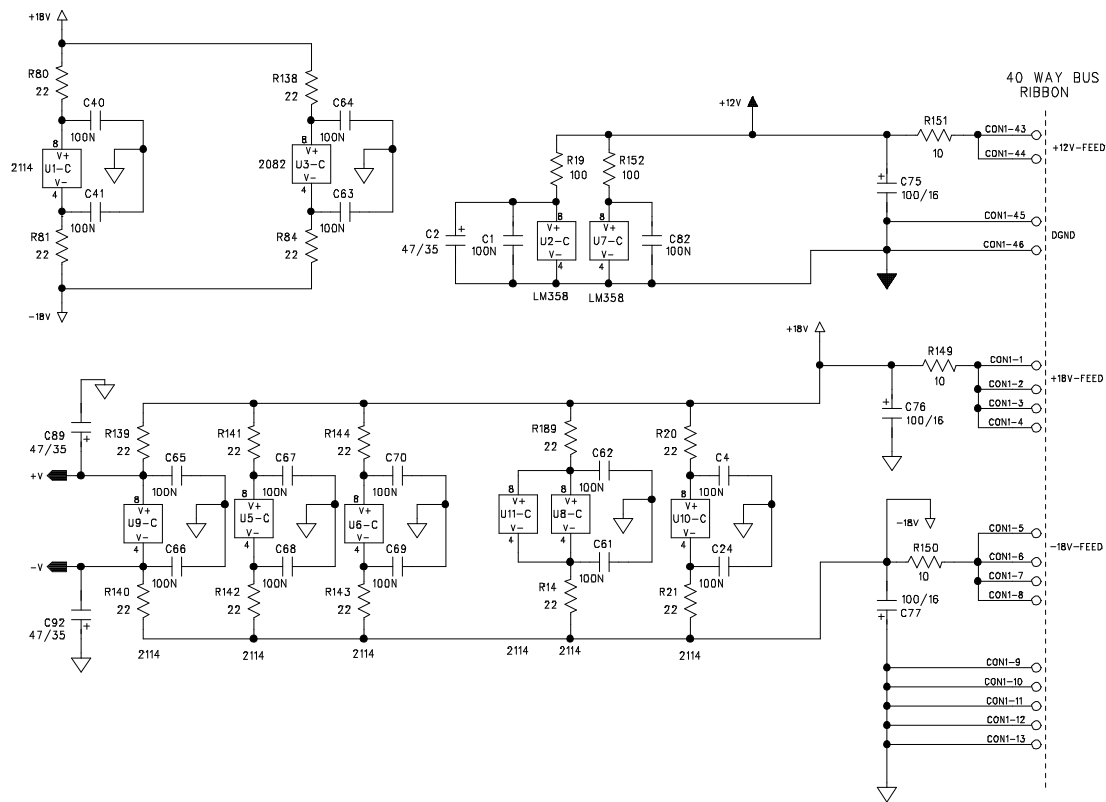
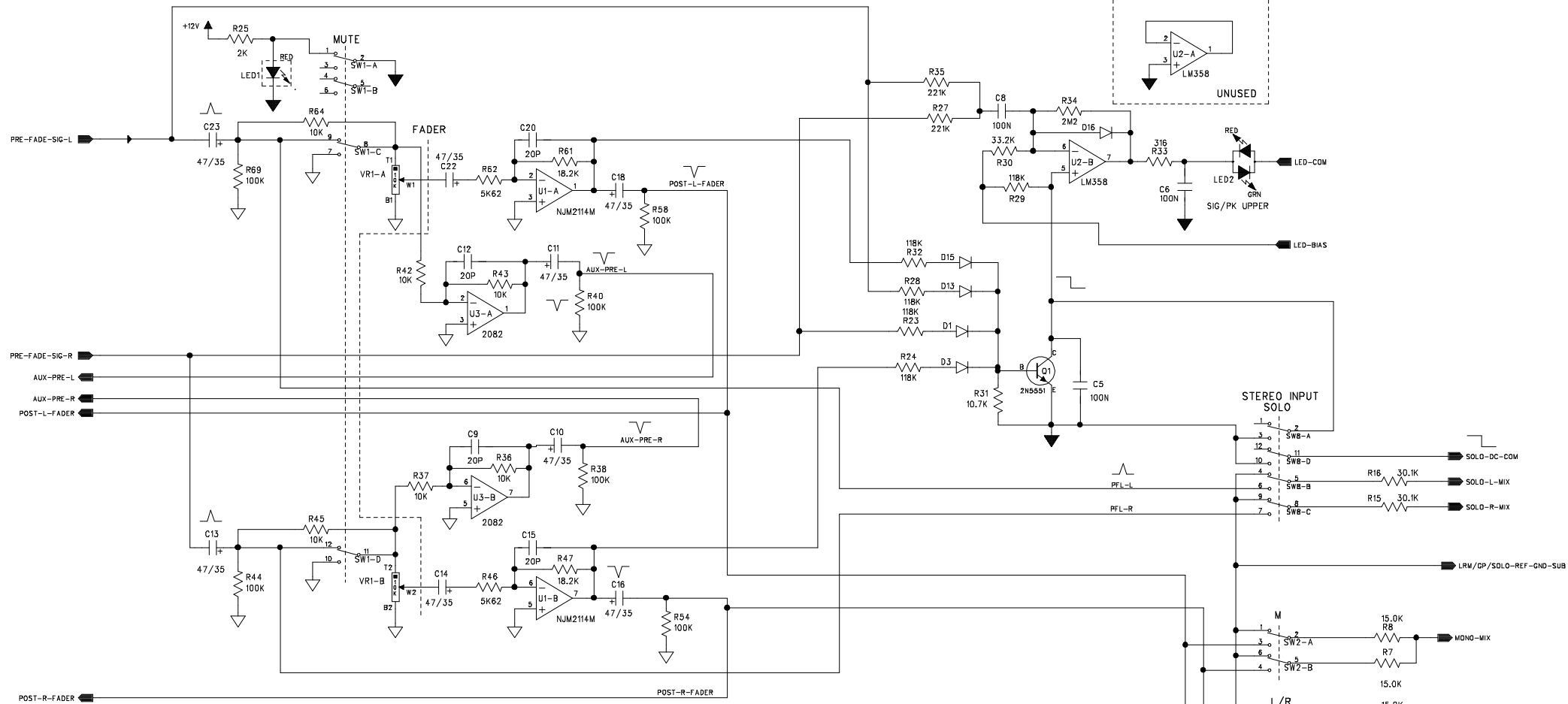


COMPANY: **CRESTAUDIO**

TITLE: **HP8 RIGHT PCB**

ORG DRAWN: TAZ	DATED: 10/30/03	CODE: D	SIZE: 76D5474	REV: B
CUR REV DRAWN:	DATED:	FILE NAME: HPOPRMNB.SCH	DRAWING NO: 76D5474	
RELEASED:	DATED:	SHEET: 1 OF 2		SCALE:

REVISION RECORD			
LTR	ECO NO:	APPROVED:	DATE:



PCB1  
PV72100968  
7805474-00

ORG DRAWN: TAZ	DATED: 10/30/03
CHECKED:	DATED:
CLUR REV DRAWN:	DATED:
RELEASED:	DATED:

COMPANY: **CRESTAUDIO**

TITLE: **HP8 RIGHT PCB**

CODE: D	SIZE: D	DRAWING NO: 76D5474	REV: B
FILE NAME: HPOPRMNB.SCH		SCALE: SHEET: 2 OF 2	

6

5

4

3

2

1

REVISION RECORD			
LTR	ECO NO:	APPROVED:	DATE:

REVISION RECORD					
REV LEVEL	ASMBLY LEVEL	DATE	ECO	ENG.	DESCRIPTION
A	A	9/03		TAZ	PROTOTYPE PCB
B	A	10/29/03		TAZ	PCB REVISION FROM A TO B MOVED ALL SWITCHES UP BY 0.060" TO USE NEW SWITCH CAPS SO AS SAME HEIGHT AS SWITCHES ON INPUT MODULES - INTERNAL WORKING LEVEL CHANGE FROM +4dBu TO -2dBu CHANGE R74 FROM 30.1K TO 16K2 CHANGE R109 FROM 33K2 TO 18K25 CHANGE R87, R105 FROM 10K7 TO 20K CHANGE R49, R201 FROM 10K TO 20K CHANGE C7 FROM 100pF TO 39 pF CHANGE R125, R126, R136, R135 FROM 30.1K TO 15K CHANGE R127 FROM 15K TO 7K5 CHANGE R112, R114 FROM 4K99 TO 10K CHANGE R123, R124 FROM 5K62 TO 10.7K - MUTE TRIM CHANGE R118 FROM 499R TO 187R - REMOVE GLITCH THAT OCCURRS WHEN SOLO SWITCH RELEASED ADD C3 AND C27 (100nF)
B	A	1/20/04		TAZ	PCB REVISION FROM B TO 00 - PRODUCTION RELEASE - REMOVE C3 AND C27 (100nF) - CAUSING GLOBAL SOLO GLITCHING - MUTE TRIM CHANGE R118 FROM 187R TO 332R CHANGE R119 FROM 2K TO 1.24K

D

C

B


A

D

C

B

A

ORG DRAWN: TAZ		DATED: 10/30/03		COMPANY: 	
CHECKED:		DATED:		TITLE: HP8 RIGHT PCB	
CUR REV DRAWN:		DATED:		CODE:	SIZE: D
RELEASED:		DATED:		DRAWING NO: 76D5474	REV: B
SCALE:				FILE NAME: HPOPRMNB.SCH	
				SHEET: 1 OF	