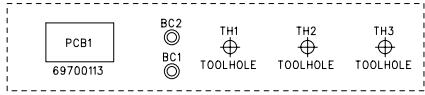
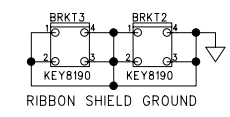
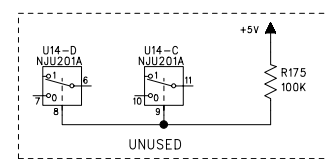
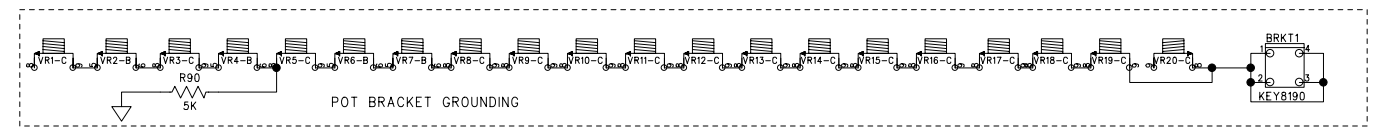
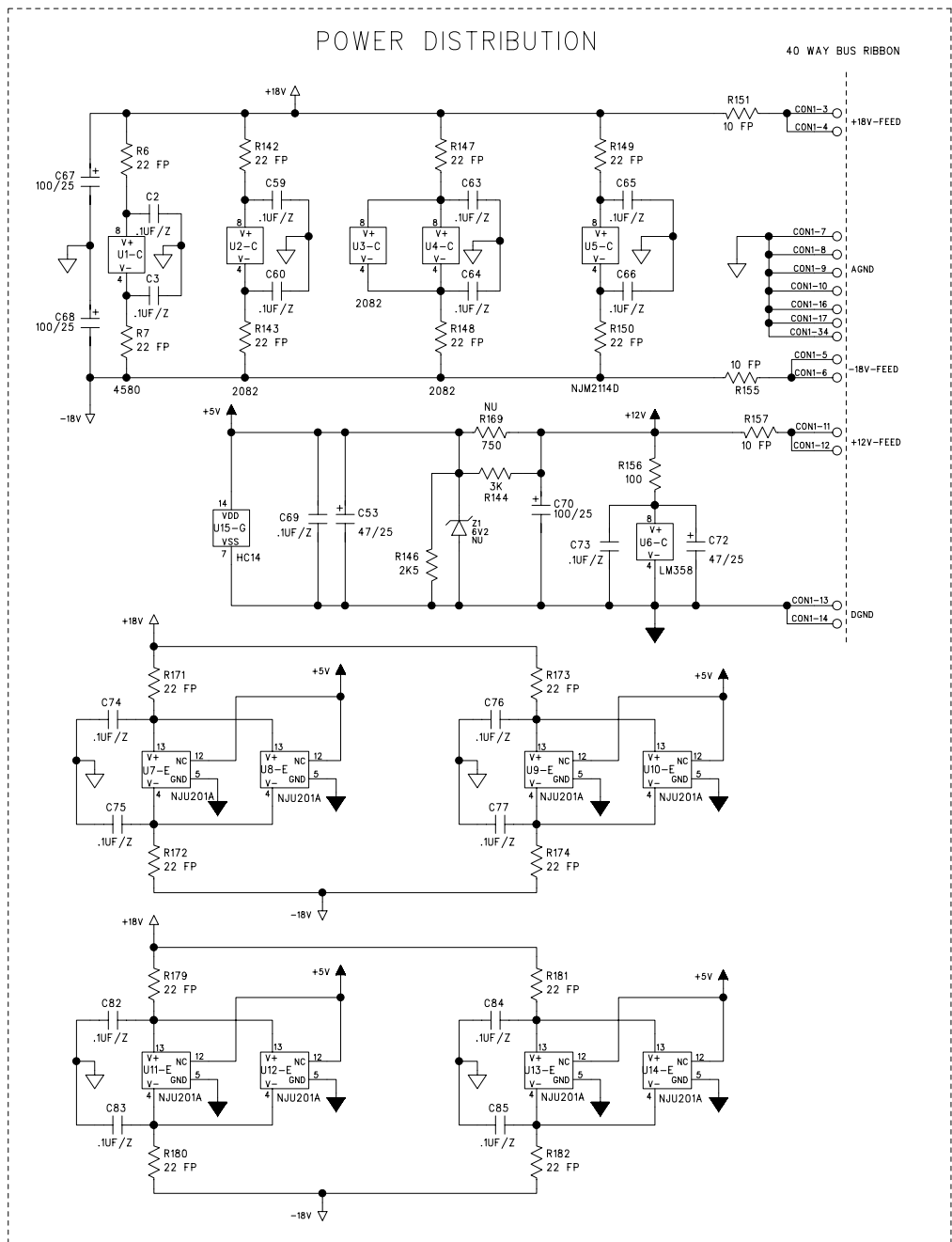
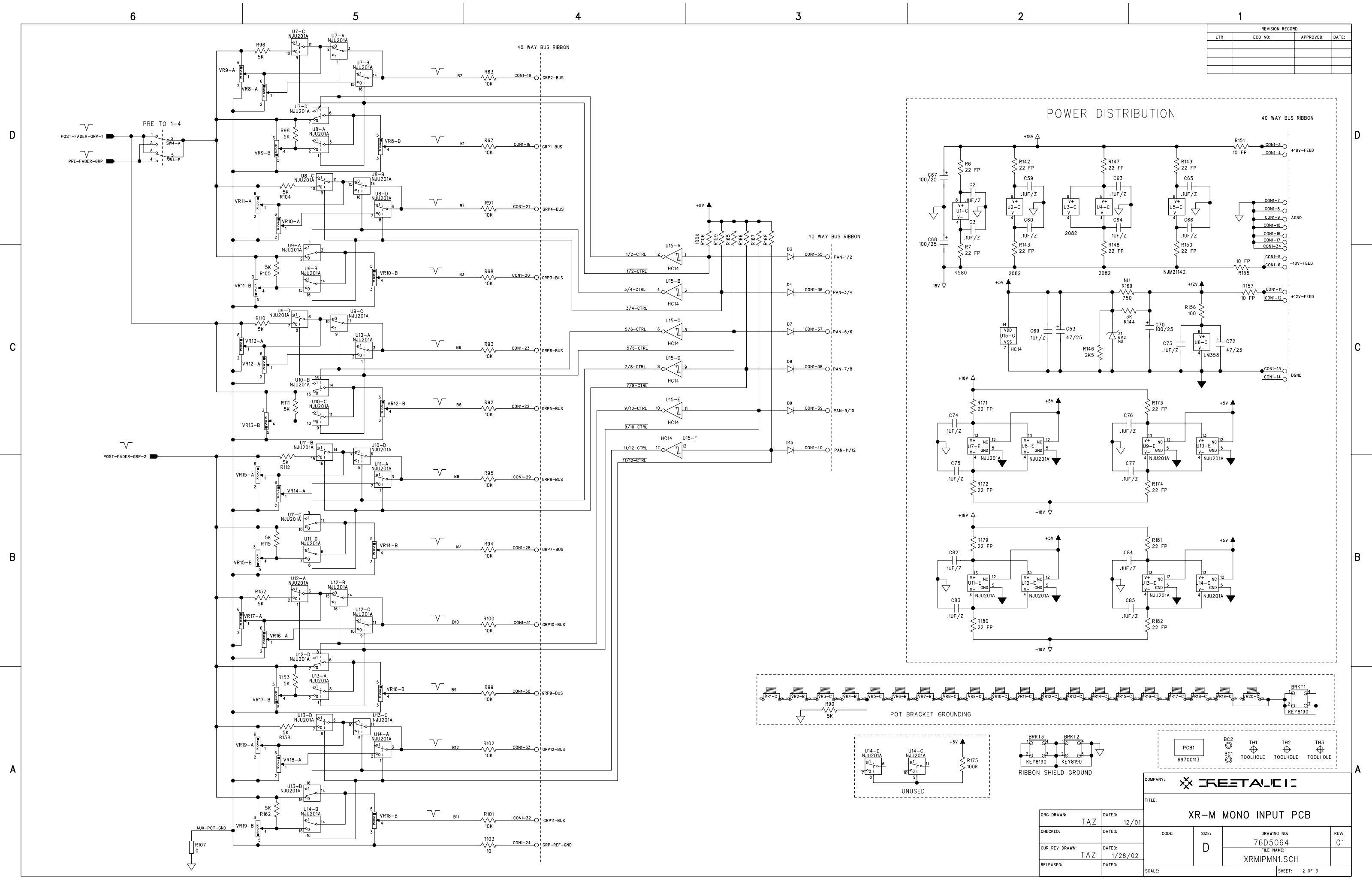


REVISION RECORD			
LTR	ECO NO.	APPROVED:	DATE:

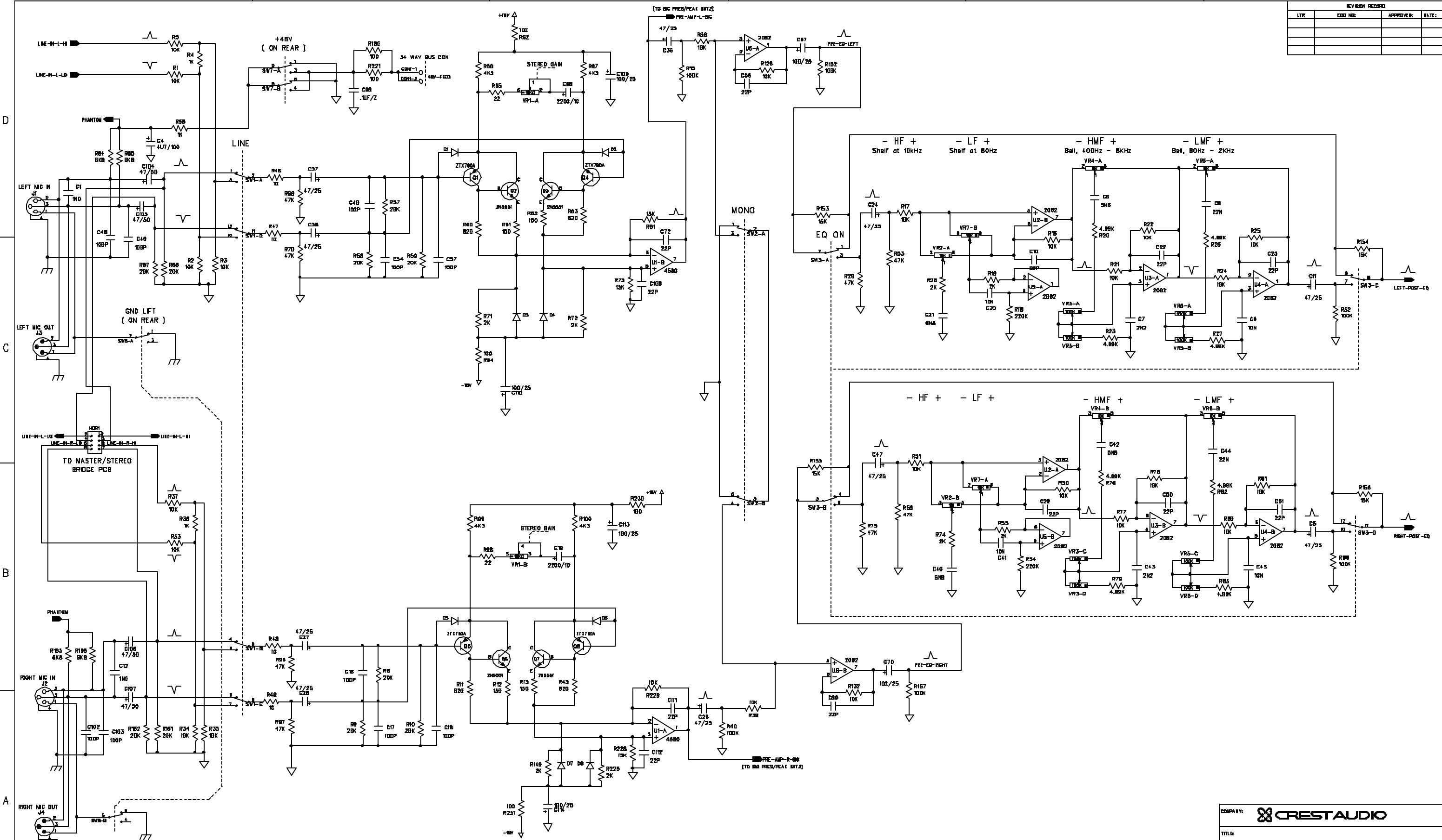


COMPANY: **PRETALIC**

TITLE: **XR-M MONO INPUT PCB**

ORG DRAWN: TAZ	DATED: 12/01	CODE: D	SIZE: D	DRAWING NO: 76D5064	REV: 01
CHECKED: TAZ	DATED: 1/28/02	FILE NAME: XRMIPMN1.SCH	SHEET: 2 OF 3		

REVISON RECORD			
LT#	CO#	APPROVE#	DATE

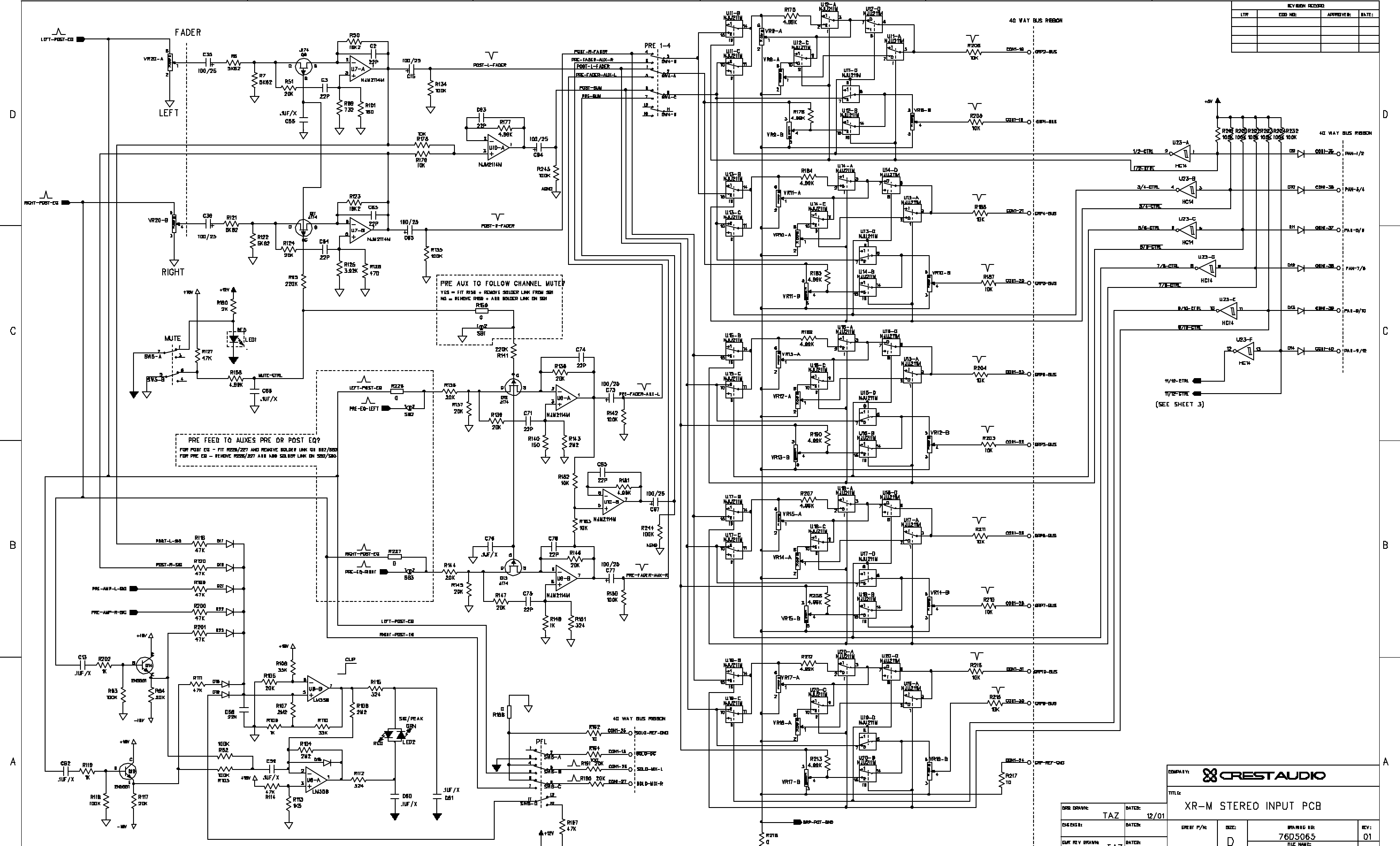


COMPANY: **CRESTAUDIO**

TITLE: **XR-M STEREO INPUT PCB**

DRW DRAWN: TAZ	DATE: 12/01	CRE BY P/NE: D	DZC: D	DRAWING NO: 76D5065	REV: 01
CHEKKS BY: TAZ	DATE: 1/28/02			FILE NAME: XRMISMN1.SCH	
DATE REV DRAWN: TAZ	DATE: 1/28/02	RELEASED:	DATE:	SHEET: 1 OF 3	

REV BOM RECORD			
LTR	EQD MDE	APPROVER	DATE



PRE AUX TO FOLLOW CHANNEL MUTE
 YES - FIT R158 + REMOVE SOLDER LINK FROM S81
 NO - REMOVE R158 + ADD SOLDER LINK ON S81

PRE FEED TO AUXES PRE OR POST EQ?
 FOR POST EQ - FIT R228/227 AND REMOVE SOLDER LINK ON S82/S83
 FOR PRE EQ - REMOVE R228/227 AND ADD SOLDER LINK ON S82/S83

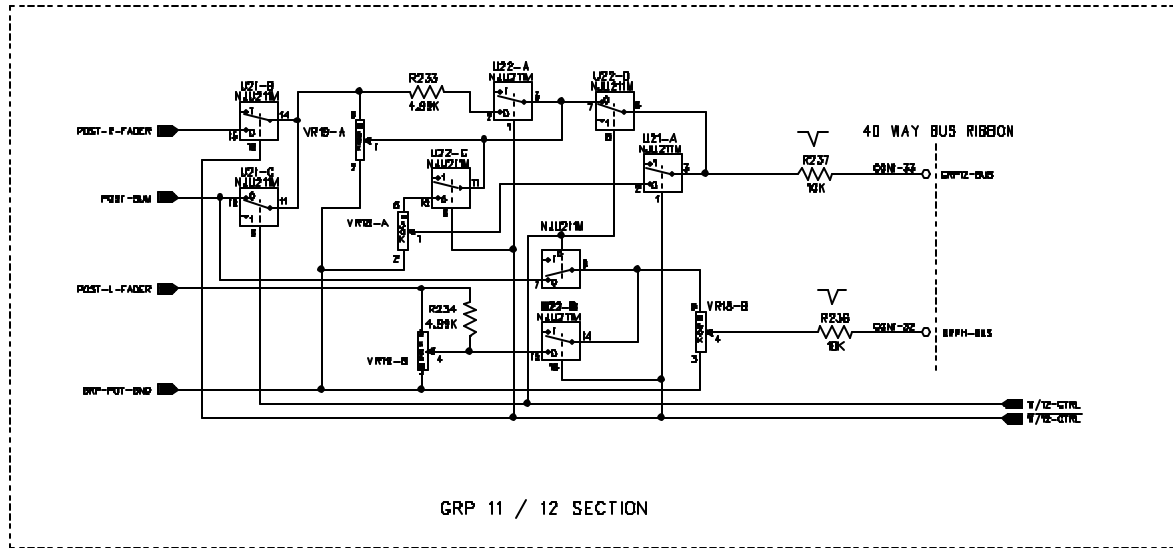


TITLE: XR-M STEREO INPUT PCB

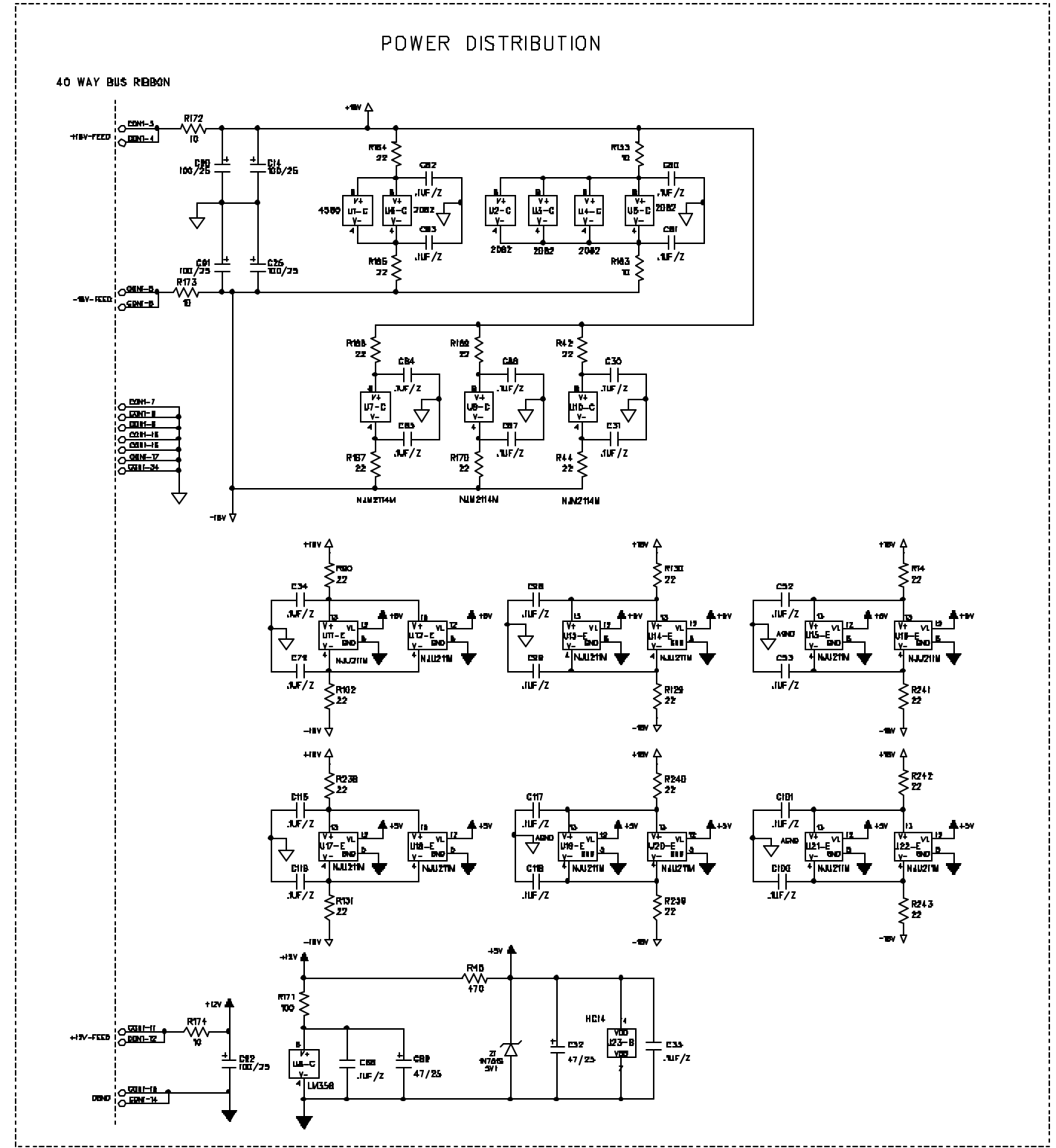
DRW: TAZ	DATE: 12/01
CHEK: TAZ	DATE: 1/28/02
REV: TAZ	DATE: 1/28/02
REL: TAZ	DATE: 1/28/02

COMPANY: CRESTAUDIO	REV: 01
DATE: 12/01	REV: 01
FILE NAME: XRMISMN1.SCH	REV: 01
DATE: 1/28/02	REV: 01
DATE: 1/28/02	REV: 01

REVISION RECORD			
LYR	ECO NO	APPROVER	DATE

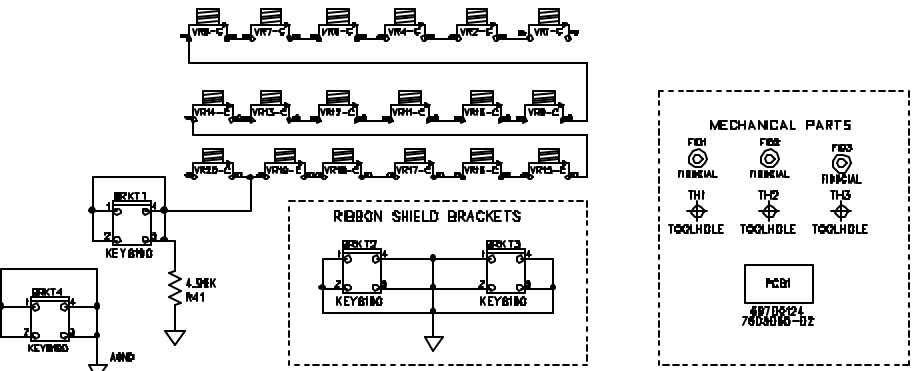


GRP 11 / 12 SECTION



POWER DISTRIBUTION

40 WAY BUS RIBBON



MECHANICAL PARTS

F01	F02	F03
PINNAIL	PINNAIL	PINNAIL
T01	T02	T03
TOOLHOLE	TOOLHOLE	TOOLHOLE

PCB1
8870824
7603010-D2

REVISION RECORD					
REV LEVEL	ASMBLY LEVEL	DATE	ECO	ENG.	DESCRIPTION
A	A	4/11		TAZ	FIRST PROTOTYPE PCB'S
00	A	11/27/01	4484	TAZ	COPPER REVISION FROM A TO 00 CHANGE POTENTIOMETERS TO 9/12 MM SERIES. RESISTOR TRIM CHANGES (FOR MUTE TRIMS) CHANGED FEMALE XLR'S TO DNE'S WITH LATCHES
00	B	1/28/02	4514	TAZ	VR13-B TERMINAL 5 AND 3 SWAPED, HAND MODIFICATION.
01	A	1/28/02		TAZ	COPPER REVISION FROM 00 TO 01 (PCB PART NUMBER FROM 687-114 CHANGE TO 687-119 FOR NEW REVISION) MUTE TRIM CHANGES AS FOLLOWS R101 FROM 120R (70200048) TO 180R (70200114) R125 FROM 7K15 (70200085) TO 3K92 (70200129) R128 FROM 392R (70200136) TO 470R (70200046) R143 FROM 270R (70200017) TO 2.2M (70200037) R148 FROM 470R (70200048) TO 1K (70200047) R151 FROM 470R (70200046) TO 3.30R (70200071) C40 AND C16 FROM 100 TO 100P/50 (SMT)

COMPANY: **CRESTAUDIO**

TITLE: **XR-M STEREO INPUT PCB**

DRW DRAWN: TAZ DATE: 12/01

CHEKKS: TAZ DATE: 1/28/02

EST REV DRAWN: TAZ DATE: 1/28/02

RELEASED: DATE:

QTY: D

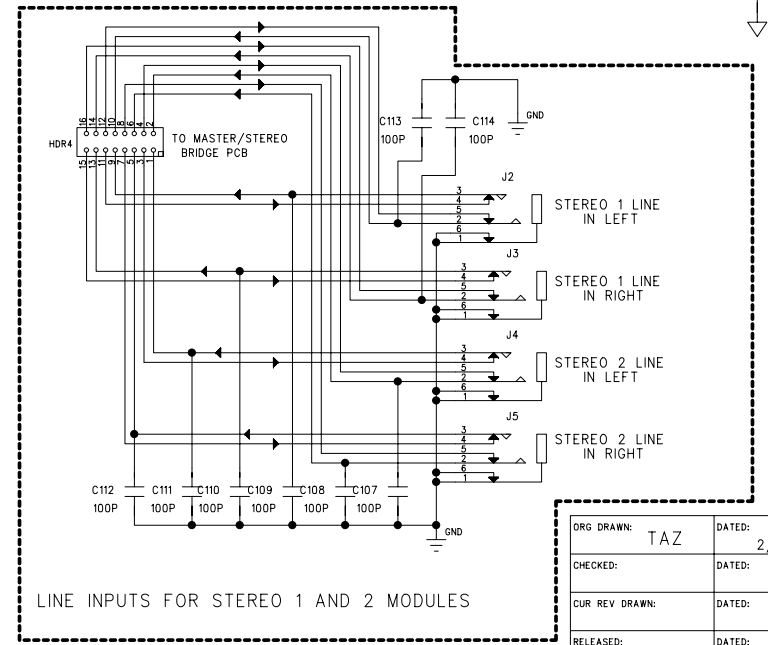
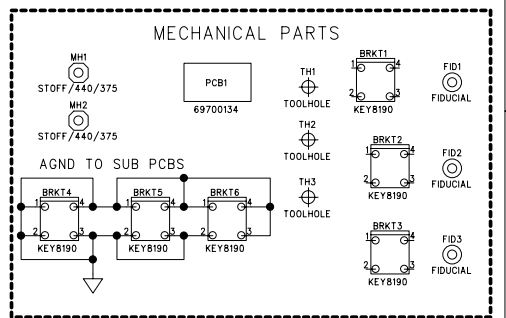
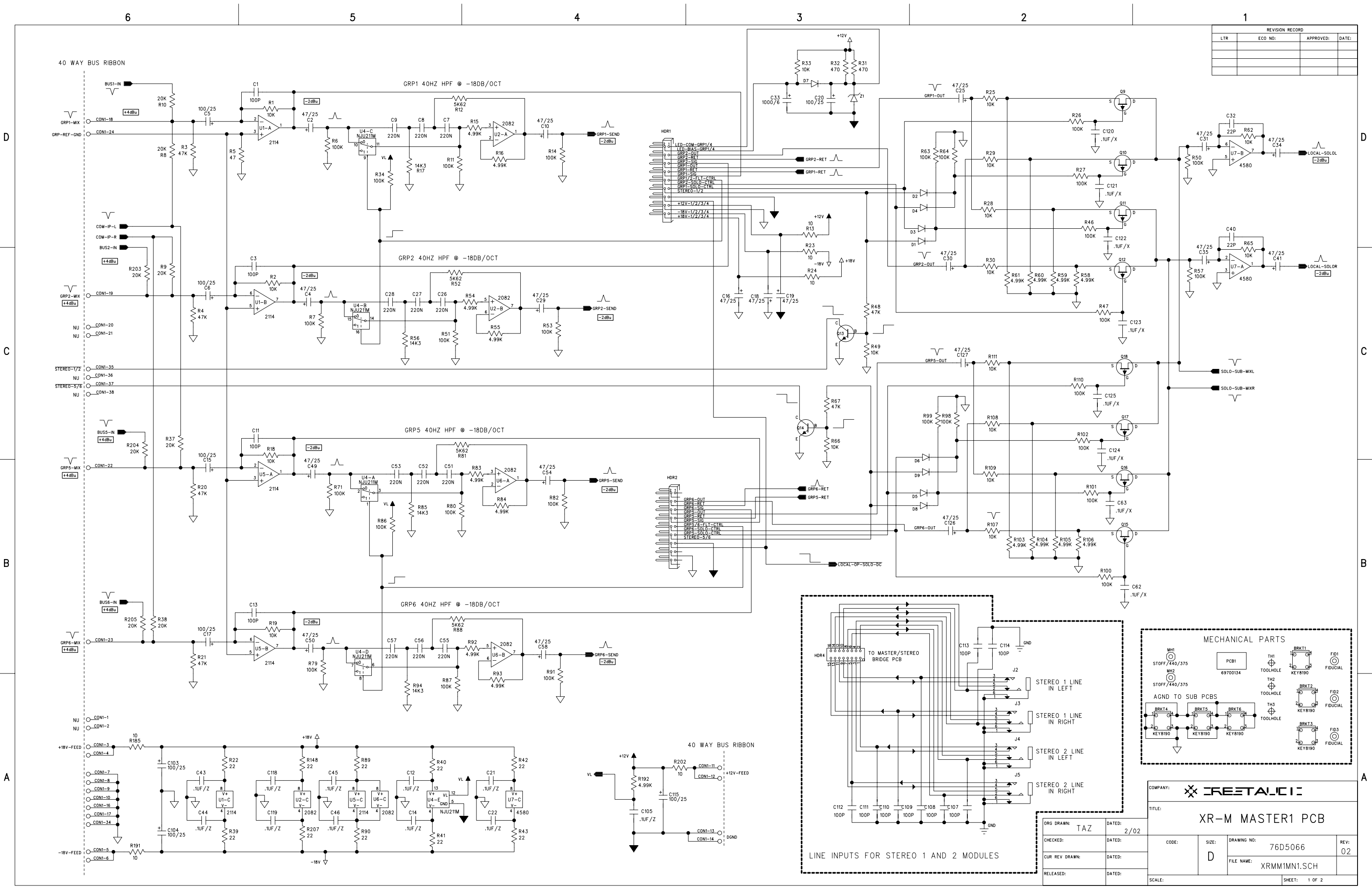
BRNWK ID: 7605065

FILE NAME: XRMISMN1.SCH

REV: 01

SHEET: 3 OF 3

REVISION RECORD			
LTR	ECO NO:	APPROVED:	DATE:



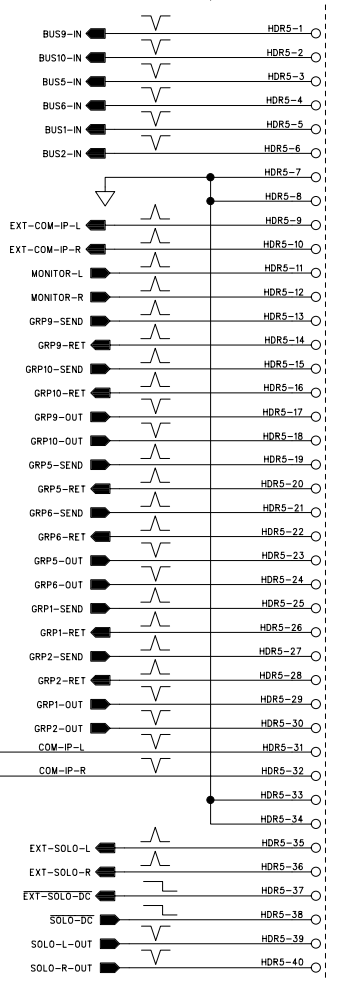
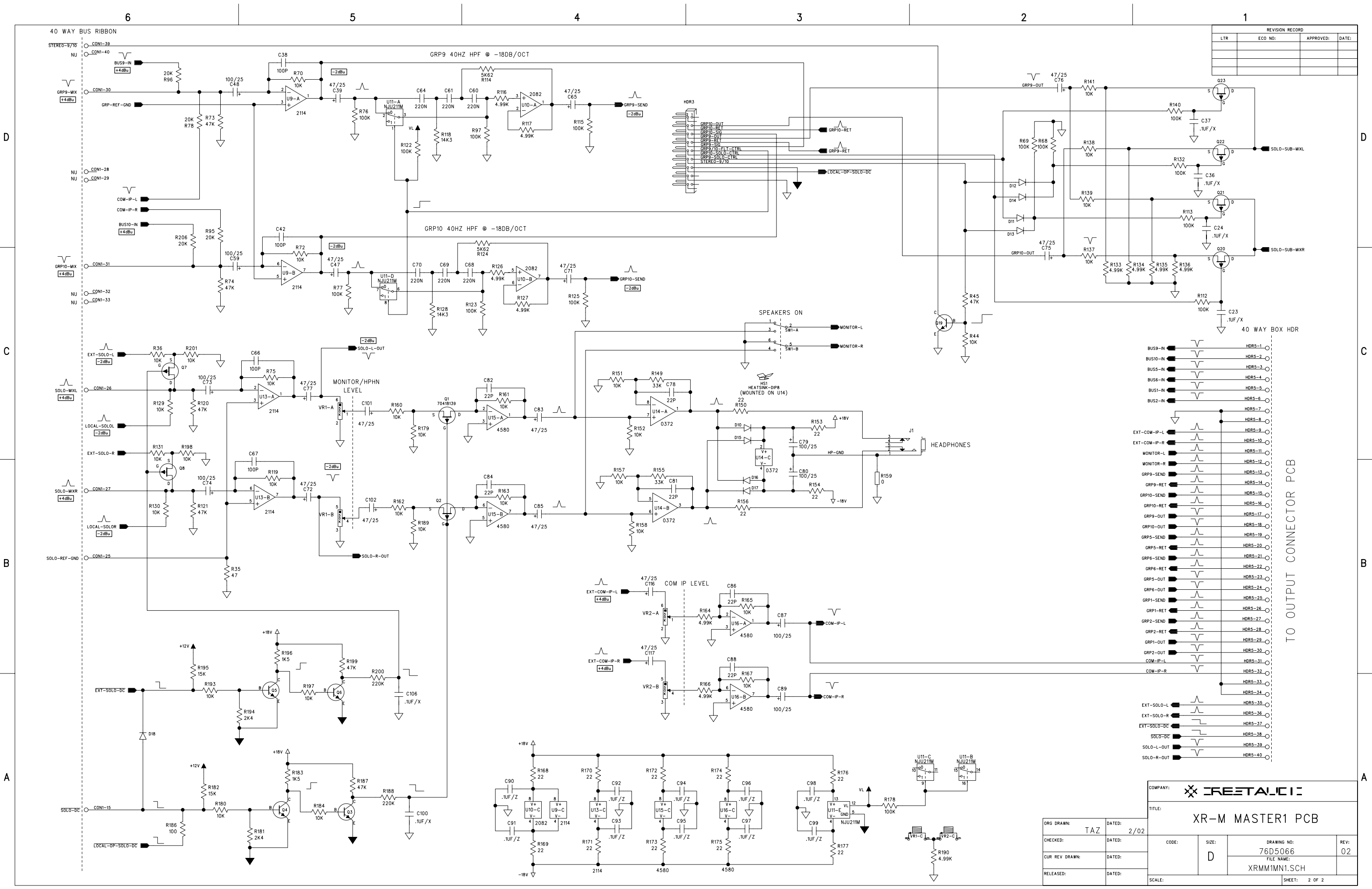
COMPANY: **IRETALIC**

TITLE: **XR-M MASTER1 PCB**

ORG DRAWN: TAZ	DATED: 2/02	CODE:	SIZE: D	DRAWING NO: 76D5066	REV: 02
CHECKED:	DATED:	CUR REV DRAWN:	DATED:	FILE NAME: XRM1MN1.SCH	
RELEASED:	DATED:				

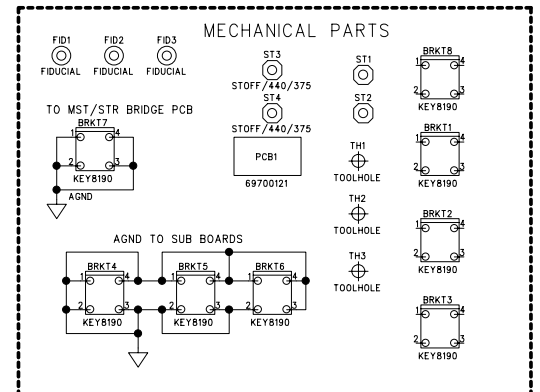
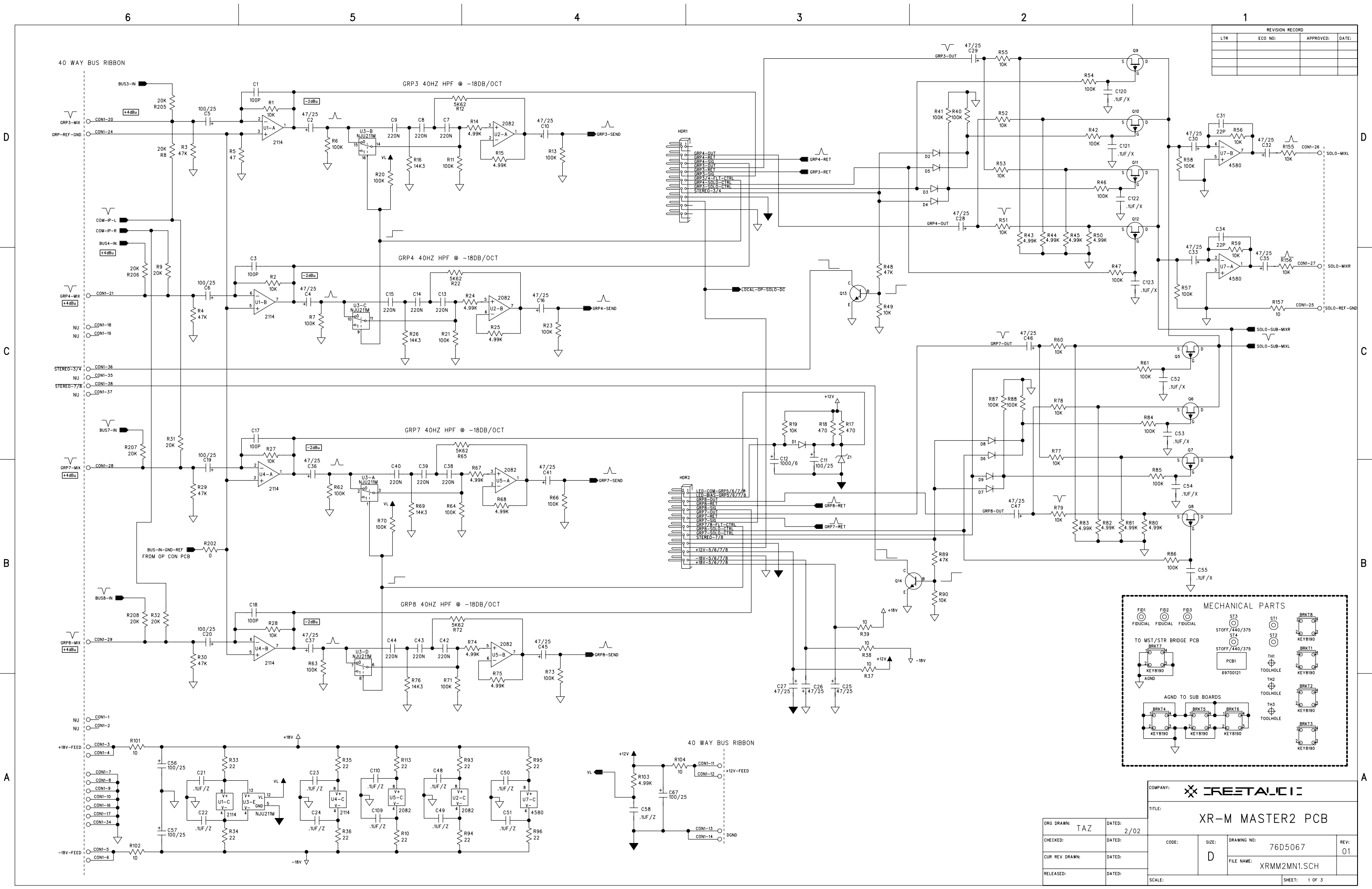
SCALE: SHEET: 1 OF 2

REVISION RECORD			
LTR	ECO NO:	APPROVED:	DATE:



COMPANY: CRETAALIC	
TITLE: XR-M MASTER1 PCB	
ORG DRAWN: TAZ	DATED: 2/02
CHECKED:	DATED:
CUR REV DRAWN:	DATED:
RELEASED:	DATED:
CODE: D	SIZE: 76D5066
DRAWING NO: 76D5066	REV: 02
FILE NAME: XRMM1MN1.SCH	SHEET: 2 OF 2

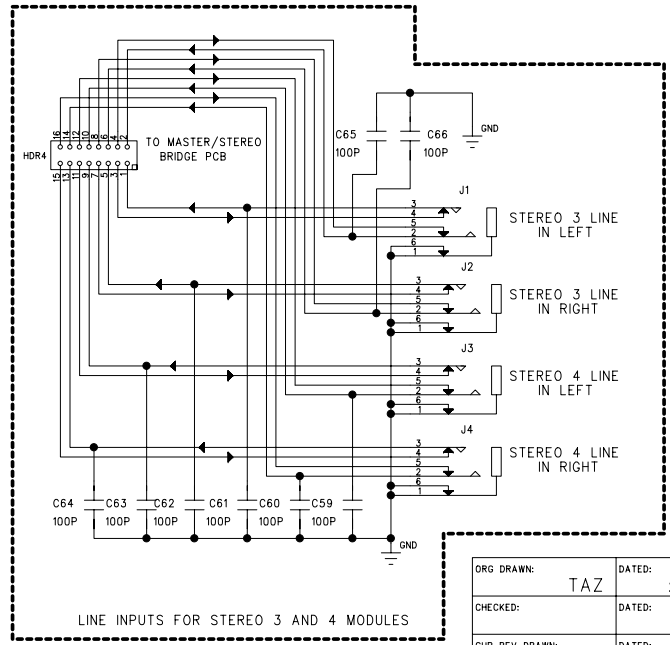
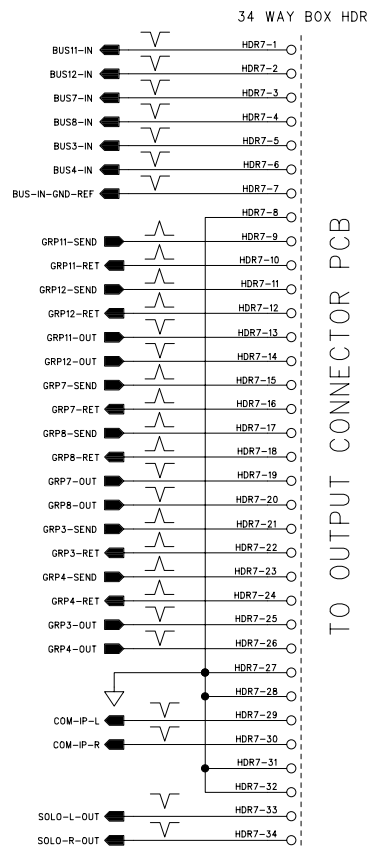
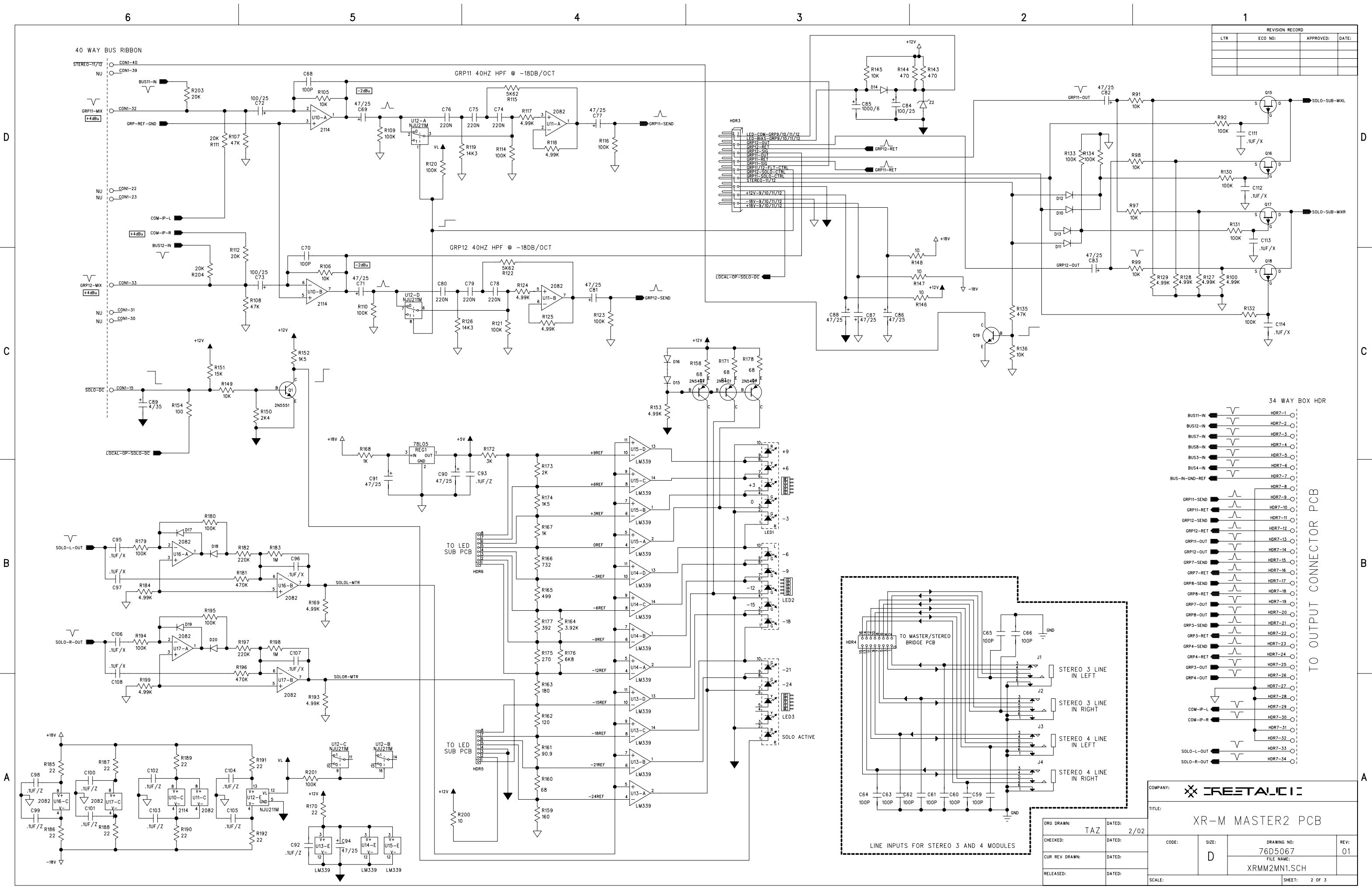
REVISION RECORD			
LTR	ECO NO:	APPROVED:	DATE:



COMPANY: CRETAULTIC	
TITLE: XR-M MASTER2 PCB	
ORG DRAWN: TAZ	DATED: 2/02
CHECKED:	DATED:
CUR REV DRAWN:	DATED:
RELEASED:	DATED:
CODE: D	SIZE: 76D5067
DRAWING NO: 76D5067	REV: 01
FILE NAME: XRM2M2N1.SCH	SHEET: 1 OF 3

ORG DRAWN: TAZ	DATED: 2/02
CHECKED:	DATED:
CUR REV DRAWN:	DATED:
RELEASED:	DATED:

REVISION RECORD			
LTR	ECO NO:	APPROVED:	DATE:



COMPANY: CRETAALIC		TITLE: XR-M MASTER2 PCB	
ORG DRAWN: TAZ	DATE: 2/02	CODE: D	SIZE: 76D5067
CUR REV DRAWN:	DATE:	DRAWING NO: 76D5067	REV: 01
RELEASED:	DATE:	FILE NAME: XRMM2MN1.SCH	SHEET: 2 OF 3

6

5

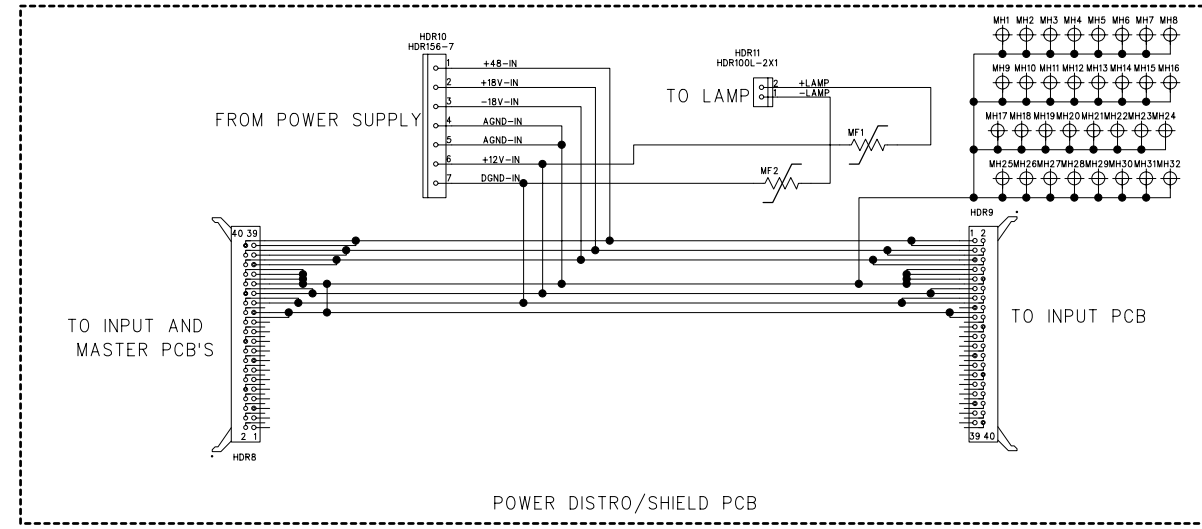
4

3

2

1

REVISION RECORD			
LTR	ECO NO:	APPROVED:	DATE:



D

D

C

C

B

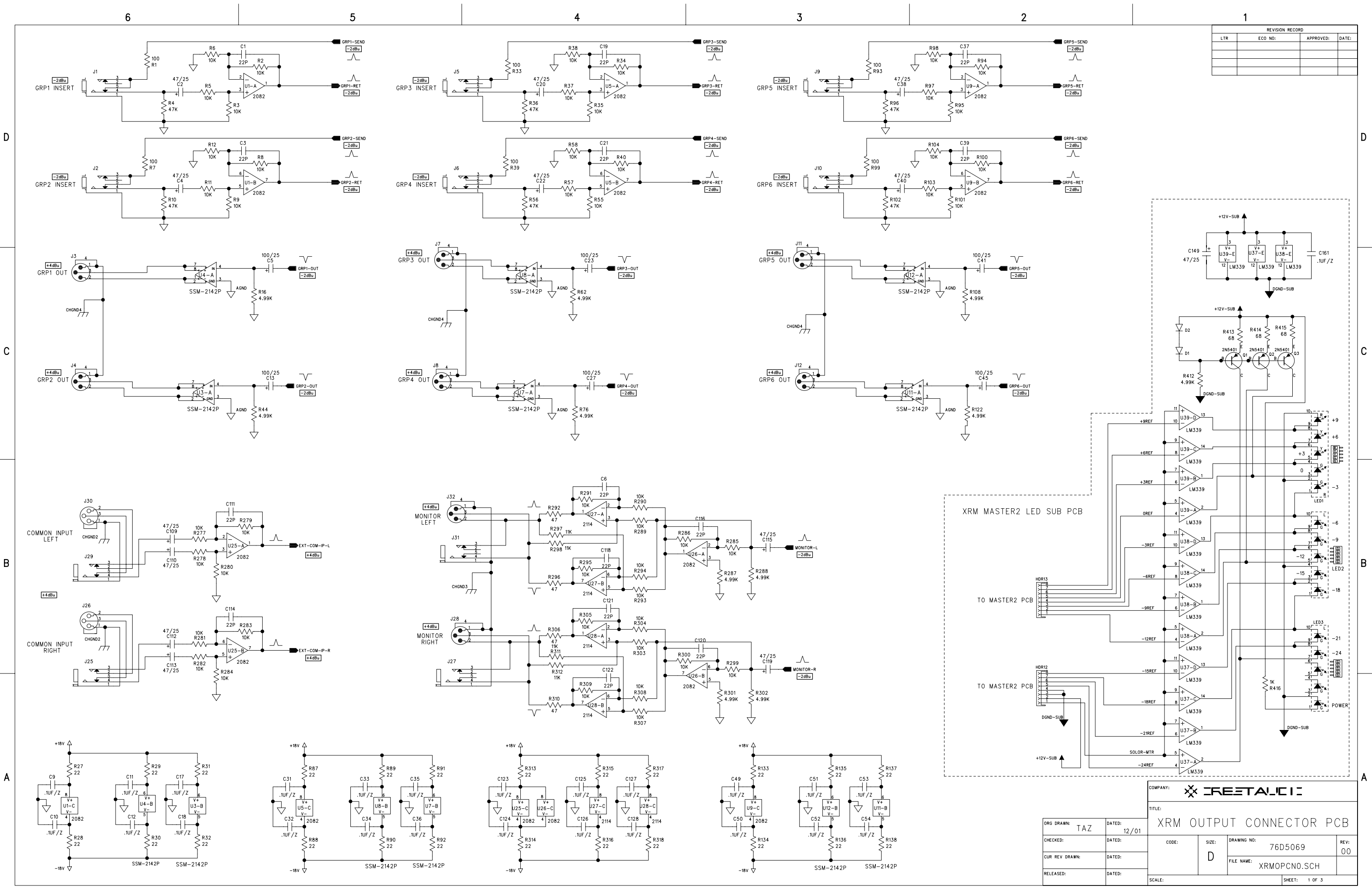
B

A

A

ORG DRAWN: TAZ		DATED: 2/02		COMPANY:	
CHECKED:		DATED:		TITLE: XR-M MASTER2 PCB (BUS SHIELD/POWER DISTRIBUTION PCB)	
CUR REV DRAWN:		DATED:		CODE: D	SIZE: D
RELEASED:		DATED:		DRAWING NO: 76D5067 FILE NAME: XRMM2MN1.SCH	
SCALE:				REV: 01	
SHEET: 3 OF 3					

REVISION RECORD			
LTR	ECO NO:	APPROVED:	DATE:



COMPANY: **CRETAALIC**

TITLE: **XRM OUTPUT CONNECTOR PCB**

ORG DRAWN: TAZ DATED: 12/01

CHECKED: DATED:

CUR REV DRAWN: DATED:

RELEASED: DATED:

CODE: D

SIZE: D

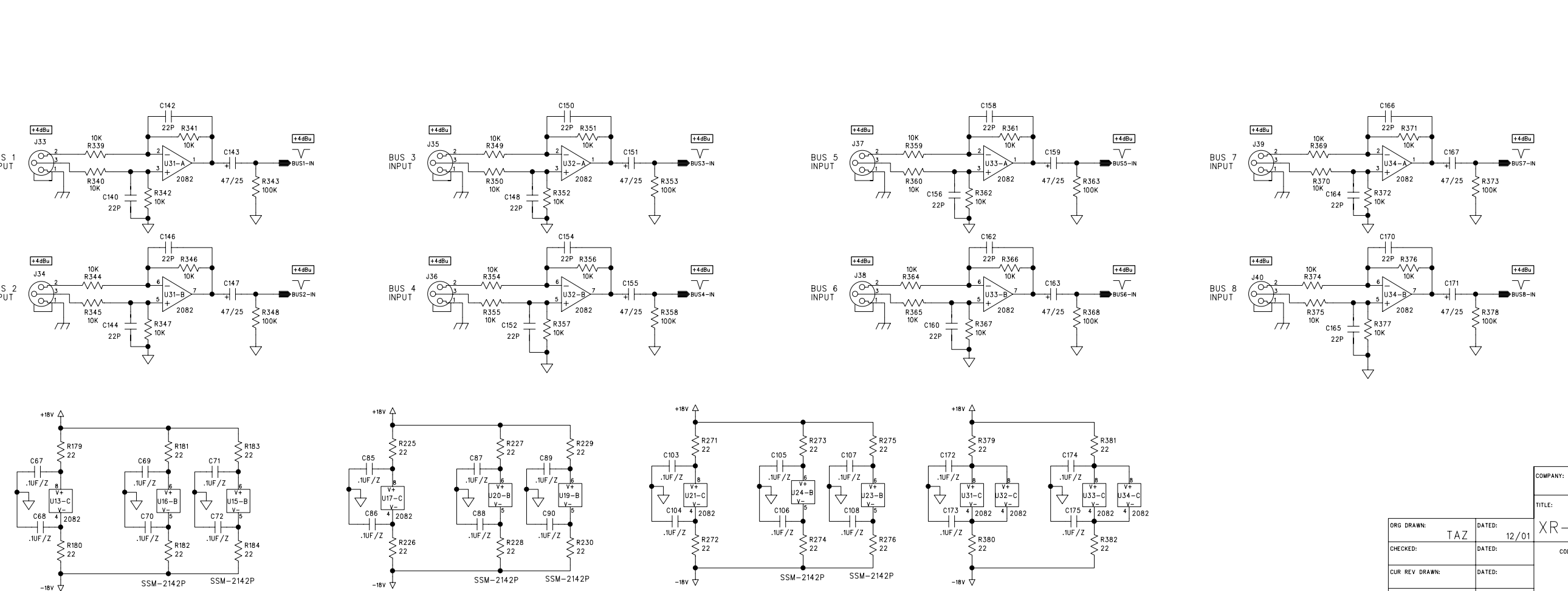
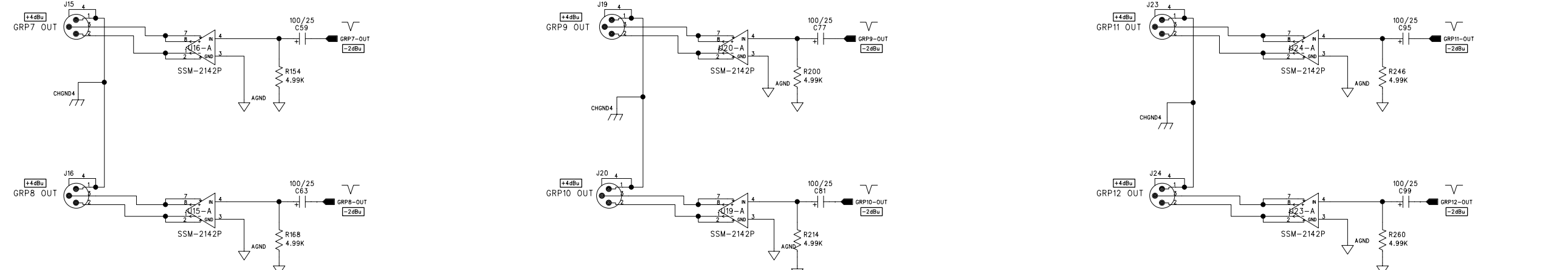
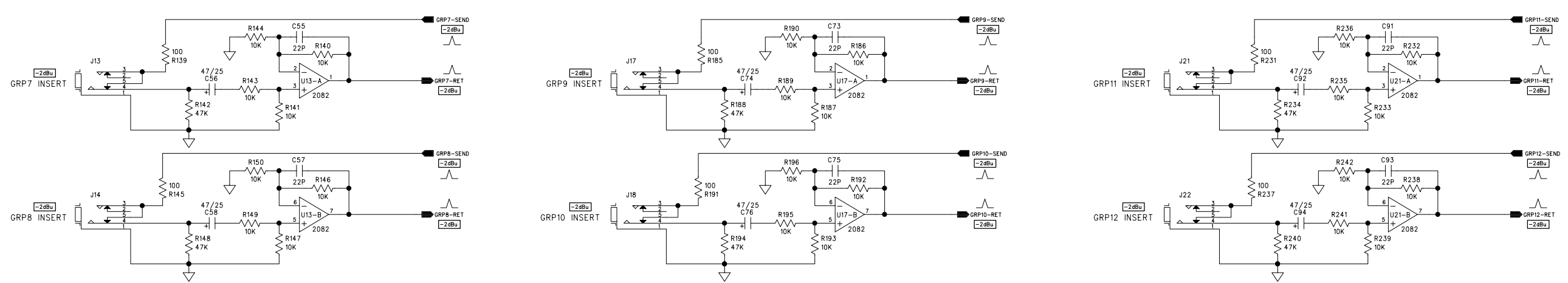
DRAWING NO: 76D5069

FILE NAME: XRMOPCN0.SCH

REV: 00

SCALE: SHEET: 1 OF 3

REVISION RECORD			
LTR	ECO NO:	APPROVED:	DATE:



COMPANY: **CRETAULTIC**

TITLE: **XR-M OUTPUT CONNECTOR PCB**

ORG DRAWN: TAZ	DATED: 12/01	DRAWING NO: 76D5069	REV: 00
CUR REV DRAWN:	DATED:		
RELEASED:	DATED:	FILE NAME: XRM0PCN0.SCH	SCALE:

SHEET: 2 OF 3

6

5

4

3

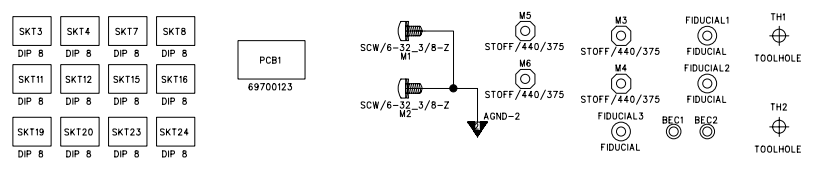
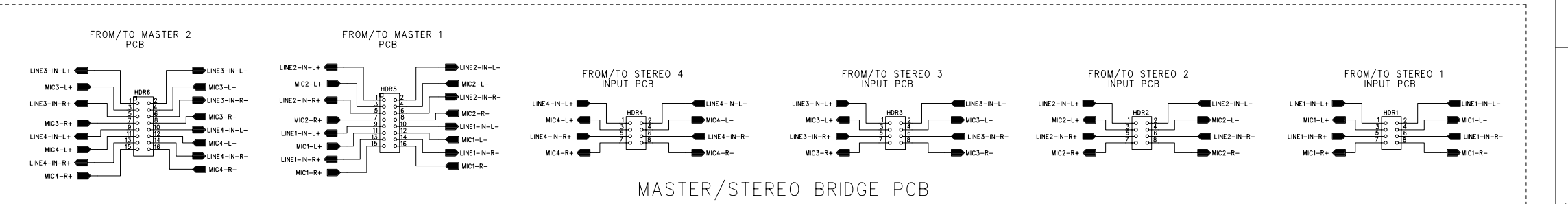
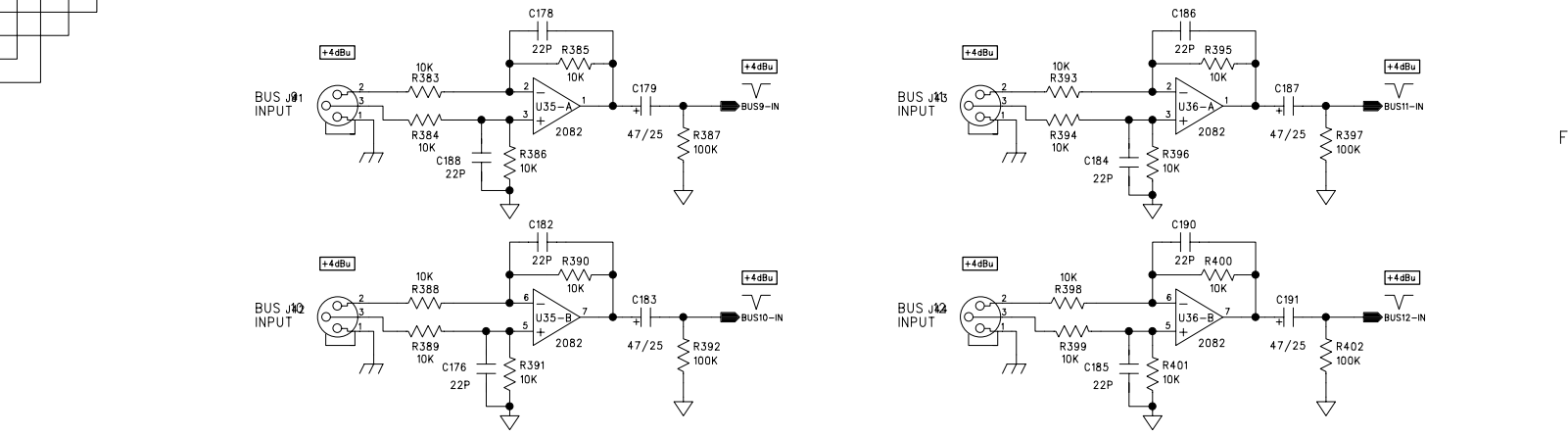
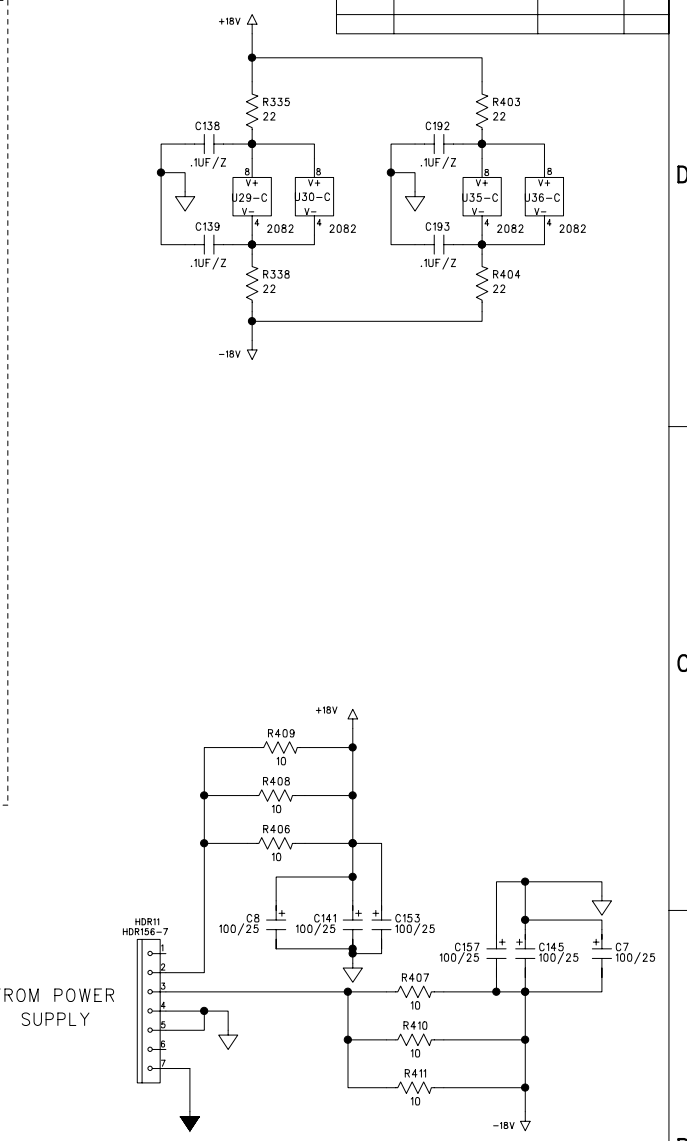
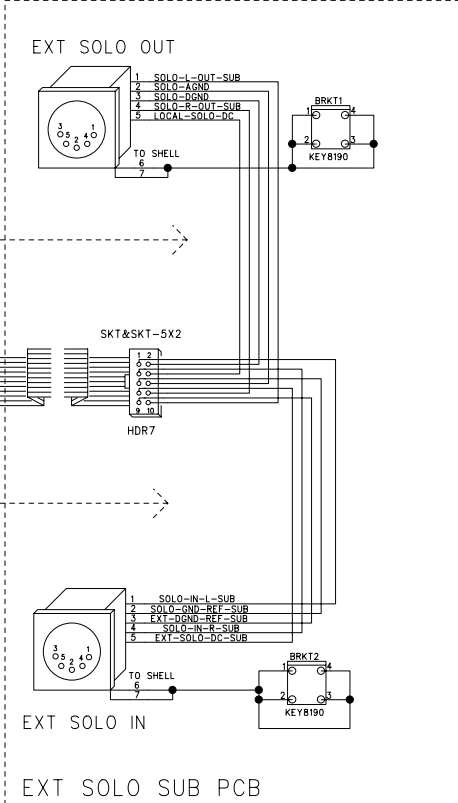
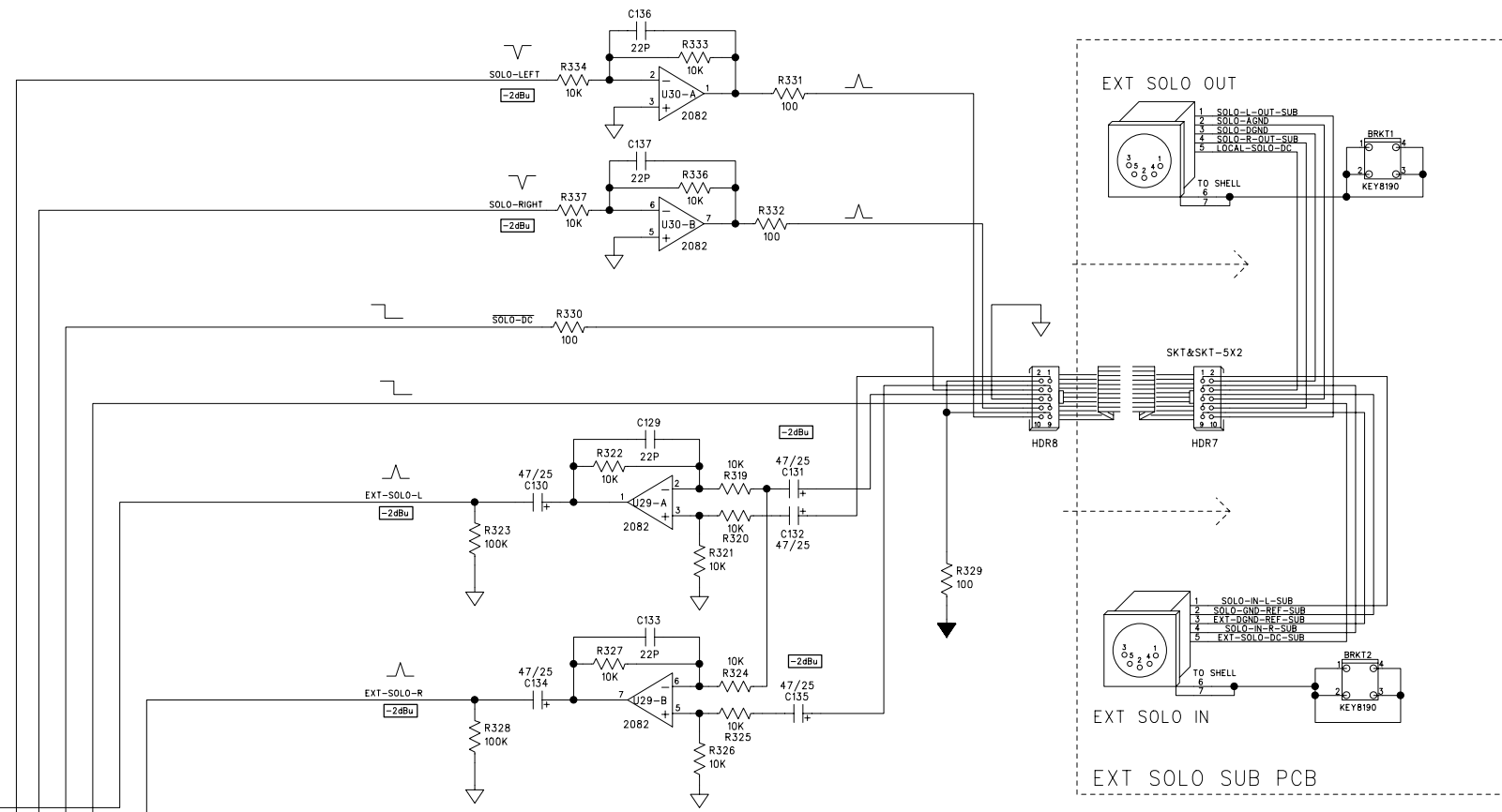
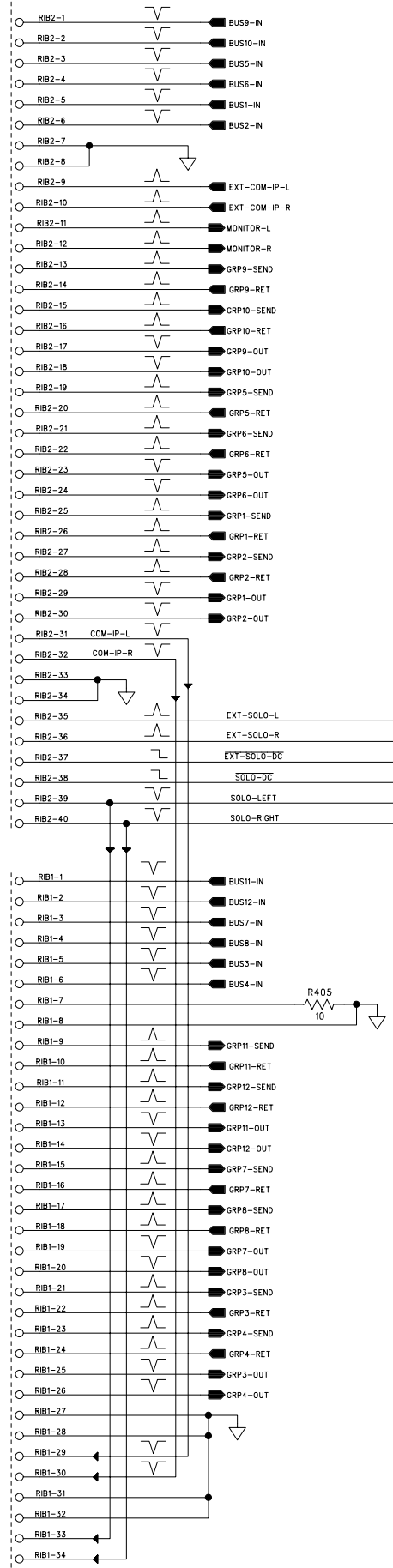
2

1

REVISION RECORD			
LTR	ECO NO:	APPROVED:	DATE:

40 WAY RIBBON ASSY TO MASTER 1 PCB

34 WAY RIBBON ASSY TO MASTER 2 PCB

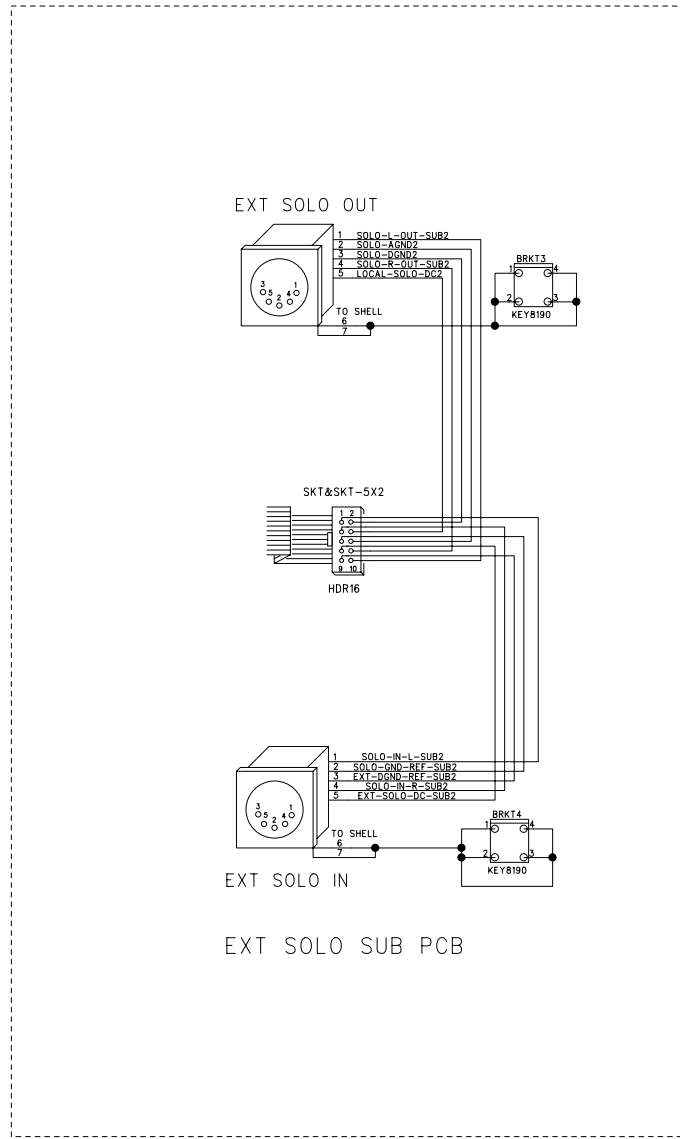
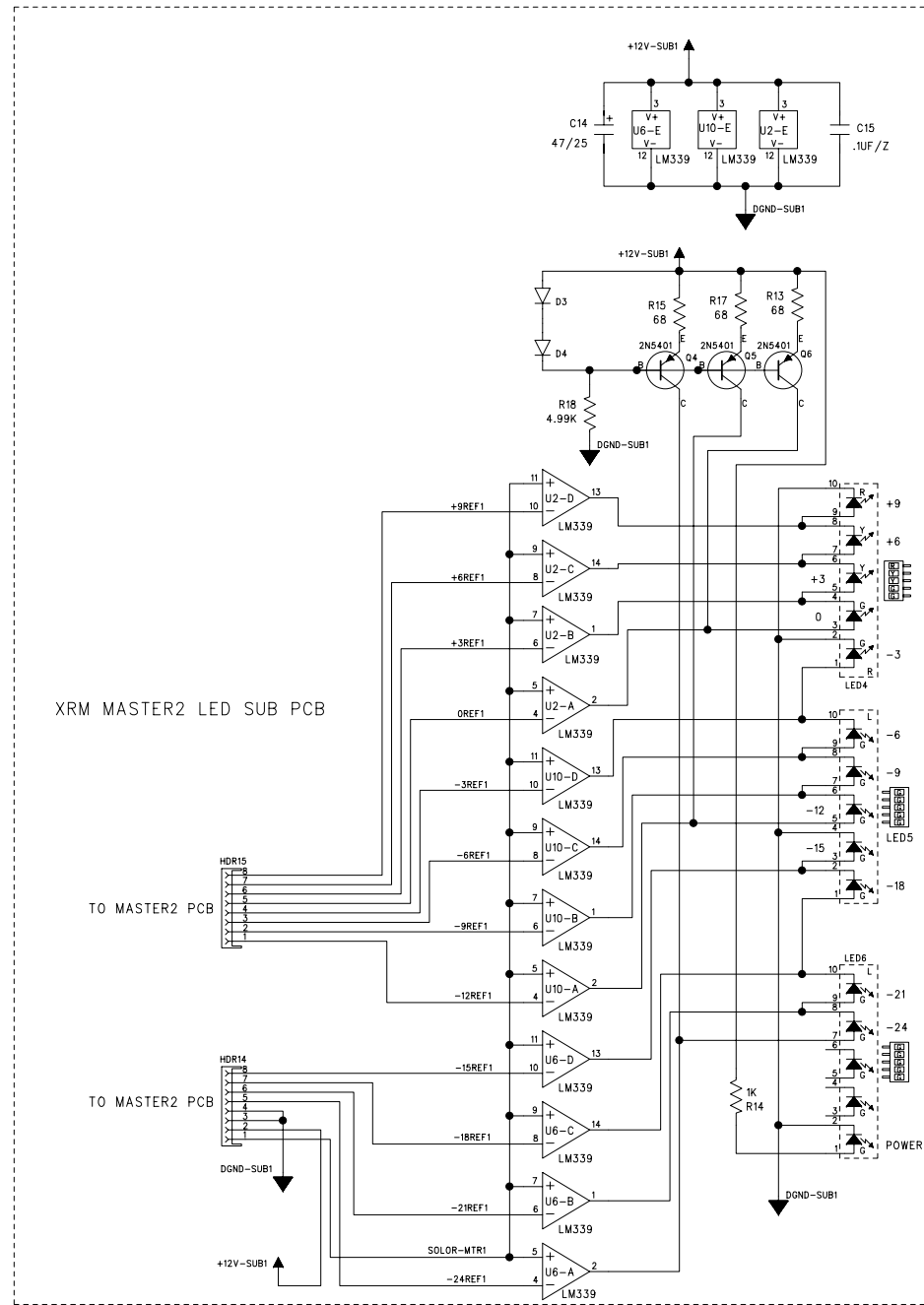


ORG DRAWN: TAZ		DATED: 12/01	
CHECKED:	DATED:	CODE:	SIZE: D
CUR REV DRAWN:	DATED:	DRAWING NO: 76D5069	
RELEASED:	DATED:	FILE NAME: XRMOPCN0.SCH	
SCALE:		SHEET: 3 OF 3	

COMPANY: **CRETALIC**

TITLE: **XR-M OUTPUT CONNECTOR PCB**

REVISION RECORD			
LTR	ECO NO:	APPROVED:	DATE:



XRM MASTER2 LED SUB PCB

TO MASTER2 PCB

TO MASTER2 PCB

EXT SOLO OUT

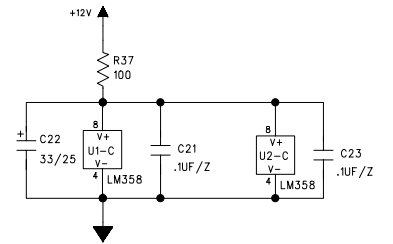
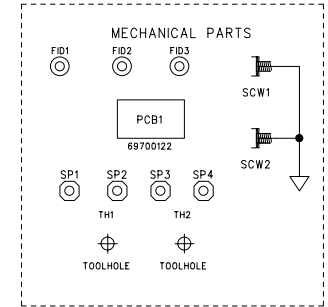
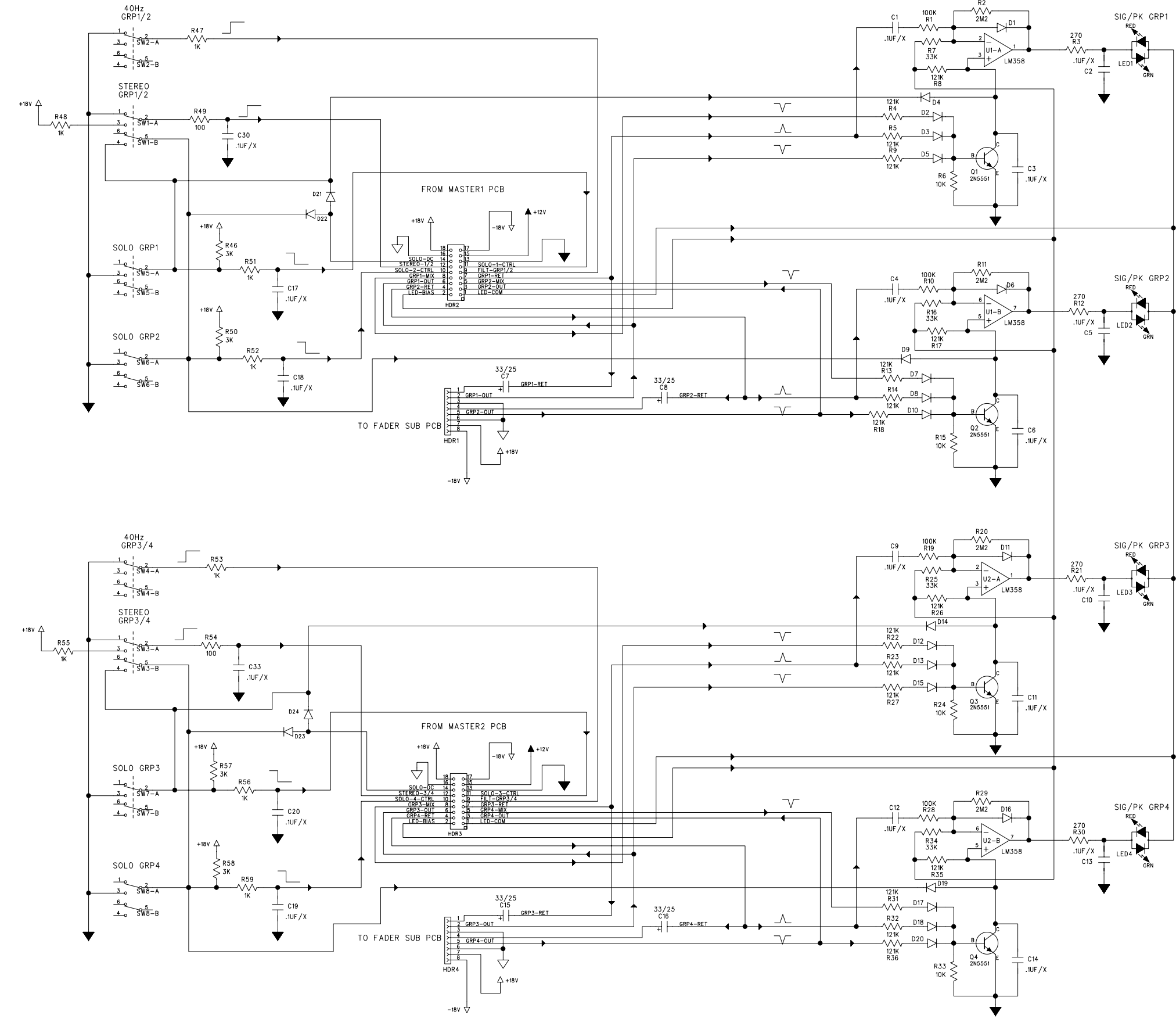
EXT SOLO IN

EXT SOLO SUB PCB

COMPANY:	
TITLE: XRM SPARE PCBs	
ORG DRAWN: TAZ	DATED: 2/02
CHECKED:	DATED:
CUR REV DRAWN:	DATED:
RELEASED:	DATED:
CODE: D	SIZE: D
DRAWING NO: 76D5069	REV: 01
FILE NAME: XRM0PCN1.SCH	SCALE:
SHEET: 1 OF 1	

6 5 4 3 2 1

REVISION RECORD			
LTR	ECO NO:	APPROVED:	DATE:



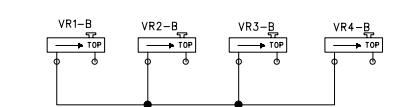
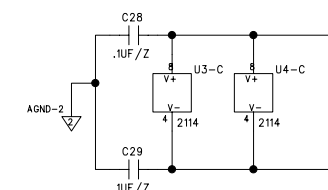
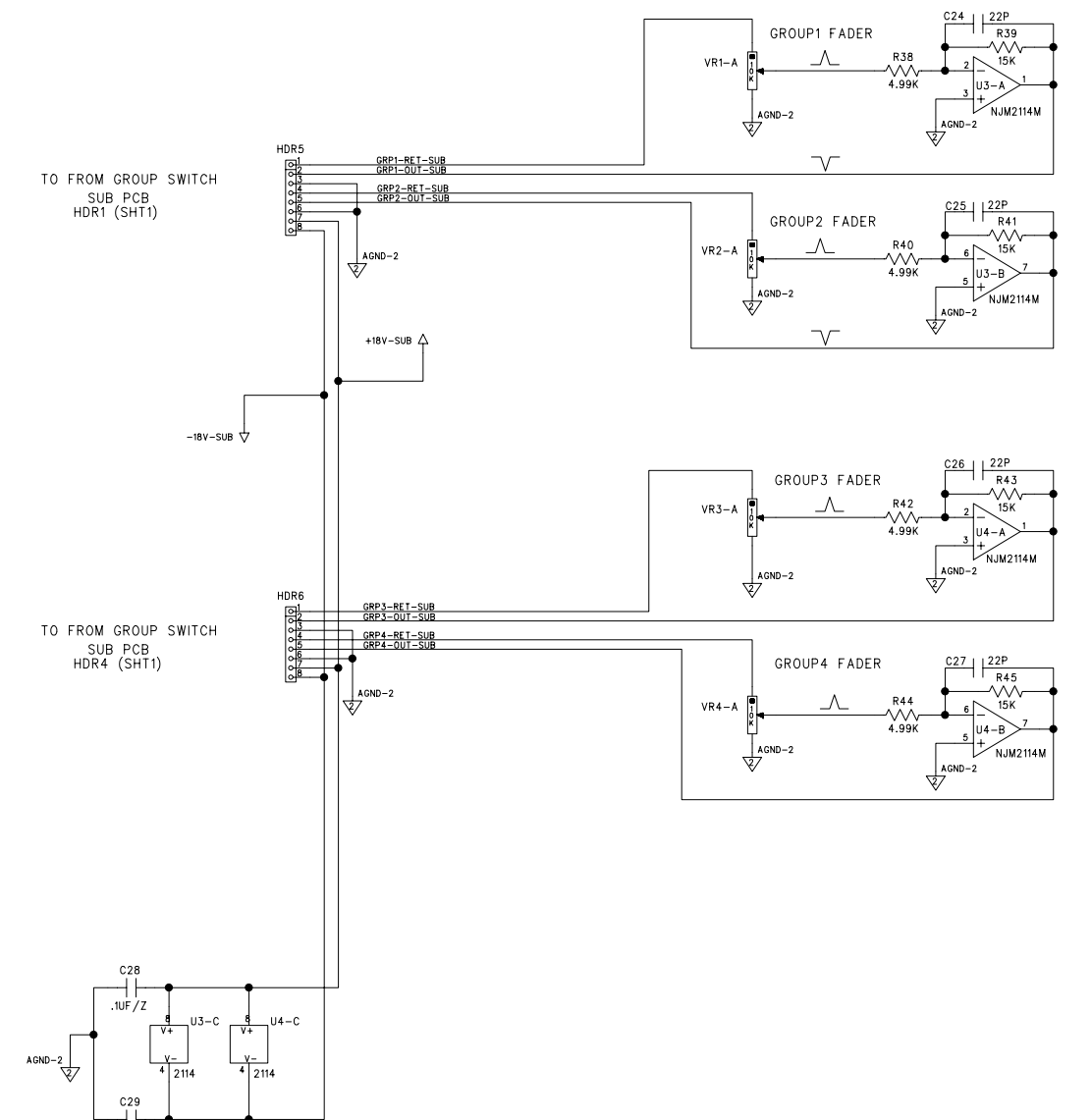
COMPANY: CRETAULTIC	
TITLE: XRM OUTPUT SWITCH/FADER SUB PCB	
ORG DRAWN: TAZ	DATED: 2/02
CHECKED:	DATED:
CUR REV DRAWN:	DATED:
RELEASED:	DATED:
CODE: D	SIZE: D
DRAWING NO: 76D5068	REV: 01
FILE NAME: XRMWSB1.SCH	
SCALE:	SHEET: 1 OF 2

D
C
B
A

D
C
B
A

6 5 4 3 2 1

REVISION RECORD			
LTR	ECO NO:	APPROVED:	DATE:



REVISION RECORD					
REV LEVEL	ASMBLY LEVEL	DATE	ECO	ENG.	DESCRIPTION
A	A	4/11		TAZ	FIRST PROTOTYPE PCB
00	A	11/27/01	4484	TAZ	PROTOTYPE REVISION NEW COPPER SWAPPED SW3 AND SW4 -WRONG IN REV A INCREASED HOLE SIZE ON SUB PCB FOR LED PETRUSION
01	A	2/14/02	4532	TAZ	PCB REVISION FROM 00 TO 01 - PART # CHANGE FROM 697-117 TO 697-122 REMOVE C31, C32 - CAUSES "THUMP" WHEN LO CUT SWT ACTIVATED.

COMPANY: **CRESTALIC**

TITLE: **XRM OUTPUT SWITCH/FADER SUB PCB**

ORG DRAWN: TAZ	DATED: 2/02	CODE:	SIZE: D	DRAWING NO: 76D5068	REV: 01
CHECKED:	DATED:			FILE NAME: XRMSWSB1.SCH	
CUR REV DRAWN:	DATED:				
RELEASED:	DATED:				

SCALE: SHEET: 2 OF 2