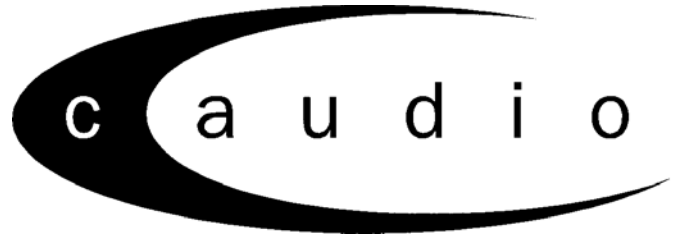


Pulse Series



Power Ratings

Pulse 4x300	
Into 8 Ohms	170W
Into 4 Ohms	300W
Into 2 Ohms	330W
Pulse 2x650	
Into 8 Ohms	400W
Into 4 Ohms	650W
Into 2 Ohms	850W
Pulse 2x1100	
Into 8 Ohms	700W
Into 4 Ohms	1100W
Into 2 Ohms	1500W

Benefits of the Pulse Series

- Very light weight
- Switched mode power supplies give solid performance at all power levels
- Microprocessor protection system
- Massive heatsinks for cooler operation and higher reliability
- Binding Post or Speakon output connector options
- Optional Remote control via C Audio CONNECT
- Internal crossover card options

Cooler, Lighter, Stronger

The Pulse Series combines state-of-the-art switched mode power supplies to not only reduce amplifier weight by as much as 70% compared to conventional amps, but also to provide solid, consistent performance at all power levels.

Occupying just 2U of rack space, Pulse uses massive heatsinks and front-venting fans to keep the electronics really cool, plus a built-in microprocessor which continually monitors all the protection aspects of Pulse - these factors all dramatically enhance reliability.

Pulse amplifiers will perform for longer periods than conventional amplifiers at high output levels.

The combination of the switched mode PSU and a rugged steel chassis means inherent strength.

Technical Specifications

Power Ratings	Pulse 4x300	Pulse 2x650	Pulse 2x1100
<small>Measured per channel, both channels driven at 1kHz to no more than 0.1% THD+N</small>			
8 Ohms	170Wrms	400Wrms	700Wrms
4 Ohms	300Wrms	650Wrms	1100Wrms
2 Ohms	330Wrms*	850Wrms*	1500Wrms*
<small>* Note: 2 Ohm spec is at 1% THD</small>			
Bridged Mono			
16 Ohms	400Wrms	800Wrms	1200Wrms
8 Ohms	600Wrms	1300Wrms	2200Wrms
4 Ohms	660Wrms*	1700Wrms*	3000Wrms*
<small>* Note: 4 Ohm bridged spec is at 1% THD</small>			

Input Sensitivity	+1dBu for full output
Input Impedance	20kOhm
Distortion	<0.006% THD, 1kHz, 1dB below clip, 22kHz measurement bandwidth
Frequency Resp.	20Hz to 20kHz, +0/-0.2dB; <2Hz to >120kHz +0/-3dB
Controls	Power switch, bridge mode switching, indented level controls (these may be made tamper-proof)
Indicators	Mains present, Operate, Signal, Bridge, Clip, Overtemperature, Protect, Remote
Protection	Microprocessor supervised: overtemperature, DC on outputs, output stage overload, inrush current surge, mains fail and brownout.
Noise	<-100dB ref full output 20Hz - 20kHz measurement bandwidth
Slew Rate	>50 V/microsecond
Damping Factor	>200 ref 8 Ohm
Output Connectors	4x300 - Binding post or Speakon 2x650, 2x1100 - Binding post and Speakon
Power	115 or 230 volts AC nominal, internally selectable, 2000VA, all channels driven (4x300, 2x650); 3000VA (2x1100)
Dimensions	3.5" (89mm) x 18.2" (460mm) x 19" (483mm) - with rear rack ears depth 19.5", -21", 20" (494, 511, 530mm)
Weight	24lbs (11kg)

Trade Descriptions Act: C Audio have a policy of continued product improvement and accordingly reserve the right to change features and specifications without prior notice.

DRAWING NUMBER ISSUE

S-C300AS-05

HARMAN INTERNATIONAL INDUSTRIES LIMITED
CRANBORNE HOUSE
CRANBORNE ROAD
POTTERS BAR
HERTS
EN6 3JN
Tel 01707 660667
Fax 01707 660755



TITLE: PULSE 4x300 AMPLIFIER

SHEET 1

FILENAME: S-C300AS-05.SCH

DRAWN: BPV

DATE: 12-01-99

CHECKED:

MATERIAL:

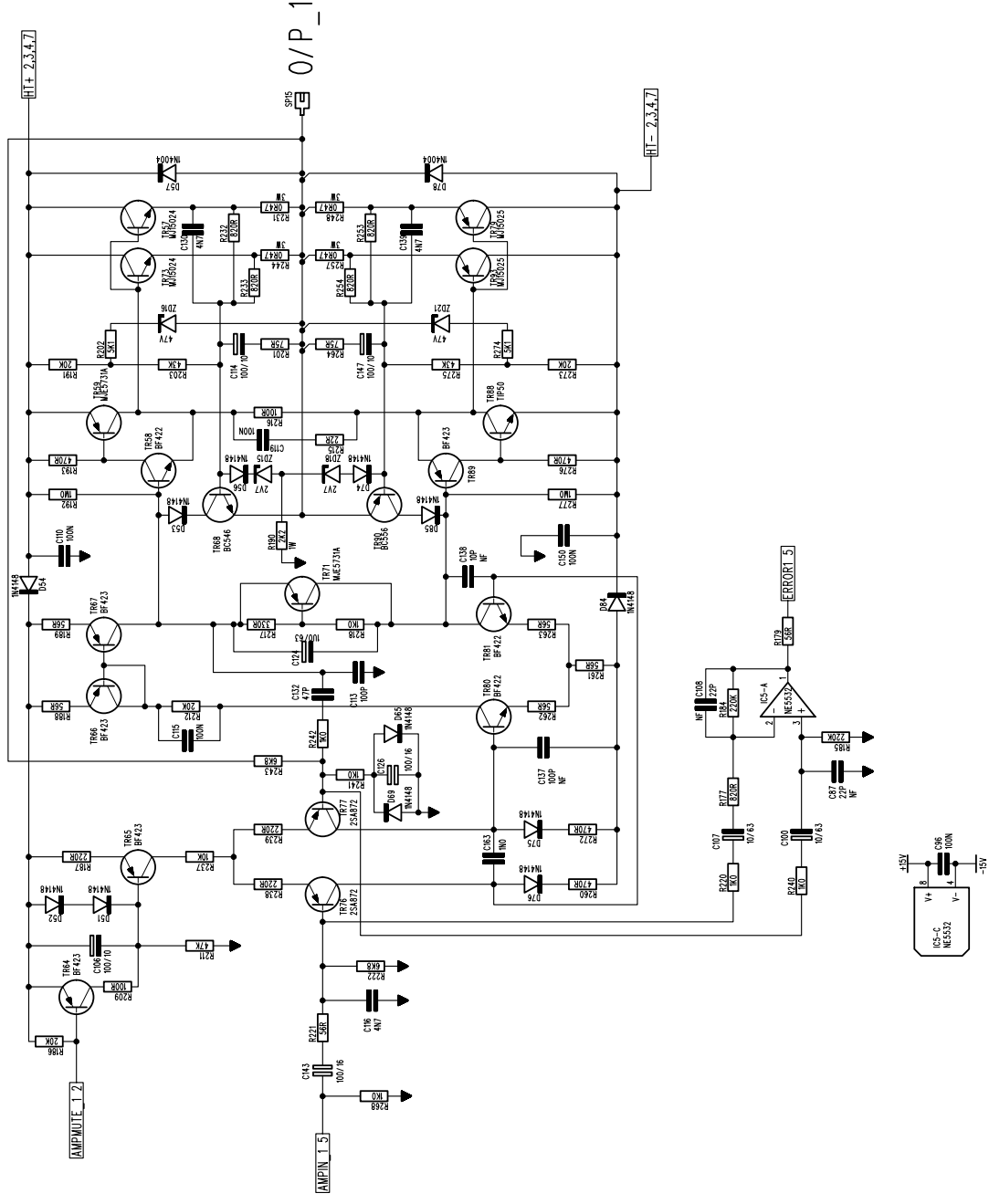
FINISH:

ISSUE COMMENTS:

1. PRODUCTION RELEASE 12-08-98
2. ECN0128 12-01-99
3. ECN0150 19-04-99
4. TX7 CIRCUIT SYMBOL UPDATED
- 4a. ECN0190 12-07-99
- 4B. ECN0251 15/11/99
- 4c. ECN0624 03/12/99
- 4D. ECN0275 11/01/00
5. ECN0333 05/05/00

PART NUMBER:

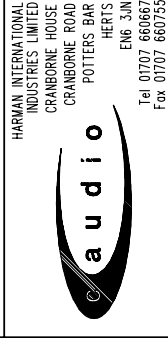
THIS DRAWING IS THE COPYRIGHT OF BESS Audio Ltd. ALL REPRODUCTION WITHOUT PERMISSION OF BESS Audio Ltd. IS PROHIBITED. INTERNAL USE OR DISCLOSURE OF PART OR WHOLE TO A THIRD PARTY WITHOUT PRIOR WRITTEN AUTHORIZATION IS IN VIOLATION OF THE COPYRIGHT.
© C. Audio Ltd 1999



DRAWING NUMBER

ISSUE

S-C300AS-05



TITLE: PULSE 4x300 AMPLIFIER

SHEET 2

FILENAME: S-C300AS-05.SCH

DRAWN: BPV

DATE: 12-01-99

CHECKED:

MATERIAL:

FINISH:

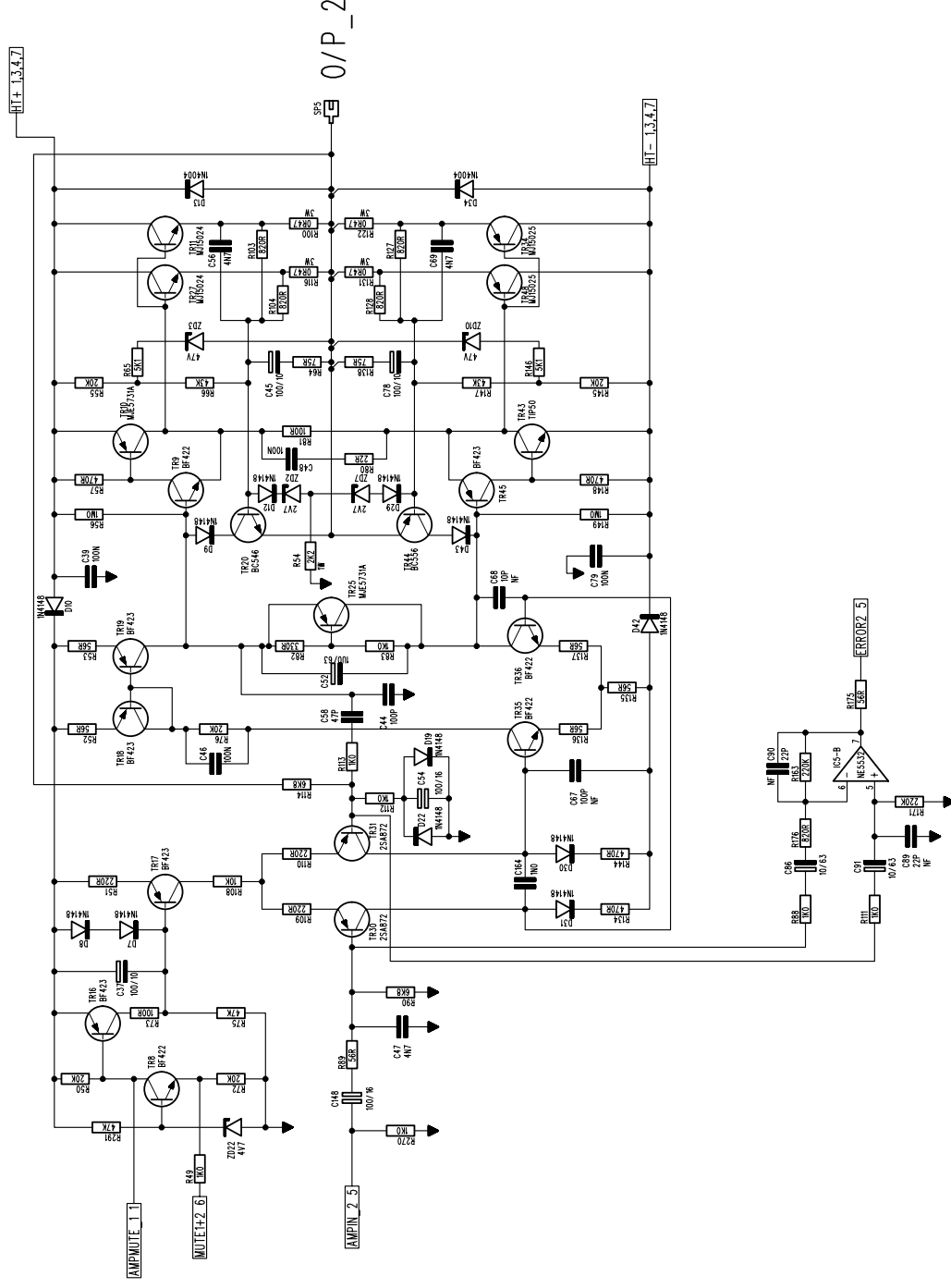
ISSUE COMMENTS:

1. PRODUCTION RELEASE 12-08-98
2. ECN0128 12-01-99
3. ECN0150 19-04-99
4. TX7 CIRCUIT SYMBOL UPDATED
- 4a. ECN0190 12-07-99
- 4B. ECN0251 15/11/99
- 4c. ECN0624 03/12/99
- 4D. ECN0275 11/01/00
5. ECN0333 05/05/00

PART NUMBER:

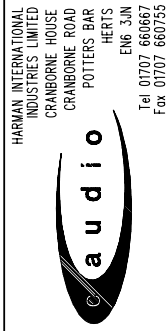
THIS DRAWING IS THE COPYRIGHT OF BESS Audio Ltd. ALL REPRODUCTION WITHOUT PERMISSION IS PROHIBITED. THIS DRAWING IS THE PROPERTY OF BESS AUDIO LTD. AND IS NOT TO BE REPRODUCED OR TRANSMITTED IN ANY FORM OR BY ANY MEANS, ELECTRONIC OR MECHANICAL, INCLUDING PHOTOCOPYING, RECORDING, OR BY ANY INFORMATION STORAGE AND RETRIEVAL SYSTEM, WITHOUT PRIOR WRITTEN AUTHORIZATION IS IN VIOLATION OF THE COPYRIGHT.

© C. Audio, Ltd 1999



DRAWING NUMBER ISSUE

S-C300AS-05



TITLE: PULSE 4x300 AMPLIFIER

SHEET 3

FILENAME: S-C300AS-05.SCH

DRAWN: BPV

DATE: 12-01-99

CHECKED:

MATERIAL:

FINISH:

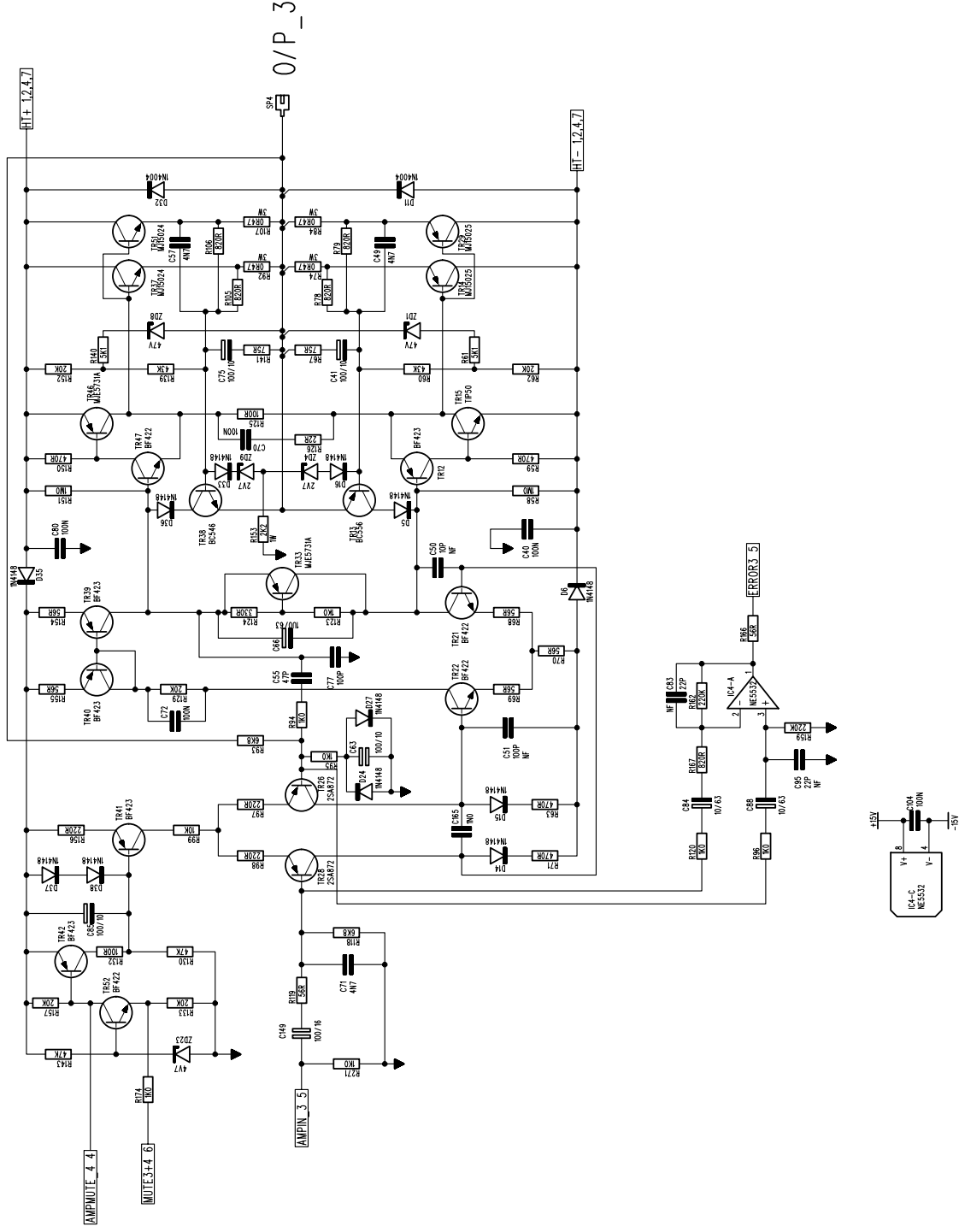
ISSUE COMMENTS:

1. PRODUCTION RELEASE 12-08-98
2. EGN0128 12-01-99
3. EGN0150 19-04-99
4. TX7 CIRCUIT SYMBOL UPDATED
- 4a. EGN0190 12-07-99
- 4B. EGN0251 15/11/99
- 4c. EGN0624 03/12/99
- 4D. EGN0275 11/01/00
5. EGN0333 05/05/00

PART NUMBER:

THIS DRAWING IS THE COPYRIGHT OF BESS Audio Ltd. ALL REPRODUCTION WITHOUT PERMISSION OF BESS Audio Ltd. IS STRICTLY PROHIBITED. INTERNAL USE OR DISCLOSURE OF PART OR WHOLE TO A THIRD PARTY WITHOUT PRIOR WRITTEN AUTHORIZATION IS IN VIOLATION OF THE COPYRIGHT.

© C. Audio Ltd 1999



DRAWING NUMBER ISSUE

S-C300AS-05

HARMAN INTERNATIONAL
INDUSTRIES LIMITED
CRANBORNE HOUSE
CRANBORNE ROAD
POTTERS BAR
HERTS
ENGLAND
Tel 01707 660667
Fax 01707 660755



TITLE: PULSE 4x300 AMPLIFIER

SHEET 4

FILENAME: S-C300AS-05.SCH

DRAWN: BPV

DATE: 12-01-99

CHECKED:

MATERIAL:

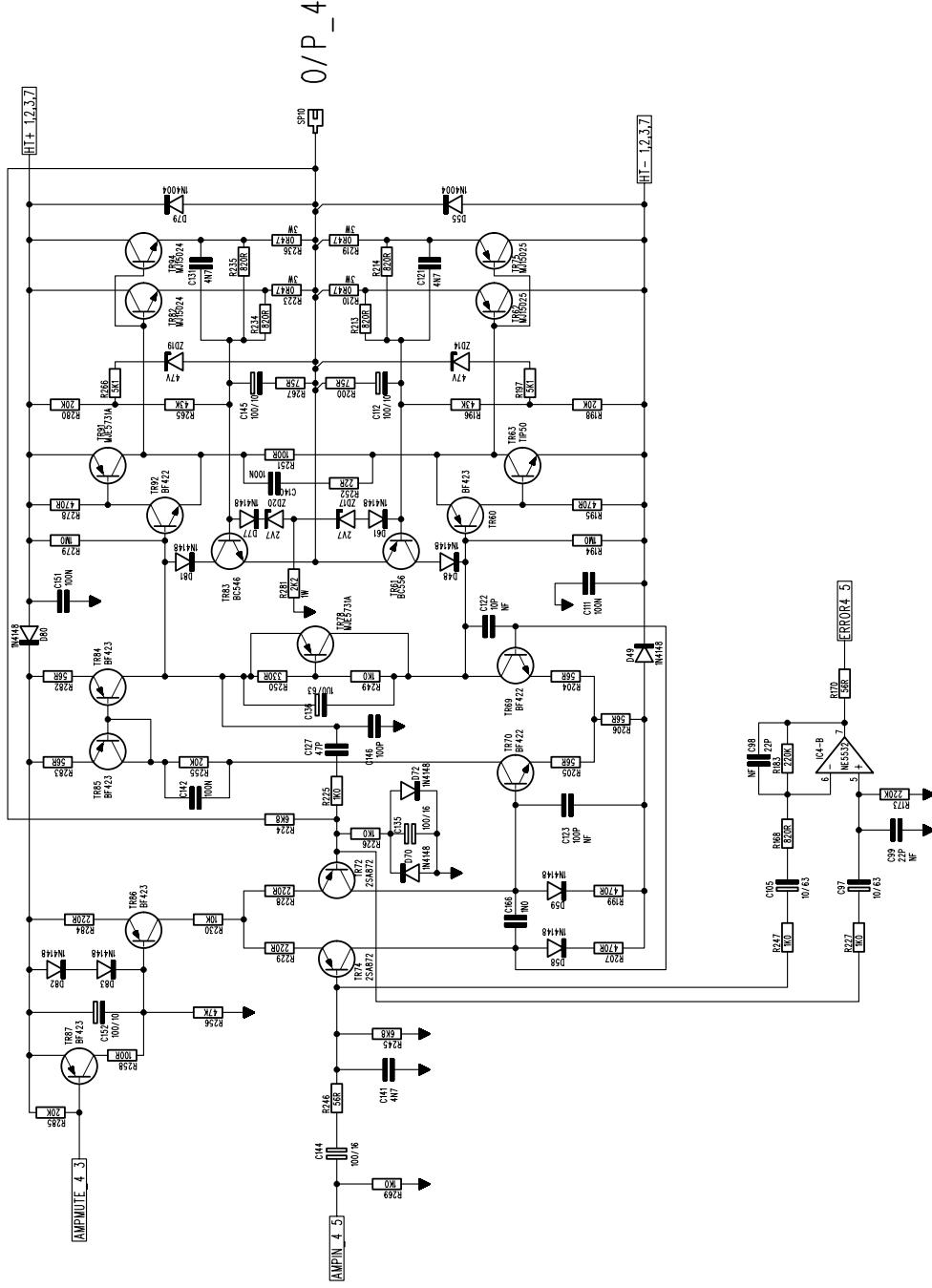
FINISH:

ISSUE COMMENTS:

1. PRODUCTION RELEASE 12-08-98
2. ECN0128 12-01-99
3. ECN0150 19-04-99
4. TX7 CIRCUIT SYMBOL UPDATED
- 4a. ECN0190 12-07-99
- 4B. ECN0251 15/11/99
- 4c. ECN0624 03/12/99
- 4D. ECN0275 11/01/00
5. ECN0333 05/05/00

PART NUMBER:


THIS DRAWING IS THE COPYRIGHT OF BESS Audio Ltd. ALL REPRODUCTION
WITHOUT WRITTEN PERMISSION IS PROHIBITED. THIS DRAWING IS FOR
INTERNAL USE ONLY. DISCLOSURE OF PART OR WHOLE TO A THIRD PARTY
WITHOUT PRIOR WRITTEN AUTHORIZATION IS IN VIOLATION OF THE
COPYRIGHT.



DRAWING NUMBER ISSUE

S-C300AS-05

HARMAN INTERNATIONAL INDUSTRIES LIMITED
CRANBORNE HOUSE
CRANBORNE ROAD
POTTERS BAR
HERTS
ENGLAND
Tel 01707 660667
Fax 01707 660755



TITLE: PULSE 4x300 AMPLIFIER

SHEET 5

FILENAME: S-C300AS-05.SCH

DRAWN: BPV

DATE: 12-01-99

CHECKED:

MATERIAL:

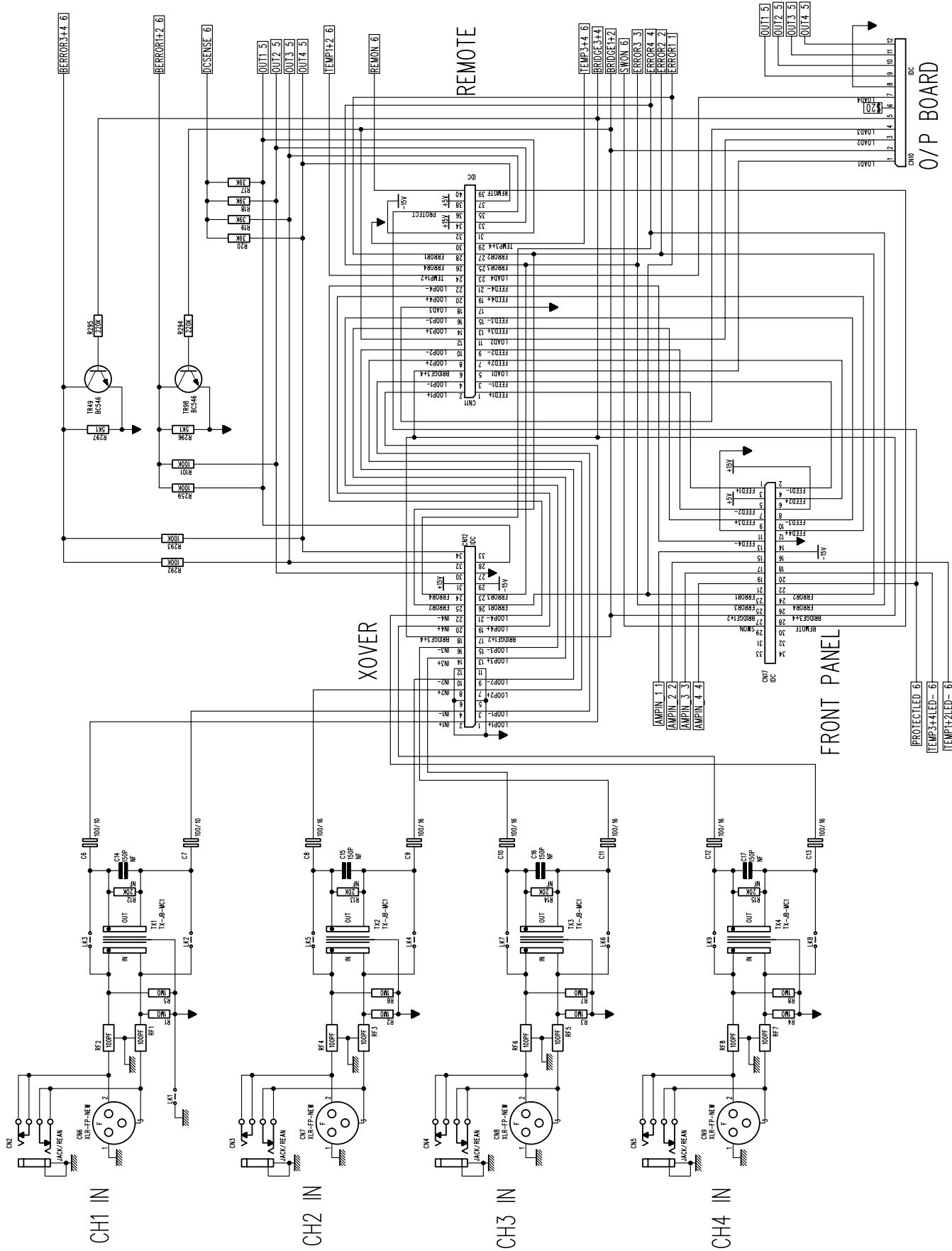
FINISH:

ISSUE COMMENTS:

1. PRODUCTION RELEASE 12-08-98
2. ECN0128 12-01-99
3. ECN0150 19-04-99
4. TX7 CIRCUIT SYMBOL UPDATED
- 4a. ECN0190 12-07-99
- 4B. ECN0251 15/11/99
- 4c. ECN0624 03/12/99
- 4D. ECN0275 11/01/00
5. ECN0333 05/05/00

PART NUMBER:

THIS DRAWING IS THE COPYRIGHT OF BESS Audio Ltd. ALL REPRODUCTION WITHOUT PERMISSION OF BESS Audio Ltd. IS PROHIBITED. INTERNAL USE OR DISCLOSURE OF PART OR WHOLE TO A THIRD PARTY WITHOUT PRIOR WRITTEN AUTHORIZATION IS IN VIOLATION OF THE COPYRIGHT.
© C Audio Ltd 1999



DRAWING NUMBER ISSUE

S-C300AS-05

HARMAN INTERNATIONAL
INDUSTRIES LIMITED
CRANBORNE HOUSE
CRANBORNE ROAD
POTTERS BAR
HERTS
ENGLAND
Tel 01707 660667
Fax 01707 660755



TITLE: PULSE 4x300 AMPIFIER

SHEET 6

FILENAME: S-C300AS-05.SCH

DRAWN: BPV

DATE: 12-01-99

CHECKED:

MATERIAL:

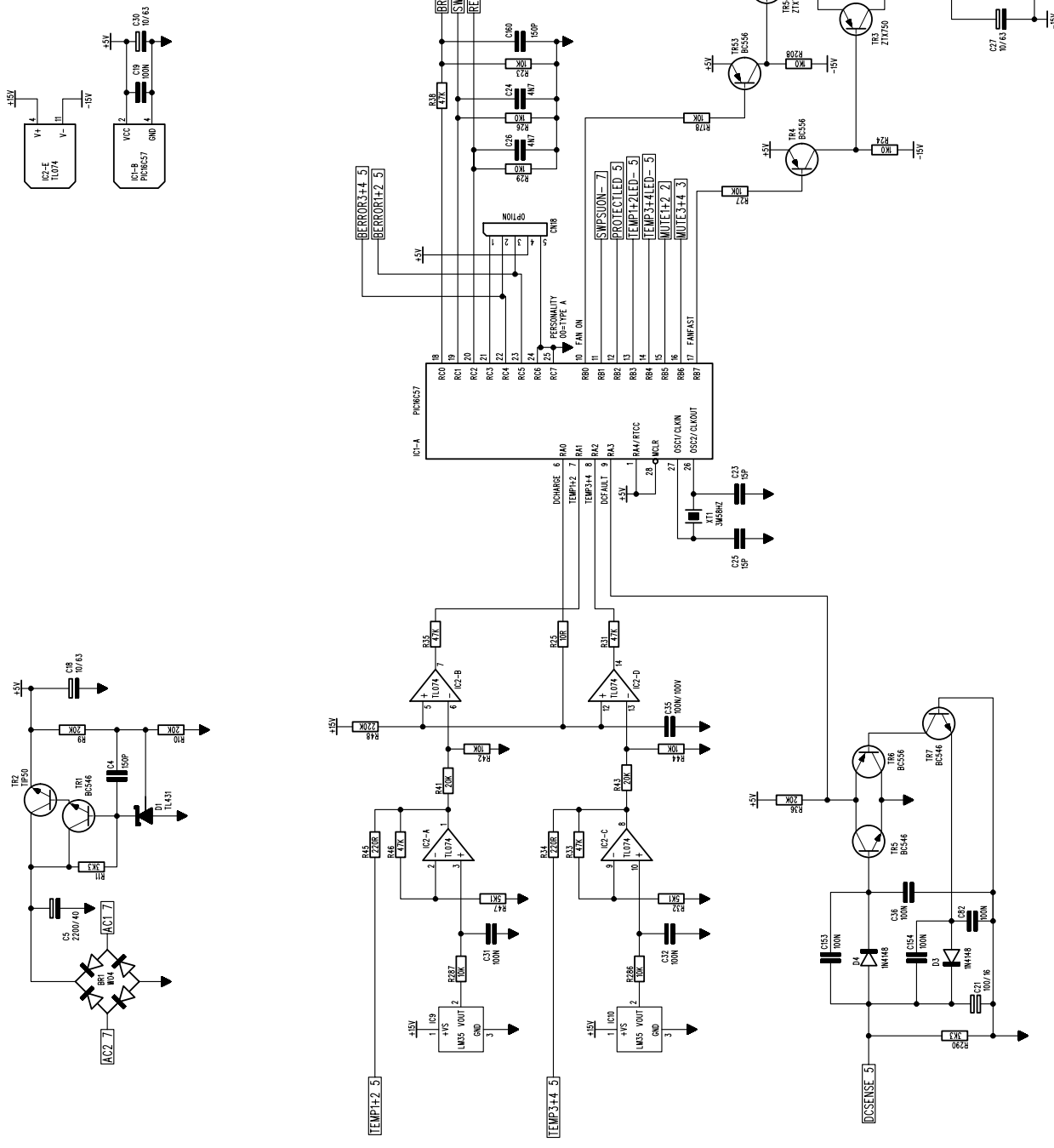
FINISH:

ISSUE COMMENTS:

1. PRODUCTION RELEASE 12-08-98
2. ECN0128 12-01-99
3. ECN0150 19-04-99
4. TX7 CIRCUIT SYMBOL UPDATED
- 4a. ECN0190 12-07-99
- 4B. ECN0251 15/11/99
- 4c. ECN0624 03/12/99
- 4D. ECN0275 11/01/00
5. ECN0333 05/05/00

PART NUMBER:

THIS DRAWING IS THE COPYRIGHT OF BESS Audio Ltd. ALL REPRODUCTION
WITHOUT WRITTEN PERMISSION IS PROHIBITED. ANY UNAUTHORIZED
INTERNAL USE OR DISCLOSURE OF PART OR WHOLE TO A THIRD PARTY
WITHOUT PRIOR WRITTEN AUTHORIZATION IS IN VIOLATION OF THE
COPYRIGHT. © C Audio Ltd 1999



DRAWING NUMBER

ISSUE

S-C300AS-05

HARMAN INTERNATIONAL
INDUSTRIES LIMITED
CRANBORNE HOUSE
CRANBORNE ROAD
POTTERS BAR
HERTS
ENGLAND
Tel 01707 660667
Fax 01707 660755



TITLE: PULSE 4x300 AMPLIFIER

SHEET 7

FILENAME: S-C300AS-05.SCH

DRAWN: BPV

DATE: 12-01-99

CHECKED:

MATERIAL:

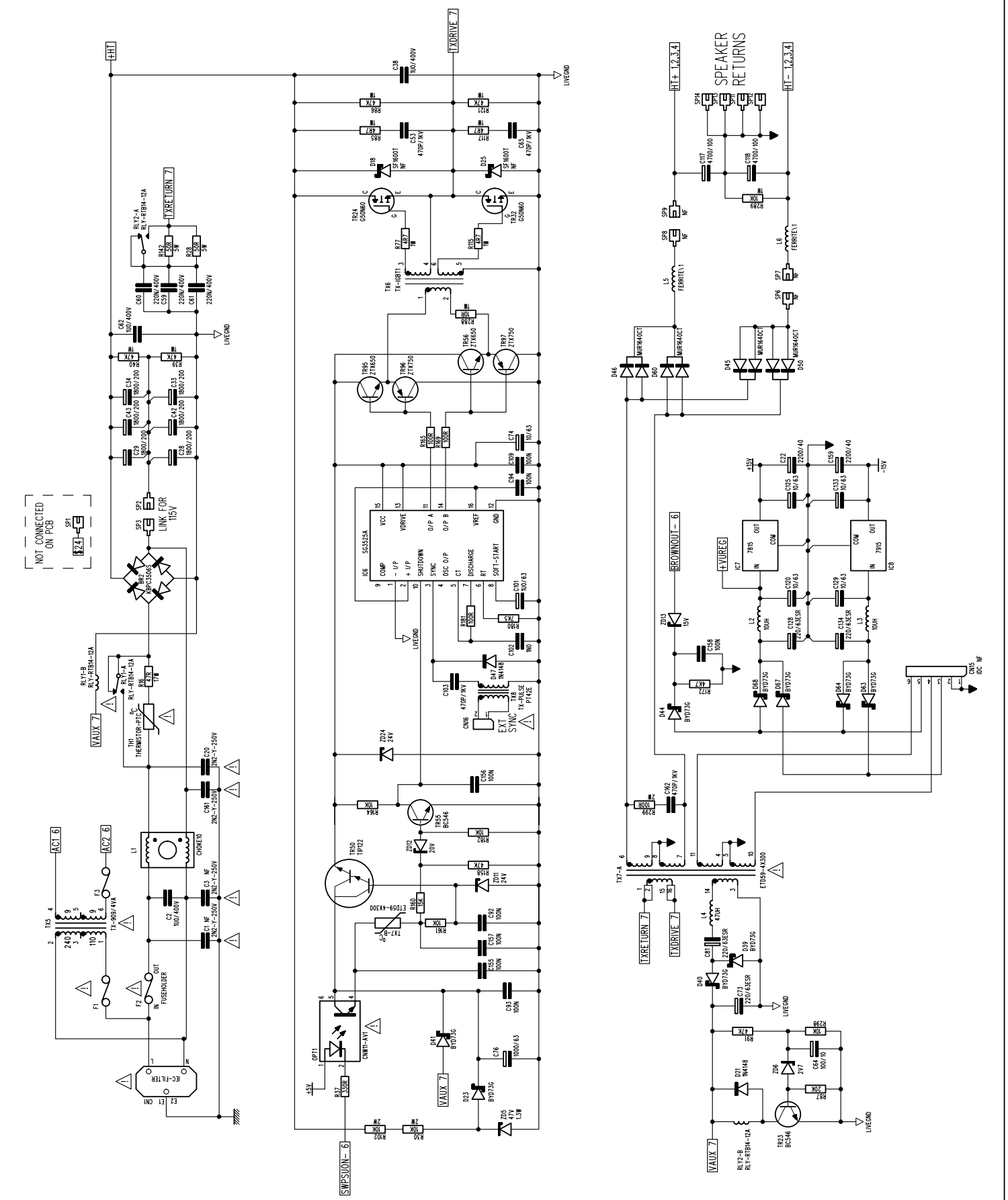
FINISH:

ISSUE COMMENTS:

1. PRODUCTION RELEASE 12-08-98
2. ECN0128 12-01-99
3. ECN0150 19-04-99
4. TX7 CIRCUIT SYMBOL UPDATED
- 4a. ECN0190 12-07-99
- 4B. ECN0251 15/11/99
- 4C. ECN0624 03/12/99
- 4D. ECN0275 11/01/00
5. ECN0333 05/05/00

PART NUMBER:

THIS DRAWING IS THE COPYRIGHT OF BESS Audio Ltd. ALL REPRODUCTION
INTERNAL USE OR DISCLOSURE OF PART OR WHOLE TO A THIRD PARTY
WITHOUT PRIOR WRITTEN AUTHORIZATION IS IN VIOLATION OF THE
COPYRIGHT.
© C. Audio Ltd 1999



DRAWING NUMBER

ISSUE

S-C300BS-03

HARMAN INTERNATIONAL
INDUSTRIES LIMITED
CRANBORNE HOUSE
CRANBORNE ROAD
POTTERS BAR
HERTS
ENGLAND
Tel 01707 660667
Fax 01707 660755



TITLE: PULSE 4 x 300
FRONT PANEL

SHEET 1 of 1

FILENAME:

DRAWN: BPV

DATE: 12-04-99

CHECKED:

MATERIAL:

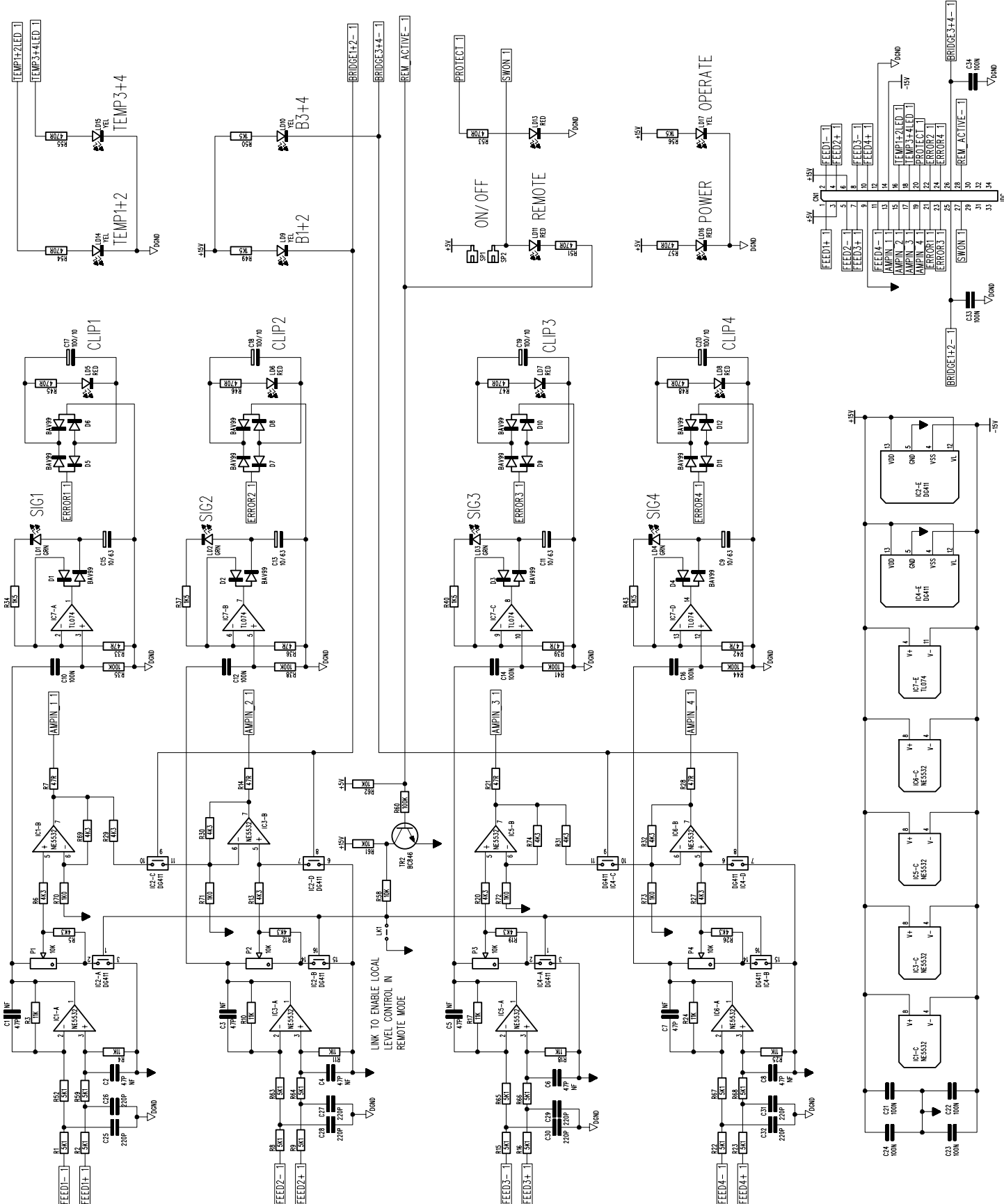
FINISH:

ISSUE COMMENTS:

1. PRODUCTION RELEASE 12-08-98
2. ECN0128 12-01-99
- 2a. ECN0186 12-07-99
3. ECN0331 05/05/00

PART NUMBER:

THIS DRAWING IS THE PROPERTY OF HARMAN INT'L. ALL REPRODUCTION AND COPYING OTHER THAN THAT FOR LICENSED MANUFACTURERS IS STRICTLY PROHIBITED. NO PART OF THIS DRAWING IS TO BE REPRODUCED OR TRANSMITTED IN ANY FORM OR BY ANY MEANS, WITHOUT PRIOR WRITTEN AUTHORIZATION IS IN VIOLATION OF THE COPYRIGHT.



DRAWING NUMBER ISSUE

S-C650AS-03

HARMAN INTERNATIONAL
INDUSTRIES LIMITED
CRANBORNE HOUSE
CRANBORNE ROAD
POTTERS BAR
HERTS
ENG 3JN
Tel 01707 660667
Fax 01707 660755



TITLE: PULSE 2x650 AMPLIFIER

SHEET 1

FILENAME: BPV

DRAWN: BPV

DATE: 04/01/00

CHECKED:

MATERIAL:

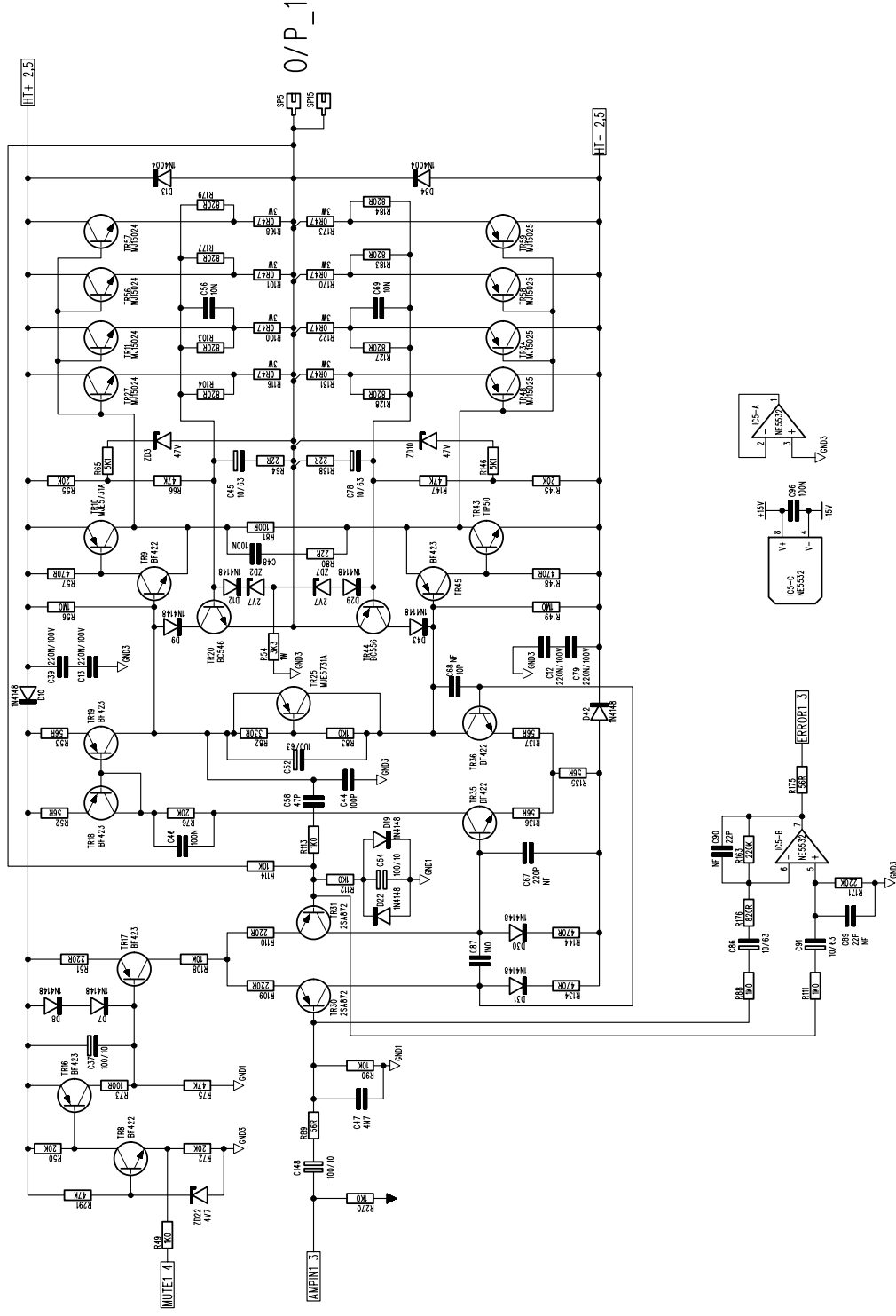
FINISH:

ISSUE COMMENTS:

- 1. PRE-PRODUCTION RELEASE 10-05-99
- 2. PRODUCTION RELEASE 22-06-99
- 2A. ECN203 02/09/99
- 2B. ECN0251 15/11/99
- 2C. ECN0275 11/01/00
- 3. ECN0334 05/05/00

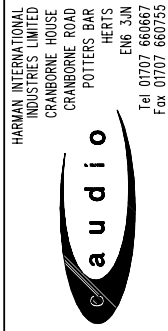
PART NUMBER:

THIS DRAWING IS THE COPYRIGHT OF BSS Audio Ltd. ALL REPRODUCTION
WITHOUT WRITTEN PERMISSION IS PROHIBITED. THIS DRAWING IS THE
INTERNAL USE OR DISCLOSURE OF PART OR WHOLE TO A THIRD PARTY
WITHOUT PRIOR WRITTEN AUTHORISATION IS IN VIOLATION OF THE
COPYRIGHT.
© BSS Audio Ltd 1994



DRAWING NUMBER ISSUE

S-C650AS-03



Tel 01707 660667 Fax 01707 660755

TITLE: PULSE 2x650 AMPLIFIER

SHEET 2

FILENAME: BPV

DRAWN: 04/01/00

CHECKED:

MATERIAL:

FINISH:

ISSUE COMMENTS:

1. PRE-PRODUCTION RELEASE 10-05-99

2. PRODUCTION RELEASE 22-06-99

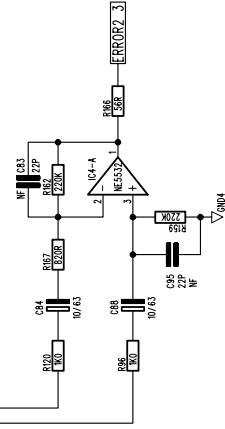
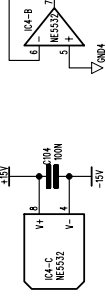
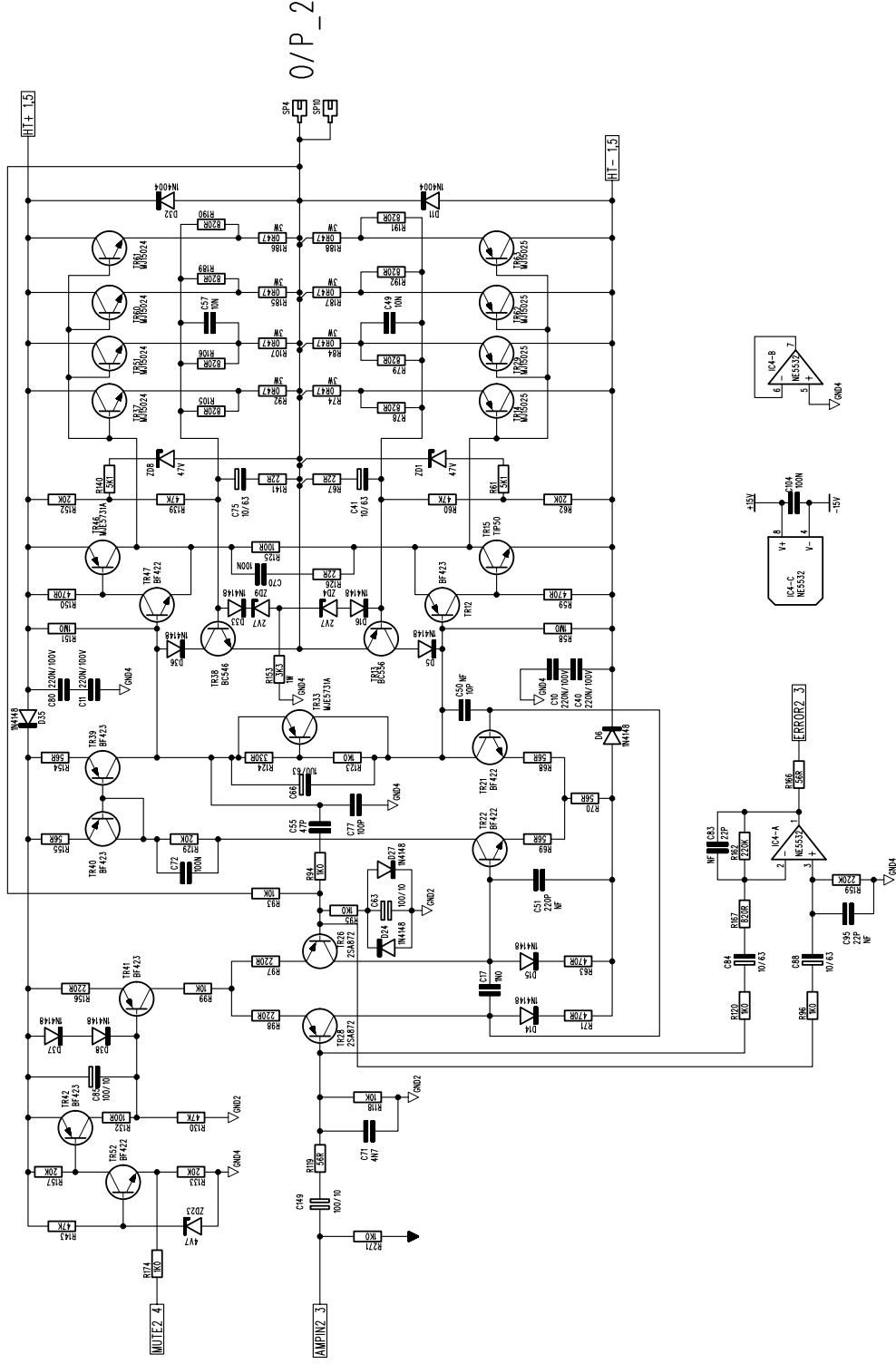
2A. ECN203 02/09/99

2B. ECN0251 15/11/99

2C. ECN0275 11/01/00

3. ECN0334 05/05/00

PART NUMBER:



THIS DRAWING IS THE COPYRIGHT OF BSS Audio Ltd. ALL REPRODUCTION WITHOUT PERMISSION OF BSS Audio Ltd. IS STRICTLY PROHIBITED. INTERNAL USE OR DISCLOSURE OF PART OR WHOLE TO A THIRD PARTY WITHOUT PRIOR WRITTEN AUTHORIZATION IS IN VIOLATION OF THE COPYRIGHT. © BSS Audio Ltd 1994

DRAWING NUMBER

ISSUE

S-C650AS-03

HARMAN INTERNATIONAL
INDUSTRIES LIMITED
CRANBORNE HOUSE
CRANBORNE ROAD
POTTERS BAR
HERTS
ENGLAND
Tel 01707 660667
Fax 01707 660755



TITLE: PULSE 2x650 AMPLIFIER

SHEET 3

FILENAME:

DRAWN: BPV

DATE: 04/01/00

CHECKED:

MATERIAL:

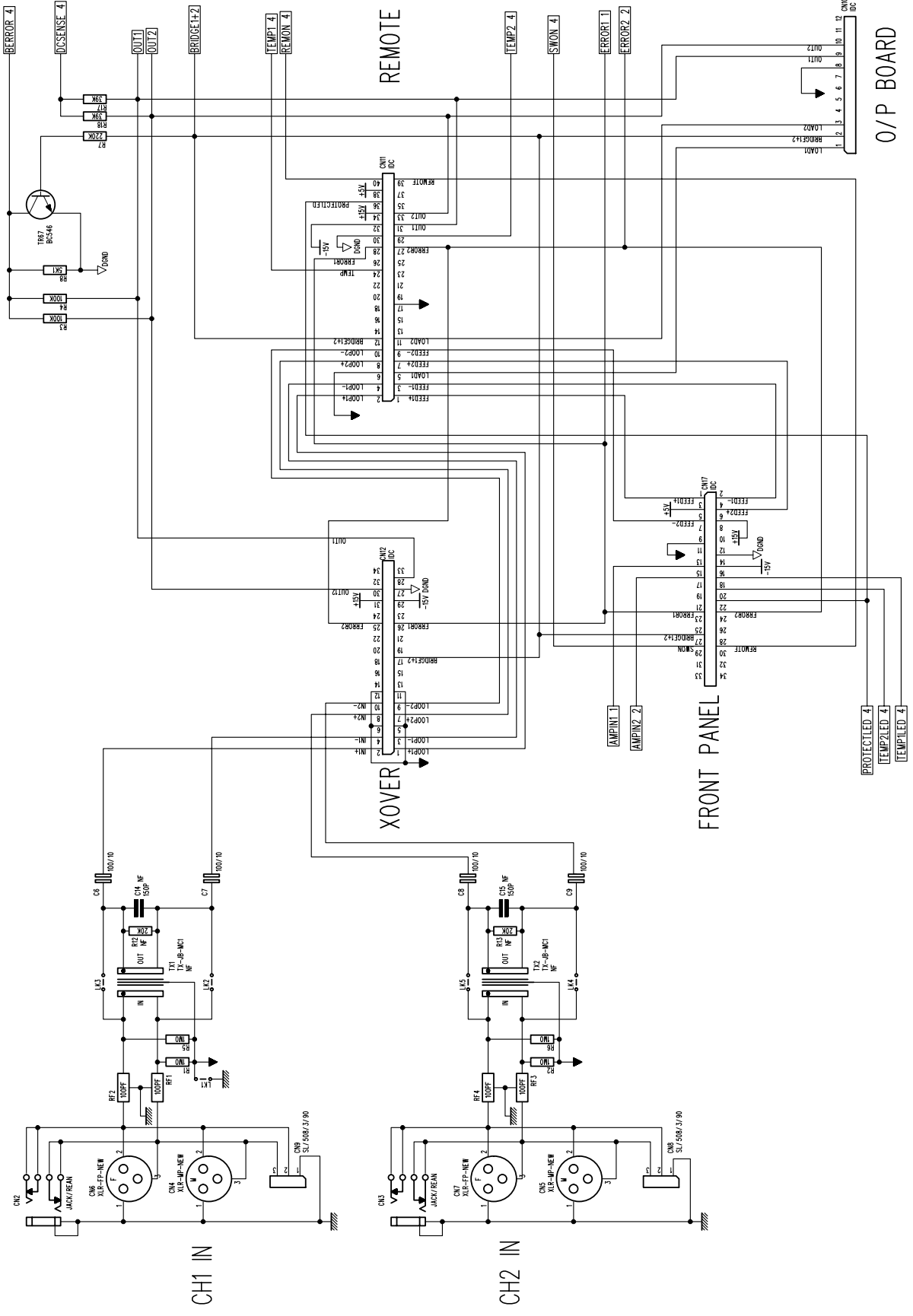
FINISH:

ISSUE COMMENTS:

1. PRE-PRODUCTION RELEASE 10-05-99
2. PRODUCTION RELEASE 22-06-99
- 2A. ECN203 02/09/99
- 2B. ECN0251 15/11/99
- 2C. ECN0275 11/01/00
3. ECN0334 05/05/00

PART NUMBER:

THIS DRAWING IS THE COPYRIGHT OF BSS Audio Ltd. ALL REPRODUCTION
WITHOUT WRITTEN PERMISSION IS STRICTLY PROHIBITED. THIS DRAWING IS
INTERNAL USE ONLY. DISCLOSURE OF PART OR WHOLE TO A THIRD PARTY
WITHOUT PRIOR WRITTEN AUTHORIZATION IS IN VIOLATION OF THE
COPYRIGHT.
© BSS Audio Ltd 1994



O/P BOARD

REMOTE

FRONT PANEL

XOVER

CH1 IN

CH2 IN

BERROR 4

DCSENSE 4

OUT1

OUT2

BRIDGE1-2

TEMP1 4

TEMPON 4

TEMP2 4

SWON 4

ERROR1 1

ERROR2 2

AMP1 1

AMP2 2

FEED1 1

FEED2 2

PROTECTED 4

TEMPLED 4

TEMPLED 4

CH1 10

CH2 10

DRAWING NUMBER ISSUE

S-C650AS-03

HARMAN INTERNATIONAL INDUSTRIES LIMITED
CRANBORNE HOUSE
CRANBORNE ROAD
POTTERS BAR
HERTS
ENGLAND
Tel 01707 660667
Fax 01707 660755



TITLE: PULSE 2x650 AMPLIFIER

SHEET 4

FILENAME:

DRAWN: BPV

DATE: 04/01/00

CHECKED:

MATERIAL:

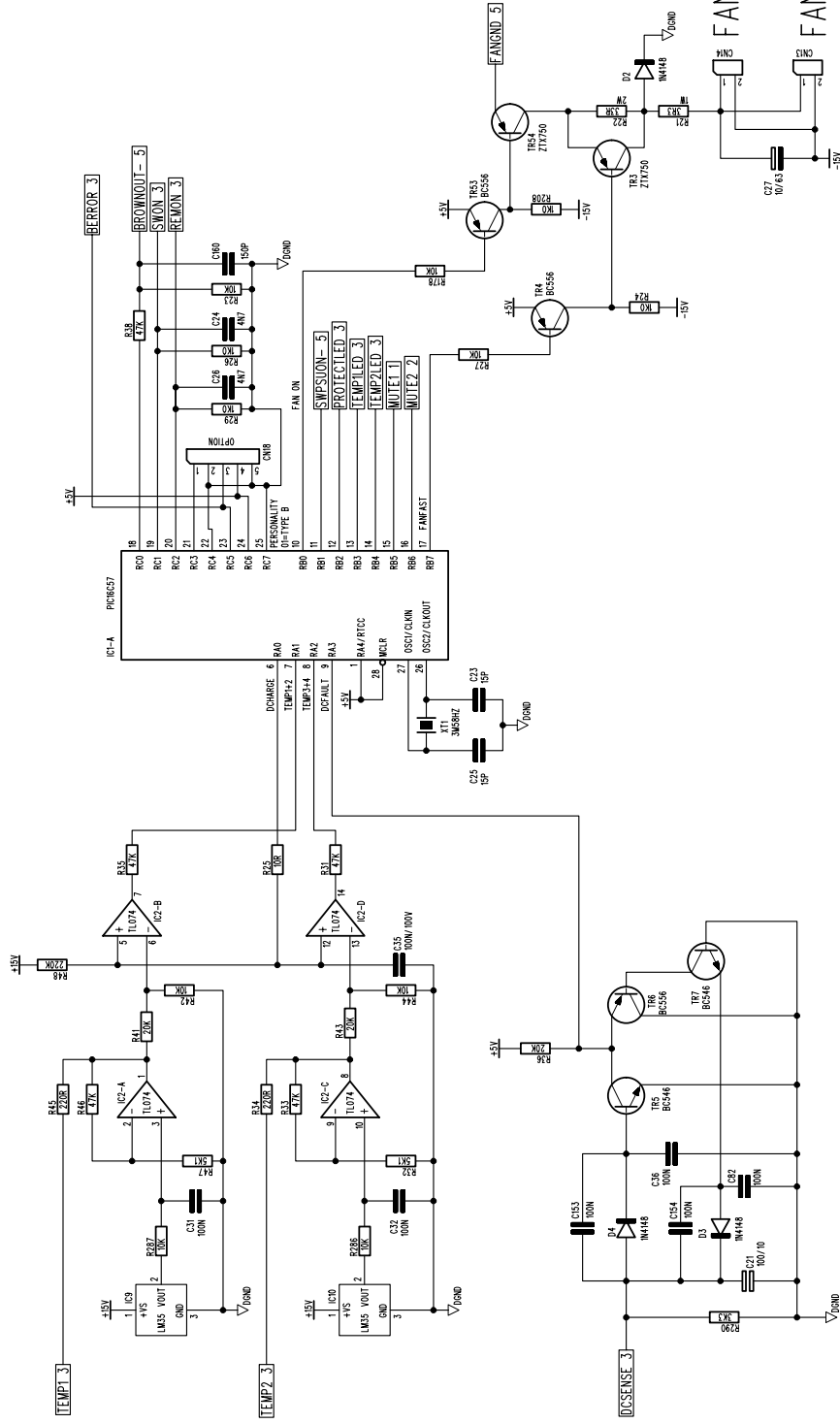
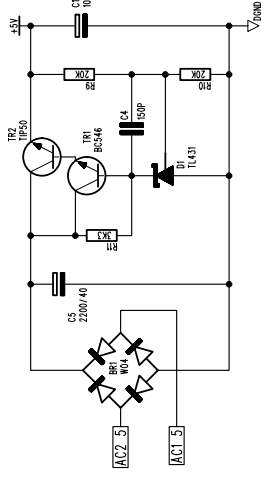
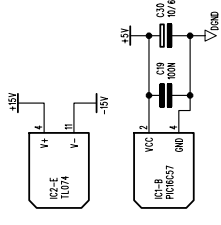
FINISH:

ISSUE COMMENTS:

- 1. PRE-PRODUCTION RELEASE 10-05-99
- 2. PRODUCTION RELEASE 22-06-99
- 2A. ECN0203 02/09/99
- 2B. ECN0251 15/11/99
- 2C. ECN0275 11/01/00
- 3. ECN0334 05/05/00

PART NUMBER:

THIS DRAWING IS THE COPYRIGHT OF BSS Audio Ltd. ALL REPRODUCTION WITHOUT PERMISSION IS PROHIBITED. THIS DRAWING IS THE PROPERTY OF BSS AUDIO LTD. AND IS NOT TO BE REPRODUCED OR TRANSMITTED IN ANY FORM OR BY ANY MEANS, ELECTRONIC OR MECHANICAL, WITHOUT PRIOR WRITTEN AUTHORIZATION IS IN VIOLATION OF THE COPYRIGHT. © BSS Audio Ltd 1994



DRAWING NUMBER ISSUE

S-C650AS-03

HARMAN INTERNATIONAL INDUSTRIES LIMITED
 CRANBORNE HOUSE
 CRANBORNE ROAD
 POTTERS BAR
 HERTS
 ENGLAND
 Tel 01707 660667
 Fax 01707 660755



TITLE: PULSE 2x650 AMPLIFIER

SHEET 5

FILENAME:

DRAWN: BPV

DATE: 04/01/00

CHECKED:

MATERIAL:

FINISH:

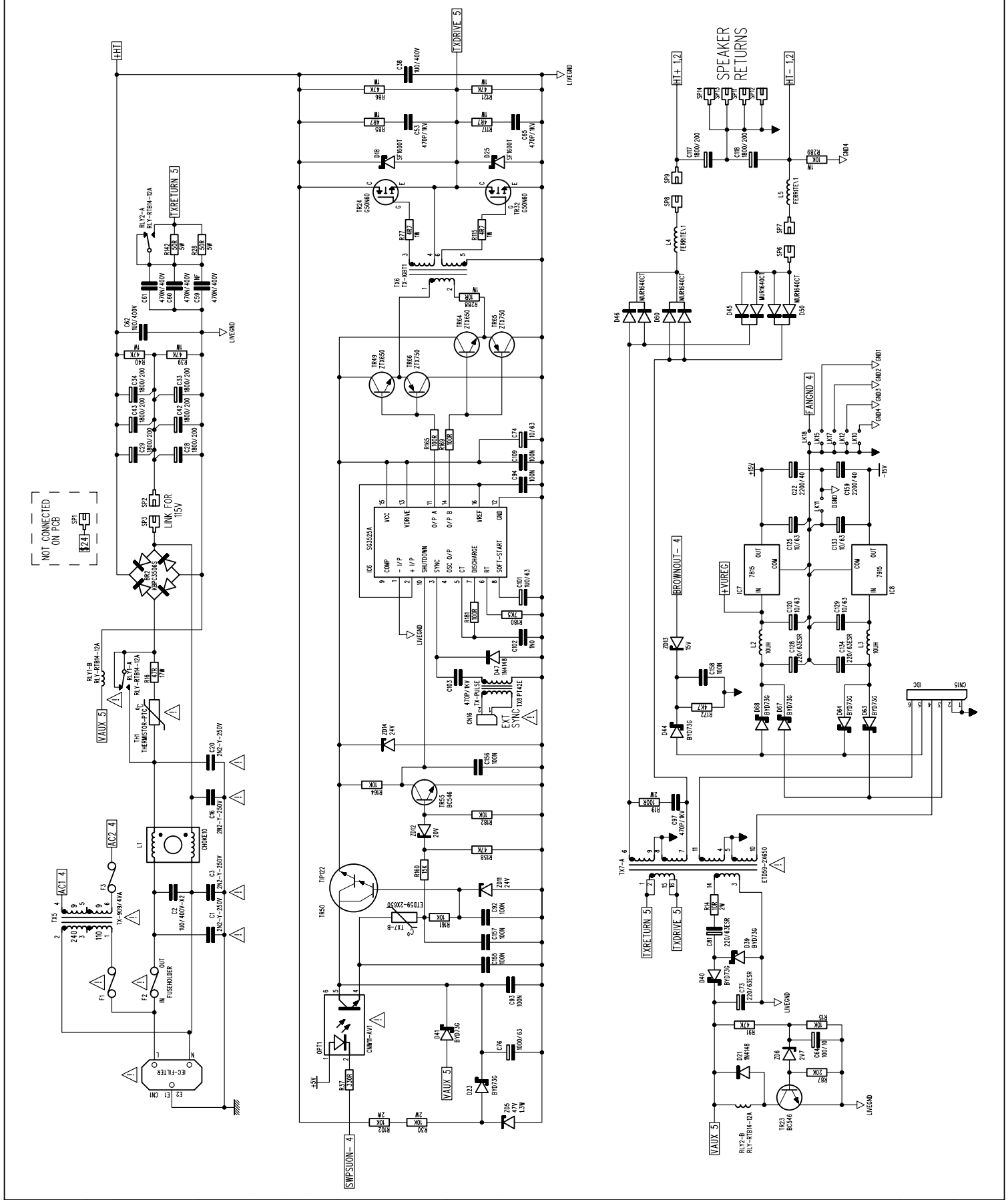
ISSUE COMMENTS:

1. PRE-PRODUCTION RELEASE 10-05-99
2. PRODUCTION RELEASE 22-06-99
- 2A. ECN203 02/09/99
- 2B. ECN0251 15/11/99
- 2C. ECN0275 11/01/00
3. ECN0334 05/05/00

PART NUMBER:

THIS DRAWING IS THE COPYRIGHT OF BSS Audio Ltd. ALL REPRODUCTION WITHOUT PERMISSION IS PROHIBITED. NO PART OF THIS DRAWING IS TO BE REPRODUCED OR TRANSMITTED IN ANY FORM OR BY ANY MEANS, ELECTRONIC OR MECHANICAL, INCLUDING PHOTOCOPYING, RECORDING, OR BY ANY INFORMATION STORAGE AND RETRIEVAL SYSTEM, WITHOUT PRIOR WRITTEN AUTHORISATION IS IN VIOLATION OF THE COPYRIGHT.

© BSS Audio Ltd 1994



DRAWING NUMBER

ISSUE

S-C650BS-02B

HARMAN INTERNATIONAL
INDUSTRIES LIMITED
CRANBORNE HOUSE
CRANBORNE ROAD
POTTERS BAR
HERVIS
ENG 3JN
Tel 01707 660667
Fax 01707 660755



TITLE: PULSE 2X650 & 2X1100
FRONT PANEL

SHEET 1 OF 1

FILENAME:

DRAWN: BPV

DATE: 09-02-99

CHECKED:

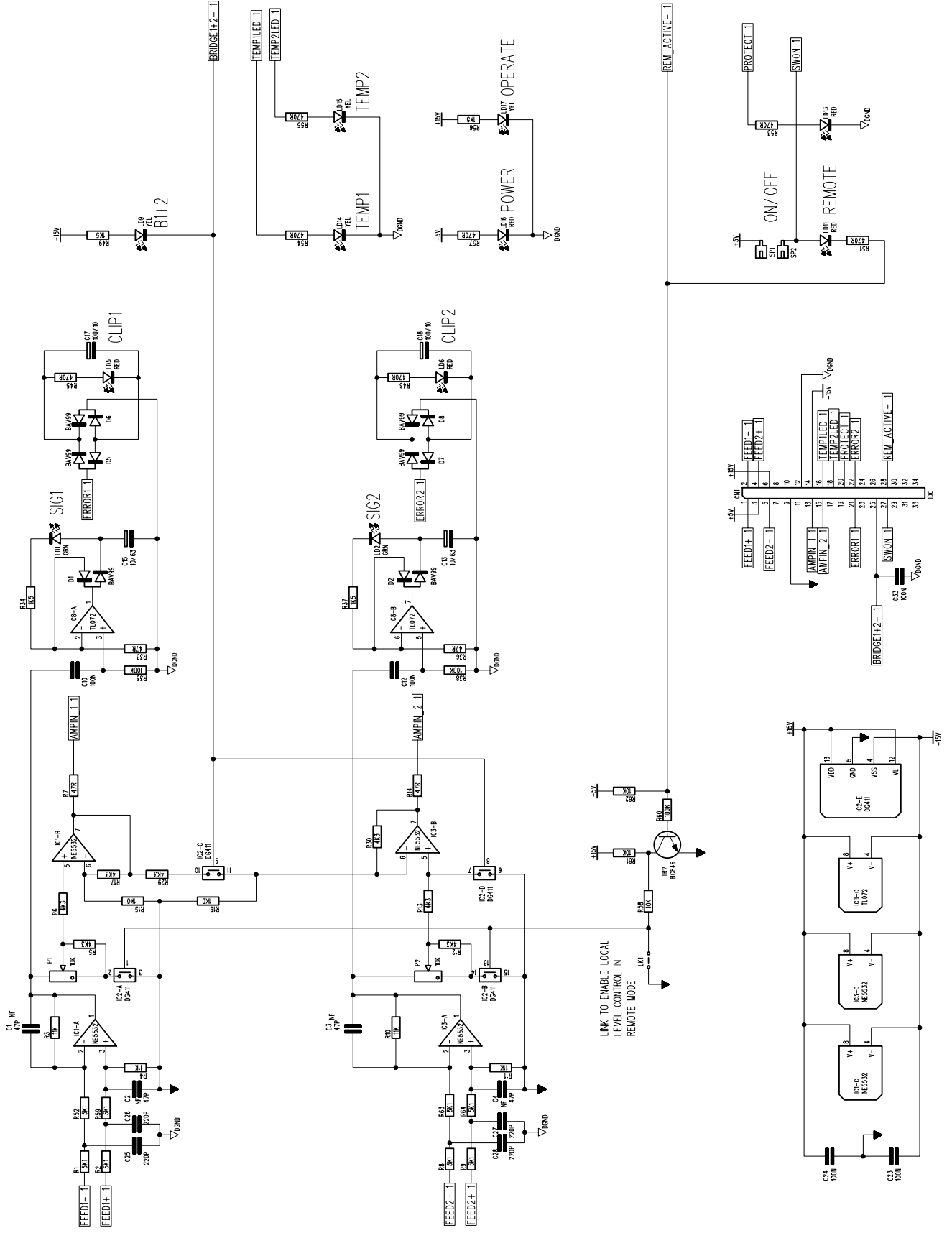
MATERIAL:

FINISH:

ISSUE COMMENTS:

- 1. PRE-PRODUCTION RELEASE 10-05-99
- 2. PRODUCTION RELEASE 22-06-99
- 2A. EGN204 02/09/99
- 2B. EGN0330 05/05/00

PART NUMBER:



THIS DRAWING IS THE COPYRIGHT OF BSS AUDIO LTD. ALL REPRODUCTION AND COPYING OTHER THAN THAT FOR LICENSED MANUFACTURERS IS STRICTLY PROHIBITED. NO PART OF THIS DRAWING IS TO BE REPRODUCED OR TRANSMITTED IN ANY FORM OR BY ANY MEANS, ELECTRONIC OR MECHANICAL, WITHOUT PRIOR WRITTEN AUTHORIZATION IS IN VIOLATION OF THE COPYRIGHT.
© BSS Audio Ltd 1994

DRAWING NUMBER ISSUE

S-C1100AS-03

HARMAN INTERNATIONAL
INDUSTRIES LIMITED
CRANBORNE HOUSE
CRANBORNE ROAD
POTTERS BAR
HERTS
ENGLAND
Tel 01707 660667
Fax 01707 660755



TITLE: PULSE 2x1100

SHEET 1

FILENAME: S-C1100AS-03.SCH

DRAWN: BPV

DATE: 8/11/1999

CHECKED:

MATERIAL:

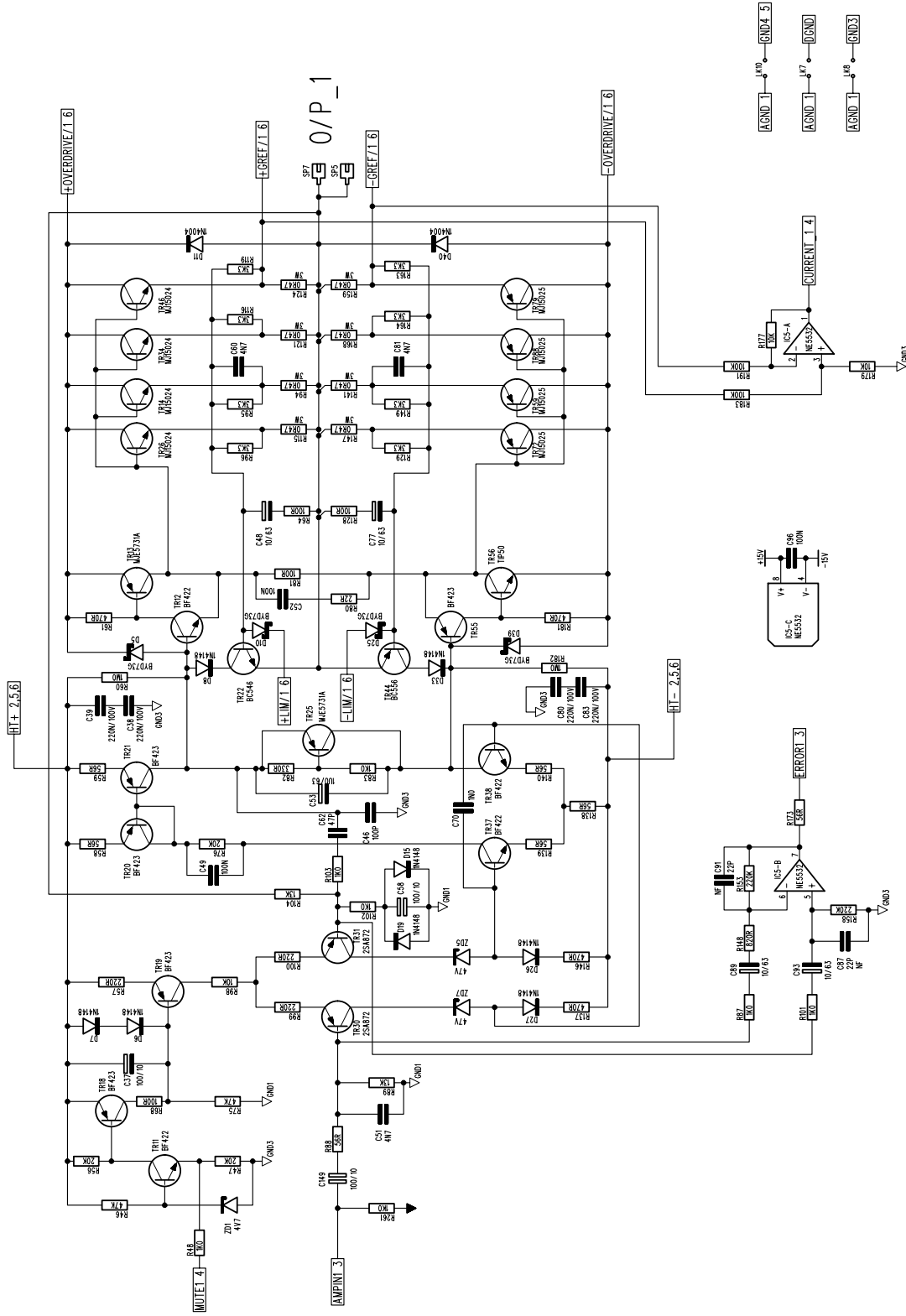
FINISH:

ISSUE COMMENTS:

1. PROTOTYPE
2. PRE-PRODUCTION ISSUE
- 2A. EGN0231 TX5 SYMBOL CORRECTED
- 2B. EGN0251 15/11/99
- 2C. EGN0275 11/01/00
- 2D. EGN0305 02/03/00
3. EGN0355 05/05/00

PART NUMBER:

THIS DRAWING IS THE COPYRIGHT OF BSS Audio Ltd. ALL REPRODUCTION
WITHOUT WRITTEN PERMISSION IS STRICTLY PROHIBITED. ANY
INTERNAL USE OR DISCLOSURE OF PART OR WHOLE TO A THIRD PARTY
WITHOUT PRIOR WRITTEN AUTHORIZATION IS IN VIOLATION OF THE
COPYRIGHT.
© BSS Audio Ltd 1994



DRAWING NUMBER ISSUE

S-C1100AS-03

HARMAN INTERNATIONAL
INDUSTRIES LIMITED
CRANBORNE HOUSE
CRANBORNE ROAD
POTTERS BAR
HERTS
ENGLAND
Tel 01707 660667
Fax 01707 660755



TITLE: PULSE 2x1100

SHEET 2
FILENAME: S-C1100AS-03.SCH

DRAWN: BPV

DATE: 8/11/1999

CHECKED:

MATERIAL:

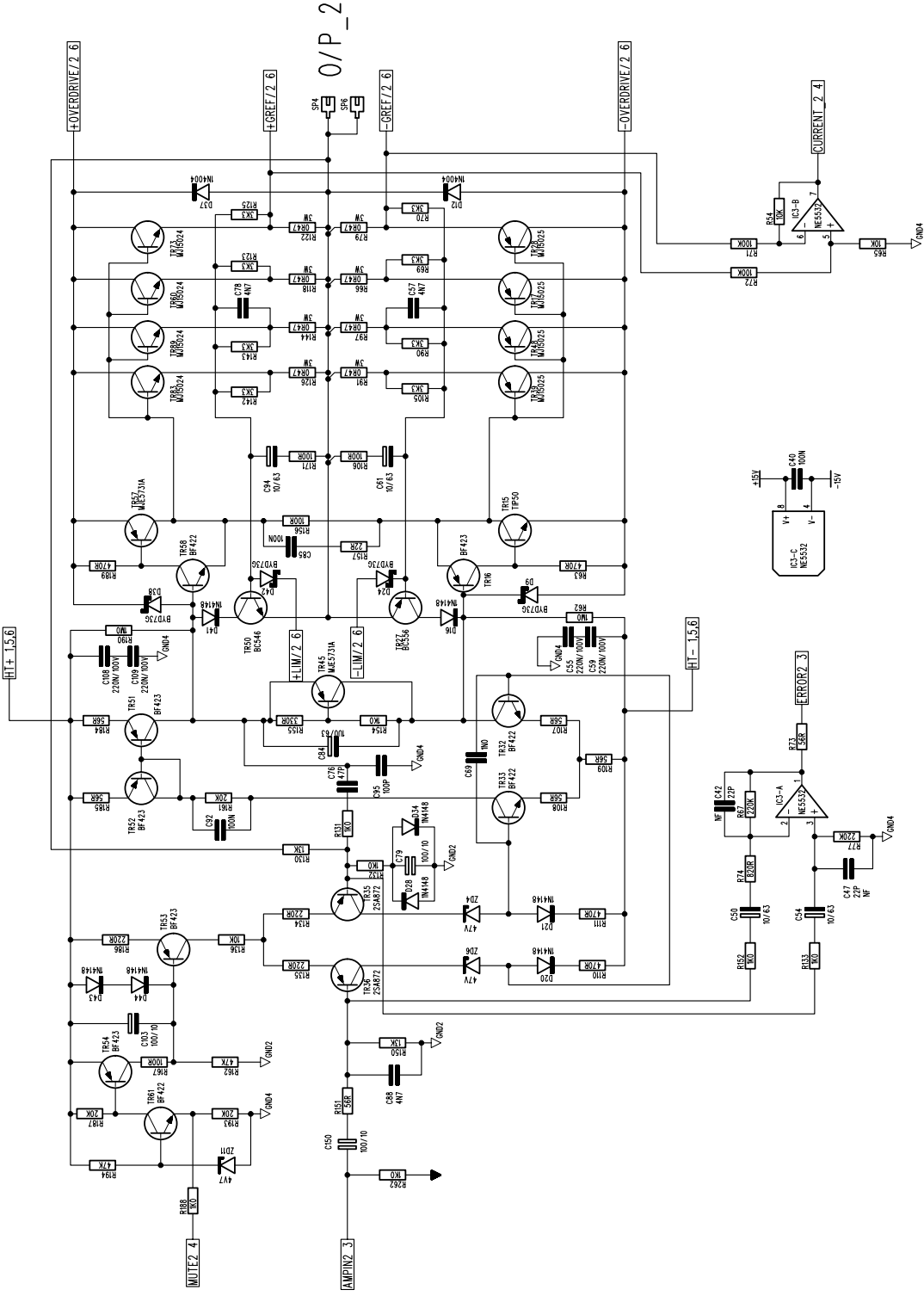
FINISH:

ISSUE COMMENTS:

- 1. PROTOTYPE
- 2. PRE-PRODUCTION ISSUE
- 2A. ECN0231 TX5 SYMBOL CORRECTED
- 2B. ECN0251 15/11/99
- 2C. ECN0275 11/01/00
- 2D. ECN0305 02/03/00
- 3. ECN0335 05/05/00

PART NUMBER:

THIS DRAWING IS THE COPYRIGHT OF BSS Audio Ltd. ALL REPRODUCTION
WITHOUT WRITTEN PERMISSION IS PROHIBITED. THIS DRAWING IS THE PROPERTY OF BSS AUDIO LTD. AND IS NOT TO BE REPRODUCED OR TRANSMITTED IN ANY FORM OR BY ANY MEANS, ELECTRONIC OR MECHANICAL, WITHOUT PRIOR WRITTEN AUTHORISATION IS IN VIOLATION OF THE
COPYRIGHT. © BSS Audio Ltd 1994



DRAWING NUMBER ISSUE
S-C1100AS-03

HARMAN INTERNATIONAL
 INDUSTRIES LIMITED
 CRANBORNE HOUSE
 CRANBORNE ROAD
 POTTERS BAR
 HERTS
 ENG 3JN
 Tel 01707 660667
 Fax 01707 660755

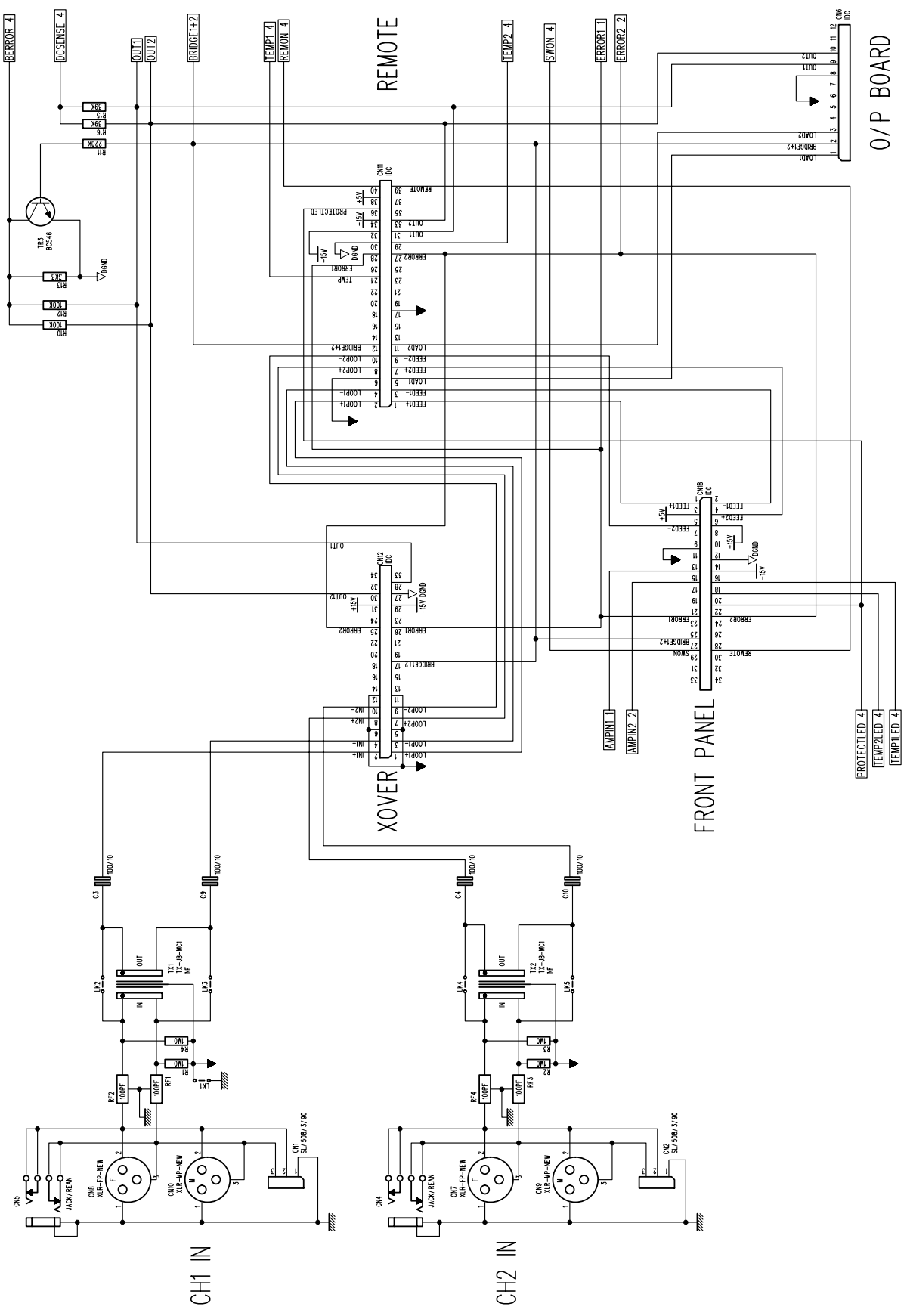


TITLE: PULSE 2x1100
 SHEET 3
 FILENAME: S-C1100AS-03.SCH
 DRAWN: BPV
 DATE: 8/11/1999
 CHECKED:

MATERIAL:
 FINISH:

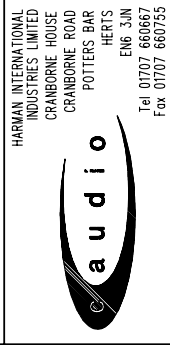
ISSUE COMMENTS:
 1. PROTOTYPE
 2. PRE-PRODUCTION ISSUE
 2A. EGN0231 TX5 SYMBOL CORRECTED
 2B. EGN0251 15/11/99
 2C. EGN0275 11/01/00
 2D. EGN0305 02/03/00
 3. EGN0335 05/05/00

PART NUMBER:
 THIS DRAWING IS THE COPYRIGHT OF BSS Audio Ltd. ALL REPRODUCTION
 WITHOUT WRITTEN PERMISSION IS STRICTLY PROHIBITED. ANY
 INTERNAL USE OR DISCLOSURE OF PART OR WHOLE TO A THIRD PARTY
 WITHOUT PRIOR WRITTEN AUTHORISATION IS IN VIOLATION OF THE
 COPYRIGHT.
 © BSS Audio Ltd 1994



DRAWING NUMBER ISSUE

S-C1100AS-03



TITLE: PULSE 2x1100

SHEET 4

FILENAME: S-C1100AS-03.SCH

DRAWN: BPV

DATE: 8/11/1999

CHECKED:

MATERIAL:

FINISH:

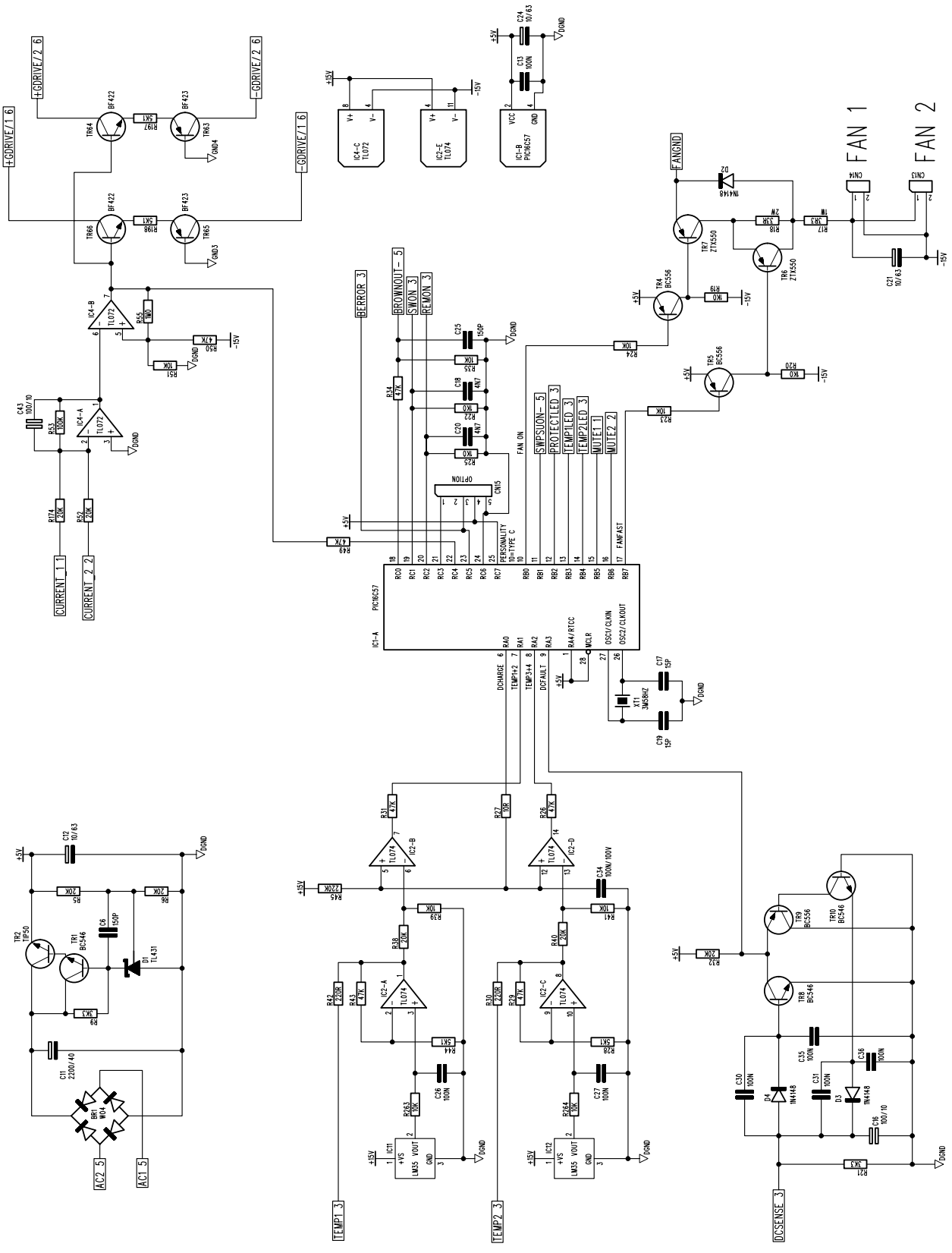
ISSUE COMMENTS:

1. PROTOTYPE
2. PRE-PRODUCTION ISSUE
- 2A. EGN0231 TX5 SYMBOL CORRECTED
- 2B. EGN0251 15/11/99
- 2C. EGN0275 11/01/00
- 2D. EGN0305 02/03/00
3. EGN0335 05/05/00

PART NUMBER:

THIS DRAWING IS THE COPYRIGHT OF BSS Audio Ltd. ALL REPRODUCTION WITHOUT PERMISSION IS PROHIBITED. THIS DRAWING IS THE PROPERTY OF BSS AUDIO LTD. AND IS NOT TO BE REPRODUCED OR TRANSMITTED IN ANY FORM OR BY ANY MEANS, ELECTRONIC OR MECHANICAL, INCLUDING PHOTOCOPYING, RECORDING, OR BY ANY INFORMATION STORAGE AND RETRIEVAL SYSTEM, WITHOUT PRIOR WRITTEN AUTHORIZATION IS IN VIOLATION OF THE COPYRIGHT.

© BSS Audio Ltd 1994



DRAWING NUMBER

ISSUE

S-C1100AS-03

HARMAN INTERNATIONAL
INDUSTRIES LIMITED
CRANBORNE HOUSE
CRANBORNE ROAD
POTTERS BAR
HERTS
ENGLAND
Tel 01707 660667
Fax 01707 660755



TITLE: PULSE 2x1100

SHEET 5

FILENAME: S-C1100AS-03.SCH

DRAWN: BPV

DATE: 8/11/1999

CHECKED:

MATERIAL:

FINISH:

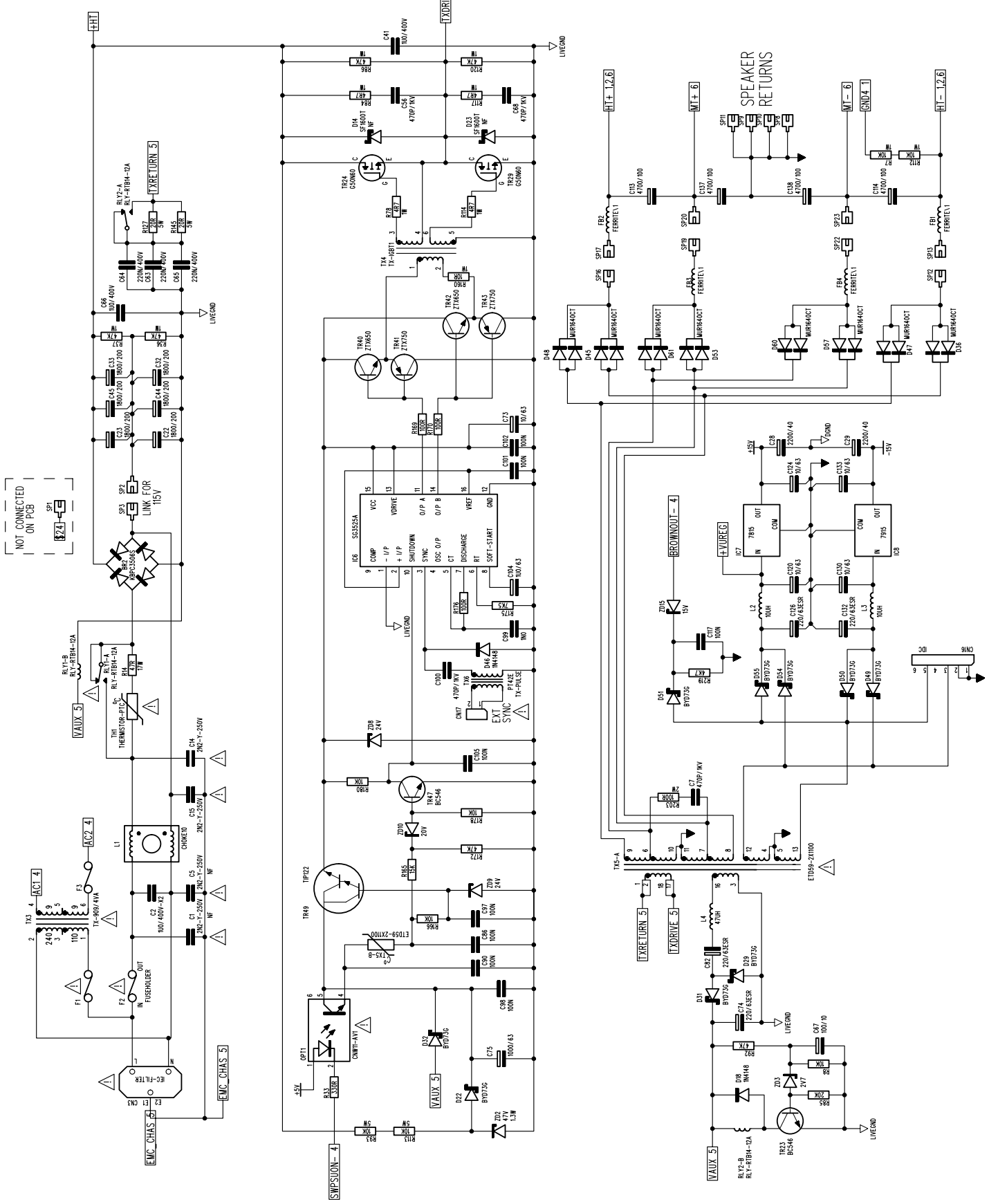
ISSUE COMMENTS:

1. PROTOTYPE
2. PRE-PRODUCTION ISSUE
- 2A. ECN0231 TX5 SYMBOL CORRECTED
- 2B. ECN0251 15/11/99
- 2C. ECN0275 11/01/00
- 2D. ECN0305 02/03/00
3. ECN0335 05/05/00

PART NUMBER:

THIS DRAWING IS THE COPYRIGHT OF BSS Audio Ltd. ALL REPRODUCTION
WITHOUT PERMISSION IS PROHIBITED. ANY REPRODUCTION FOR
INTERNAL USE OR DISCLOSURE OF PART OR WHOLE TO A THIRD PARTY
WITHOUT PRIOR WRITTEN AUTHORIZATION IS IN VIOLATION OF THE
COPYRIGHT. © BSS Audio Ltd 1994

NOT CONNECTED
ON PCB



DRAWING NUMBER ISSUE

S-C1100AS-03

HARMAN INTERNATIONAL
INDUSTRIES LIMITED
CRANBORNE HOUSE
CRANBORNE ROAD
POTTERS BAR
HERTS
ENGLAND
Tel 01707 660667
Fax 01707 660755



TITLE: PULSE 2x1100
SHEET 6

FILENAME: S-C1100AS-03.SCH

DRAWN: BPV

DATE: 8/11/1999

CHECKED:

MATERIAL:

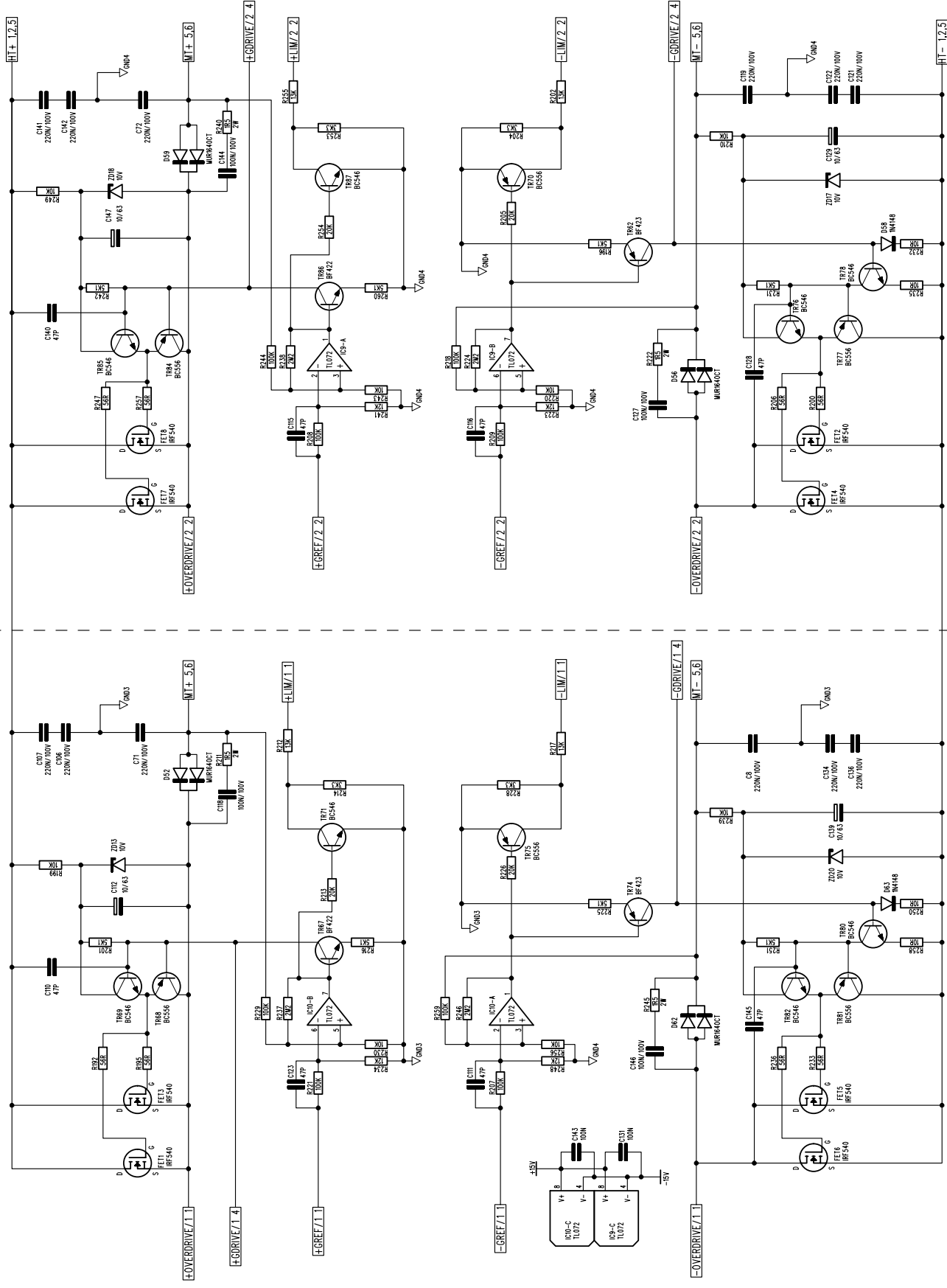
FINISH:

ISSUE COMMENTS:

1. PROTOTYPE
2. PRE-PRODUCTION ISSUE
- 2A. ECN0231 TYS SYMBOL CORRECTED
- 2B. ECN0251 15/11/99
- 2C. ECN0275 11/01/00
- 2D. ECN0305 02/03/00
3. ECN0335 05/05/00

PART NUMBER:

THIS DRAWING IS THE COPYRIGHT OF BSS Audio Ltd. ALL REPRODUCTION
WITHOUT PERMISSION IS PROHIBITED. THIS DRAWING IS FOR INTERNAL
INTERNAL USE OR DISCLOSURE OF PART OR WHOLE TO A THIRD PARTY
WITHOUT PRIOR WRITTEN AUTHORISATION IS IN VIOLATION OF THE
COPYRIGHT.
© BSS Audio Ltd 1994



DRAWING NUMBER ISSUE
S-C208AS-01

CRANBORNE HOUSE
 CRANBORNE ROAD
 CRANBORNE IND EST
 POTTERS BAR
 HERTS
 EN9 3JH
 Tel 07707 660667
 Fax 07707 660755



TITLE: PULSE XOVER CARD

SHEET 1 OF 1

FILENAME: S-C208AS-01.SCH

DRAWN: BPV

DATE: 01-12-99

CHECKED:

MATERIAL:

FINISH:

ISSUE COMMENTS:

1. PRODUCTION RELEASE 01-12-99
 A. R35,41,50,57 MADE 'NF'

DRAWING No WAS C208A-1A.

THIS DRAWING IS THE PROPERTY OF BSS AND IS NOT TO BE REPRODUCED OR COPIED IN ANY MANNER WITHOUT THE WRITTEN PERMISSION OF BSS. ANY UNAUTHORIZED REPRODUCTION OR INTERNAL USE, OR DISCLOSURE OF PART OR WHOLE TO A THIRD PARTY WITHOUT PRIOR WRITTEN AUTHORIZATION IS IN VIOLATION OF THE COPYRIGHT. © BSS Audio Ltd 1984

