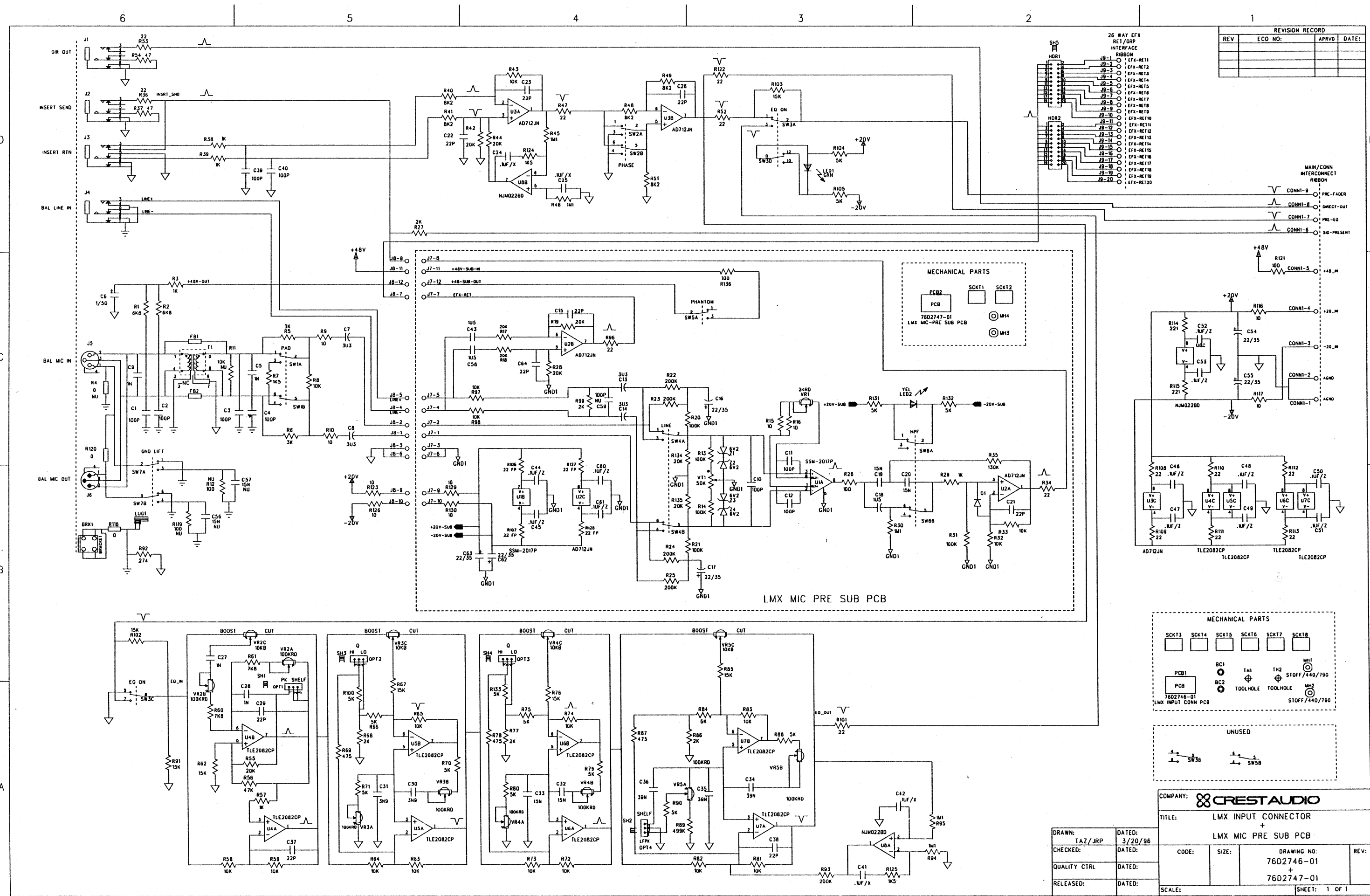


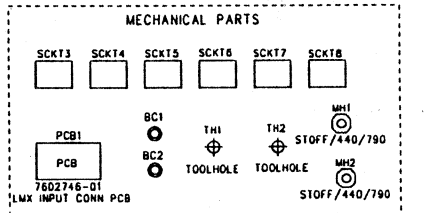
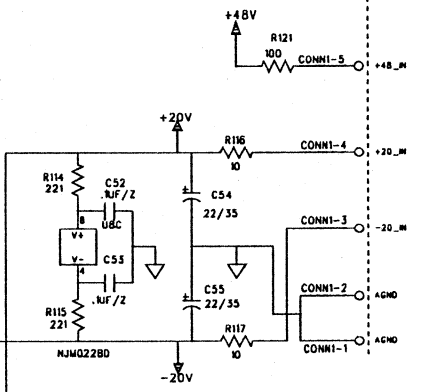
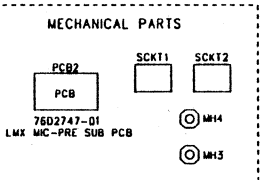
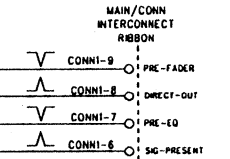
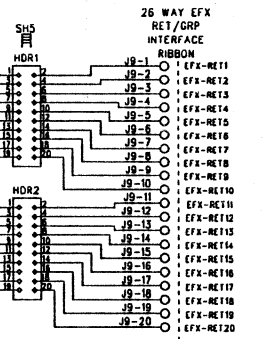


CENTURY LMx SCHEMATICS

<i>LOCATION</i>	<i>DESCRIPTION</i>	<i>SCHEMATIC #</i>	<i>DWG #</i>	<i>REV #</i>
INPUT MODULE	INPUT CONNECTOR / MIC PRE SUB	1	76D274 6/7	01
	INPUT MAIN (1 OF 2)	2	76D2744	02
	INPUT MAIN (2 OF 2)	3	76D2744	02
	INPUT MAIN SUB BOARD	4	76D2745	02
GROUP MODULE	GROUP CONNECTOR / SUB (1 OF 2)	5	76D275 0/1	01
	GROUP CONNECTOR / SUB (2 OF 2)	6	76D275 0/1	01
	GROUP MAIN (1 OF 2)	7	76D2748	02
	GROUP MAIN (2 OF 2)	8	76D2748	02
	GROUP MAIN SUB (1 OF 2)	9	76D2749	01
	GROUP MAIN SUB (2 OF 2)	10	76D2749	01
LEFT / RIGHT MODULE	L R CONNECTOR	11	76D2754	01
	L R CONNECTOR SUB	12	76D2755	01
	L R MAIN (1 OF 2)	13	76D2752	01
	L R MAIN (2 OF 2)	14	76D2752	01
	DYNAMICS SUB BOARD	15	76D2891	00
	L R MAIN SUB (1 OF 2)	16	76D2753	01
	L R MAIN SUB (2 OF 2)	17	76D2753	01
MASTER MODULE	MASTER CONNECTOR (1 OF 2)	18	76D2757	01
	MASTER CONNECTOR (2 OF 2)	19	76D2757	01
	MASTER MAIN (1 OF 2)	20	76D2756	01
	MASTER MAIN (2 OF 2)	21	76D2756	01
METER BRIDGE	DIMMER BOARD	22	N/A	
	LMX METER DEMUX	23	76D2758	01
	TWO GROUP LED	24	76D2817	00
	TWO SOLO LED	25	76D2818	00
	FIVE GROUP LED	26	76D2816	00
	REMOTE VOLUME CONTROL BOARD	27	76B2942	00
RIBBON CABLE PIN OUT DIAGRAMS	RIBBON PIN OUTS	28	N/A	



REVISION RECORD			
REV	ECO NO:	APRVD	DATE:



COMPANY: **CRESTAUDIO**

TITLE: **LMX INPUT CONNECTOR + LMx MIC PRE SUB PCB**

DRAWN: TAZ/JRP	DATED: 3/20/96	CODE:	SIZE:	DRAWING NO: 76D2746-01 + 76D2747-01	REV:
CHECKED:	DATED:	SCALE:			SHEET: 1 OF 1
QUALITY CTRL:	DATED:				
RELEASED:	DATED:				

Schematic #1

6

5

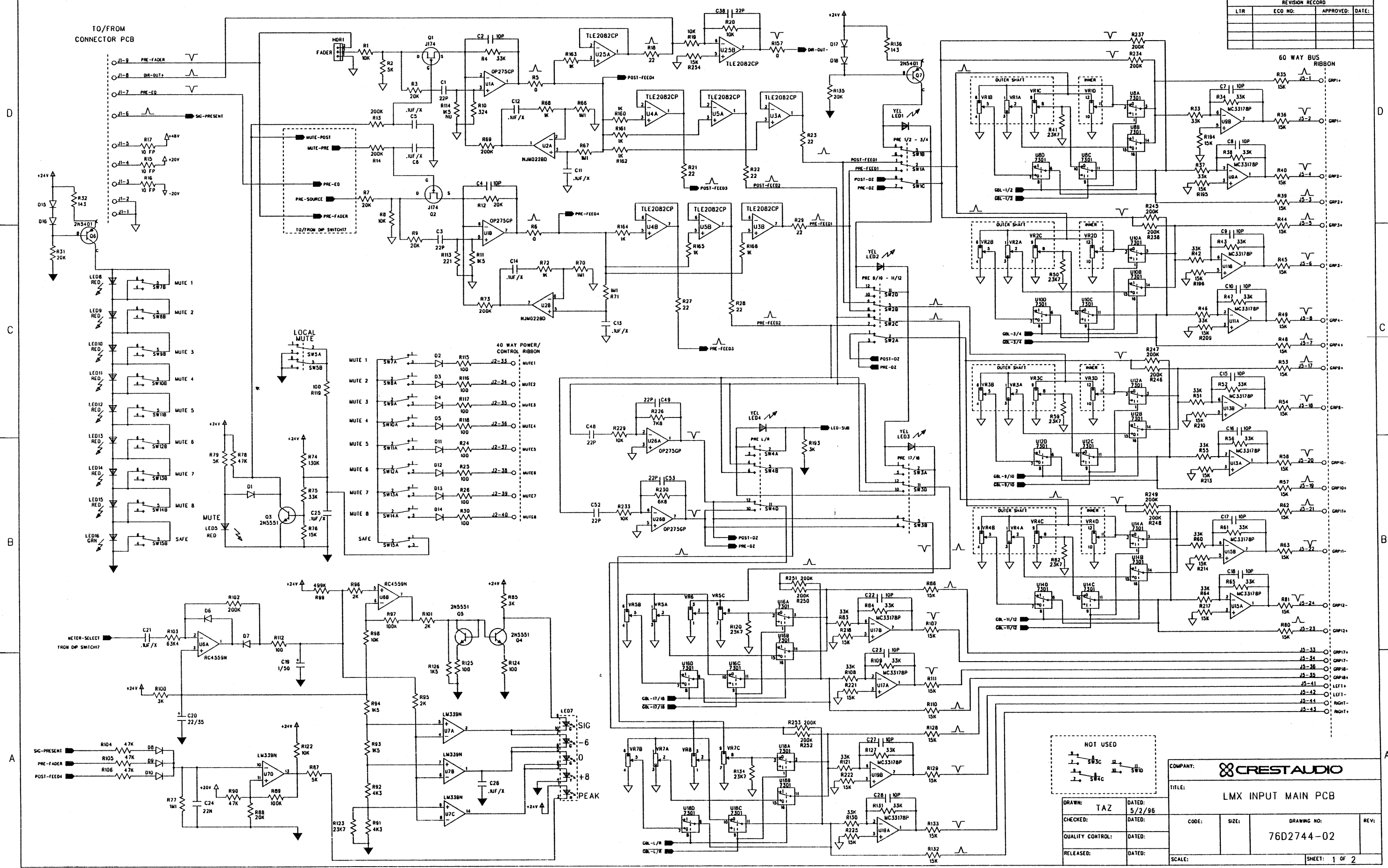
4

3

2

1

REVISION RECORD			
LTR	ECO NO:	APPROVED:	DATE:



COMPANY: CREST AUDIO		TITLE: LMX INPUT MAIN PCB	
DRAWN: TAZ	DATED: 5/2/96	CODE:	SIZE:
CHECKED:	DATED:	DRAWING NO: 7602744-02	REV:
QUALITY CONTROL:	DATED:	SCALE:	SHEET: 1 of 2
RELEASED:	DATED:		

Schematic #2

6

5

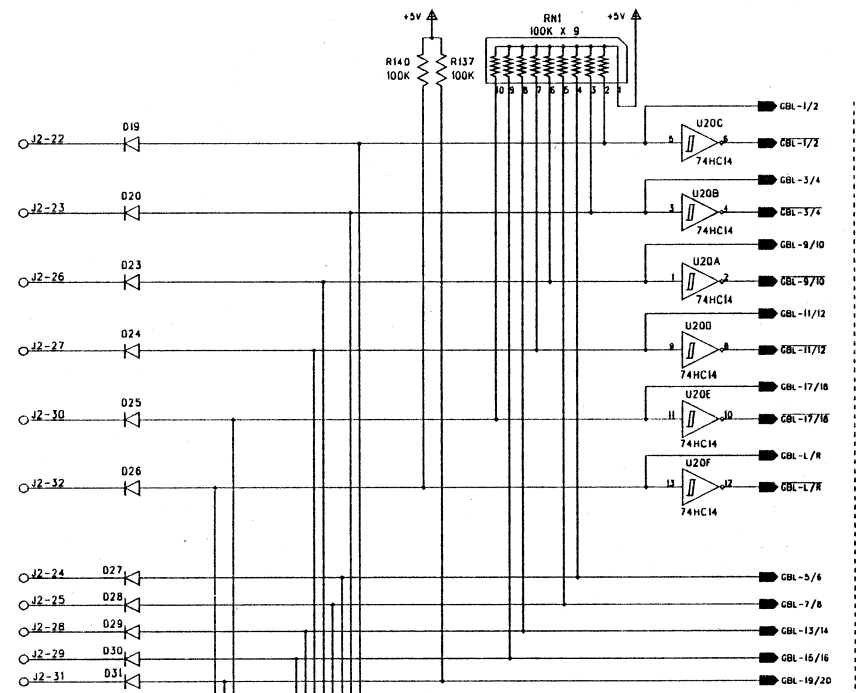
4

3

2

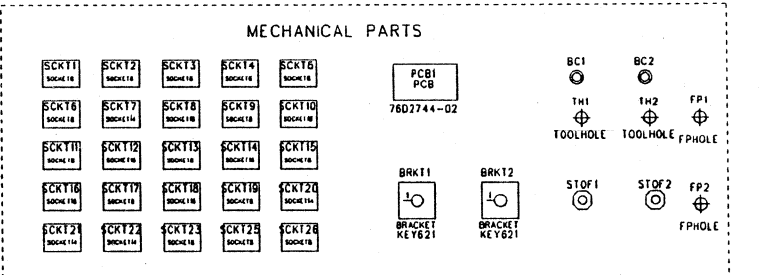
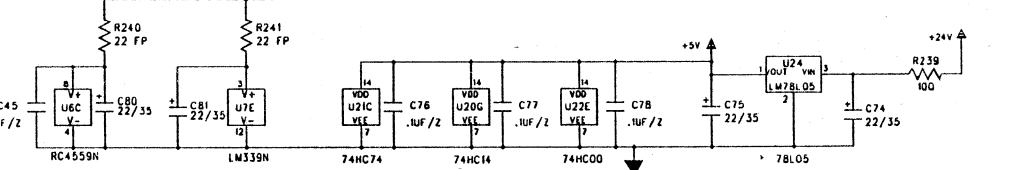
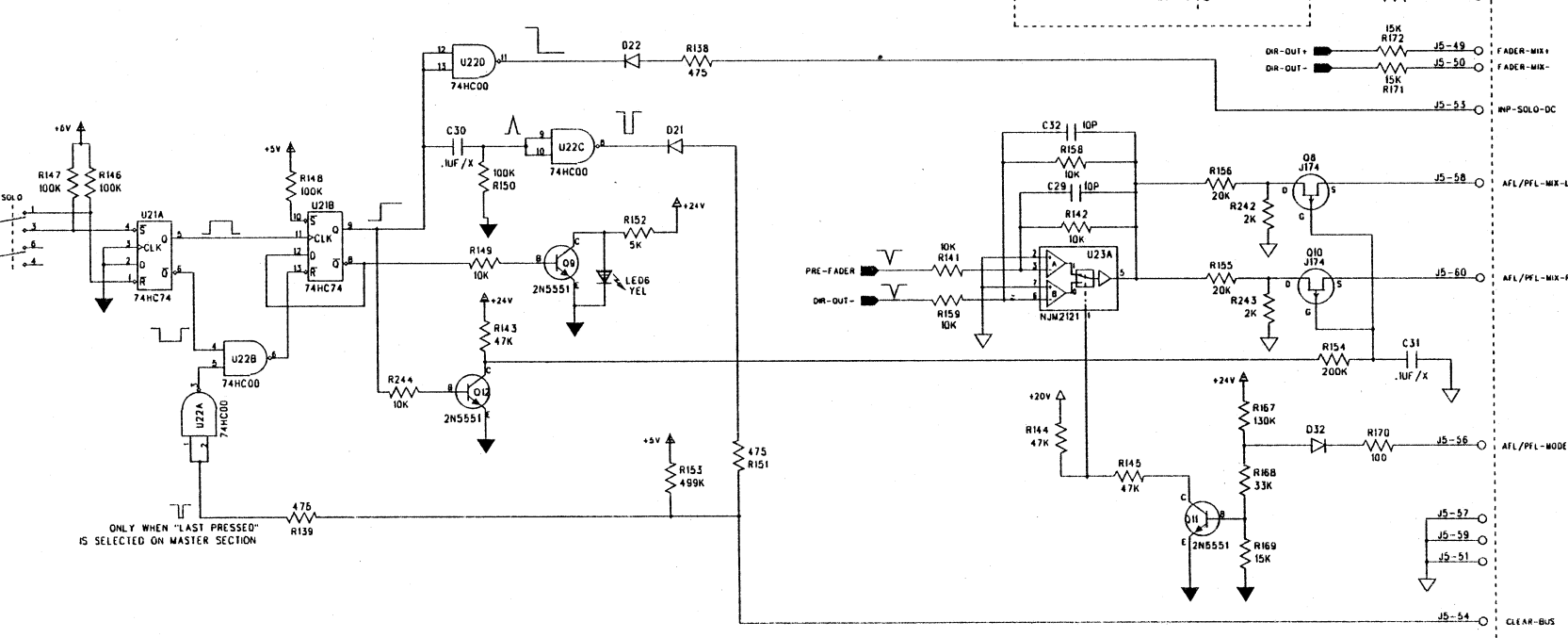
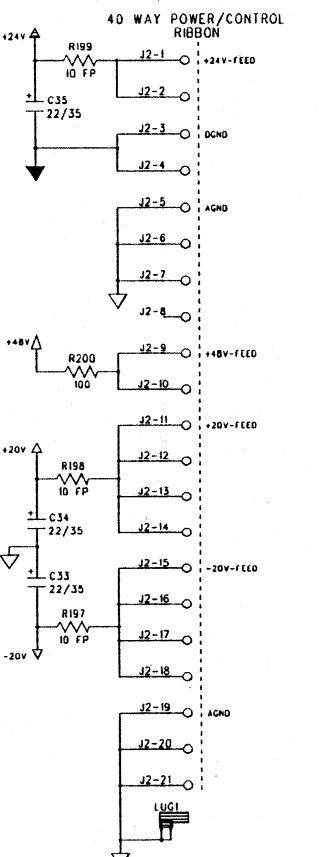
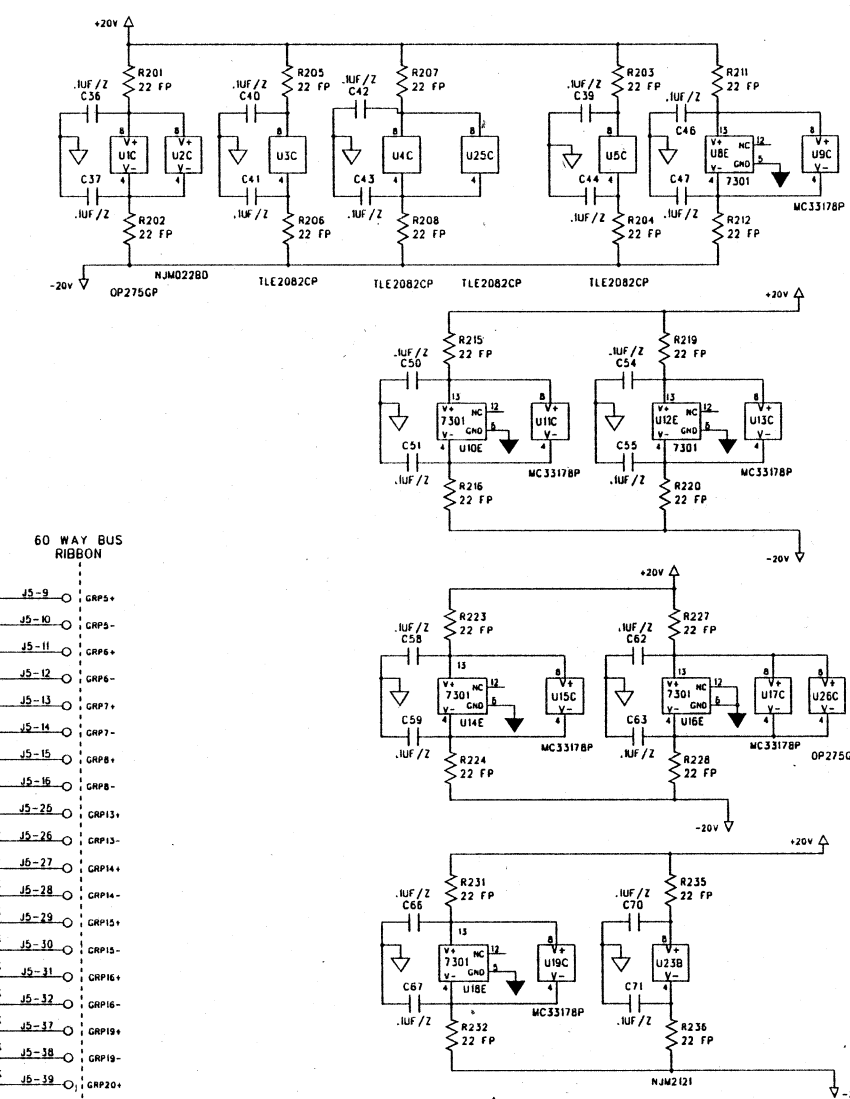
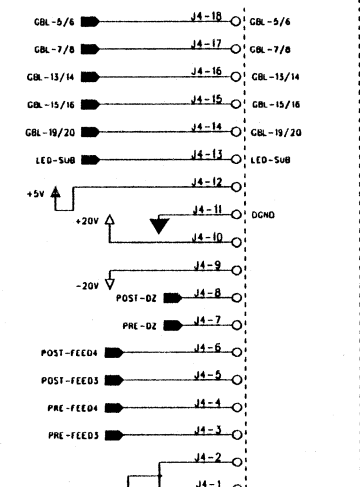
1

REVISION RECORD			
LT#	ECO NO.	APPROVED:	DATE:



SWITCH	CONTACT #	FUNCTION	DEFAULT
SW16	1	FORCE GRP1/2 TO LEV/PAN MODE	OFF
	2	FORCE GRP3/4 TO LEV/PAN MODE	OFF
	3	FORCE GRP5/6 TO LEV/PAN MODE	OFF
	4	FORCE GRP7/8 TO LEV/PAN MODE	OFF
	5	FORCE GRP9/10 TO LEV/PAN MODE	OFF
	6	FORCE GRP11/12 TO LEV/PAN MODE	OFF
	7	FORCE GRP13/14 TO LEV/PAN MODE	OFF
	8	FORCE GRP15/16 TO LEV/PAN MODE	OFF
SW17	1	FORCE GRP17/18 TO LEV/PAN MODE	OFF
	2	FORCE GRP19/20 TO LEV/PAN MODE	OFF
	3	FORCE LEFT/RIGHT TO LEV/PAN MODE	OFF
	4	PRE FADER TO GROUPS - SELECTABLE	ON
	5	PRE EQ TO GROUPS - SELECTABLE	OFF
	6	PRE SOURCE TO GROUPS MUTEABLE?	ON
	7	PRE FADER TO CHANNEL METER	ON
	8	POST FADER TO CHANNEL METER	OFF

CONNECTION TO LMX MAIN SUB PCB



CRESTAUDIO

TITLE: LMX INPUT MAIN PCB

DRAWN: TAZ DATED: 5/2/96

CHECKED: DATED:

QUALITY CONTROL: DATED:

RELEASED: DATED:

CODE: SIZE: DRAWING NO: 76D2744-02 REV:

SCALE: SHEET: 2 OF 2

6

5

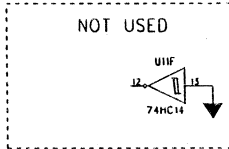
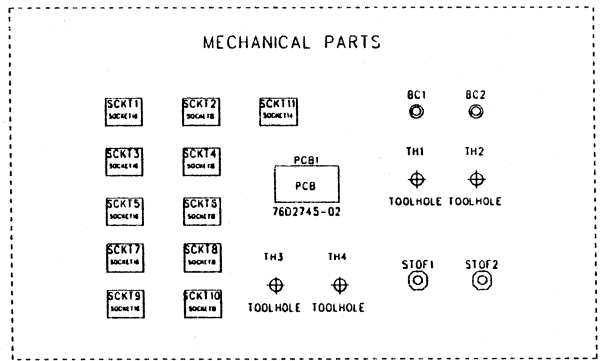
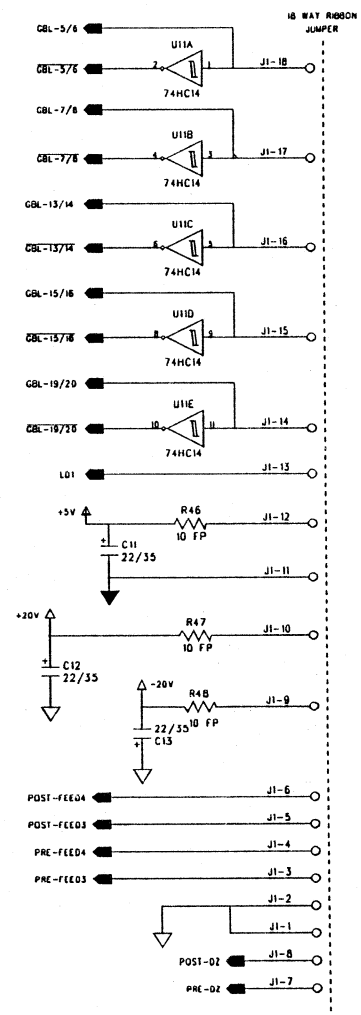
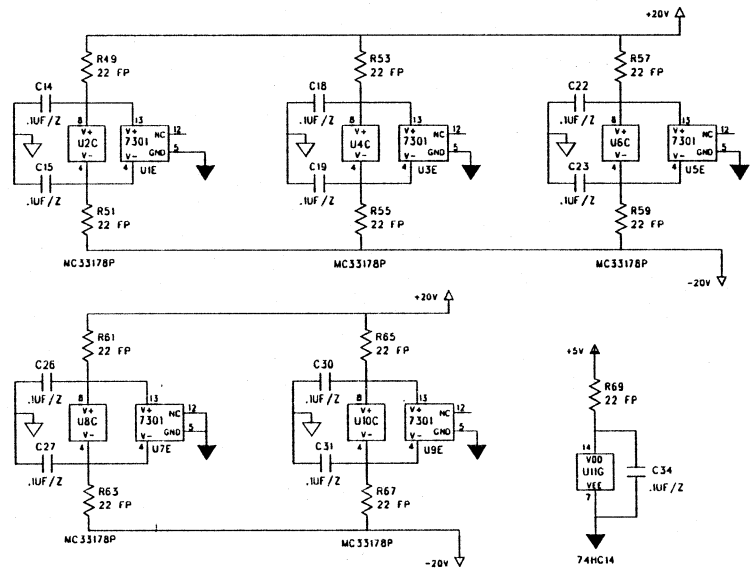
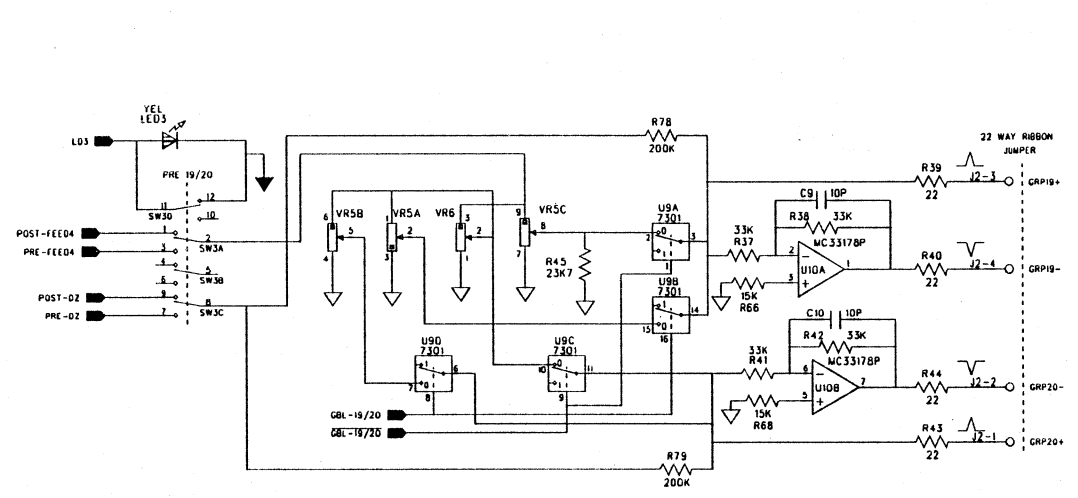
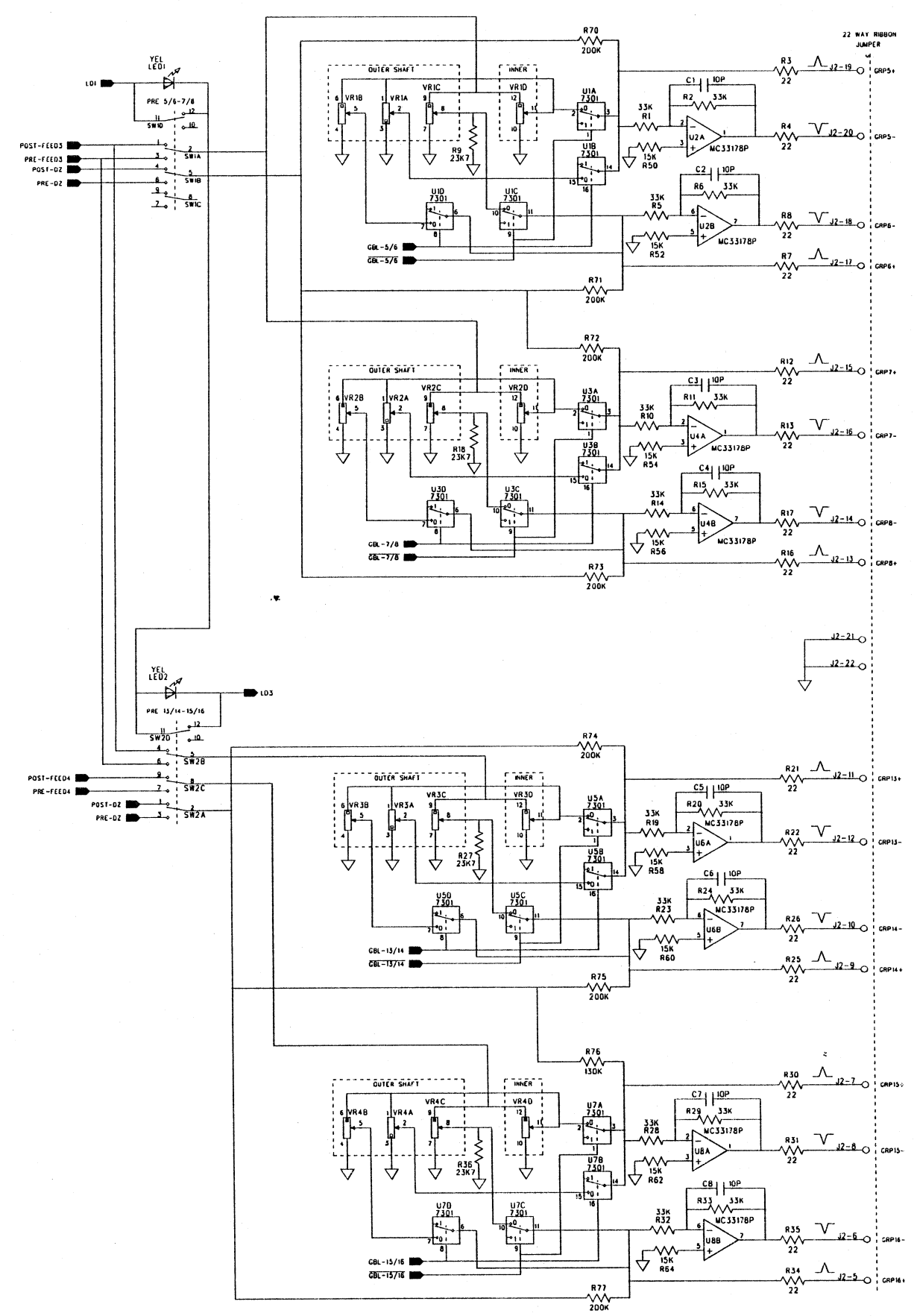
4

3

2

1

REVISION RECORD			
LTR	ECO NO.	APPROVED:	DATE:



CRESTAUDIO

FILE: LMX INPUT MAIN SUB PCB

DRAWN: TAZ DATED: 5/2/96

CHECKED: DATED:

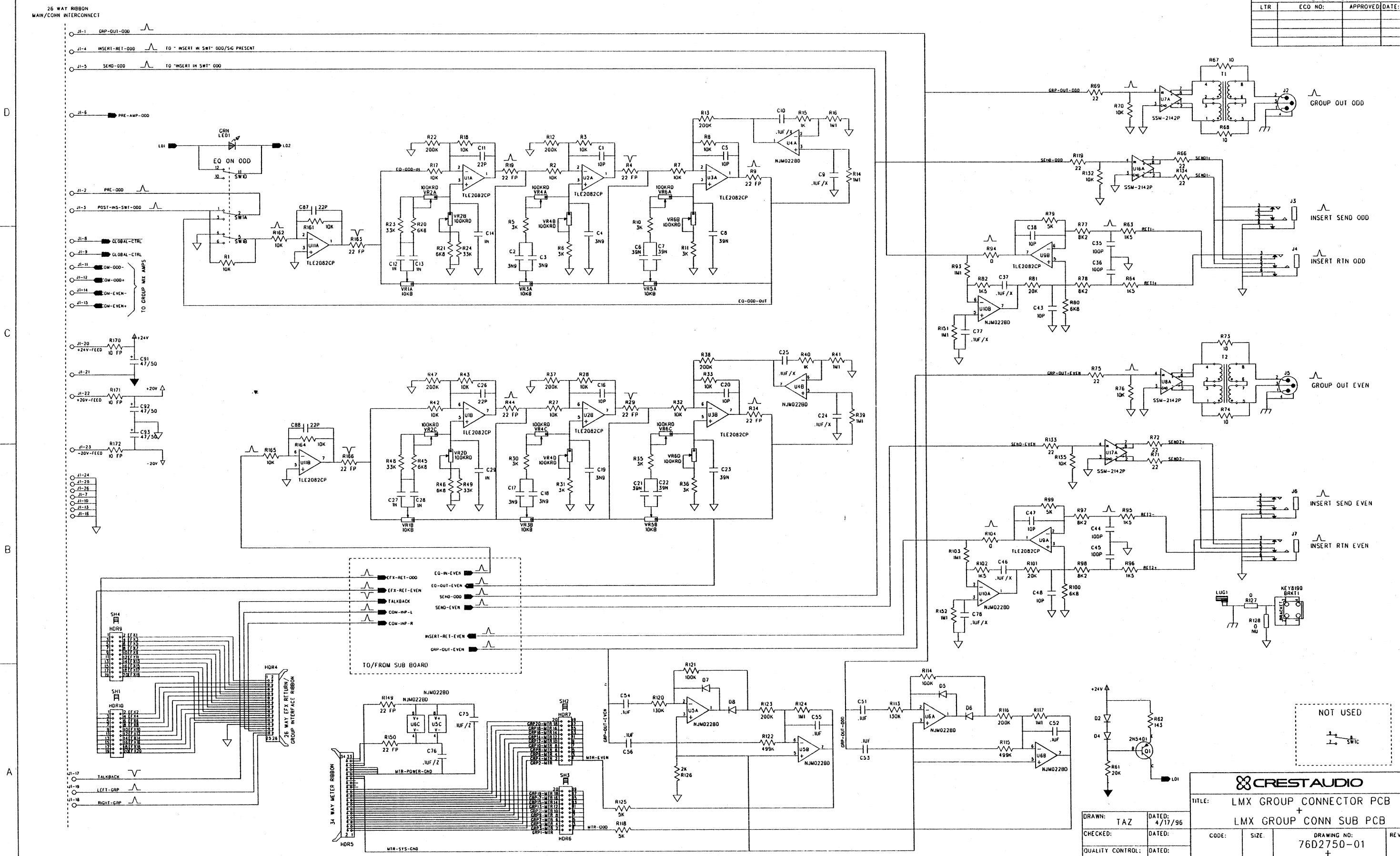
QUALITY CONTROL: DATED:

RELIASSED: DATED:

CODE: SIZE: DRAWING NO: 7602745-02

SCALE: SHEET: 1 OF 1

REVISION RECORD			
LTR	ECO NO:	APPROVED	DATE:



CRESTAUDIO

TITLE: LMx GROUP CONNECTOR PCB
+
LMx GROUP CONN SUB PCB

DRAWN: TAZ	DATED: 4/17/96	CODE:	SIZE:	DRAWING NO: 76D2750-01	REV:
CHECKED:	DATED:			76D2751-01	
QUALITY CONTROL:	DATED:				
RELEASED:	DATED:				

SCALE: SHEET: 1 OF 2

Schematic #5

6

5

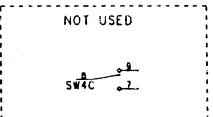
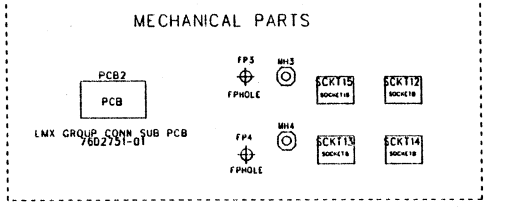
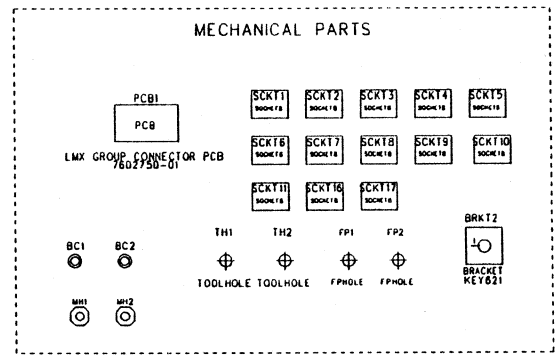
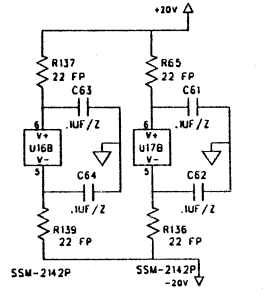
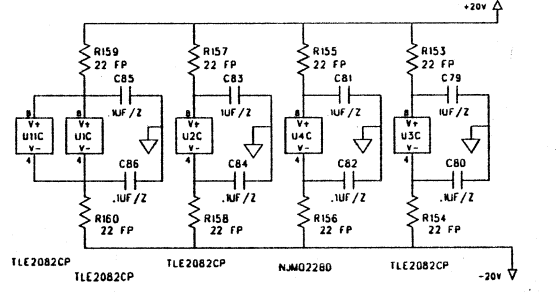
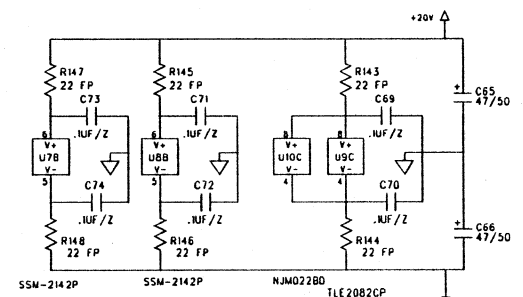
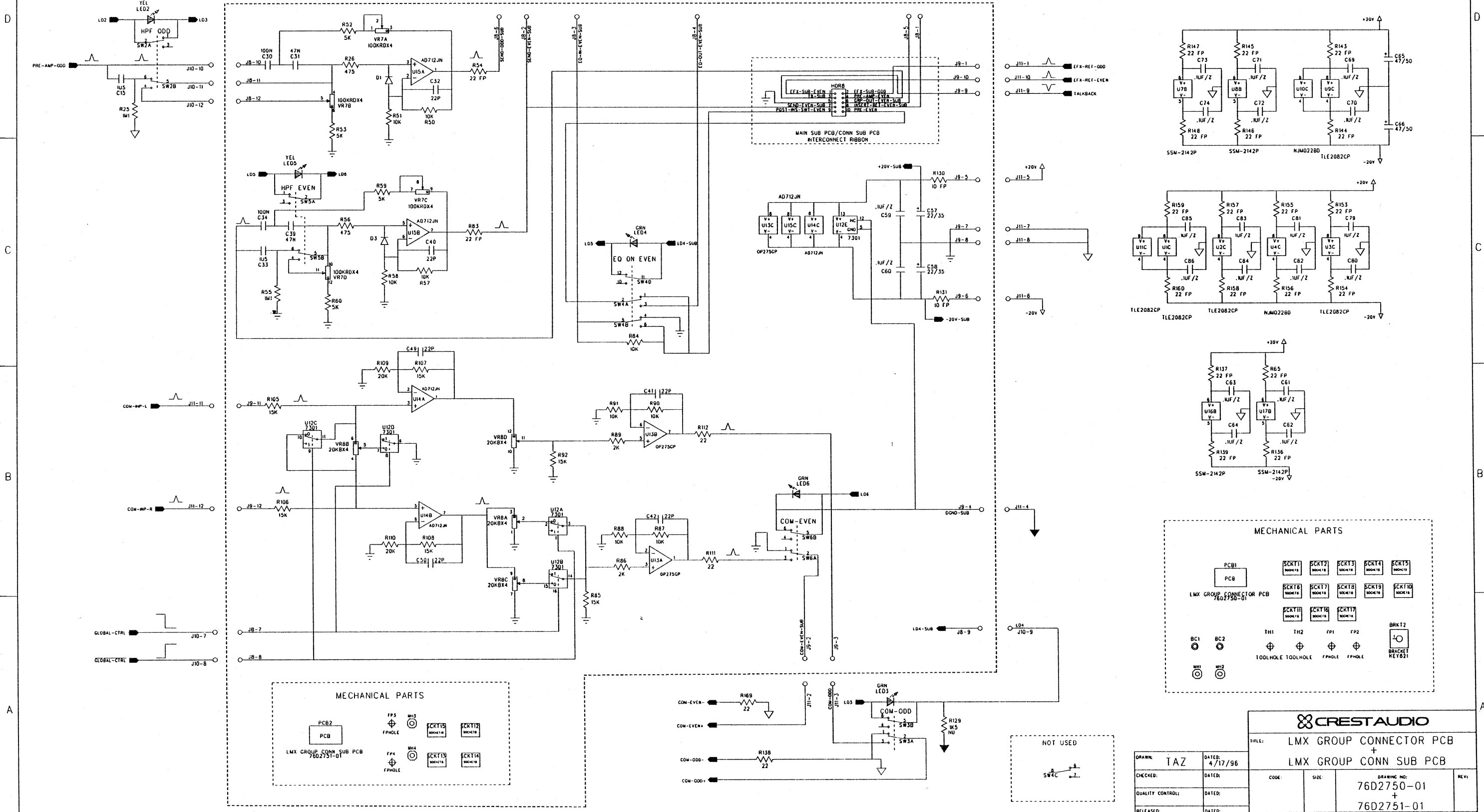
4

3

2

1

REVISION RECORD			
LT#	ECD NO.	APPROVED:	DATE:



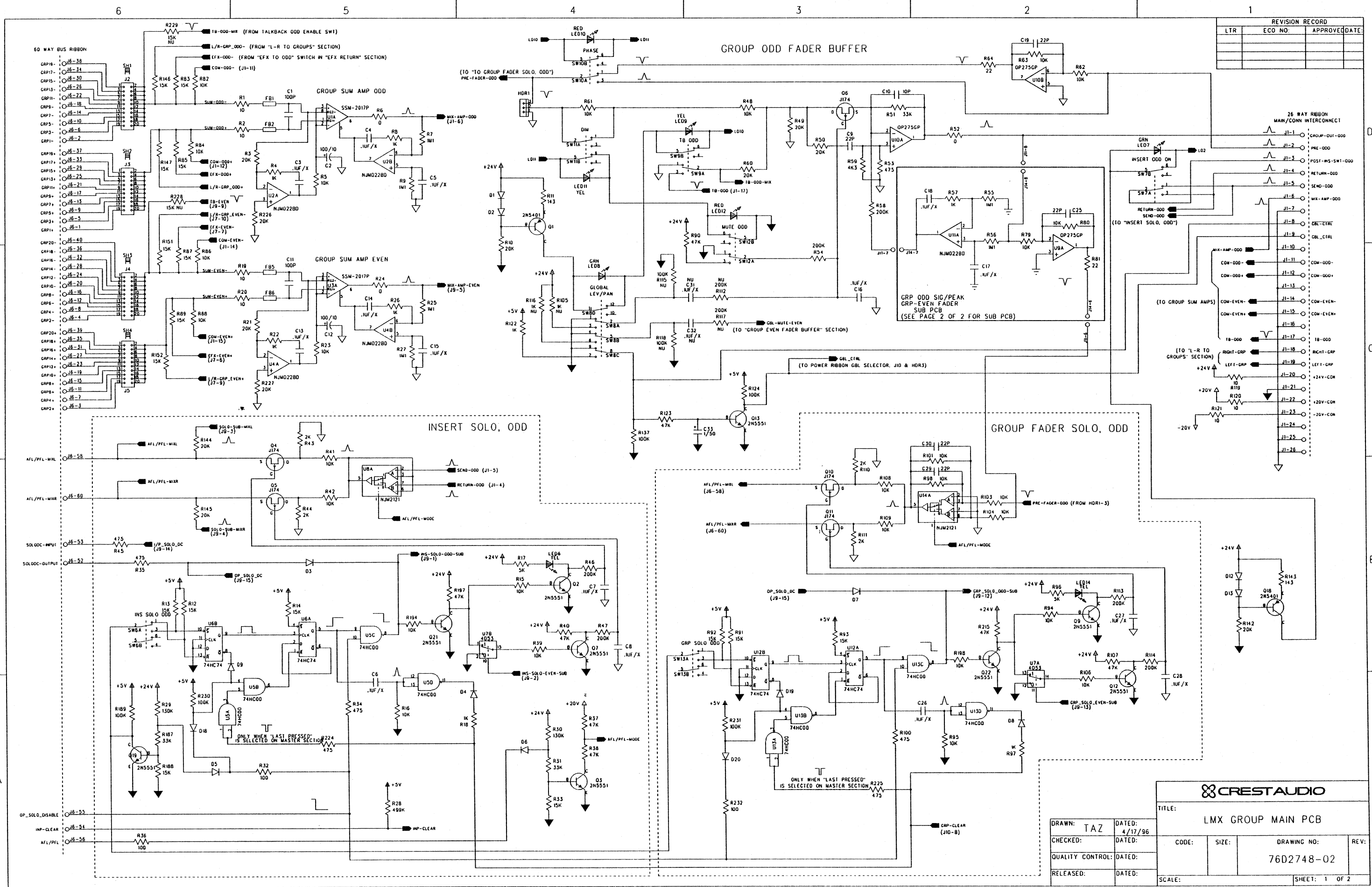
CREST AUDIO

FILE: LMX GROUP CONNECTOR PCB + LMX GROUP CONN SUB PCB

DRAWN: TAZ	DATE: 4/17/96	CODE:	SIZE:	DRAWING NO: 76D2750-01 + 76D2751-01	REV:
CHECKED:	DATE:				
QUALITY CONTROL:	DATE:				
RELEASED:	DATE:				

SCALE: SHEET: 2 OF 2

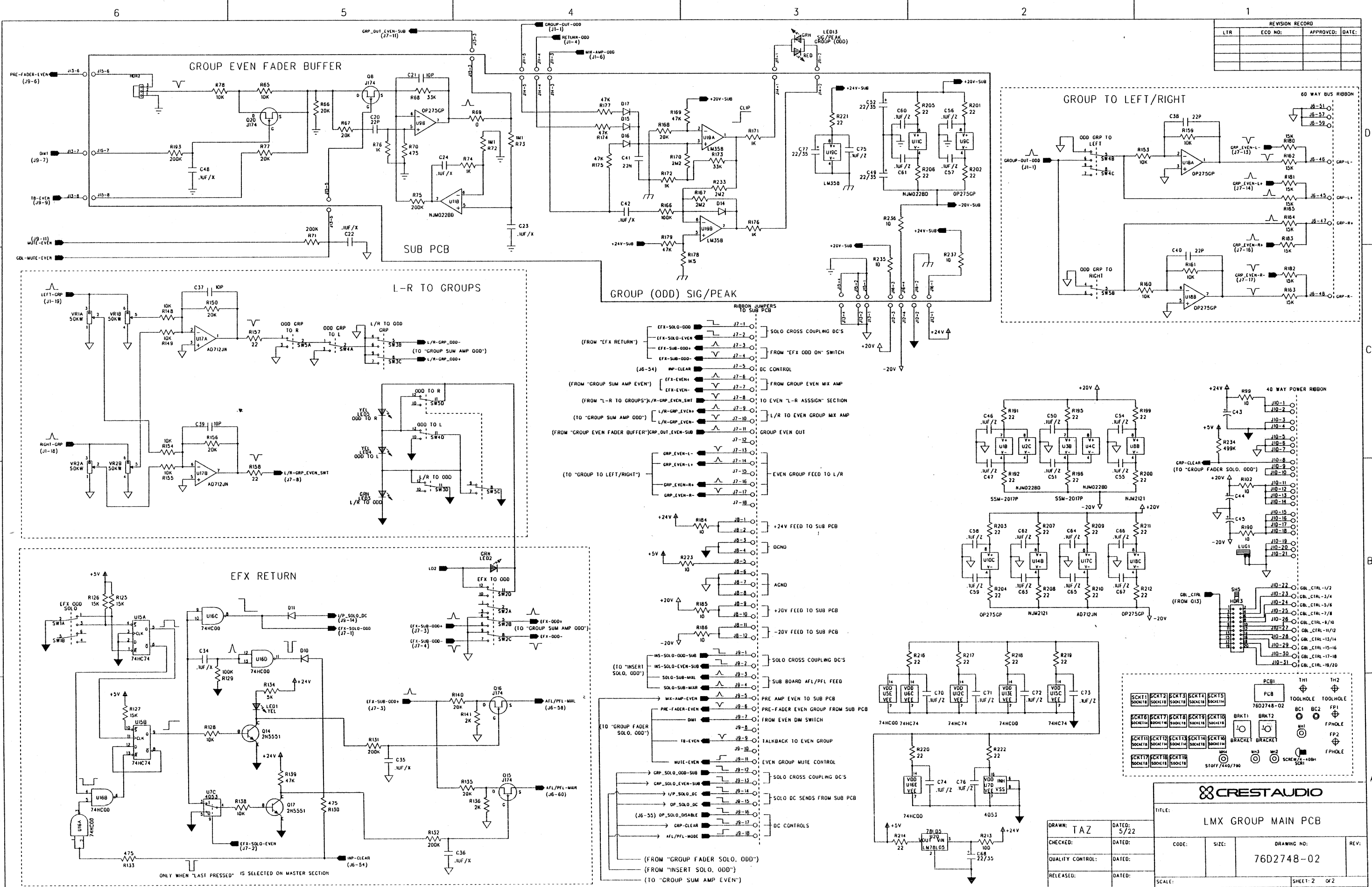
Schematic #6



REVISION RECORD		
LTR	ECO NO.	APPROVED DATE

DRAWN: TAZ		DATED: 4/17/96		TITLE: LMX GROUP MAIN PCB	
CHECKED:	DATED:	SCALE:	SHEET: 1 OF 2		
QUALITY CONTROL:	DATED:				
RELEASED:	DATED:				

Schematic #7



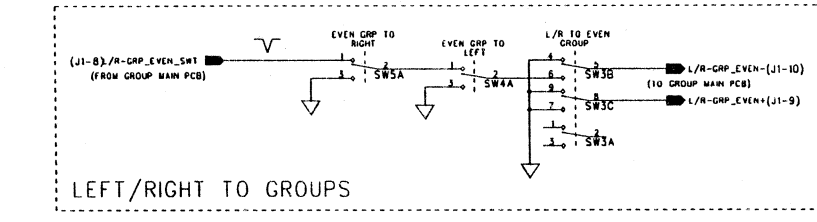
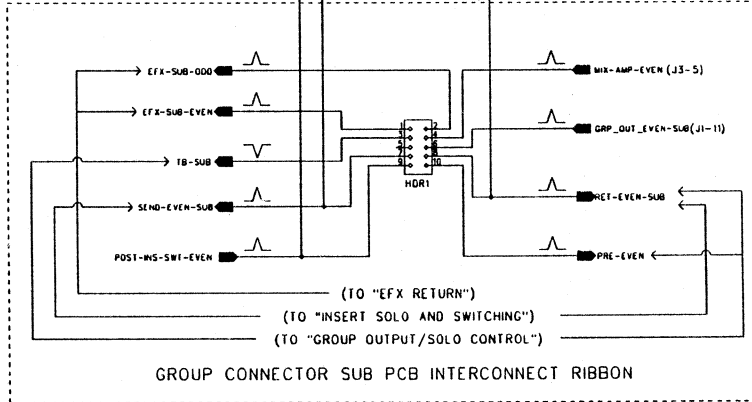
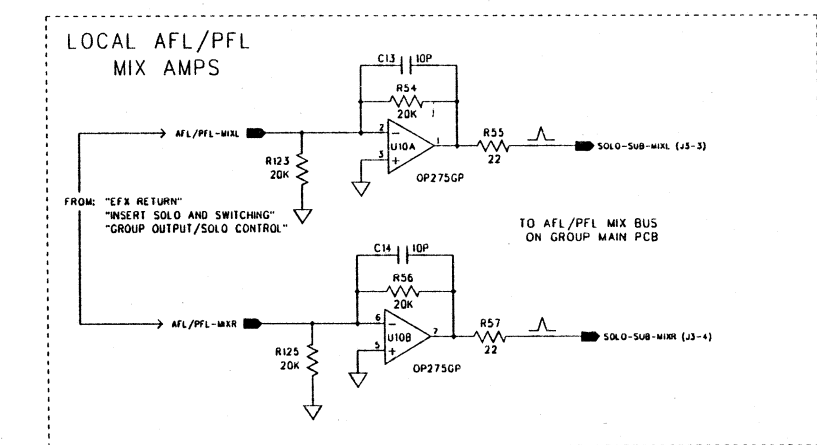
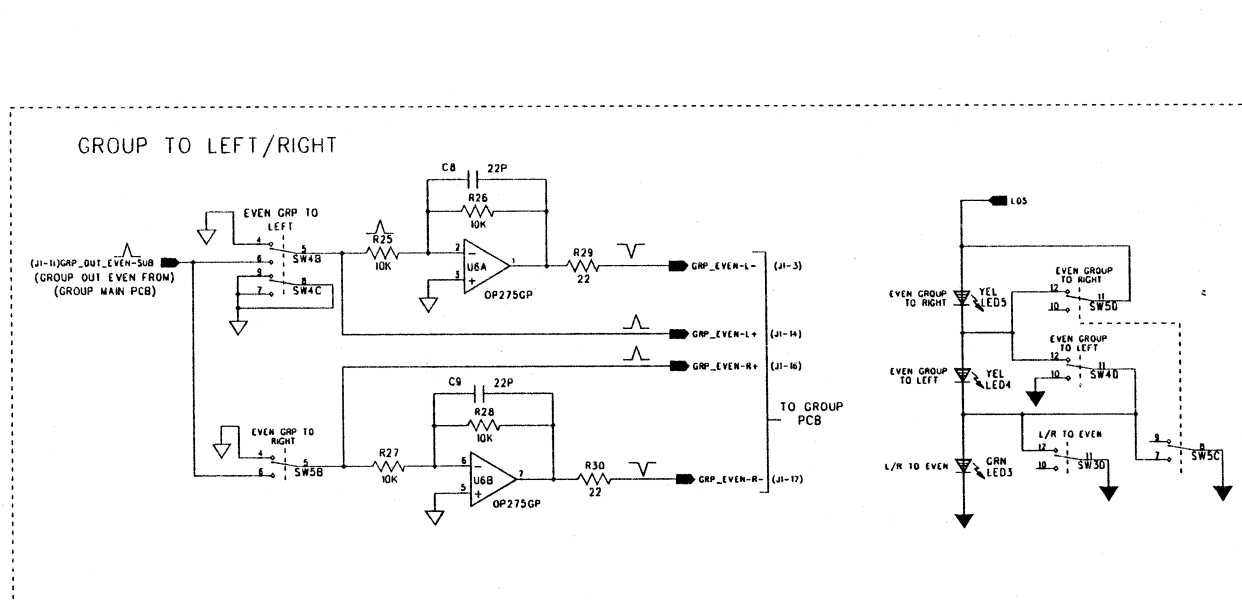
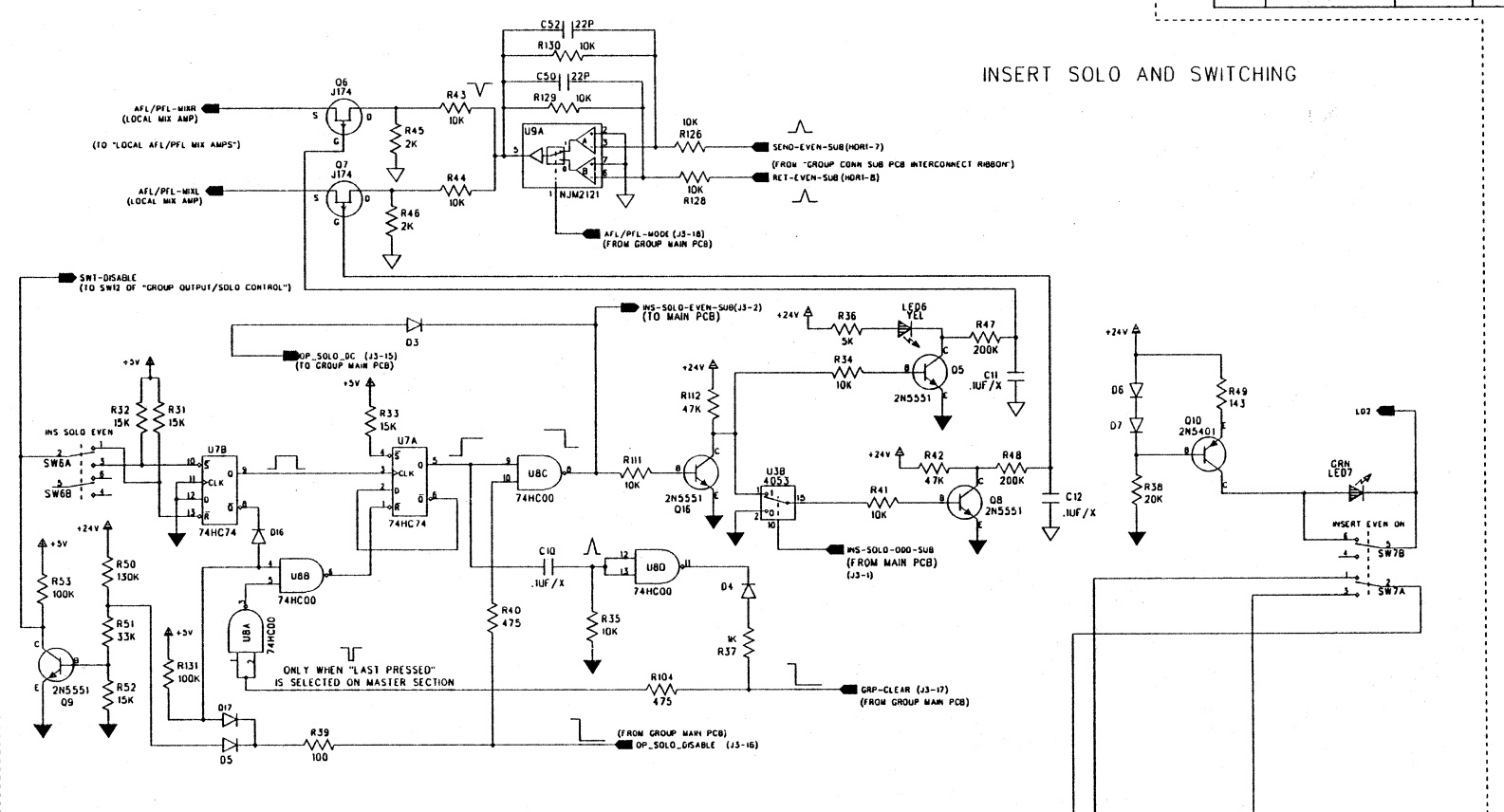
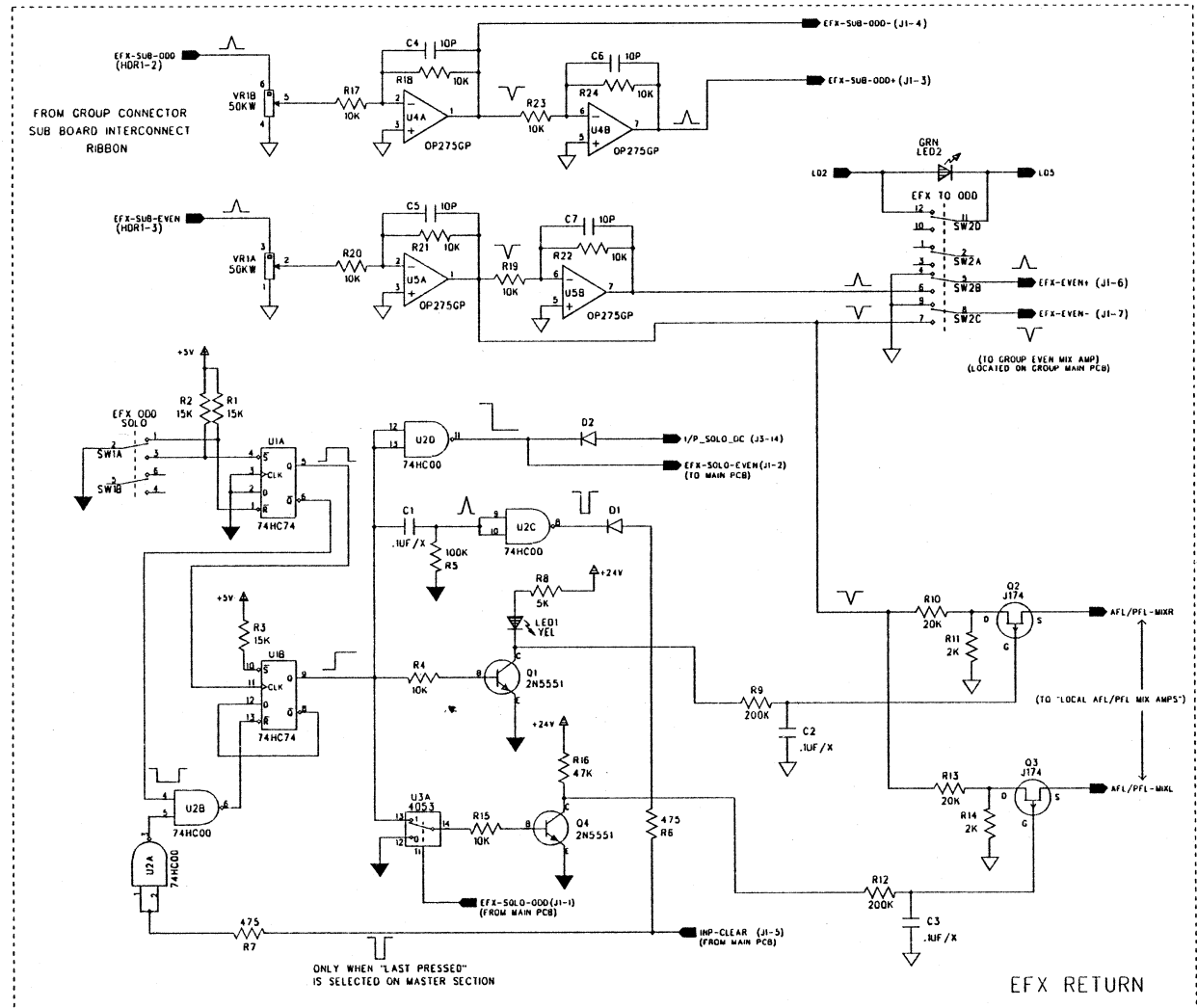
LTR	ECO NO.	APPROVED:	DATE:

J7-1	SOLO CROSS COUPLING DC'S
J7-2	FROM "EFX ODD ON" SWITCH
J7-3	DC CONTROL
J7-4	FROM GROUP EVEN MIX AMP
J7-5	TO EVEN "L-R ASSIGN" SECTION
J7-6	L/R TO EVEN GROUP MIX AMP
J7-7	GROUP EVEN OUT
J7-8	EVEN GROUP FEED TO L/R
J7-9	+24V FEED TO SUB PCB
J7-10	DCND
J7-11	AGND
J7-12	+20V FEED TO SUB PCB
J7-13	-20V FEED TO SUB PCB
J7-14	SOLO CROSS COUPLING DC'S
J7-15	SUB BOARD AFL/PFL FEED
J7-16	PRE AMP EVEN TO SUB PCB
J7-17	FROM EVEN DIM SWITCH
J7-18	TALKBACK TO EVEN GROUP
J7-19	EVEN GROUP MUTE CONTROL
J7-20	SOLO CROSS COUPLING DC'S
J7-21	SOLO DC SENDS FROM SUB PCB
J7-22	PRE-AMP EVEN FROM SUB PCB
J7-23	FROM EVEN DIM SWITCH
J7-24	TALKBACK TO EVEN GROUP
J7-25	EVEN GROUP MUTE CONTROL
J7-26	SOLO CROSS COUPLING DC'S
J7-27	SOLO DC SENDS FROM SUB PCB
J7-28	PRE-AMP EVEN FROM SUB PCB
J7-29	FROM EVEN DIM SWITCH
J7-30	TALKBACK TO EVEN GROUP
J7-31	EVEN GROUP MUTE CONTROL

DRAWN: TAZ		DATED: 5/22	
CHECKED:		DATED:	
QUALITY CONTROL:		DATED:	
RELEASED:		DATED:	
CRESTAUDIO			
TITLE: LMx GROUP MAIN PCB			
CODE: 76D2748-02		DRAWING NO: 76D2748-02	
SCALE:		SHEET: 2	OF 2

Schematic #8

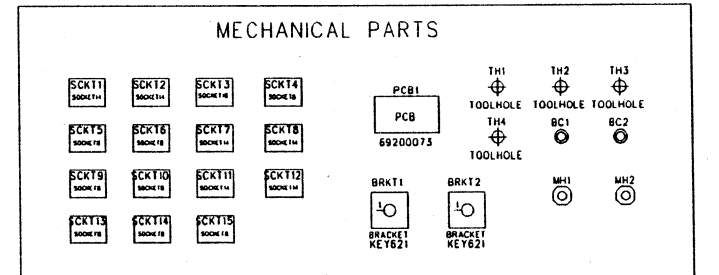
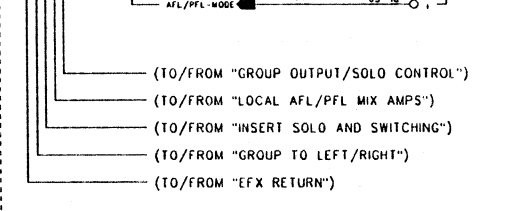
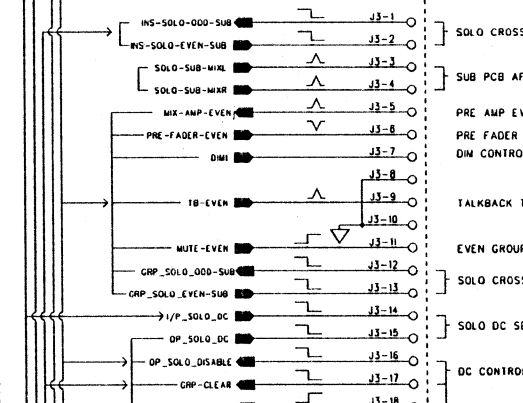
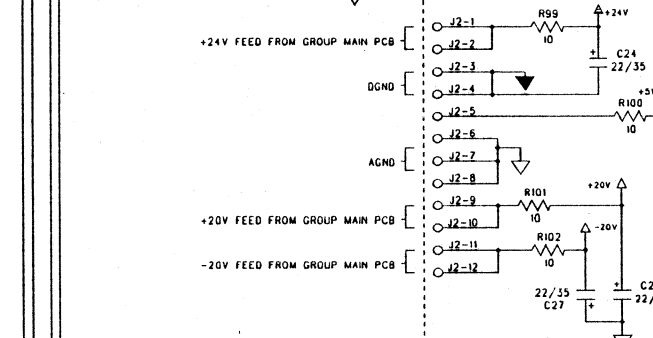
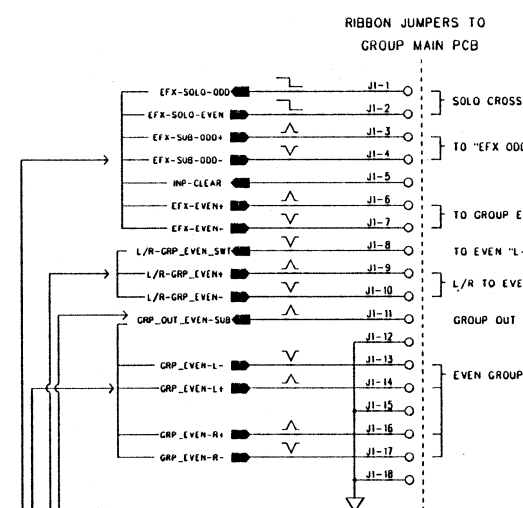
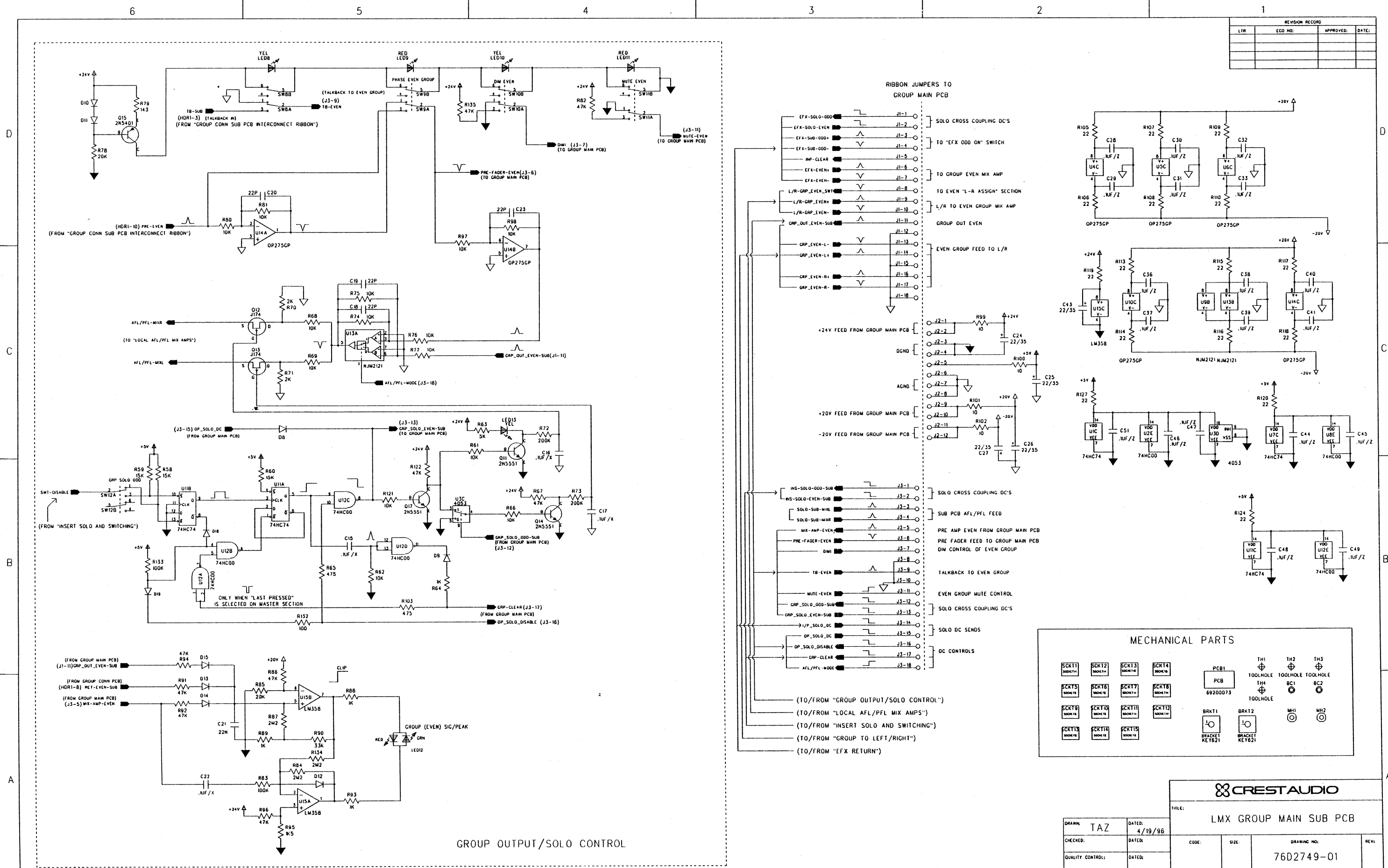
REVISION RECORD			
LTR	ECD NO:	APPROVED	DATE:



CRESTAUDIO			
TITLE: LMX GROUP MAIN SUB PCB			
DRAWN: TAZ	DATED: 4/19/96		
CHECKED:	DATED:		
QUALITY CONTROL:	DATED:		
RELEASED:	DATED:		
CODE:	SIZE:	DRAWING NO: 76D2749-01	REV:
SCALE:		SHEET: 1 OF 2	

Schematic #9

REVISION RECORD			
LT#	ECO NO.	APPROVED:	DATE:



DRAWN: TAZ		DATED: 4/19/96		TITLE: LMX GROUP MAIN SUB PCB	
CHECKED:	DATE:	CODE:	SIZE:	DRAWING NO: 7602749-01	REV:
QUALITY CONTROL:	DATE:	SCALE:		SHEET: 2 OF 2	
RELEASED:	DATE:				

6

5

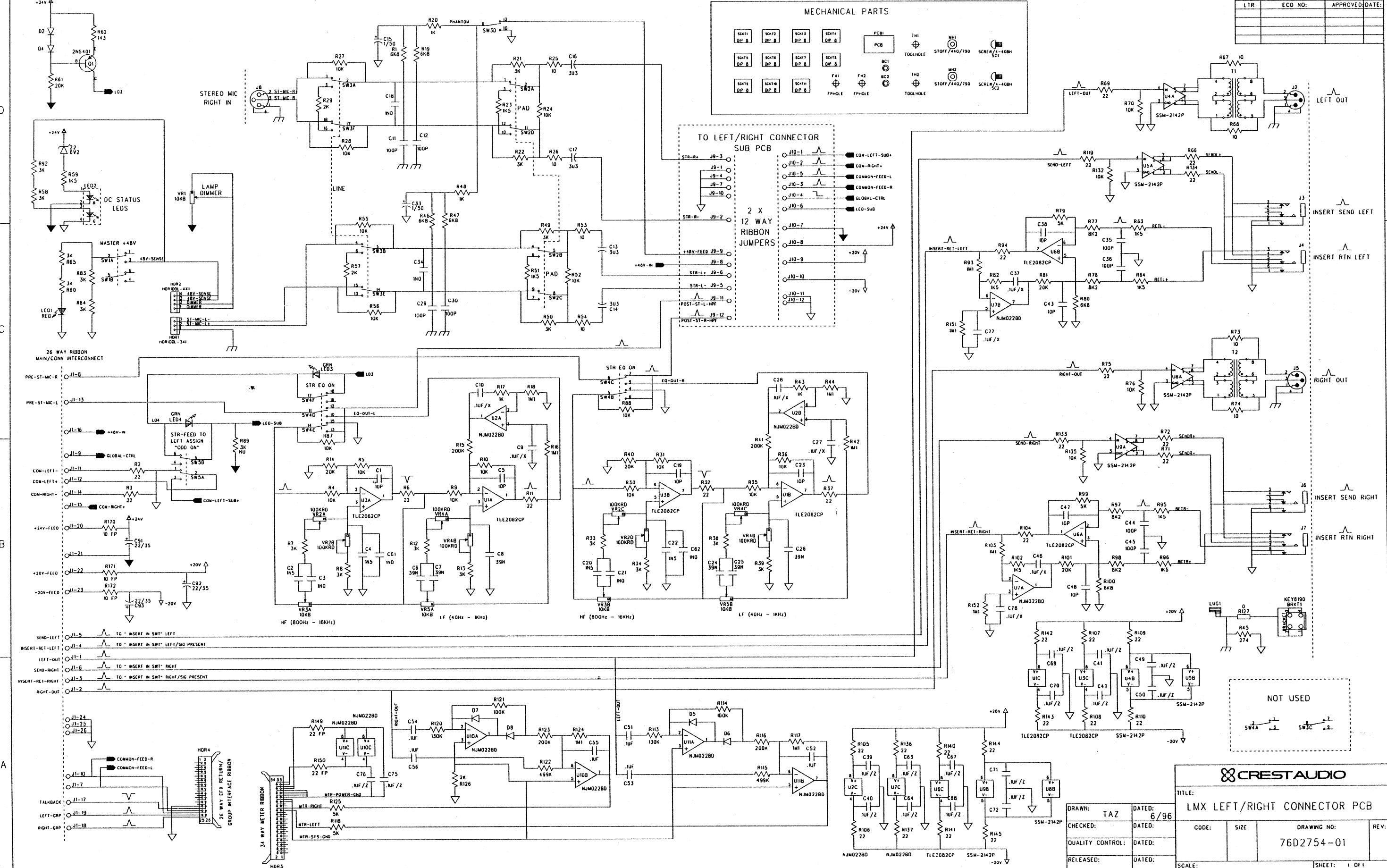
4

3

2

1

REVISION RECORD			
LTR	ECD NO.	APPROVED	DATE



CRESTAUDIO

TITLE: LMx LEFT/RIGHT CONNECTOR PCB

DRAWN: TAZ DATED: 6/96

CHECKED: DATED:

QUALITY CONTROL: DATED:

RELEASED: DATED:

CODE: SIZE DRAWING NO: REV:

76D2754-01

SCALE: SHEET: 1 OF 1

Schematic #11

6

5

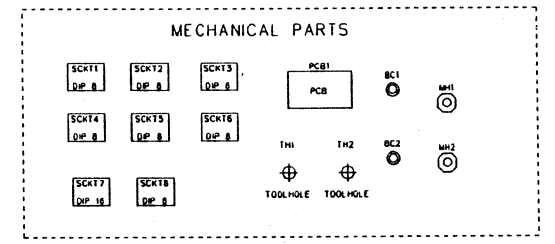
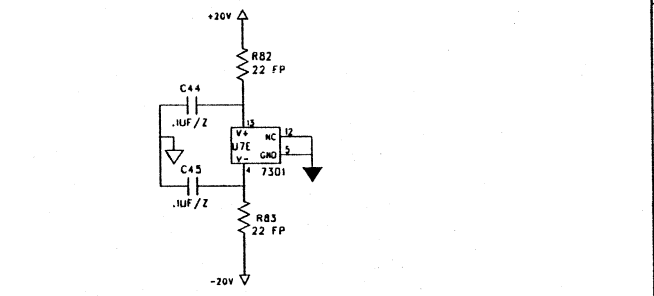
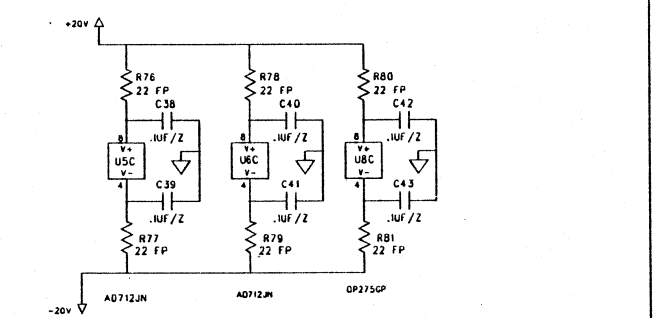
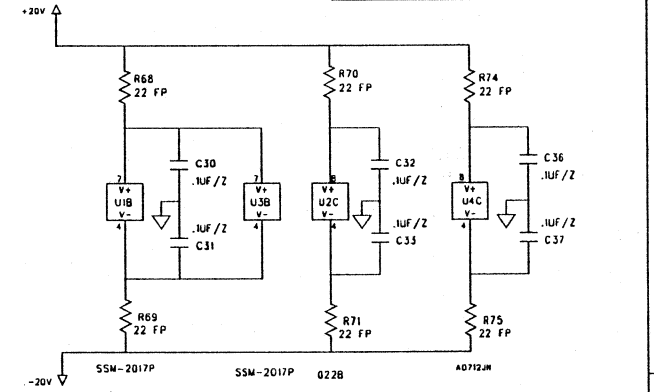
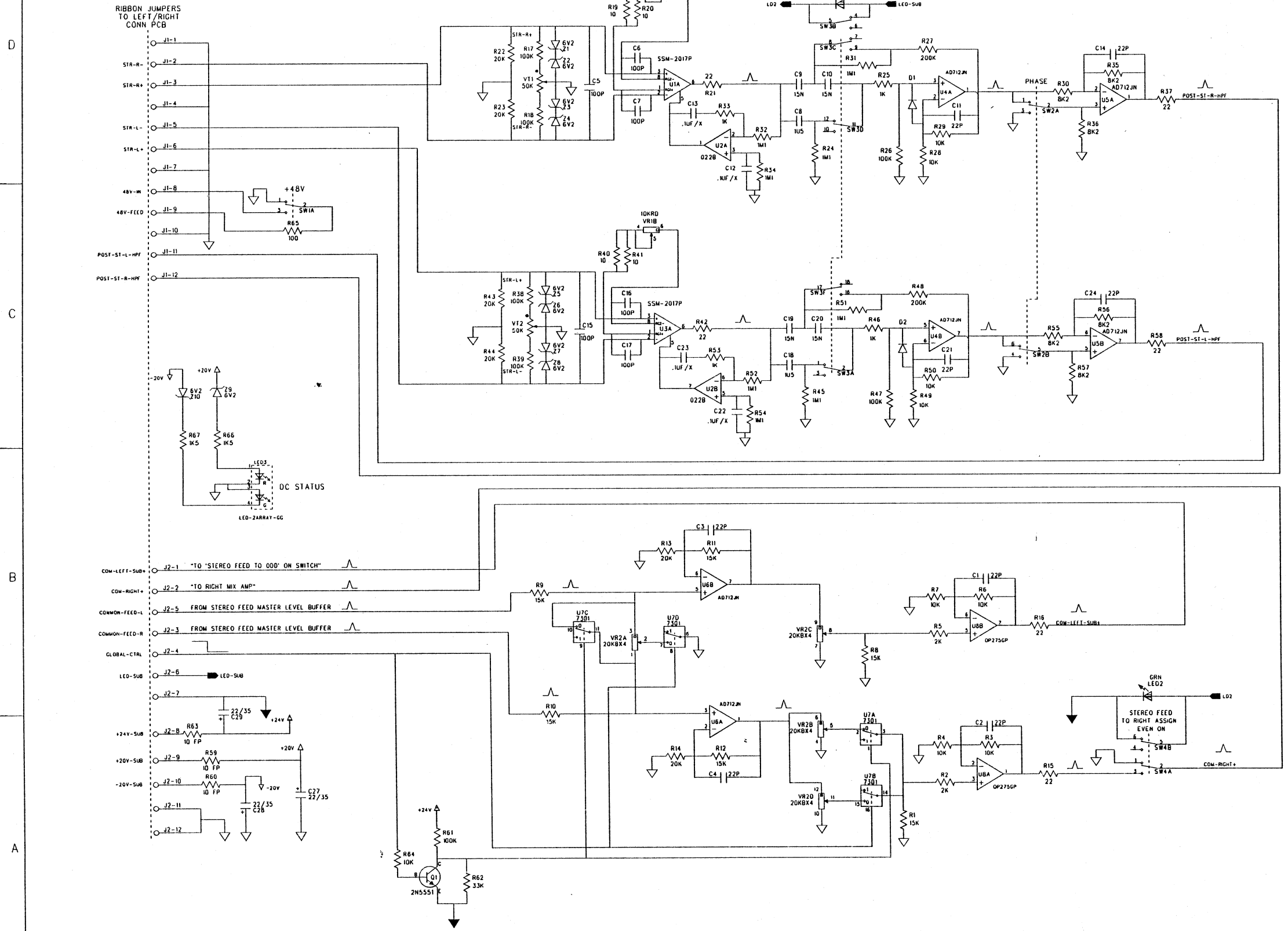
4

3

2

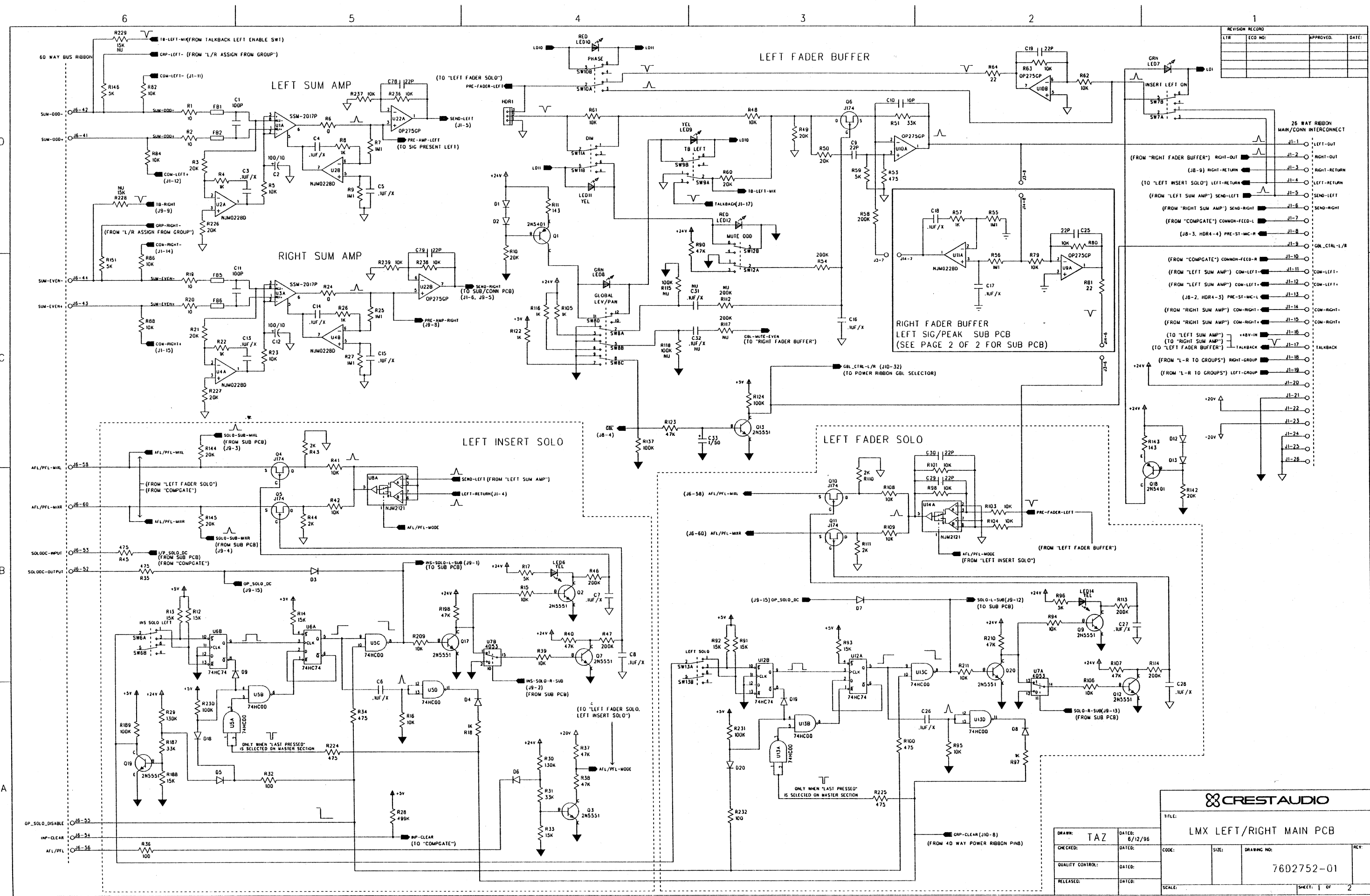
1

REVISION RECORD			
LTR	ECO NO:	APPROVED	DATE:



CRESTAUDIO			
TITLE: LMx LEFT/RIGHT CONNECTOR SUB PCB			
DRAWN: TAZ	DATED: 5/96	CODE:	SIZE:
CHECKED:	DATED:	DRAWING NO: 7602755-01	
QUALITY CONTROL:	DATED:	REV:	
RELEASED:	DATED:	SCALE:	SHEET: 1 OF 1

Schematic #12

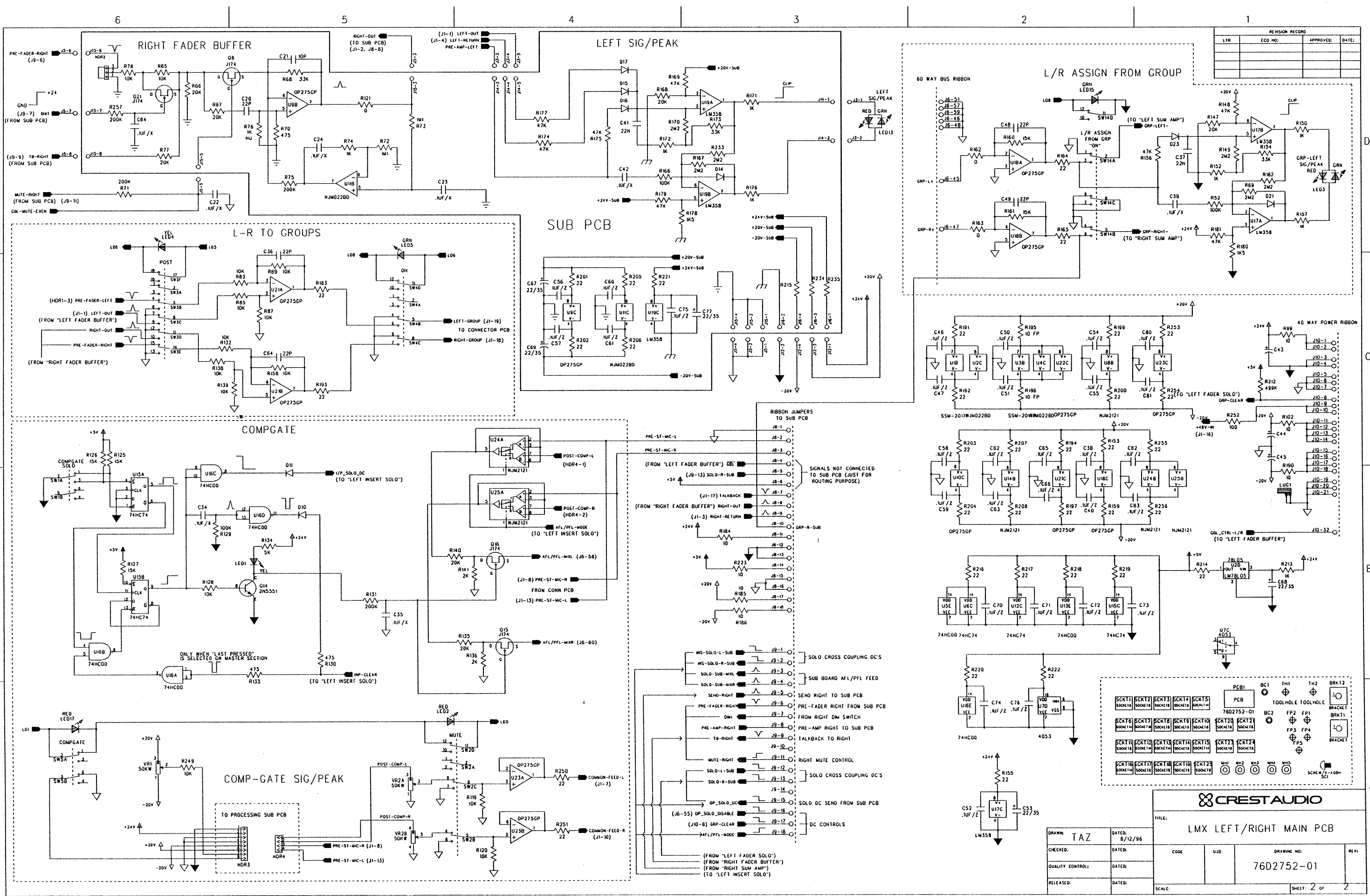


REVISION RECORD			
LIB	ECO NO.	APPROVED	DATE

- 25 WAY RIBBON MAIN/CONN INTERCONNECT
- J1-1 LEFT-OUT
 - J1-2 RIGHT-OUT
 - J1-3 RIGHT-RETURN
 - J1-4 LEFT-RETURN
 - J1-5 SEND-LEFT
 - J1-6 SEND-RIGHT
 - J1-7 COMMON-FEED-L
 - J1-8 PRE-ST-MC-R
 - J1-9 GBL_CTRL-L/R
 - J1-10 COMMON-FEED-R
 - J1-11 COM-LEFT-
 - J1-12 COM-LEFT+
 - J1-13 PRE-ST-MC-L
 - J1-14 COM-RIGHT-
 - J1-15 COM-RIGHT+
 - J1-16 +8V-IN
 - J1-17 TALKBACK
 - J1-18 TALKBACK
 - J1-19 RIGHT-GROUP
 - J1-20 LEFT-GROUP
 - J1-21
 - J1-22
 - J1-23
 - J1-24
 - J1-25
 - J1-26

CRESTAUDIO	
TITLE: LMx LEFT/RIGHT MAIN PCB	
DRAWN: TAZ	DATED: 6/12/96
CHECKED:	DATED:
QUALITY CONTROL:	DATED:
RELEASED:	DATED:
CODE:	SIZE:
DRAWING NO: 7602752-01	
SCALE:	SHEET: 1 OF 2

Schematic #13



REVISION RECORD			
LR	ECO NO.	APPROVED:	DATE:

Connector	Signal	Description
J1-1	LEFT-OUT	(J1-1) LEFT-OUT
J1-4	LEFT-RETURN	(J1-4) LEFT-RETURN
J1-5	PRE-AMP-LEFT	(J1-5) PRE-AMP-LEFT
J1-19	LEFT-GROUP	(J1-19) LEFT-GROUP TO CONNECTOR PCB
J1-18	RIGHT-GROUP	(J1-18) RIGHT-GROUP TO CONNECTOR PCB
J1-1	PRE-ST-MIC-L	PRE-ST-MIC-L
J1-2	PRE-ST-MIC-R	PRE-ST-MIC-R
J1-3	SOLO-R-SUB	(J1-3) SOLO-R-SUB
J1-4	SOLO-L-SUB	(J1-4) SOLO-L-SUB
J1-5	TALKBACK	(J1-5) TALKBACK
J1-6	RIGHT-OUT	(J1-6) RIGHT-OUT
J1-7	RIGHT-RETURN	(J1-7) RIGHT-RETURN
J1-8	GRP-R-SUB	(J1-8) GRP-R-SUB
J1-9	GRP-L-SUB	(J1-9) GRP-L-SUB
J1-10	IMP-CLEAR	(J1-10) IMP-CLEAR
J1-11	AF/PFL-MIXR	(J1-11) AFL/PFL-MIXR (J6-58)
J1-12	AF/PFL-MIXL	(J1-12) AFL/PFL-MIXL (J6-58)
J1-13	PRE-ST-MIC-L	(J1-13) PRE-ST-MIC-L
J1-14	MS-SOLO-L-SUB	MS-SOLO-L-SUB
J1-15	MS-SOLO-R-SUB	MS-SOLO-R-SUB
J1-16	SOLO-SUB-MIXR	SOLO-SUB-MIXR
J1-17	SOLO-SUB-MIXL	SOLO-SUB-MIXL
J1-18	SEND-RIGHT	SEND RIGHT TO SUB PCB
J1-19	PRE-FADER-RIGHT	PRE-FADER RIGHT FROM SUB PCB
J1-20	DM1	FROM RIGHT DM SWITCH
J1-21	PRE-AMP-RIGHT	PRE-AMP RIGHT TO SUB PCB
J1-22	TALKBACK	TALKBACK TO RIGHT
J1-23	MUTE-RIGHT	RIGHT MUTE CONTROL
J1-24	SOLO-L-SUB	SOLO CROSS COUPLING DC'S
J1-25	SOLO-R-SUB	SOLO CROSS COUPLING DC'S
J1-26	OP_SOLO_DC	SOLO DC SEND FROM SUB PCB
J1-27	OP_SOLO_DISABLE	DC CONTROLS
J1-28	GRP-CLEAR	DC CONTROLS
J1-29	AF/PFL-WODE	DC CONTROLS

CRESTAUDIO

TITLE: LMx LEFT/RIGHT MAIN PCB

DRAWN: TAZ DATED: 6/12/96

CHECKED: DATED:

QUALITY CONTROL: DATED:

RELEASED: DATED:

CODE: SIZE: DRAWING NO: 7602752-01 REV:

SCALE: SHEET: 2 of 2

6

5

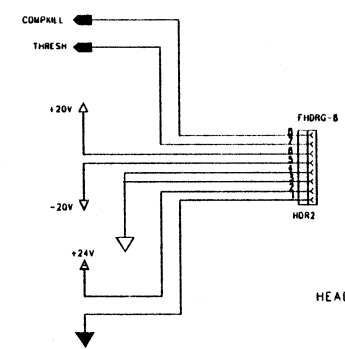
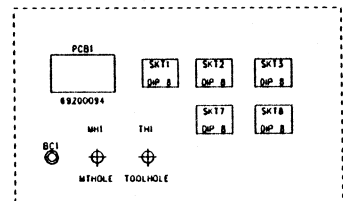
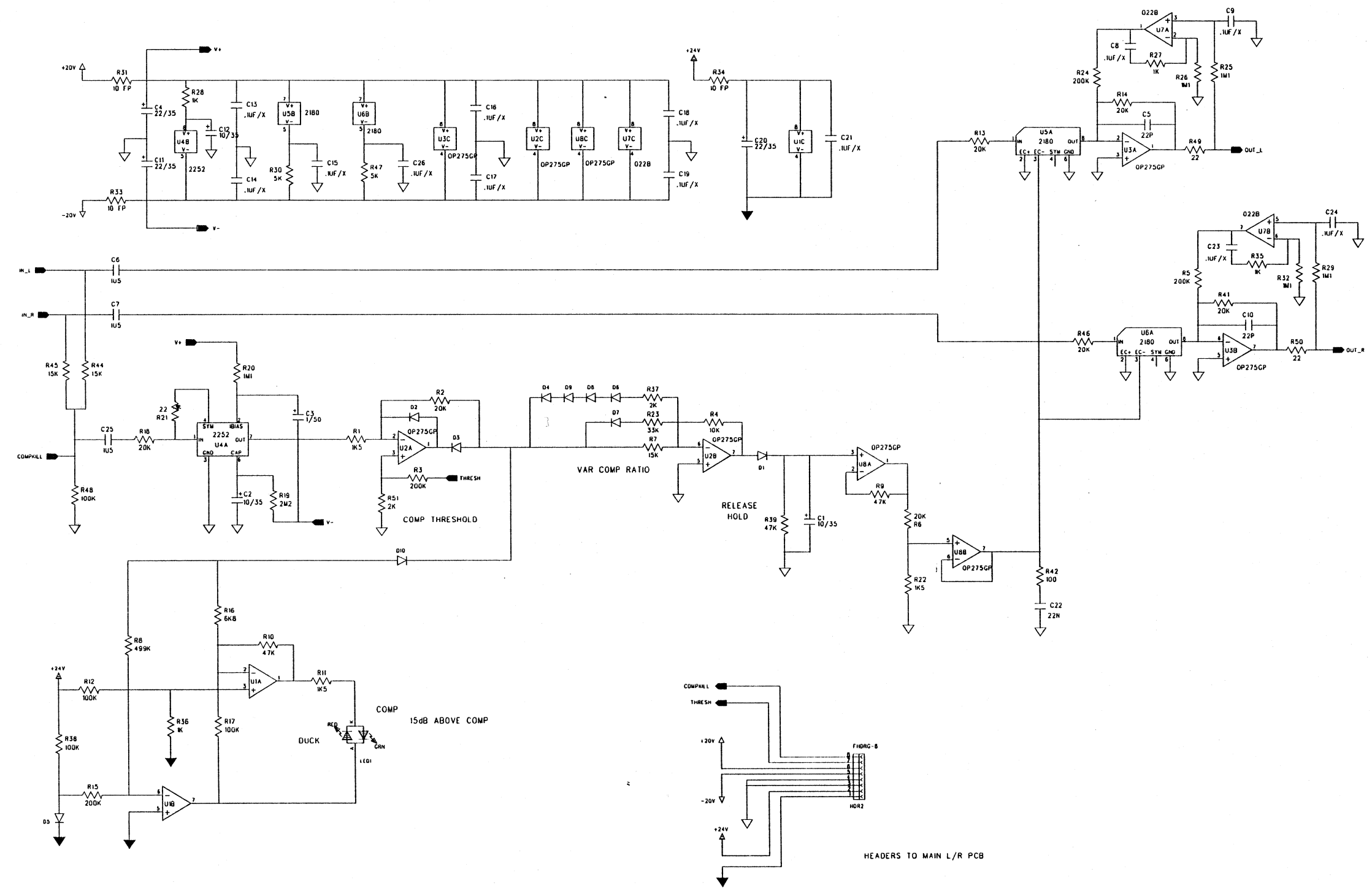
4

3

2

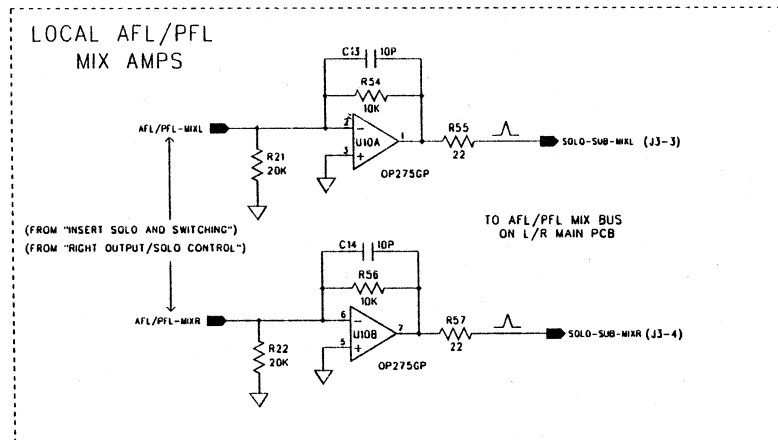
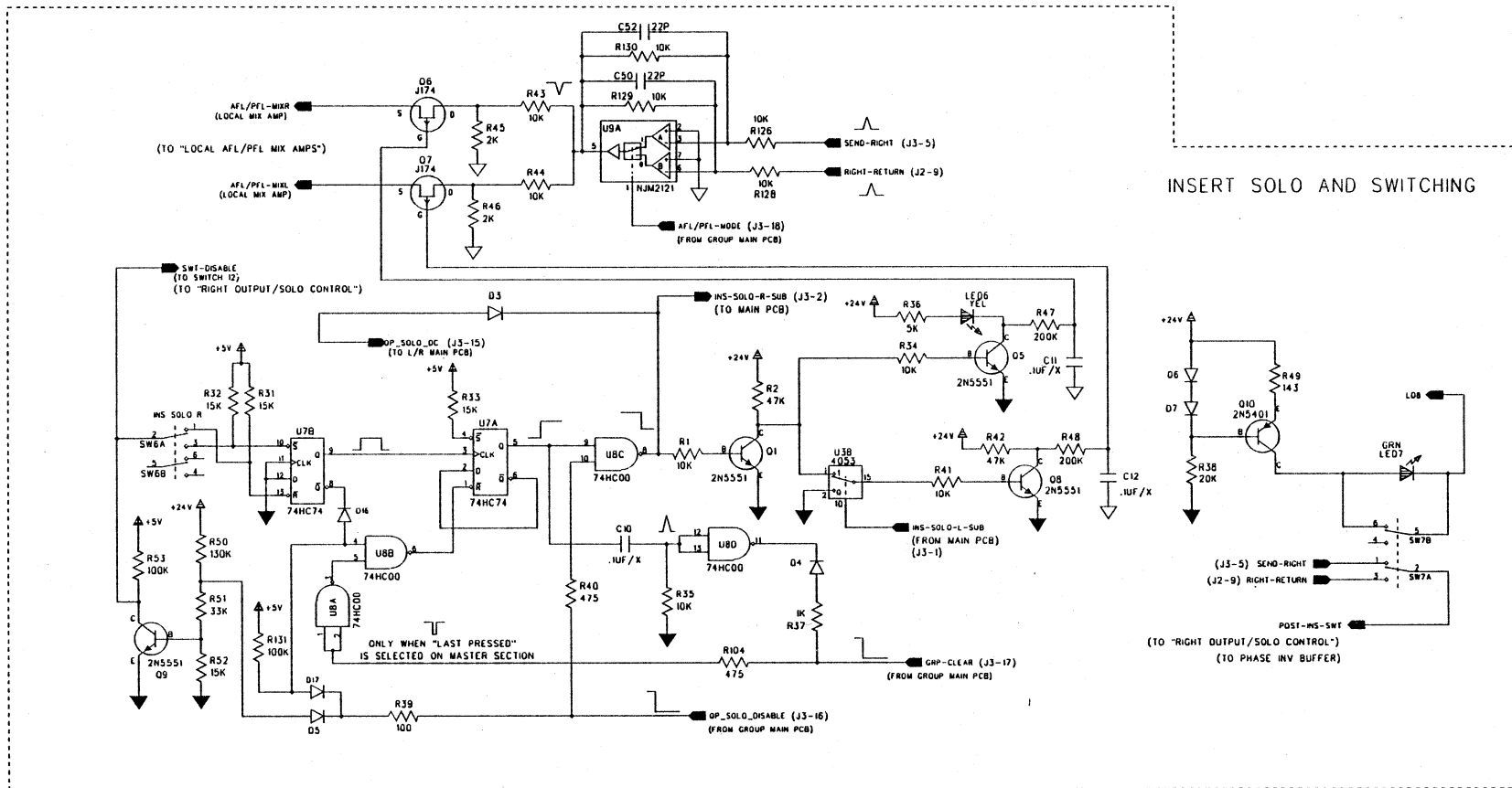
1

REVISION RECORD			
LTR	ECO NO.	APPROVED:	DATE:



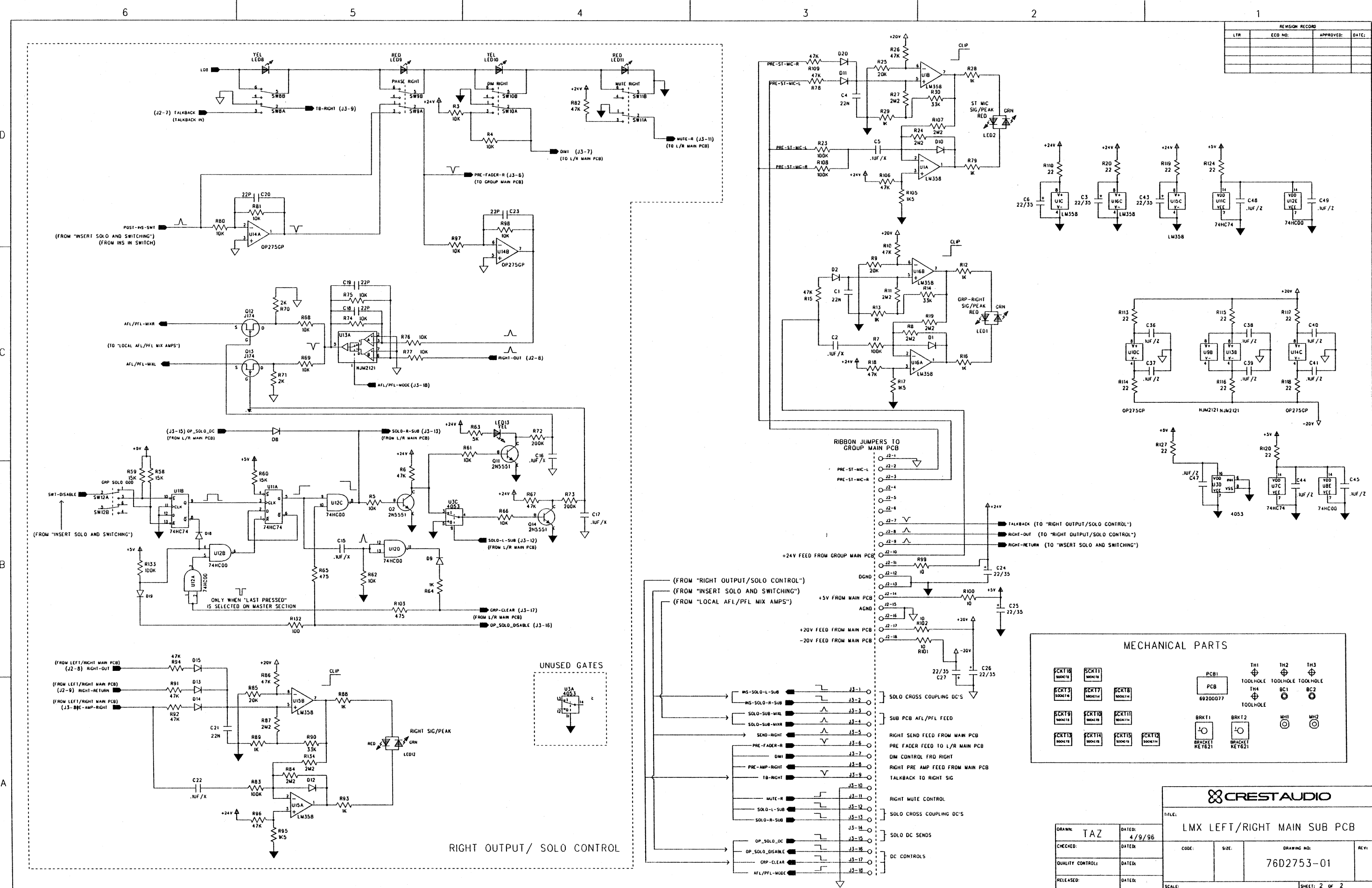
CRESTAUDIO			
TITLE: LMx DYNAMICS SUB BOARD FITTED TO LMx L/R MAIN PCB			
DRAWN: JRP	DATED: 4/96	CODE:	SIZE:
CHECKED:	DATED:	DRAWING NO: 7602891	REV: 00
QUALITY CONTROL:	DATED:	SCALE:	SHEET: OF
RELEASED:	DATED:		

REVISION RECORD			
LTR	ECO NO.	APPROVED:	DATE:



CREST AUDIO			
TITLE: LMX LEFT/RIGHT MAIN SUB PCB			
DRAWN: TAZ	DATED: 4/9/96	CODE:	SIZE:
CHECKED:	DATED:	DRAWING NO: 76D2753-01	
QUALITY CONTROL:	DATED:	REV:	
RELEASED:	DATED:	SCALE:	SHEET: 1 of 2

REVISION RECORD			
LTR	ECO NO.	APPROVED:	DATE:



MECHANICAL PARTS			
SCKT16	SCKT11	TH1	TH2
SCKT13	SCKT17	TH3	TH4
SCKT14	SCKT18	TH4	BC1
SCKT19	SCKT10	TH4	BC2
SCKT18	SCKT11	TH4	TOOLHOLE
SCKT13	SCKT14	BRKT1	BRKT2
SCKT18	SCKT18	BRACKET	BRACKET
		KEY621	KEY621
		MH1	MH2

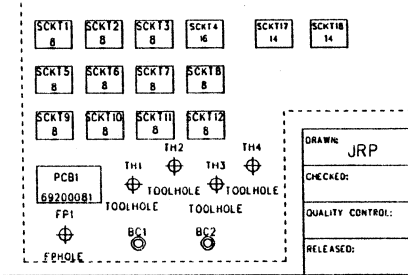
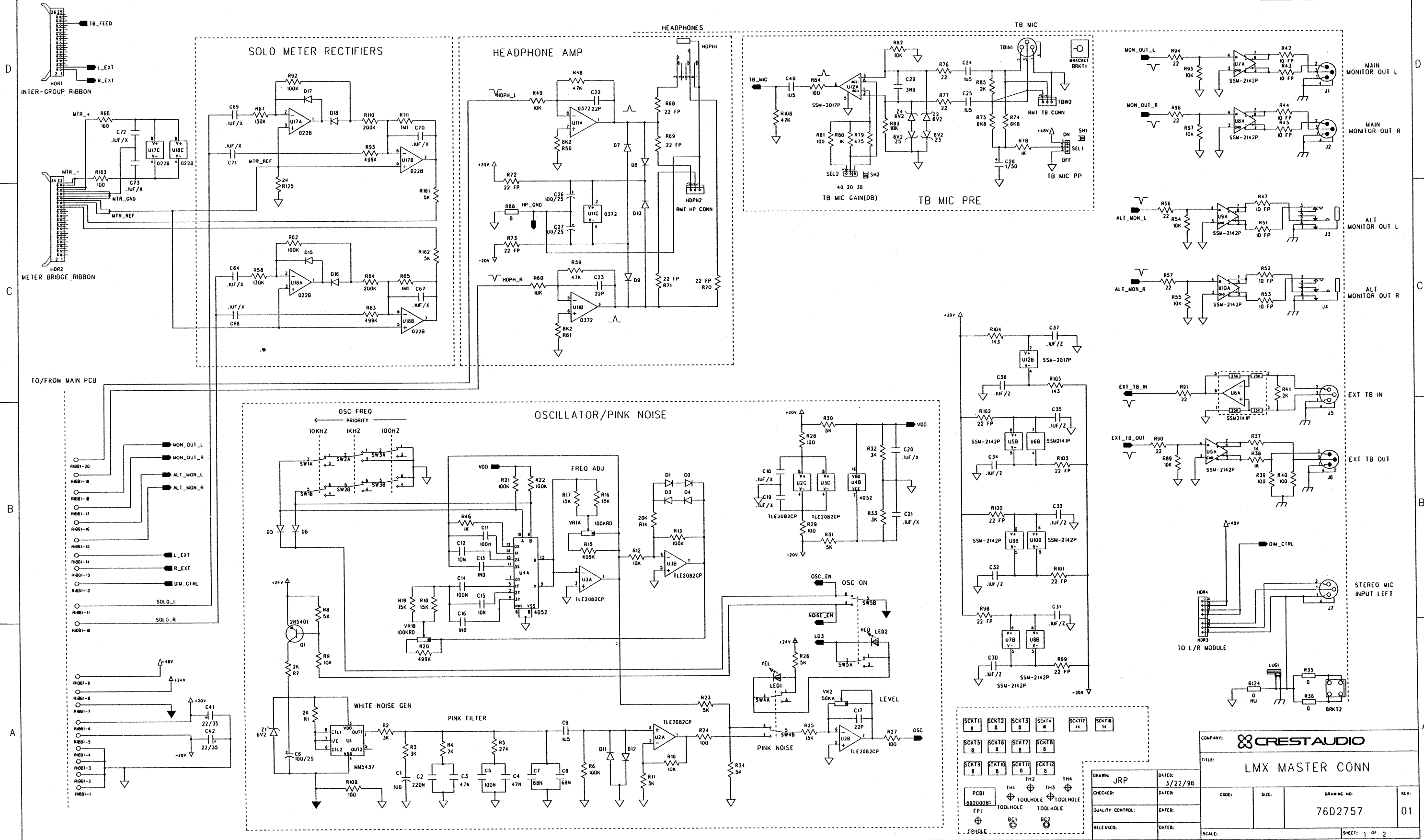
CRESTAUDIO

TITLE: **LMX LEFT/RIGHT MAIN SUB PCB**

DRAWN: TAZ	DATED: 4/9/96	CODE:	SIZE:	DRAWING NO:	REV:
CHECKED:	DATED:	76D2753-01			
QUALITY CONTROL:	DATED:	SCALE:	SHEET: 2 of 2		
RELEASED:	DATED:				

Schematic #17

REVISION RECORD			
LT#	ECO NO:	APPROVED:	DATE:



COMPANY: CRESTAUDIO	
TITLE: LMX MASTER CONN	
DRAWN: JRP	DATE: 3/22/96
CHECKED:	DATE:
QUALITY CONTROL:	DATE:
RELEASED:	DATE:
CODE:	SIZE:
GRAPHIC NO:	REV:
7602757	01
SCALE:	SHEET: 1 OF 2

Schematic #18

6

5

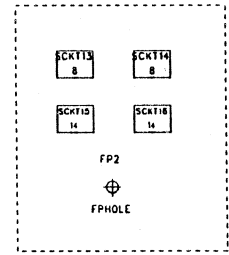
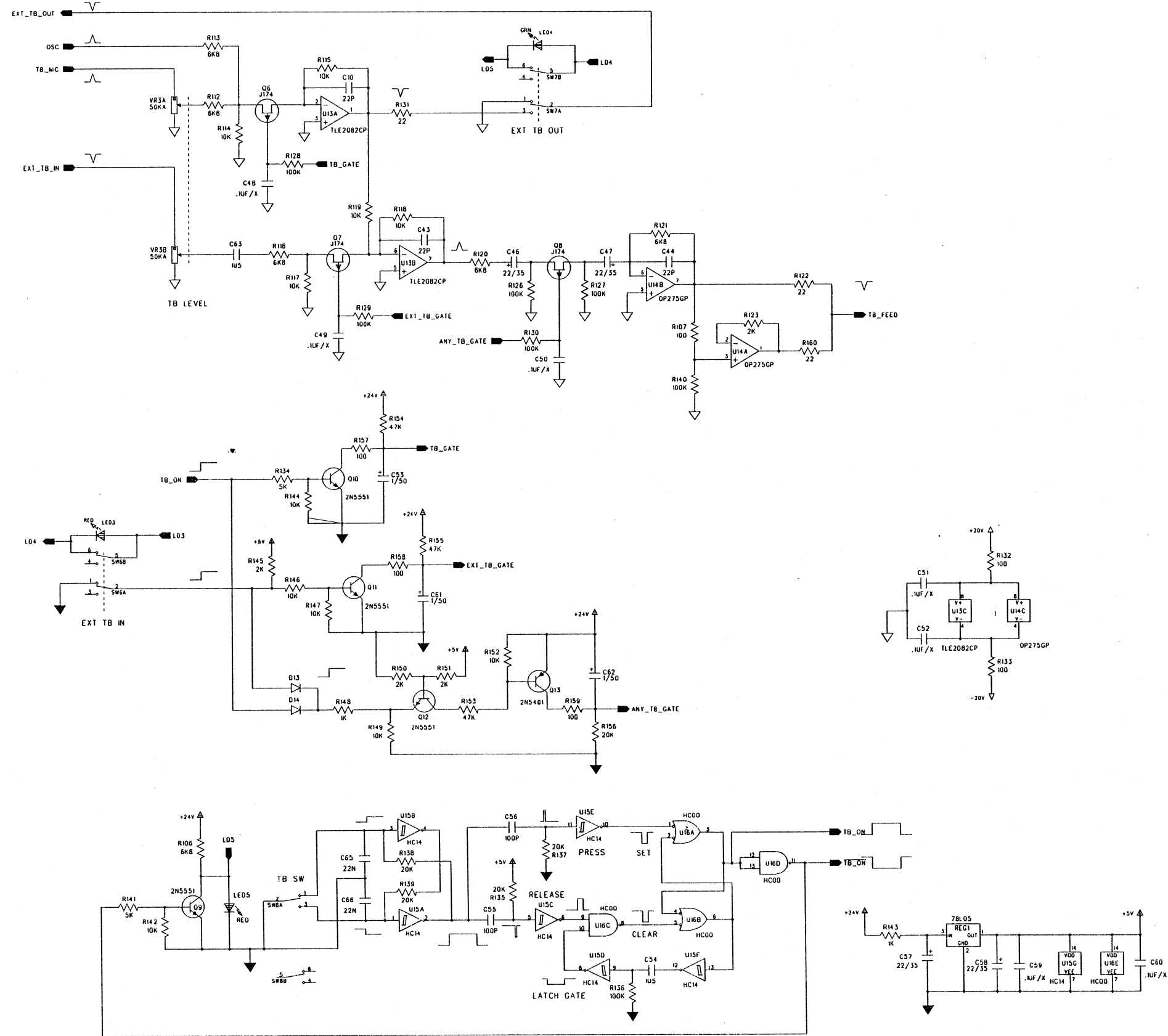
4

3

2

1

REVISION RECORD			
LTR	ECO NO.	APPROVED:	DATE:

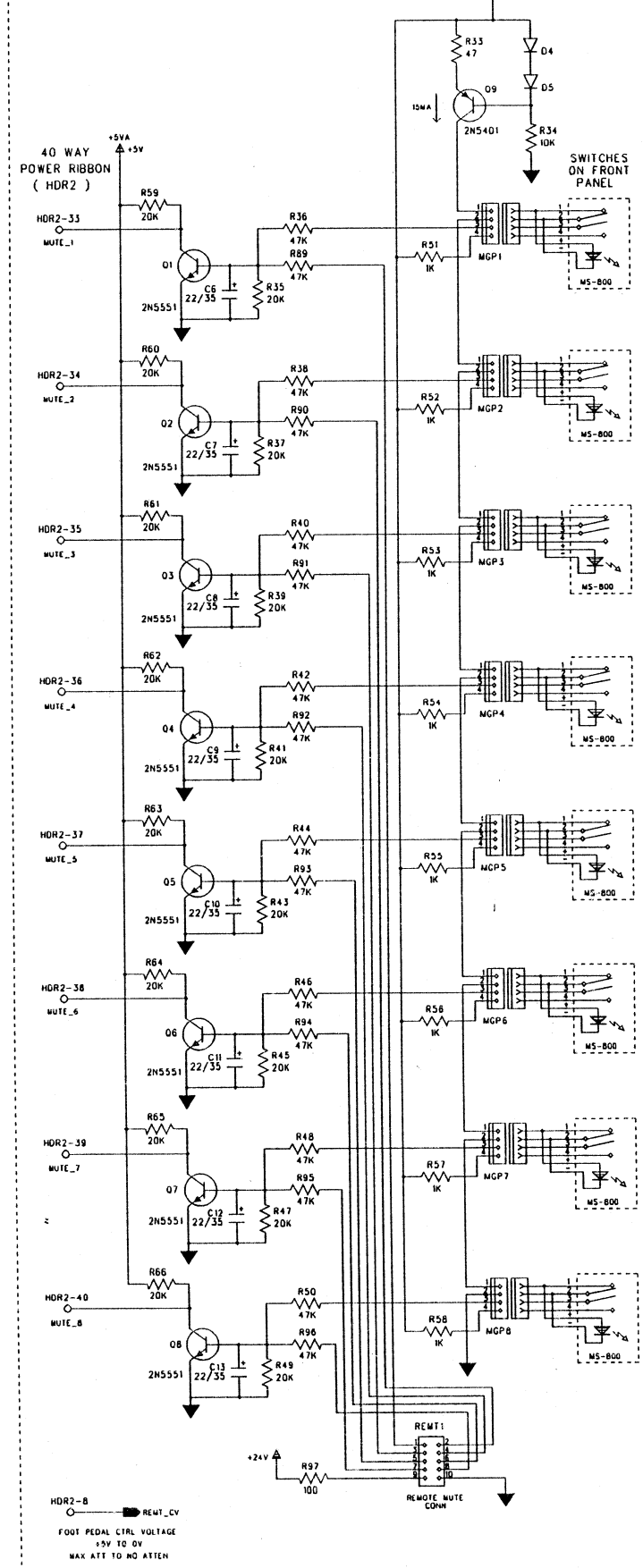


DRAWN: JRP	DATED: 3/22/96
CHECKED:	DATED:
QUALITY CONTRL:	DATED:
RELEASED:	DATED:

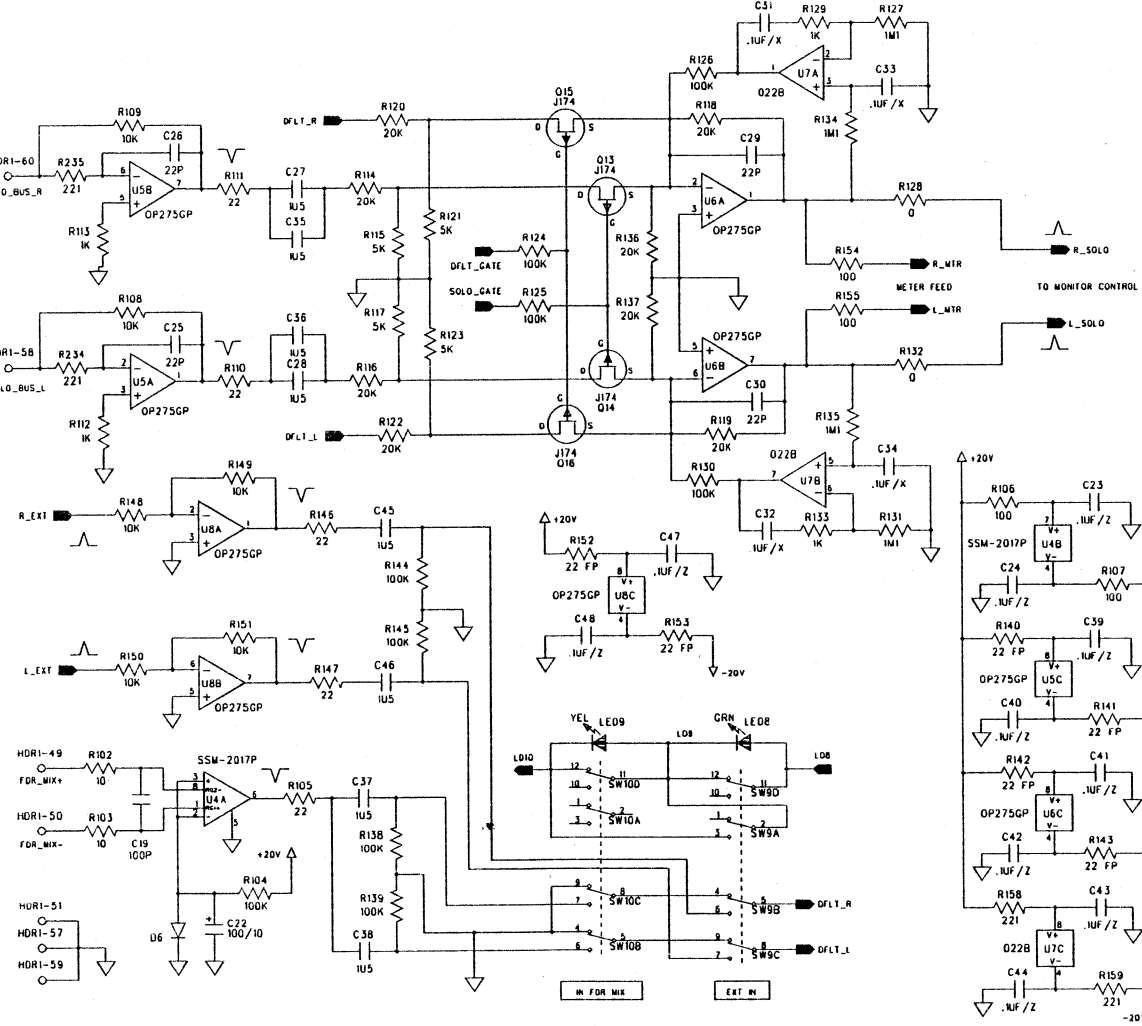
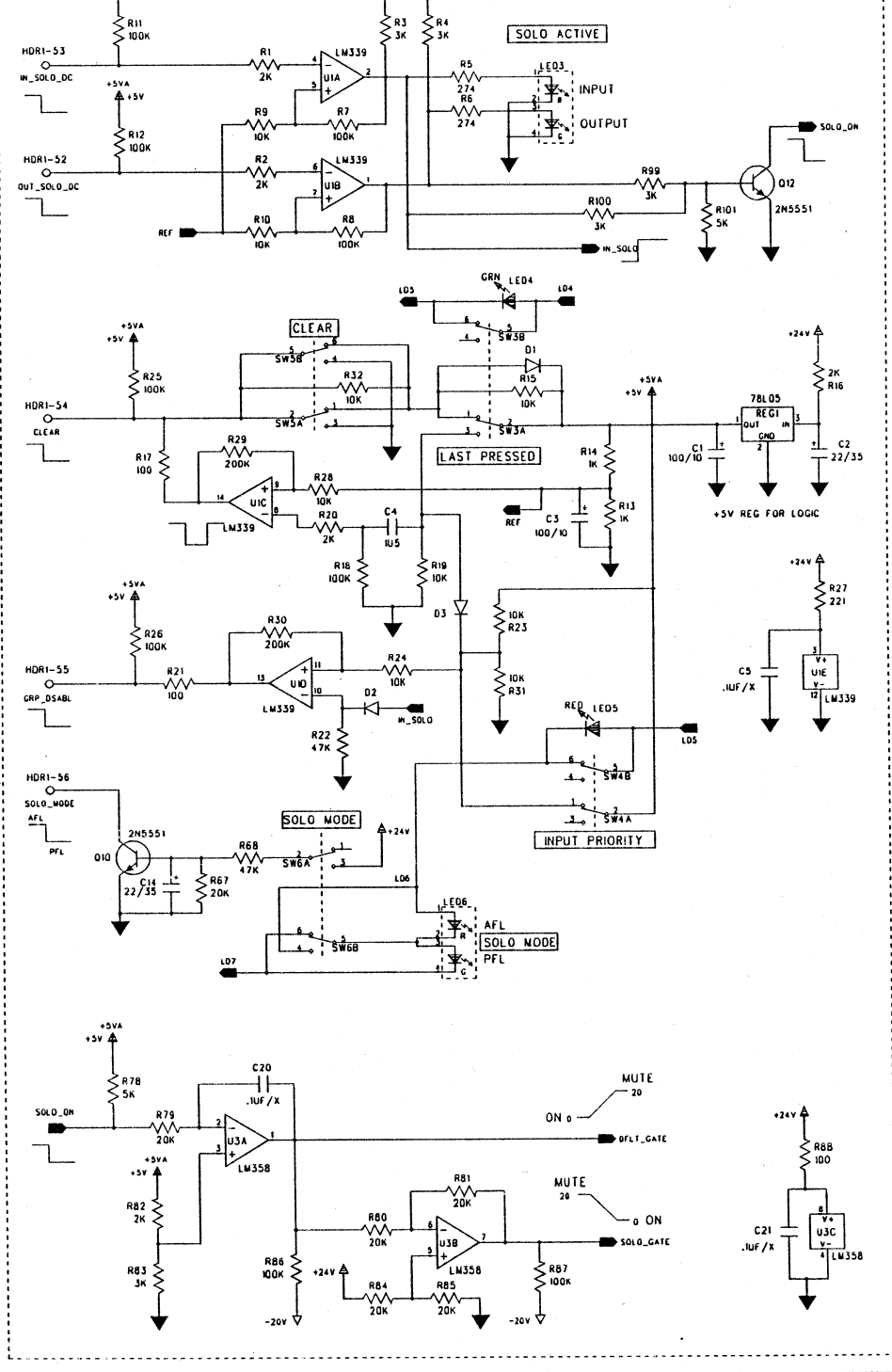
CRESTAUDIO			
TITLE: LMX MASTER CONN			
CODE:	SIZE:	DRAWING NO:	REV:
		7602757	01
SCALE:			SHEET: 2 OF 2

REVISION RECORD			
LTR	ECO NO.	APPROVED	DATE

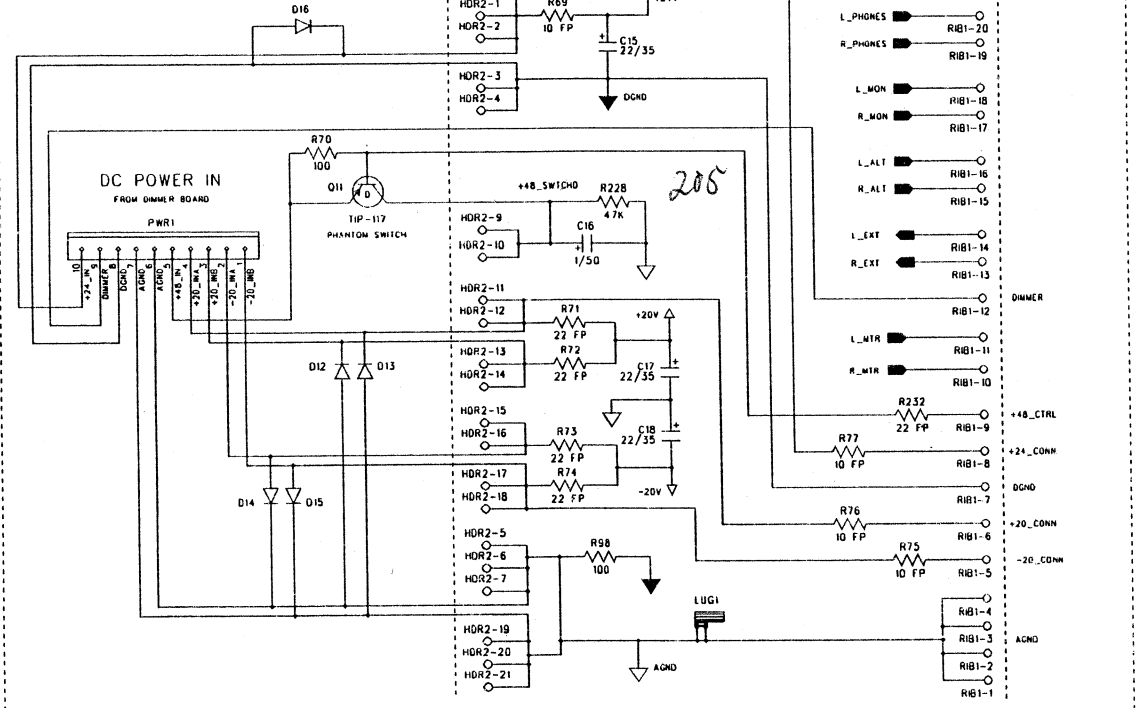
MUTE CONTROL SECTION



SOLO CONTROL SECTION



POWER DISTRIBUTION



COMPANY: CREST AUDIO		TITLE: LMX MASTER MAIN	
DRAWN: JRP	DATED: 5/2/96	CODE: D	SIZE: D
CHECKED: JRP	DATED: 5/2/96	DRAWING NO: 7602756	REV: 01
QUALITY CONTROL: JRP	DATED: 5/2/96	P/N: 692-80	SCALE: 1 OF 2
RELEASED: JRP	DATED: 5/2/96	SHEET: 1 OF 2	

6

5

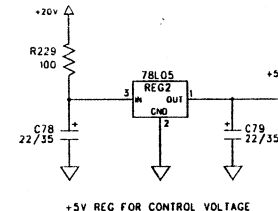
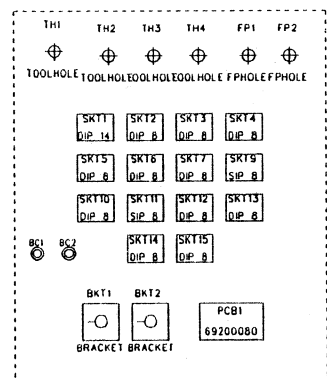
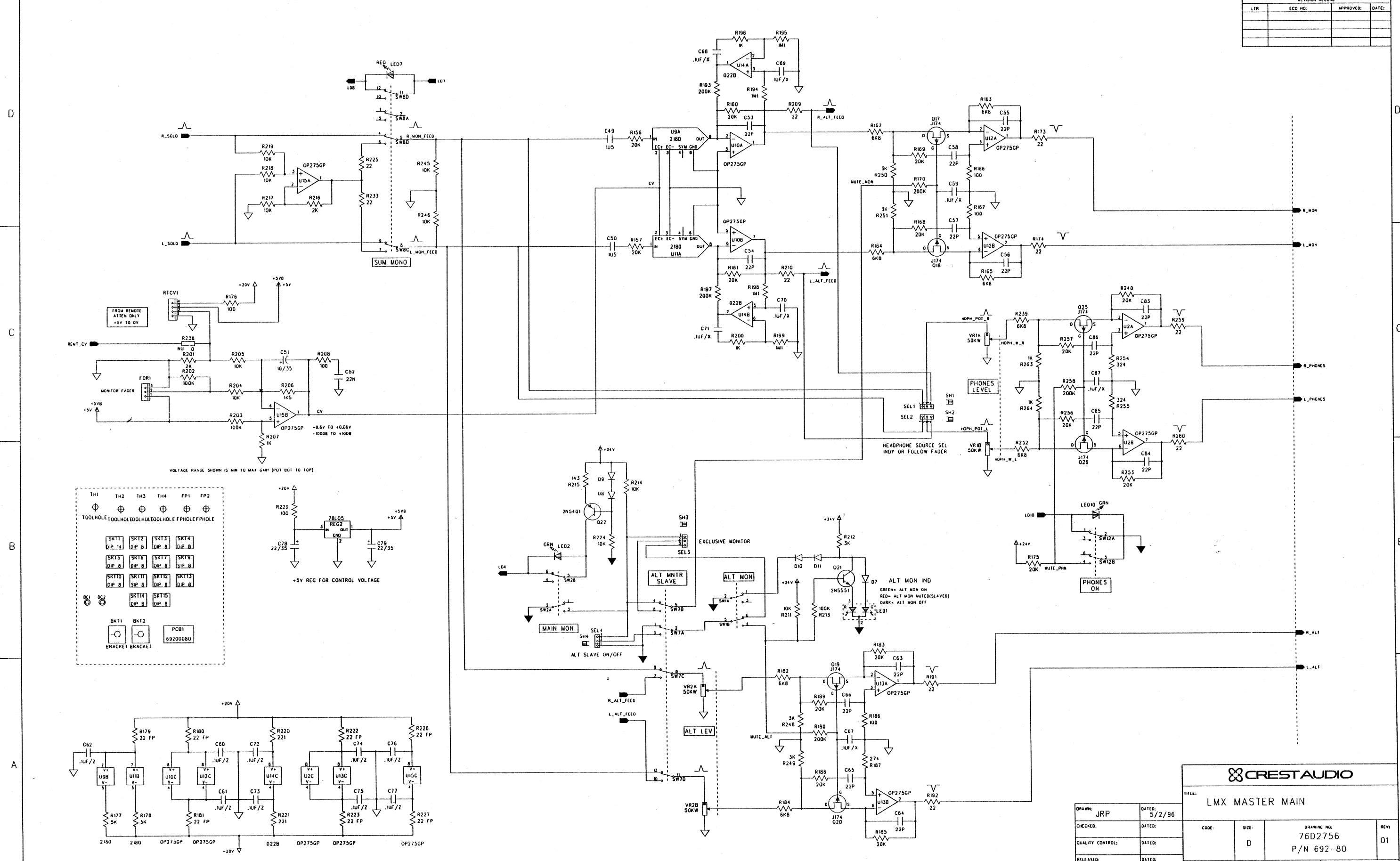
4

3

2

1

REVISION RECORD			
LTR	ECO NO.	APPROVED:	DATE:



CREST AUDIO

FILE: LMx MASTER MAIN

DRAWN: JRP	DATE: 5/2/96	CODE:	SIZE: D	DRAWING NO: 76D2756	REV: 01
CHECKED:	DATE:			P/N 692-80	
QUALITY CONTROL:	DATE:				
RELEASED:	DATE:				

SCALE: SHEET: 2 OF 2

Schematic #21

6

5

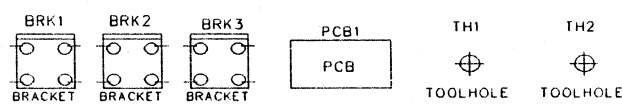
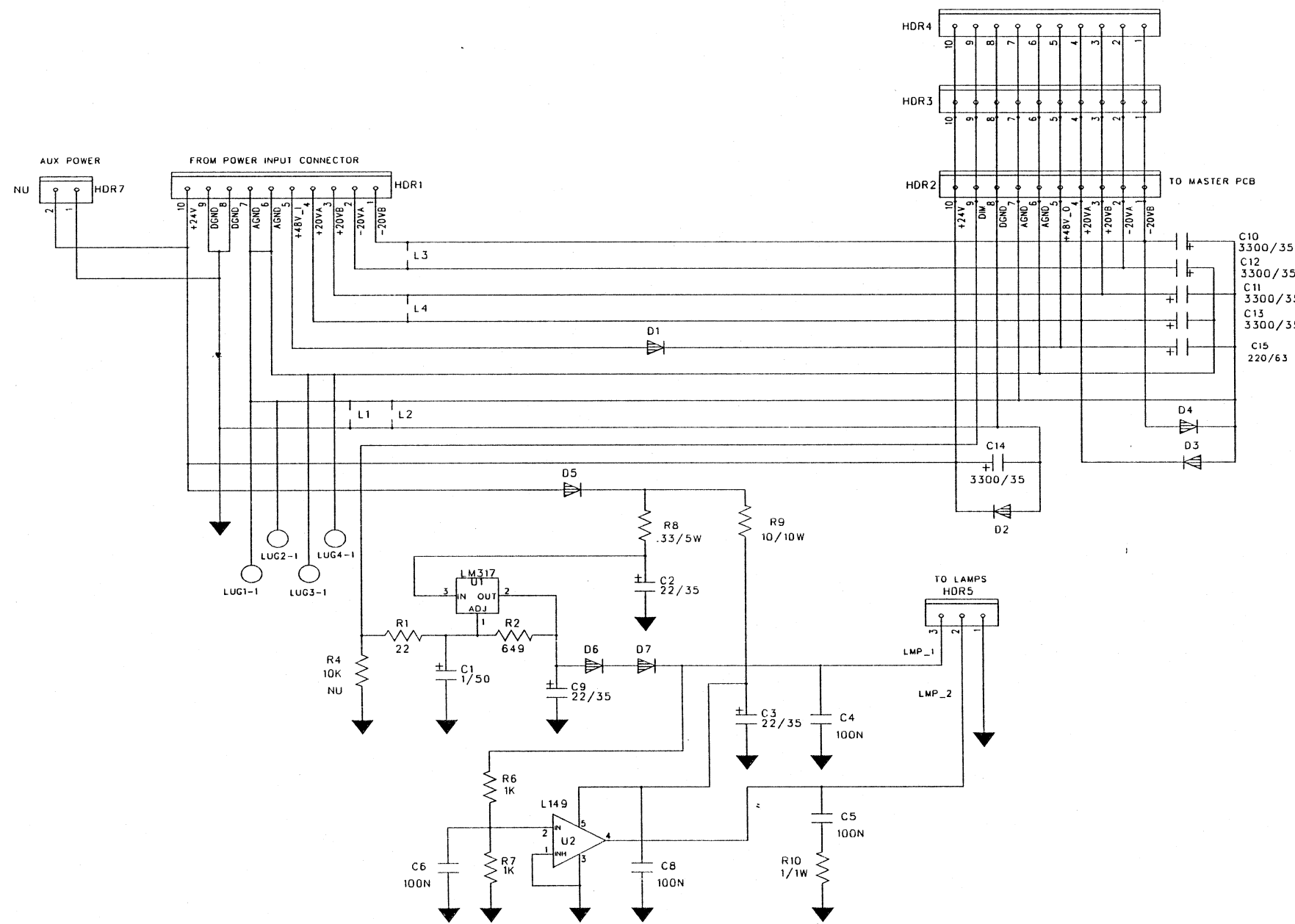
4

3

2

1

REVISION RECORD			
LTR	ECO NO:	APPROVED:	DATE:



COMPANY: CRESTAUDIO			
TITLE: POWER/DIMMER PCB - CENTURY CONSOLE			
CODE:	SIZE:	DRAWING NO:	REV:
SCALE:			SHEET: OF

DRAWN:	DATED:
CHECKED:	DATED:
QUALITY CONTROL:	DATED:
RELEASED:	DATED:

6

5

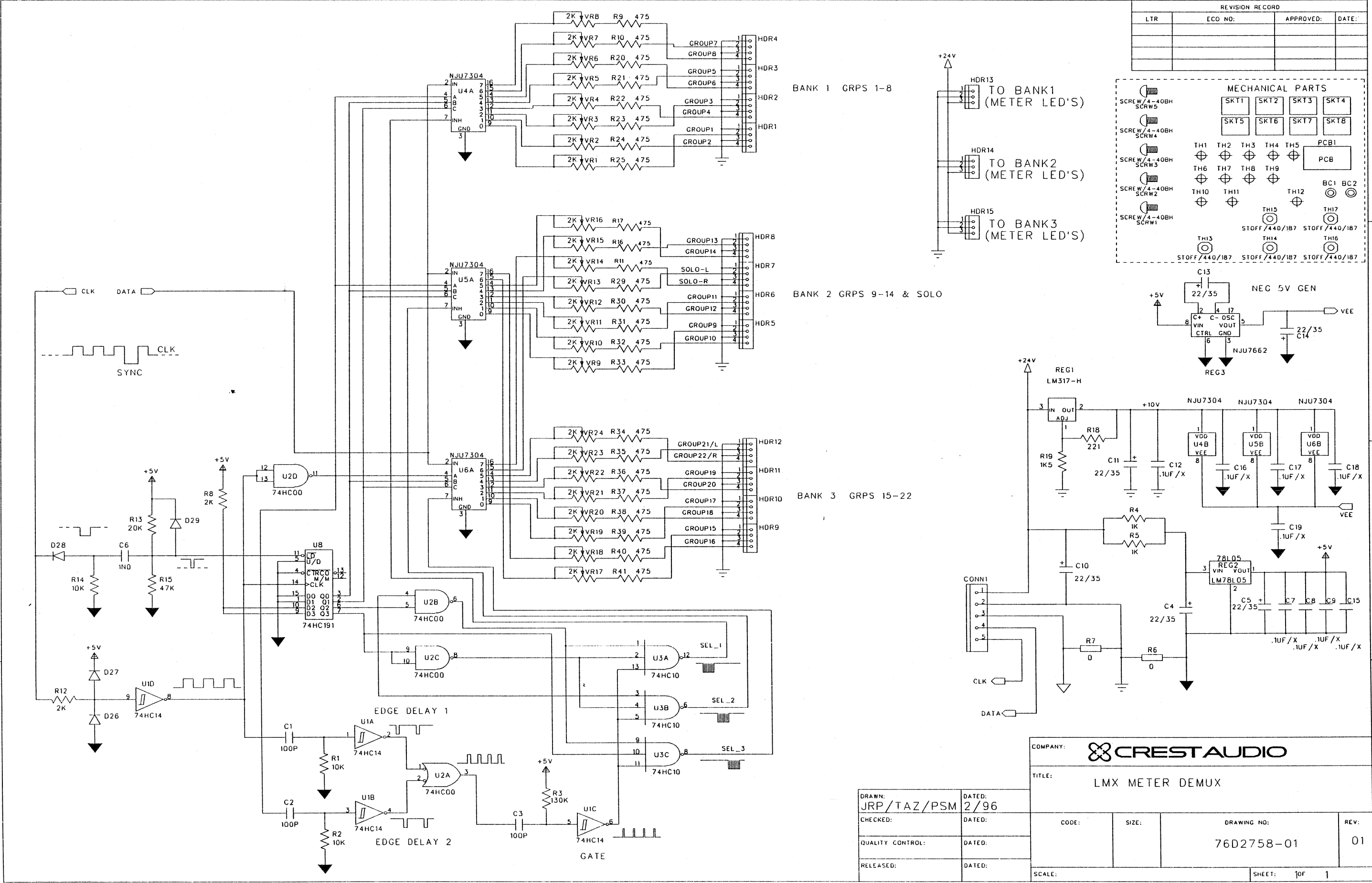
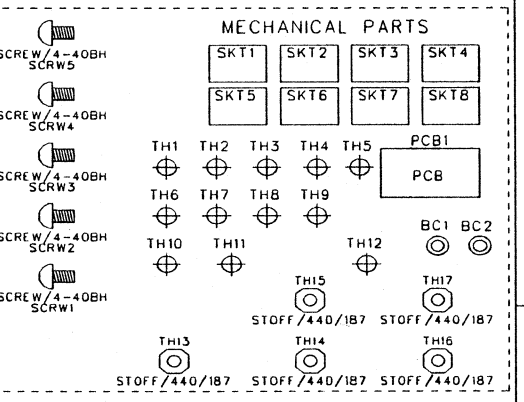
4

3

2

1

REVISION RECORD			
LTR	ECO NO:	APPROVED:	DATE:



D

C

B

A

D

C

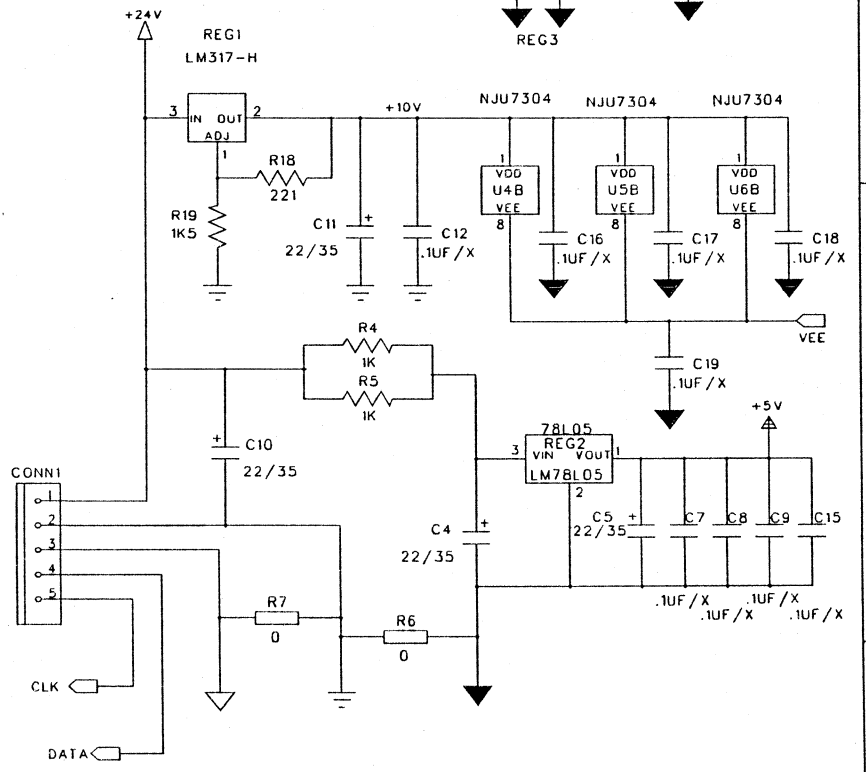
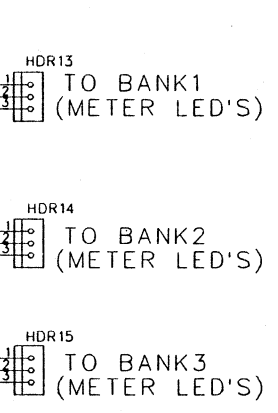
B

A

BANK 1 GRPS 1-8

BANK 2 GRPS 9-14 & SOLO

BANK 3 GRPS 15-22



DRAWN: JRP/TAZ/PSM	DATED: 2/96
CHECKED:	DATED:
QUALITY CONTROL:	DATED:
RELEASED:	DATED:

COMPANY: CREST AUDIO			
TITLE: LMX METER DEMUX			
CODE:	SIZE:	DRAWING NO: 76D2758-01	REV: 01
SCALE:		SHEET: 10F 1	

Schematic #23

6

5

4

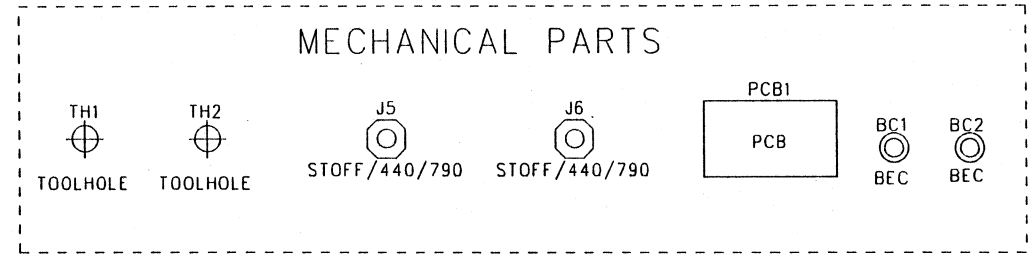
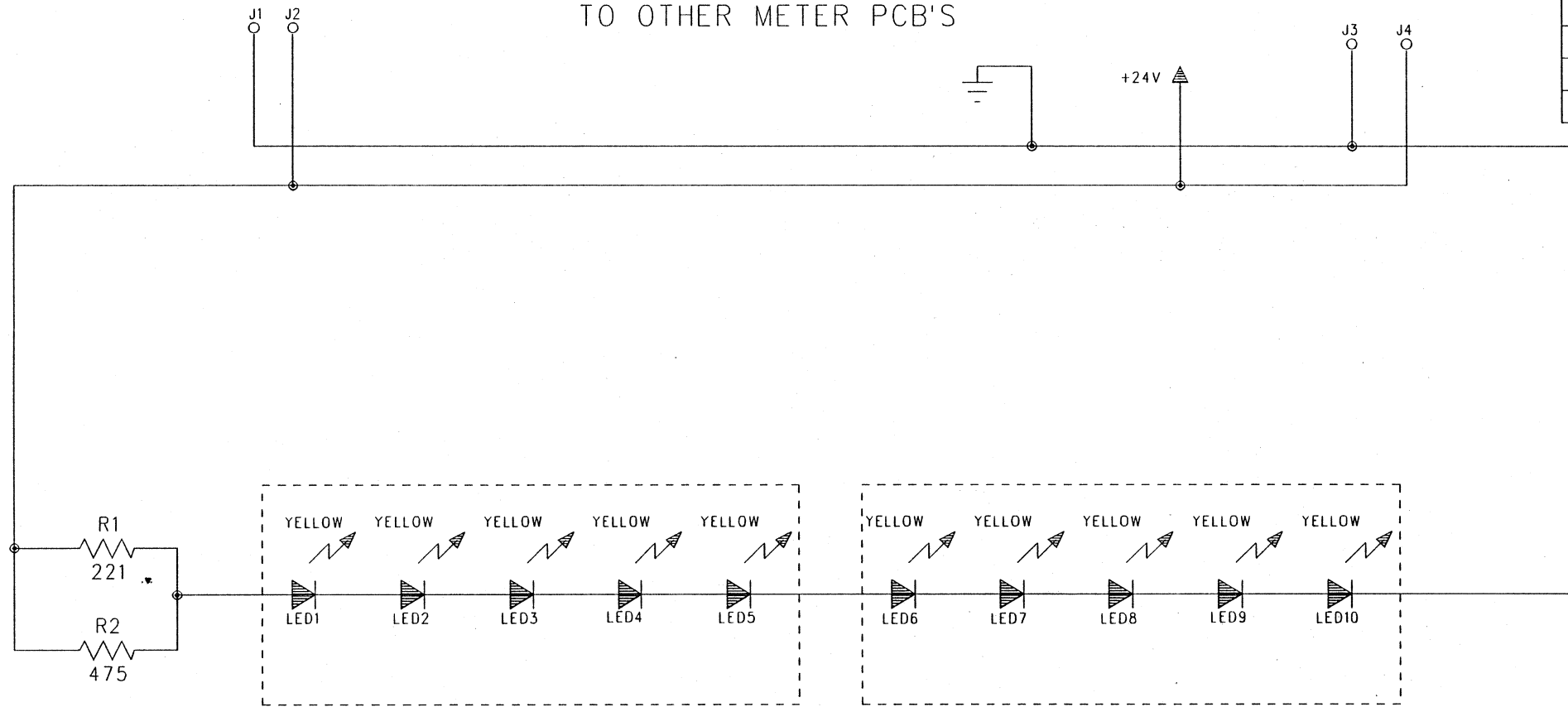
3

2

1

OPTION FOR CHAINING UP POWER SUPPLY TO OTHER METER PCB'S

REVISION RECORD			
LTR	ECO NO:	APPROVED:	DATE:



DRAWN: PSM	DATED: 2/96
CHECKED:	DATED:
QUALITY CONTROL:	DATED:
RELEASED:	DATED:

COMPANY: CREST AUDIO			
TITLE: LMX 2 WAY GROUP METER LED PCB			
CODE:	SIZE:	DRAWING NO: 76D2817-00	REV: 0
SCALE:			SHEET: 1 OF 1

6

5

4

3

2

1

OPTION FOR CHAINING UP POWER SUPPLY
TO OTHER METER PCB'S

REVISION RECORD			
LTR	ECO NO:	APPROVED:	DATE:

D

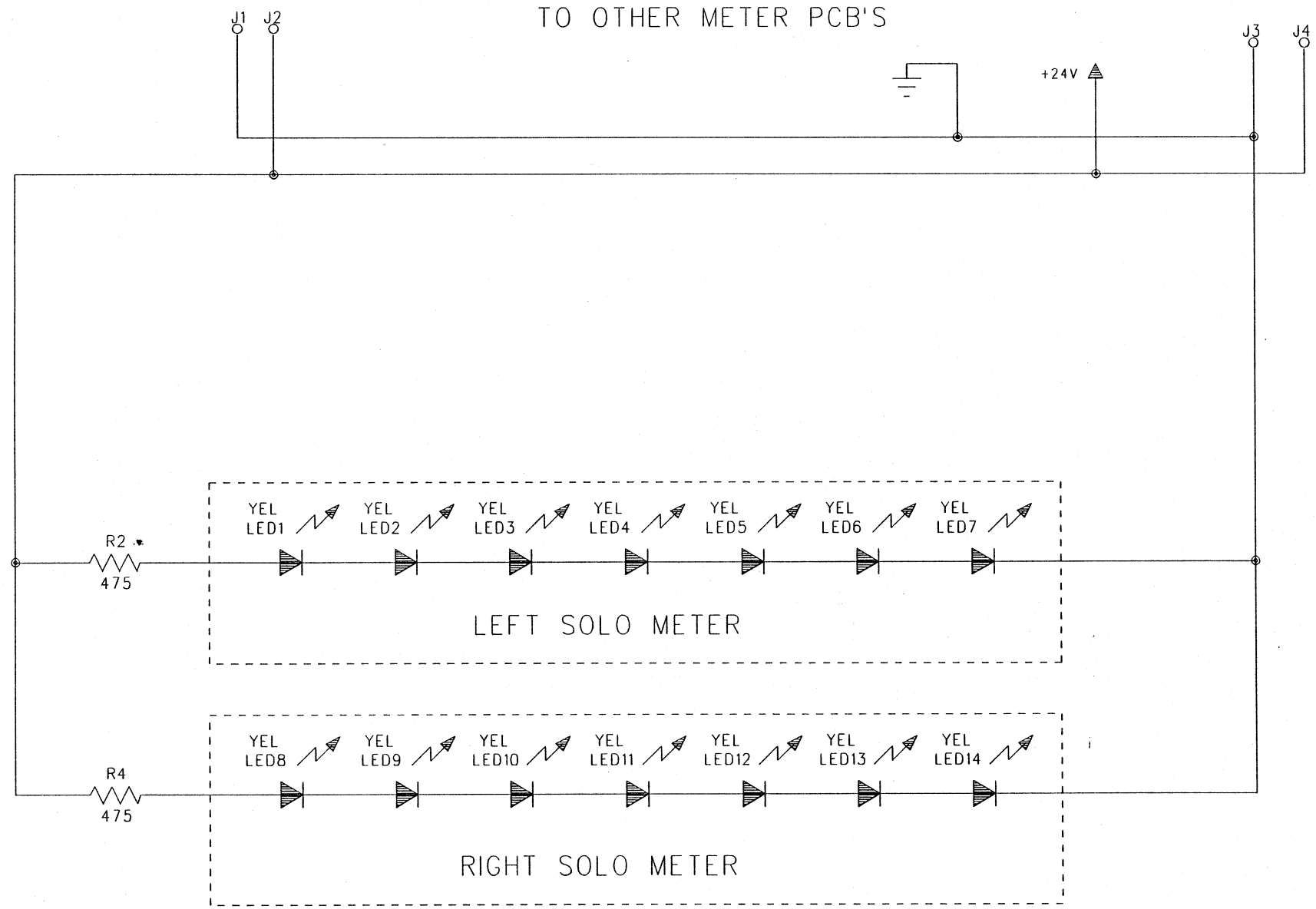
D

C

C

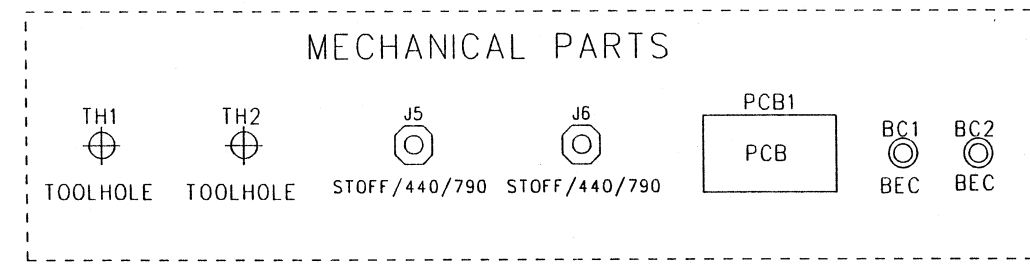
B

B



A

A



DRAWN: PSM	DATED: 2/96
CHECKED:	DATED:
QUALITY CONTROL:	DATED:
RELEASED:	DATED:

COMPANY:			
TITLE: LMX 2 WAY SOLO METER LED PCB			
CODE:	SIZE:	DRAWING NO: 76D2818-00	REV: 0
SCALE:		SHEET: 1 OF 1	

6

5

4

3

2

1

OPTION FOR CHAINING UP POWER SUPPLY
TO OTHER METER PCB'S

REVISION RECORD			
LTR	ECO NO:	APPROVED:	DATE:

D

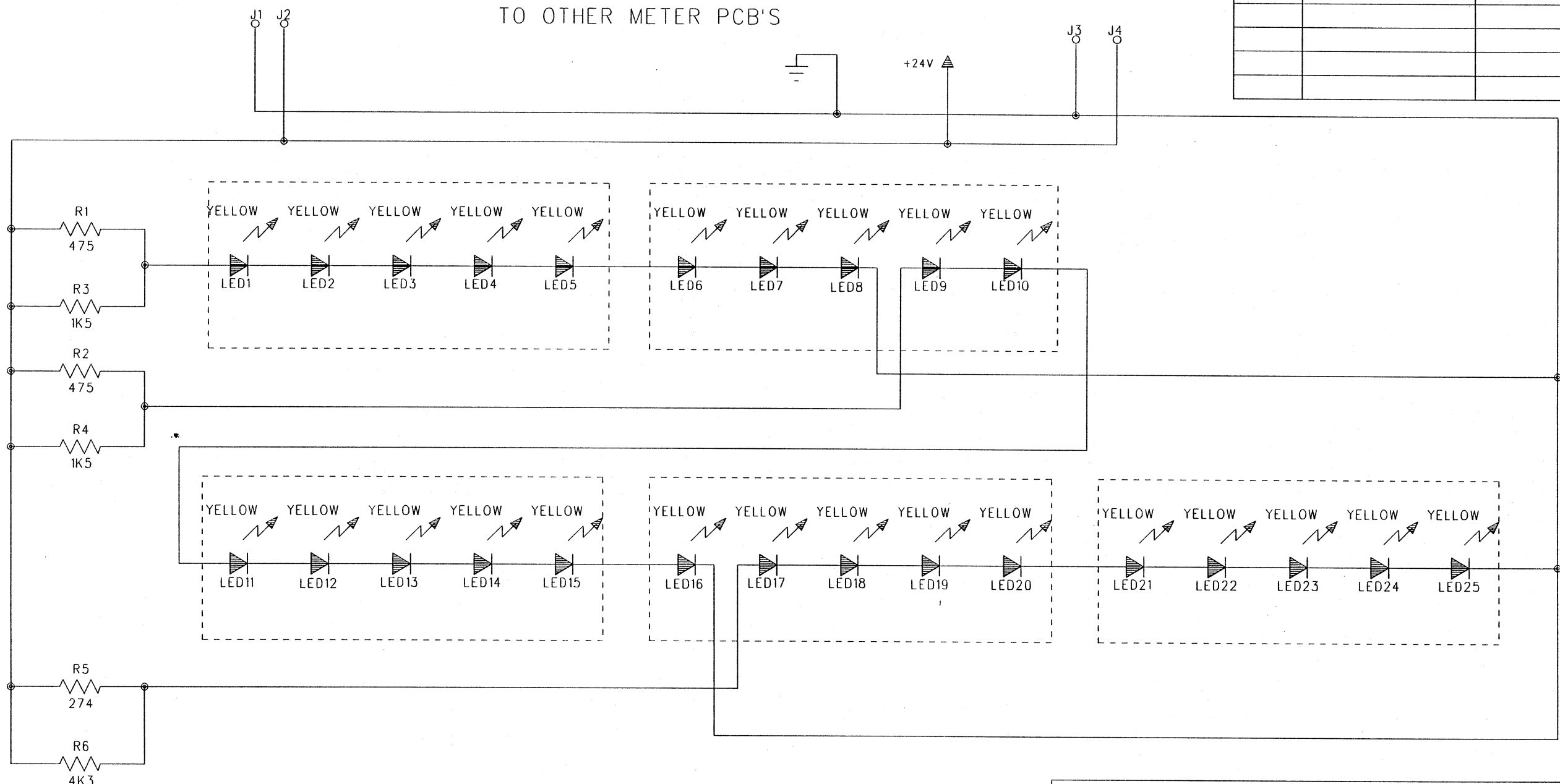
D

C

C

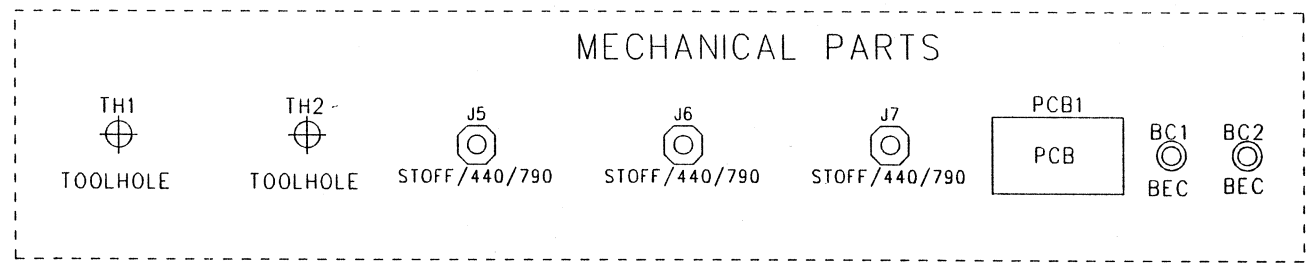
B

B



A

A



DRAWN: PSM	DATED: 2/96
CHECKED:	DATED:
QUALITY CONTROL:	DATED:
RELEASED:	DATED:

COMPANY: CREST AUDIO			
TITLE: LMX 5 WAY GROUP METER LED PCB			
CODE:	SIZE:	DRAWING NO: 76D2816-00	REV: 0
SCALE:		SHEET: 1 OF 1	

6

5

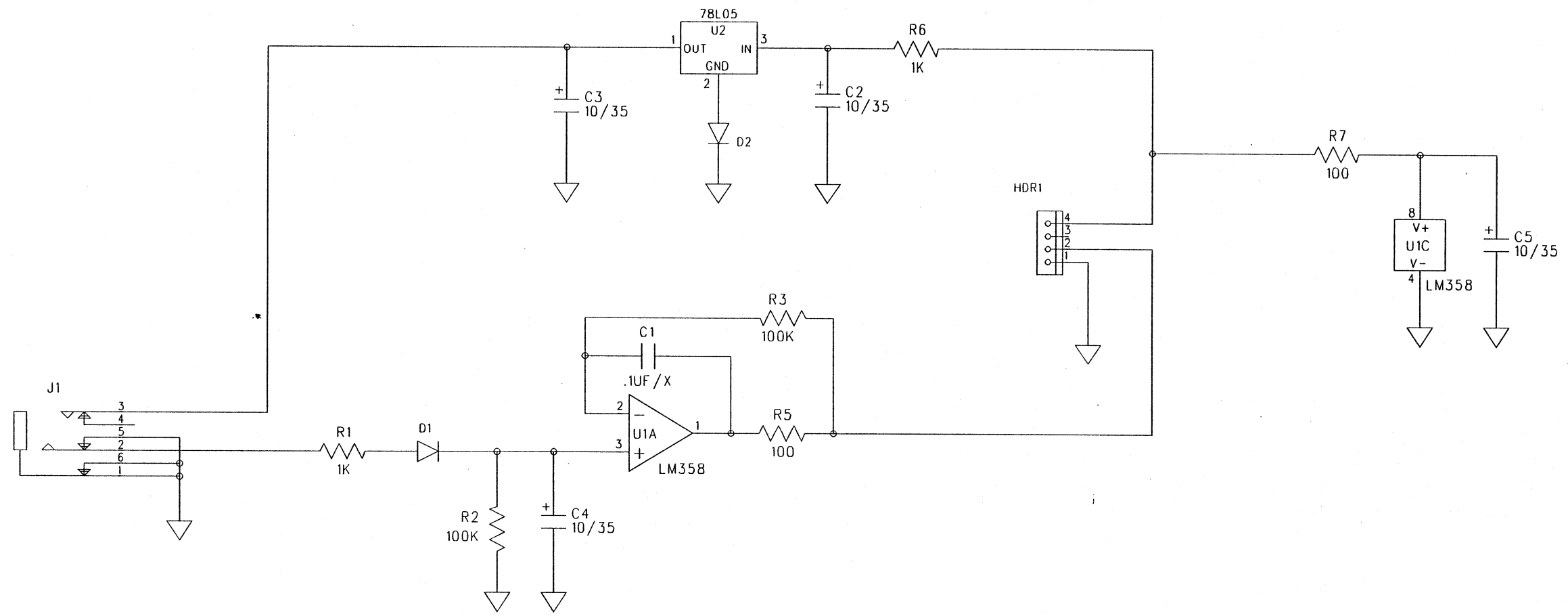
4

3

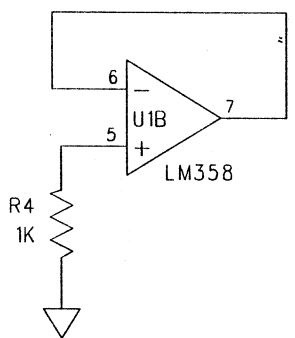
2

1

REVISION RECORD			
LTR	ECO NO:	APPROVED:	DATE:



PCB1
PCB
69200098



COMPANY: **CRESTAUDIO**

TITLE: **LMx REMOTE VOLUME CONTROL**

DRAWN: JRP	DATED: 5/8/96	CODE:	SIZE: B	DRAWING NO: 76B2942	REV: 00
CHECKED:	DATED:	SCALE:		SHEET: OF	
QUALITY CONTROL:	DATED:				
RELEASED:	DATED:				