



# CENTURY GT SCHEMATICS

<b>LOCATION</b>	<b>DESCRIPTION</b>	<b>SCHEMATIC #</b>	<b>DWG #</b>	<b>REV #</b>
<b>STANDARD INPUT MODULE</b>	INPUT CONNECTOR PCB	1	N/A	04
	GT INPUT MAIN PCB	2	76D1530	04
	TC INPUT MAIN PCB	3	N/A	02
	SP INPUT MAIN PCB	4	N/A	02
<b>STEREO INPUT MODULE</b>	STEREO INPUT CONNECTOR	5	76D1920	02
	STEREO INPUT MAIN PCB (1 OF 2)	6	76D1919	01
	STEREO INPUT MAIN PCB (2 OF 2)	7	76D1919	01
<b>GROUP MODULE</b>	GROUP CONNECTOR PCB	8	N/A	01
	GROUP MAIN PCB	9	N/A	03
<b>LEFT / RIGHT OUTPUT MODULE</b>	LEFT / RIGHT CONNECTOR PCB	10	N/A	01
	L/R MAIN PCB	11	N/A	04
<b>MONO OUTPUT MODULE</b>	MONO CONNECTOR PCB	12	N/A	04
	MONO MAIN PCB	13	N/A	03
<b>MASTER CONTROL MODULE</b>	MASTER CONNECTOR PCB	14	N/A	04
	MASTER MAIN PCB	15	N/A	04
<b>MATRIX MODULE</b>	MATRIX CONNECTOR PCB	16	76D1922	02
	MATRIX MAIN PCB	17	76D1921	01
<b>RIBBON CABLE PIN OUT DIAGRAMS</b>	RIBBON PIN OUTS	18		

6

5

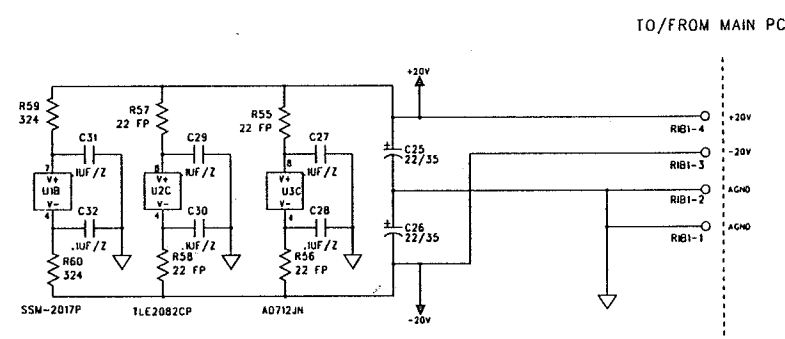
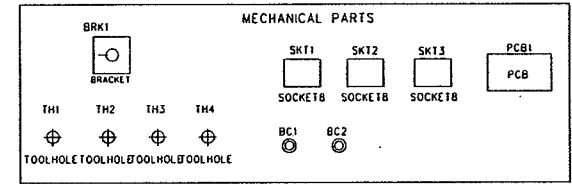
4

3

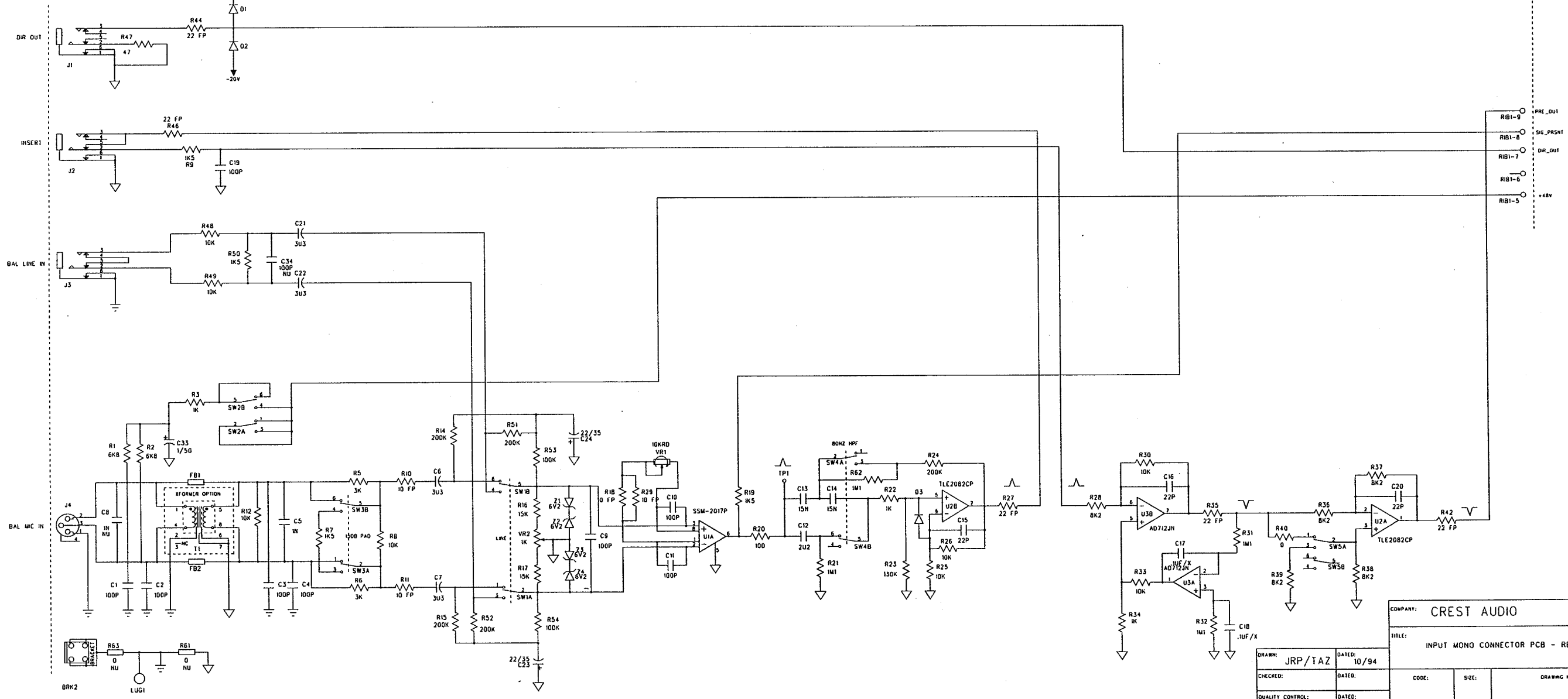
2

1

REVISION RECORD				
REV	ECO NO:	REASON	OK	DATE:
-04		MOVE INPUT XFRMR BEFORE CAPS	JP	10/27/94



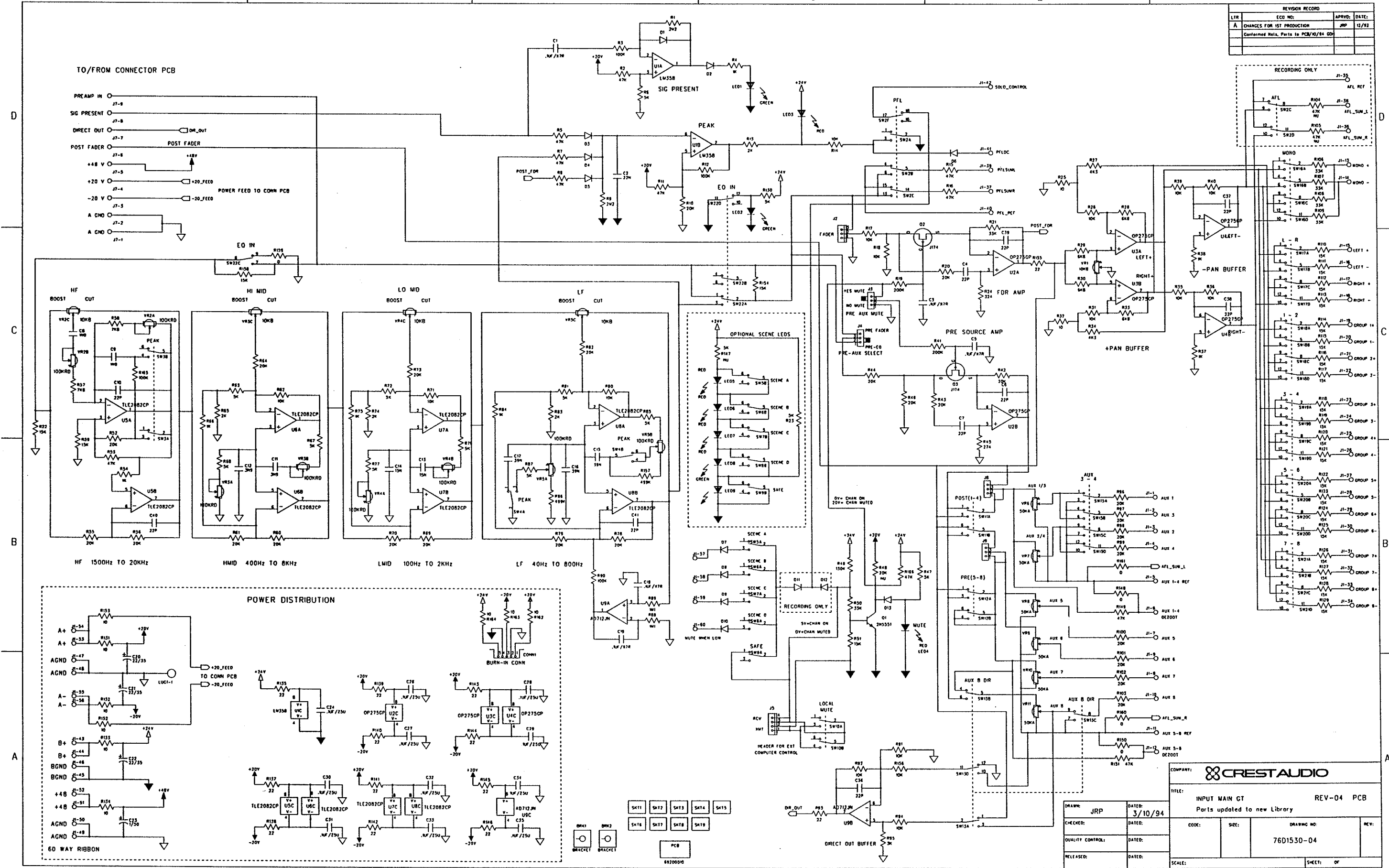
REAR PANEL



COMPANY: CREST AUDIO	
TITLE: INPUT MONO CONNECTOR PCB - REV-04	
DRAWN: JRP/TAZ	DATE: 10/94
CHECKED:	DATED:
QUALITY CONTROL:	DATED:
RELEASED:	DATED:
CODE:	SIZE:
DRAWING NO:	REV:
SCALE:	SHEET: OF

Schematic #1

REVISION RECORD			
LR	ECO NO.	APPROV.	DATE
A	CHANGES FOR 1ST PRODUCTION	JRP	12/92
Confirmed Rel. Parts to PCB/0/84 GDS			



COMPANY: **CREST AUDIO**

TITLE: **INPUT MAIN GT** REV-04 PCB

Partis updated to new Library

CODE:	SIZE:	DRAWING NO:	REV:
		76D1530-04	
SCALE:	SHEET: 07		

DATE: 3/10/94

DRAWN: JRP

CHECKED:

QUALITY CONTROL:

RELEASED:

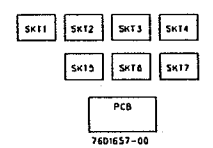
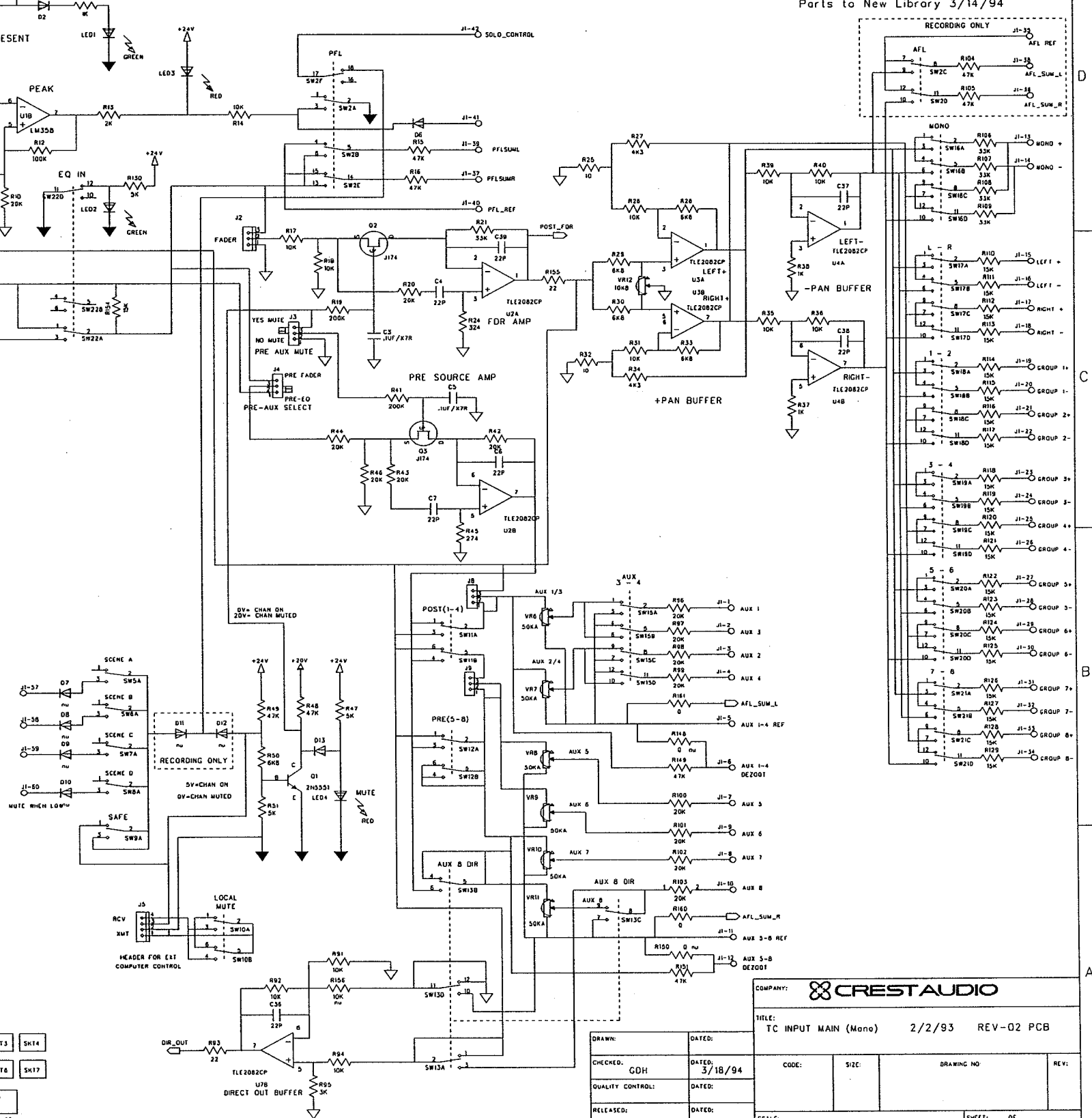
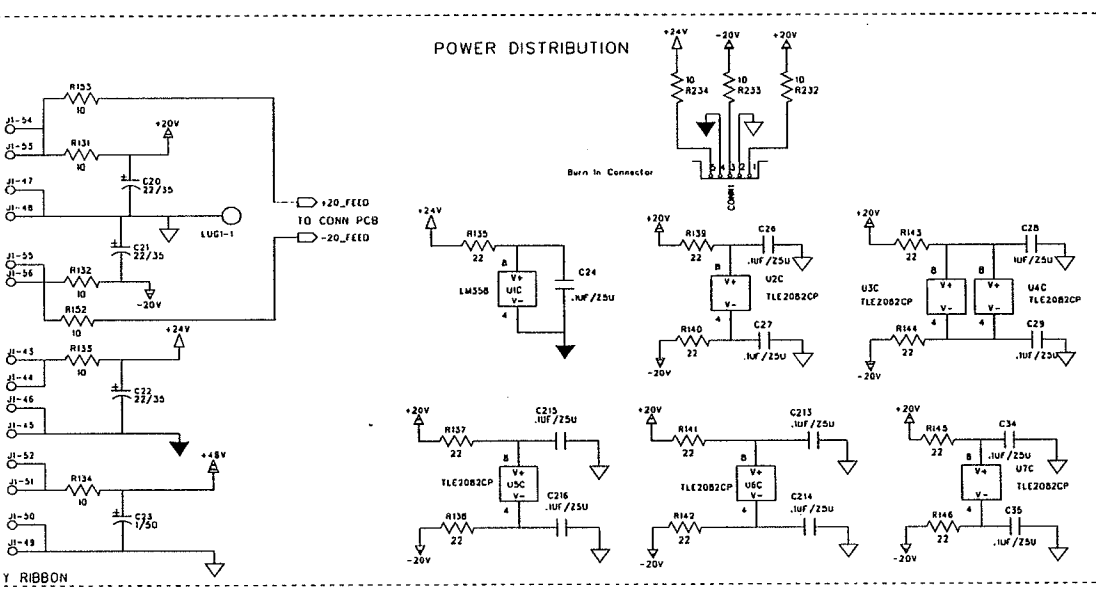
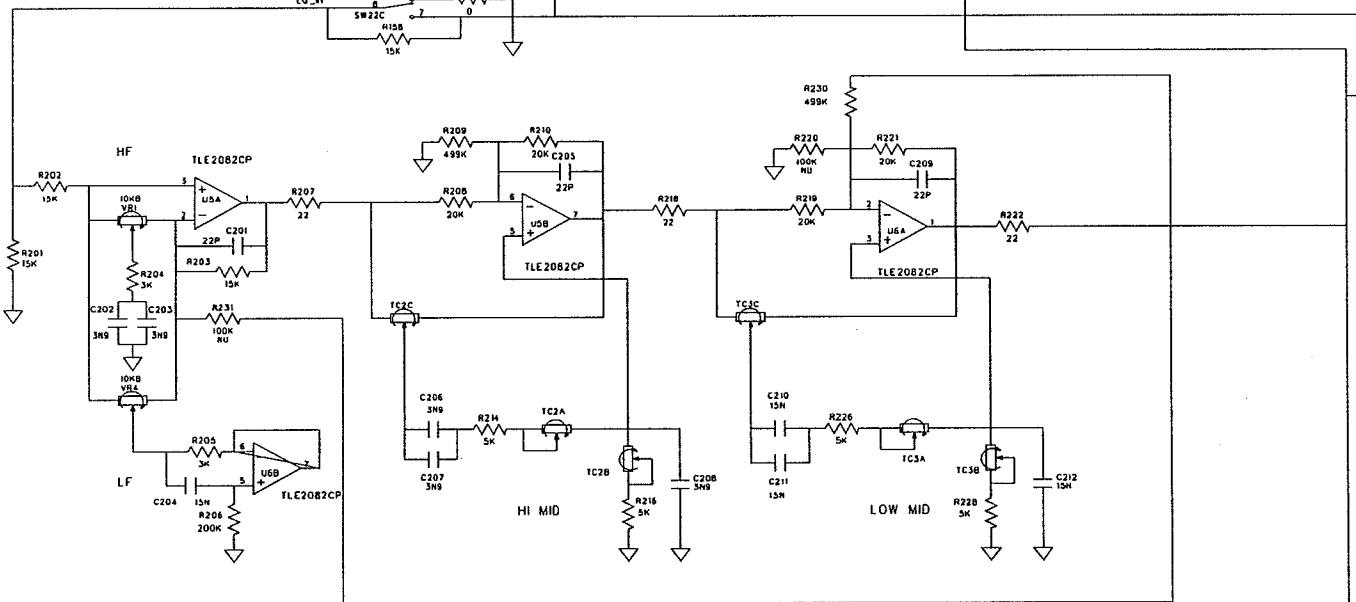
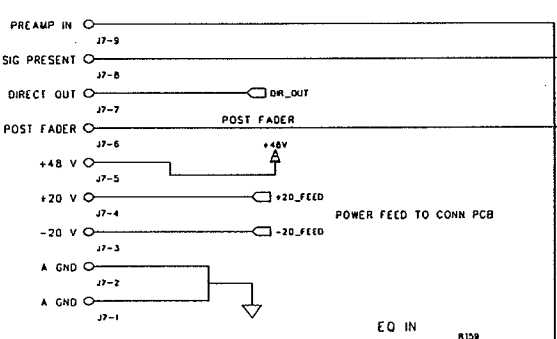
Schematic #2

REVISION RECORD			
LR	ECO NO.	APPROVED:	DATE:
A	CHANGES FOR 1ST PRODUCTION	JRP	12/92
	REV 2 Copper		

\*\*\* SP Note \*\*\*  
 Either the SP-X AND L-X OR TC-X are filled-- Never both  
 SP MOVED TO SEPARATE SCHEMATIC 3/18/94 GDH

Parts to New Library 3/14/94

TO/FROM CONNECTOR PCB



COMPANY: CRESTAUDIO	
TITLE: TC INPUT MAIN (Mono) 2/2/93 REV-02 PCB	
DRAWN:	DATED:
CHECKED: GDH	DATED: 3/18/94
QUALITY CONTROL:	DATED:
RELEASED:	DATED:
CODE:	SIZE:
DRAWING NO:	REV:
SCALE:	SHEET: OF

6

5

4

3

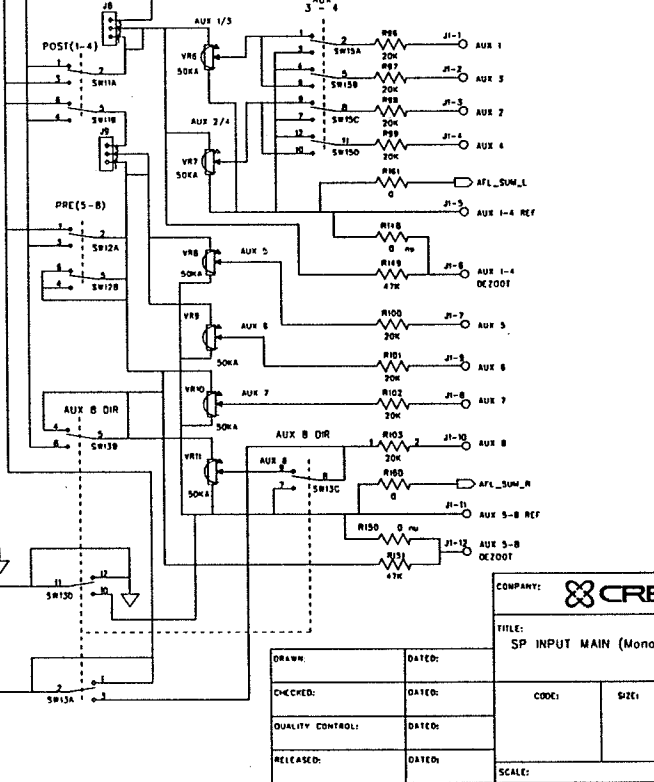
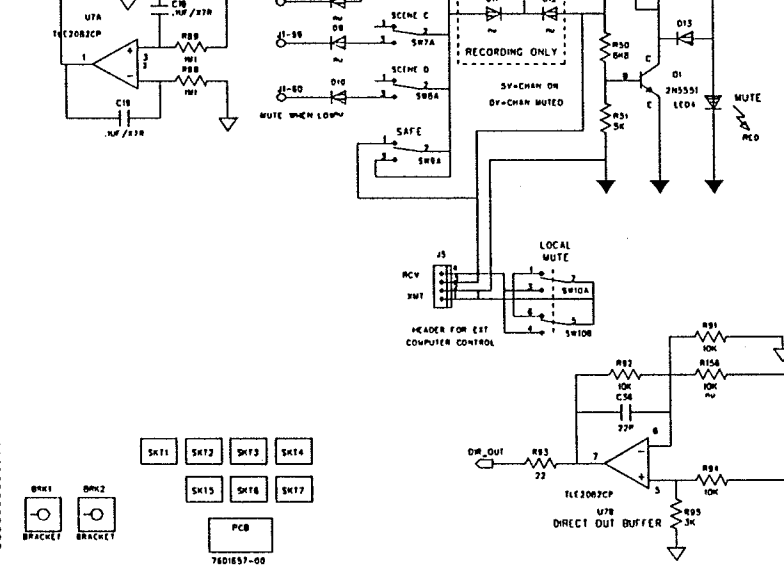
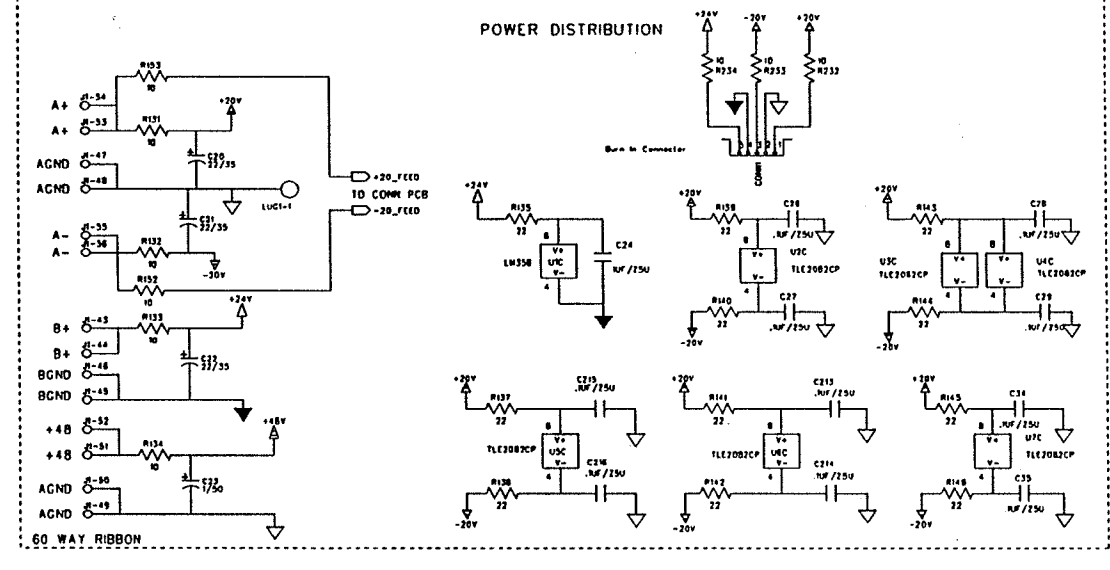
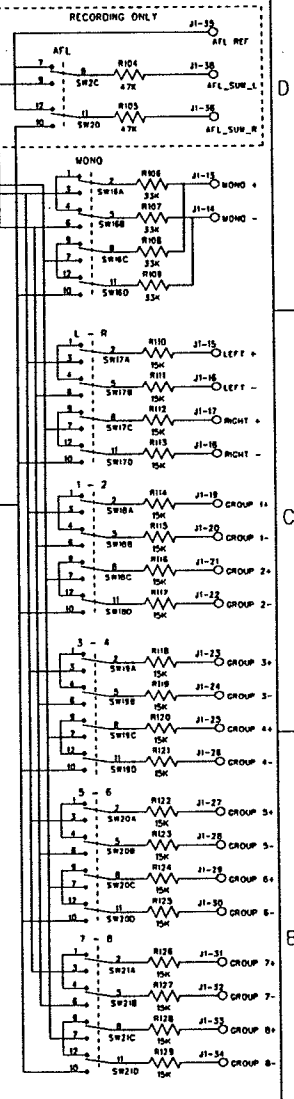
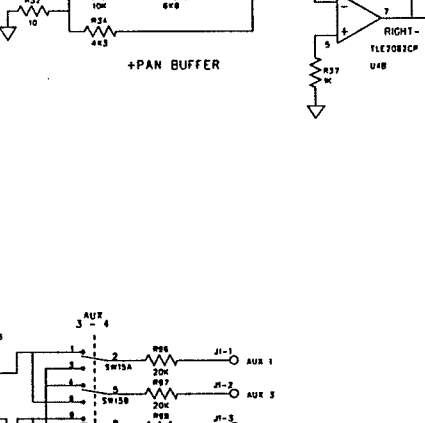
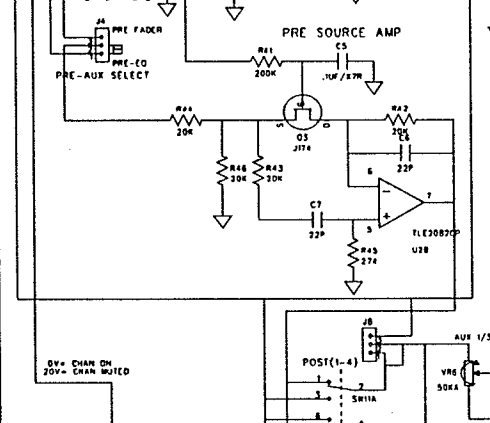
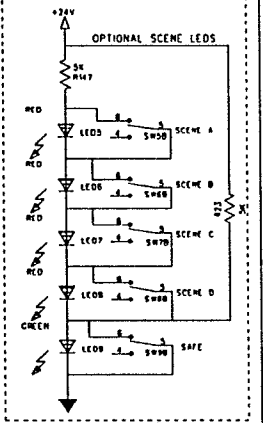
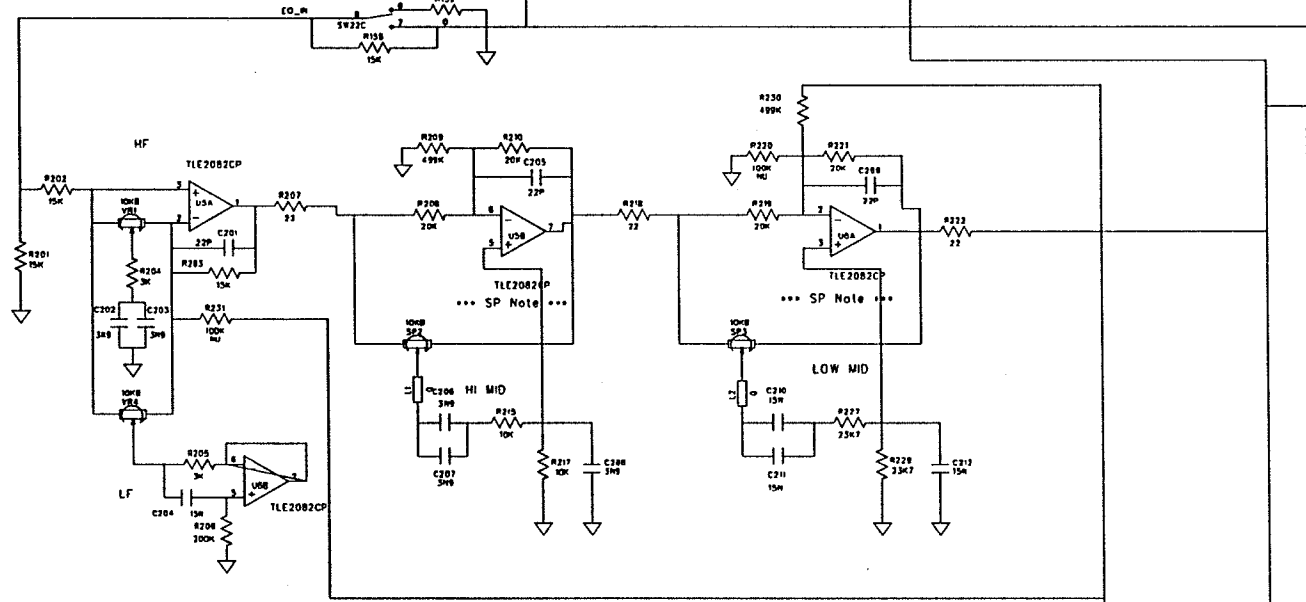
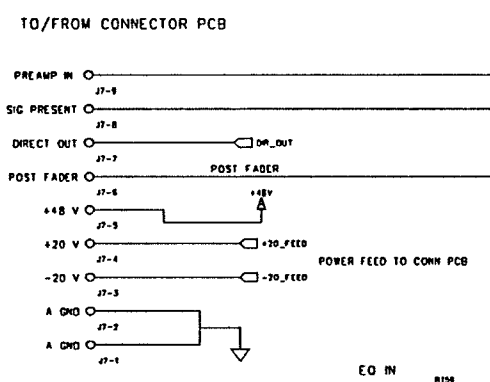
2

1

REVISION RECORD			
LTN	ECO NO.	APPROVED:	DATE:
A	CHANGES FOR 1ST PRODUCTION	JMP	12/92
	REV 2 Copper		

\*\*\* SP Note \*\*\*  
 Either the SP-X AND L-X OR TC-X are fitted-- Never both  
 TC EXTRACTED TO SEPARATE SCHEMATIC 3/18/94 GDH

Parts to New Library 3/14/94

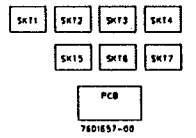


COMPANY: **CRESTAUDIO**

TITLE: **SP INPUT MAIN (Mono) 2/2/93 REV-02 PCB**

DRAWN:	DATED:	CODE:	SIZE:	DRAWING NO.:	REV:
CHECKED:	DATED:	QUALITY CONTROL:	DATED:	RELEASED:	DATED:

SCALE: SHEET: OF



Schematic #4

6

5

4

3

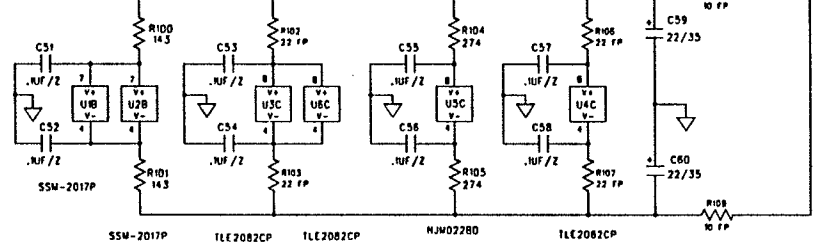
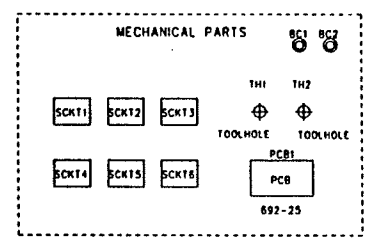
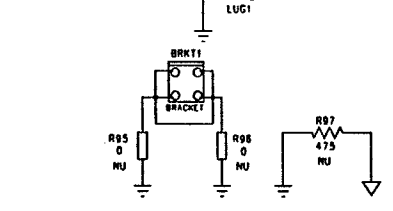
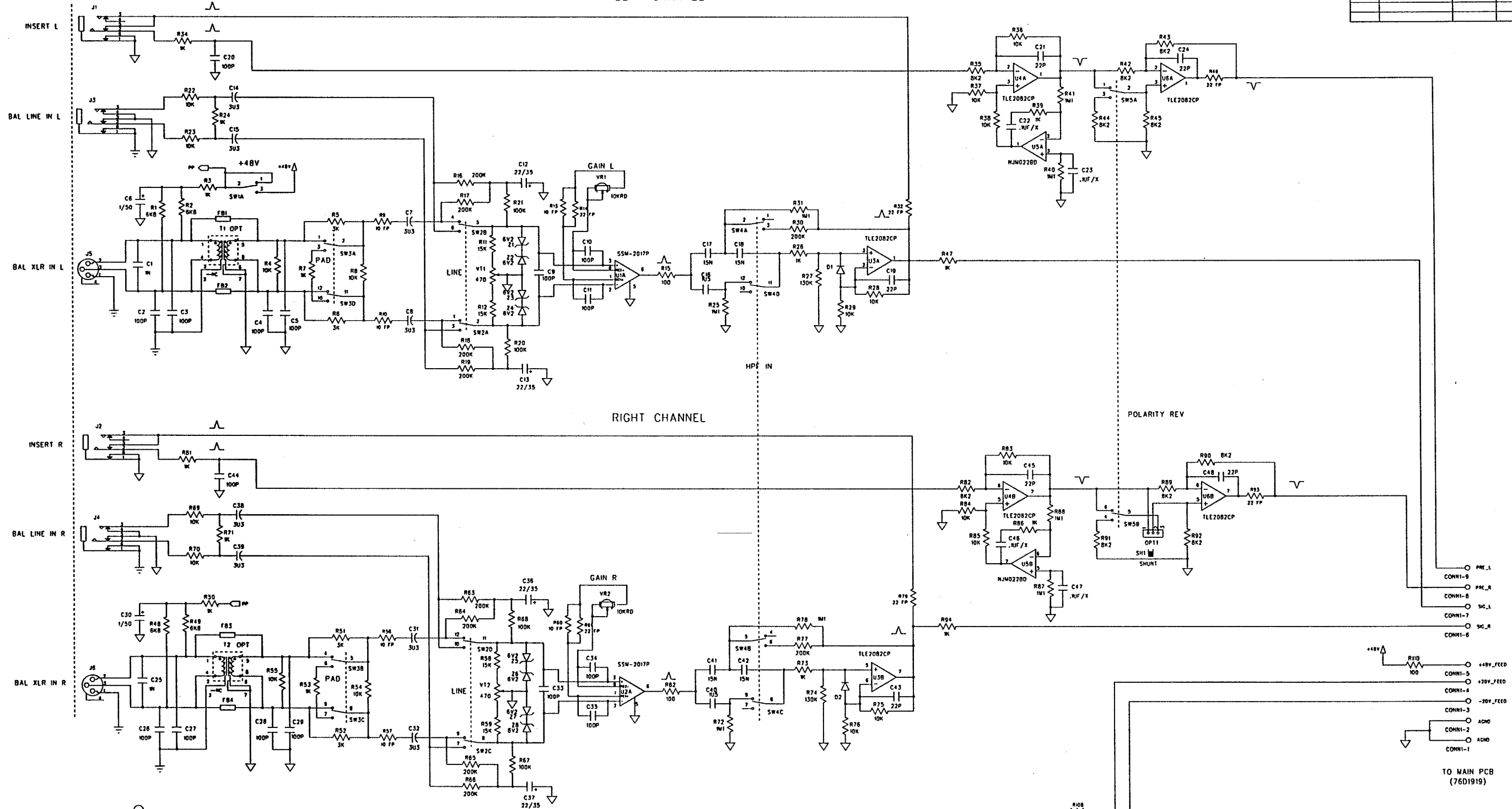
2

1

REVISION RECORD			
LTN	ECO NO.	APPROVED:	DATE:

LEFT CHANNEL

RIGHT CHANNEL



DRAWN: JRP	DATE: 8/94
CHECKED: J LOY	DATE: 5/16/94
QUALITY CONTROL:	DATE:
RELEASED:	DATE:

COMPANY: CRESTAUDIO	
TITLE: GT STEREO INPUT CONNECTOR PCB	
CODE:	SIZE:
DRAWING NO: 76D1920-02	
SCALE:	SHEET: 1 OF

Schematic #5

6

5

4

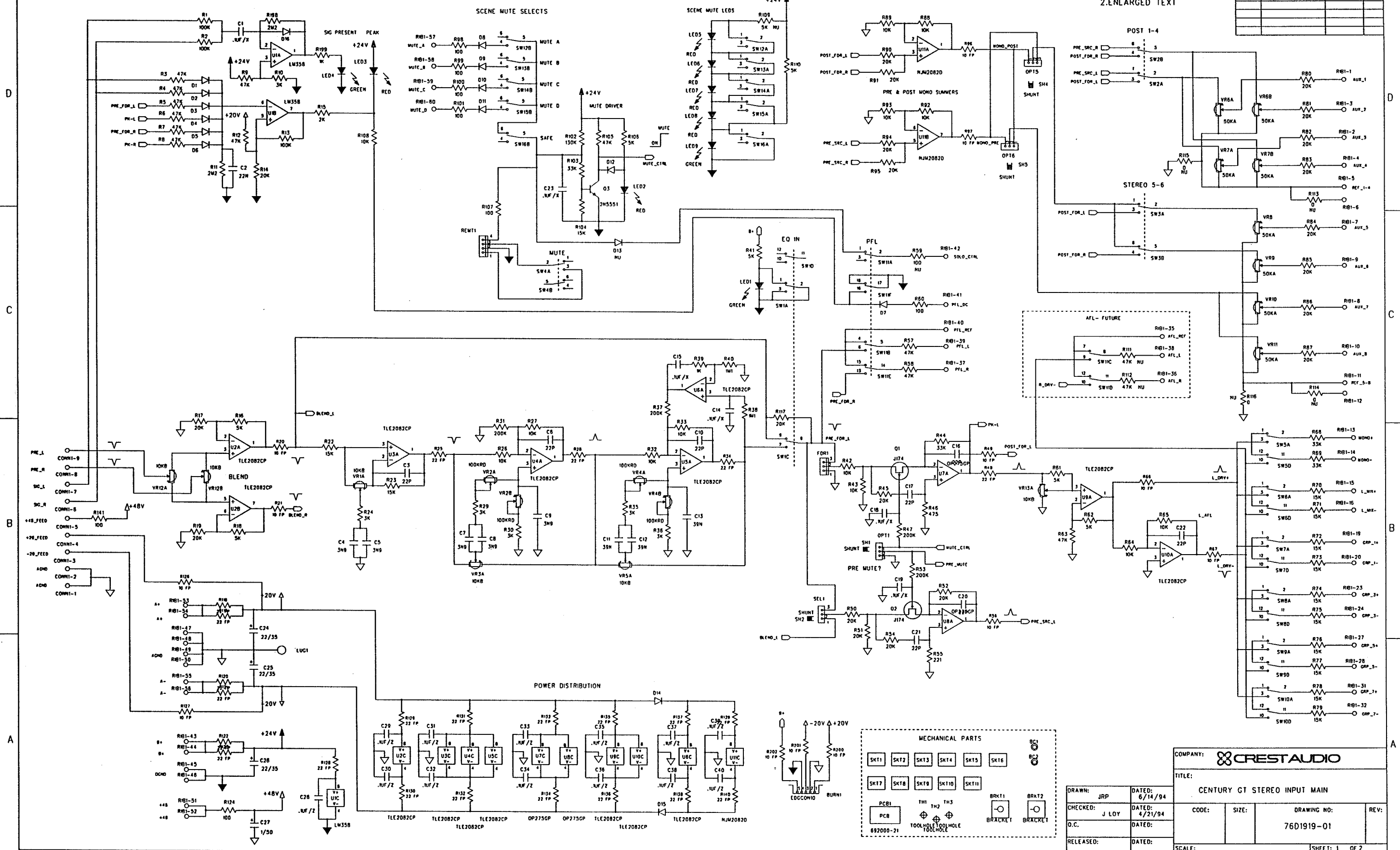
3

2

1

1. REVISED TO NEW LIBRARY  
2. ENLARGED TEXT

REVISION RECORD		
LTR	ECO NO.	APPROVED DATE



COMPANY: <b>CREST AUDIO</b>	
TITLE: <b>CENTURY GT STEREO INPUT MAIN</b>	
DRAWN: JRP	DATED: 6/14/94
CHECKED: J LOY	DATED: 4/21/94
O.C.	DATED:
RELEASED:	DATED:
CODE:	SIZE:
DRAWING NO:	REV:
76D1919-01	
SCALE:	SHEET: 1 OF 2

Schematic #6

6

5

4

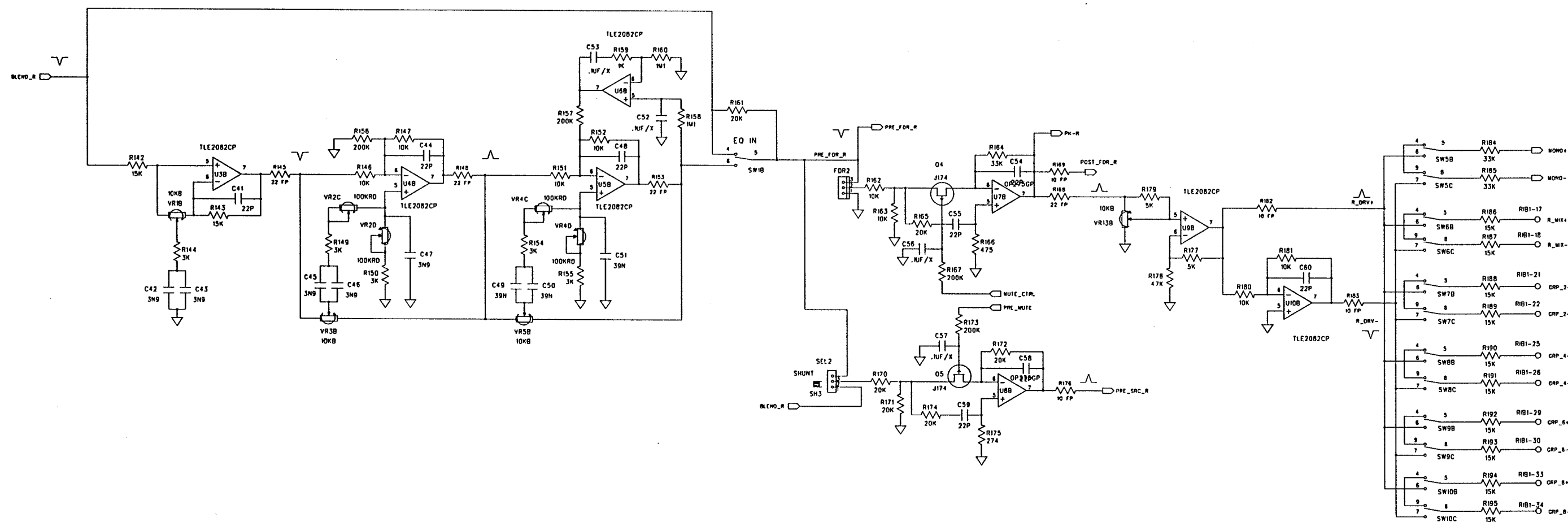
3

2

1

REVISION RECORD		
LTR	ECO NO.	APPROVED DATE

REVISED TO NEW LIBRARY  
ENLARGED TEXT



**CREST AUDIO**

GT INPUT STEREO MAIN, EQ RIGHT

DRAWN:	DATED: 6/14/94	CODE:	SIZE:	DRAWING NO:	REV:
CHECKED: J LOY	DATED: 4/21/94			76D1919-01	
QUALITY CONTROL:	DATED:				
RELEASED:	DATED:				

SCALE: SHEET: 2 OF 2

Schematic #7



6 5 4 3 2 1

REVISION RECORD			
LTR	ECO NO.	APPROVED:	DATE:

D

C

B

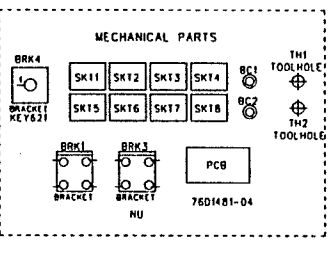
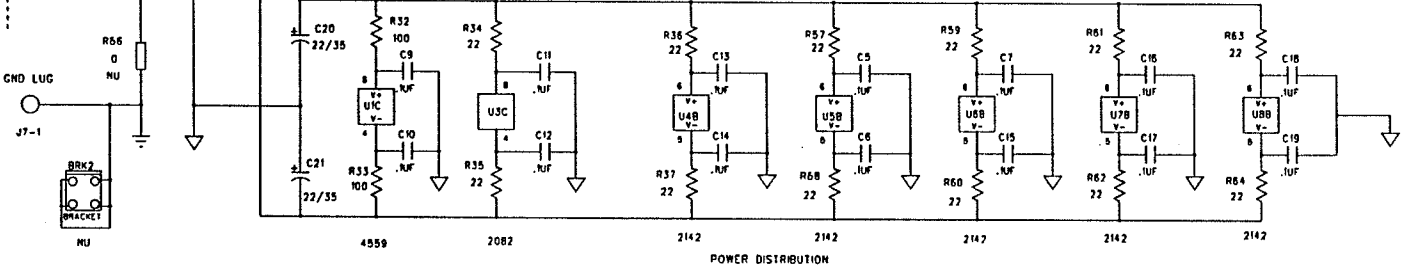
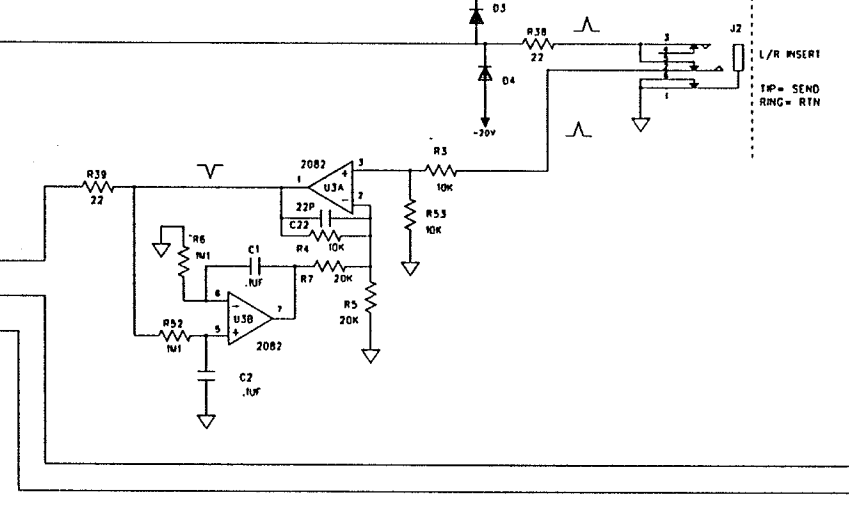
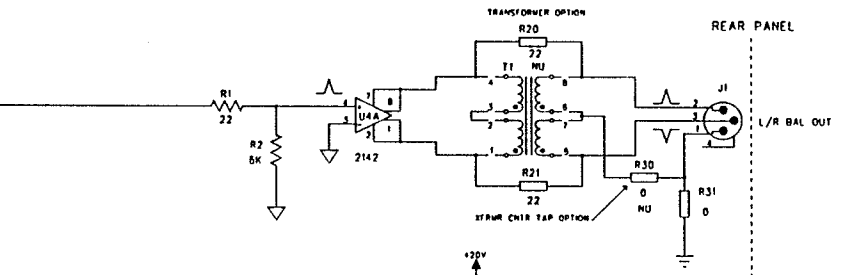
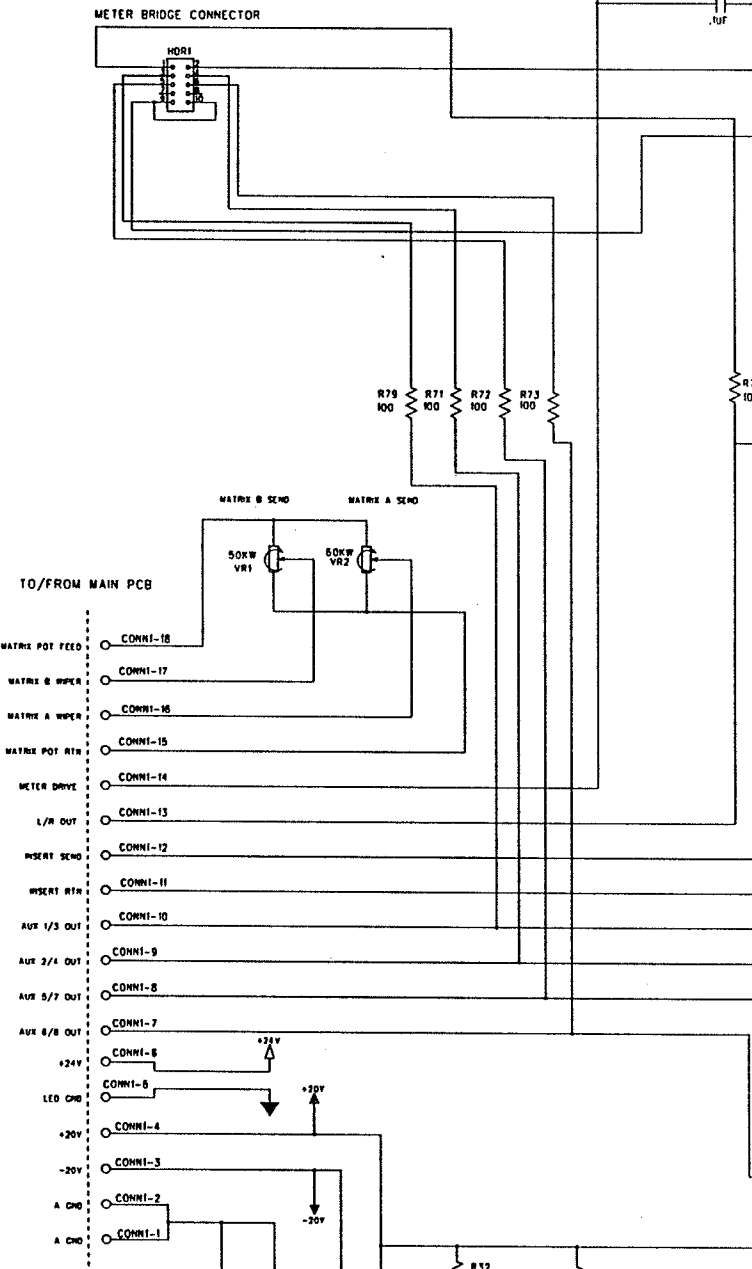
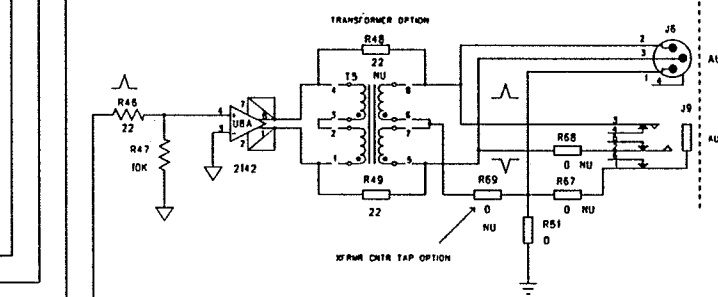
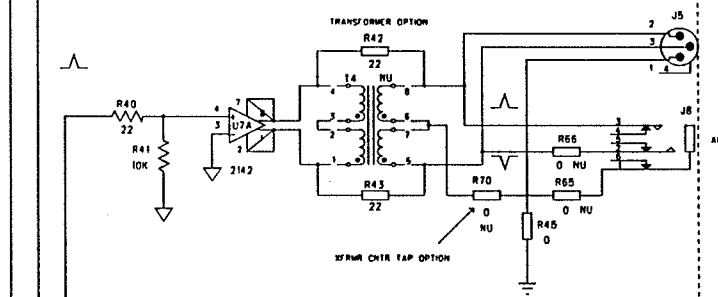
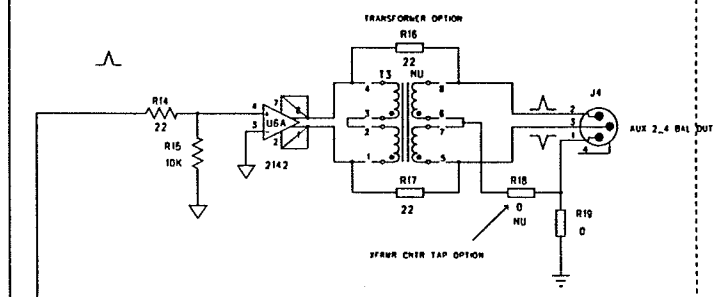
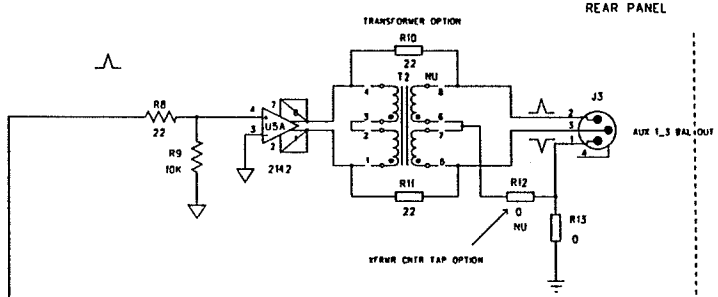
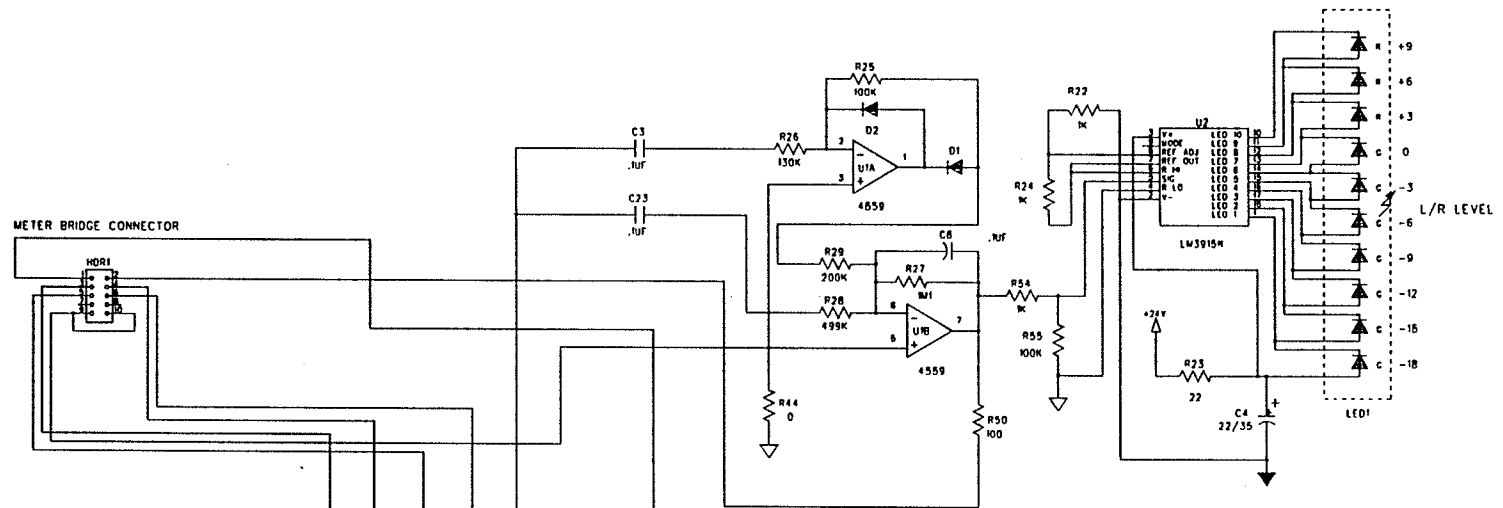
A

D

C

B

A



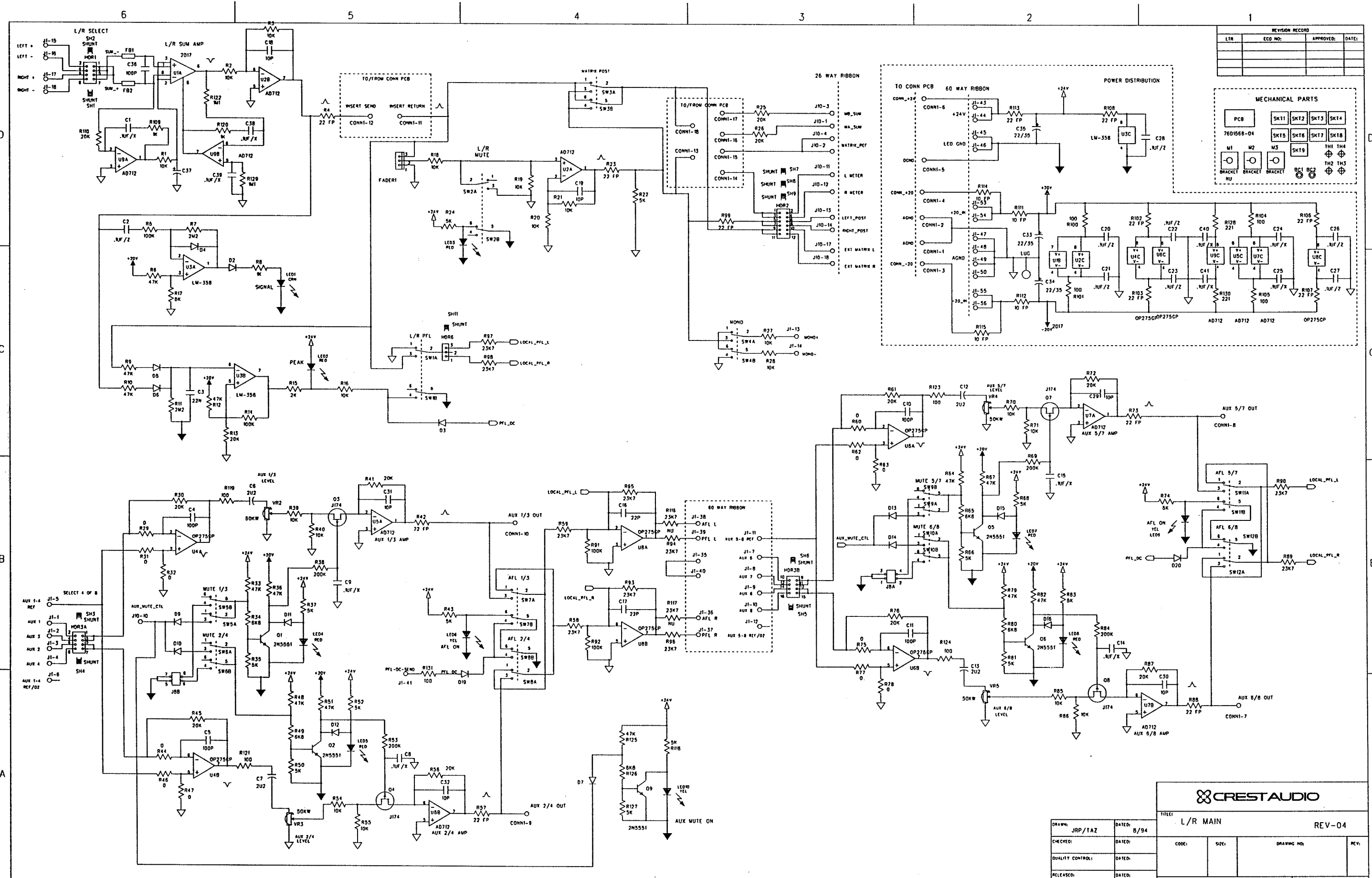
**CRESTAUDIO**

FILE: L\_R CONNECTOR PCB 7/94  
REV-04 PCB

DRAWN: JRP/TAZ	DATE: 7/94	CODE:	SIZE:	DRAWING NO:	REV:
CHECKED:	DATE:	FILE: LRCNNDDI	REV-01 NET NOT CHECKED		
QUALITY CONTROL:	DATE:				
RELEASED:	DATE:				

SCALE: SHEET: 1 OF 1

Schematic #10



REVISION RECORD			
LT#	ECO NO:	APPROVED:	DATE:

MECHANICAL PARTS			
PCB	SKT1	SKT2	SKT3
7601568-04	SKT5	SKT6	SKT7
M1	M2	M3	SKT9
BRACKET	BRACKET	BRACKET	TH1 TH4
NU	NU	NU	TH2 TH3

**CRESTAUDIO**

FILE# L/R MAIN REV-04

DRAWN: JRP/TAZ	DATE: 8/94	CODE:	SZ:	DRAWING NO:	REV:
CHECKED:	DATE:				
QUALITY CONTROL:	DATE:				
RELEASED:	DATE:				

SCALE: SHEET: OF

Schematic #11

6

5

4

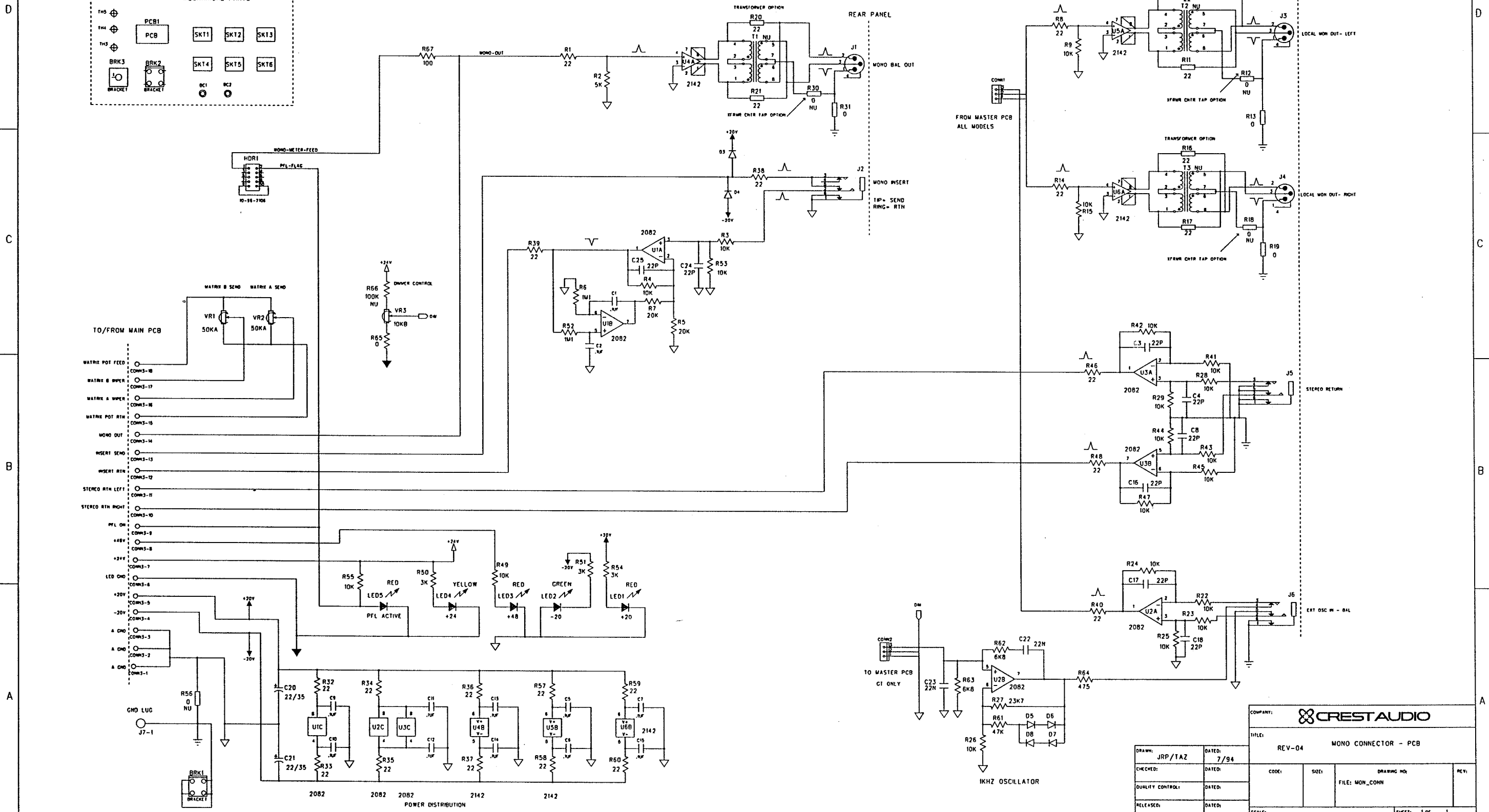
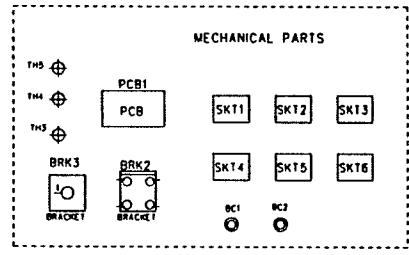
3

2

1

REVISION RECORD			
LTN	ECCO NO.	APPROVED:	DATE:

ENLARGED LETTERING



COMPANY: **CREST AUDIO**

TITLE: **MONO CONNECTOR - PCB**

REV-04

CODE:	SHEET:	DRAWING NO:	REV:
		FILE: MON_CONN	

SCALE: SHEET: 1 of 1

DRAWN: JRP/TAZ	DATED: 7/94
CHECKED:	DATED:
QUALITY CONTROL:	DATED:
RELEASED:	DATED:

Schematic #12



6

5

4

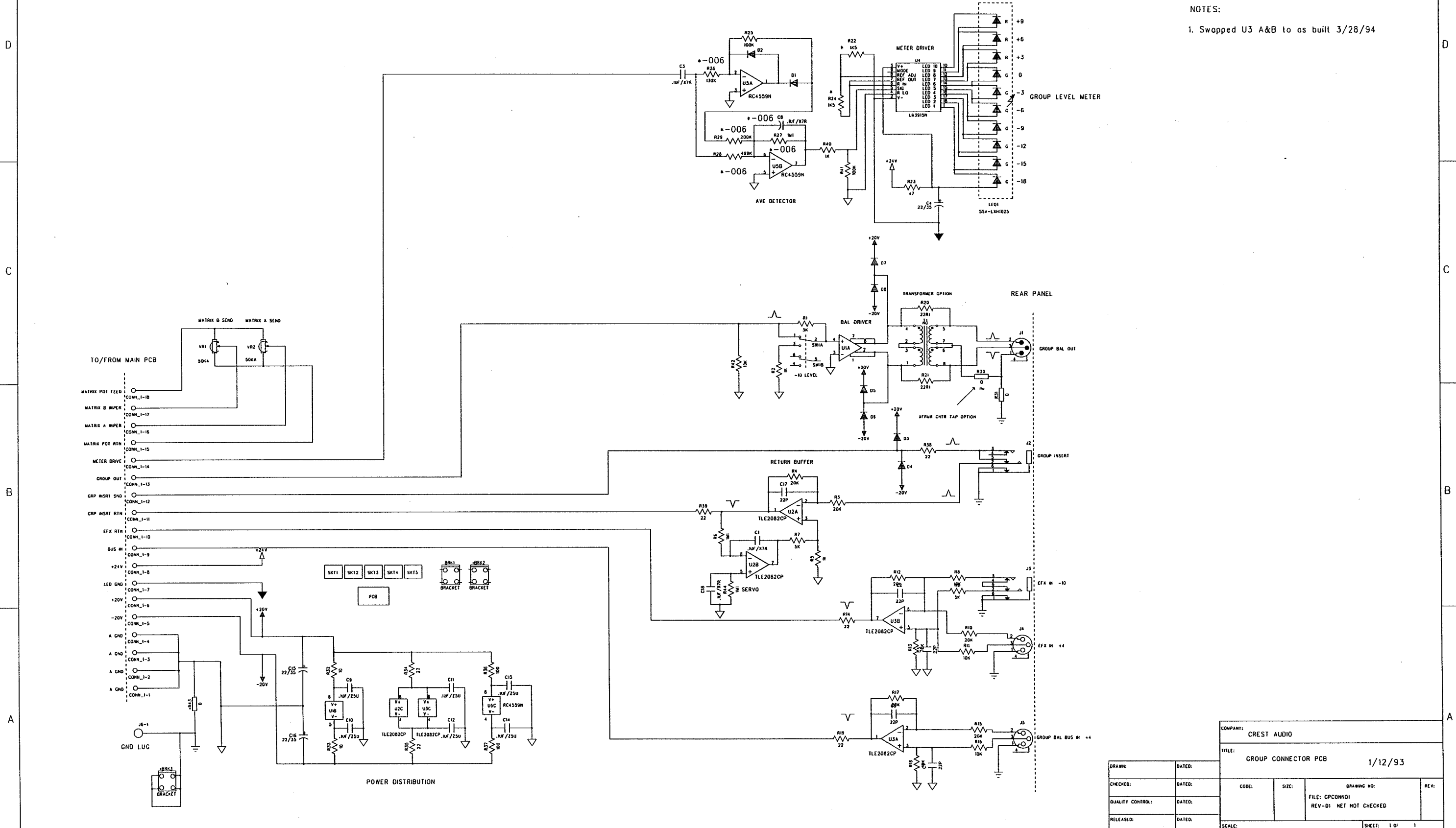
3

2

1

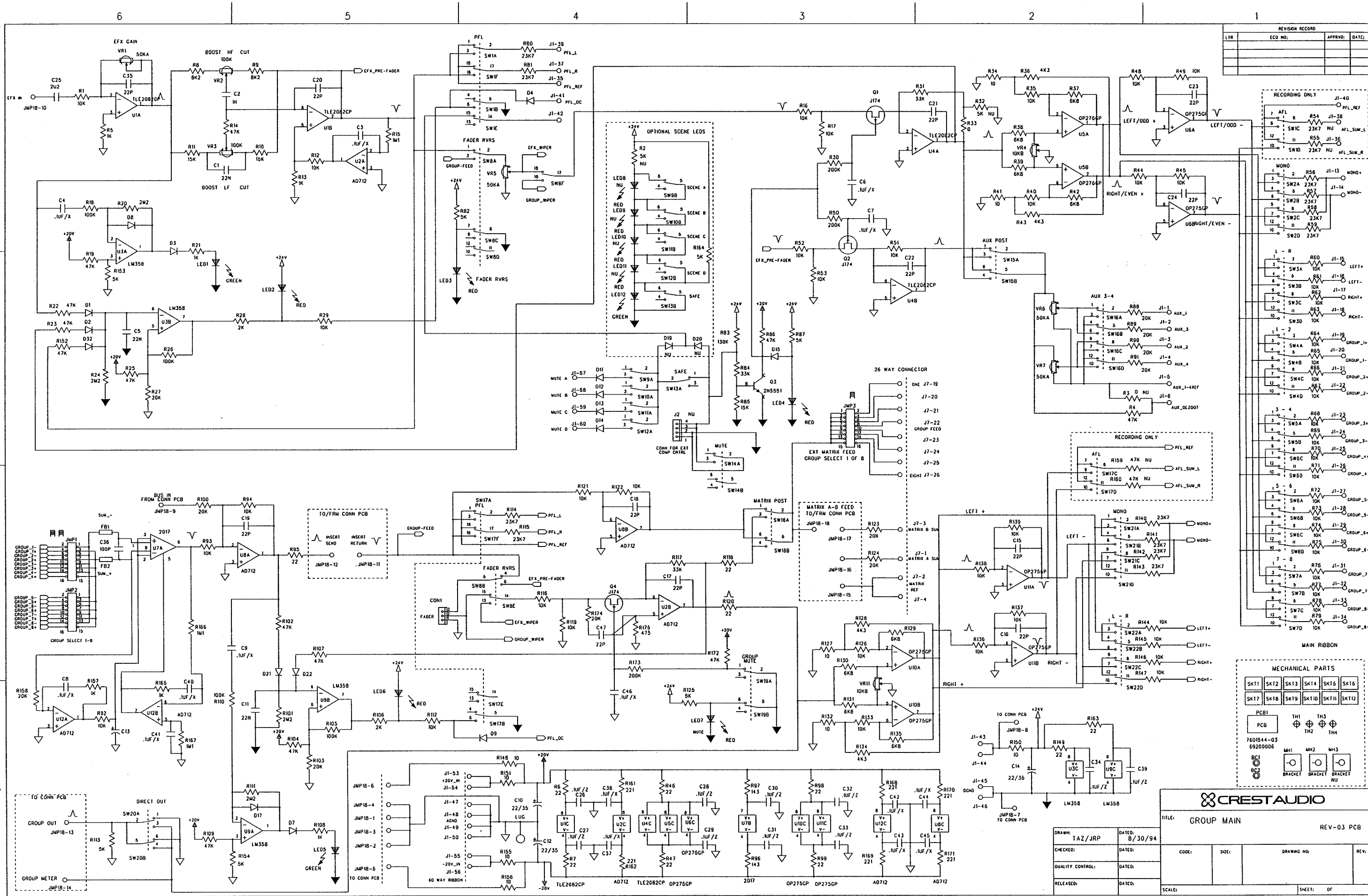
REVISION RECORD			
LTR	ECCO NO:	APPROVED:	DATE:
*-006			6/9/93
	*2/6/94GH		

NOTES:  
 1. Swapped U3 A&B to as built 3/28/94

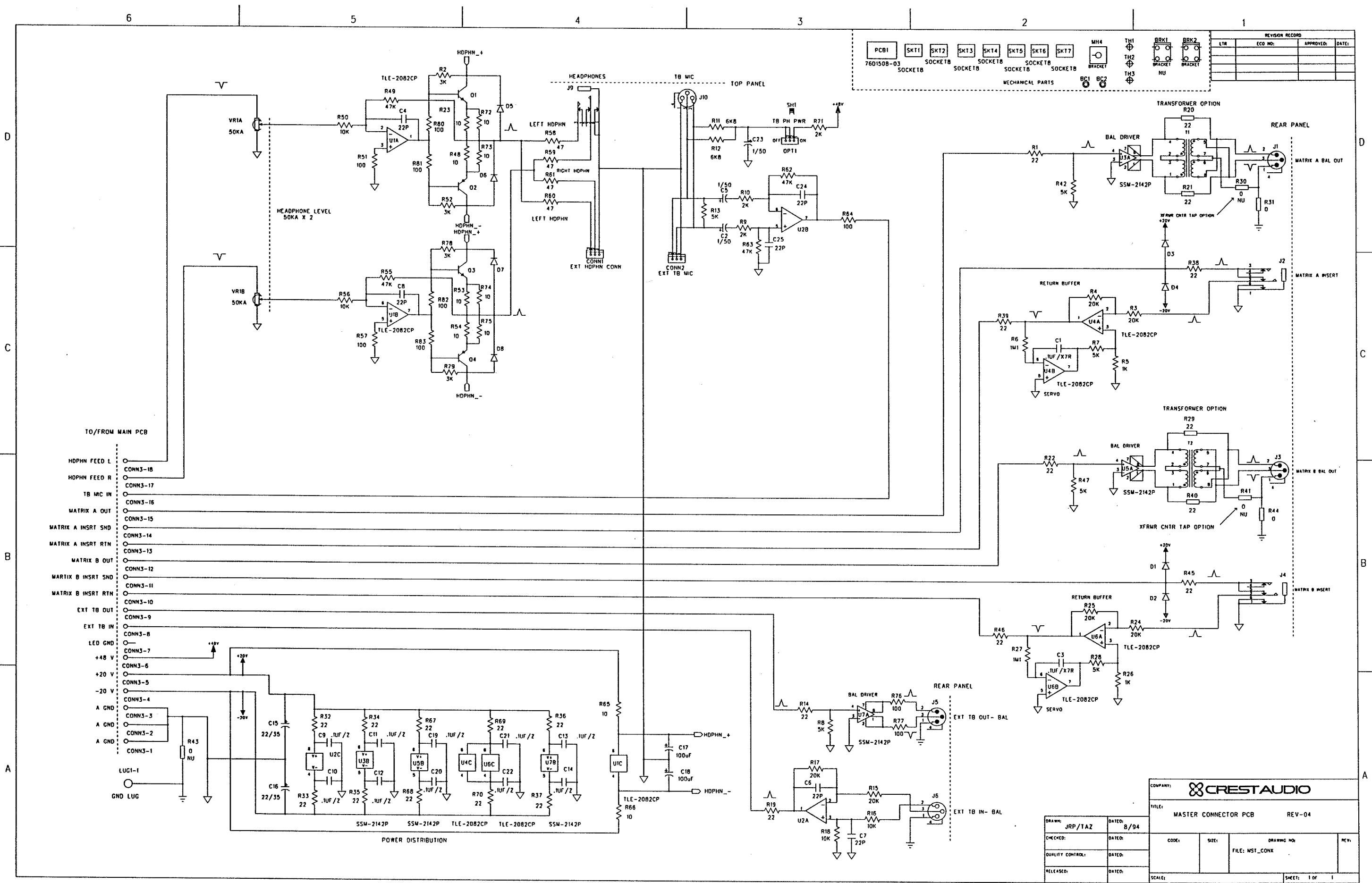


COMPANY:	CREST AUDIO		
TITLE:	GROUP CONNECTOR PCB 1/12/93		
DRAWN:	DATE:	CODE:	SIZE:
CHECKED:	DATE:	DRAWING NO:	REV:
QUALITY CONTRL:	DATE:	FILE: GPCONN01	REV-D1 NET NOT CHECKED
RELEASED:	DATE:	SCALE:	SHEET: 1 OF 1

Schematic #8



Schematic #9



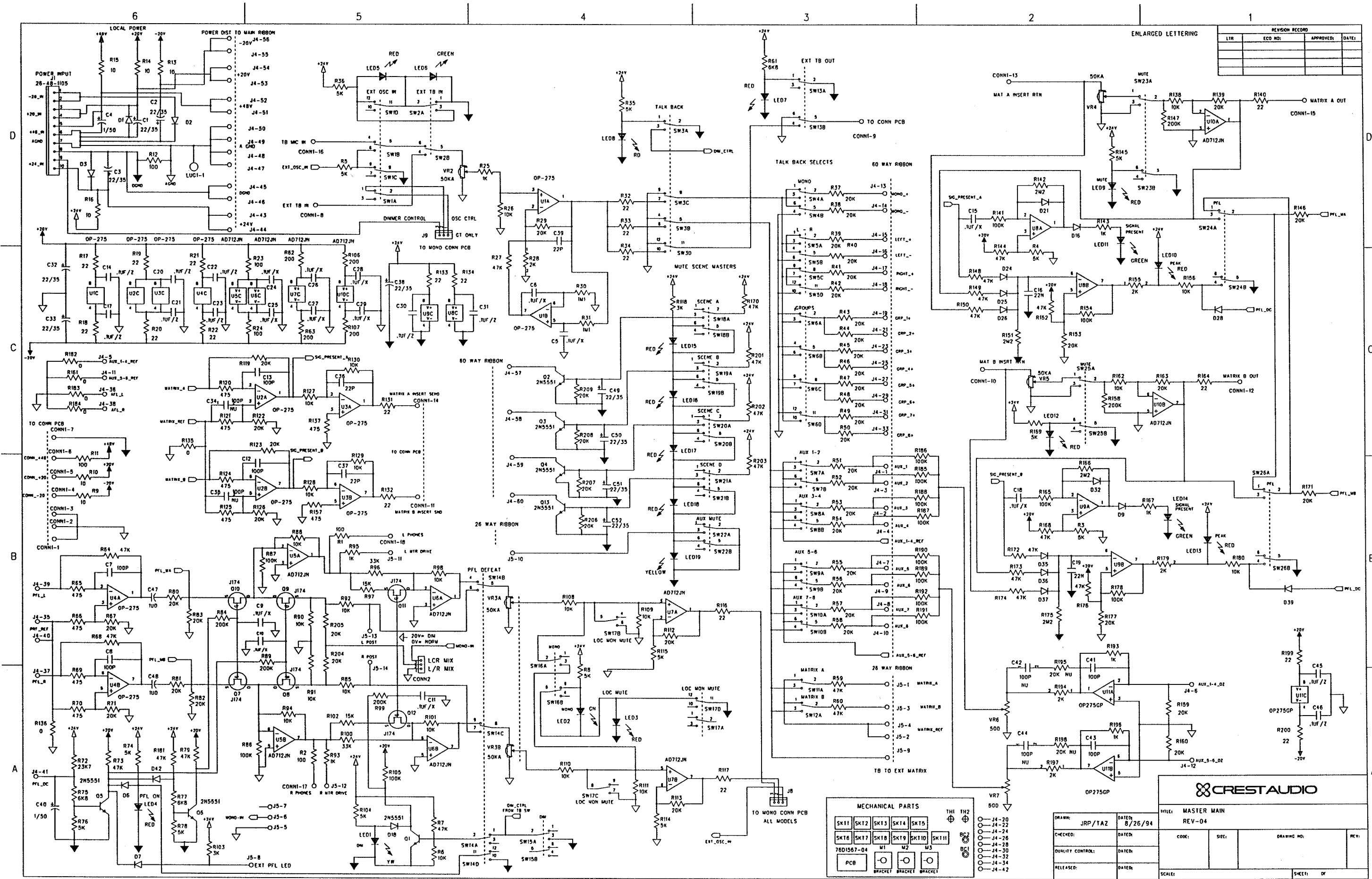
Schematic #14

COMPANY: **CRESTAUDIO**

TITLE: MASTER CONNECTOR PCB REV-04

DRAWN: JRP/TAZ	DATED: 8/94	CODE:	SIZE:	DRAWING NO:	REV:
CHECKED:	DATED:	FILE: MST_CONX			
QUALITY CONTROL:	DATED:				
RELEASED:	DATED:				

SCALE: SHEET: 1 of 1



REVISION RECORD			
LTN	ECO NO.	APPROVED:	DATE:

MECHANICAL PARTS										
SK11	SK12	SK13	SK14	SK15						
SK16	SK17	SK18	SK19	SK110	SK111					
76D1567-04	M1	M2	M3							
PCB	BRACKET	BRACKET	BRACKET							

DRAWN: JRP/TAZ	DATE: 8/26/94	TITLE: MASTER MAIN	REV: 04
CHECKED:	DATE:	CODE:	
QUALITY CONTROL:	DATE:	SCALE:	
RELEASED:	DATE:		

Schematic #15



6

5

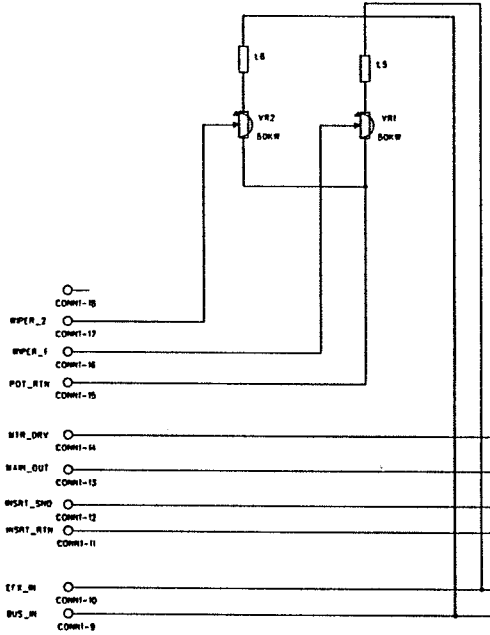
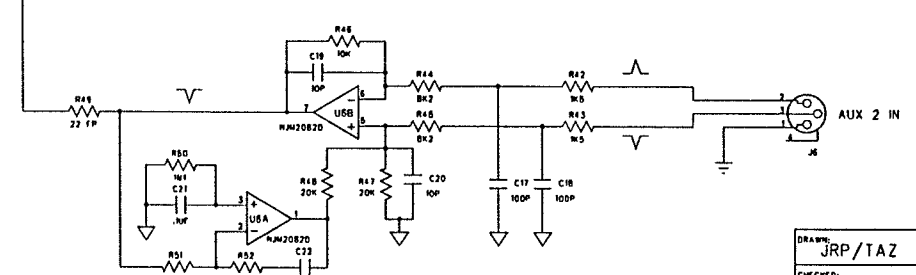
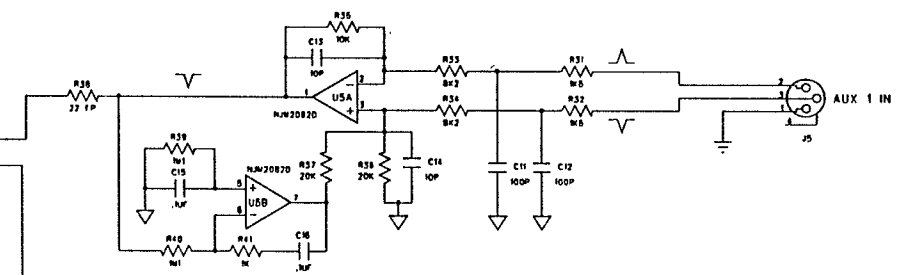
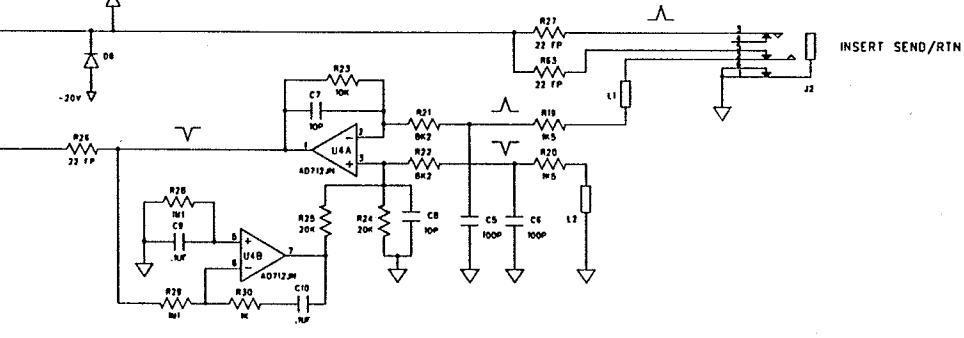
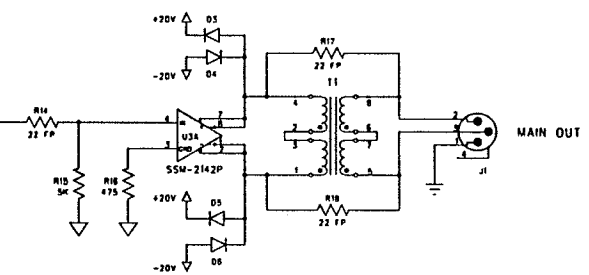
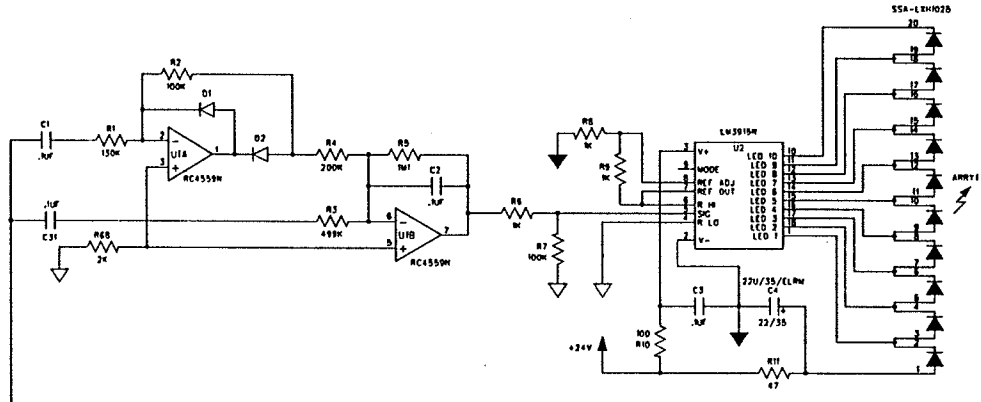
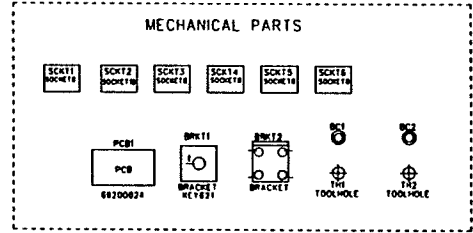
4

3

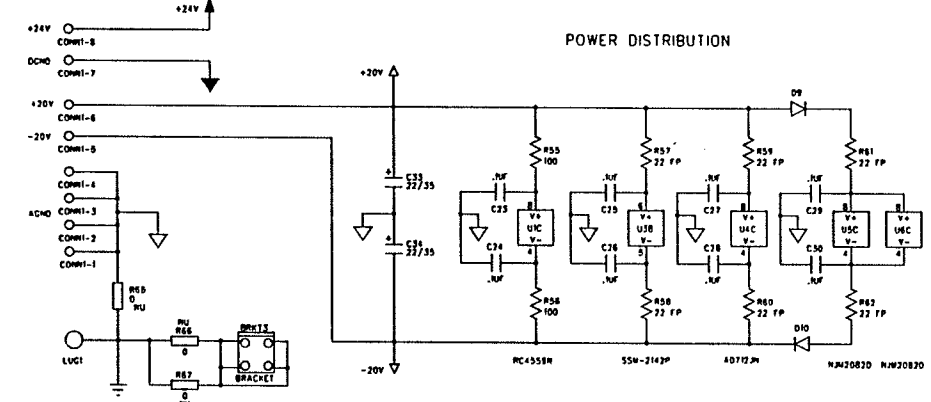
2

1

REVISION RECORD			
LT#	ECO NO:	APPROVED:	DATE:



TO/FROM MAIN PCB

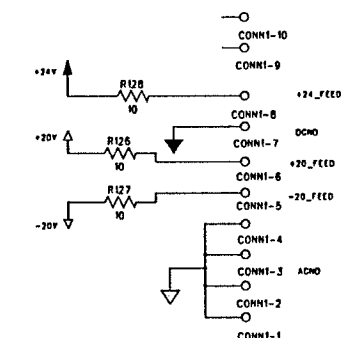
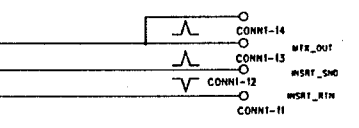
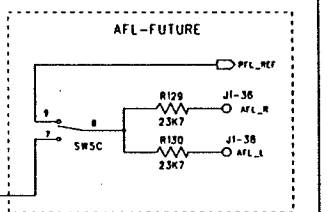
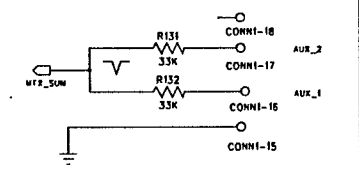
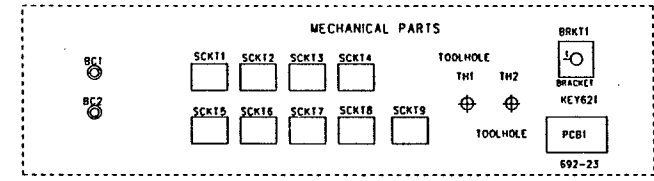


COMPANY: <b>CREST AUDIO</b>	
TITLE: <b>GT/GTX MATRIX CONNECTOR PCB</b>	
DRAWN: <b>JRP/TAZ</b>	DATED: <b>6/95</b>
CHECKED:	DATED:
QUALITY CONTROL:	DATED:
RELEASED:	DATED:
CODE:	SHEET: <b>1</b> OF <b>1</b>
DRAWING NO: <b>76D1922-02</b>	
REVISION: <b>1</b>	

Schematic #16

REVISION RECORD			
LT#	ECO NO#	APPROVED:	DATE:
01	R82 REWIRE	JRP	6/8/94

ENLARGED LETTERING



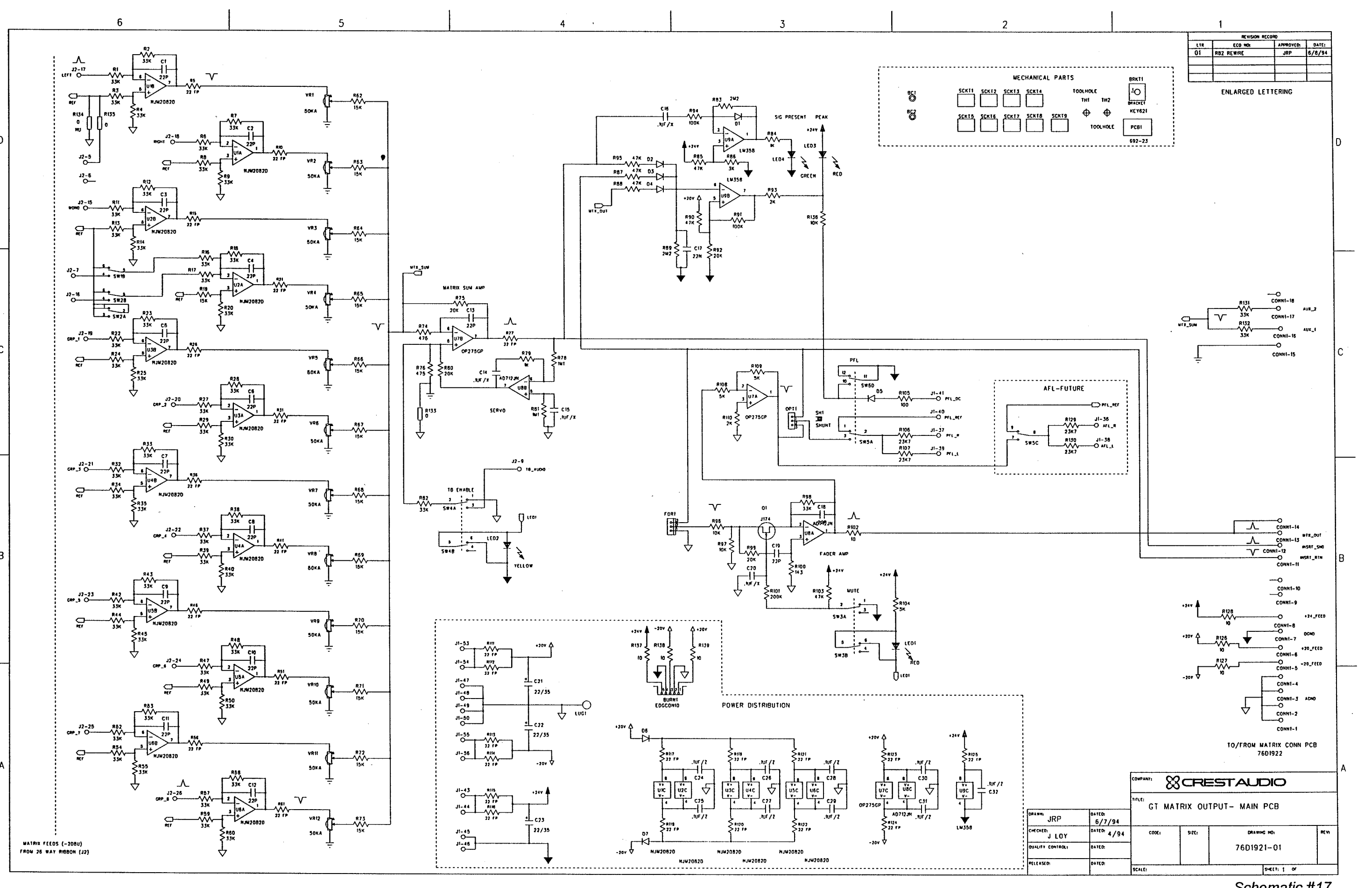
TO/FROM MATRIX CONN PCB  
7601922

COMPANY: **CRESTAUDIO**

TITLE: **GT MATRIX OUTPUT- MAIN PCB**

DRAWN: JRP	DATED: 6/7/94
CHECKED: J LOY	DATED: 4/94
QUALITY CONTROL:	DATED:
RELEASED:	DATED:

CODE:	SIZE:	DRAWING NO:	REV:
		7601921-01	
SCALE:	SHEET: 1 OF		



MATRIX FEEDS (-200u)  
FROM 26 WAY RIBBON (J2)

Schematic #17



# CENTURY SP/TC/GT/GTx RIBBON PIN OUTS

## 60 WAY MIX BUS RIBBON

Pin #	Signal	Notes	Pin #	Signal	Notes
1	Aux Sum 1		2	Aux Sum 3	
3	Aux Sum 2		4	Aux Sum 4	
5	Aux 1-4 Ref		6	Aux 1-4 Dezoot	
7	Aux Sum 5		8	Aux Sum 7	
9	Aux Sum 6		10	Aux Sum 8	
11	Aux 5-8 Ref		12	Aux 5-8 Dezoot	
13	Mono Sum +		14	Mono Sum -	
15	Left Sum +		16	Left Sum -	
17	Right Sum +		18	Right Sum -	
19	Group 1 Sum +		20	Group 1 Sum -	
21	Group 2 Sum +		22	Group 2 Sum -	
23	Group 3 Sum +		24	Group 3 Sum -	
25	Group 4 Sum +		26	Group 4 Sum -	
27	Group 5 Sum +		28	Group 5 Sum -	
29	Group 6 Sum +		30	Group 6 Sum -	
31	Group 7 Sum +		32	Group 7 Sum -	
33	Group 8 Sum +		34	Group 8 Sum -	
35	PFL Ref		36	AFL Sum R	
37	PFL Sum R		38	AFL Sum L	
39	PFL Sum L		40	PFL Ref	
41	PFL DC		42	SOLO Control	
43	LED +24V		44	LED +24V	
45	LED GND		46	LED GND	
47	AGND		48	AGND	
49	AGND		50	AGND	
51	+48V		52	+48V	
53	+20V		54	+20V	
55	-20V		56	-20V	
57	Mute Scene A		58	Mute Scene B	
59	Mute Scene C		60	Mute Scene D	

## 26 Way Matrix Ribbon

Pin #	Signal	Notes	Pin #	Signal	Notes
1	Matrix A Sum		2	Matrix Ref	
3	Matrix B Sum		4	Matrix Ref	
5	AGND		6	Post Mono Feed	
7	Program Left (EXT)		8	PFL LED	
9	TB Audio		10	Aux Mute Scene	
11	Left Meter Drive		12	Right Meter Drive	
13	Left Post Fader		14	Right Post Fader	
15	Mono Out (EXT)		16	Program Right (EXT)	
17	Left out (EXT)		18	Right Out (EXT)	
19	Group 1 Out (EXT)		20	Group 2 Out (EXT)	
21	Group 3 Out (EXT)		22	Group 4 Out (EXT)	
23	Group 5 Out (EXT)		24	Group 6 Out (EXT)	
25	Group 7 Out (EXT)		26	Group 8 Out (EXT)	

EXT = Feed To External Matrix



# CENTURY POWER SUPPLY SCHEMATICS

4 Amp Power Supply Model XCPS-40 / XCVVA-40  
6 Amp Power Supply Model XCPS-60 / XCVVA-60

## **DESCRIPTION**

## **SCHEMATIC #**

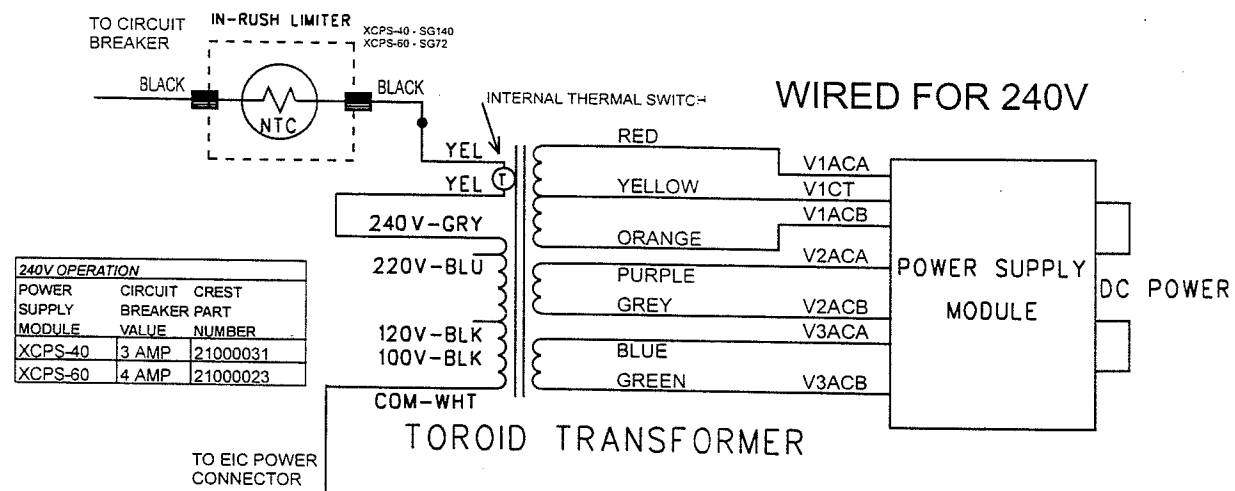
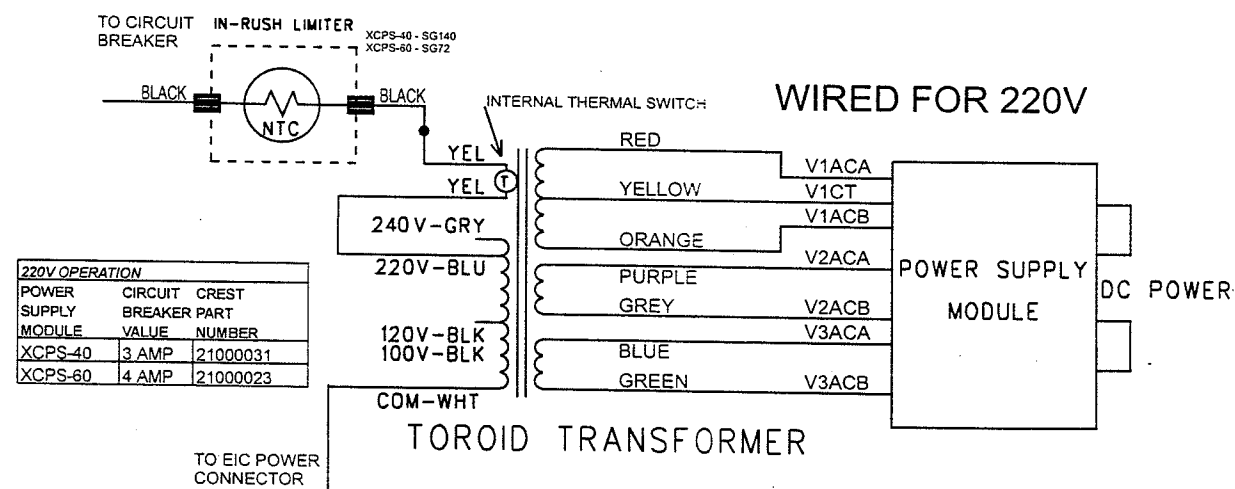
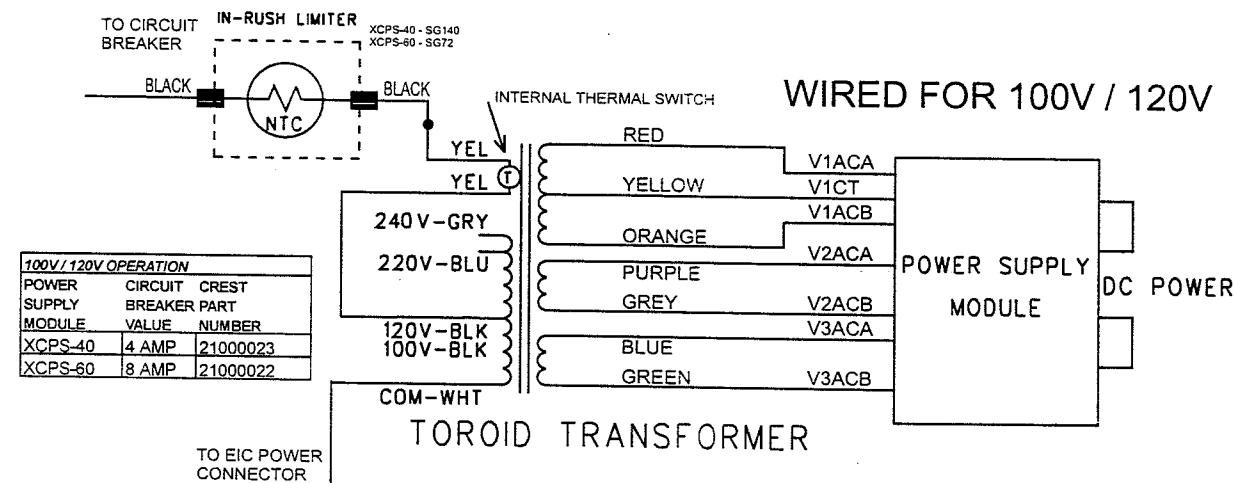
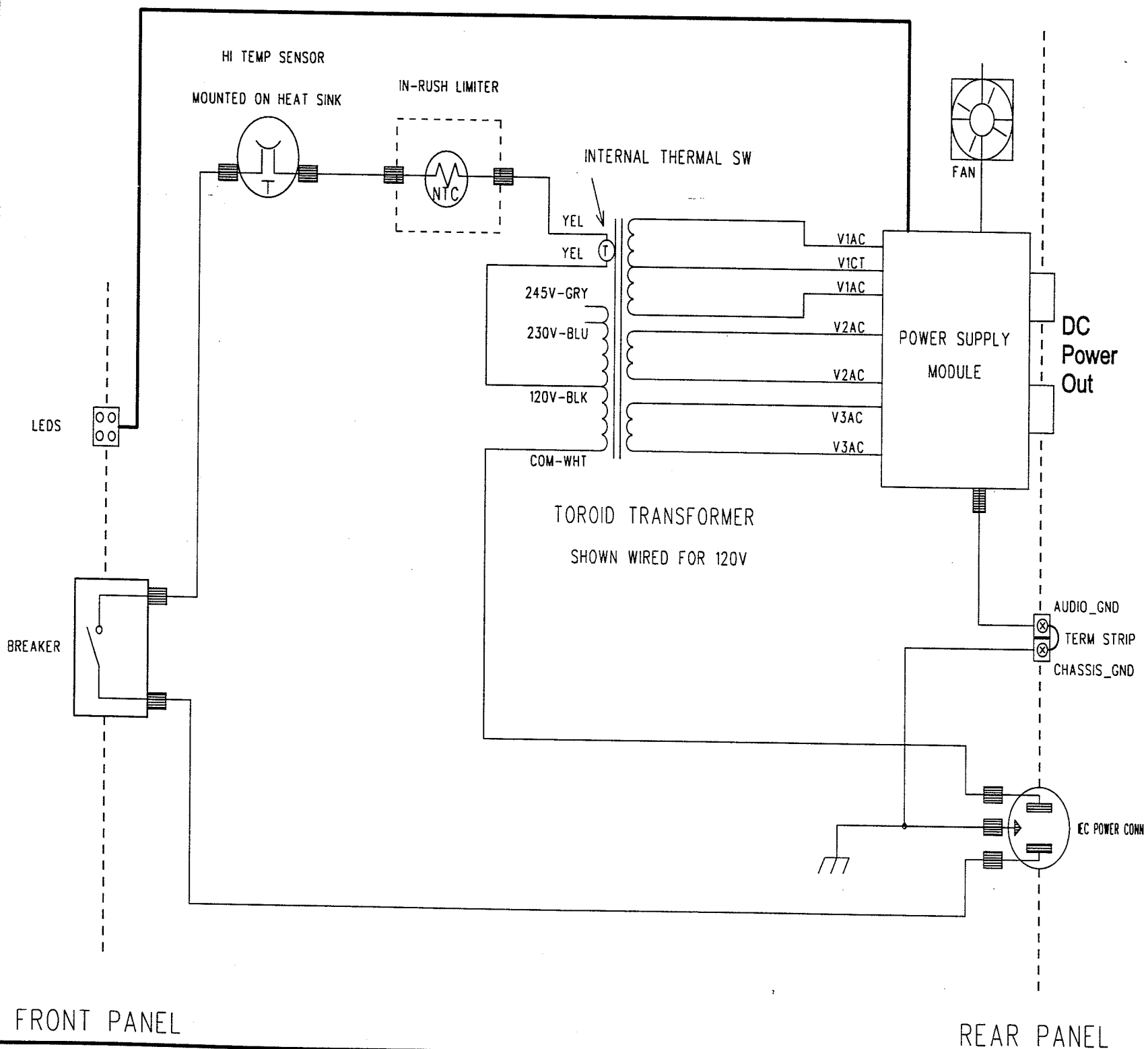
BLOCK DIAGRAM AND TRANSFORMER WIRING OPTIONS  
FRONT OF MODULE, LED DISPLAY, BRIDGE RECTIFIERS  
REAR POWER MODULE PCB

1  
2  
3

# CENTURY POWER SUPPLY

Block diagram

Transformer wiring options for 100V/120V, 22V & 240V

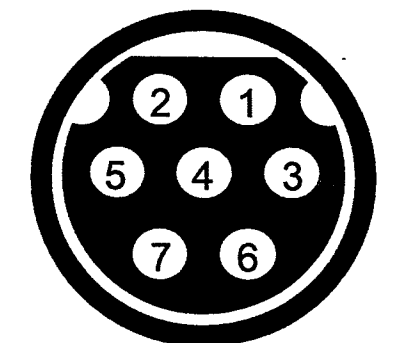
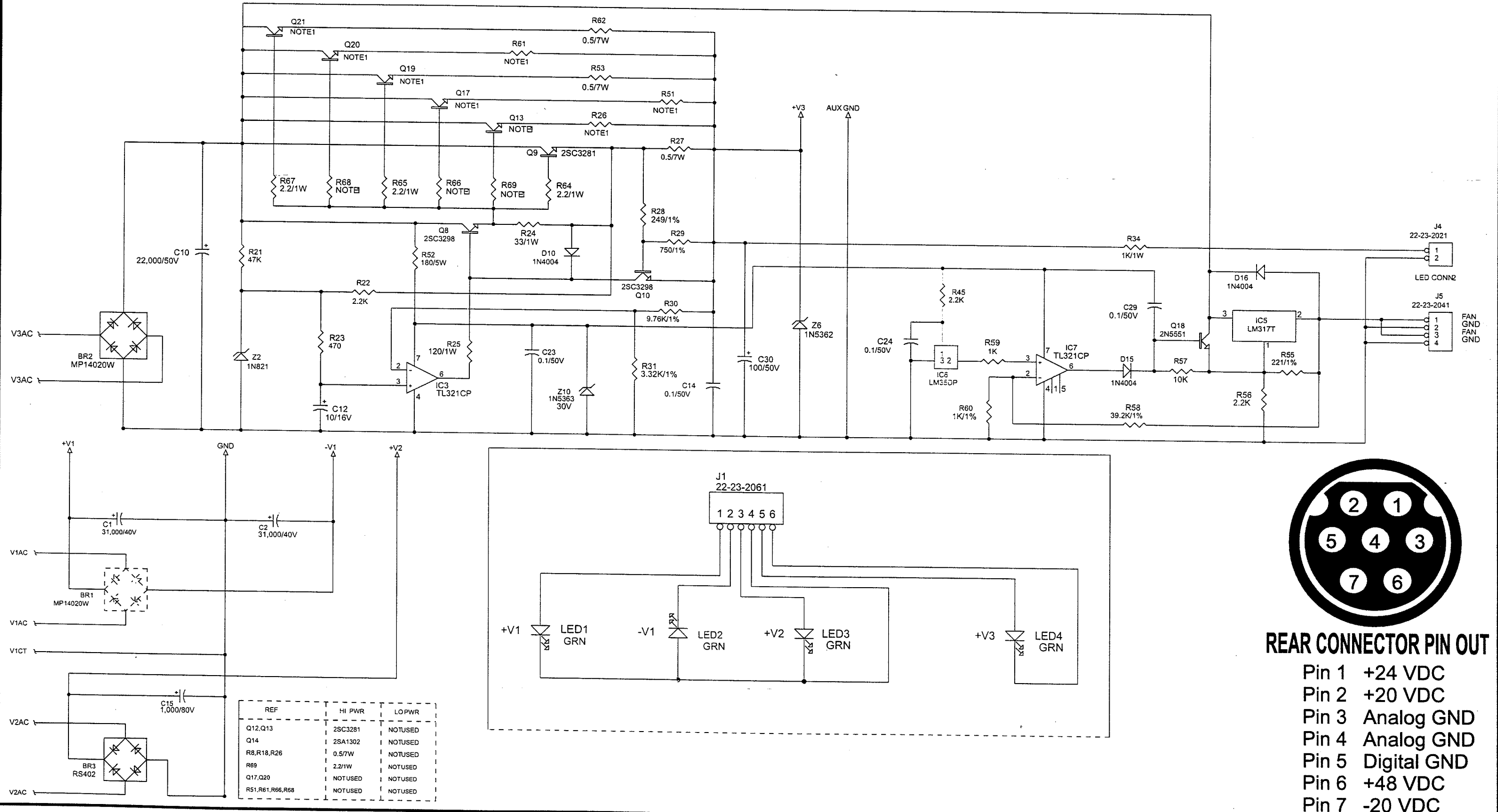


FRONT PANEL

REAR PANEL

# CENTURY POWER SUPPLY

Front of module, LED display, bridge rectifiers

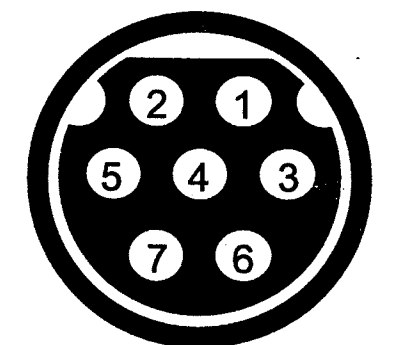
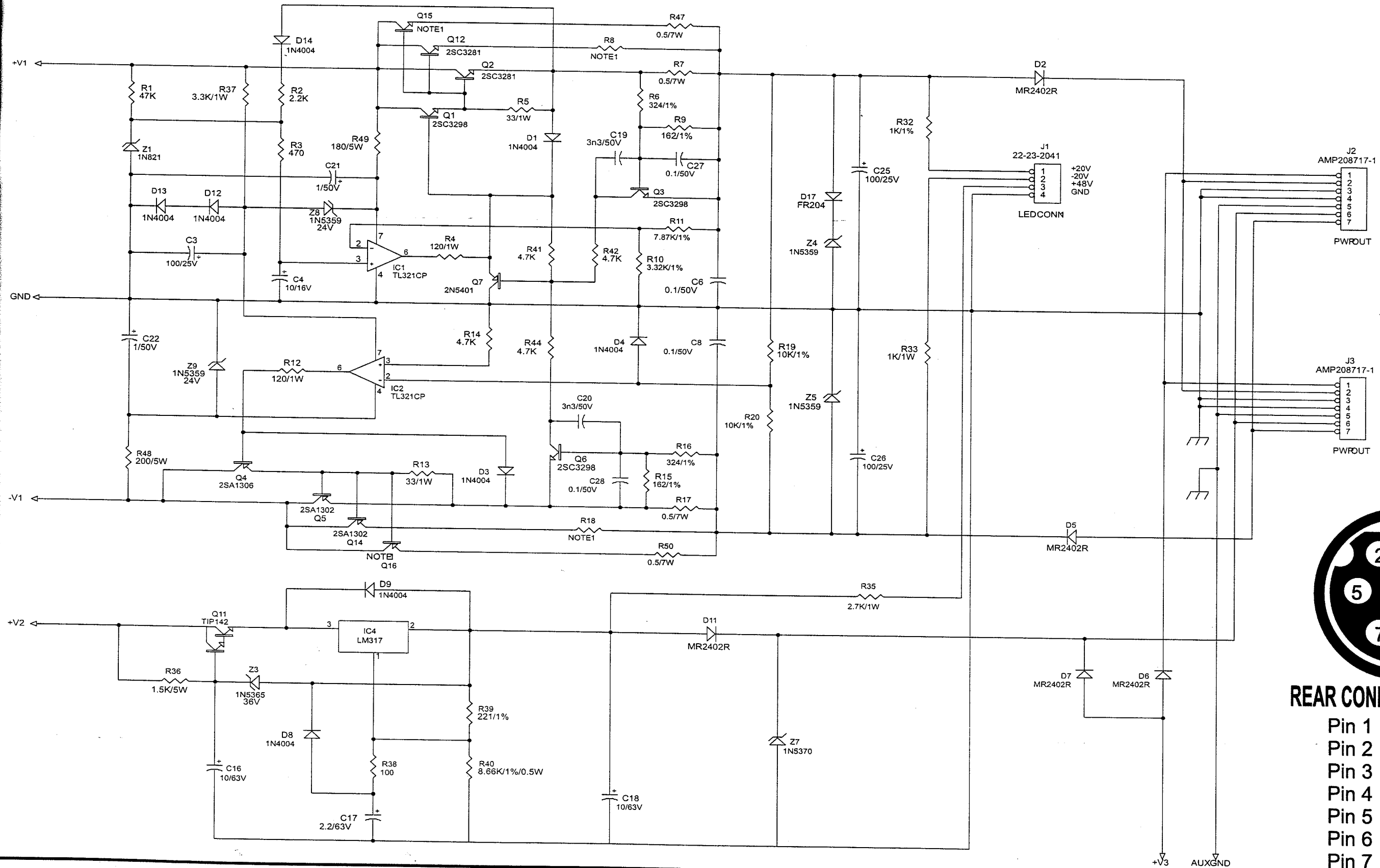


## REAR CONNECTOR PIN OUT

- Pin 1 +24 VDC
- Pin 2 +20 VDC
- Pin 3 Analog GND
- Pin 4 Analog GND
- Pin 5 Digital GND
- Pin 6 +48 VDC
- Pin 7 -20 VDC

# CENTURY POWER SUPPLY

## Rear power module PCB



### REAR CONNECTOR PIN OUT

- Pin 1 +24 VDC
- Pin 2 +20 VDC
- Pin 3 Analog GND
- Pin 4 Analog GND
- Pin 5 Digital GND
- Pin 6 +48 VDC
- Pin 7 -20 VDC