



Schematic set

LT Series LT100, LT1500 & LT2000

1/25/01

1. Display and input connections
2. Linear power supply
3. Switching output section, p. 1
4. Switching output section, p. 2

6

5

4

3

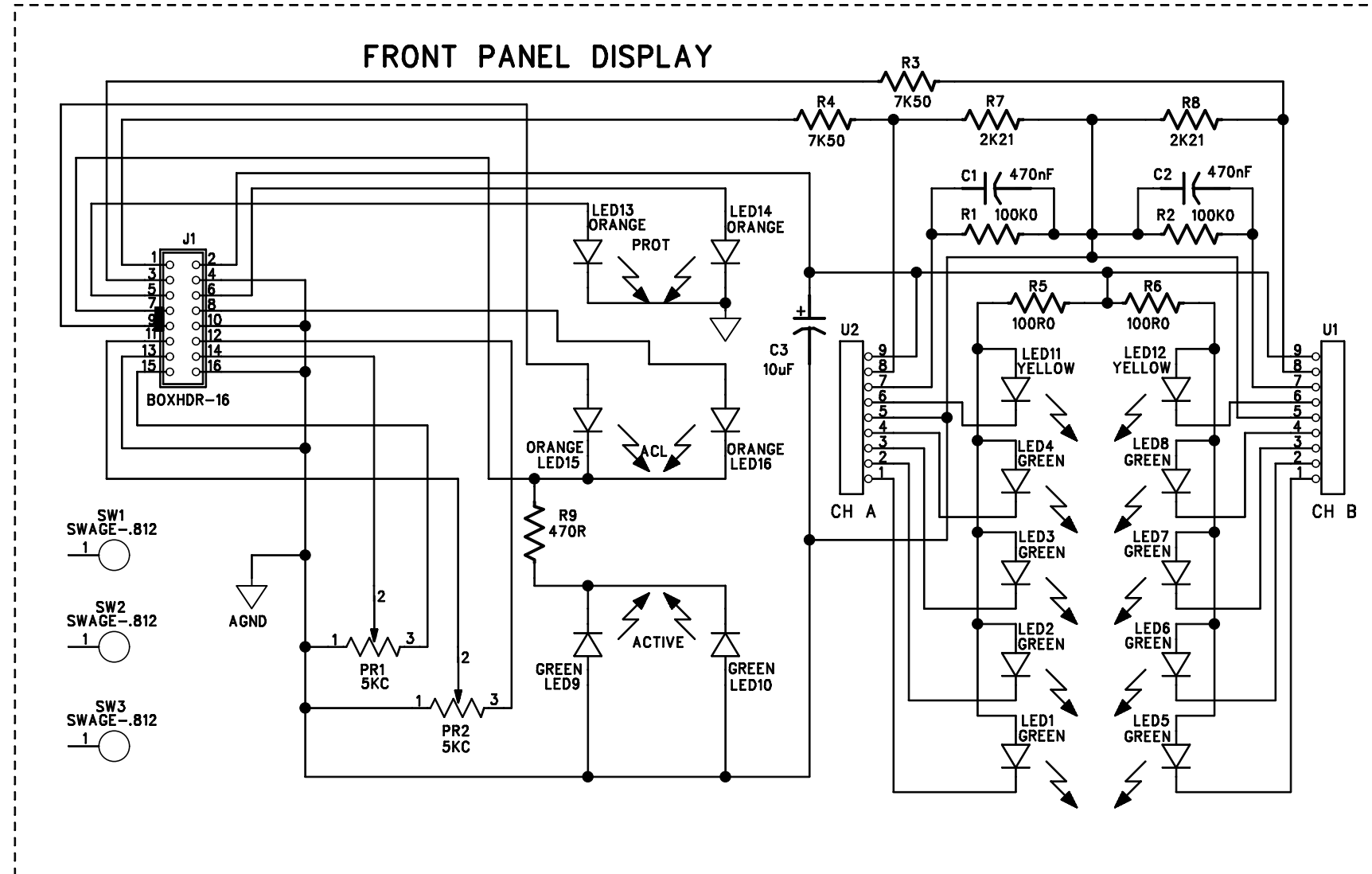
2

1

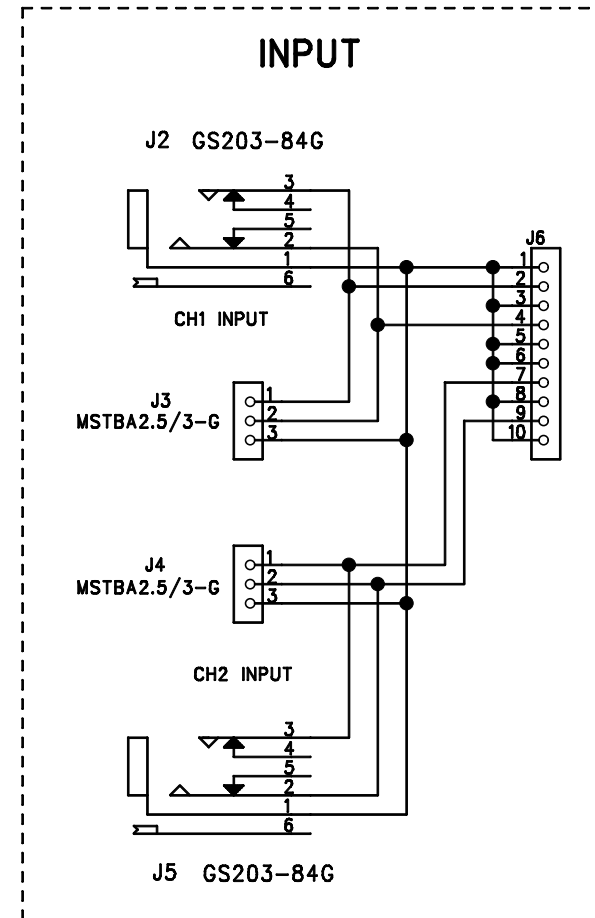
REVISION RECORD			
LTR	ECO NO:	APPROVED:	DATE:

DC01776 6-19-00 CHANGED PCB REV TO B

FRONT PANEL DISPLAY



INPUT



PCB1
69000474
26B4777-B

- | | | | |
|------------------|-------------------|-------------------|-------------------|
| LS1
LEDSP/.63 | LS6
LEDSP/.63 | LS11
LEDSP/.63 | LS16
LEDSP/.63 |
| LS2
LEDSP/.63 | LS7
LEDSP/.63 | LS12
LEDSP/.63 | |
| LS3
LEDSP/.63 | LS8
LEDSP/.63 | LS13
LEDSP/.63 | |
| LS4
LEDSP/.63 | LS9
LEDSP/.63 | LS14
LEDSP/.63 | |
| LS5
LEDSP/.63 | LS10
LEDSP/.63 | LS15
LEDSP/.63 | |
| | | | TH1
TOOLHOLE |
| | | | TH2
TOOLHOLE |

COMPANY:			
TITLE: LT/ST DISPLAY AND AUX INPUT			
CODE:	SIZE:	DRAWING NO: 21B4777	REV: A
SCALE:		SHEET: OF	

DRAWN: BE	DATED: 4/12/00
CHECKED:	DATED:
QUALITY CONTROL:	DATED:
RELEASED:	DATED:

6

5

4

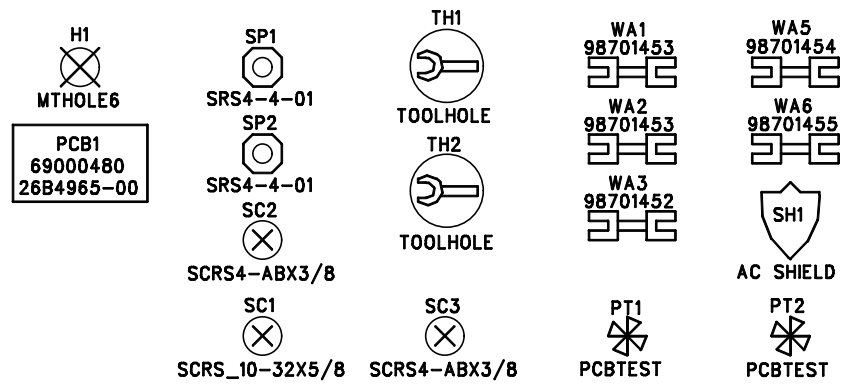
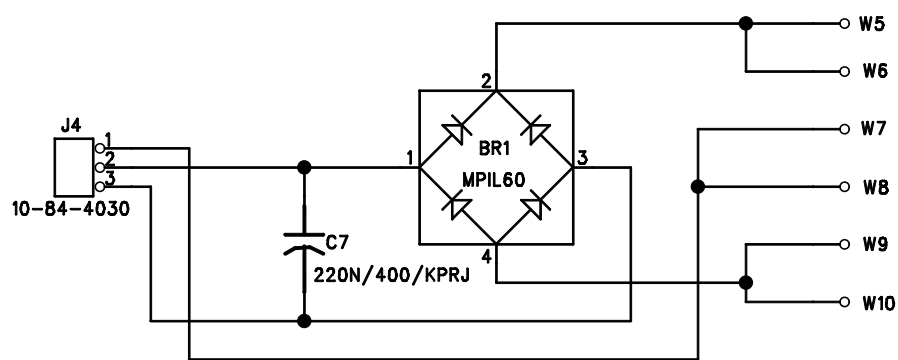
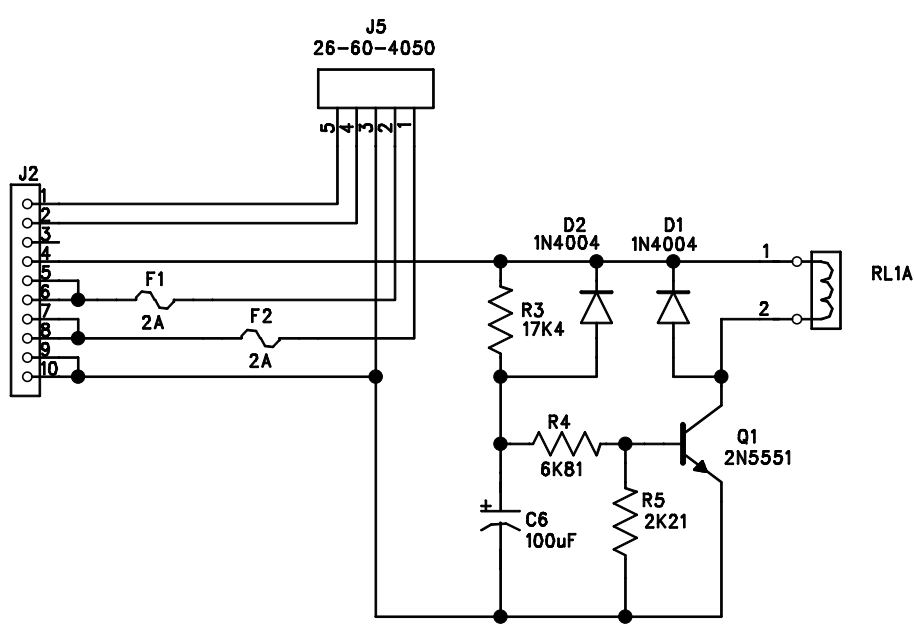
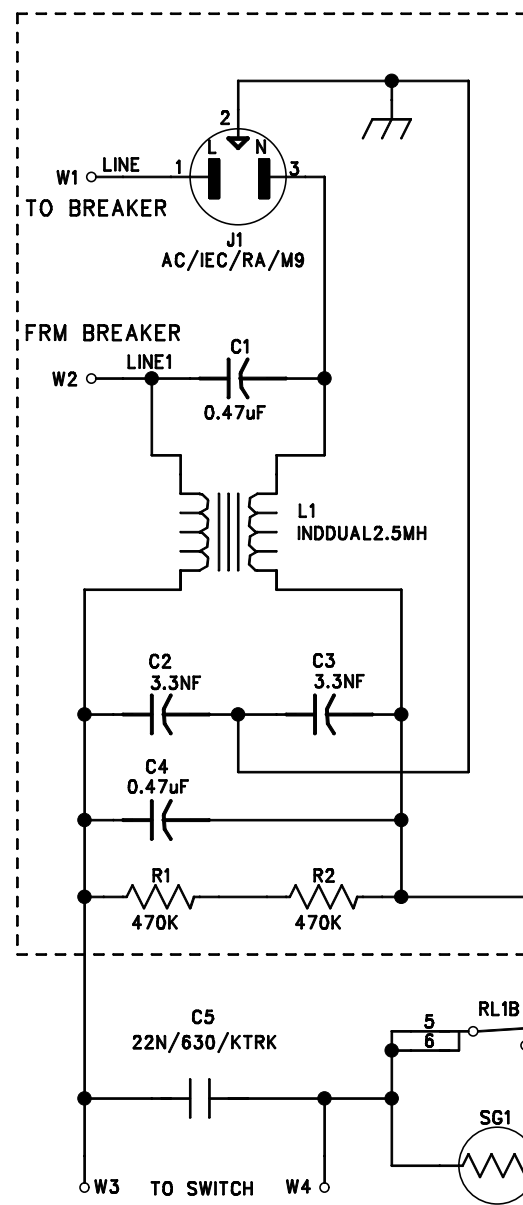
3

2

1

REVISION RECORD			
LTR	ECO NO:	APPROVED:	DATE:

DC01176 PCB to Rev B Deleted R6 0 ohm resistor



This schematic was formerly 4776-01

COMPANY: CREST AUDIO			
TITLE: LT LINEAR POWER SUPPLY			
DRAWN: BE	DATED: 12/04/00	CODE:	REV: 00
CHECKED:	DATED:	SIZE:	DRAWING NO: 21B4965
QUALITY CONTROL:	DATED:	SHEET: 1 OF 1	
RELEASED:	DATED:	SCALE:	

D
C
B
A

D
C
B
A

6

5

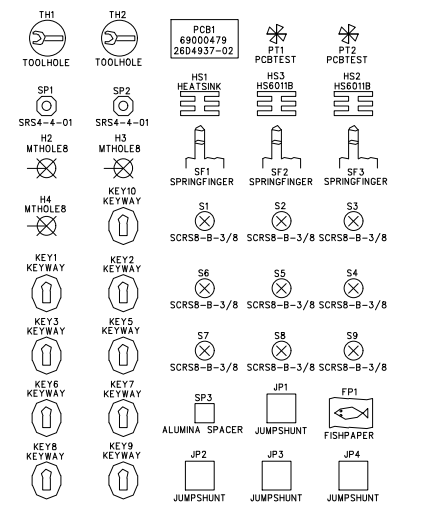
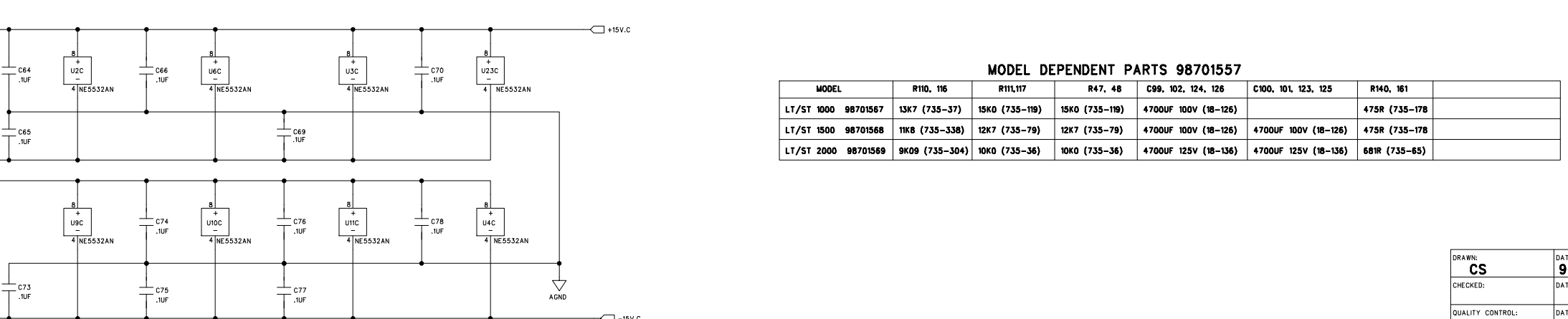
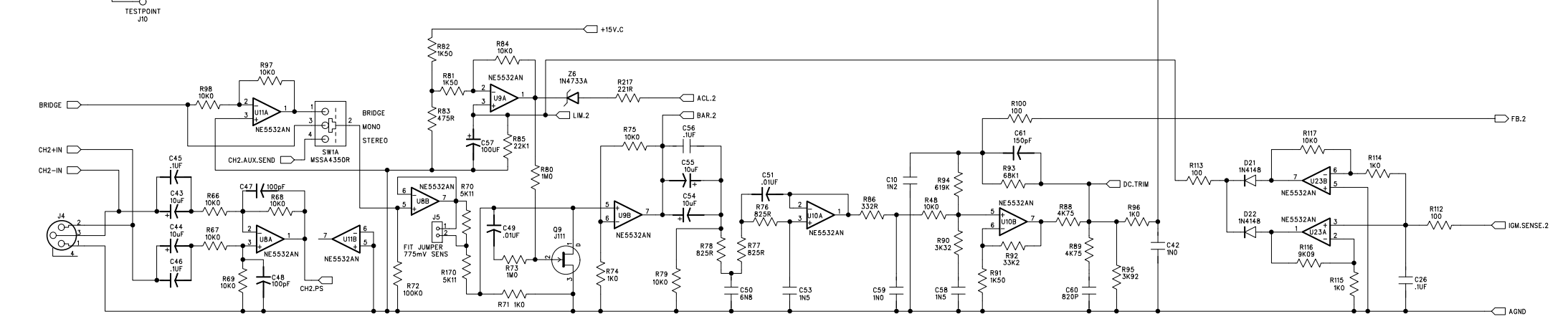
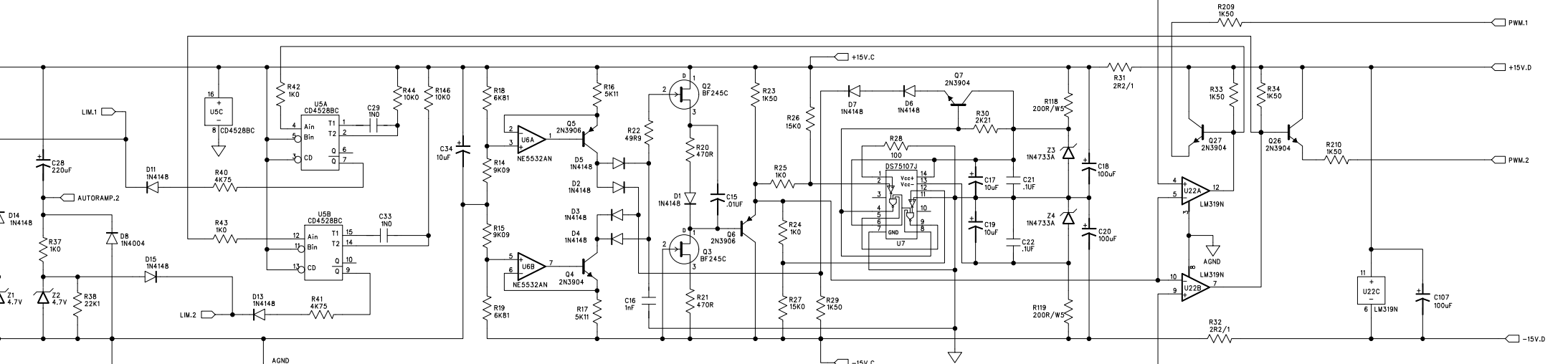
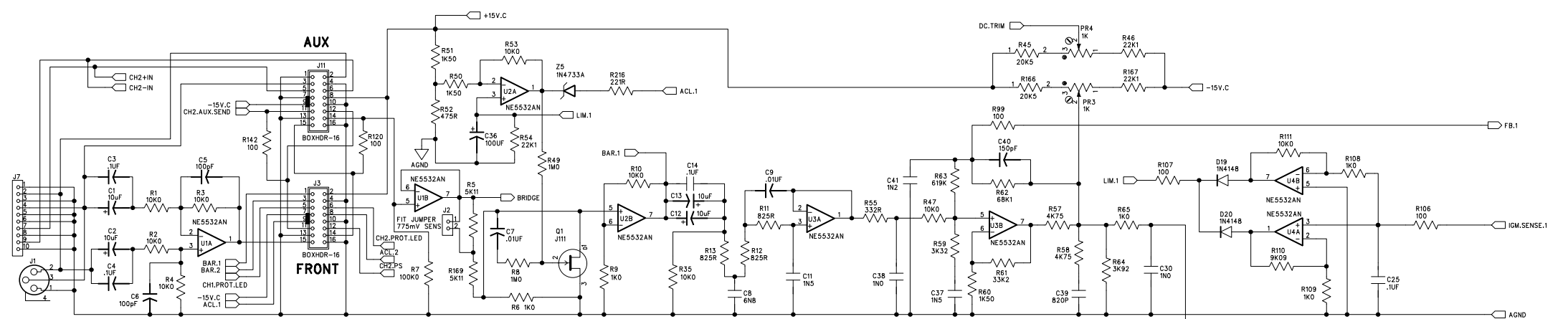
4

3

2

1

REVISION RECORD			
LTR	ECO NO:	APPROVED:	DATE:



MODEL DEPENDENT PARTS 98701557

MODEL	R110, 116	R111,117	R47, 48	C89, 102, 124, 126	C100, 101, 123, 125	R140, 161
LT/ST 1000 98701567	13K7 (735-37)	15K0 (735-119)	15K0 (735-119)	4700UF 100V (18-126)		475R (735-178)
LT/ST 1500 98701568	11K8 (735-338)	12K7 (735-79)	12K7 (735-79)	4700UF 100V (18-126)	4700UF 100V (18-126)	475R (735-178)
LT/ST 2000 98701569	9K09 (735-304)	10K0 (735-36)	10K0 (735-36)	4700UF 125V (18-136)	4700UF 125V (18-136)	681R (735-65)

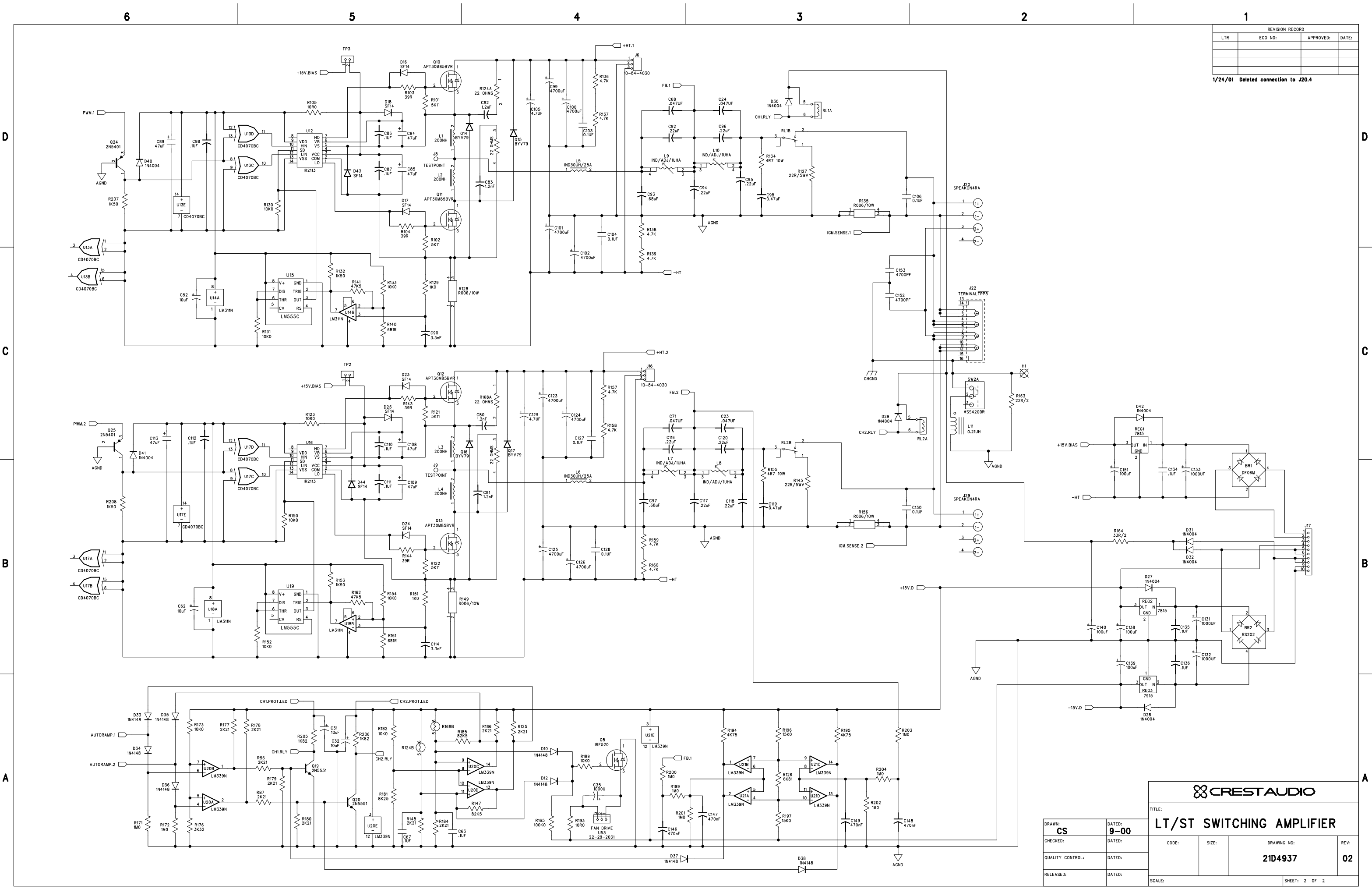


TITLE: **LT/ST SWITCHING AMPLIFIER**

DRAWN: CS	DATED: 9-00
CHECKED:	DATED:
QUALITY CONTROL:	DATED:
RELEASED:	DATED:

CODE:	SIZE:	DRAWING NO:	REV:
		21D4937	02
SCALE:	SHEET: 1 OF 2		

REVISION RECORD			
LTR	ECO NO:	APPROVED:	DATE:
1/24/01 Deleted connection to J20.4			



CRESTAUDIO

TITLE: **LT/ST SWITCHING AMPLIFIER**

DRAWN: CS	DATED: 9-00	CODE:	SIZE:	DRAWING NO: 21D4937	REV: 02
CHECKED:	DATED:				
QUALITY CONTROL:	DATED:				
RELEASED:	DATED:				

SCALE: SHEET: 2 OF 2