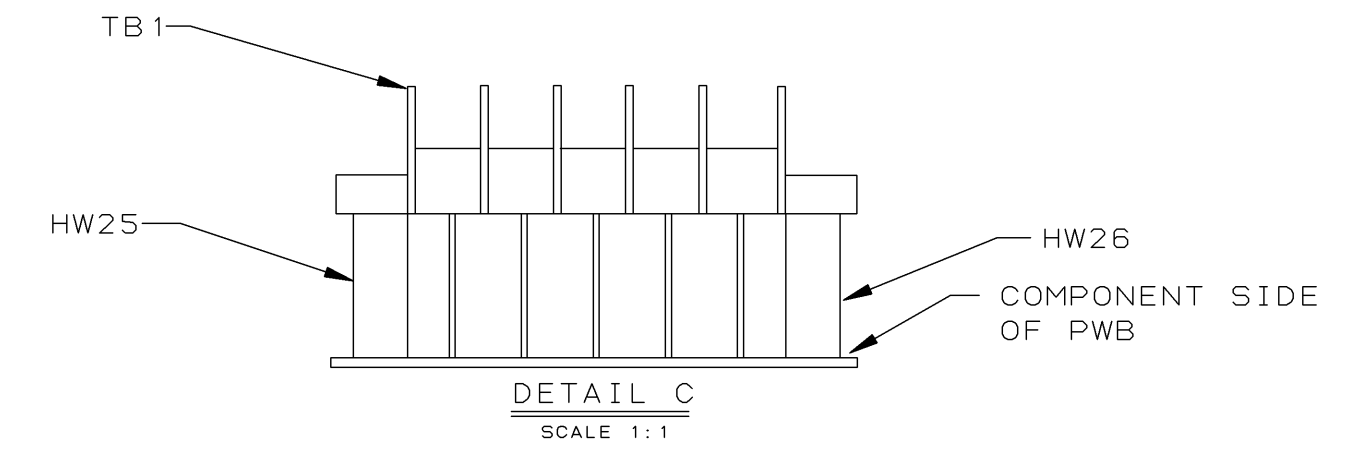
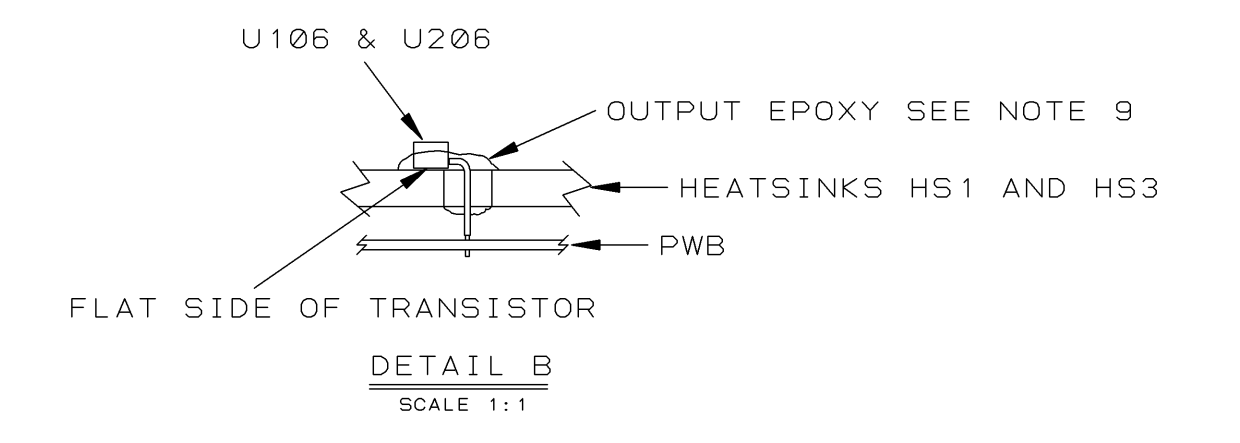
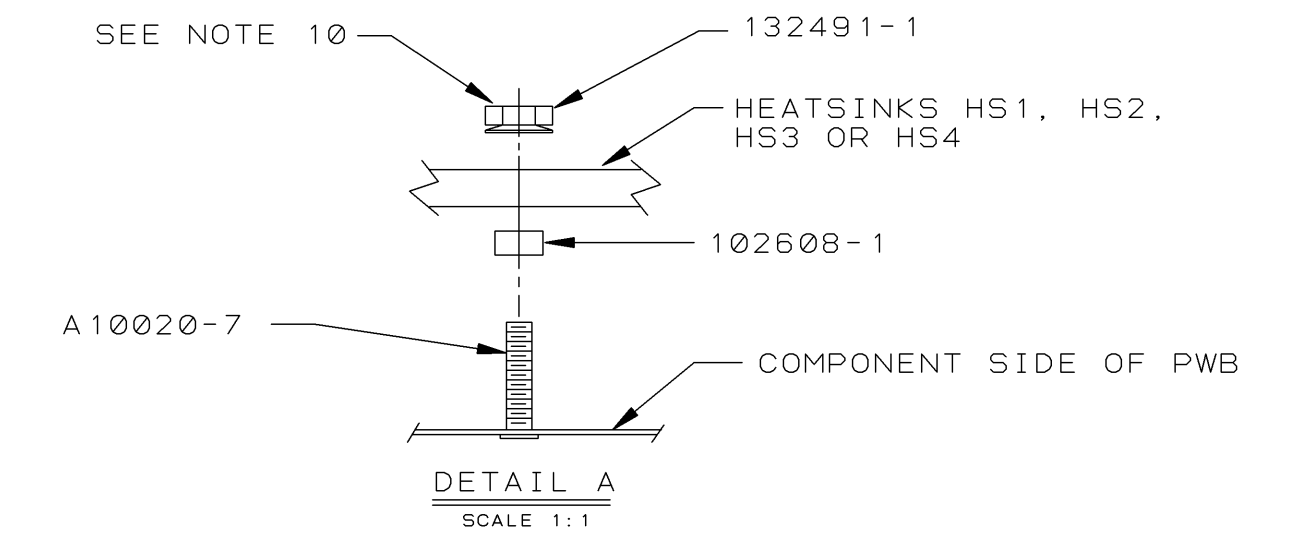
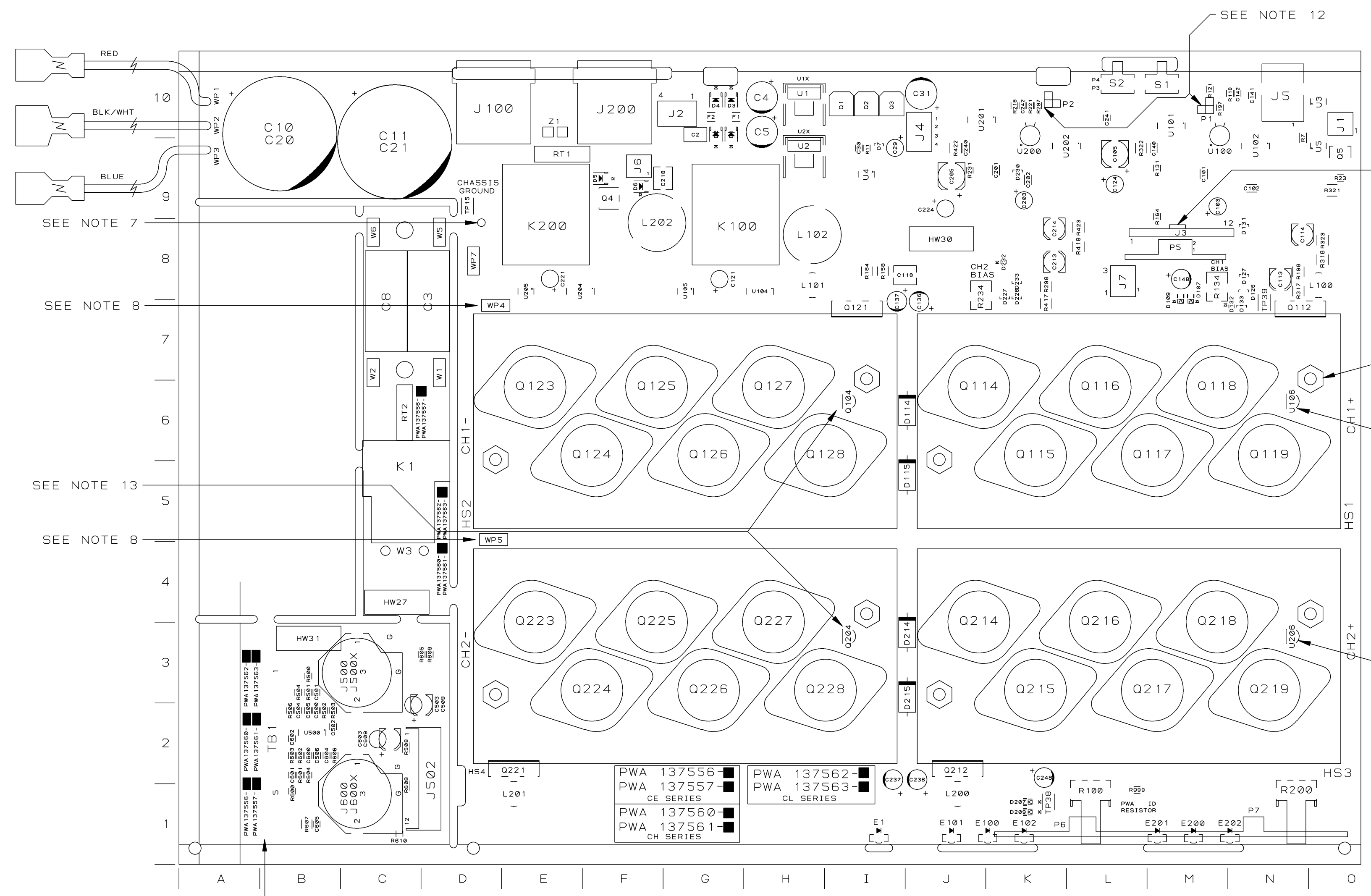


REVISION HISTORY					
E. C. N.	ZONE	REV	DESCRIPTION	DATE	APPROVED
		A	SEE 137556-3.A.XLS FOR COMPONENT DATA AND REVISION HISTORY.	01-28-05	KLW DSV BC
05N0216		B	SEE 137556-3.B.XLS FOR COMPONENT DATA AND REVISION HISTORY.	04-25-05	TLM DSV BC

COMPONENT MAP
TOP SIDE



NOTE J3 CONNECTOR LOCKING TAB ORIENTATION. SEE NOTE 11

SEE NOTE 10 AND DETAIL A FOR HEATSINK MOUNTING SEQUENCE (TYPICAL 8 PLACES)

SEE DETAIL B AND NOTE 9 FOR PROPER MOUNTING OF COMPONENT

SEE DETAIL B AND NOTE 9 FOR PROPER MOUNTING OF COMPONENT

SEE NOTE 7

SEE NOTE 8

SEE NOTE 13

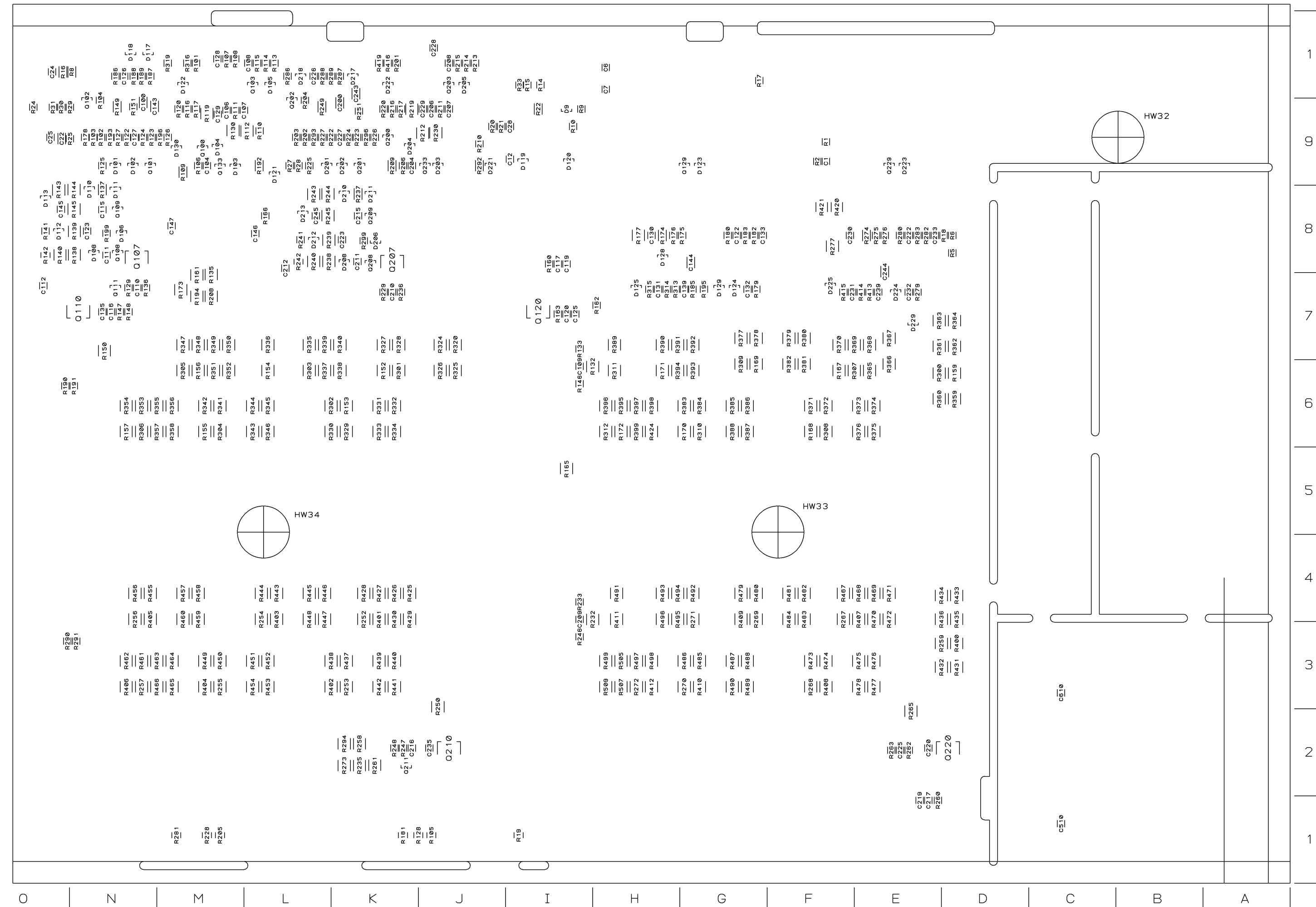
SEE NOTE 8

SEE DETAIL C

UNCONTROLLED
UNLESS OTHERWISE MARKED IN RED INK BY CM AS A CONTROLLED COPY. COPIES OF THESE DOCUMENTS INCLUDING ASSOCIATED ELECTRONIC REPRODUCTIONS ARE FOR REFERENCE ONLY.
THESE DRAWINGS AND SPECIFICATIONS ARE THE PROPERTY OF CROWN INTERNATIONAL, INC. AND SHALL NOT BE REPRODUCED, COPIED, OR USED AS THE BASIS FOR THE MANUFACTURE OR SALE OF APPARATUS OR DEVICES WITHOUT PERMISSION.

DWN	KLW	01-28-05		1718 W. MISHAWAKA RD. ELKHART, IN. 46517 PHONE: 574-294-8000 WWW.CROWNAUDIO.COM
CM	DSV	02-02-05		
PE	BC	01-28-05		
DISTRIBUTION			TITLE	
K			PWA, MAIN/INPUT CE1000A	
FILENAME			137556-3.B.1.PCB	
TOLERANCE UNLESS OTHERWISE SPECIFIED			SIZE DWG NO.	
.00 = .102"			D	
.000 = .010"			137556-3	
DRILLS = .003"			REV	
DO NOT SCALE DRAWING			B	
SCALE	FULL	PROJ. NO.	MDCE100	SHEET 1 OF 7

COMPONENT MAP
BOTTOM SIDE



UNCONTROLLED
UNLESS OTHERWISE MARKED IN RED INK BY CM AS A
CONTROLLED COPY, COPIES OF THESE DOCUMENTS
INCLUDING ASSOCIATED ELECTRONIC REPRODUCTIONS
ARE FOR REFERENCE ONLY.

THESE DRAWINGS AND SPECIFICATIONS ARE THE
PROPERTY OF CROWN INTERNATIONAL, INC. AND
SHALL NOT BE REPRODUCED, COPIED, OR USED
AS THE BASIS FOR THE MANUFACTURE OR SALE
OF APPARATUS OR DEVICES WITHOUT PERMISSION

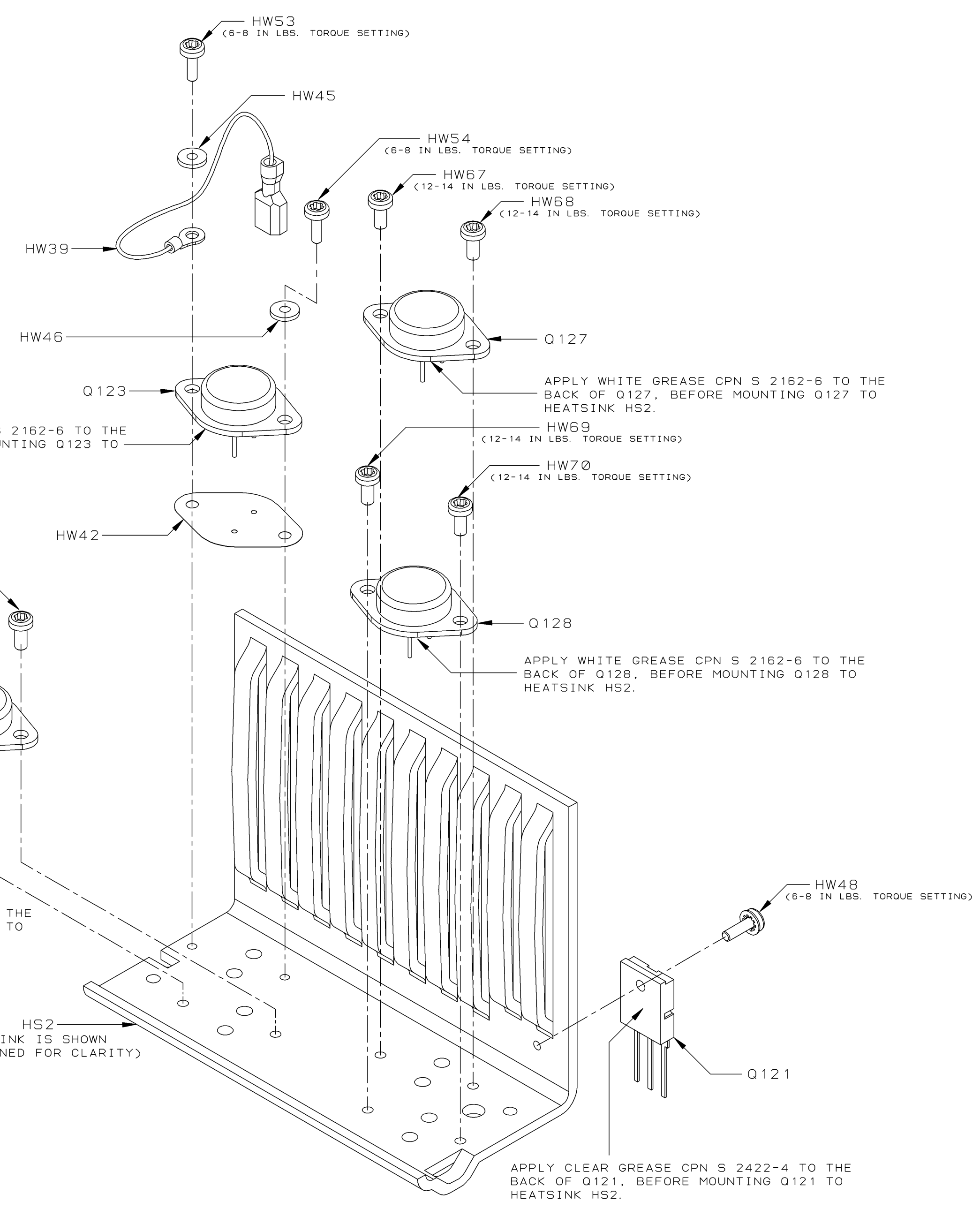
SIZE	DWG NO.	REV
D	137556-3	B
SCALE	FULL	PROJ NO. MDCE100
		SHEET 2 OF 7

D

C

B

A



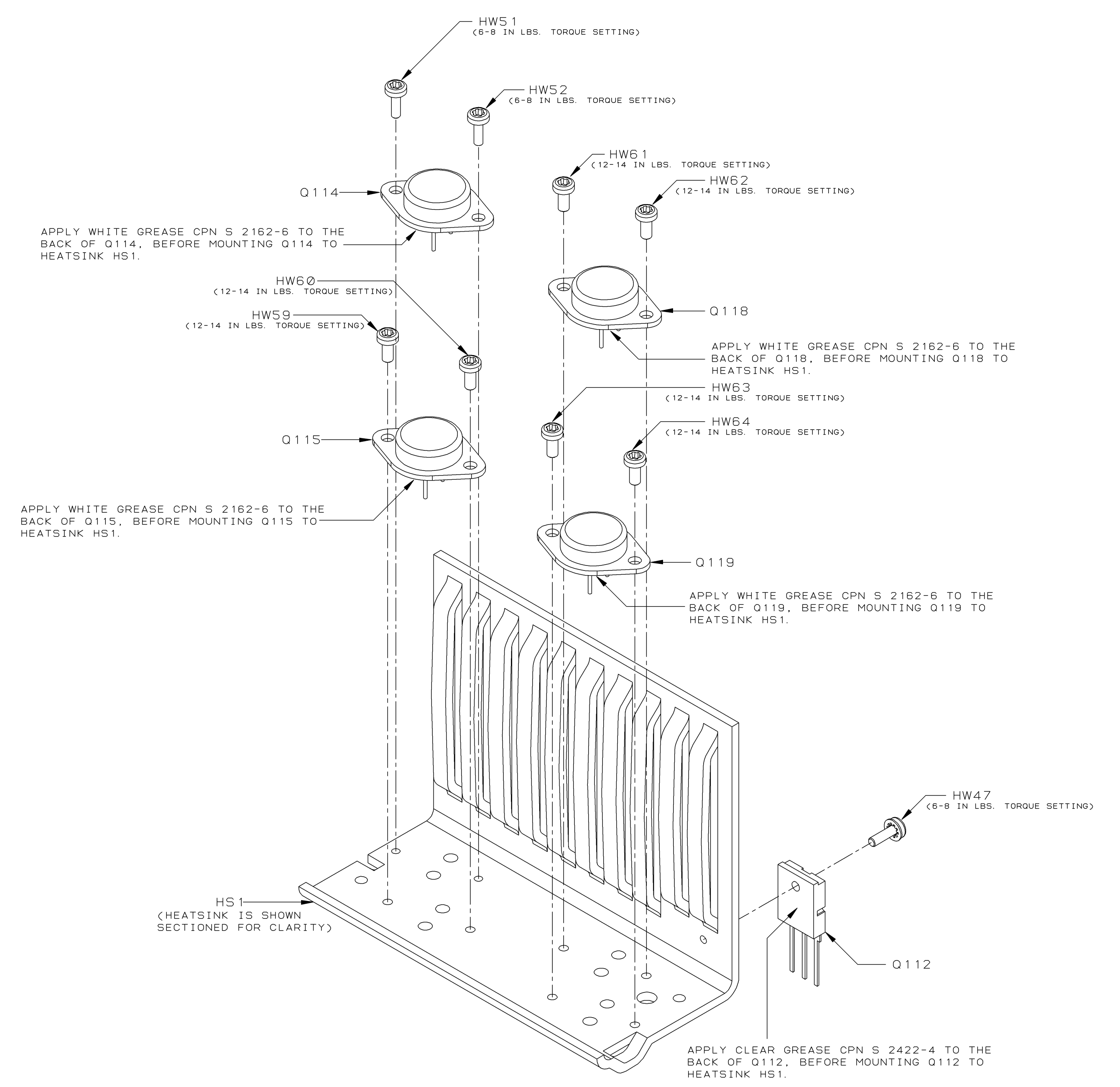
CH1- HEATSINK ASSEMBLY
 (NOTE: OUTPUT TRANSISTORS 102659-1 MUST BE THE SAME GRADE COLOR)

D

C

B

A



CH1+ HEATSINK ASSEMBLY
 (NOTE: OUTPUT TRANSISTORS 102659-1 MUST BE THE SAME GRADE COLOR)

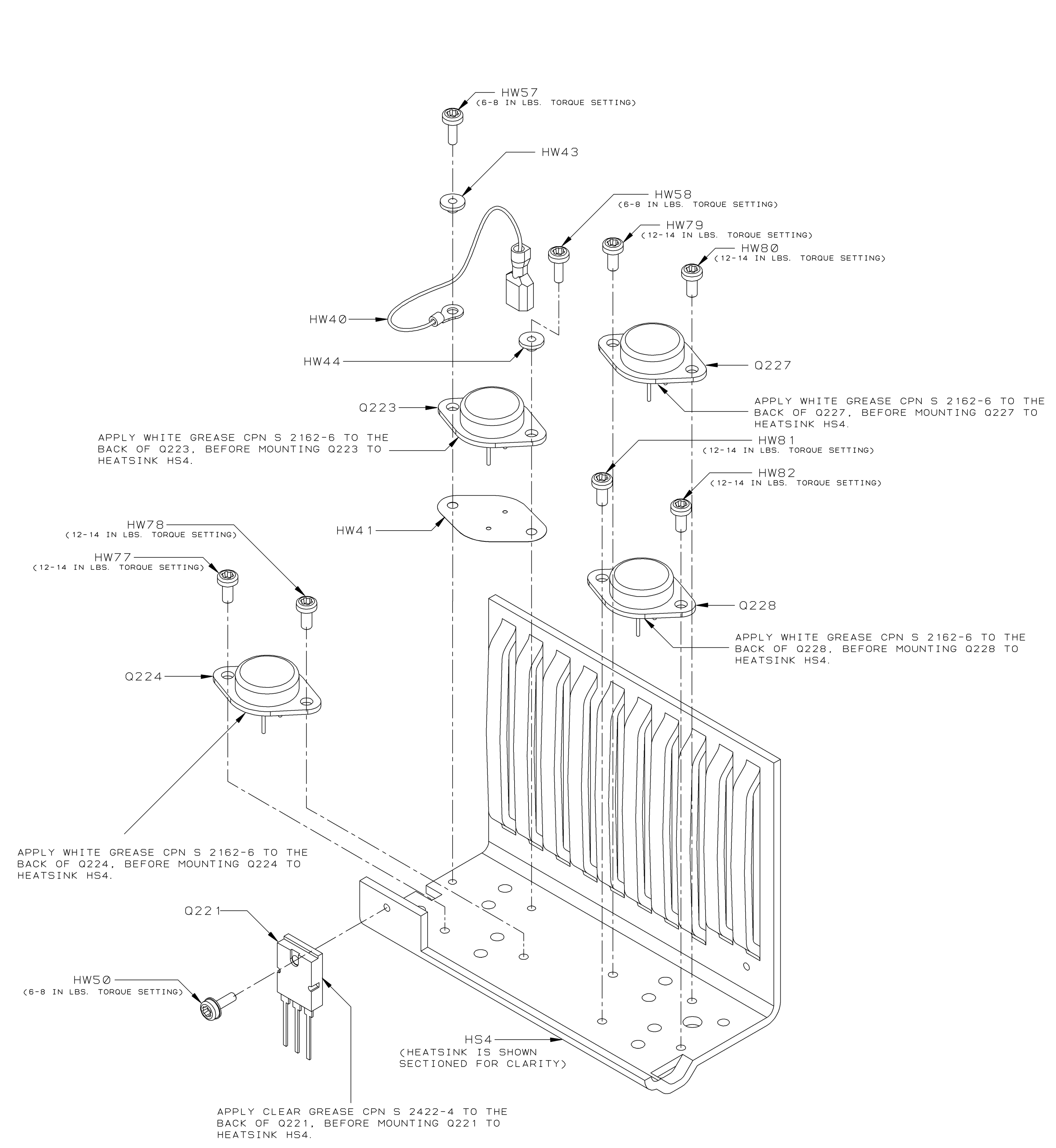
UNCONTROLLED UNLESS OTHERWISE MARKED IN RED INK BY CM AS A CONTROLLED COPY, COPIES OF THESE DOCUMENTS INCLUDING ASSOCIATED ELECTRONIC REPRODUCTIONS ARE FOR REFERENCE ONLY.		THESE DRAWINGS AND SPECIFICATIONS ARE THE PROPERTY OF CROWN INTERNATIONAL, INC. AND SHALL NOT BE REPRODUCED, COPIED, OR USED AS THE BASIS FOR THE MANUFACTURE OR SALE OF APPARATUS OR DEVICES WITHOUT PERMISSION.		SIZE D	DWG NO. 137556-3	REV B
SCALE	FULL	PROJ. NO.	MDCE100	SHEET 3 OF 7		

D

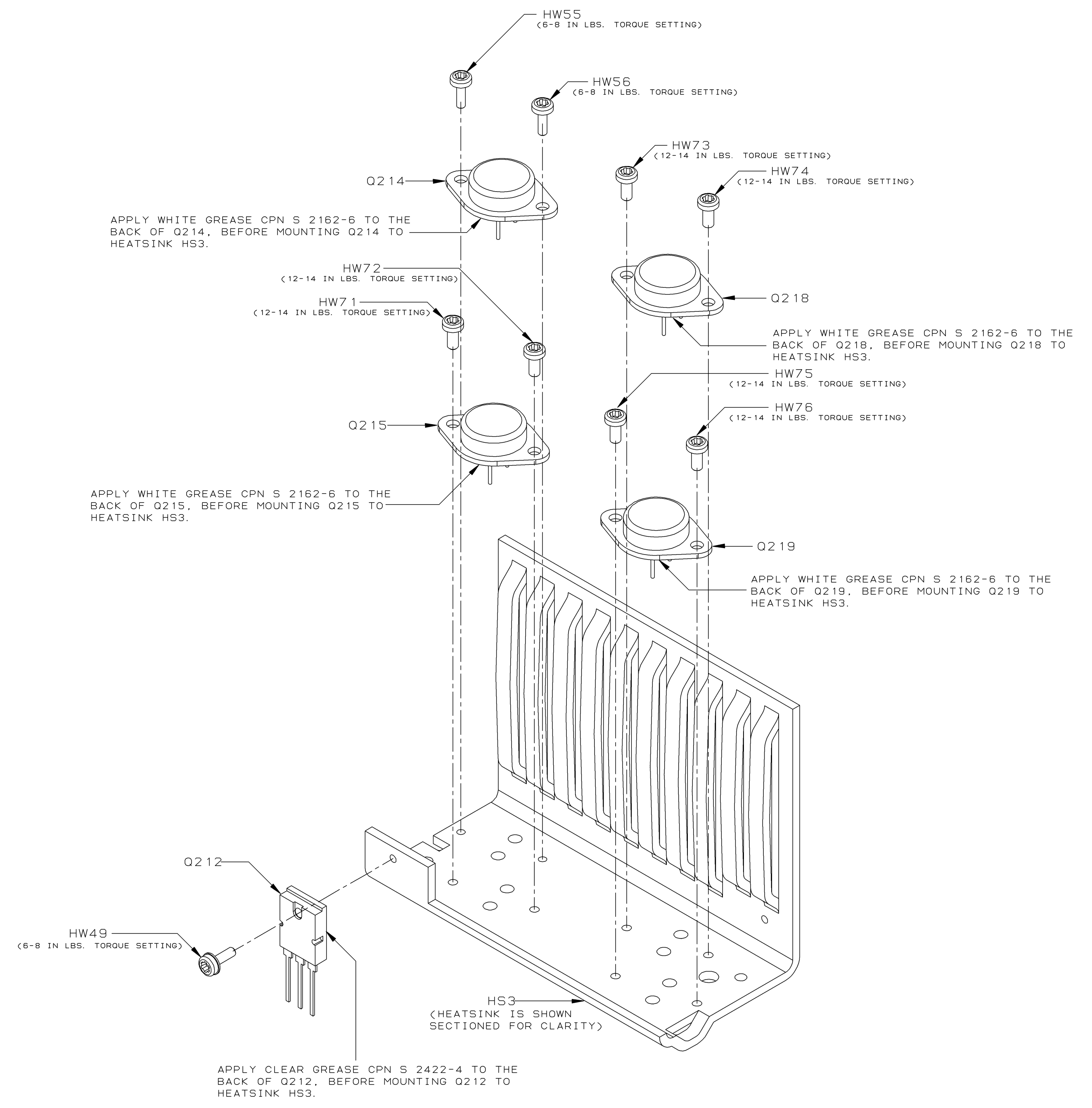
C

B

A

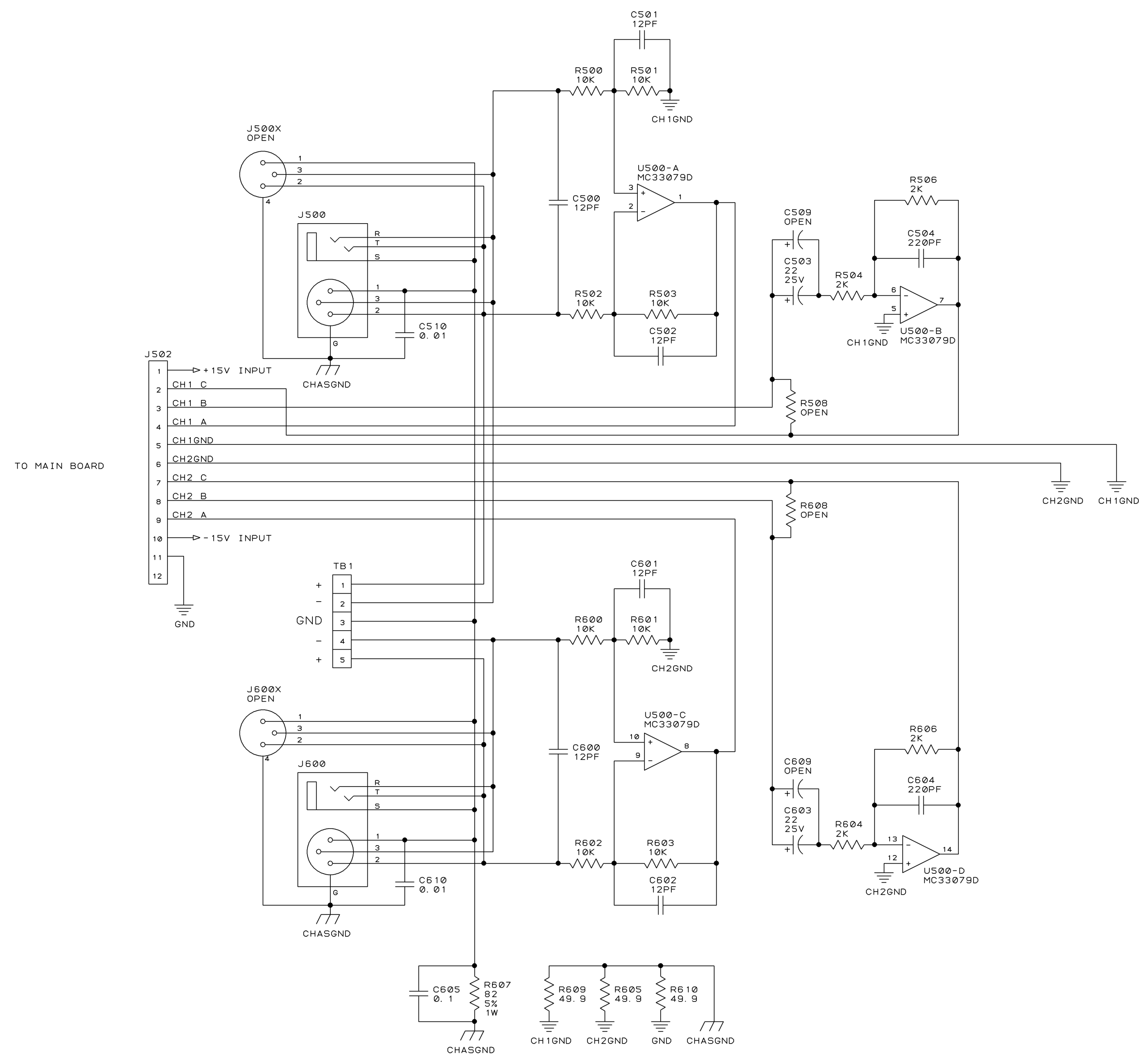


CH2- HEATSINK ASSEMBLY
 (NOTE: OUTPUT TRANSISTORS 102659-1 MUST BE THE SAME GRADE COLOR)



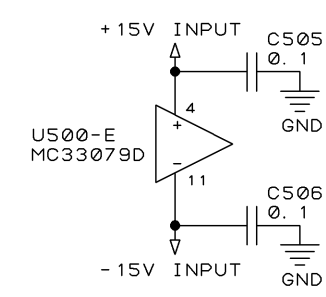
CH2+ HEATSINK ASSEMBLY
 (NOTE: OUTPUT TRANSISTORS 102659-1 MUST BE THE SAME GRADE COLOR)

UNCONTROLLED UNLESS OTHERWISE MARKED IN RED INK BY CM AS A CONTROLLED COPY, COPIES OF THESE DOCUMENTS INCLUDING ASSOCIATED ELECTRONIC REPRODUCTIONS ARE FOR REFERENCE ONLY.		THESE DRAWINGS AND SPECIFICATIONS ARE THE PROPERTY OF CROWN INTERNATIONAL, INC. AND SHALL NOT BE REPRODUCED, COPIED, OR USED AS THE BASIS FOR THE MANUFACTURE OR SALE OF APPARATUS OR DEVICES WITHOUT PERMISSION.		SIZE D	DWG NO. 137556-3	REV B
SCALE	FULL	PROJ. NO.	MDCE100	SHEET 4 OF 7		

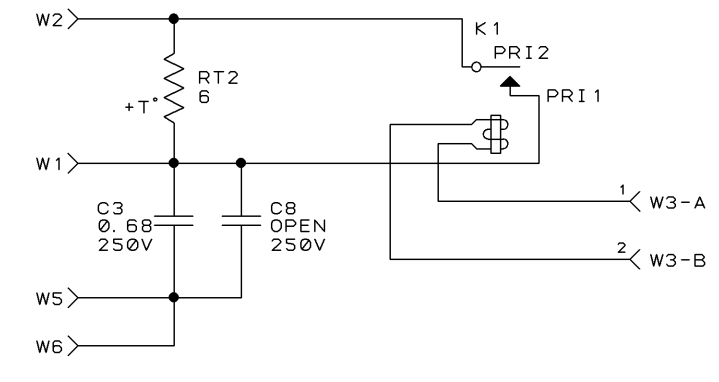


LAST USED	NOT USED
CB11	8-11, 13-18, 23, 32-89, 125, 145-199, 225, 244-499, 507, 508, 510-599, 606-698
D230	5, 11-12, 14-100, 131-200, 219, 220
E202	2-99, 103-199
J600	1, 6-99, 101-199, 201-499, 501, 503-599
K200	1-99, 101-199
L202	1-99, 103-199
Q233	4-99, 106, 113, 122, 130, 134-199, 206, 213, 222, 230
R610	7, 32, 34-99, 164, 166, 173, 198, 207, 208, 258, 264, 266, 273, 298, 320, 321, 324-399, 424-499, 505, 507, 509-599
S2	
TB1	
U500	6-99, 103, 107-199, 203, 207-499
WP7	
Z200	2-99, 101-199

BYPASS CAPACITORS



INPUT

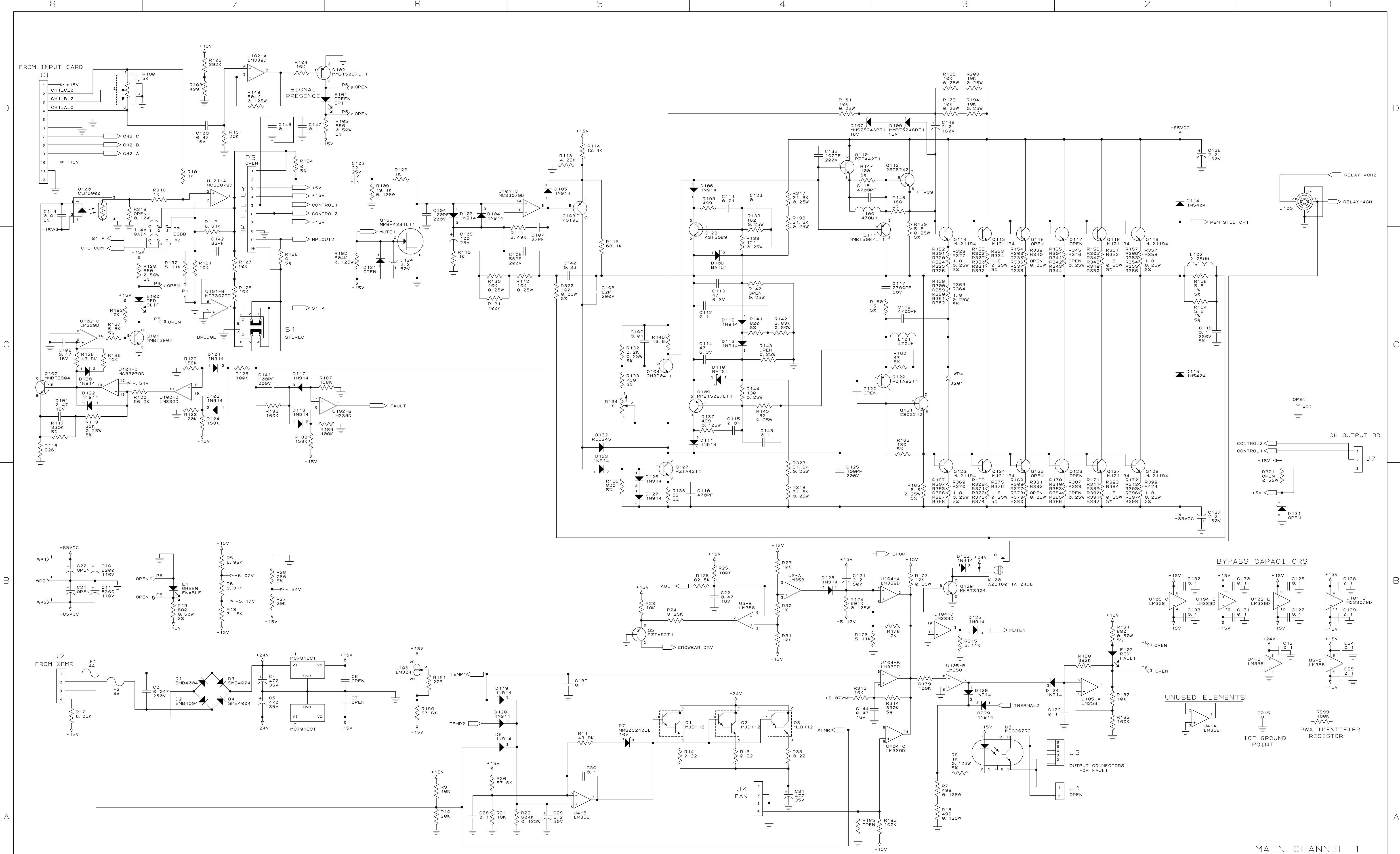


SOFT START

- NOTES:
1. ALL RESISTORS ARE IN OHMS. 0.10W, 5% UNLESS OTHERWISE SPECIFIED.
 2. ALL CAPACITORS ARE IN MICROFARADS UNLESS OTHERWISE SPECIFIED.
 3. NOT USED IN CH AND CL MODELS.
 4. 8 EMITTER RESISTORS ARE USED PER OUTPUT TRANSISTOR BUT ONLY 1 RESISTOR SCHEMATIC SYMBOL IS SHOWN FOR CLARITY.
 5. SEE 137556-3_B.XLS FOR PWA DATA AND REVISION HISTORY.

PWA, MAIN/INPUT CE1000A

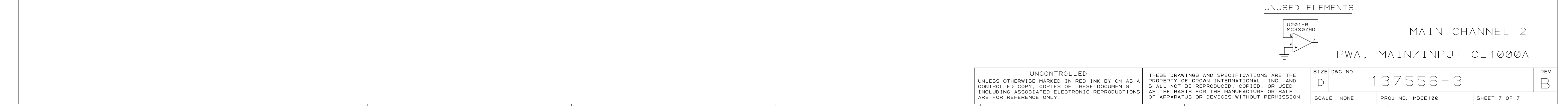
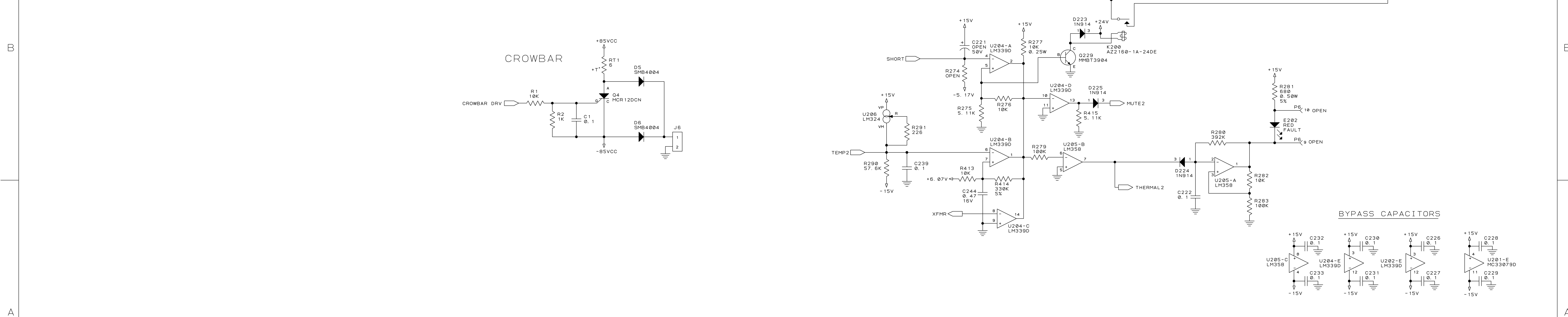
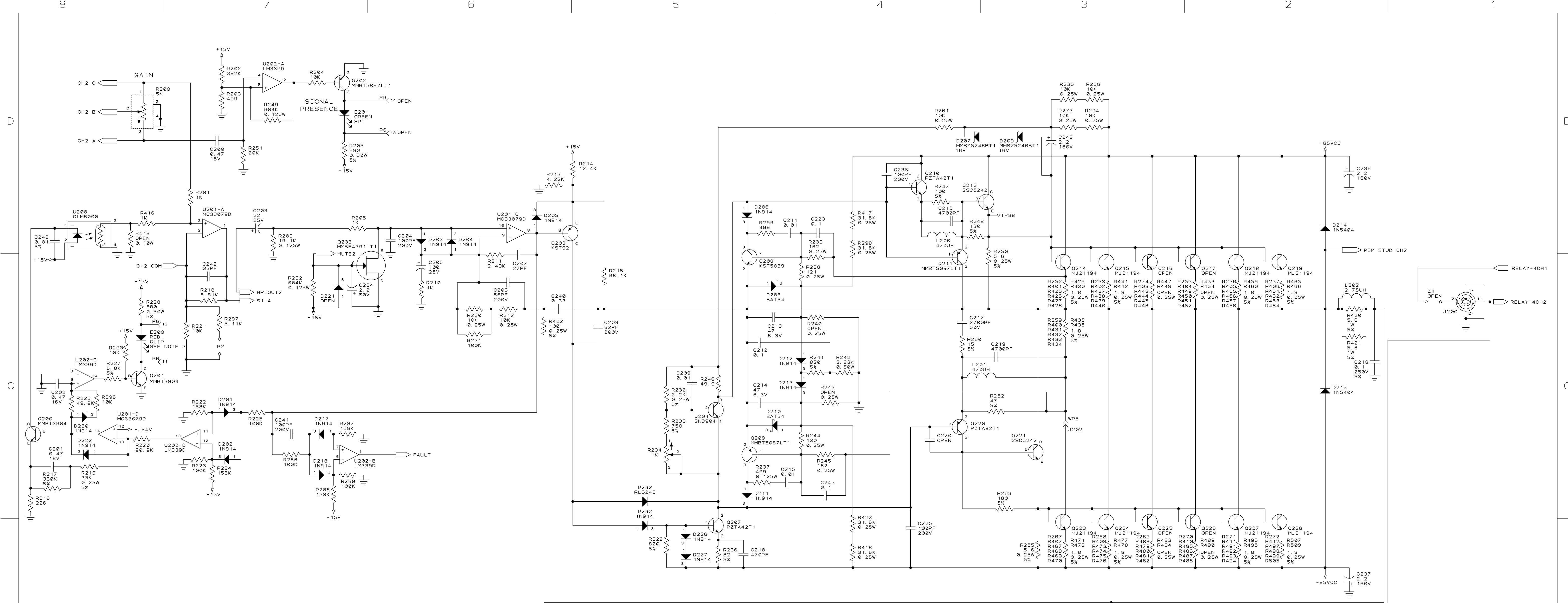
UNCONTROLLED		THESE DRAWINGS AND SPECIFICATIONS ARE THE PROPERTY OF CROWN INTERNATIONAL, INC. AND SHALL NOT BE REPRODUCED, COPIED, OR USED AS THE BASIS FOR THE MANUFACTURE OR SALE OF APPARATUS OR DEVICES WITHOUT PERMISSION.		SIZE	DWG NO.	REV
D					137556-3	B
SCALE	NONE	PROJ NO.	MDCE100	SHEET 5 OF 7		



MAIN CHANNEL 1

PWA, MAIN/INPUT CE 1000A

UNCONTROLLED UNLESS OTHERWISE MARKED IN RED INK BY CM AS A CONTROLLED COPY, COPIES OF THESE DOCUMENTS INCLUDING ASSOCIATED ELECTRONIC REPRODUCTIONS ARE FOR REFERENCE ONLY.		THESE DRAWINGS AND SPECIFICATIONS ARE THE PROPERTY OF CROWN INTERNATIONAL, INC. AND SHALL NOT BE REPRODUCED, COPIED, OR USED AS THE BASIS FOR THE MANUFACTURE OR SALE OF APPARATUS OR DEVICES WITHOUT PERMISSION.		SIZE D	DWG NO. 137556-3	REV B
SCALE NONE		PROJ NO. MDC100		SHEET 6 OF 7		



UNCONTROLLED UNLESS OTHERWISE MARKED IN RED INK BY CH AS A CONTROLLED COPY. COPIES OF THESE DOCUMENTS INCLUDING ASSOCIATED ELECTRONIC REPRODUCTIONS ARE FOR REFERENCE ONLY.		THESE DRAWINGS AND SPECIFICATIONS ARE THE PROPERTY OF CROWN INTERNATIONAL, INC. AND SHALL NOT BE REPRODUCED, COPIED, OR USED AS THE BASIS FOR THE MANUFACTURE OR SALE OF APPARATUS OR DEVICES WITHOUT PERMISSION.		SIZE D	DWG NO. 137556-3	REV B
SCALE NONE		PROJ NO. MDCE100		SHEET 7 OF 7		

MAIN CHANNEL 2
PWA, MAIN/INPUT CE1000A