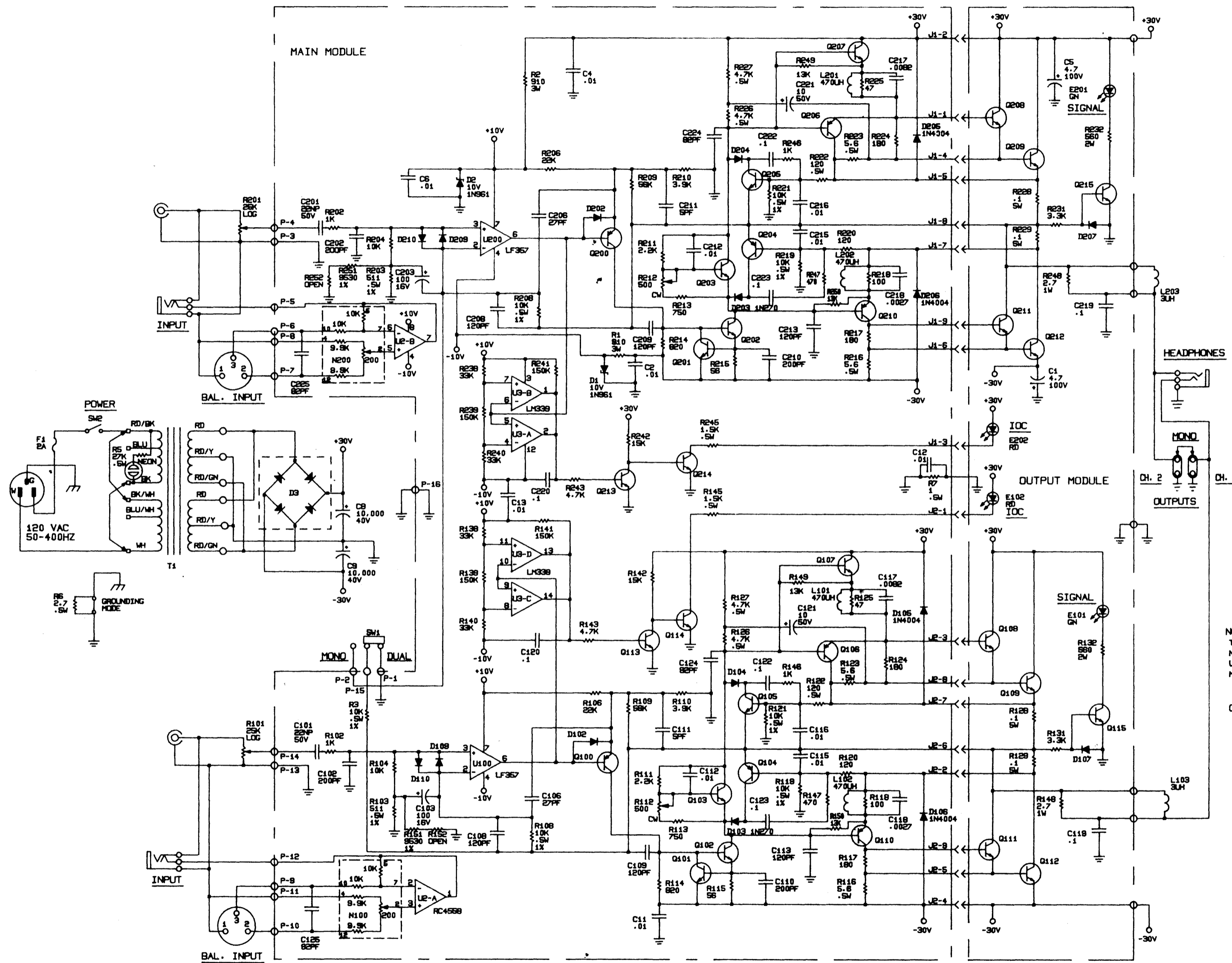


E.C.N.	ZONE	REV	DESCRIPTION	DATE	BY	CHK	ME	EF	PE
		A	C101 & C201 WERE 25 NOM 25 DELETED C7	2-18-85	LCD	JF			CG
		B	REVISED NON-POLAR CAP SHAPES	8-1-85	GWS	JF			CG
		B	ADDED PIN NUMBERS TO BAL. INPUT RESISTOR NETWORK	8-1-85	GWS	JF			CG
89-0500		C	R1 & R2 WERE 820 OHMS	8-16-88	LCD	JF			SR
89-0584		D	L101, L02, 201, 202 WERE .5UH	8-1-89	LCD	JF			CA



LAST USED	OBSOLETE
R452	R452
R252	R252
C125	C125
C225	C225
Q115	Q115
Q215	Q215
D110	D110, 108
D210	D210, 208
E102	E100
E202	E200
L103	L100
L203	L200
N100	N100
N200	N200
D3	D3
F1	F1
T1	T1
U3	U1
SW2	SW2
C13	C3, C10 C7
R7	R4
U100	U100
L200	L200

NOTE:
THIS IS A REPRESENTATIVE SCHEMATIC ONLY AND DOES NOT NECESSARILY REFLECT THE EXACT CIRCUITRY OF YOUR UNIT. PLEASE REFER TO THE RESPECTIVE SERVICE MANUAL FOR FURTHER TECHNICAL INFORMATION.

- GENERAL:
- ALL RESISTORS ARE IN OHMS, .25W EX ALL CAPACITORS ARE IN MICROFARADS, UNLESS OTHERWISE NOTED.
 - OUTPUT PC BOARD #8730 CONTAINS COMPONENTS FOR BOTH CH1 AND CH2, AND IT IS LOCATED ON THE FRONT PANEL HEAT SINK ASSEMBLY.
 - MODEL 5507 CONTAINS SBC INPUT ONLY. MODELS 8404 AND 8730 CONTAIN BALANCED AND UNBALANCED INPUT. THE BALANCED INPUT DOES NOT FUNCTION WHEN THE UNBALANCED INPUT IS USED.
 - ALL DIODES ARE 1N4148 UNLESS OTHERWISE SPECIFIED.

INACTIVE
For Reference Use Only

CROWN INTERNATIONAL, INC.
1718 WEST MISHAWAKA ROAD ELKHART, INDIANA 46517 PHONE (219)294-8000

SC. D75-5507 AND 8404

DRAWN	LCD	2-18-85	APPROVED BY	DO NOT SCALE PRINT
CHECKED	JF	9-4-85	ME	SUPERSEDES
REL FOR TOOLING	BY	DATE	PE	E.C.N.
REL FOR PROD	BY	DATE	PE	CG
NEXT ASSEMBLY				C.P.N.
				J0116-4
				REV
				①