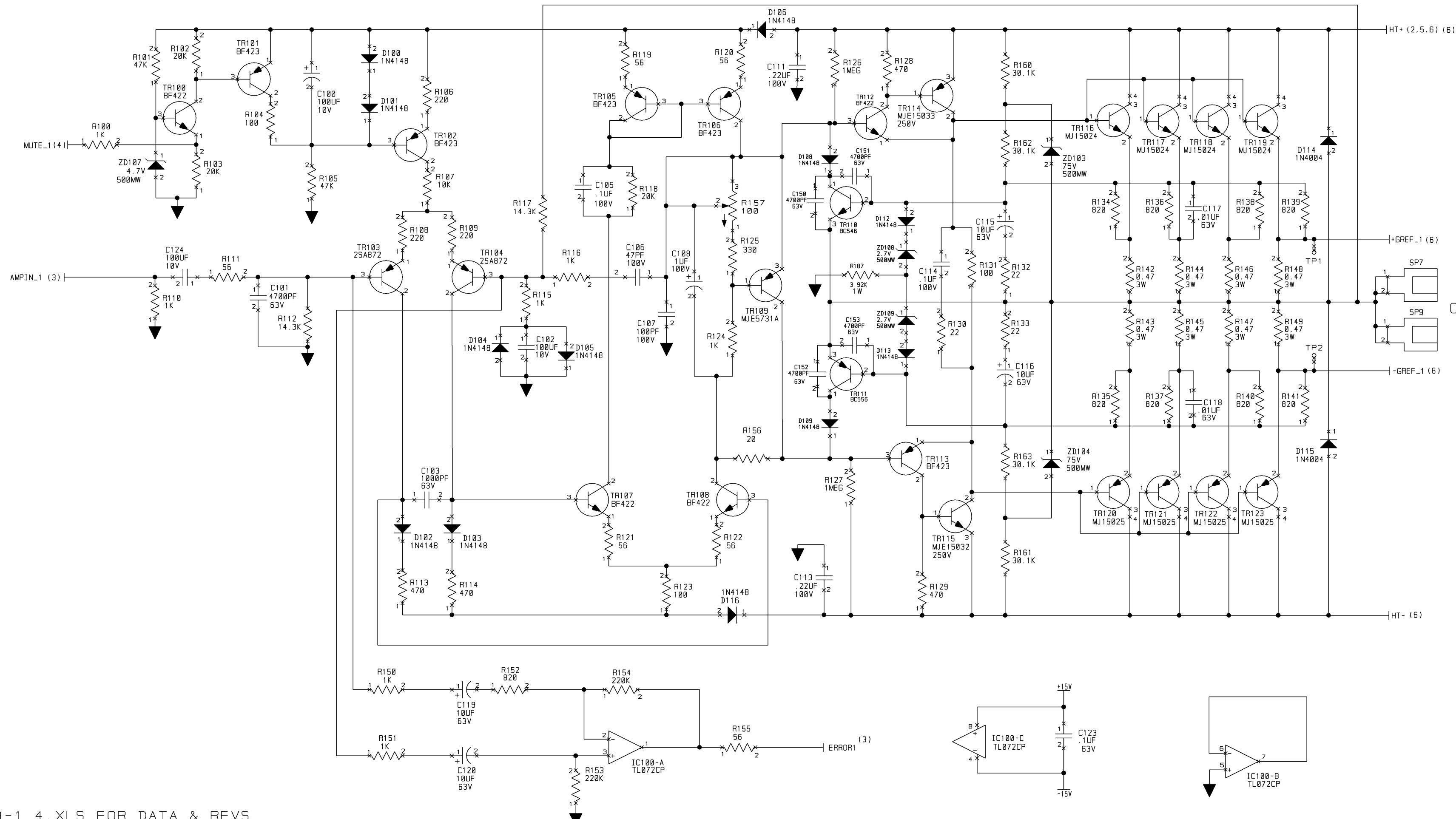


REVISION HISTORY					APPROVED		
E. C. N.	ZONE	REV	DESCRIPTION	DATE	DWN	CM	PE
		3	SEE 136289-1_3.XLS FOR REVISION HISTORY REWIRED J501 & J504	5-9-03	JFL		GT



NOTES:

- SEE 136289-1_4.XLS FOR DATA & REVS
- 1. ALL RESISTORS ARE IN OHMS, 0.25W, 1% UNLESS OTHERWISE SPECIFIED.
- 2. ALL CAPACITORS ARE IN MICROFARADS UNLESS OTHERWISE SPECIFIED.

UNCONTROLLED
 UNLESS OTHERWISE MARKED IN RED INK BY CM AS A CONTROLLED COPY. COPIES OF THESE DOCUMENTS INCLUDING ASSOCIATED ELECTRONIC REPRODUCTIONS ARE FOR REFERENCE ONLY. VERIFY LATEST REVISION PRIOR TO USE.

THESE DRAWINGS AND SPECIFICATIONS ARE THE PROPERTY OF CROWN INTERNATIONAL, INC. AND SHALL NOT BE REPRODUCED, COPIED, OR USED AS THE BASIS FOR THE MANUFACTURE OR SALE OF APPARATUS OR DEVICES WITHOUT PERMISSION.

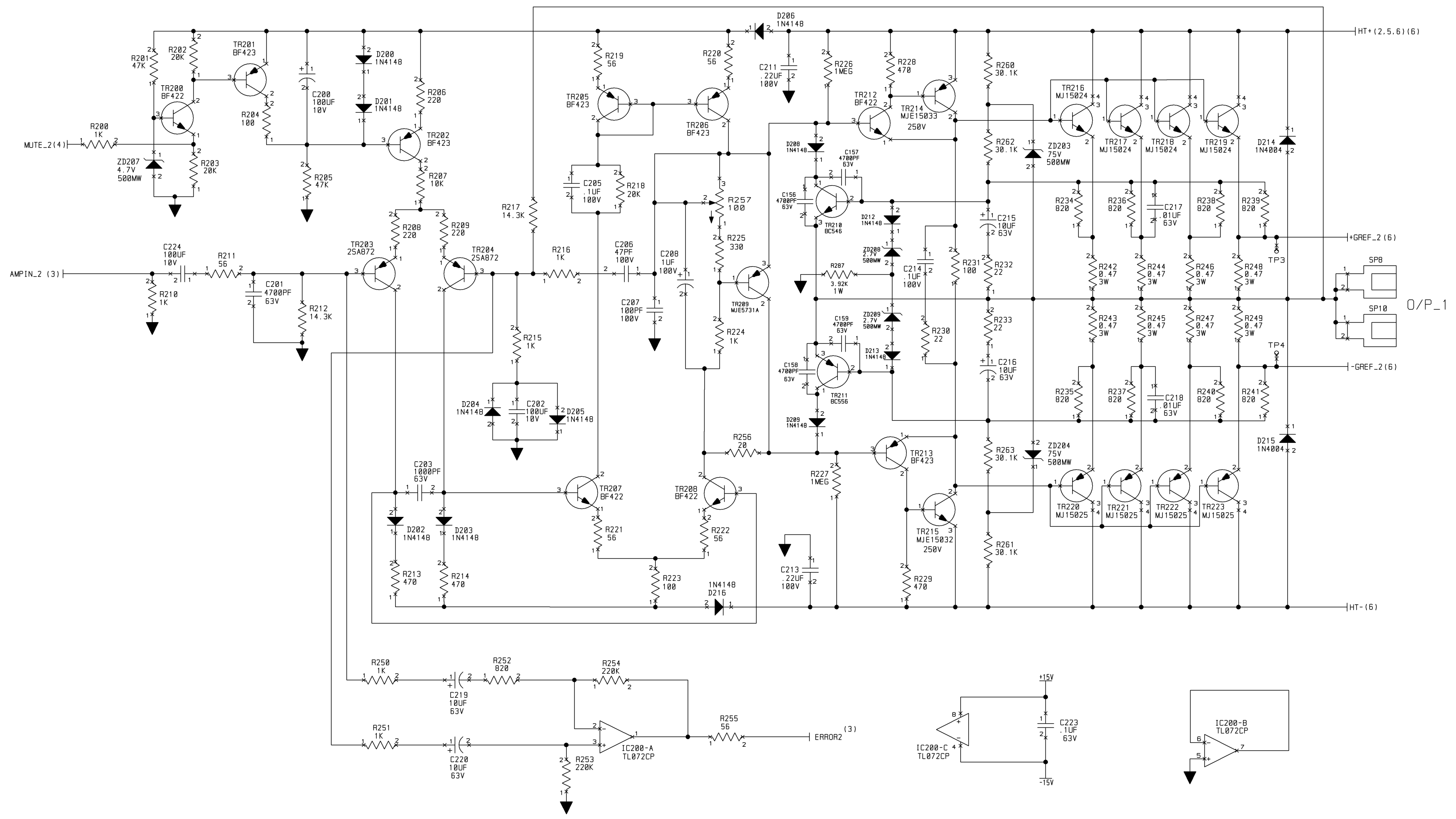
DISTRIBUTION	DWN	JFL	5-9-03
FILENAME	CM		
	PE	GT	5-9-03
TOLERANCE UNLESS OTHERWISE SPECIFIED			
.00 = ±.02"			
.000 = ±.010"			
DRILLS = ±.003"			
DO NOT SCALE DRAWING			

CROWN INTERNATIONAL, INC.
 1718 W. MISHAWAKA RD.
 ELKHART IN. 46517
 PHONE 574-294-8000
 WWW.CROWNINTL.COM

TITLE
PWA, 2 CHANNEL X 700W

SIZE DWG NO. 136289-1 REV 4

SCALE NONE PROJ NO. MD470D0 SHEET 1 OF 5



PWA, 2 CHANNEL
X 700W

UNCONTROLLED UNLESS OTHERWISE MARKED IN RED INK BY CM AS A CONTROLLED COPY. COPIES OF THESE DOCUMENTS INCLUDING ASSOCIATED ELECTRONIC REPRODUCTIONS ARE FOR REFERENCE ONLY.		THESE DRAWINGS AND SPECIFICATIONS ARE THE PROPERTY OF CROWN INTERNATIONAL, INC. AND SHALL NOT BE REPRODUCED, COPIED, OR USED AS THE BASIS FOR THE MANUFACTURE OR SALE OF APPARATUS OR DEVICES WITHOUT PERMISSION.		SIZE C	DWG NO. 136289-1	REV 4
SCALE NONE	PROJ NO. MD470D0	SHEET 2	OF 5			

4

3

2

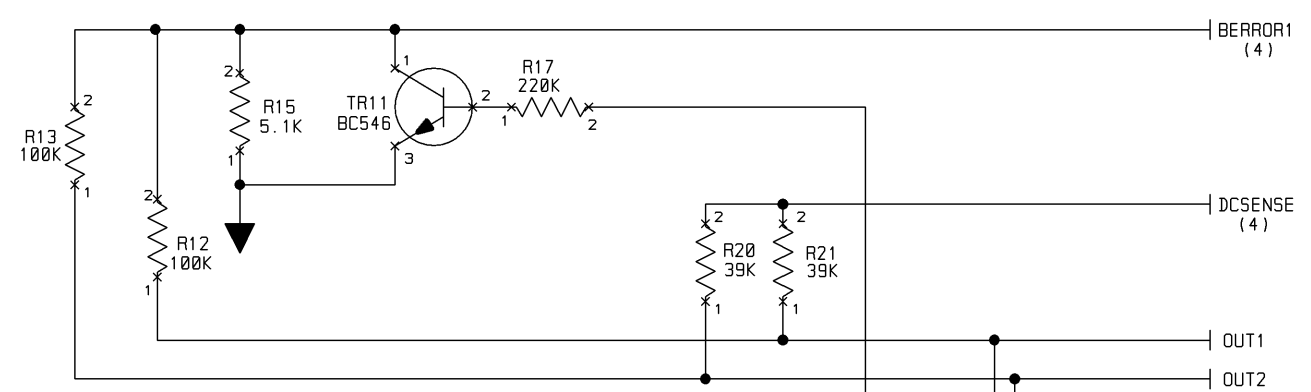
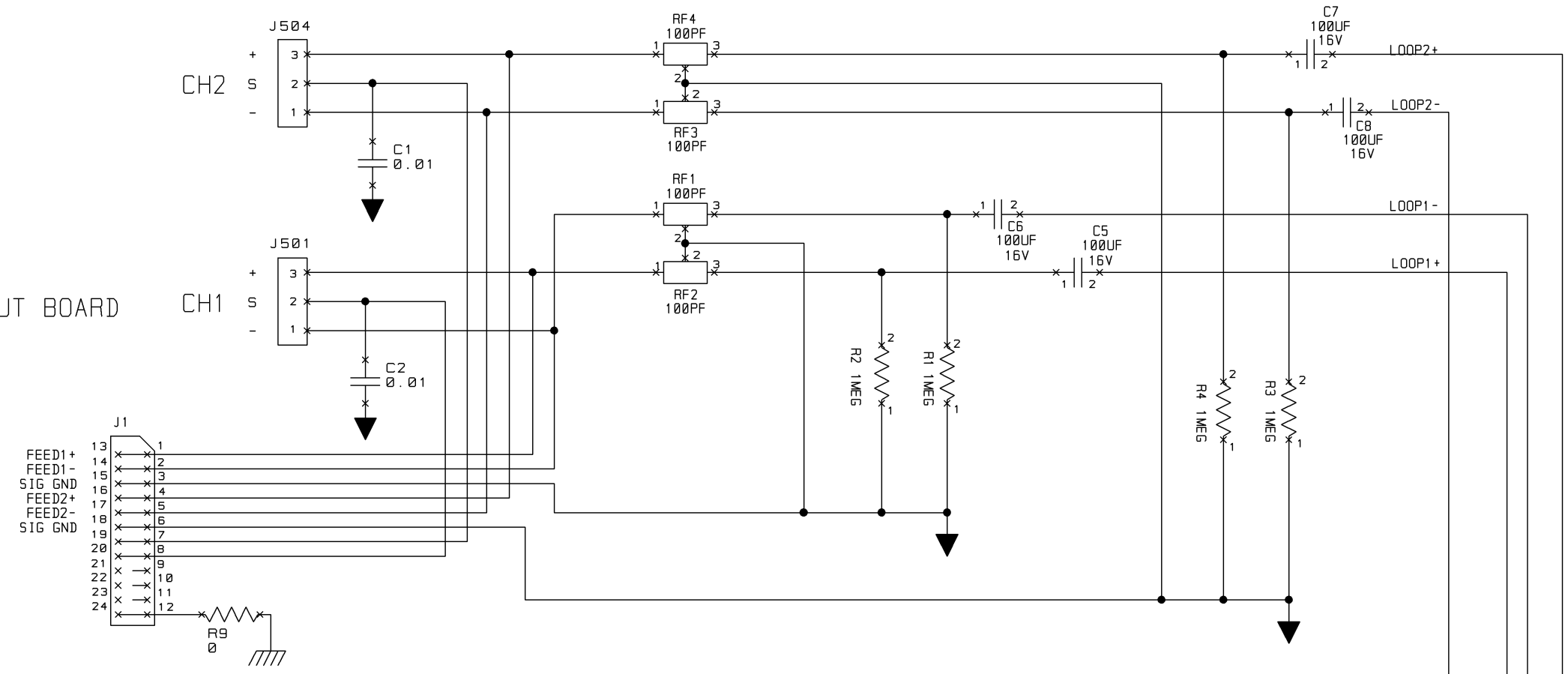
D

C

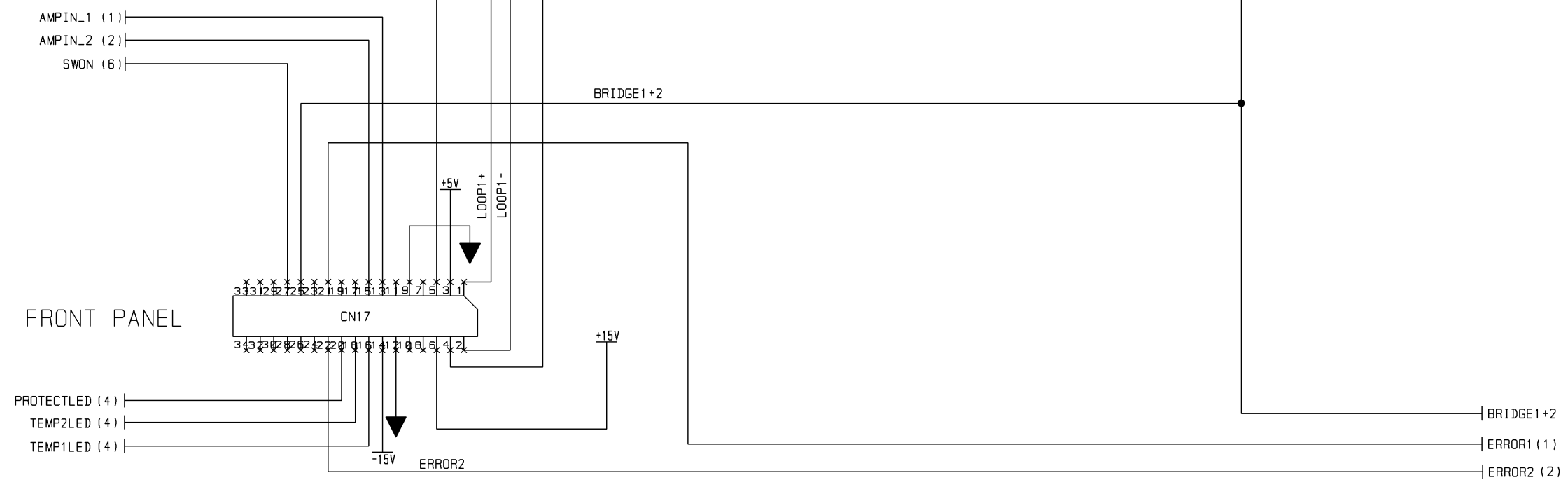
B

A

INPUT BOARD



O/P BOARD



PWA, 2 CHANNEL X 700W

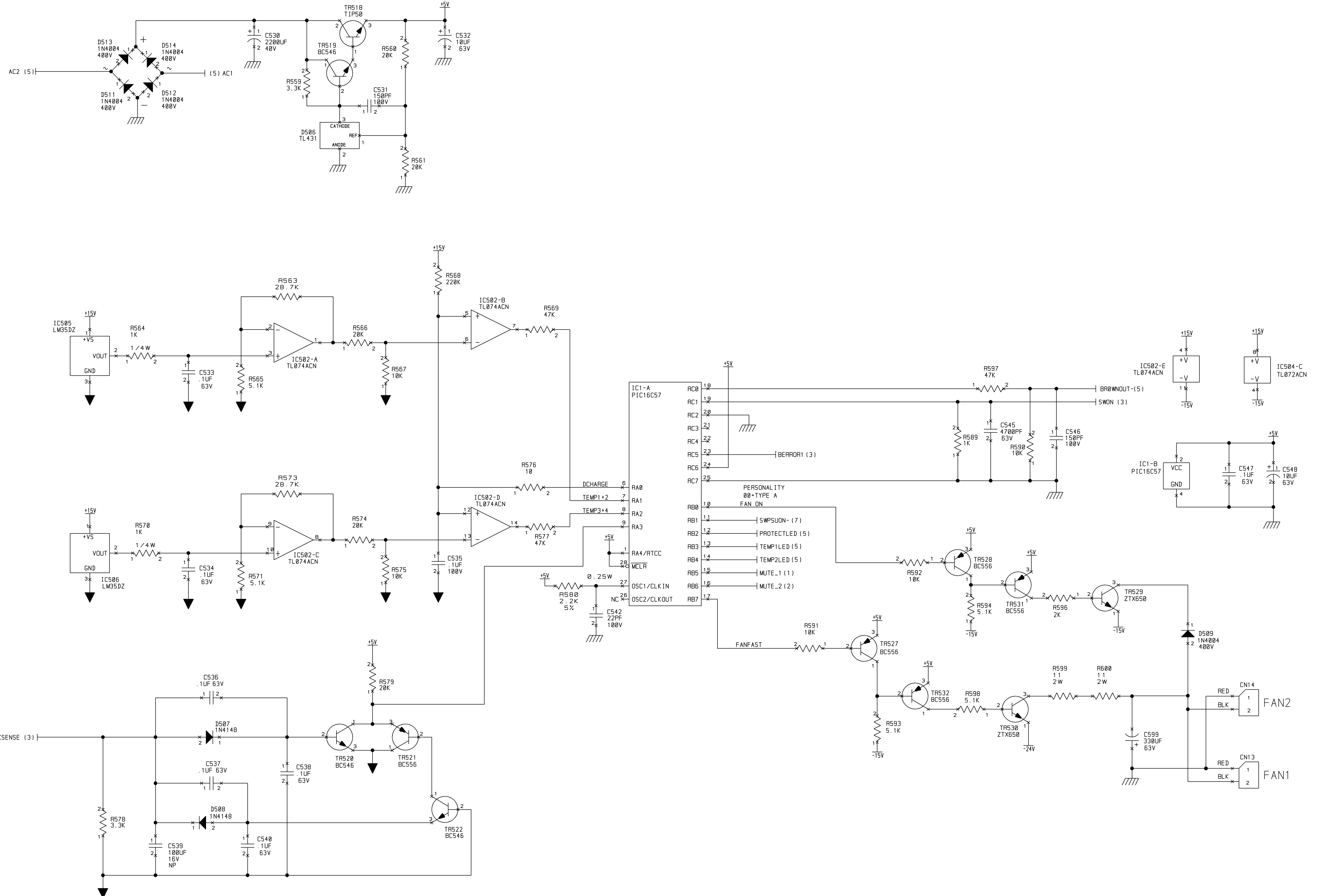
UNCONTROLLED		THESE DRAWINGS AND SPECIFICATIONS ARE THE PROPERTY OF CROWN INTERNATIONAL, INC. AND SHALL NOT BE REPRODUCED, COPIED, OR USED AS THE BASIS FOR THE MANUFACTURE OR SALE OF APPARATUS OR DEVICES WITHOUT PERMISSION.		SIZE C	DWG NO. 136289-1	REV 4
SCALE NONE	PROJ NO. MD470D0	SHEET 3	OF 5			

4

3

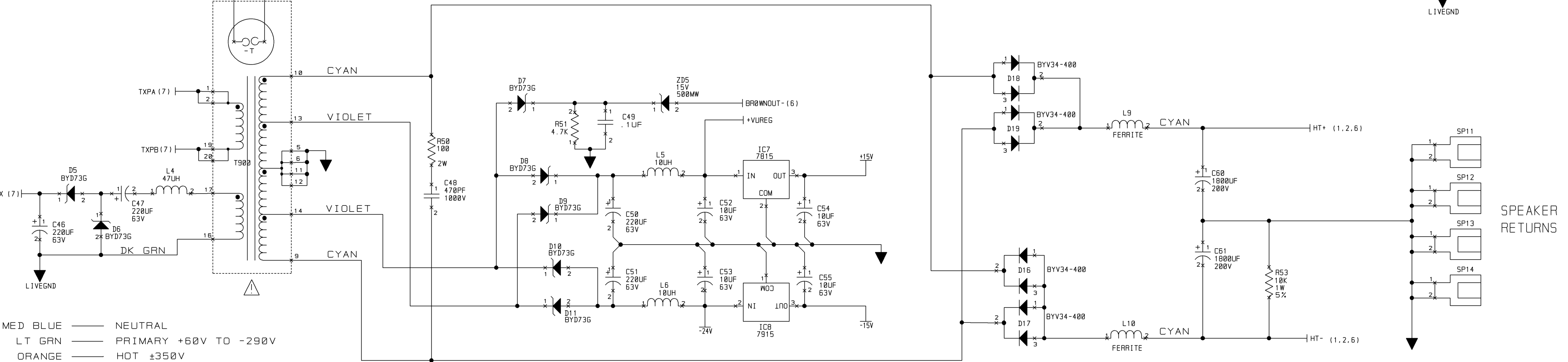
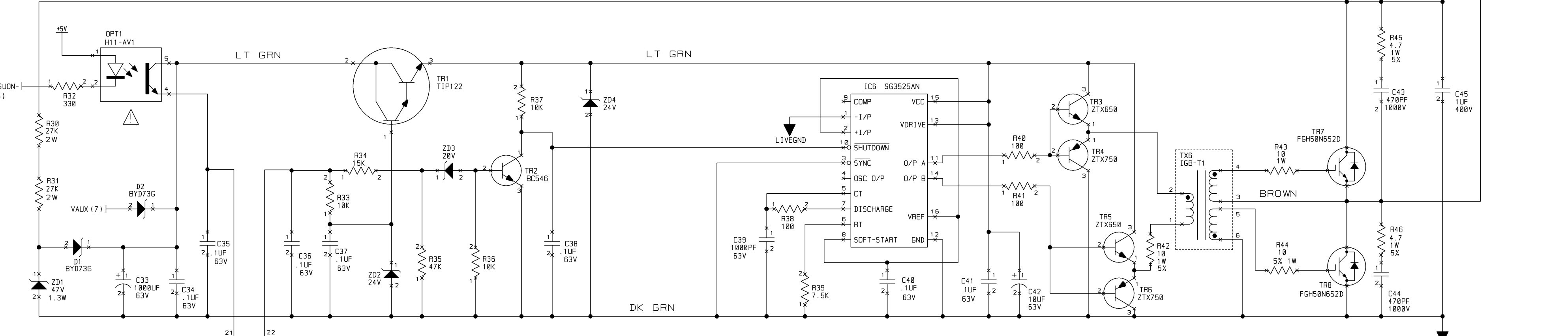
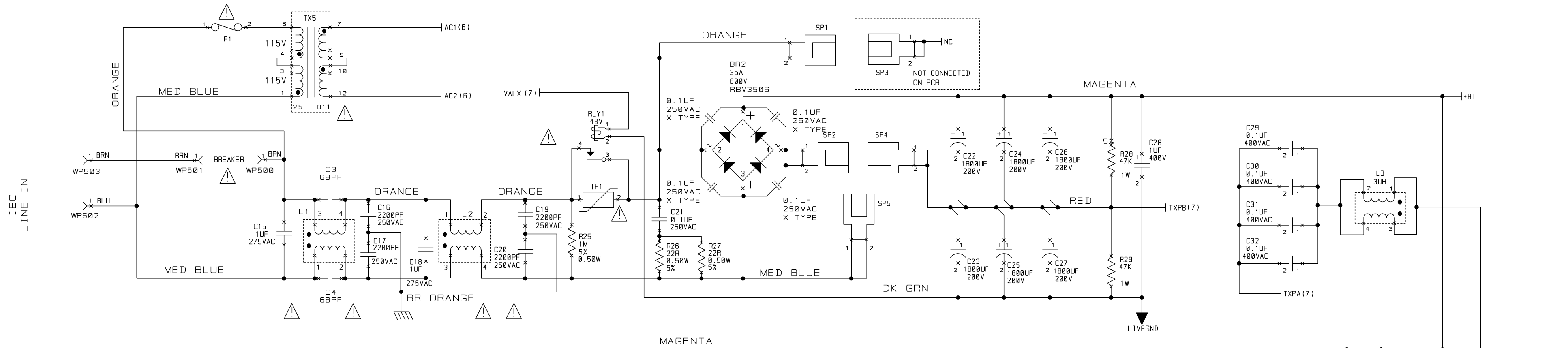
2

1



PWA, 2 CHANNEL
X 700W

UNCONTROLLED		THESE DRAWINGS AND SPECIFICATIONS ARE THE PROPERTY OF CROWN INTERNATIONAL, INC. AND SHALL NOT BE REPRODUCED, COPIED, OR USED AS THE BASIS FOR THE MANUFACTURE OR SALE OF APPARATUS OR DEVICES WITHOUT PERMISSION.		SIZE C	DWG NO. 136289-1	REV 4
UNLESS OTHERWISE MARKED IN RED INK BY CM AS A CONTROLLED COPY, COPIES OF THESE DOCUMENTS INCLUDING ASSOCIATED ELECTRONIC REPRODUCTIONS ARE FOR REFERENCE ONLY.		SCALE NONE	PROJ NO. MD470D0	SHEET 4	OF 5	



- MED BLUE — NEUTRAL
- LT GRN — PRIMARY +60V TO -290V
- ORANGE — HOT ±350V
- MAGENTA — PRIMARY +350V
- DK GRN — PRIMARY -350V
- CYAN — SECONDARY ±77V
- BR. ORANGE — PRIMARY GROUND
- RED — PRIMARY ±175V
- VIOLET — SECONDARY ±33V
- BROWN — PRIMARY ±350V
- LT GREY — UNCLASSIFIED

PWA, 2 CHANNEL
X 700W

UNCONTROLLED		THESE DRAWINGS AND SPECIFICATIONS ARE THE PROPERTY OF CROWN INTERNATIONAL, INC. AND SHALL NOT BE REPRODUCED, COPIED, OR USED AS THE BASIS FOR THE MANUFACTURE OR SALE OF APPARATUS OR DEVICES WITHOUT PERMISSION.	
SIZE	DWG NO.	136289-1	REV 4
SCALE NONE	PROJ NO.	MD470D0	SHEET 5 OF 5