

## D-150A II MAIN MODULE Q41603J3 (cont'd)

<u>LOCATION #</u>	<u>DESCRIPTION</u>	<u>PART #</u>
R10	390 ohm .5W 5%	C 2609-3
R11	10K ohm .5W 1%	C 2343-9
R13	100 ohm .25W 5%	C 2872-7
R100	100K ohm Trim Pot	C 5062-2
R101	2M ohm .25W 5%	C 3199-4
R102	250K ohm Trim Pot	C 3087-1
R103	1K ohm .25W 5%	C 2627-5
R104	240K ohm .25W 5%	C 4220-7
R106	4.7K ohm .25W 10%	C 3939-3
R107	56 ohm .25W 10%	C 3511-0
R108	3.3K ohm .25W 10%	C 2629-1
R109	510 ohm .5W 1%	C 3304-0
R110	2.4K ohm .25W 5%	C 3616-7
R111	56K ohm .25W 5%	C 2882-6
R112	8.2K ohm .25W 5%	C 2877-6
R113	5.6K ohm .25W 5%	C 3220-8
R114	1K ohm .25W 5%	C 2627-5
R115	10K ohm .5W 1%	C 2343-9
R116	820 ohm .25W 5%	C 3301-6
R117	33K ohm .5W 5%	C 3137-4
R118	120 ohm .5W 5%	C 3837-9
R119	82 ohm .25W 5%	C 3960-9
R120	5.1K ohm 1W 5%	C 2808-1
R121	22.1K ohm .5W 1%	C 3855-1
R122	82 ohm .25W 5%	C 3960-9
R123	120 ohm .5W 5%	C 3837-9
R124	82 ohm .25W 5%	C 3960-9
R125	2.2K ohm .5W 5%	C 1036-0
R125	2.2K ohm .25W 5%	C 3152-3
R126	750 ohm .25W 5%	C 3803-1
R127	15 ohm .25W 5%	C 3614-2
R128	500 ohm Trim Pot	C 6048-0
R129	100 ohm .25W 5%	C 2872-7
R130	180 ohm .25W 5%	C 2873-5
R131	5.6 ohm .5W 5%	C 3299-2
R135	180 ohm .25W 5%	C 2873-5
R136	5.6 ohm .5W 5%	C 3299-2
R137	180K ohm .25W 5%	C 4218-1
R142	13K ohm .25W 5%	C 4300-7
R143	13K ohm .25W 5%	C 4300-7

## D-150A II MAIN MODULE Q41603J3 (cont'd)

<u>LOCATION #</u>	<u>DESCRIPTION</u>	<u>PART #</u>
<i>RESISTORS (cont'd)</i>		
R200	100K ohm Trim Pot	C 5062-2
R201	2M ohm .25W 5%	C 3199-4
R202	250K ohm Trim Pot	C 3087-1
R203	1K ohm .25W 5%	C 2627-5
R204	240K ohm .25W 5%	C 4220-7
R206	4.7K ohm .25W 10%	C 3939-3
R207	56 ohm .25W 10%	C 3511-0
R208	3.3K ohm .25W 10%	C 2629-1
R209	510 ohm .5W 1%	C 3304-0
R210	2.4K ohm .25W 5%	C 3616-7
R211	56K ohm .25W 5%	C 2882-6
R212	8.2K ohm .25W 5%	C 2877-6
R213	5.6K ohm .25W 5%	C 3220-8
R214	1K ohm .25W 5%	C 2627-5
R215	10K ohm .5W 1%	C 2343-9
R216	820 ohm .25W 5%	C 3301-6
R217	33K ohm .5W 5%	C 3137-4
R218	120 ohm .5W 5%	C 3837-9
R219	82 ohm .25W 5%	C 3960-9
R220	5.1K ohm 1W 5%	C 2808-1
R221	22.1K ohm .5W 1%	C 3855-1
R222	82 ohm .25W 5%	C 3960-9
R223	120 ohm .5W 5%	C 3837-9
R224	82 ohm .25W 5%	C 3960-9
R225	2.2K ohm .5W 5%	C 1036-0
R225	2.2K ohm .25W 5%	C 3152-3
R226	750 ohm .25W 5%	C 3803-1
R227	15 ohm .25W 5%	C 3614-2
R228	500 ohm Trim Pot	C 6048-0
R229	100 ohm .25W 5%	C 2872-7
R230	180 ohm .25W 5%	C 2873-5
R231	5.6 ohm .5W 5%	C 3299-2
R235	180 ohm .25W 5%	C 2873-5
R236	5.6 ohm .5W 5%	C 3299-2
R237	180K ohm .25W 5%	C 4218-1
R242	13K ohm .25W 5%	C 4300-7
R243	13K ohm .25W 5%	C 4300-7

## D-150A II MAIN MODULE Q41603J3 (cont'd)

<u>LOCATION #</u>	<u>DESCRIPTION</u>	<u>PART #</u>
<i>TRANSISTORS</i>		
Q1	SEL 2N3859 NPN	D 2961-7
Q2	2N4250A PNP	C 3786-8
Q100	SEL 2N3859 NPN	D 2961-7
Q101	PN4250A PNP	C 3786-8
Q102	MPS93 PNP	C 3578-9
Q103	SEL 2N3859 NPN	D 2961-7
Q104	2N4125 PNP	C 3625-8
Q105	MPSL01 NPN	C 3232-3
Q106	SEL 2N3859 NPN	D 2961-7
Q107	D40P3 NPN	C 5065-5
Q108	2N4125 PNP	C 3625-8
Q111	SEL 2N3859 NPN	D 2961-7
Q112	SS 7304	D 2923-7
Q200	SEL 2N3859 NPN	D 2961-7
Q201	PN4250A PNP	C 3786-8
Q202	MPS93 PNP	C 3578-9
Q203	SEL 2N3859 NPN	D 2961-7
Q204	2N4125 PNP	C 3625-8
Q205	MPSL01 NPN	C 3232-3
Q206	SEL 2N3859 NPN	D 2961-7
Q207	D40P3 NPN	C 5065-5
Q208	2N4125 PNP	C 3625-8
Q211	SEL 2N3859 NPN	D 2961-7
Q212	SS 7304	D 2923-7

*MISCELLANEOUS*

14 Pin IC Socket	C 3450-1
Heatsink T0-92	C 3493-1
D-Clips T0-92	C 3953-4
PC Board Mount	F 9562-4



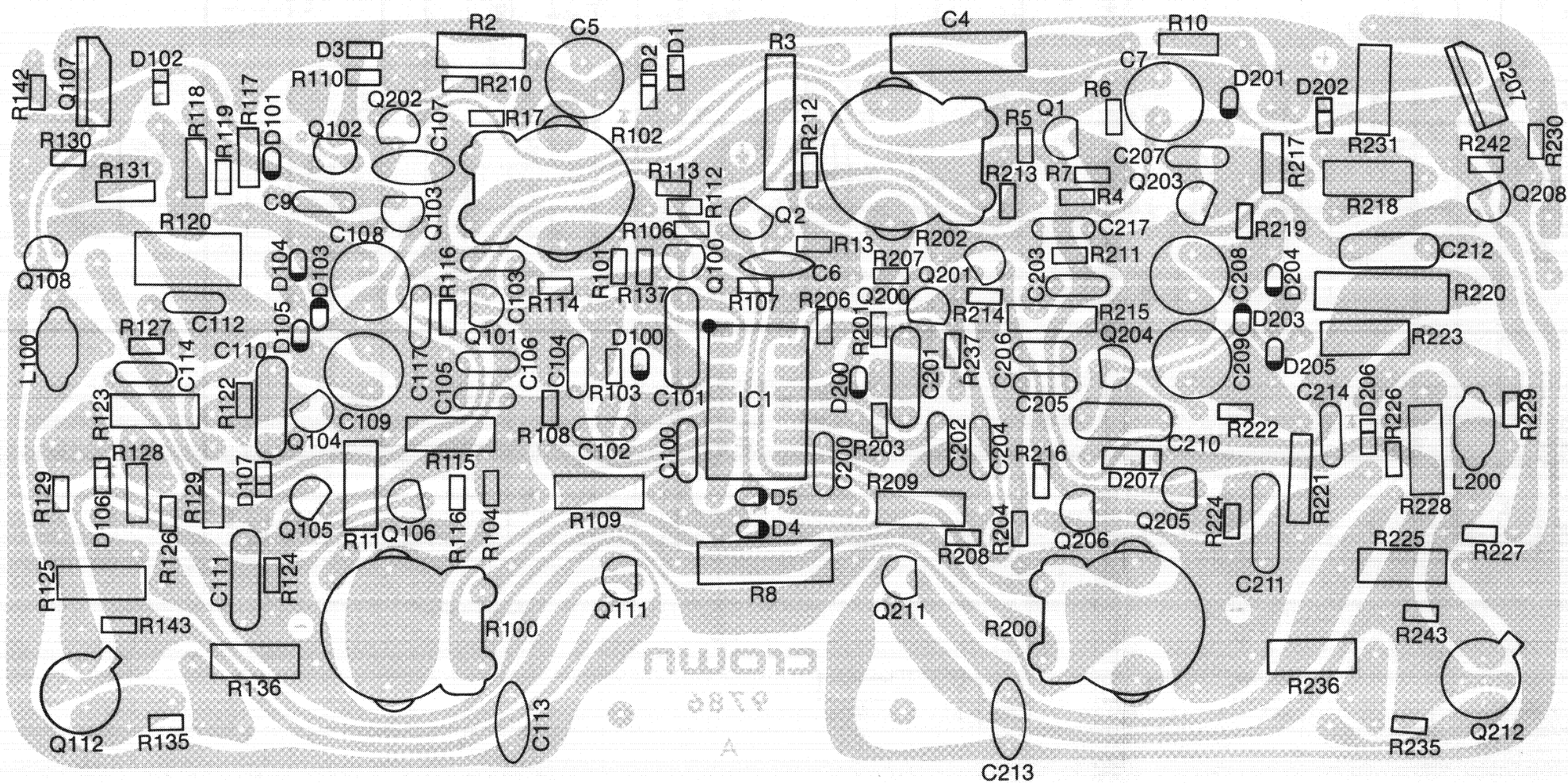


Illustration 7-5  
Main Module Q41603J3 Component Board Layout  
(S/N 51024 through 59428)

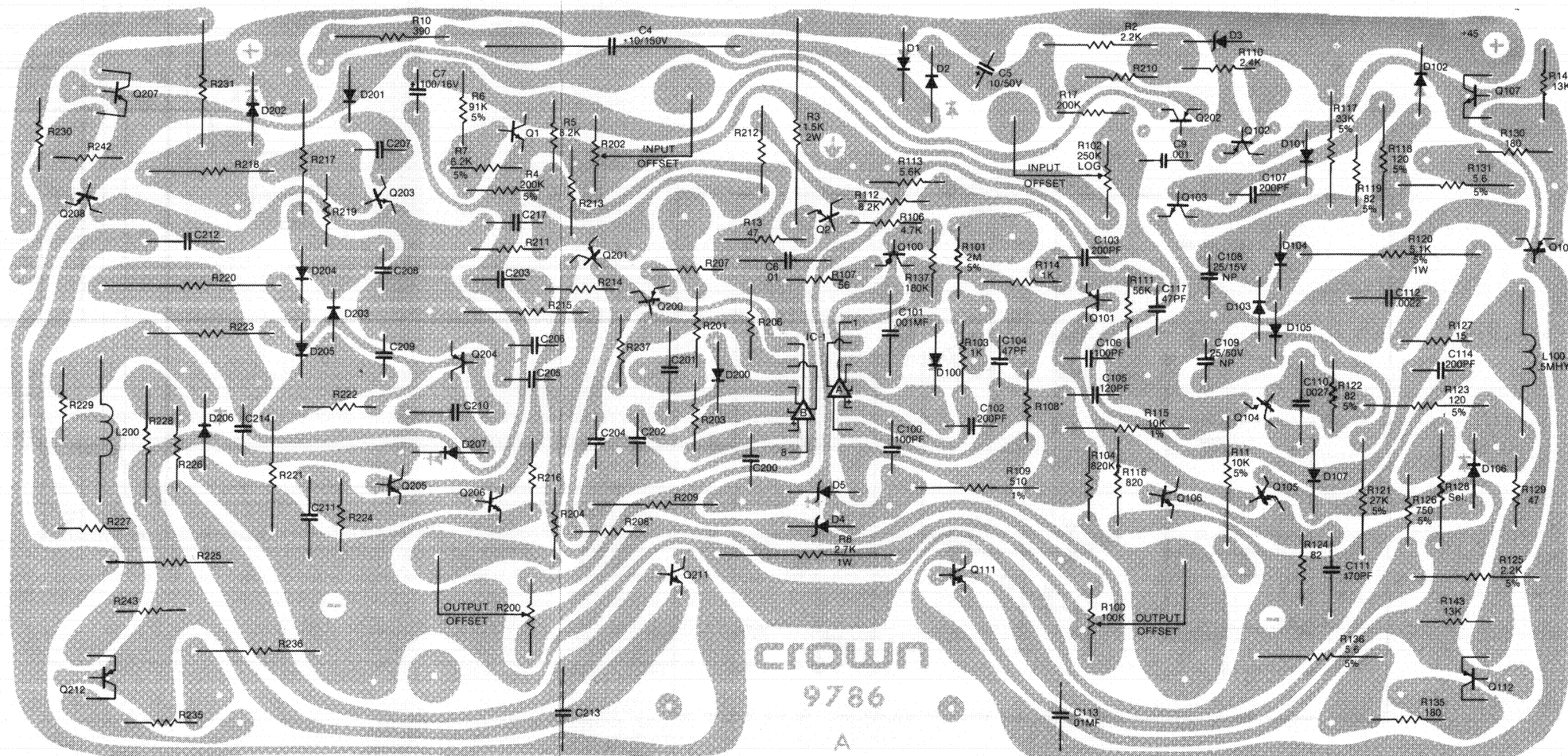


Illustration 7-6  
Main Module Q41603J3 Foil Board Layout  
(S/N 51024 through 59428)

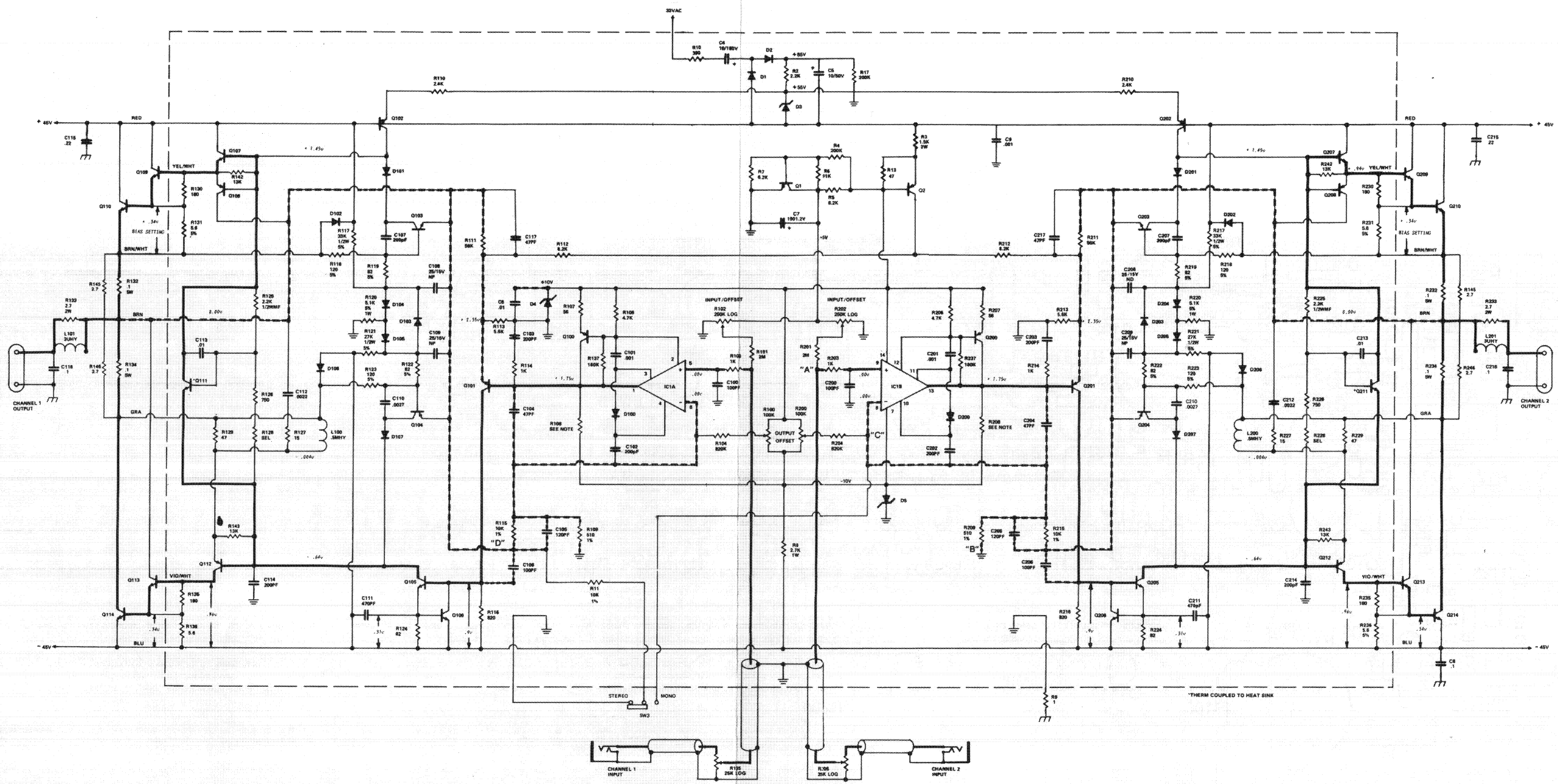
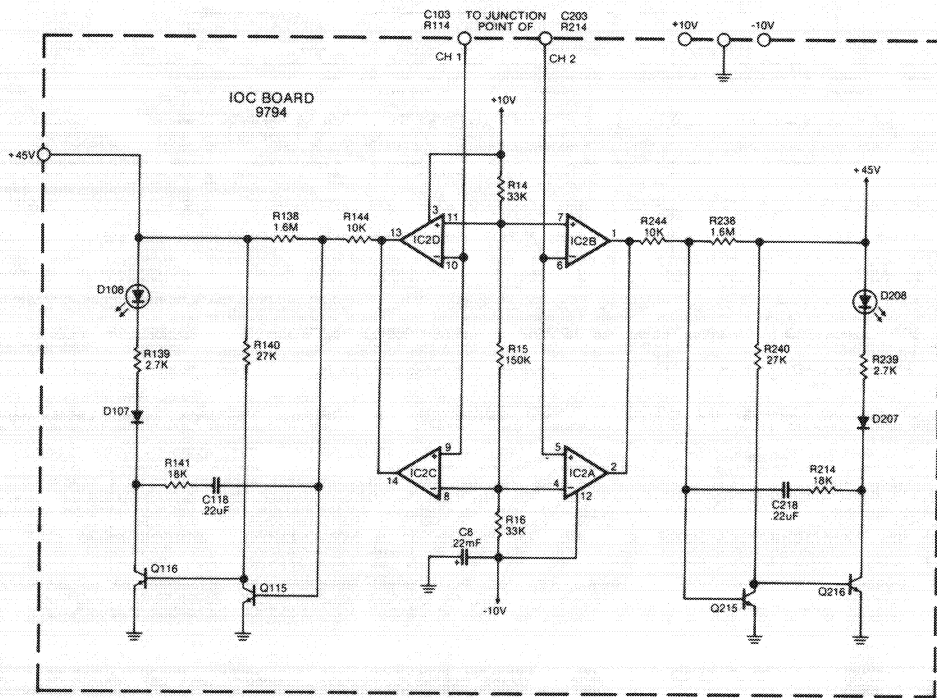
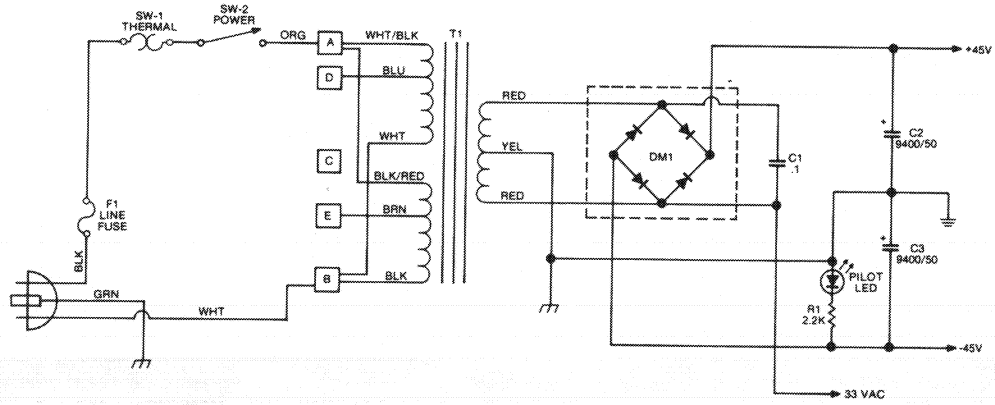


Illustration 7-7  
 Main Module Q41603J Schematic  
 (S/N 51024 through 59428)

**D150A SERIES II  
 POWER AMPLIFIER  
 MI 261F**

A  
B  
C  
D  
E  
F  
G  
H  
I  
J



**NOTES:**

- THIS IS A REPRESENTATIVE SCHEMATIC ONLY AND DOES NOT NECESSARILY REFLECT THE EXACT CIRCUITRY OF YOUR UNIT. REFER TO SERVICE MANUAL FOR FURTHER TECHNICAL INFORMATION.
- THIS SCHEMATIC APPLIES TO AMPLIFIERS NUMBERED 51024 AND ABOVE.
- CIRCUIT SHOWN APPLIES TO PC BOARDS #9786 (MAIN BOARD) AND #9794 (IOC BOARD).
- DC VOLTAGES ARE SHOWN FOR VARIOUS POINTS. THESE ARE NORMAL OPERATING VOLTAGES FOR ZERO INPUT.
- WIRE COLOR CODES ARE GIVEN FOR THE MAIN POWER SUPPLY AND SOME BOARD WIRES.
- ALL RESISTORS IN OHMS UNLESS OTHERWISE STATED.
- ALL CAPACITORS IN MICRO-FARADS UNLESS OTHERWISE STATED.
- COMPONENTS COMMON TO BOTH CHANNELS ARE NUMBERED FROM 1 TO 99.
- CHANNEL ONE COMPONENTS ARE NUMBERED FROM 100 TO 199.
- CHANNEL TWO COMPONENTS ARE NUMBERED FROM 200 TO 299.
- R108, R208 ARE OMITTED WHEN IC-1 IS  $\mu$ A739; 3.3K WHEN  $\mu$ A749 IS USED.



## MAIN MODULE Q42531-6 (Serial #59665 and above)

<u>LOCATION #</u>	<u>DESCRIPTION</u>	<u>PART #</u>
CAPACITORS		
C4	10MF 160V	C 2796-8
C5	10MF 50V Vertical	C 3728-0
C6	.01MF Disc	C 1751-4
C9	.1MF Disc	C 5639-7
C10	.01MF Disc	C 1751-4
C100	100PF Mica	C 3410-5
C104	47PF Mica	C 3409-7
C105	120PF Mica	C 3290-1
C106	100PF Mica	C 3410-5
C107	200PF Mica	C 3411-3
C108	10MF 50V Vertical	C 3728-0
C109	10MF 50V Vertical	C 3728-0
C110	.0027MF 200V Film	C 3481-6
C111	470PF Mica	C 2511-1
C112	.001MF 200V Film	C 3480-8
C113	.01MF Disc	C 1751-4
C114	200PF Mica	C 3411-3
C117	47PF Mica	C 3409-7
C118	.1MF	C 5639-7
C200	100PF Mica	C 3410-5
C204	47PF Mica	C 3409-7
C205	120PF Mica	C 3290-1
C206	100PF Mica	C 3410-5
C207	200PF Mica	C 3411-3
C208	10MF 50V Vertical	C 3728-0
C209	10MF 50V Vertical	C 3728-0
C210	.0027MF 200V Film	C 3481-6
C211	470PF Mica	C 2511-1
C212	.001MF 200V Film	C 3480-8
C213	.01MF Disc	C 1751-4
C214	200PF Mica	C 3411-3
C217	47PF Mica	C 3409-7
C218	.1MF	C 5639-7

## MAIN MODULE Q42531-6 (Serial #59665 and above) (cont'd)

<u>LOCATION #</u>	<u>DESCRIPTION</u>	<u>PART #</u>
<i>DIODES</i>		
D1	1N4004	C 2851-1
D2	1N4004	C 2851-1
D3	1N961B 10V Zener	C 3549-0
D4	1N961B 10V Zener	C 3549-0
D5	1N961B 10V Zener	C 3549-0
D7	1N4148	C 3181-2
D101	1N4148	C 3181-2
D102	1N4004	C 2851-1
D103	1N4148	C 3181-2
D104	1N4148	C 3181-2
D105	1N4148	C 3181-2
D106	1N4004	C 2851-1
D107	1N270	D 6212-1
D201	1N4148	C 3181-2
D202	1N4004	C 2851-1
D203	1N4148	C 3181-2
D204	1N4148	C 3181-2
D205	1N4148	C 3181-2
D206	1N4004	C 2851-1
D207	1N270	D 6212-1
<i>INTEGRATED CIRCUITS</i>		
U1	LM339N	C 4345-2
U100	LF357N	C 6527-3
U200	LF357N	C 6527-3
L100	.5 Microhenry Coil	C 3510-2
L200	.5 Microhenry Coil	C 3510-2
<i>RESISTORS</i>		
R1	2.2K ohm .5W 5%	C 1036-0
R2	2.2K ohm .5W 5%	C 1036-0
R3	1.5K ohm 2W 10%	C 3303-2
R8	1.5K ohm 2W 10%	C 3303-2
R10	390 ohm .5W 5%	C 2609-3
R11	10K ohm .5W 1%	C 2343-9
R14	33K ohm .25W 5%	C 4346-0
R15	150K ohm .25W 5%	C 4216-5
R16	33K ohm .25W 5%	C 4346-0
R17	200K ohm .25W 5%	C 3622-5