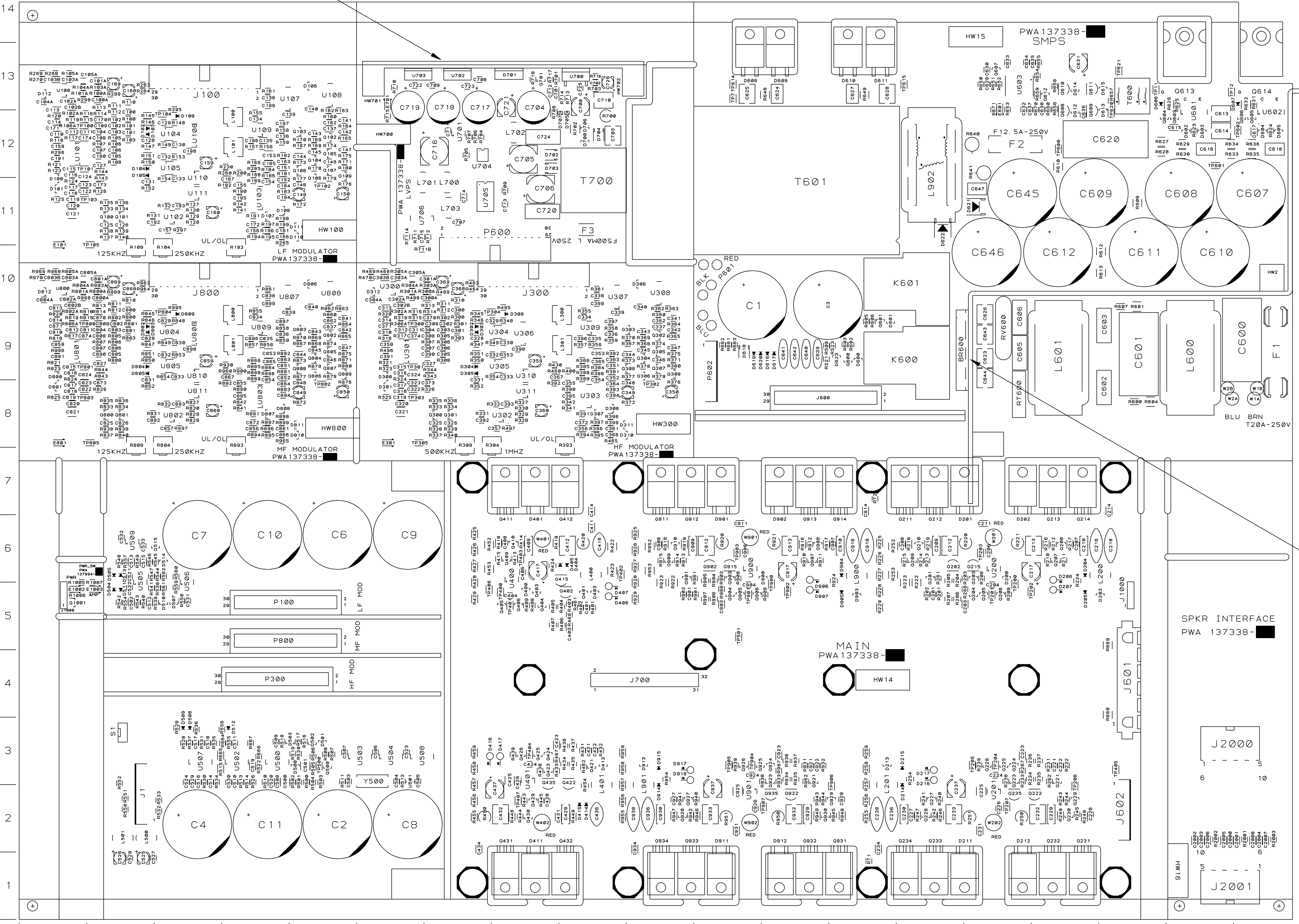
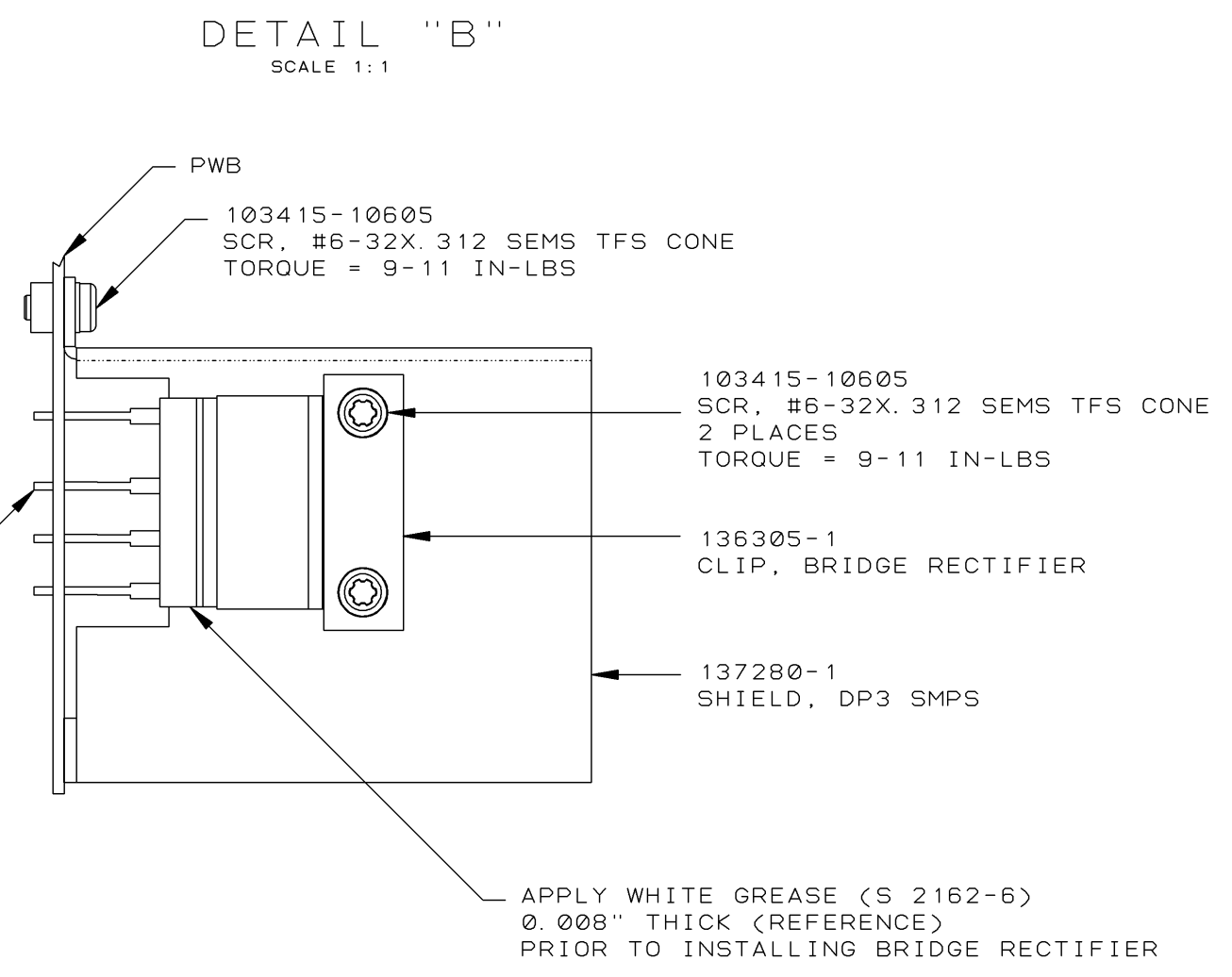
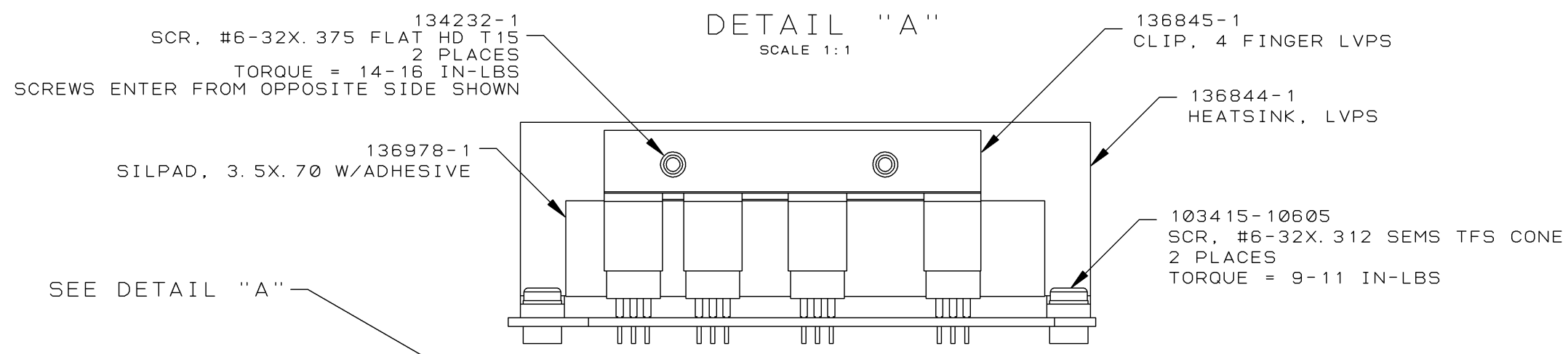


REVISION HISTORY					
E. C. N.	ZONE	REV	DESCRIPTION	DATE	APPROVED
		4	SEE 137338-1.4.XLS FOR COMPONENT DATA AND REVISION HISTORY.	01-05-05	KLW
					EB

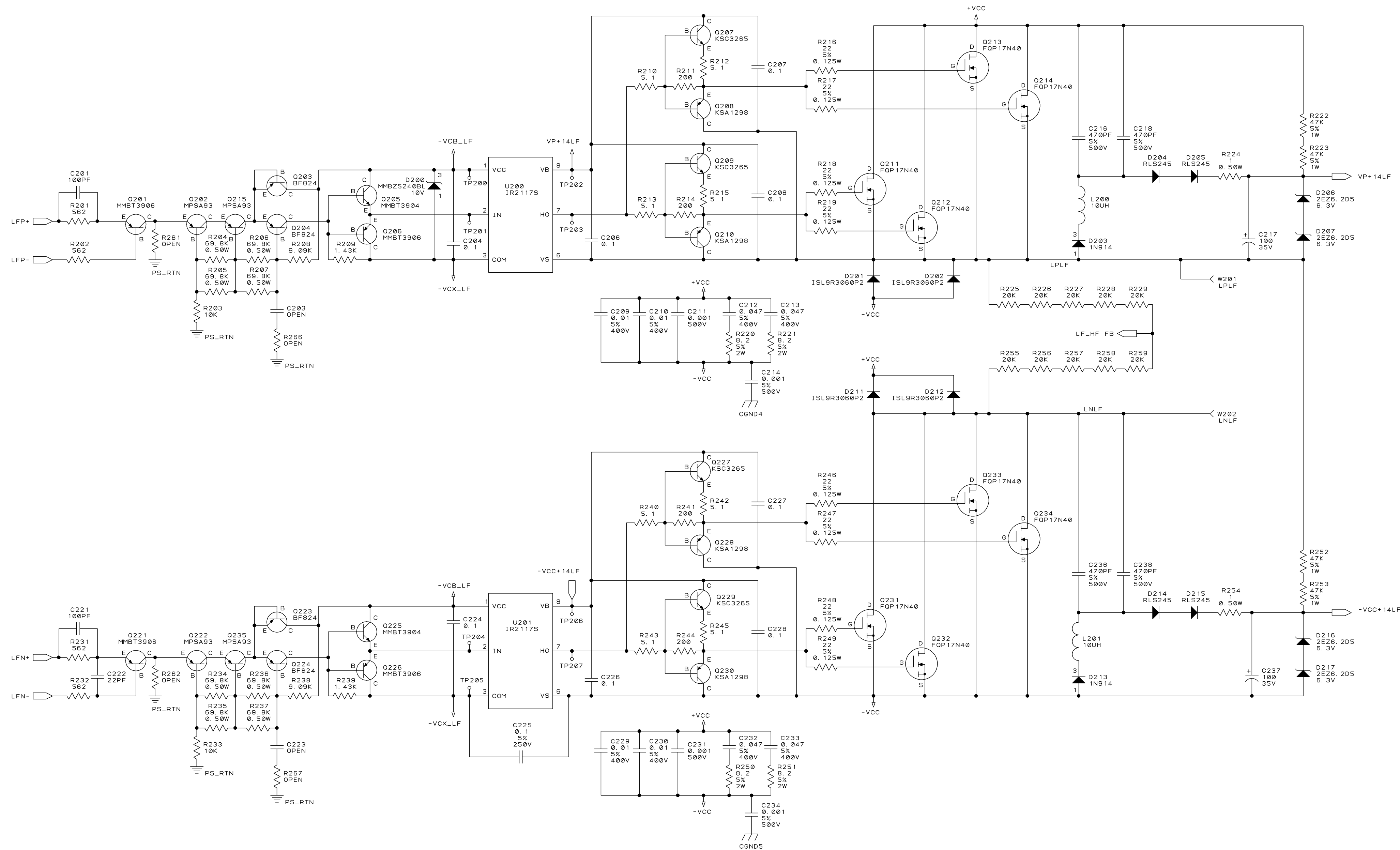


UNCONTROLLED
UNLESS OTHERWISE MARKED IN RED INK BY CH AS A CONTROLLED COPY, COPIES OF THESE DOCUMENTS INCLUDING ASSOCIATED ELECTRONIC REPRODUCTIONS ARE FOR REFERENCE ONLY.

THESE DRAWINGS AND SPECIFICATIONS ARE THE PROPERTY OF CROWN INTERNATIONAL, INC. AND SHALL NOT BE REPRODUCED, COPIED, OR USED AS THE BASIS FOR THE MANUFACTURE OR SALE OF APPARATUS OR DEVICES WITHOUT PERMISSION.

DWN	KLW	01-05-05	 CROWN INTERNATIONAL, INC.	1718 W. MISHAWAKA RD. ELKHART IN, 46517 PHONE 574-234-9800 WWW.CROWNAD10.COM
CH				
PE	EB	01-05-05		
DISTRIBUTION			TITLE	
FILENAME			PWA, DP3 PANEL	
TOLERANCE UNLESS OTHERWISE SPECIFIED			SIZE	DWG NO.
.00 = .102"			D	137338-1
.000 = .1018"			SCALE	REV
DRILLS = .1003"			NONE	4
DO NOT SCALE DRAWING			PROJ NO.	MD45500
			SHEET	1 OF 10

LF CHANNEL

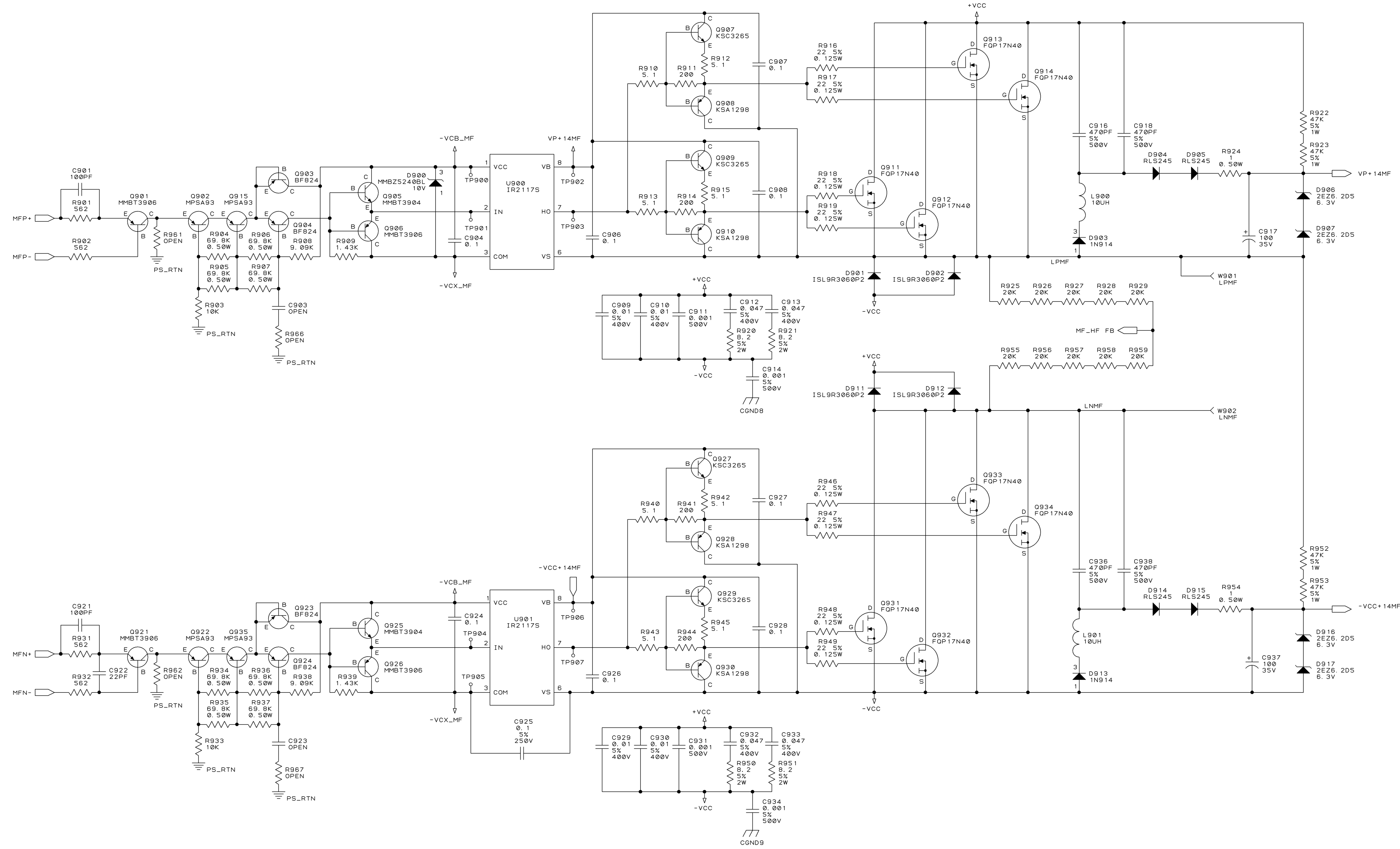


- NOTES:
1. ALL RESISTORS ARE IN OHMS. 0.10W. 1% UNLESS OTHERWISE SPECIFIED.
 2. ALL CAPACITORS ARE IN MICROFARADS UNLESS OTHERWISE SPECIFIED.
 3. SEE 137338-1.4.XLS FOR PWA DATA AND REVISION HISTORY.

DP3 LF CHANNEL

UNCONTROLLED		THESE DRAWINGS AND SPECIFICATIONS ARE THE PROPERTY OF CROWN INTERNATIONAL, INC. AND SHALL NOT BE REPRODUCED, COPIED, OR USED AS THE BASIS FOR THE MANUFACTURE OR SALE OF APPARATUS OR DEVICES WITHOUT PERMISSION.		SCALE NONE	PROJ NO. MD45500	SHEET 2 OF 10
SIZE DWG NO.	D 137338-1	REV	4			

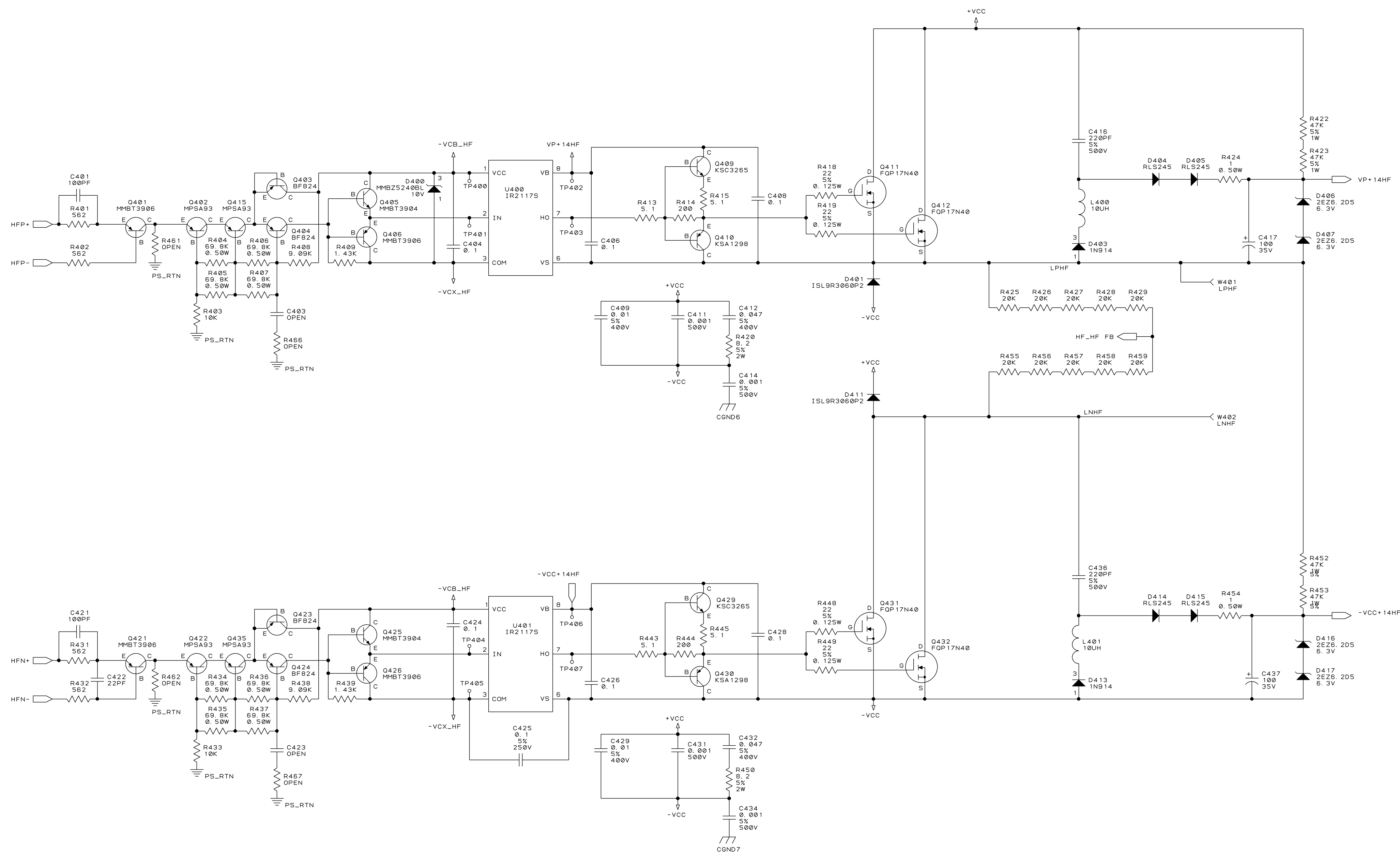
MF CHANNEL



DP3 MF CHANNEL

UNCONTROLLED		THESE DRAWINGS AND SPECIFICATIONS ARE THE PROPERTY OF CROWN INTERNATIONAL, INC. AND SHALL NOT BE REPRODUCED, COPIED, OR USED AS THE BASIS FOR THE MANUFACTURE OR SALE OF APPARATUS OR DEVICES WITHOUT PERMISSION.		SCALE NONE	PROJ NO. MD45500	SHEET 3 OF 10
SIZE DWG NO.	D 137338-1	REV	4			

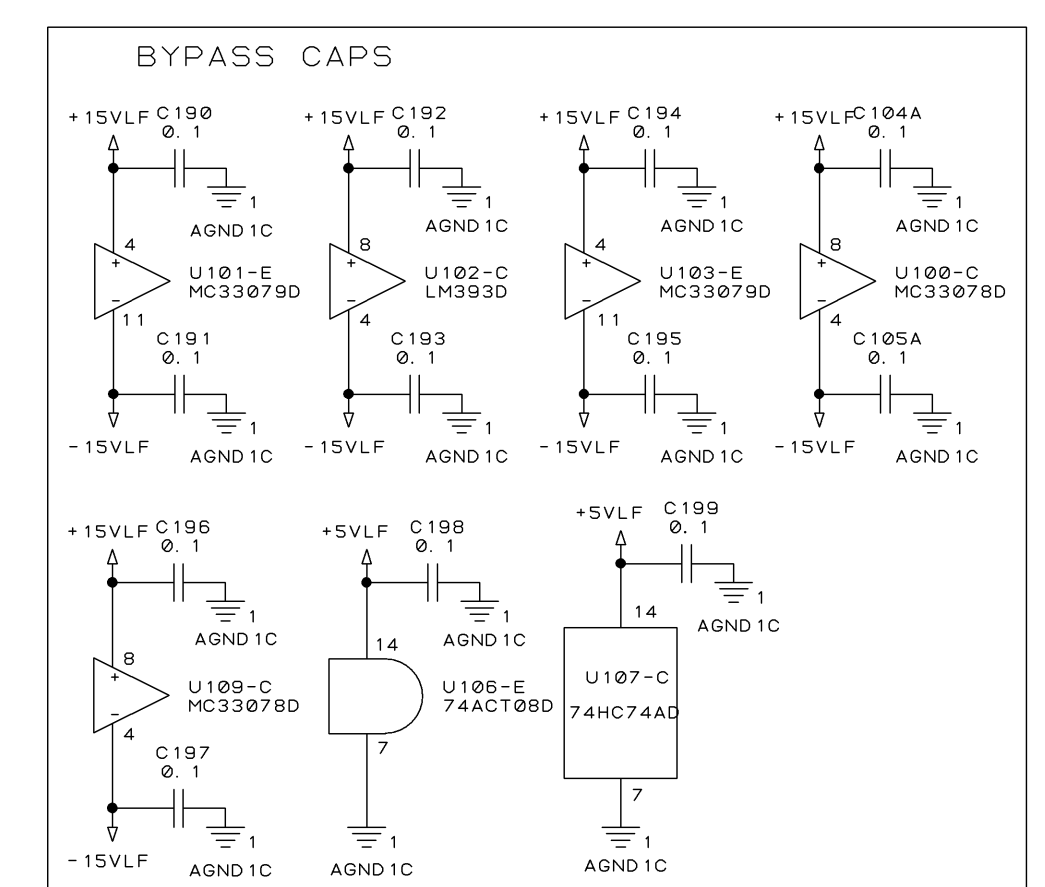
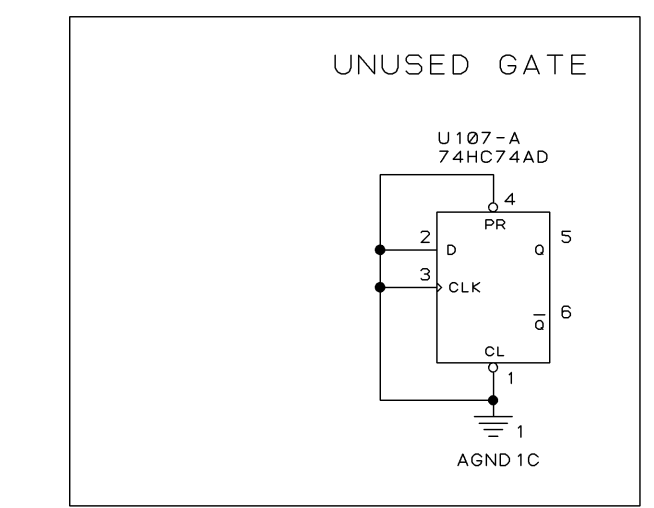
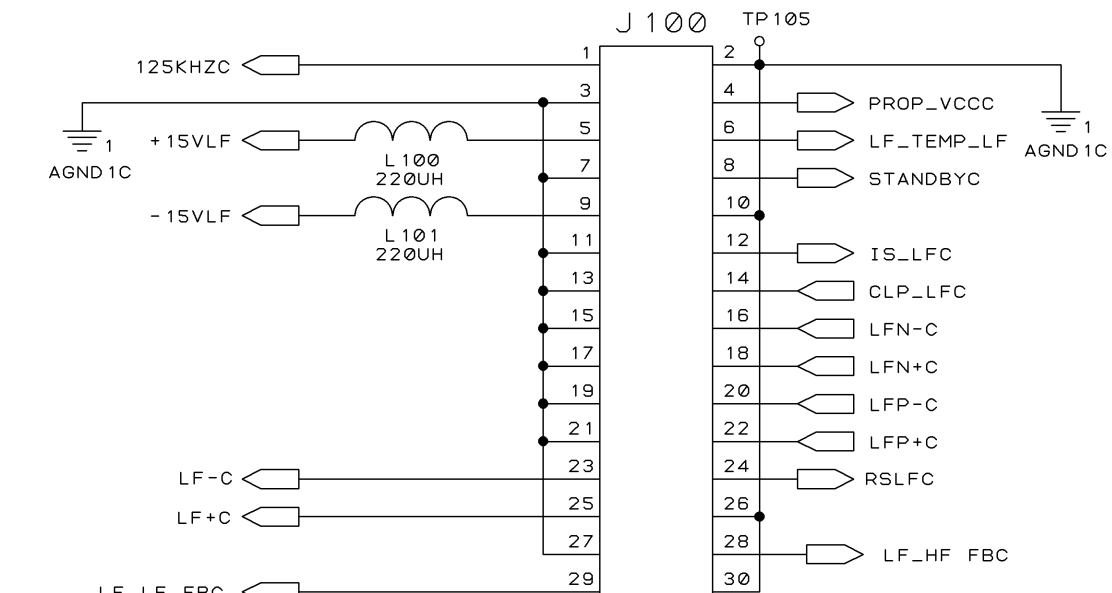
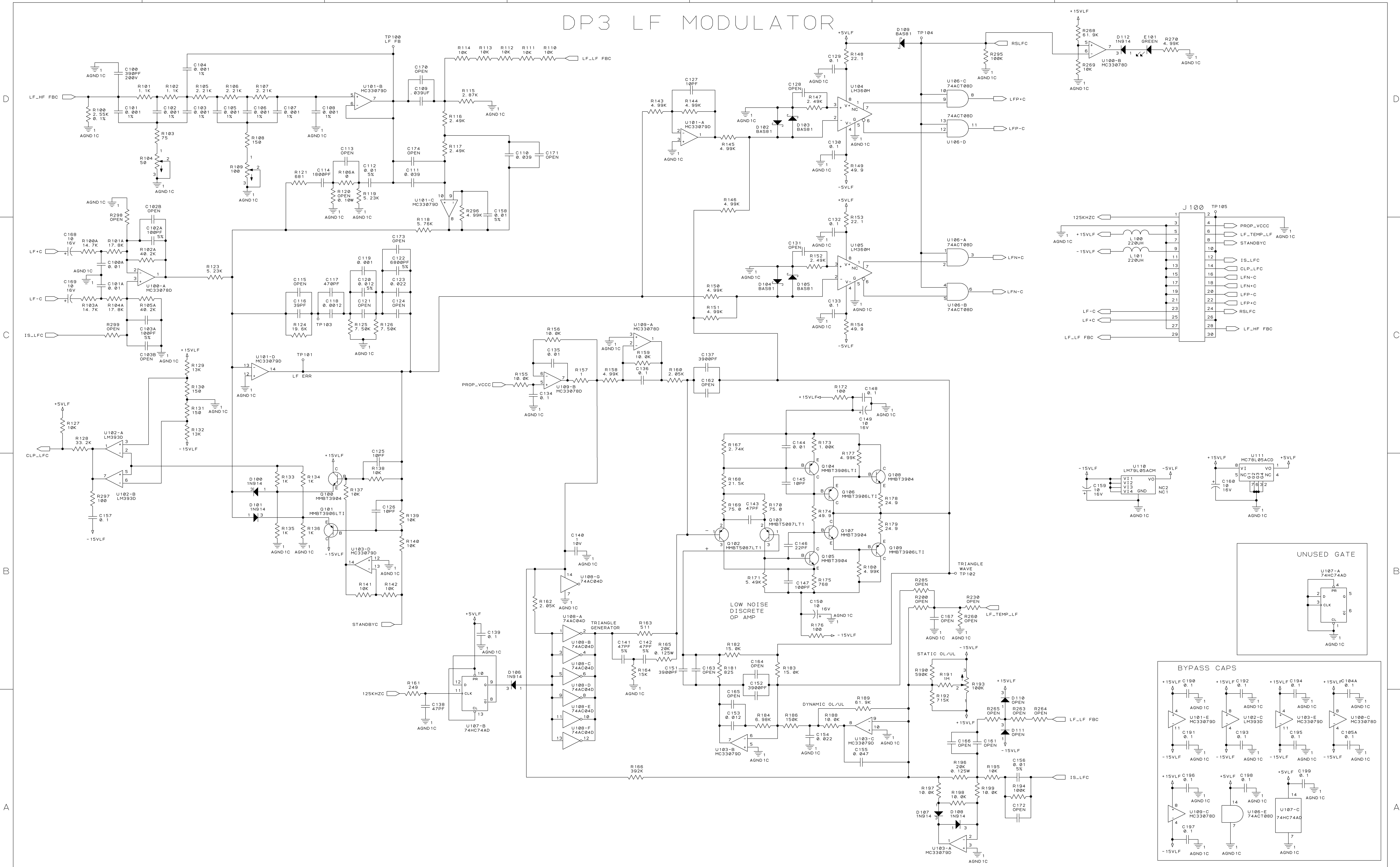
HF CHANNEL



DP3 HF CHANNEL

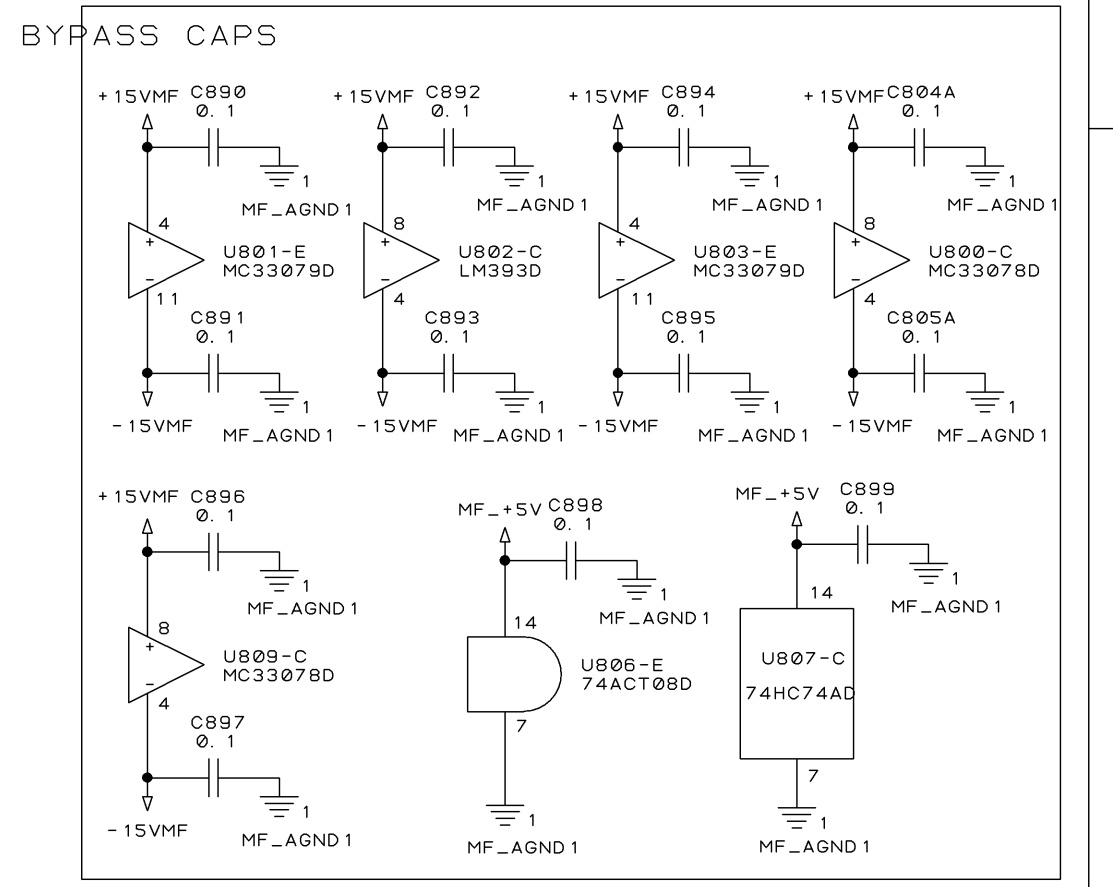
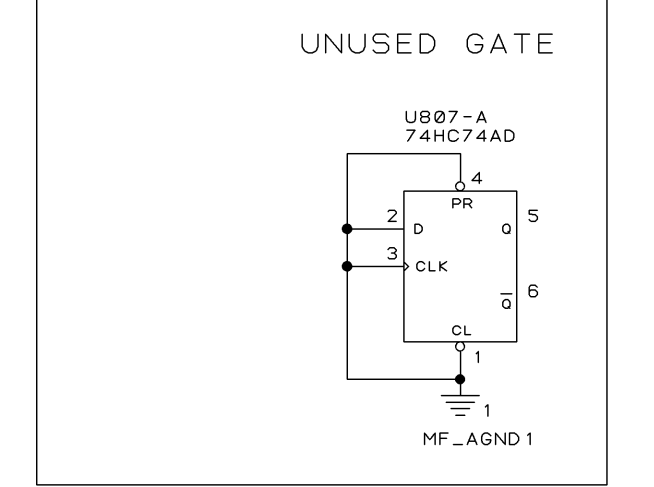
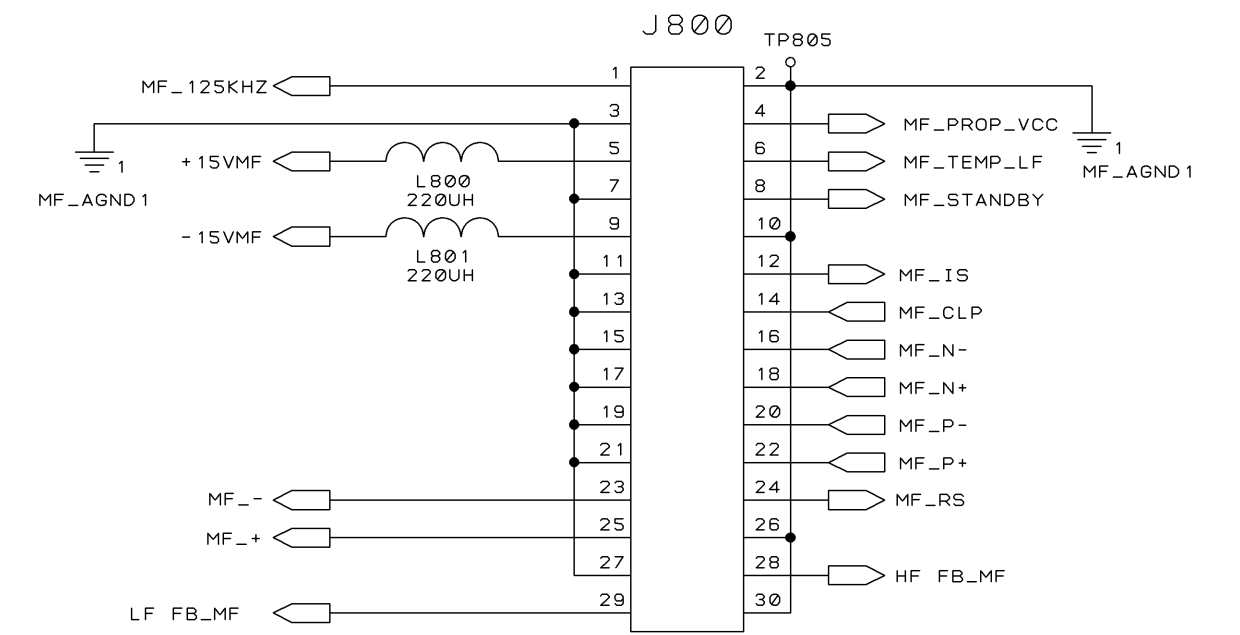
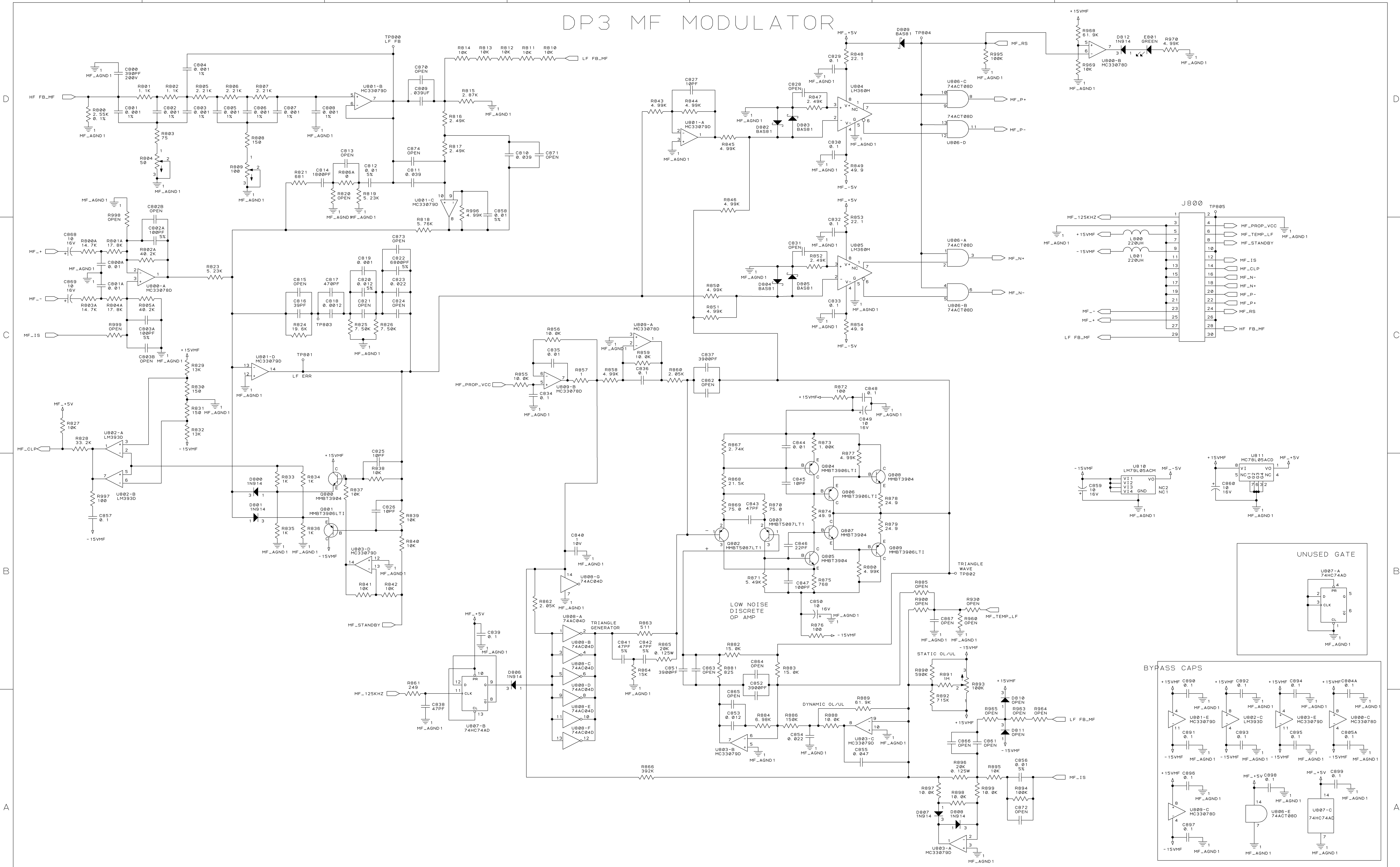
UNCONTROLLED		THESE DRAWINGS AND SPECIFICATIONS ARE THE PROPERTY OF CROWN INTERNATIONAL, INC. AND SHALL NOT BE REPRODUCED, COPIED, OR USED AS THE BASIS FOR THE MANUFACTURE OR SALE OF APPARATUS OR DEVICES WITHOUT PERMISSION.		SCALE NONE	PROJ NO. MD45500	SHEET 4 OF 10
SIZE	DWG NO.	137338-1		REV		4

DP3 LF MODULATOR



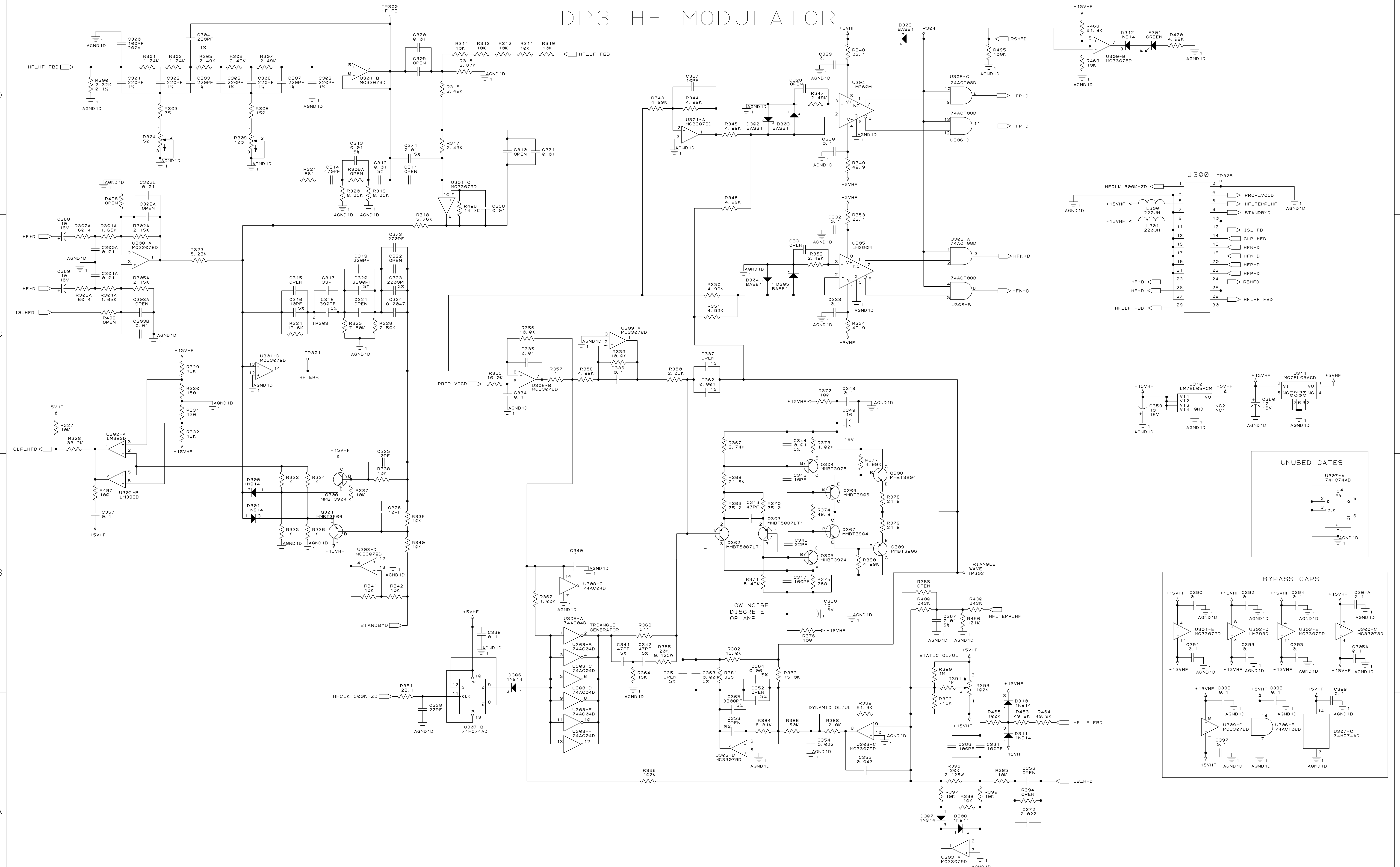
UNCONTROLLED		UNLESS OTHERWISE MARKED IN RED INK BY CH AS A CONTROLLED COPY. COPIES OF THESE DOCUMENTS INCLUDING ASSOCIATED ELECTRONIC REPRODUCTIONS ARE FOR REFERENCE ONLY.		THESE DRAWINGS AND SPECIFICATIONS ARE THE PROPERTY OF CROWN INTERNATIONAL, INC. AND SHALL NOT BE REPRODUCED, COPIED, OR USED AS THE BASIS FOR THE MANUFACTURE OR SALE OF APPARATUS OR DEVICES WITHOUT PERMISSION.	
SIZE	DWG NO.	137338-1		REV	4
SCALE	NONE	PROJ NO.	MD45500	SHEET	5 OF 10

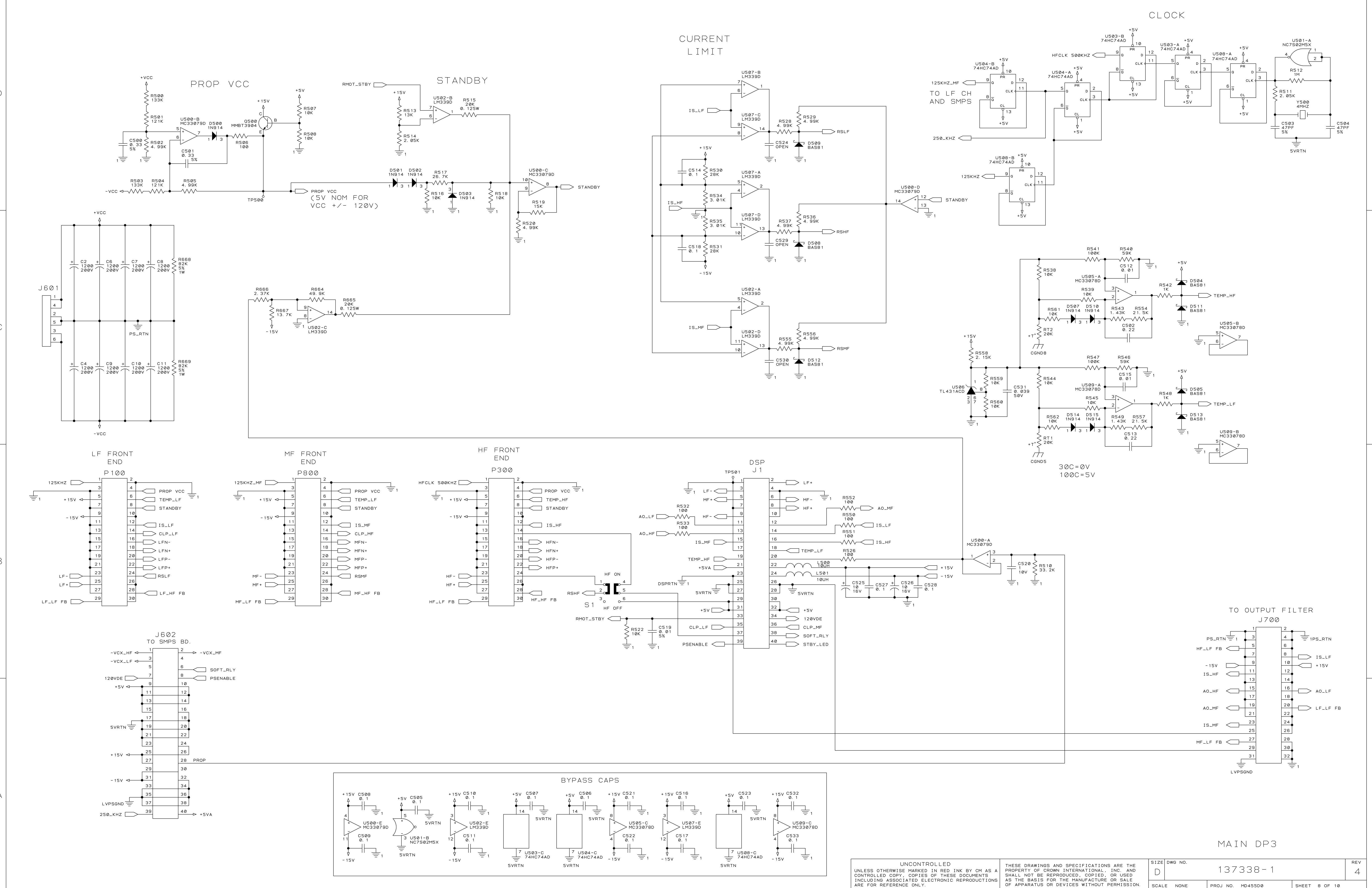
DP3 MF MODULATOR



<p>UNCONTROLLED</p> <p>UNLESS OTHERWISE MARKED IN RED INK BY CH AS A CONTROLLED COPY, COPIES OF THESE DOCUMENTS INCLUDING ASSOCIATED ELECTRONIC REPRODUCTIONS ARE FOR REFERENCE ONLY.</p>	<p>THESE DRAWINGS AND SPECIFICATIONS ARE THE PROPERTY OF CROWN INTERNATIONAL, INC. AND SHALL NOT BE REPRODUCED, COPIED, OR USED AS THE BASIS FOR THE MANUFACTURE OR SALE OF APPARATUS OR DEVICES WITHOUT PERMISSION.</p>	<p>SIZE DWG NO. 137338-1</p> <p>SCALE NONE</p> <p>PROJ NO. MD45500</p> <p>SHEET 6 OF 10</p>	<p>REV 4</p>
---	--	---	--------------

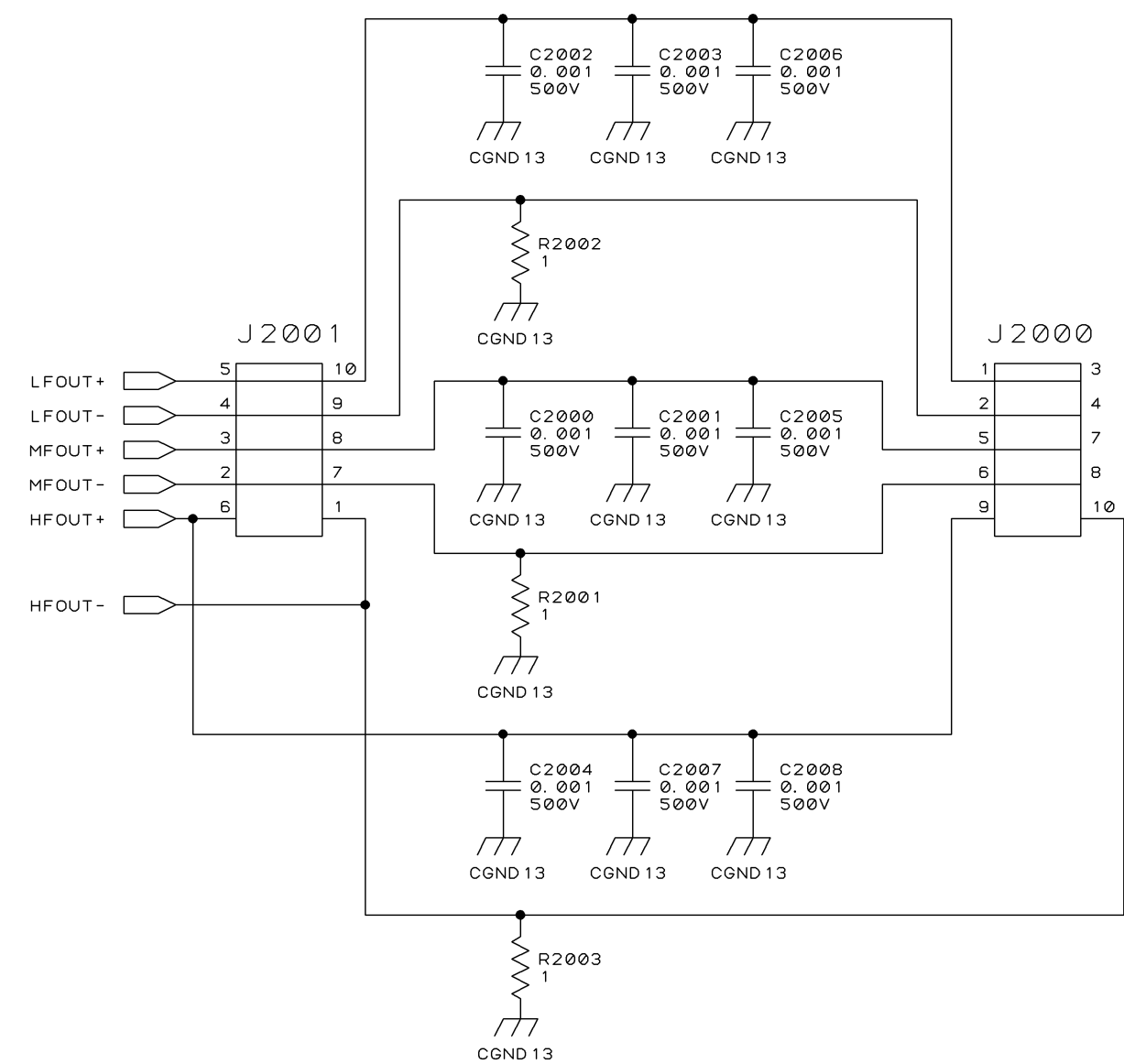
DP3 HF MODULATOR



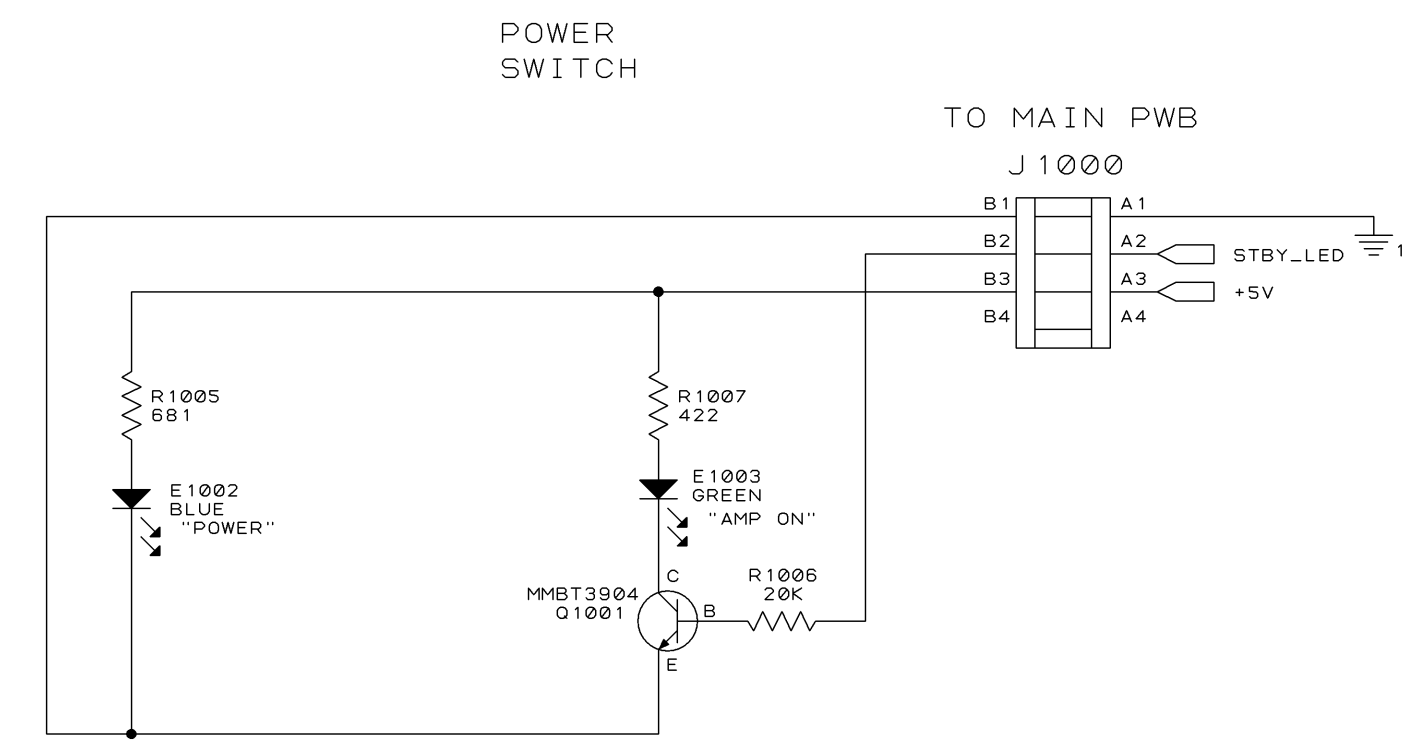


MAIN DP3

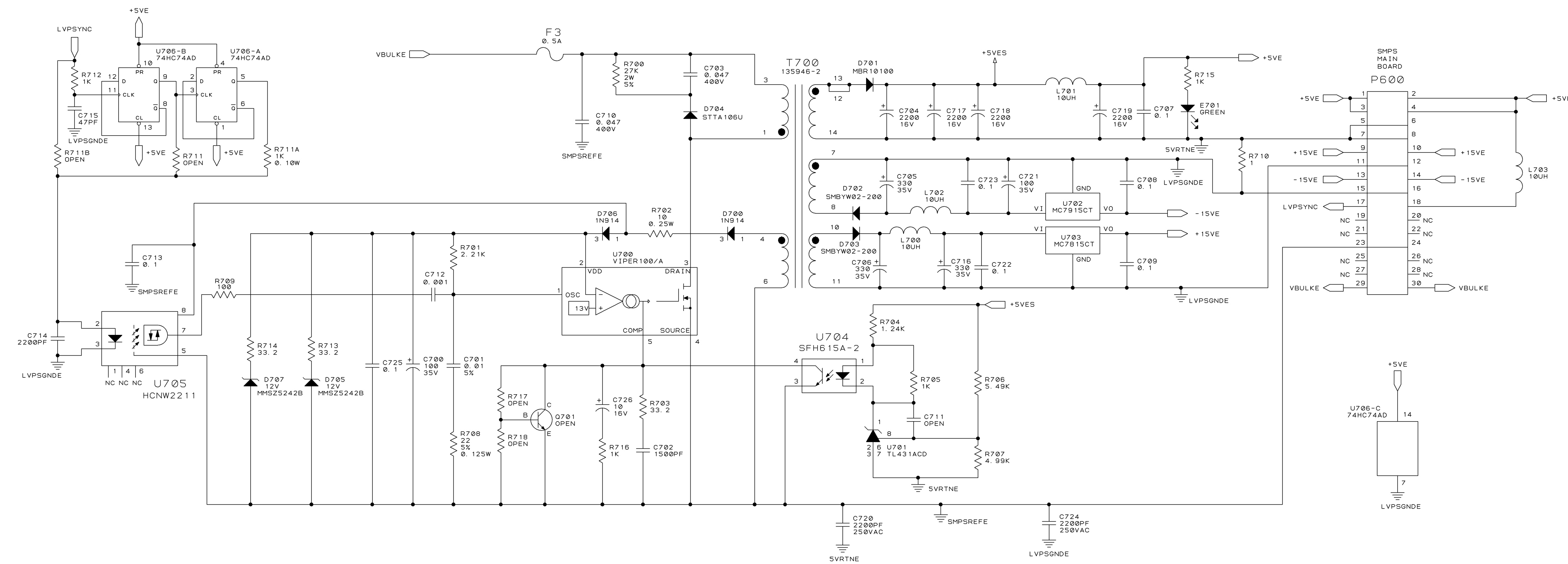
SPEAKER INTERFACE



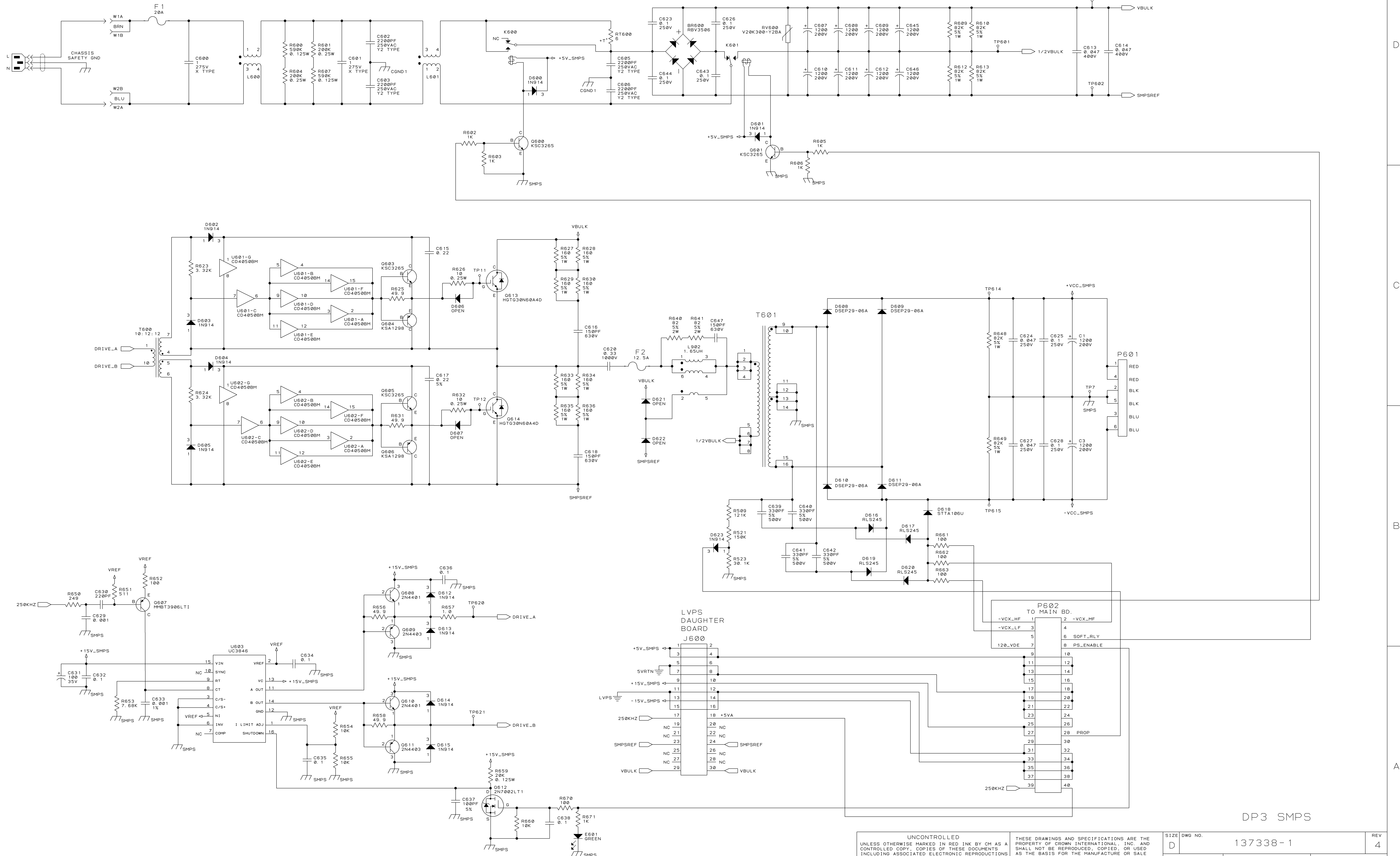
POWER SWITCH/DISPLAY



LVPS



DP3 SMPS



DP3 SMPS

UNCONTROLLED		THESE DRAWINGS AND SPECIFICATIONS ARE THE PROPERTY OF CROWN INTERNATIONAL, INC. AND SHALL NOT BE REPRODUCED, COPIED, OR USED AS THE BASIS FOR THE MANUFACTURE OR SALE OF APPARATUS OR DEVICES WITHOUT PERMISSION.		SIZE DWG NO.	137338-1	REV	4
D	SCALE NONE	PROJ NO.	MD45500	SHEET	10 OF 10		