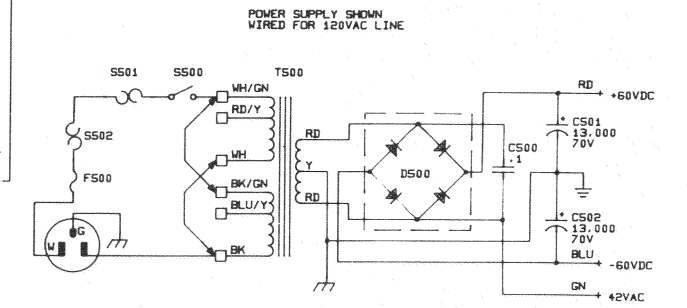


**NOTE:**  
 THIS IS A REPRESENTATIVE SCHEMATIC ONLY AND DOES NOT NECESSARILY REFLECT THE EXACT CIRCUITRY OF YOUR UNIT. PLEASE REFER TO THE RESPECTIVE SERVICE MANUAL FOR FURTHER TECHNICAL INFORMATION.

- NOTE:**
1. ALL RESISTORS IN OHMS, CAPACITORS IN MICROFARADS UNLESS OTHERWISE SPECIFIED.
  2. ALL RESISTORS .25W, 5% UNLESS OTHERWISE SPECIFIED.
  3. THIS SCHEMATIC APPLIES TO UNITS WITH S/N 81324 AND FOLLOWING.
  4. MAIN FEEDBACK PATH DENOTED BY HEAVY TRACE.
  5. CHANNEL 1 MAIN BOARD COMPONENTS NUMBERED 100-199.
  6. CHANNEL 2 MAIN BOARD COMPONENTS NUMBERED 200-299.
  7. COMMON MAIN BOARD COMPONENTS NUMBERED 1-99.
  8. CHANNEL 1 OUTPUT BOARD COMPONENTS NUMBERED 300-399.
  9. CHANNEL 2 OUTPUT BOARD COMPONENTS NUMBERED 400-499.
  10. OTHER COMPONENTS NUMBERED 500-599.



**DC-300A II  
 J0124-8**