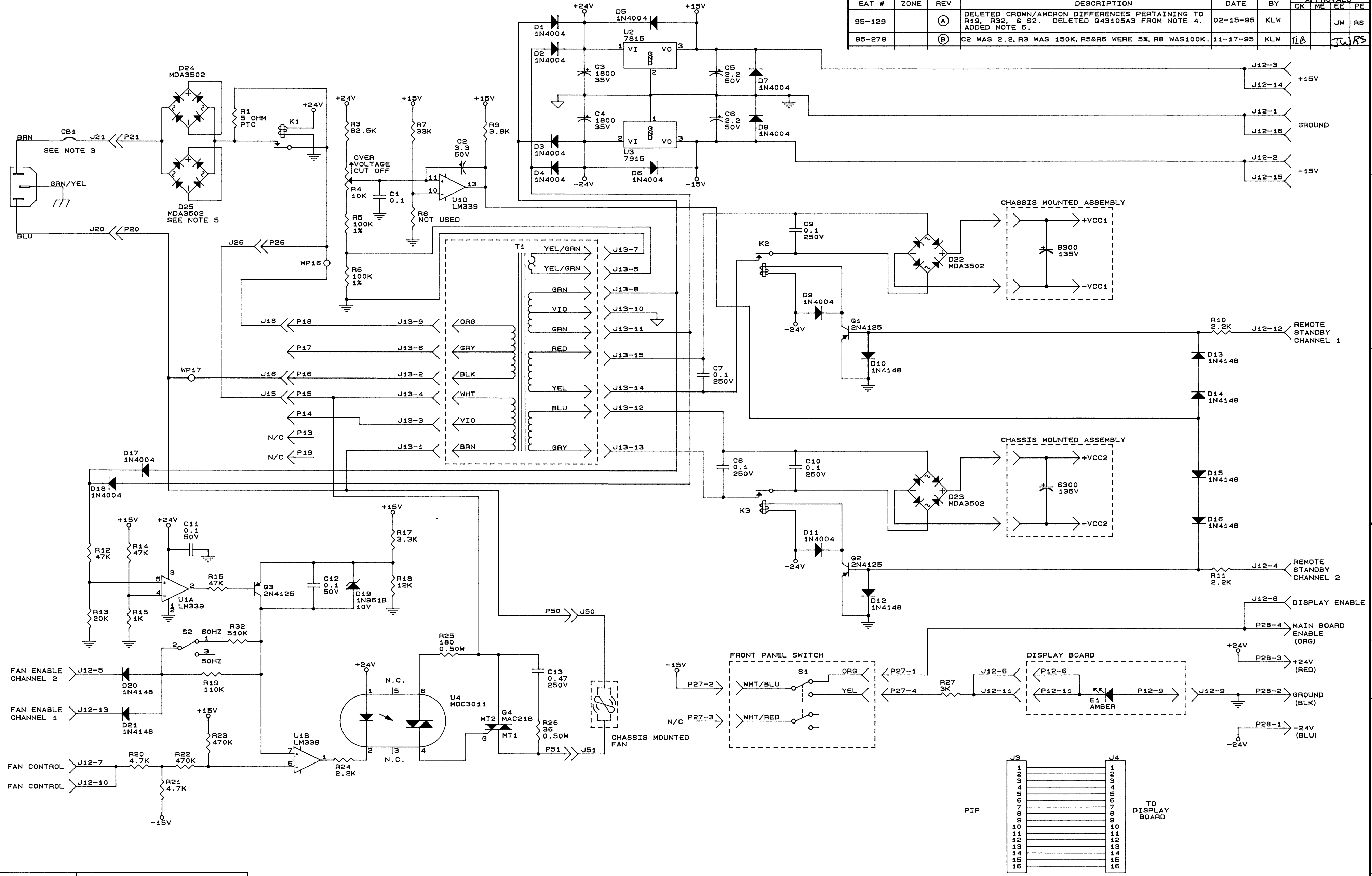
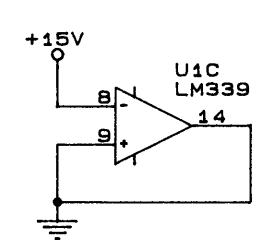


EAT #	ZONE	REV	DESCRIPTION	DATE	BY	APPROVALS
95-129		(A)	DELETED CROWN/AMCRON DIFFERENCES PERTAINING TO R19, R32, & S2. DELETED Q43105A3 FROM NOTE 4.	02-15-95	KLW	JW RS
95-279		(B)	C2 WAS 2.2, R3 WAS 150K, R5&R6 WERE 5%, R8 WAS 100K.	11-17-95	KLW	TLB JW RS



LAST USED	OBSOLETE
CB1	
C19	14-19
D25	
E1	
K3	
Q4	
R32	2, 28-31
S2	
T1	
U4	
WP17	1-15

UNUSED ELEMENTS



NOTES :

- ALL RESISTORS ARE IN OHMS, 1/4W, 5% UNLESS OTHERWISE SPECIFIED.
- ALL CAPACITORS ARE IN MICROFARADS UNLESS OTHERWISE SPECIFIED.
- CIRCUIT BREAKER RATINGS:
30 AMP / 100V - 120V
15 AMP / 220V - 240V
- MODULE DOCUMENT AND P.C. BOARD FOR THIS SCHEMATIC ARE:
Q43450-8 AND D 8853-0.
- NOT USED ON REF.2.

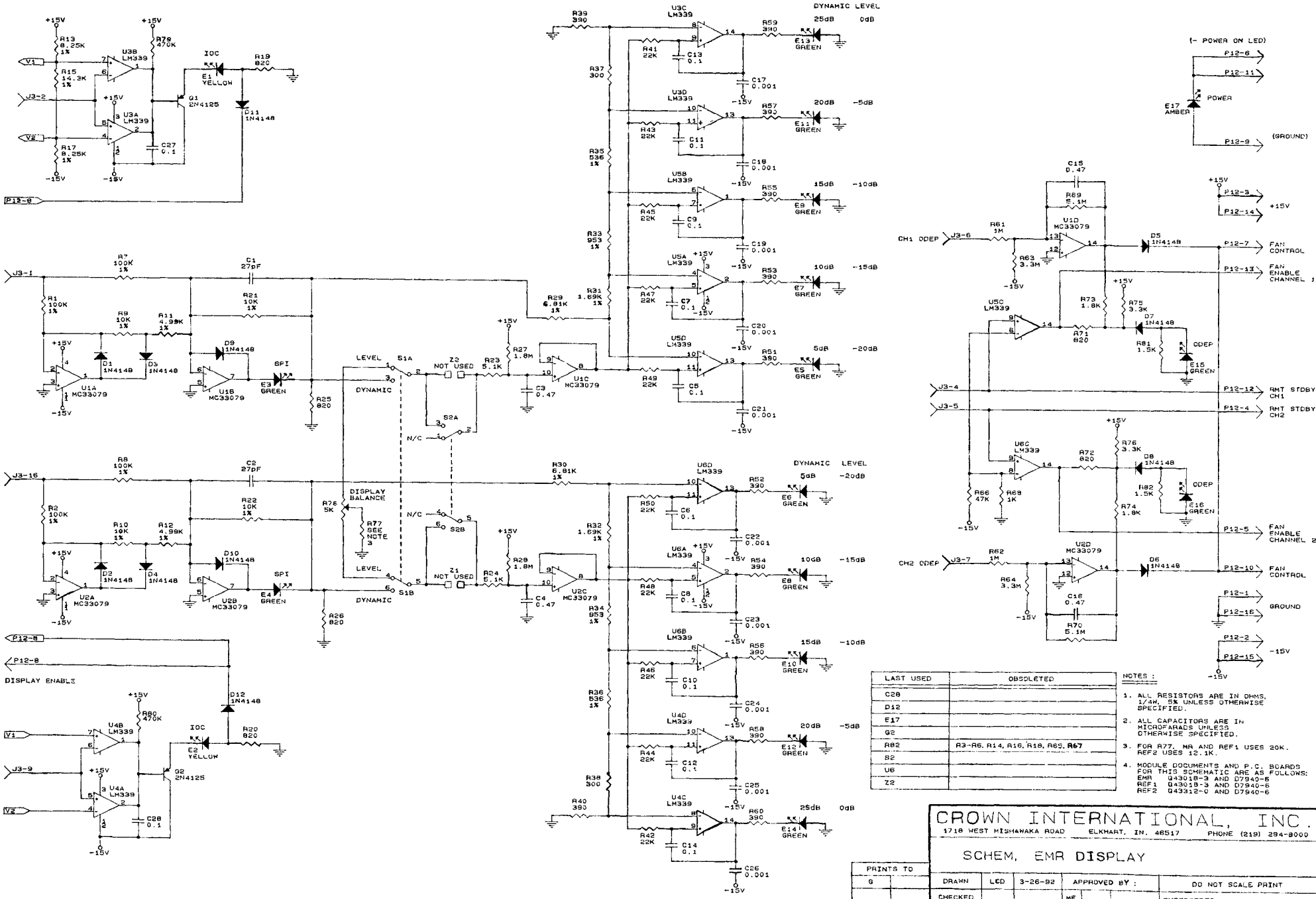
CROWN INTERNATIONAL, INC.
1718 WEST MISHAWAKA ROAD ELKHART, IN. 46517 PHONE (219) 294-8000

SCHEM, REF CONTROL

PRINTS TO		DRAWN	KLW	12-20-94	APPROVED BY :	DO NOT SCALE PRINT
G		CHECKED	TLB	6-12-95	ME	SUPERSEDES J0558-7
		SCALE	NONE	EE	JW	6-12-95
		PROJ #	D182	PE		E.C.N.
		NEXT ASSEMBLY				C.P.N.

J0558A5 (B)

EAT #	ZONE	REV	DESCRIPTION	DATE	BY	CHK	APPROVALS
		(A)	ADDED NOTES 3 & 4 AND Z1 & Z2.	06-01-95	KLW	TLB	PE EB
		(B)	REVISED SCHEMATIC TO MATCH P.C. BOARD.	11-30-95	KLW		RS



LAST USED	OBSOLETE	NOTES :
C28		1. ALL RESISTORS ARE IN OHMS, 1/4W, 5% UNLESS OTHERWISE SPECIFIED.
D12		
E17		
G2		
R82	R3-R6, R14, R16, R18, R65, R67	2. ALL CAPACITORS ARE IN MICROFARADS UNLESS OTHERWISE SPECIFIED.
B2		
U6		3. FOR R77, NR AND REF1 USES 20K. REF2 USES 12.1K.
Z2		
		4. MODULE DOCUMENTS AND P.C. BOARDS FOR THIS SCHEMATIC ARE AS FOLLOWS: EMR 043018-3 AND D7940-6 REF1 043018-3 AND D7940-6 REF2 043312-0 AND D7940-6

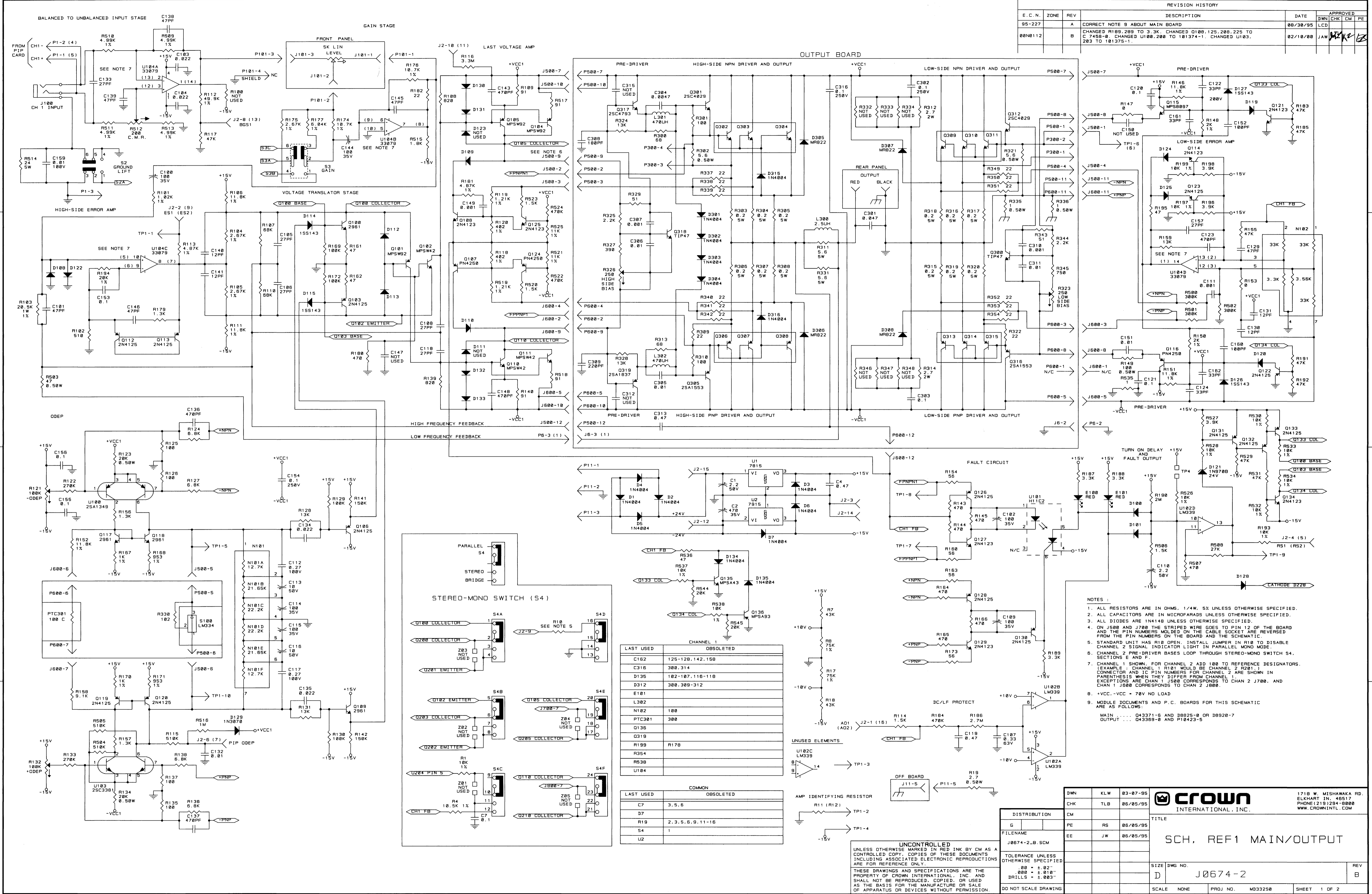
CROWN INTERNATIONAL, INC.
1718 WEST WISHAWAKA ROAD ELKHART, IN. 46517 PHONE (219) 294-8000

SCHEM, EMR DISPLAY

PRINTS TO	DRAWN	LCD	3-26-92	APPROVED BY :	DO NOT SCALE PRINT
G					
CHECKED				ME	SUPERSEDES
SCALE		NONF		EE	E.C.N.
PROJ #		D283		PE EB	C.P.N.
NEXT ASSEMBLY					

INACTIVE
For Reference Use Only

E.C.N.	ZONE	REV	DESCRIPTION	DATE	APPROVED
95-227		A	CORRECT NOTE 9 ABOUT MAIN BOARD	08/30/95	DWN
00N0112		B	CHANGED R109, 200 TO 3.3K. CHANGED Q100, 125, 200, 225 TO C 7458-B. CHANGED U100, 200 TO 181374-1. CHANGED U183, 203 TO 181375-1.	02/10/00	JAM



CHANNEL 1	
LAST USED	OBSOLETE
C162	125-128, 142, 150
C316	300, 314
D135	102-107, 116-118
D312	300, 309-312
E101	
L302	
N102	100
PTC301	300
Q136	
Q319	
R199	R170
R354	
R338	
U104	

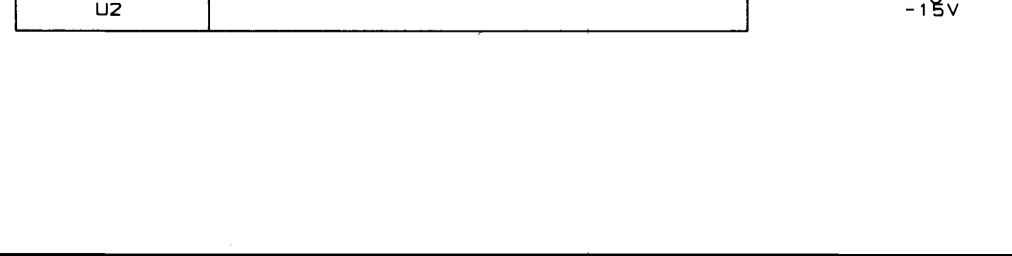
COMMON	
LAST USED	OBSOLETE
C7	3, 5, 6
D7	
R19	2, 3, 5, 6, 9, 11-16
S4	1
U2	

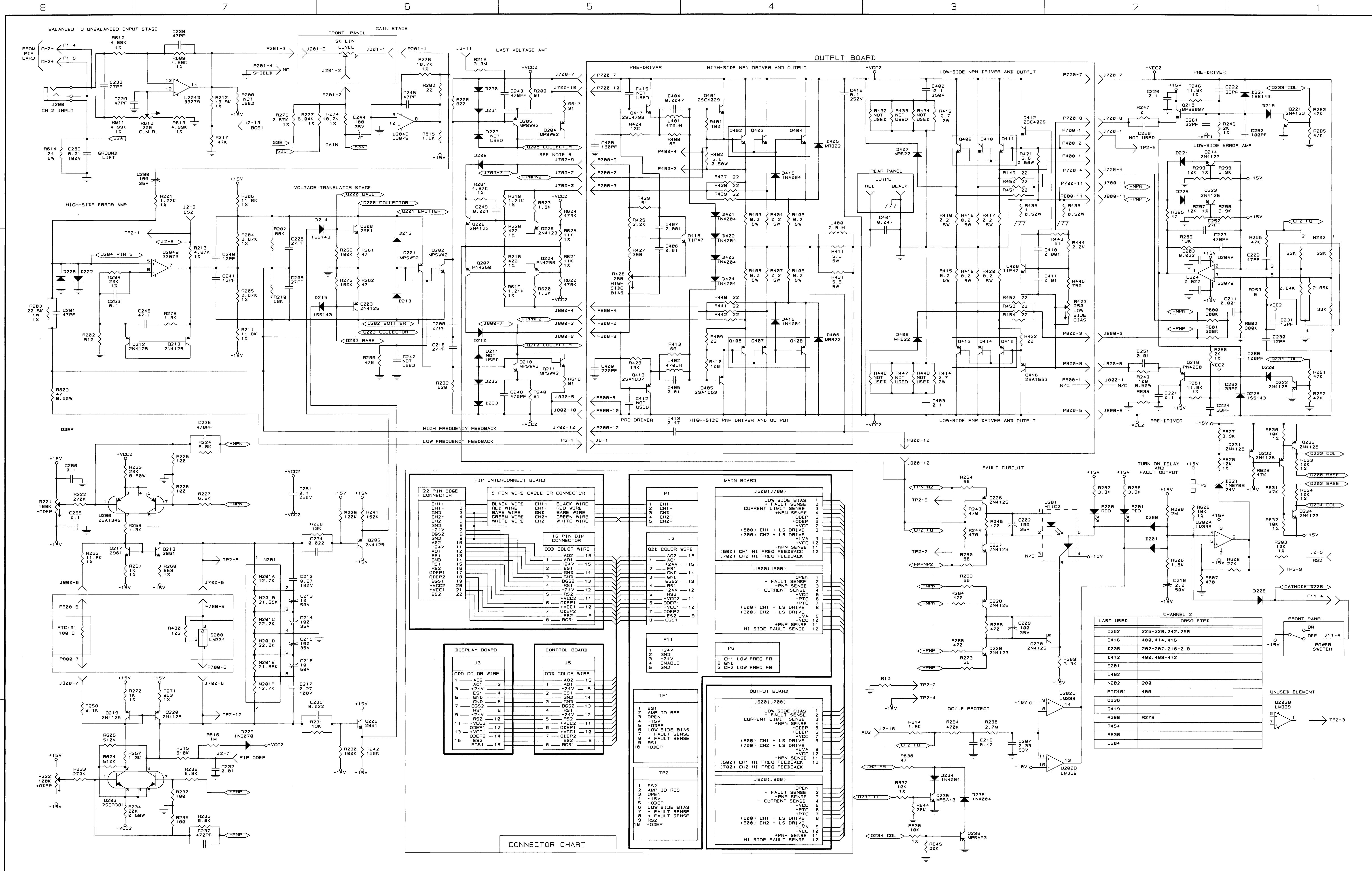
- NOTES:
- ALL RESISTORS ARE IN OHMS, 1/4W, 5% UNLESS OTHERWISE SPECIFIED.
 - ALL CAPACITORS ARE IN MICROFARADS UNLESS OTHERWISE SPECIFIED.
 - ALL DIODES ARE 1N4148 UNLESS OTHERWISE SPECIFIED.
 - ON J500 AND J700 THE STRIPED WIRE GOES TO PIN 12 OF THE BOARD AND THE PIN NUMBERS MOLDED ON THE CABLE SOCKET ARE REVERSED FROM THE PIN NUMBERS ON THE BOARD AND THE SCHEMATIC.
 - STANDARD UNIT HAS R10 OPEN. INSTALL JUMPER IN R10 TO DISABLE CHANNEL 2 SIGNAL INDICATOR LIGHT IN PARALLEL MONO MODE.
 - CHANNEL 2 PRE-DRIVER BASES LOOP THROUGH STEREO-MONO SWITCH S4, SECTIONS E AND F.
 - CHANNEL 1 SHOWN. FOR CHANNEL 2 ADD 100 TO REFERENCE DESIGNATORS. (EXAMPLE: CHANNEL 1 R101 WOULD BE CHANNEL 2 R201). CONNECTOR AND IC PIN NUMBERS FOR CHANNEL 2 ARE SHOWN IN PARENTHESES WHEN THEY DIFFER FROM CHANNEL 1. EXCEPTIONS ARE CHAN 1 J500 CORRESPONDS TO CHAN 2 J700, AND CHAN 1 J600 CORRESPONDS TO CHAN 2 J800.
 - +VCC, -VCC = 70V NO LOAD
 - MODULE DOCUMENTS AND P.C. BOARDS FOR THIS SCHEMATIC ARE AS FOLLOWS:

MAIN ... Q43371-S AND D8925-B OR D8928-7
 OUTPUT ... Q43369-B AND P18423-5

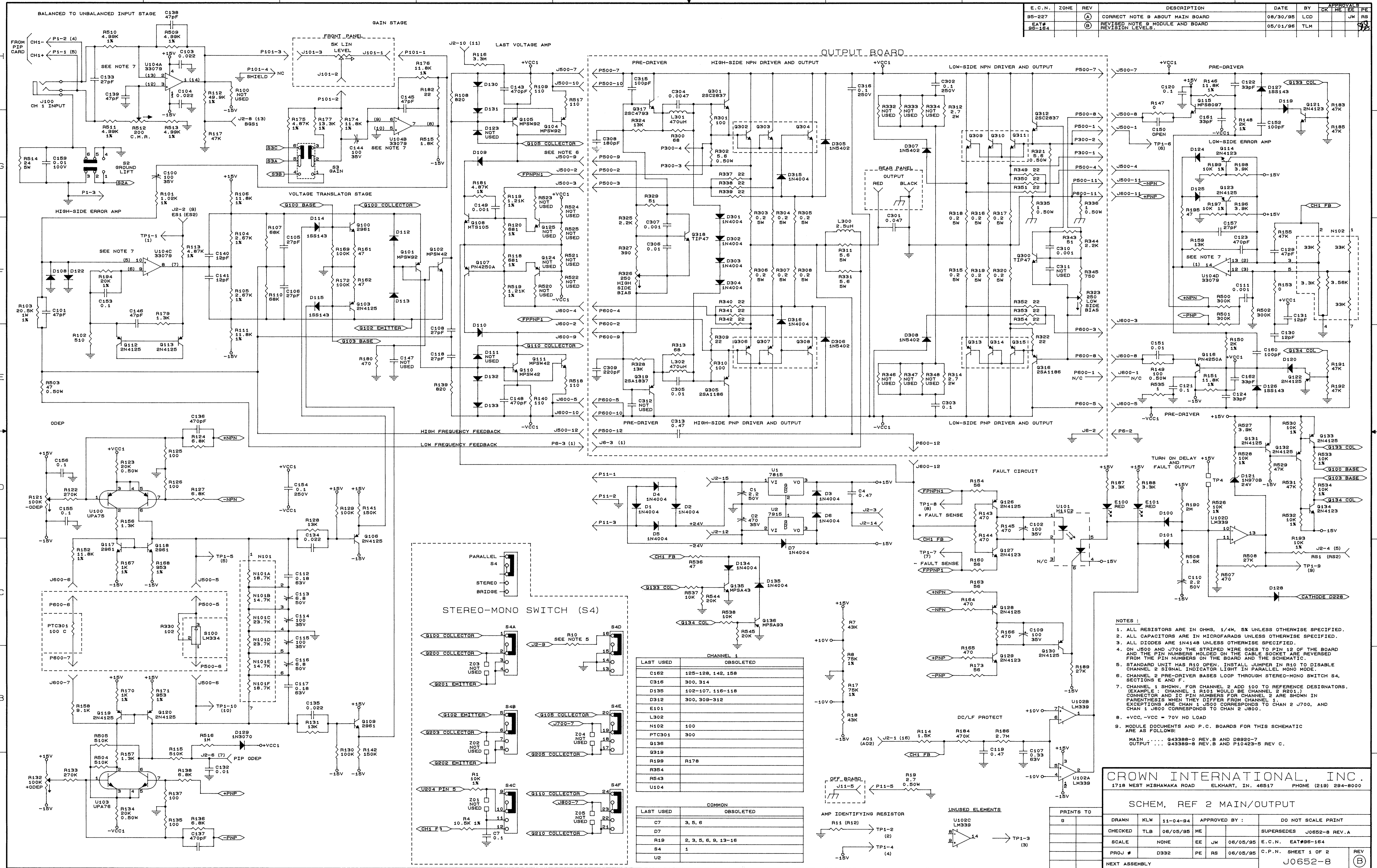
DISTRIBUTION		CM	03-07-95		1718 W. MISHAWAKA RD. ELKHART, IN, 46517 PHONE (219) 234-9900 WWW.CROWNINTL.COM
G	PE	RS	05/05/95		
FILENAME		EE	JW	05/05/95	TITLE
J0674-2-B.SCM					SCH. REF1 MAIN/OUTPUT
TOLERANCE UNLESS OTHERWISE SPECIFIED					
.00 = ±.02"					
.000 = ±.010"					
DRILLS = ±.003"					
DO NOT SCALE DRAWING					

UNCONTROLLED
 UNLESS OTHERWISE MARKED IN RED INK BY CM AS A CONTROLLED COPY, COPIES OF THESE DOCUMENTS INCLUDING ASSOCIATED ELECTRONIC REPRODUCTIONS ARE FOR REFERENCE ONLY.
 THESE DRAWINGS AND SPECIFICATIONS ARE THE PROPERTY OF CROWN INTERNATIONAL, INC. AND SHALL NOT BE REPRODUCED, COPIED, OR USED AS THE BASIS FOR THE MANUFACTURE OR SALE OF APPARATUS OR DEVICES WITHOUT PERMISSION.





E.C.N.	ZONE	REV	DESCRIPTION	DATE	BY	APPROVAL
95-227	(A)	(A)	CORRECT NOTE 9 ABOUT MAIN BOARD	08/30/95	LCD	JW
EAT# 95-164	(B)	(B)	REVISED NOTE 9 MODULE AND BOARD REVISION LEVELS.	05/01/96	TLM	JW



CHANNEL 1	
LAST USED	OBSOLETE
C162	125-128, 142, 158
C316	300, 314
D135	102-107, 116-118
D312	300, 309-312
E101	
L302	
N102	100
PTC301	300
Q136	
Q319	
R199	R178
R354	
R543	
U104	

COMMON	
LAST USED	OBSOLETE
C7	3, 5, 6
D7	
R19	2, 3, 5, 6, 9, 13-16
S4	1
U2	

- NOTES:
- ALL RESISTORS ARE IN OHMS, 1/4W, 5% UNLESS OTHERWISE SPECIFIED.
 - ALL CAPACITORS ARE IN MICROFARADS UNLESS OTHERWISE SPECIFIED.
 - ALL DIODES ARE 1N4148 UNLESS OTHERWISE SPECIFIED.
 - ON J500 AND J700 THE STRIPED WIRE GOES TO PIN 12 OF THE BOARD AND THE PIN NUMBERS MOLDED ON THE CABLE SOCKET ARE REVERSED FROM THE PIN NUMBERS ON THE BOARD AND THE SCHEMATIC.
 - STANDARD UNIT HAS R10 OPEN. INSTALL JUMPER IN R10 TO DISABLE CHANNEL 2 SERIAL INDICATOR LIGHT IN PARALLEL MONO MODE.
 - CHANNEL 2 PRE-DRIVER BASES LOOP THROUGH STEREO-MONO SWITCH S4, SECTIONS E AND F.
 - CHANNEL 1 SHOWN FOR CHANNEL 2 ADD 100 TO REFERENCE DESIGNATORS. (EXAMPLE: CHANNEL 1 R101 WOULD BE CHANNEL 2 R201.) IN PARENTHESES WHEN THEY DIFFER FROM CHANNEL 1. EXCEPTIONS ARE CHAN 1 J500 CORRESPONDS TO CHAN 2 J700, AND CHAN 1 J600 CORRESPONDS TO CHAN 2 J800.
 - +VCC, -VCC = 70V NO LOAD
 - MODULE DOCUMENTS AND P.C. BOARDS FOR THIS SCHEMATIC ARE AS FOLLOWS:
MAIN: ... G43388-0 REV. B AND D8920-7
OUTPUT: ... G43388-8 REV. B AND P10423-5 REV. C.

CROWN INTERNATIONAL, INC.
1718 WEST WISHAWAKA ROAD ELKHART, IN. 46517 PHONE (219) 294-8000

SCHEM, REF 2 MAIN/OUTPUT

PRINTS TO	6
DRAWN	KLW 11-04-94
CHECKED	TLB 06/05/95 ME
SCALE	NONE
PROJ #	D332
NEXT ASSEMBLY	

APPROVED BY: E.E. JW 06/05/95

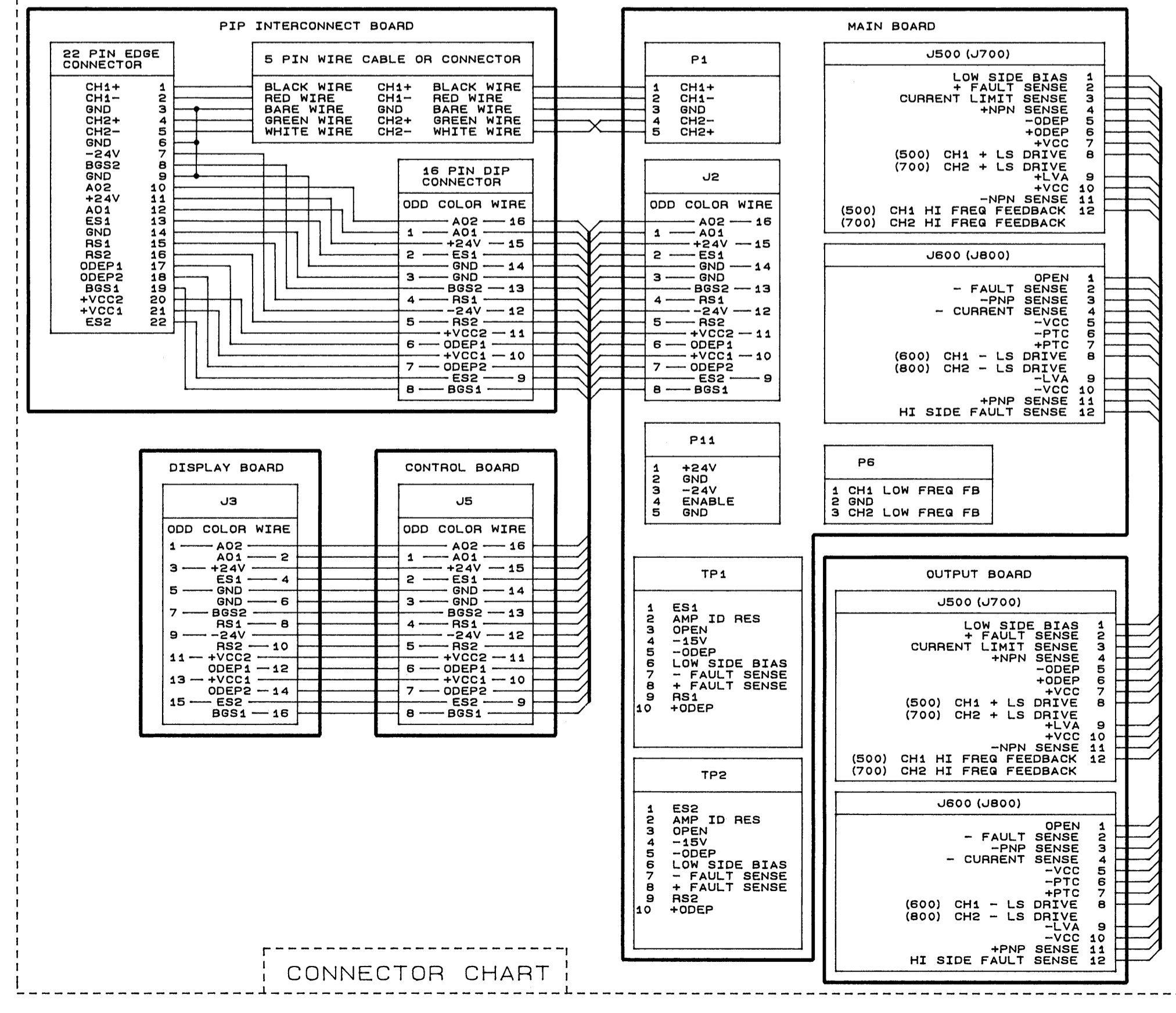
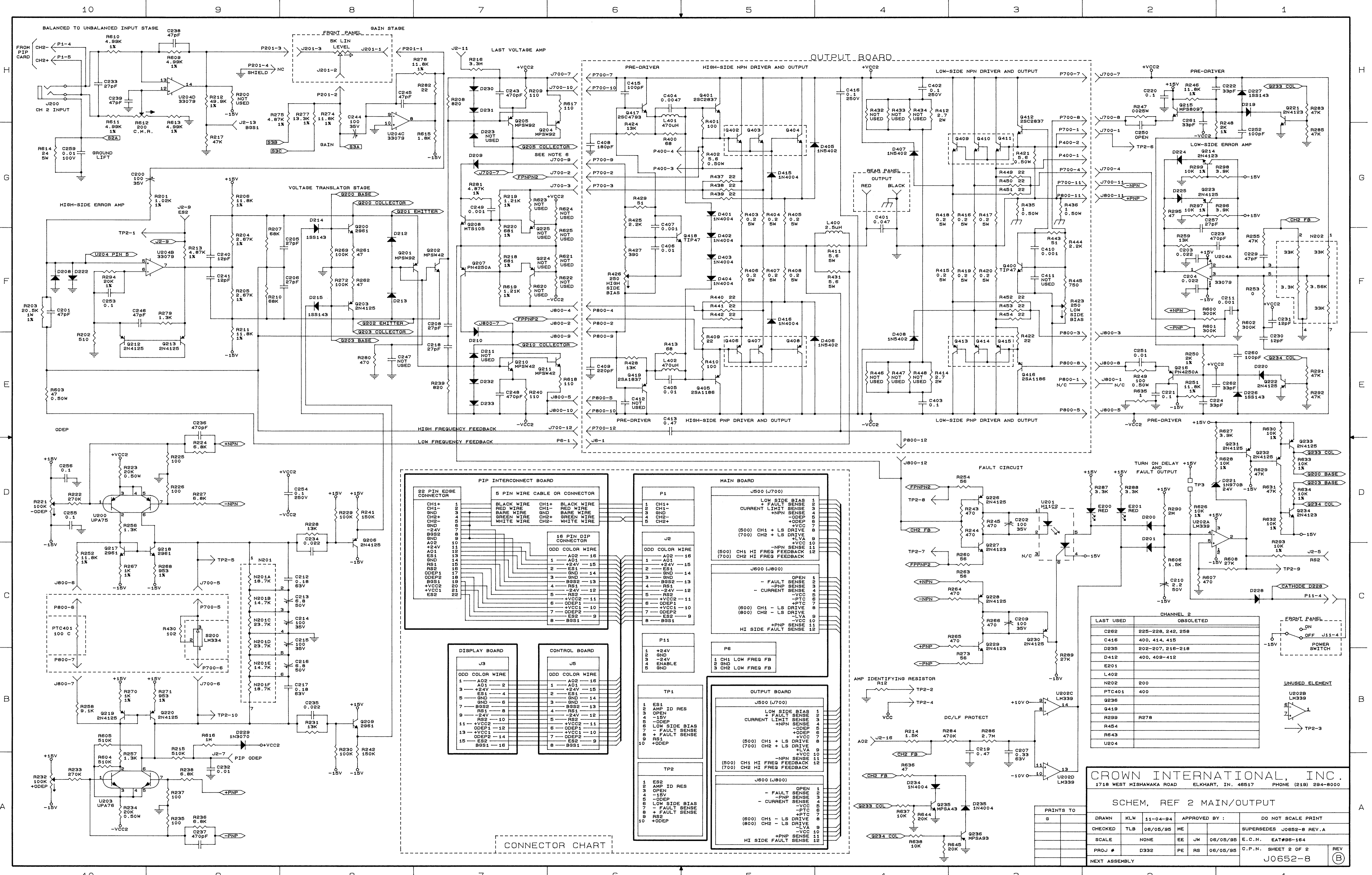
DO NOT SCALE PRINT

SUPERSEDES J0652-8 REV. A

E.C.N. EAT#96-164

C.P.N. SHEET 1 OF 2

J0652-8



CHANNEL 2

LAST USED	OBSOLETE
C262	225-226, 242, 258
C416	400, 414, 415
D235	202-207, 216-218
D412	400, 409-412
E201	
L402	
N202	
PTC401	400
Q236	
Q419	
R299	R278
R454	
R643	
U204	

UNUSED ELEMENT

- U202B LM339
- TP2-3

CROWN INTERNATIONAL, INC.
1718 WEST MISHANAKA ROAD ELKHART, IN. 46517 PHONE (219) 294-8000

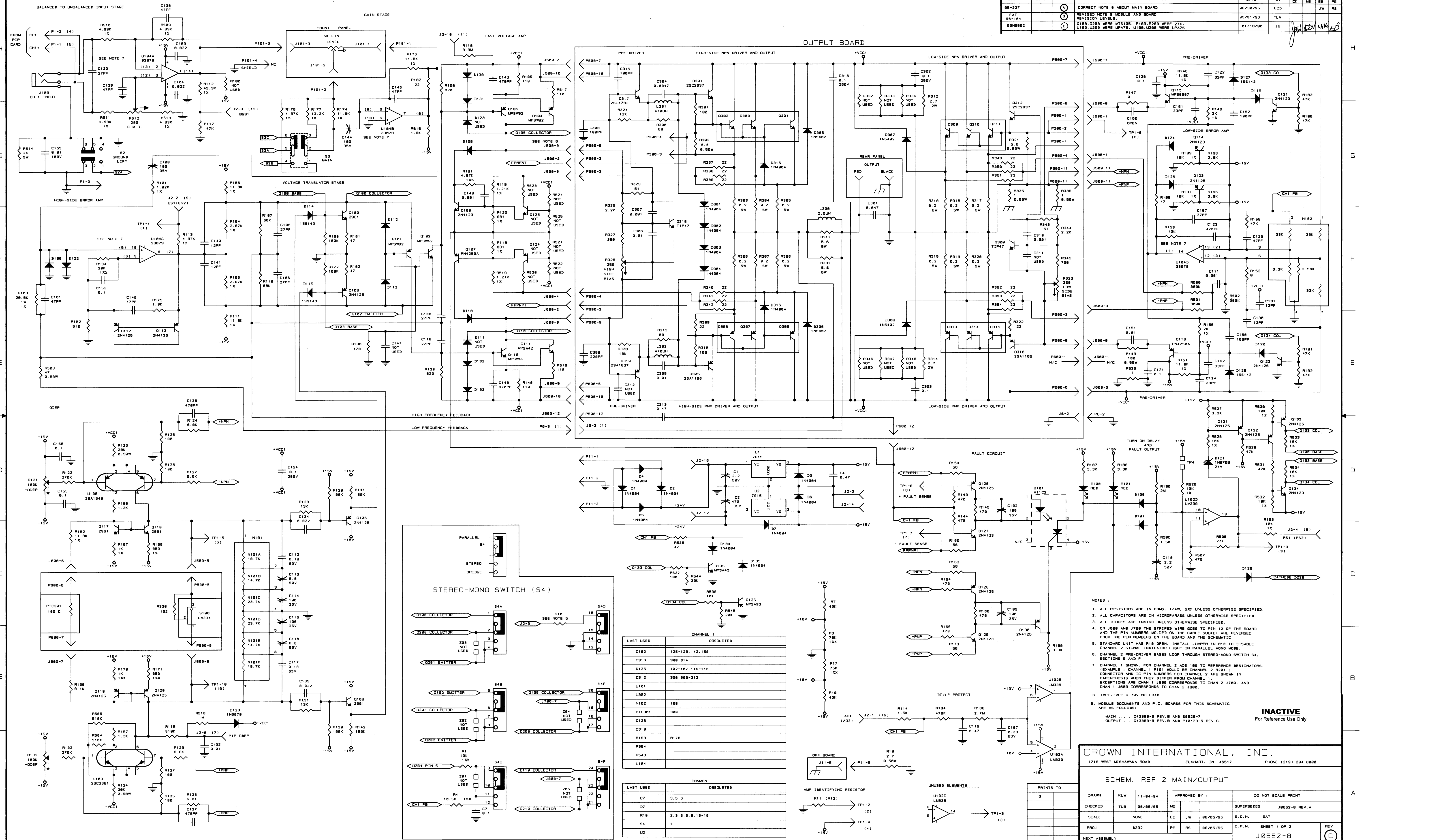
SCHEM, REF 2 MAIN/OUTPUT

PRINTS TO	SCALE	SCALE	SCALE	SCALE	SCALE	SCALE	SCALE
G							

DRAWN	KLW	11-04-94	APPROVED BY :	DO NOT SCALE PRINT
CHECKED	TLB	06/05/95	ME	SUPERSEDES J0652-8 REV.A
SCALE	NONE	EE	JW	06/05/95
PROJ #	D332	PE	RS	06/05/95
NEXT ASSEMBLY				

J0652-8

E.C.N.	ZONE	REV	DESCRIPTION	DATE	BY	CHK	APP	RE
95-227		(A)	CORRECT NOTE 9 ABOUT MAIN BOARD	08/30/95	LCD			JW RS
95-154		(B)	REVISED NOTE 9 MODULE AND BOARD REVISION LEVELS	05/01/95	TLW			
95-002		(C)	Q189, Q288 WERE MTS185, R189, R289 WERE 27K, U183, U283 WERE UPA76, U188, U288 WERE UPA75	01/10/88	JG			



LAST USED	OBSOLETE
C162	125-126, 142, 158
C316	388, 314
D135	182-187, 116-118
D312	388, 389-312
E101	
L382	
N182	188
PTC381	388
Q136	
Q319	
R199	R178
R364	
RS43	
U184	

LAST USED	OBSOLETE
C7	3, 5, 6
D7	
R19	2, 3, 5, 6, 9, 13-18
S4	1
U2	

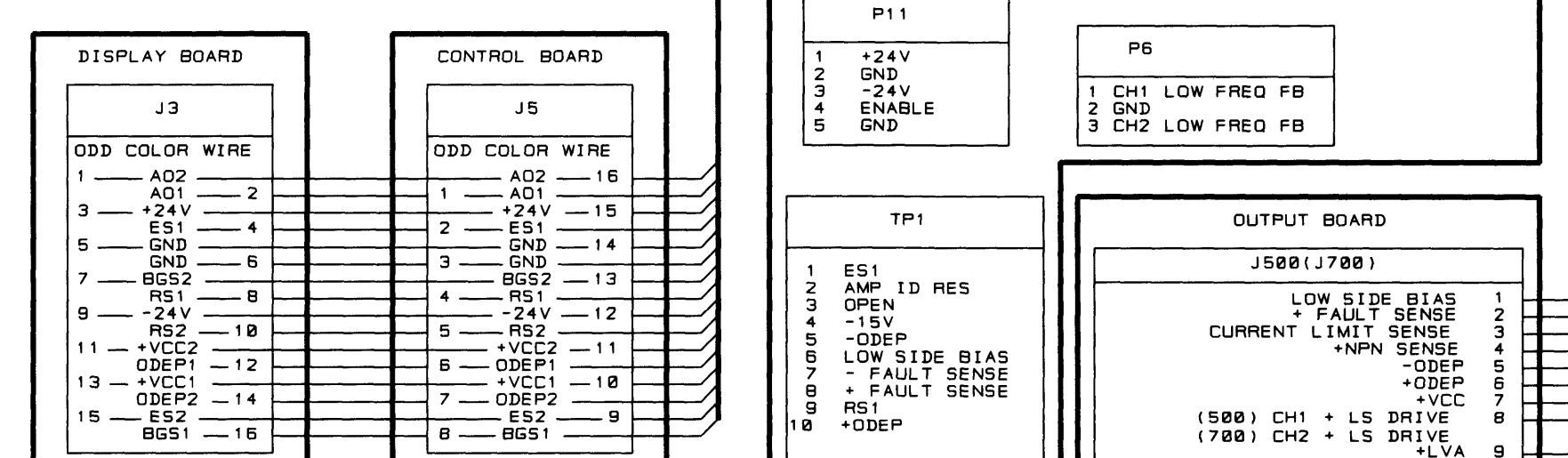
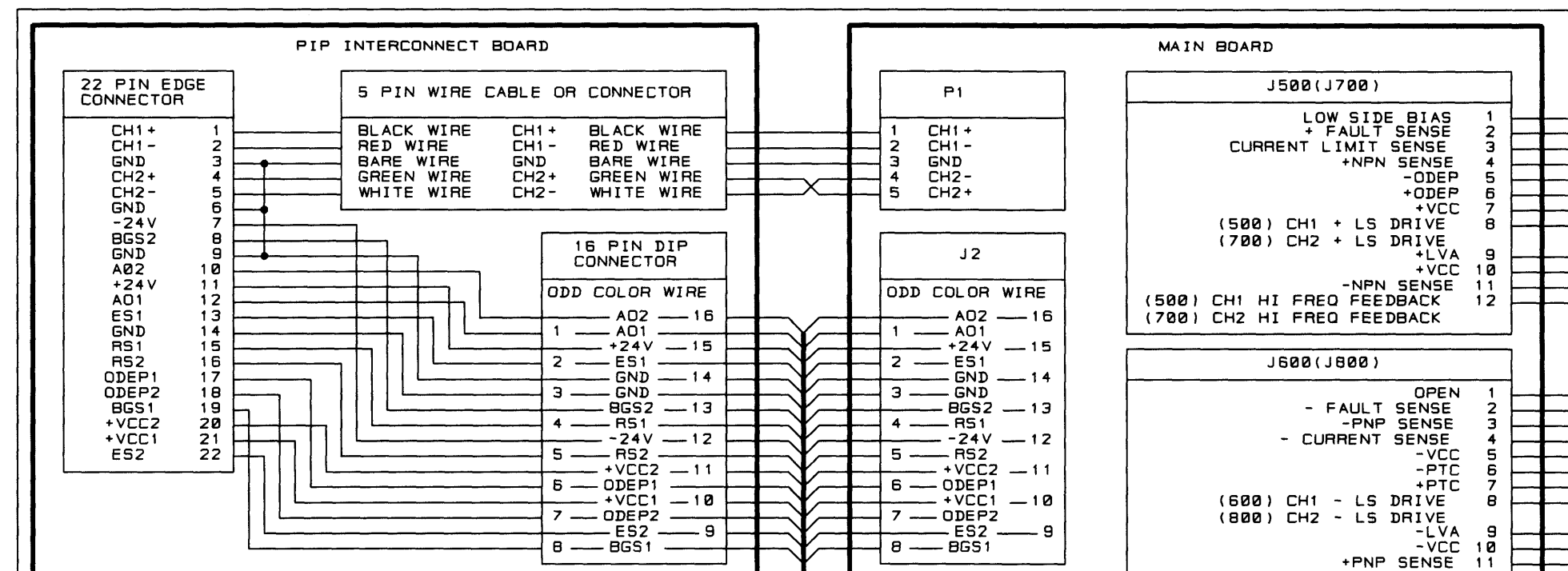
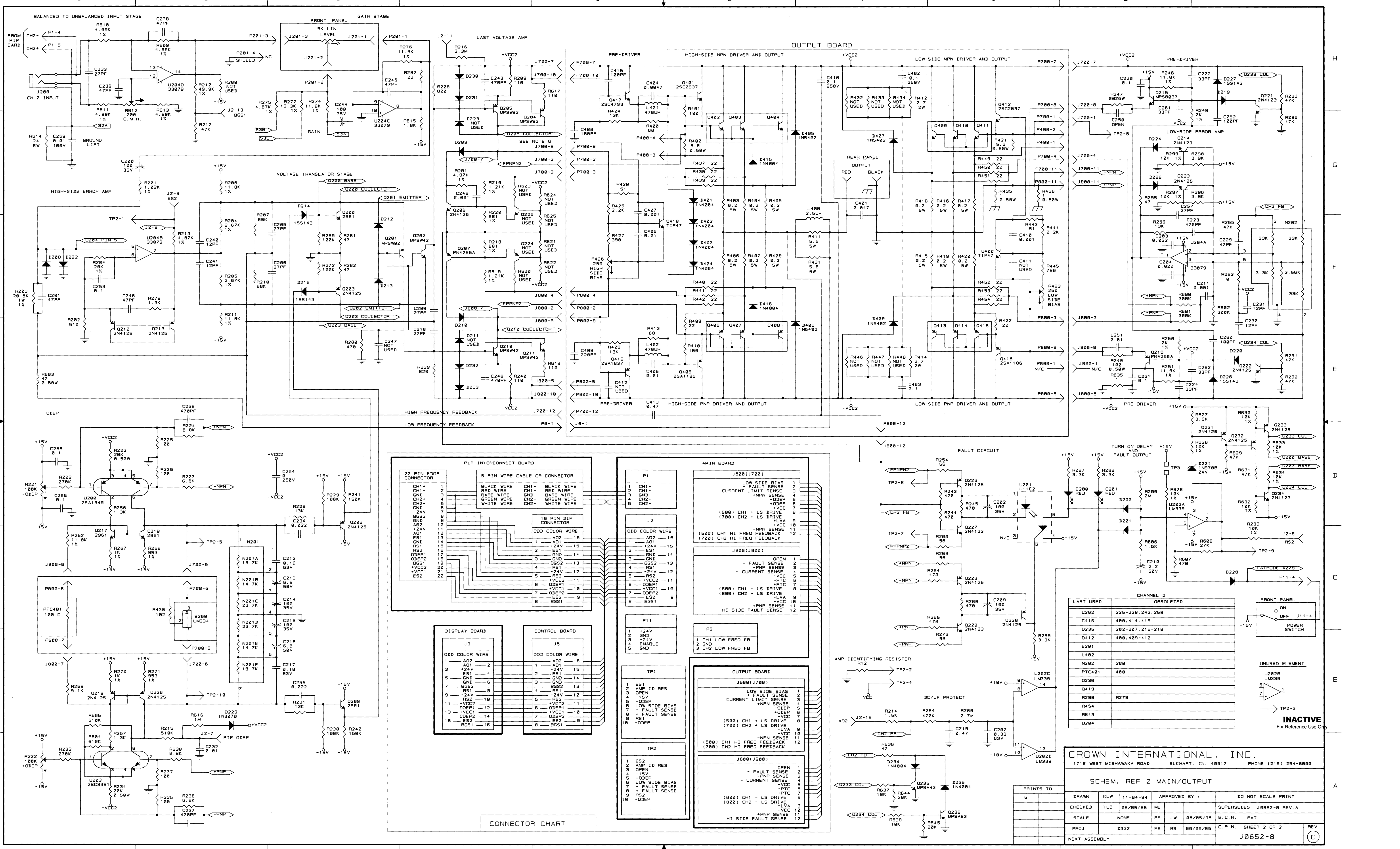
- NOTES:
- ALL RESISTORS ARE IN OHMS, 1/4W, 5% UNLESS OTHERWISE SPECIFIED.
 - ALL CAPACITORS ARE IN MICROFARADS UNLESS OTHERWISE SPECIFIED.
 - ALL DIODES ARE 1N4148 UNLESS OTHERWISE SPECIFIED.
 - ON J588 AND J788 THE STRIPED WIRE GOES TO PIN 12 OF THE BOARD AND THE PIN NUMBERS MOLDED ON THE CABLE SOCKET ARE REVERSED FROM THE PIN NUMBERS ON THE BOARD AND THE SCHEMATIC.
 - STANDARD UNIT HAS R18 OPEN. INSTALL LUMEN IN R18 TO DISABLE CHANNEL 2 SIGNAL INDICATOR LIGHT IN PARALLEL MONO MODE.
 - CHANNEL 2 PRE-DRIVER BASES LOOP THROUGH STEREO-MONO SWITCH S4.
 - CHANNEL 1 SHOWN. FOR CHANNEL 2 ADD 188 TO REFERENCE DESIGNATORS. (EXAMPLE: CHANNEL 1 R181 WOULD BE CHANNEL 2 R281.) CONNECTOR AND IC PIN NUMBERS FOR CHANNEL 2 ARE SHOWN IN PARENTHESES WHEN THEY DIFFER FROM CHANNEL 1. EXCEPTIONS ARE CHAN 1 J588 CORRESPONDS TO CHAN 2 J788, AND CHAN 1 J588 CORRESPONDS TO CHAN 2 J888.
 - +VCC, -VCC = 78V NO LOAD
 - MODULE DOCUMENTS AND P.C. BOARDS FOR THIS SCHEMATIC ARE AS FOLLOWS:

INACTIVE
For Reference Use Only

CROWN INTERNATIONAL, INC.
1710 WEST MISHAWAKA ROAD ELKHART, IN. 46517 PHONE (219) 294-8888

SCHEM. REF 2 MAIN/OUTPUT

DRAWN	KLW	11-84-94	APPROVED BY :	DO NOT SCALE PRINT
CHECKED	TLB	06/05/95	ME	SUPERSEDES J0552-B REV. A
SCALE	NONE	EE	JW	06/05/95
PROJ.	D332	PE	RS	06/05/95
NEXT ASSEMBLY				C.P.N. SHEET 1 OF 2
				J0552-B



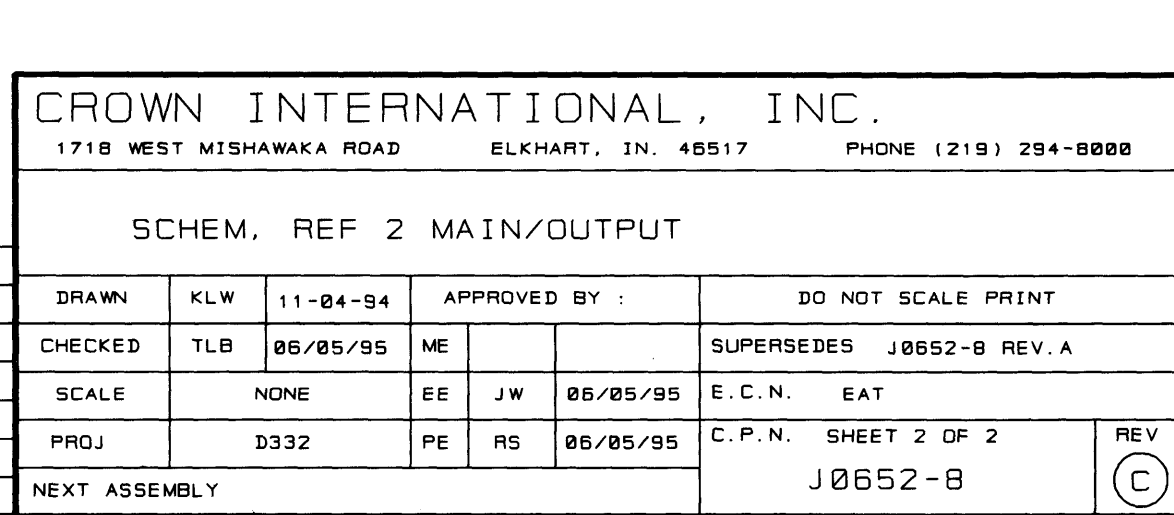
LAST USED	OBSOLETE
C262	225-228, 242, 258
C416	400, 414, 415
D235	202-207, 216-218
D412	400, 408-412
E201	
L402	
N202	200
PTC401	400
Q236	
Q419	
R299	R278
R454	
R643	
U284	

CROWN INTERNATIONAL, INC.
1718 WEST MISHAWAKA ROAD, ELKHART, IN. 46517 PHONE (219) 294-8000

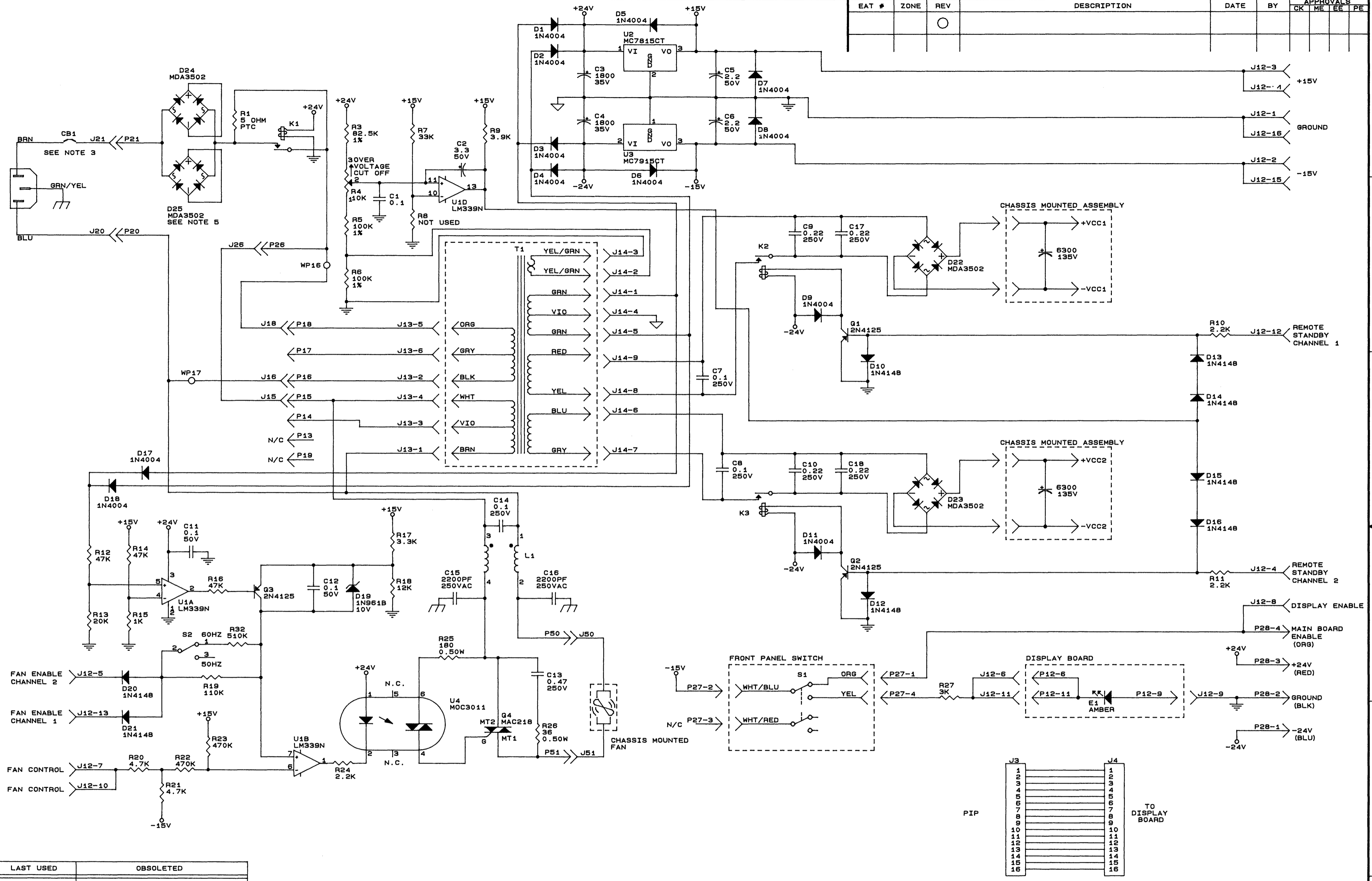
SCHEM. REF 2 MAIN/OUTPUT

DRAWN	KLW	11-04-84	APPROVED BY :	DO NOT SCALE PRINT
CHECKED	TLB	06/05/95	ME	SUPERSEDES J0652-B REV. A
SCALE	NONE	EE	JW	06/05/95
PROJ	D332	PE	RS	06/05/95
NEXT ASSEMBLY				C.P.N. SHEET 2 OF 2

REV J0652-B

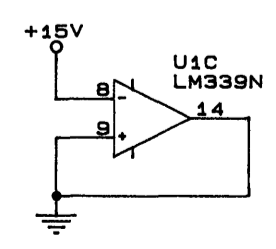


EAT #	ZONE	REV	DESCRIPTION	DATE	BY	APPROVALS
		0				CK ME EE PE



LAST USED	OBSOLETE
CB1	
C18	
D25	
E1	
K3	
L1	
G4	
R32	2, 28-31
S2	1
T1	
U4	
WP17	1-15

UNUSED ELEMENTS



NOTES :

- ALL RESISTORS ARE IN OHMS, 1/4W, 5% UNLESS OTHERWISE SPECIFIED.
- ALL CAPACITORS ARE IN MICROFARADS UNLESS OTHERWISE SPECIFIED.
- CIRCUIT BREAKER RATINGS:
30 AMP / 100V - 120V
15 AMP / 220V - 240V
- MODULE DOCUMENT AND P.C. BOARD FOR THIS SCHEMATIC ARE: G43504-2 AND D 9099-9.
- NOT USED ON REF2.

SPECIFIC VOLTAGE WIRING			
VOLTAGE	JUMPER	WP17 WHITE	WP16 BLACK
100V	P26-P14	P16	P17
120V	P26-P15	P16	P18
220V	P15-P16	P13	P17
240V	P15-P16	P13	P18

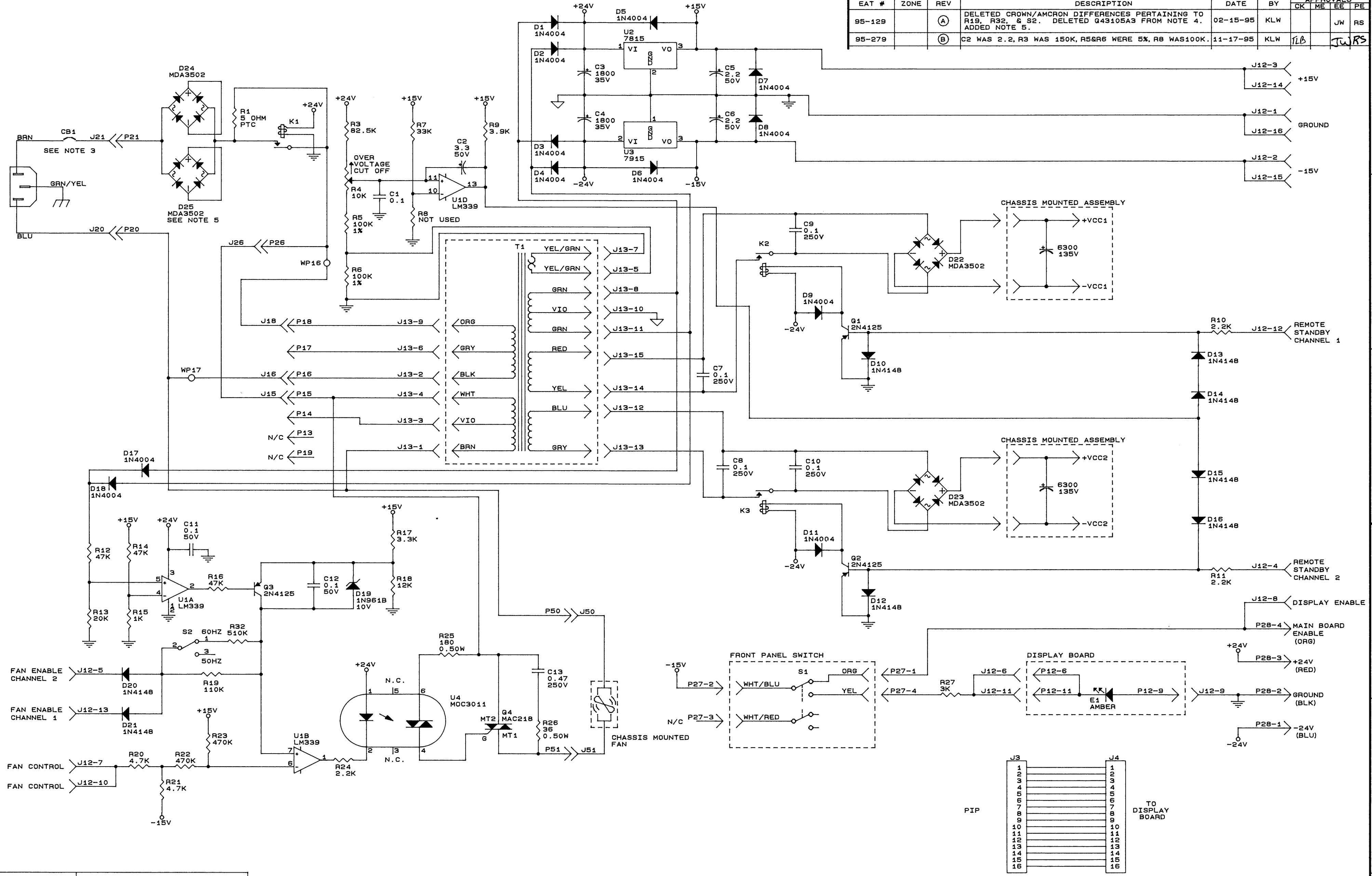
PRINTS TO	
G	

CROWN INTERNATIONAL, INC.
1718 WEST MISHAWAKA ROAD ELKHART, IN. 46517 PHONE (219) 294-8000

SCHEM, REF CONTROL #3

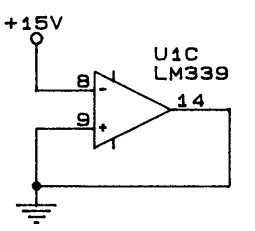
DRAWN	KLW	02-21-96	APPROVED BY :	DO NOT SCALE PRINT
CHECKED			ME	SUPERSEDES J0696-5
SCALE	NONE	EE	PO 3-26-96	E.C.N. EAT#96-141
PROJ #	D332	PE	B 3-26-96	C.P.N. SHEET 1 OF 1 REV
NEXT ASSEMBLY				J0739-3

EAT #	ZONE	REV	DESCRIPTION	DATE	BY	APPROVALS
95-129		(A)	DELETED CROWN/AMCRON DIFFERENCES PERTAINING TO R19, R32, & S2. DELETED Q43105A3 FROM NOTE 4.	02-15-95	KLW	JW RS
95-279		(B)	C2 WAS 2.2, R3 WAS 150K, R5&R6 WERE 5%, R8 WAS 100K.	11-17-95	KLW	TLB JW RS



LAST USED	OBSOLETE
CB1	
C19	14-19
D25	
E1	
K3	
Q4	
R32	2, 28-31
S2	
T1	
U4	
WP17	1-15

UNUSED ELEMENTS



NOTES :

1. ALL RESISTORS ARE IN OHMS, 1/4W, 5% UNLESS OTHERWISE SPECIFIED.
2. ALL CAPACITORS ARE IN MICROFARADS UNLESS OTHERWISE SPECIFIED.
3. CIRCUIT BREAKER RATINGS:
30 AMP / 100V - 120V
15 AMP / 220V - 240V
4. MODULE DOCUMENT AND P.C. BOARD FOR THIS SCHEMATIC ARE:
Q43450-8 AND D 8853-0.
5. NOT USED ON REF.2.

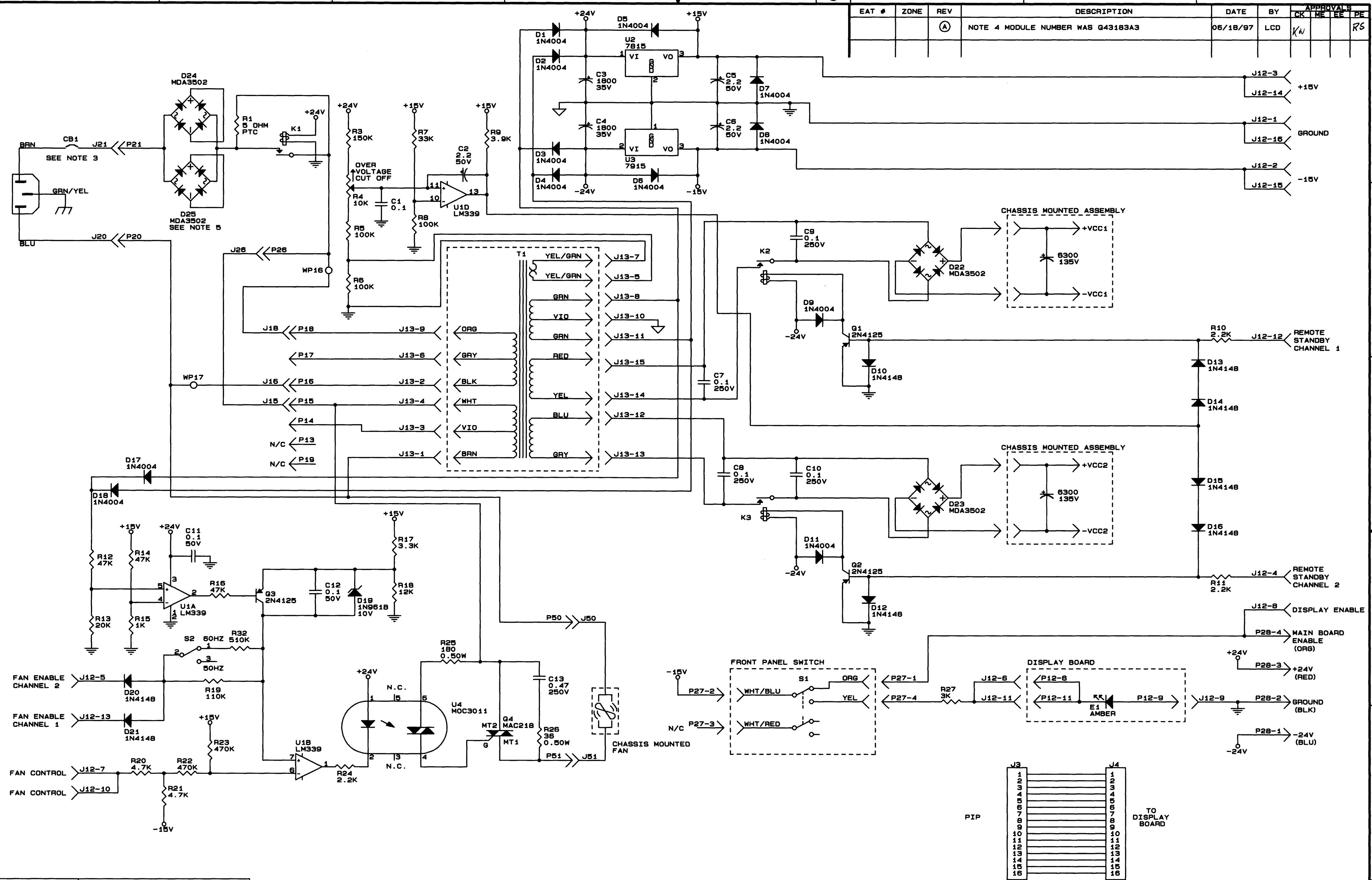
CROWN INTERNATIONAL, INC.
1718 WEST MISHAWAKA ROAD ELKHART, IN. 46517 PHONE (219) 294-8000

SCHEM, REF CONTROL

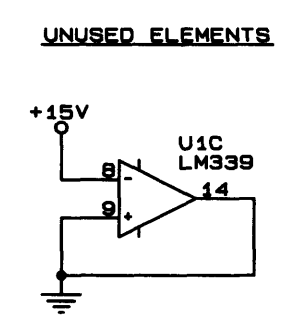
PRINTS TO		DRAWN	KLW	12-20-94	APPROVED BY :	DO NOT SCALE PRINT
G		CHECKED	TLB	6-12-95	ME	SUPERSEDES J0558-7
		SCALE	NONE	EE	JW	6-12-95
		PROJ #	D182	PE		E.C.N.
		NEXT ASSEMBLY				C.P.N.

J0558A5 (B)

EAT #	ZONE	REV	DESCRIPTION	DATE	BY	APPROVALS
		(A)	NOTE 4 MODULE NUMBER WAS G43183A3	06/18/97	LCD	CK ME EE PE KW RS



LAST USED	OBSOLETE
CB1	
C19	14-19
D25	
E1	
K3	
Q4	
R32	2, 28-31
S2	
T1	
U4	
WP17	1-15



- NOTES :
- ALL RESISTORS ARE IN OHMS, 1/4W, 5% UNLESS OTHERWISE SPECIFIED.
 - ALL CAPACITORS ARE IN MICROFARADS UNLESS OTHERWISE SPECIFIED.
 - CIRCUIT BREAKER RATINGS:
30 AMP / 100V - 120V
15 AMP / 220V - 240V
 - MODULE DOCUMENT AND P.C. BOARD FOR THIS SCHEMATIC ARE: G43450-8 AND D 8853-0.
 - NOT USED ON REF2.

SPECIFIC VOLTAGE WIRING

VOLTAGE	JUMPER	WHITE	BLACK
100V	P26-P14	P16	P17
120V	P26-P15	P16	P18
220V	P15-P16	P13	P17
240V	P15-P16	P13	P18

CROWN INTERNATIONAL, INC.
1718 WEST MISHAWAKA ROAD ELKHART, IN. 46517 PHONE (219) 294-8000

SCHEM, REF CONTROL

PRINTS TO		DRAWN		APPROVED BY :		DO NOT SCALE PRINT	
G		KLW	06-21-95	ME		SUPERSEDES	J0558A5
		SCALE	NONE	EE		E.C.N.	
		PROJ #	D332	PE	RS	06/29/95	C.P.N.
		NEXT ASSEMBLY					J0696-5

REV (A)