

NOTES:

1. CIRCUIT SHOWN STARTS WITH SN 2006, AND APPLIES ONLY TO PC BOARD #9750 (MAIN BOARD) AND PC BOARD #9730 (OUTPUT BOARD).
2. D105, D205, D106 AND D206 ARE LOCATED ON THE MAIN BOARD (SHOWN ON OUTPUT BOARD FOR CLARITY).
3. ALL RESISTORS ARE IN OHMS, ALL CAPACITORS ARE IN MICROFARADS, UNLESS OTHERWISE NOTED.
4. OUTPUT PC BOARD #9730 CONTAINS COMPONENTS FOR BOTH CH#1 AND CH#2, AND IT IS LOCATED ON THE FRONT PANEL HEAT SINK ASSEMBLY.
5. LED 102 AND 202 ARE LOCATED ON THE OUTPUT PC BOARD.
6. SWI IS SHOWN IN STEREO POSITION.
7. THE BALANCED INPUT DOES NOT FUNCTION WHEN UNBALANCED INPUT IS USED.

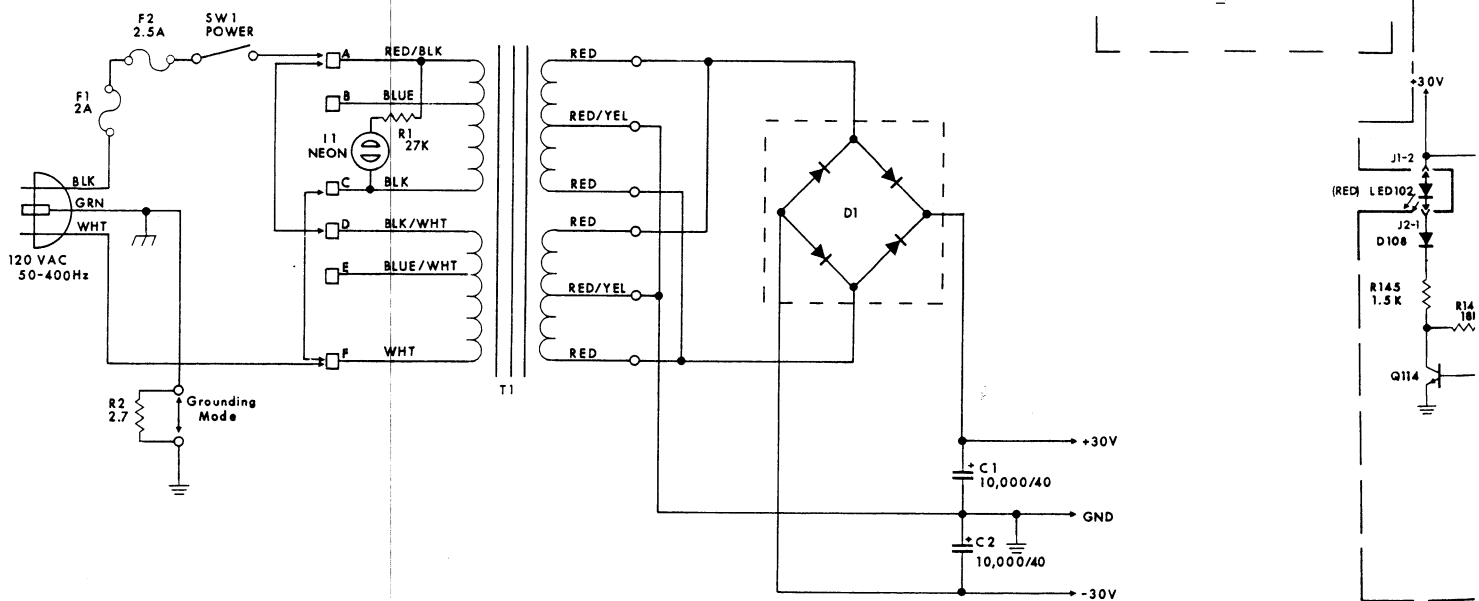


Fig. 6.1A D-75 Power Supply Schematic

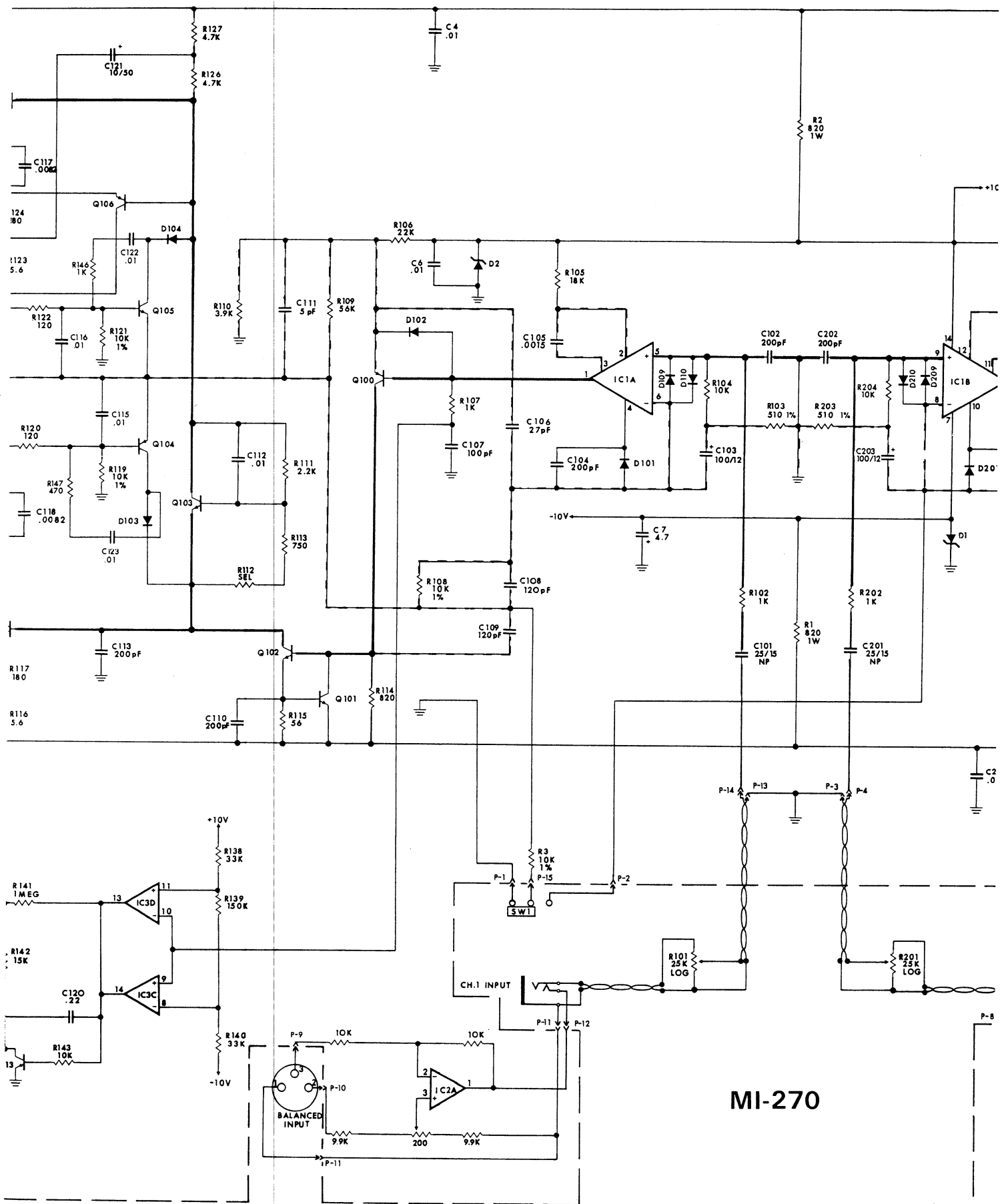


Fig. 6.1B D-75 Main Schematic

