

CHANNEL 1  
ADD 100 TO REFERENCE DESIGNATORS FOR CHANNEL 2

LAST USED	OBSOLETE
C196	118, 119, 121-129, 136, 139-149, 170, 188
D142	108, 109, 117, 118
E102	
Q115	111
RN102	
R199	108, 160, 185
R399	351, 354, 364, 388
R909	
S102	
U118	108

COMMON COMPONENTS

LAST USED	OBSOLETE
C1	
D2	
S1	
R14	5, 9-11, 13
U10	1-9

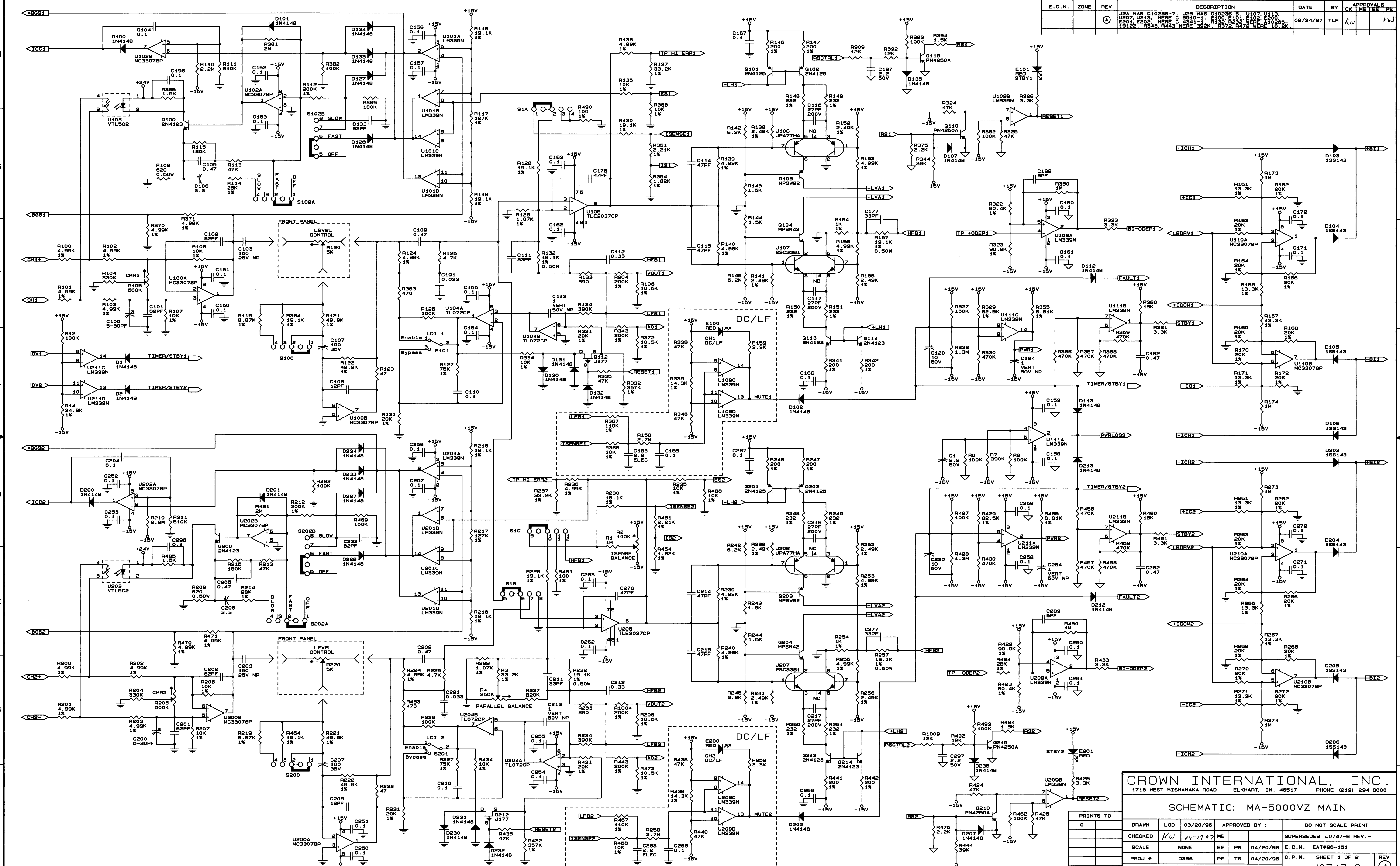
- NOTES:
- ALL RESISTORS ARE IN OHMS, 1/4W, 5% UNLESS OTHERWISE SPECIFIED.
  - ALL CAPACITORS ARE IN MICROFARADS UNLESS OTHERWISE SPECIFIED.
  - (\*) DENOTES A NOT STATEMENT
  - PCB CPN: D 9181-5.
  - MODULE DOC. CPN: Q43611-7.

CROWN INTERNATIONAL, INC.  
1718 WEST MISHAMAKA ROAD ELKHART, IN. 46517 PHONE (219) 294-8000

SCHEMATIC: MA-5000VZ MAIN

PRINTS TO	
DRAWN	LCD 03/20/86
CHECKED	KW 04-29-87
SCALE	NONE
PROJ #	D396
NEXT ASSEMBLY	
APPROVED BY:	EE PW 04/20/86
DO NOT SCALE PRINT	
SUPERSEDES	J0747-6 REV.-
E.C.N.	EAT#96-151
C.P.N.	04/20/86
SHEET 2 OF 2	
REV	(A)

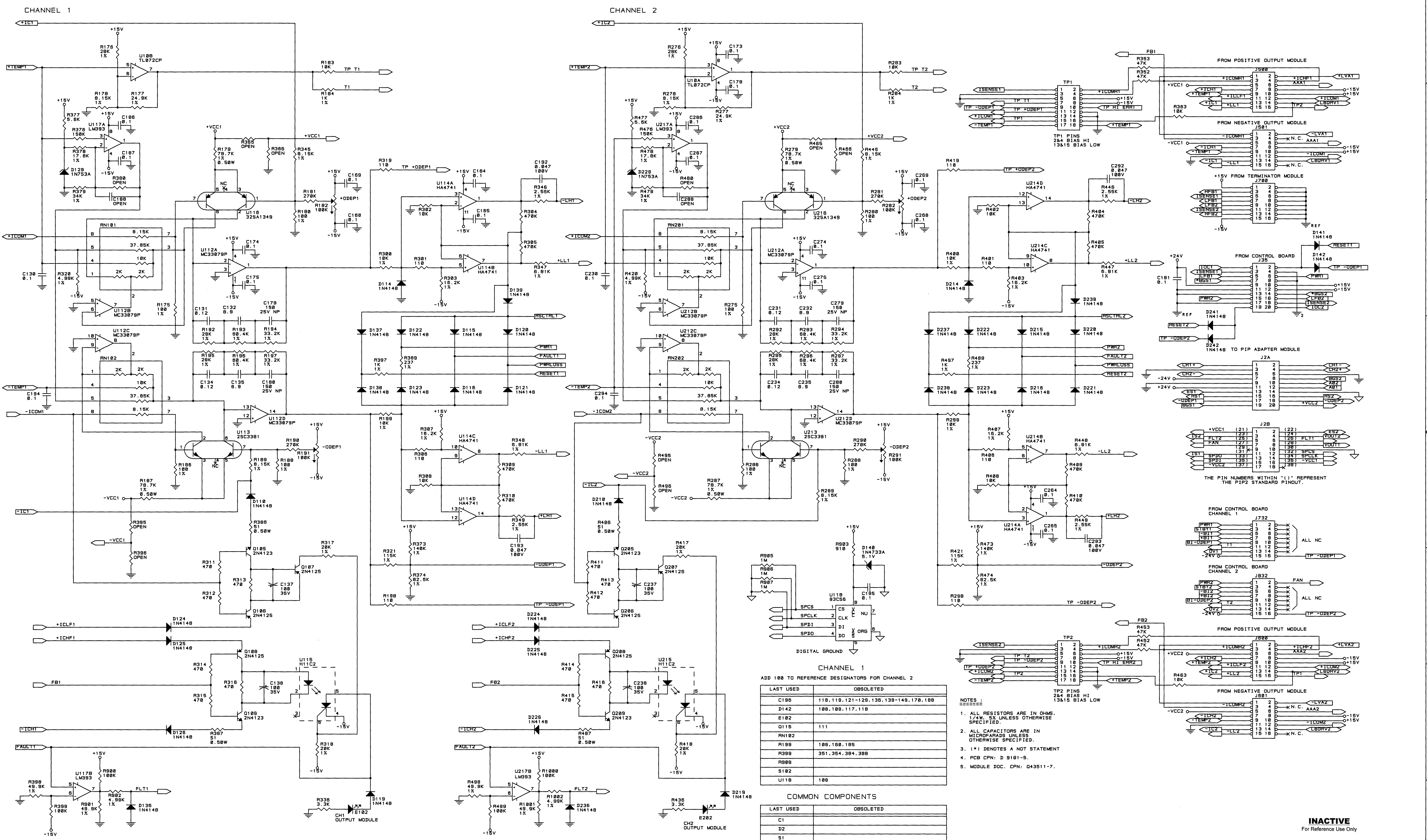
E.C.N.	ZONE	REV	DESCRIPTION	DATE	BY	APPROVALS
①			J2A WAS C10295-7, J2B WAS C10295-5, U107, U113, U207, U213 WERE C 0810-1, R130, R333, R119, R331, R341-1, R130, R333, WERE A10295-1, R122, R343, R443 WERE 392K, R372, R472 WERE 10.2K.	09/24/97	TLM	KW



**CROWN INTERNATIONAL, INC.**  
 1718 WEST MISHAWAKA ROAD ELKHART, IN. 46517 PHONE (219) 294-8000

**SCHEMATIC; MA-5000VZ MAIN**

PRINTS TO	DRAWN	LCD	03/20/98	APPROVED BY :	DO NOT SCALE PRINT
G	CHECKED	KW	05-29-97	ME	SUPERSEDES J0747-8 REV.-
SCALE	NONE	EE	PW	04/20/96	E.C.N. EAT#98-151
PROJ #	D356	PE	TS	04/20/96	C.P.N. SHEET 1 OF 2
NEXT ASSEMBLY					J0747-6



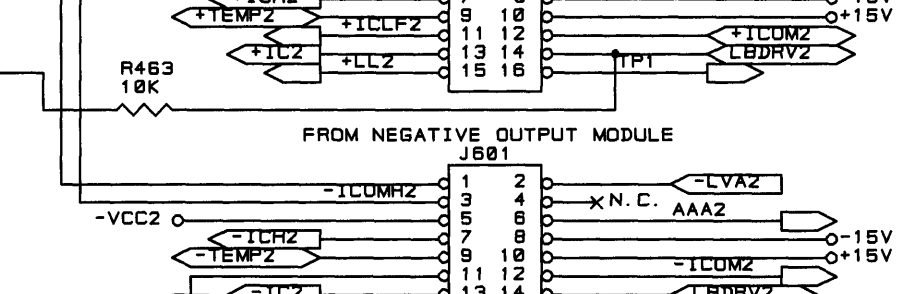
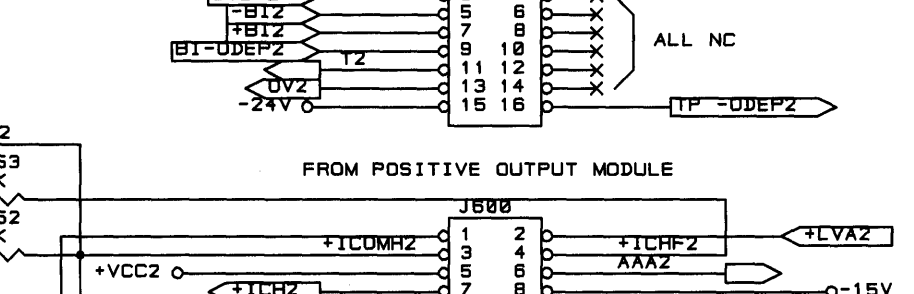
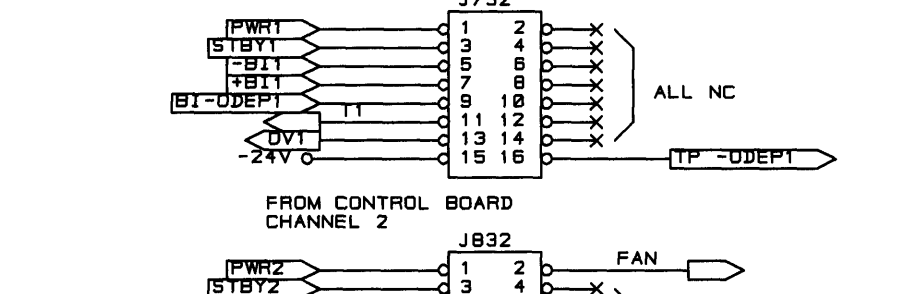
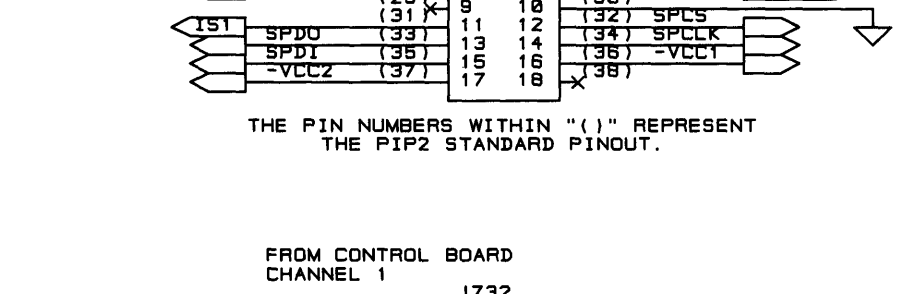
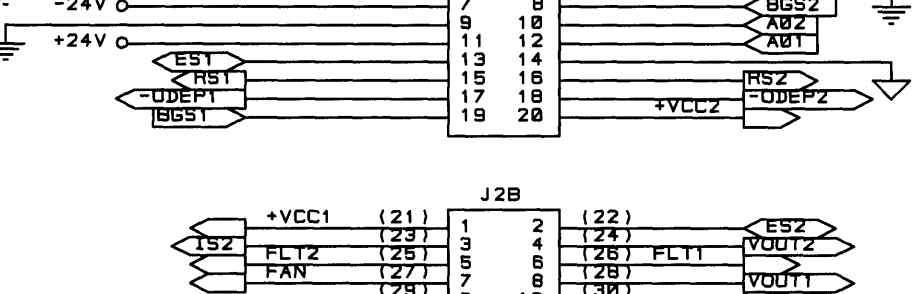
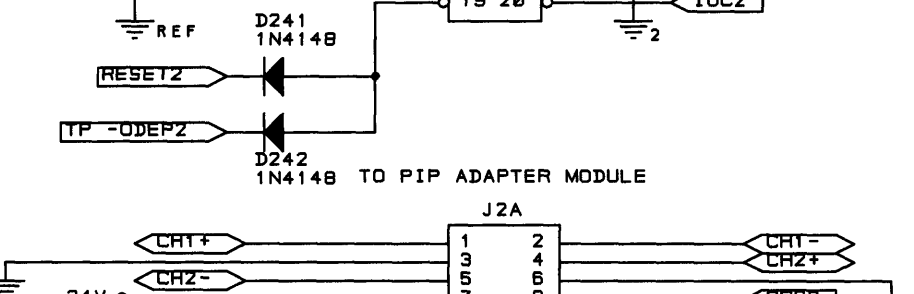
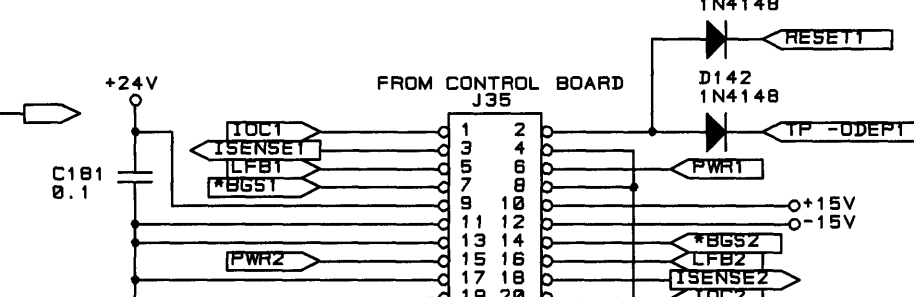
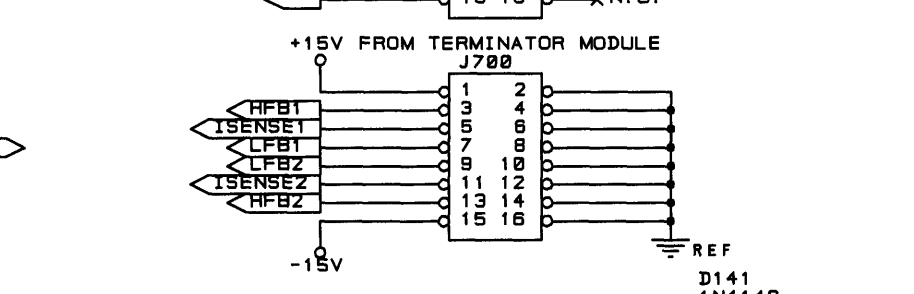
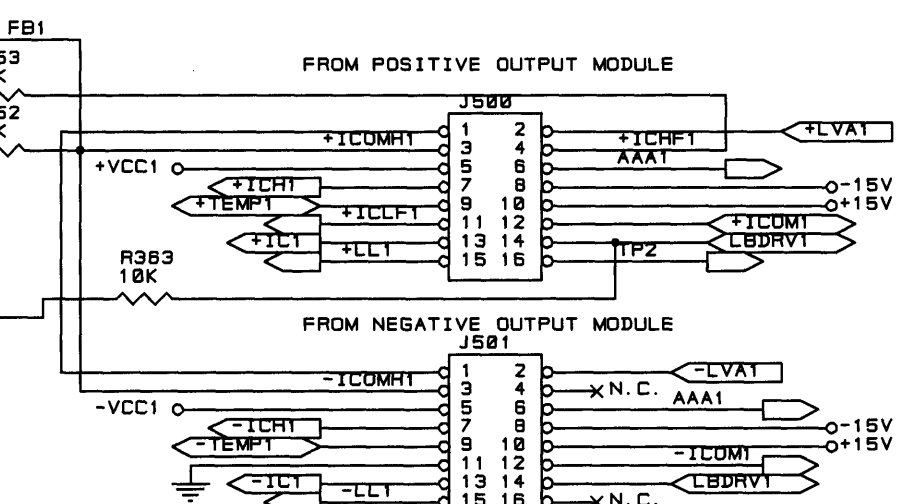
CHANNEL 1  
ADD 100 TO REFERENCE DESIGNATORS FOR CHANNEL 2

Table with 2 columns: LAST USED, OBSOLETE. Lists component designators and their status.

COMMON COMPONENTS

Table with 2 columns: LAST USED, OBSOLETE. Lists common component designators and their status.

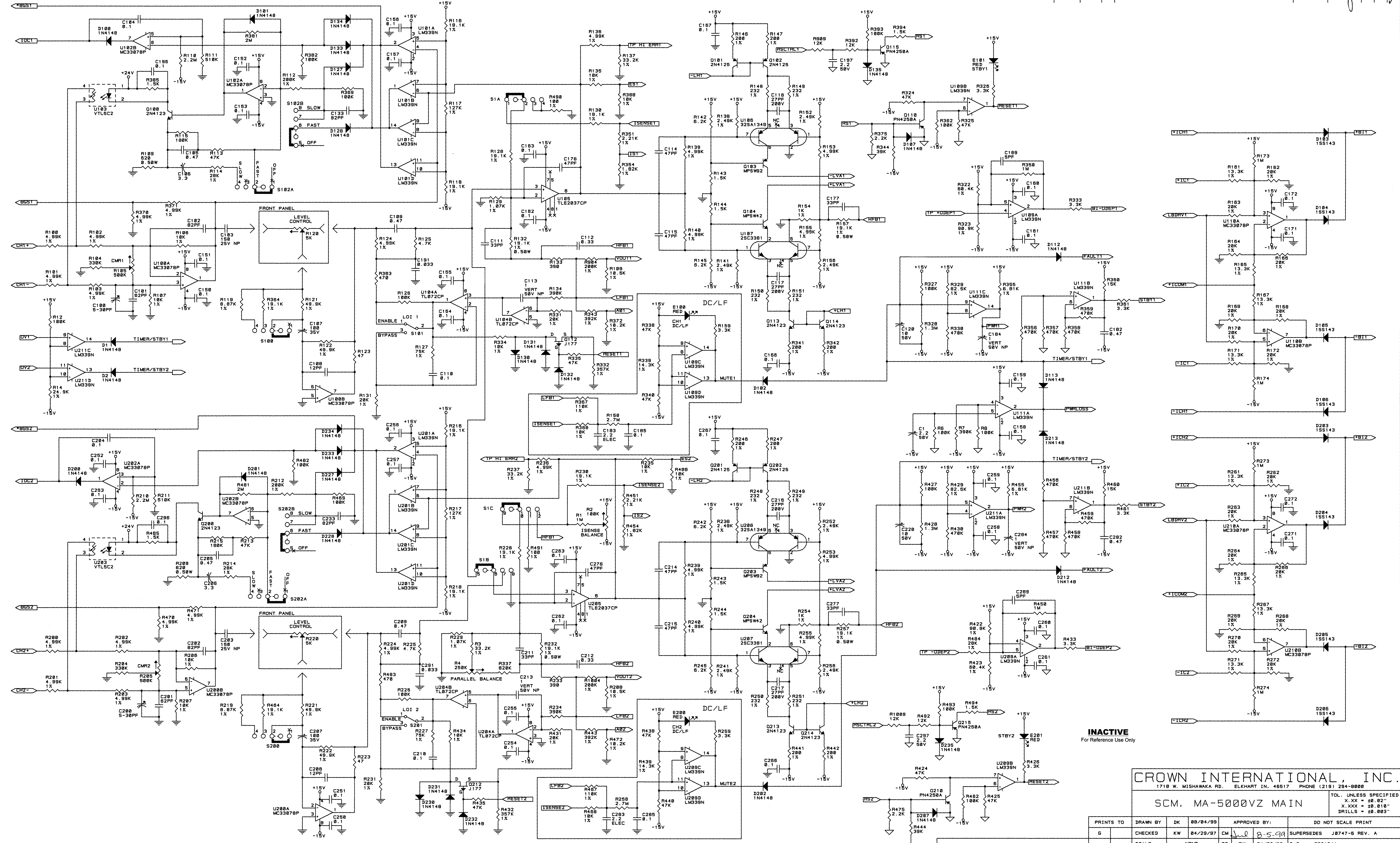
- NOTES: 1. ALL RESISTORS ARE IN OHMS... 2. ALL CAPACITORS ARE IN MICROFARADS... 3. (\*) DENOTES A NOT STATEMENT... 4. PCB CPN: D 9101-5... 5. MODULE DOC. CPN: 043511-7.



INACTIVE  
For Reference Use Only

THESE DRAWINGS AND SPECIFICATIONS ARE THE PROPERTY OF CROWN INTERNATIONAL, INC. AND SHALL NOT BE REPRODUCED, COPIED, OR USED AS THE BASIS FOR THE MANUFACTURE OR SALE OF APPARATUS OR DEVICES WITHOUT PERMISSION.

E.C.N.	ZONE	REV	DESCRIPTION	DATE	BY	APPROVAL
		A	J2A WAS C10235-7, J2B WAS C10236-5, U107, U113, U207, U213, WERE C 0810-1, E100, E101, E102, E200, E201, E202, WERE C 4341-1, R132, R232 WERE A10265-19121, R343, R443 WERE 392K, R372, R472 WERE 10.2K	09/24/97	TLM	KW
T991644		B	INCORPORATE CHANGES OF EC 07E0221, 07E0102, & 98E0340.	08/04/99	DK	[Signature]



**INACTIVE**  
For Reference Use Only

**CROWN INTERNATIONAL, INC.**  
1718 W. MISHAWAKA RD., ELKHART IN, 46517 PHONE (219) 294-0000

**SCM, MA-5000VZ MAIN**

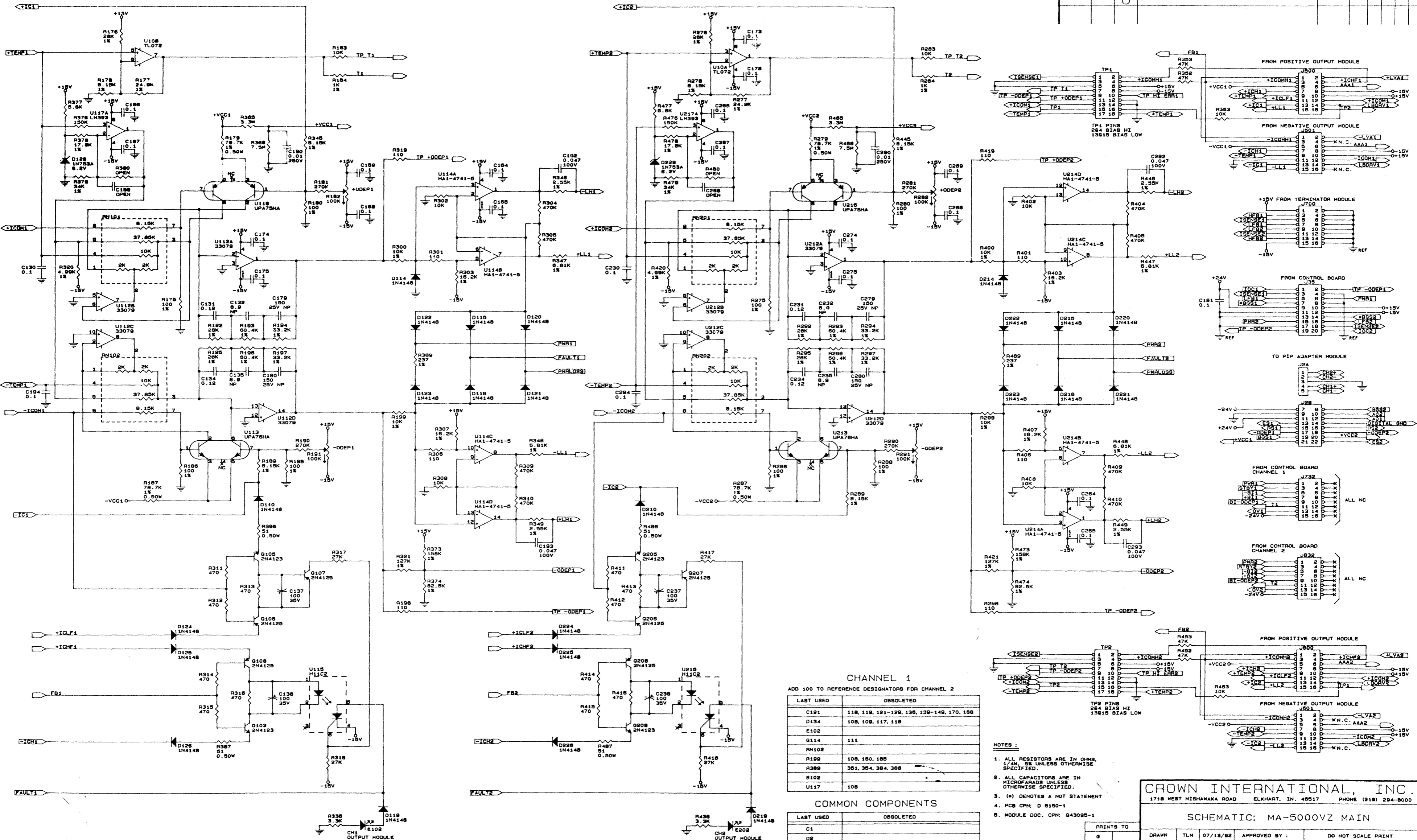
TOL. UNLESS SPECIFIED  
X.XX = .002"  
X.XXX = .010"  
DRILLS = .003"

PRINTS TO	DRAWN BY	DK	08/04/99	APPROVED BY:	DO NOT SCALE PRINT
G	CHECKED	KW	04/29/97	CM	0-5-99
	SCALE	NDN	EE	PW	04/28/96
	PROJ. #	MD24750	PE	TS	04/20/96
	FILENAME:	J0747-B.B.SCM	NEXT ASSEMBLY:		J0747-6

THESE DRAWINGS AND SPECIFICATIONS ARE THE PROPERTY OF CROWN INTERNATIONAL, INC. AND SHALL NOT BE REPRODUCED, COPIED, OR USED AS THE BASIS FOR THE MANUFACTURE OR SALE OF APPARATUS OR DEVICES WITHOUT PERMISSION.

TOL. UNLESS SPECIFIED  
X.XX = .002"  
X.XXX = .010"  
DRILLS = .003"

REV SHEET 1 OF 2



CHANNEL 1  
ADD 100 TO REFERENCE DESIGNATORS FOR CHANNEL 2

LAST USED	OBSOLETE
C101	110, 119, 121-129, 130, 139-149, 170, 188
D134	108, 109, 117, 118
E102	
G114	111
RN102	
R109	108, 160, 185
R389	351, 354, 384, 388
S102	
U117	108

COMMON COMPONENTS

LAST USED	OBSOLETE
C1	
D2	
B1	
R14	0, 9-11, 13
U10	1-9

- NOTES:
- ALL RESISTORS ARE IN OHMS, 1/K, OR UNLESS OTHERWISE SPECIFIED.
  - ALL CAPACITORS ARE IN MICROFARADS UNLESS OTHERWISE SPECIFIED.
  - (\*) DENOTES A NOT STATEMENT
  - PCB CPH: D 8150-1
  - MODULE DOC. CPH: Q43085-1

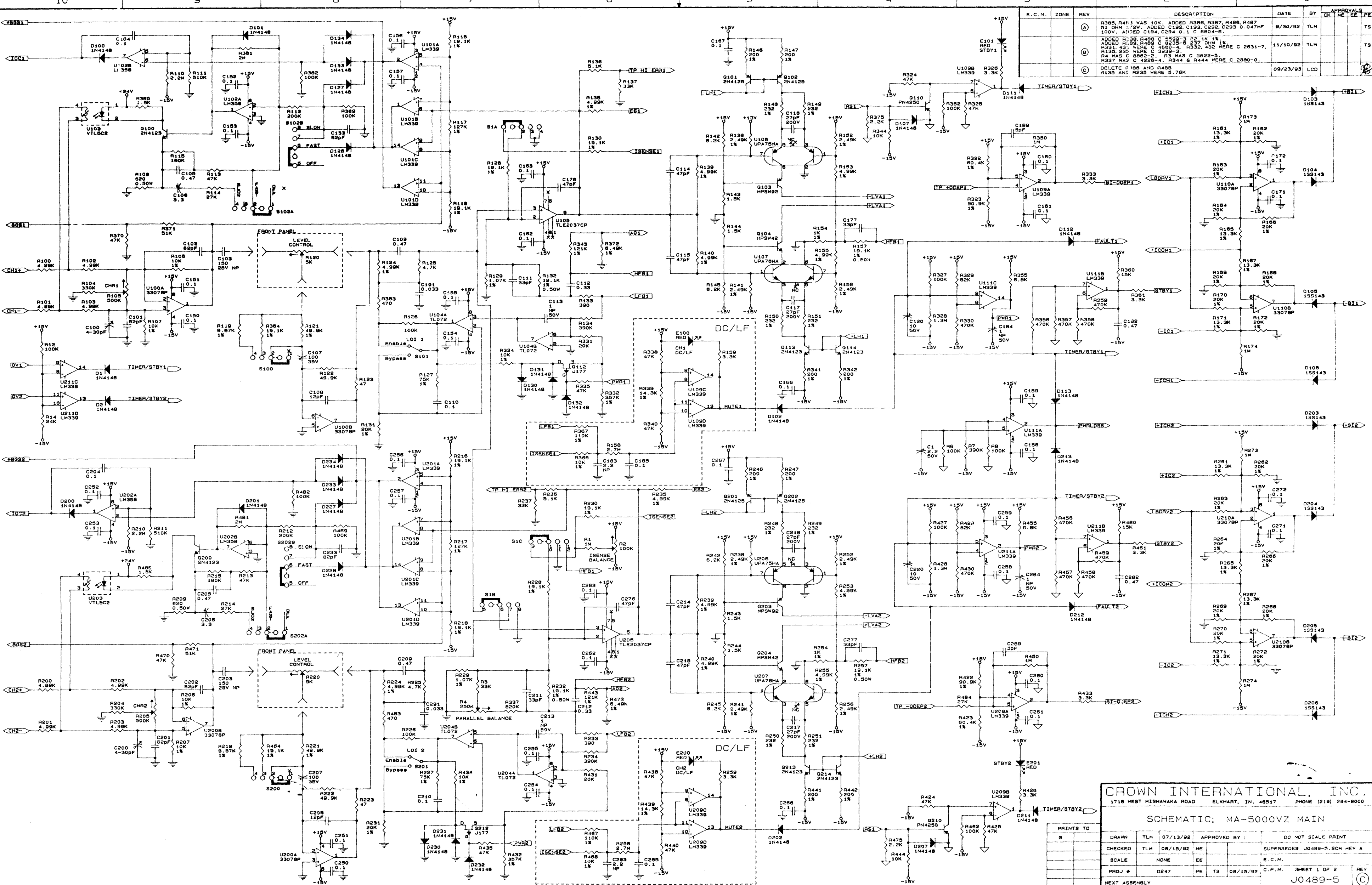
**CROWN INTERNATIONAL, INC.**  
1718 WEST WISHAWAKA ROAD ELKHART, IN. 46517 PHONE (219) 294-8000

**SCHMATIC; MA-5000VZ MAIN**

PRINTS TO	0
DRAWN	TLM 07/13/92
CHECKED	TLM 08/15/92
SCALE	NGNE EE
PROJ #	D247 PE TS 08/15/92
NEXT ASSEMBLY	

DO NOT SCALE PRINT  
SUPERSEDES J0489-5 SCH REV A  
E.C.N.  
C.P.N. SHEET 2 OF 2  
REV J0489-5

E.C.N.	ZONE	REV	DESCRIPTION	DATE	BY	APPROVALS
(A)			R385, R413 WAS 10K. ADDED R386, R387, R488, R487 R1 OHM 1/2W. ADDED C192, C193, C292, C293 0.047HF 100V. ADDED C194, C294 0.1 C 8804-5.	8/30/92	TLM	TS
(B)			ADDED R138, R489 C 5599-3 22.1K 1% ADDED R139, R489 C 9235-B 237 OHM 1% R333, 433 WERE C 4880-4, R332, 432 WERE C 2631-7, R135, 235 WERE C 3939-3, R337 WAS C 8862-2, R3 WAS C 3622-5, R337 WAS C 4228-4, R344 & R444 WERE C 2880-0.	11/10/92	TLM	TS
(C)			DELETE R188 AND R488 R135 AND R235 WERE 5.76K	09/23/93	LCD	

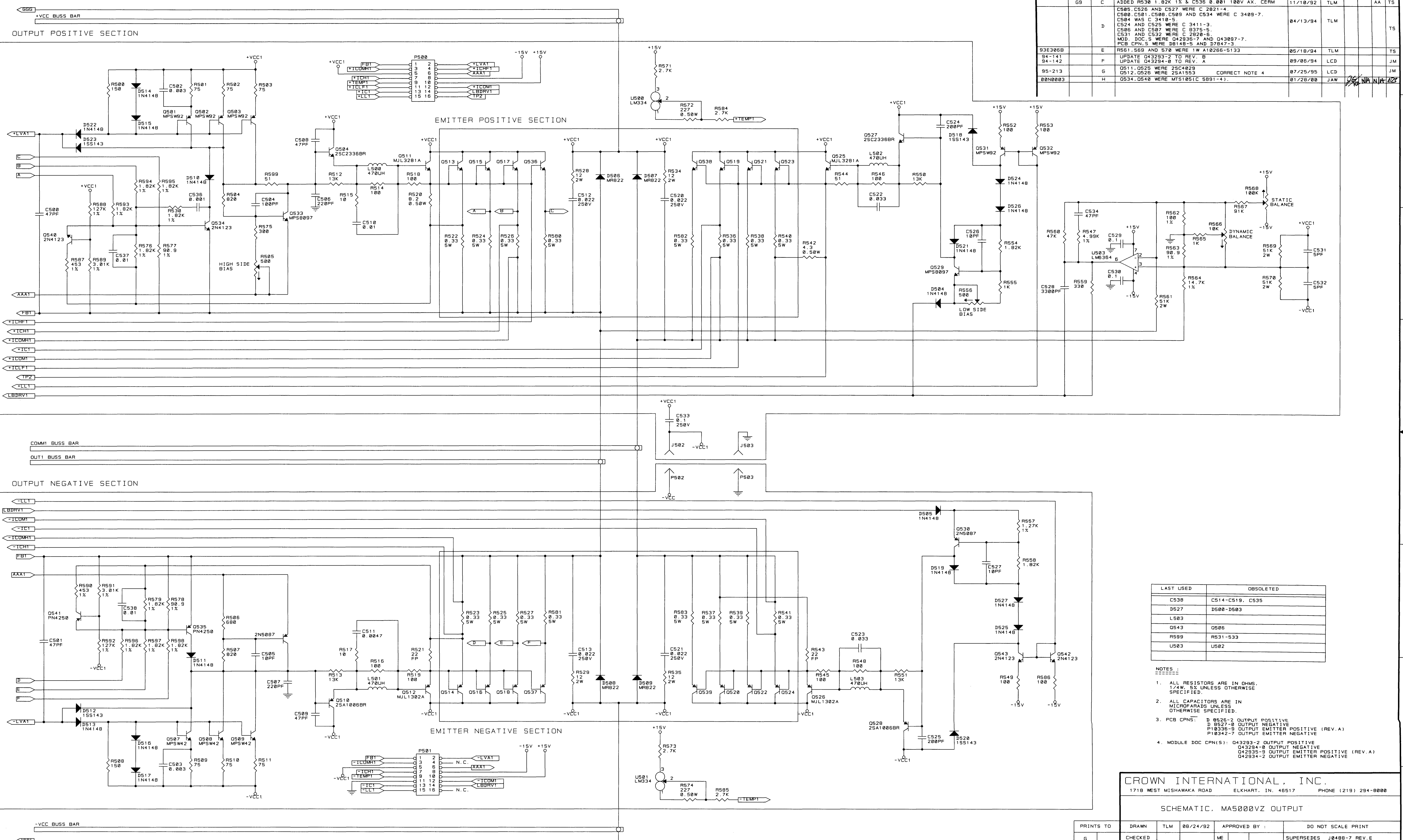


**CROWN INTERNATIONAL, INC.**  
 1718 WEST MISHAMAKA ROAD ELKHART, IN. 46517 PHONE (219) 294-8000

**SCHEMATIC: MA-5000VZ MAIN**

PRINTS TO	0			
DRAWN	TLM	07/13/92	APPROVED BY :	DO NOT SCALE PRINT
CHECKED	TLM	08/15/92	ME	SUPERSEDES J0489-5, SCH REV A
SCALE	NONE		EE	E.C.N.
PROJ #	D247		PE TS	08/15/92
NEXT ASSEMBLY				3 SHEET 1 OF 2
				J0489-5

E. C. N.	ZONE	REV	DESCRIPTION	DATE	BY	APPROVALS
	B		R588 & R592 WAS C 5727-0.	9/03/92	TLM	TS
G9	C		ADDED R530 1.82K 1% & C536 0.001 100V AX. CERM	11/10/92	TLM	AA TS
	D		C585, C526 AND C527 WERE C 2821-4. C580, C501, C508, C509 AND C534 WERE C 3409-7. C504 WAS C 3410-5. C524 AND C525 WERE C 3411-3. C505 AND C507 WERE C 8375-5. C531 AND C532 WERE C 2820-8. MOD. DOC. 5 WERE Q4293-7 AND Q43097-7. PCB CPN. 5 WERE DB148-5 AND DB47-3	04/13/94	TLM	TS
93E206B	E		R561, 569 AND 570 WERE 1W A10266-5133	05/18/94	TLM	TS
94-141 94-142	F		UPDATE Q4293-7 TO REV. A UPDATE Q43294-0 TO REV. A	09/06/94	LCD	JM
95-213	G		O511, O525 WERE 25C4029 O512, O526 WERE 25A1553	07/25/95	LCD	JM
00N0003	H		O534, O540 WERE MTS105TC 5691-47.	01/28/00	JAW	TS WA N/A 22



LAST USED	OBSOLETE
C538	C514-C519, C535
D527	D500-D503
L503	
O543	O506
R589	R531-533
U503	U502

- NOTES:
- ALL RESISTORS ARE IN OHMS, 1/4W, 5% UNLESS OTHERWISE SPECIFIED.
  - ALL CAPACITORS ARE IN MICROFARADS UNLESS OTHERWISE SPECIFIED.
  - PCB CPN(S): D 0526-2 OUTPUT POSITIVE  
D 0527-0 OUTPUT NEGATIVE  
P18336-9 OUTPUT EMITTER POSITIVE (REV. A)  
P18342-7 OUTPUT EMITTER NEGATIVE
  - MODULE DOC CPN(S): Q43293-2 OUTPUT POSITIVE  
Q43294-0 OUTPUT NEGATIVE  
Q42935-9 OUTPUT EMITTER POSITIVE (REV. A)  
Q42934-2 OUTPUT EMITTER NEGATIVE

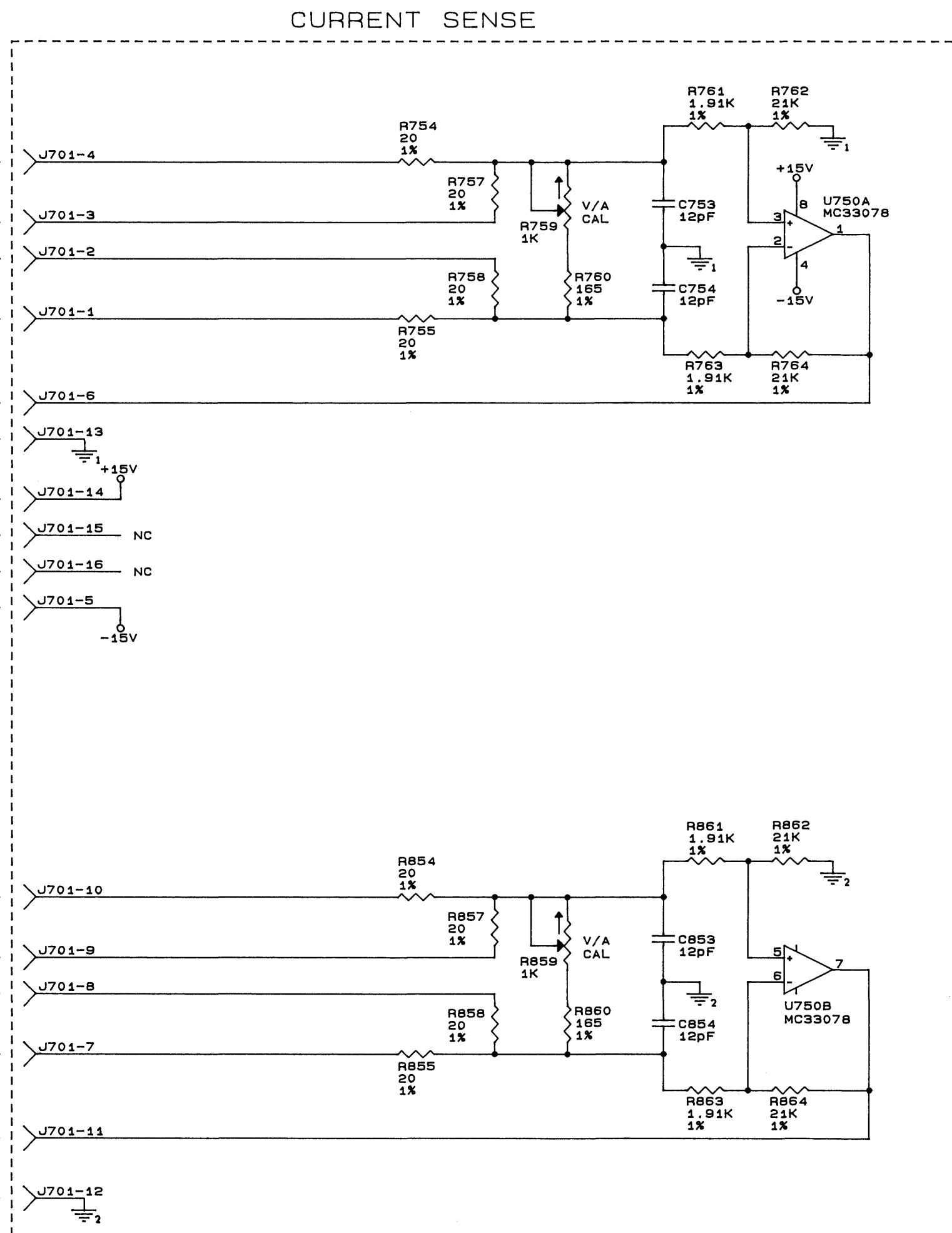
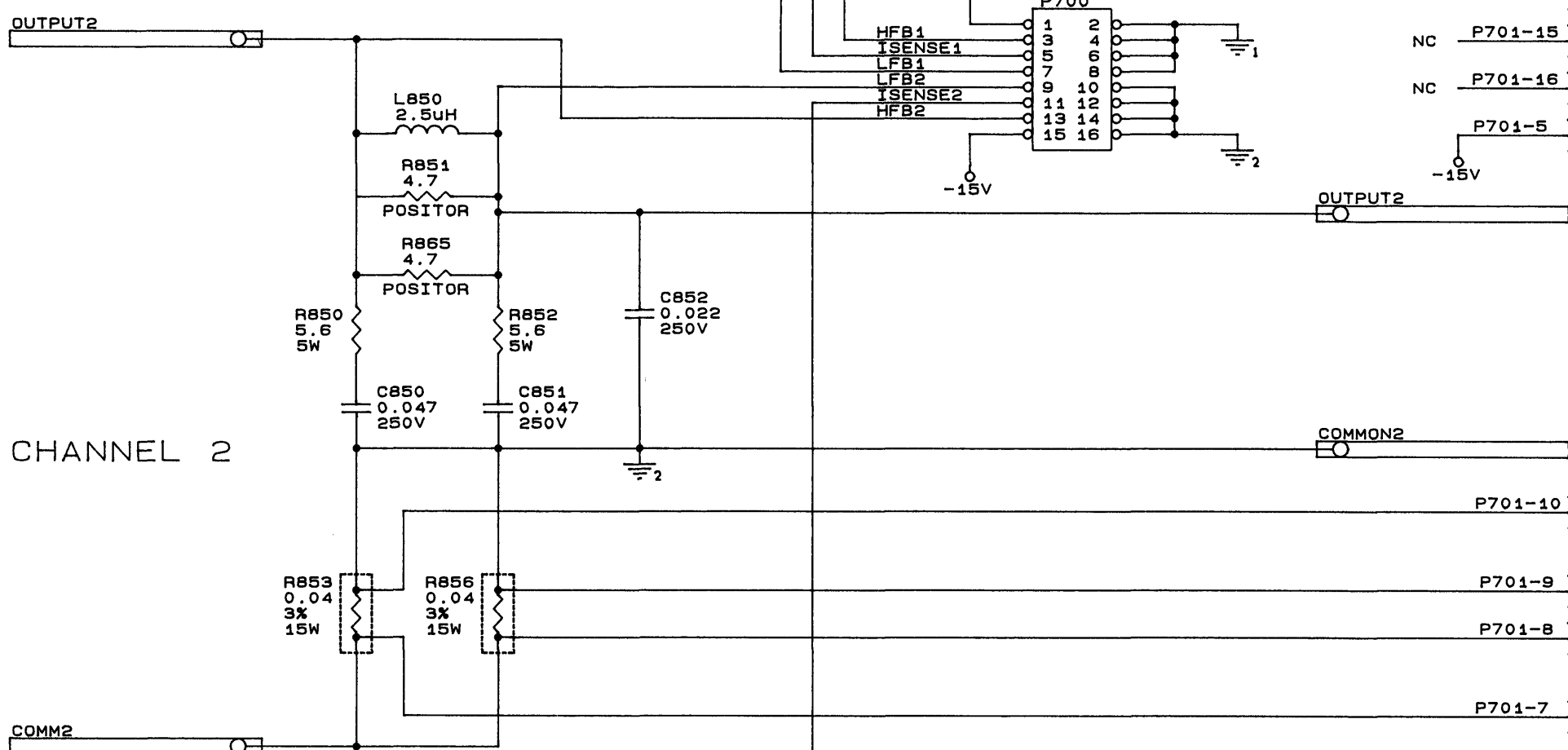
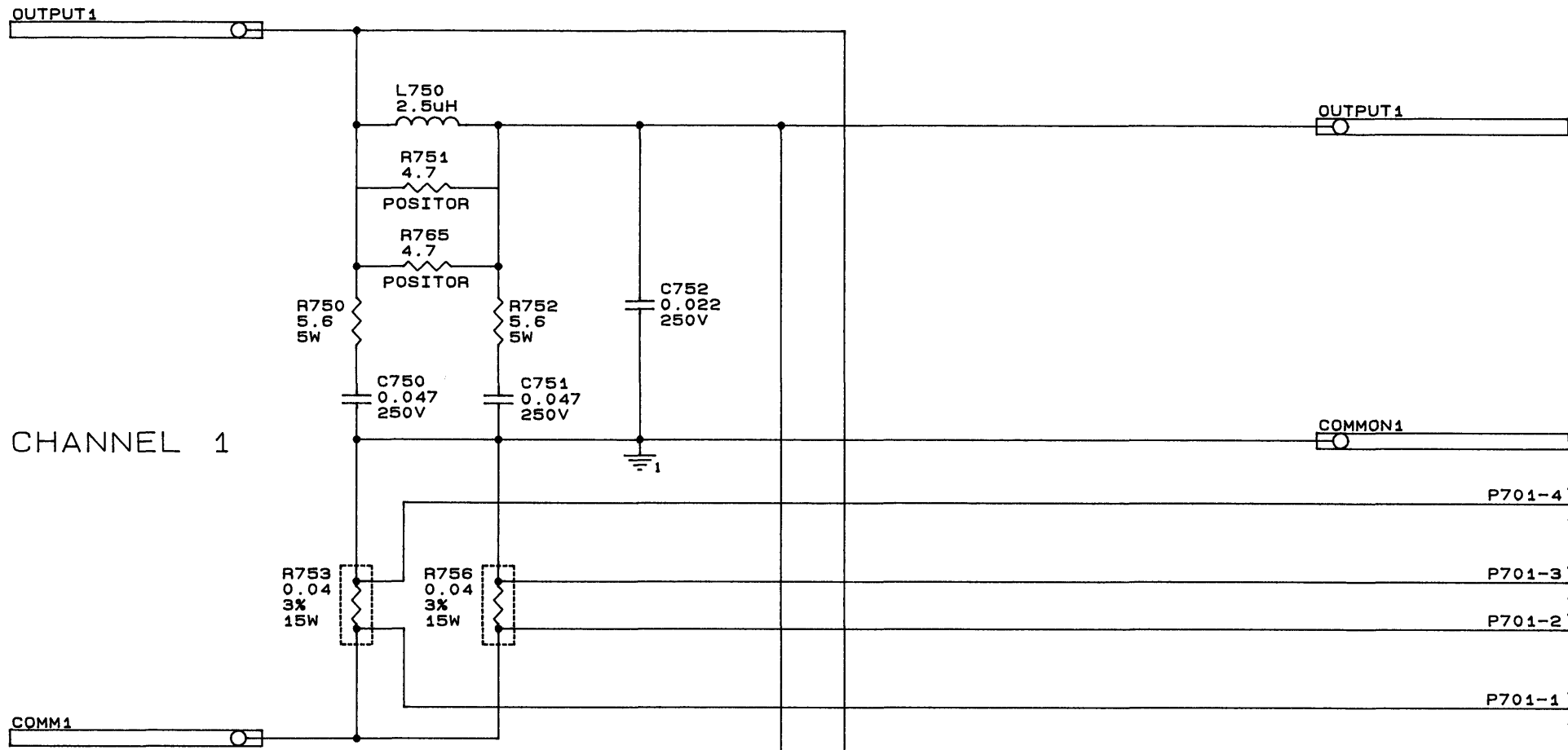
**CROWN INTERNATIONAL, INC.**  
1718 WEST MISHAWAKA ROAD ELKHART, IN. 46517 PHONE (219) 294-0000

**SCHEMATIC, MA500VZ OUTPUT**

PRINTS TO	DRAWN	TLM	08/24/92	APPROVED BY :	DO NOT SCALE PRINT
G	CHECKED			ME	SUPERSEDES J0400-7 REV. E
	SCALE	NONE		EE	E. C. N.
	PROJ	D247		PE TS	C. P. N.
	NEXT ASSEMBLY				J0400-7

REV H

E.C.N.	ZONE	REV	DESCRIPTION	DATE	BY	APPROVALS
		A	C750, 751, 850, 851 WERE C 8511-5 ARE NOW C 9609-6 NOTE 4 WAS D7994-3 NOTE 5 WAS G432932-6 ADD NOTE 6	10/26/93	LCD	AA
		B	C753, C754, C853, C854 WERE 10pF CORRECT NOTE 6 (WAS C 9609-6)	01/20/94	LCD	TS
95-265		C	R760 AND R780 WERE 237 OHM	11/06/95	LCD	<i>[Signature]</i>



**INACTIVE**  
For Reference Use Only

**CHANNEL 1**

LAST USED	OBSOLETE
C754	C700-C753
L750	L700-L749
R765	R700-R749
U750	U700-U749

**CHANNEL 2**

LAST USED	OBSOLETE
C854	C800-C853
L850	L800-L849
R865	R800-R849

**NOTES :**

1. ALL RESISTORS ARE IN OHMS, 1/4W, 5% UNLESS OTHERWISE SPECIFIED.
2. ALL CAPACITORS ARE IN MICROFARADS UNLESS OTHERWISE SPECIFIED.
3. REFERENCE DESIGNATORS BEGIN AT 750/850.
4. PCB CPN: D 8372-1
5. MODULE CPN: G43234-6 REV. B
6. CAPACITOR PART NUMBER C 9609-6 HAS BEEN CHANGED TO A10434-473JD

**CROWN INTERNATIONAL, INC.**  
1718 WEST MISHAWAKA ROAD ELKHART, IN. 46517 PHONE (219) 294-8000

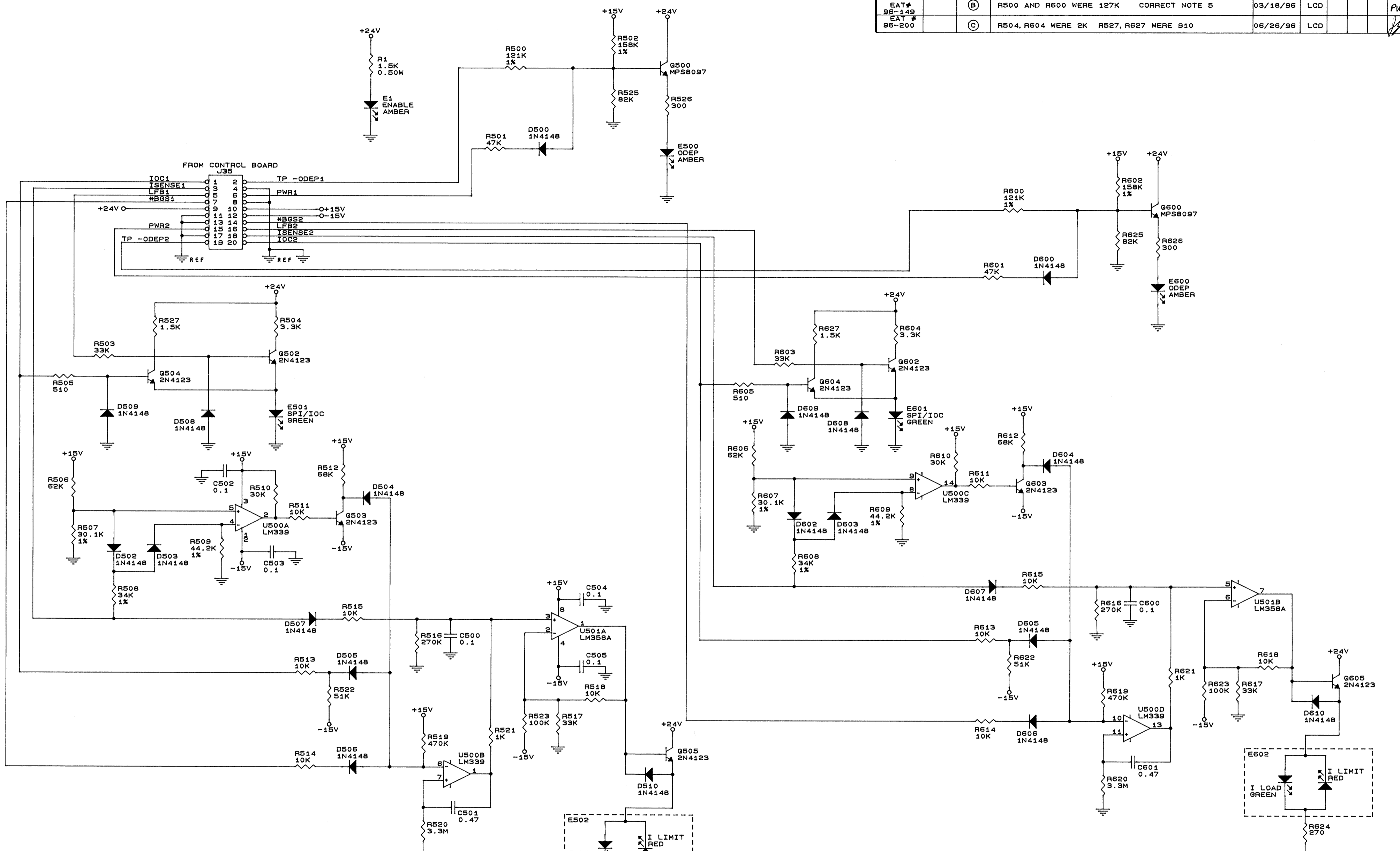
**SCHEMATIC; MA-5000VZ TERMINATOR**

PRINTS TO	DRAWN	TLM	1/7/92	APPROVED BY :	DO NOT SCALE PRINT
G	CHECKED			ME	SUPERSEDES J0487-9 REV B
	SCALE	NONE		EE	E.C.N.
	PROJ #	D247		PE TS	C.P.N.
	NEXT ASSEMBLY				REV

J0487-9 **C**



E.C.N.	ZONE	REV	DESCRIPTION	DATE	BY	APPROVALS		
						CK	ME	EE
	F5	(A)	CORRECTED CPN ON R502, R602 WAS C 2876-8 ADDED MODULE DOC. CPN NOTE.	9/21/92	TLM			
EAT# 96-149		(B)	R500 AND R600 WERE 127K CORRECT NOTE 5	03/18/96	LCD			PW
EAT# 96-200		(C)	R504, R604 WERE 2K R527, R627 WERE 910	06/26/96	LCD			



LAST USED	OBSOLETE
C505	
C601	
D510	D501
D610	D601
E502	
E602	
R527	
R627	
Q505	Q501
Q605	Q601
U501	

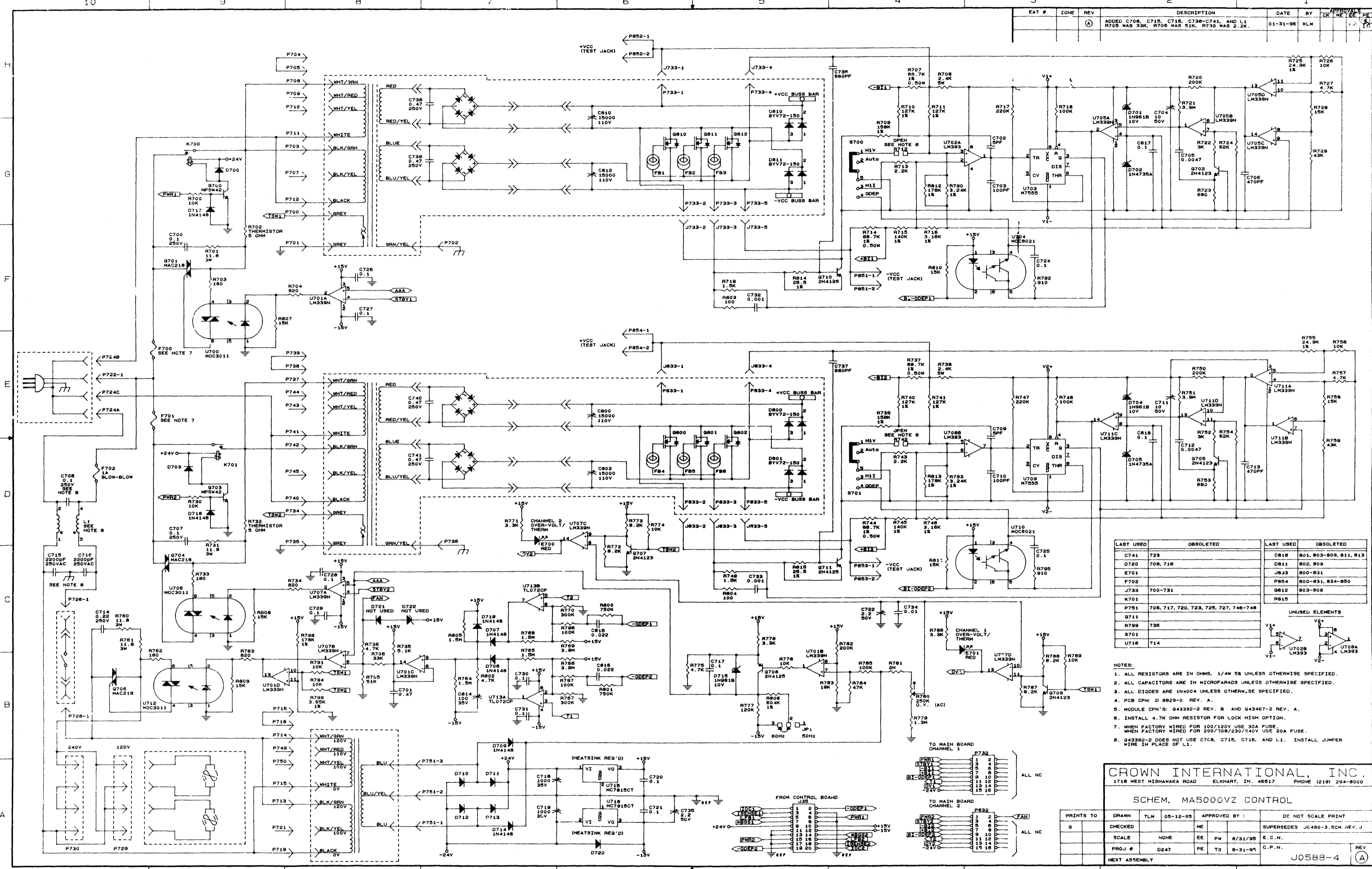
- NOTES :
1. ALL RESISTORS ARE IN OHMS. 1/4W, 5% UNLESS OTHERWISE SPECIFIED.
  2. ALL CAPACITORS ARE IN MICROFARADS UNLESS OTHERWISE SPECIFIED.
  3. (\*) DENOTES A NOT STATEMENT.
  4. PCB CPN: D7845-7 (REV. A)
  5. MODULE DOC. CPN: G42929-2 (REV. D)

**CROWN INTERNATIONAL, INC.**  
 1718 WEST MISHAWAKA ROAD ELKHART, IN. 46517 PHONE (219) 294-8000

**SCHEMATIC; MA-5000VZ DISPLAY**

PRINTS TO		DRAWN		TLM		7-29-91		APPROVED BY :		DO NOT SCALE PRINT	
G											
		CHECKED						ME			SUPERSEDES J0491-1.SCM REV. -
		SCALE		NONE				EE	AA	8/10/92	E.C.N.
		PROJ #		D247				PE	TS	8/10/92	C.P.N.
		NEXT ASSEMBLY									J0491-1

EAT #	ZONE	REV	DESCRIPTION	DATE	BY	CHK	APP
			ADDED C708, C715, C718, C738-C741 AND L1 R705 HAS 33K, R706 HAS 51K, R730 HAS 2.2K.	01-31-96	KLW		



LAST USED	OBSOLETE	LAST USED	OBSOLETE
C741	723	C818	801, 803-809, 811, 813
D720	706, 718	DB11	802, 809
E701		JB33	800-831
F702		P854	800-831, 834-850
J733	700-731	QB12	803-809
K701			
P751	706, 717, 720, 723, 725, 727, 746-748		
U711			
R799	738		
S701			
U716	714		

- NOTES:
1. ALL RESISTORS ARE IN OHMS, 1/4W 5% UNLESS OTHERWISE SPECIFIED.
  2. ALL CAPACITORS ARE IN MICROFARADS UNLESS OTHERWISE SPECIFIED.
  3. ALL DIODES ARE IN4004 UNLESS OTHERWISE SPECIFIED.
  4. PCB CPN: D 8828-0 REV. A.
  5. MODULE CPN'S: 043392-2 REV. B AND 043467-2 REV. A.
  6. INSTALL 4.7K OHM RESISTOR FOR LOCK HIGH OPTION.
  7. WHEN FACTORY WIRED FOR 100/120V USE 30A FUSE. WHEN FACTORY WIRED FOR 200/100/230/240V USE 20A FUSE.
  8. 043392-2 DOES NOT USE C708, C715, C716, AND L1. INSTALL JUMPER WIRE IN PLACE OF L1.

**CROWN INTERNATIONAL, INC.**  
1718 WEST MISHAKA ROAD ELKHART, IN. 46517 PHONE (219) 294-8000

**SCHEM. MA5000VZ CONTROL**

PRINTS TO	DRAWN	TLH	05-12-95	APPROVED BY:	DC NOT SCALE PRINT
0	CHECKED	HE		SUPERSEDES JC480-3 SCH REV. J	
	SCALE	NONE	EE PW	8/31/95	E.C.N.
	PROJ #	D247	PE TS	8-31-95	C.P.N.
	NEXT ASSEMBLY				

REV J0588-4