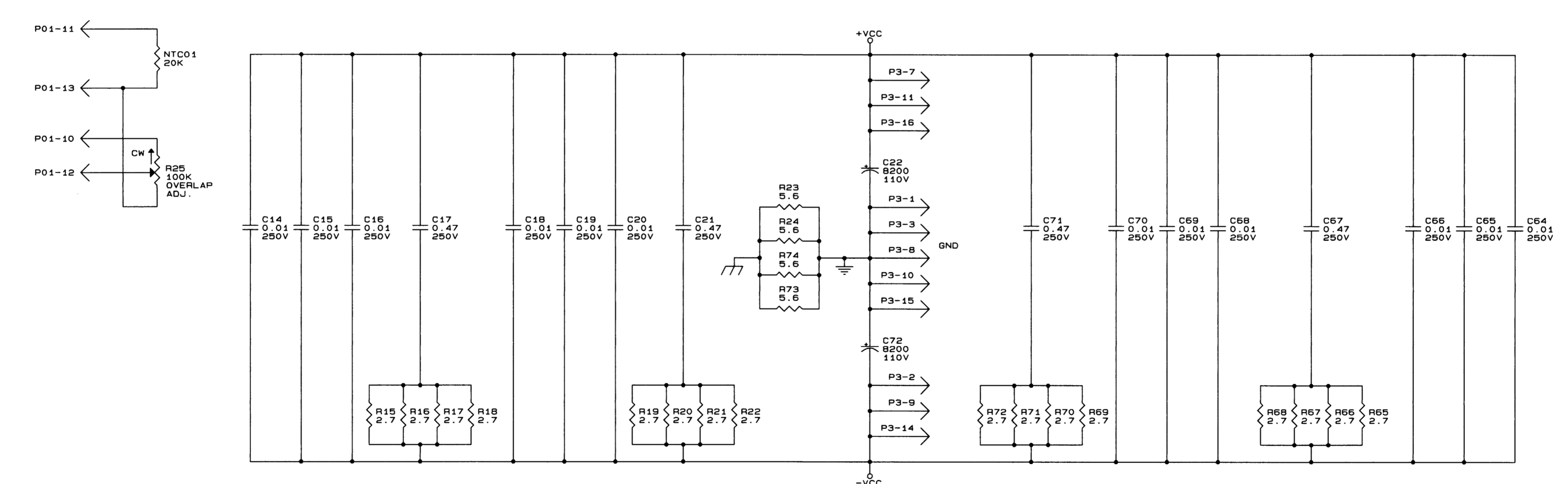
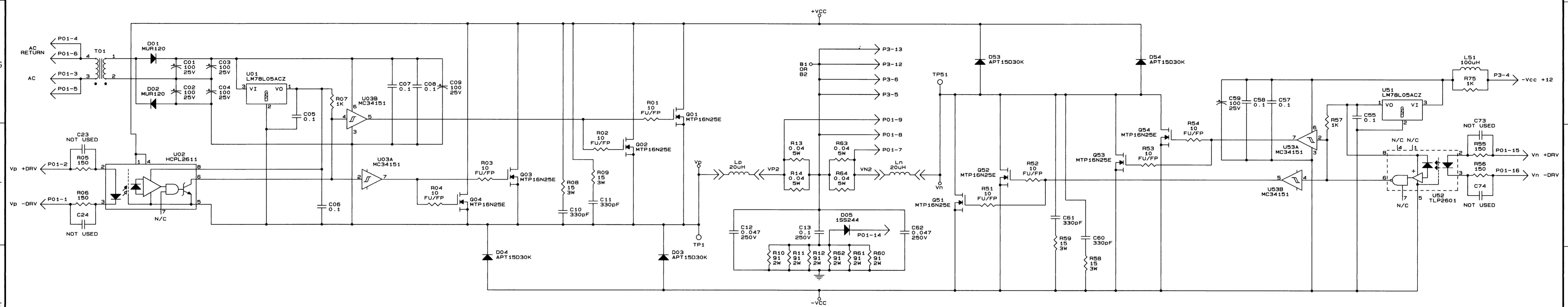


EAT #	ZONE	REV	DESCRIPTION	DATE	BY	APPROVALS
		A	INITIAL RELEASE	09-06-96	KLW	CK ME EE PE JW
	A7	B	REVISED NOTE 3.	01-10-97	KLW	
S00479		C	ADDED 100437-3 AND 100438-3 TO NOTE 3. D05 WAS 1N4148.	11-03-97	KLW	JAW
S00479		D	RE-NUMBERED PINS ON T01.	02-13-98	JAW	Kw



- NOTES :
- ALL RESISTORS ARE IN OHMS, 1/4W, 5% UNLESS OTHERWISE SPECIFIED.
 - ALL CAPACITORS ARE IN MICROFARADS UNLESS OTHERWISE SPECIFIED.
 - THIS SCHEMATIC APPLIES TO: PRINTED WIRING BOARDS 100437-3, AND PRINTED WIRING ASSEMBLIES 100438-3.

LAST USED	OBSOLETE
C74	25-54, 56, 63
D54	6-52
L51	0-50
Q54	5-50
R75	26-50
T01	
TP51	2-50
U53	4-50

THESE DRAWINGS AND SPECIFICATIONS ARE THE PROPERTY OF CROWN INTERNATIONAL, INC. AND SHALL NOT BE REPRODUCED, COPIED, OR USED AS THE BASIS FOR THE MANUFACTURE OR SALE OF APPARATUS OR DEVICES WITHOUT PERMISSION.

CROWN INTERNATIONAL, INC.
1718 WEST MISHAWAKA ROAD ELKHART, IN. 46517 PHONE (219) 294-8000

SCH, OUTPUT K2

PRINTS TO	G
DRAWN	KLW 09-06-96
CHECKED	ME
SCALE	NONE
PROJ #	MD35050
APPROVED BY :	EE
DO NOT SCALE PRINT	
SUPERSEDES	J0755-9
E. C. N.	
C. P. N.	
REV	100436