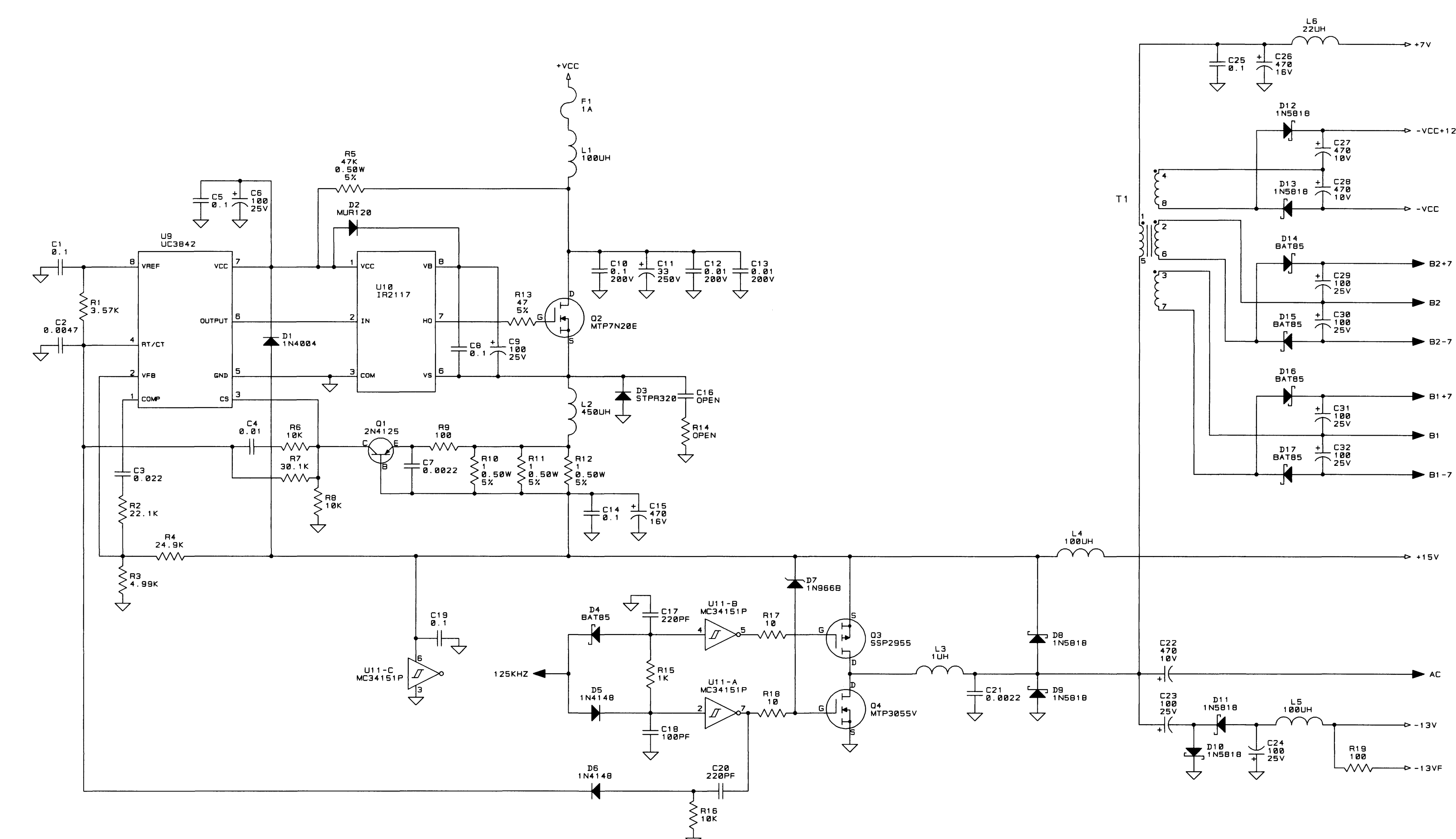
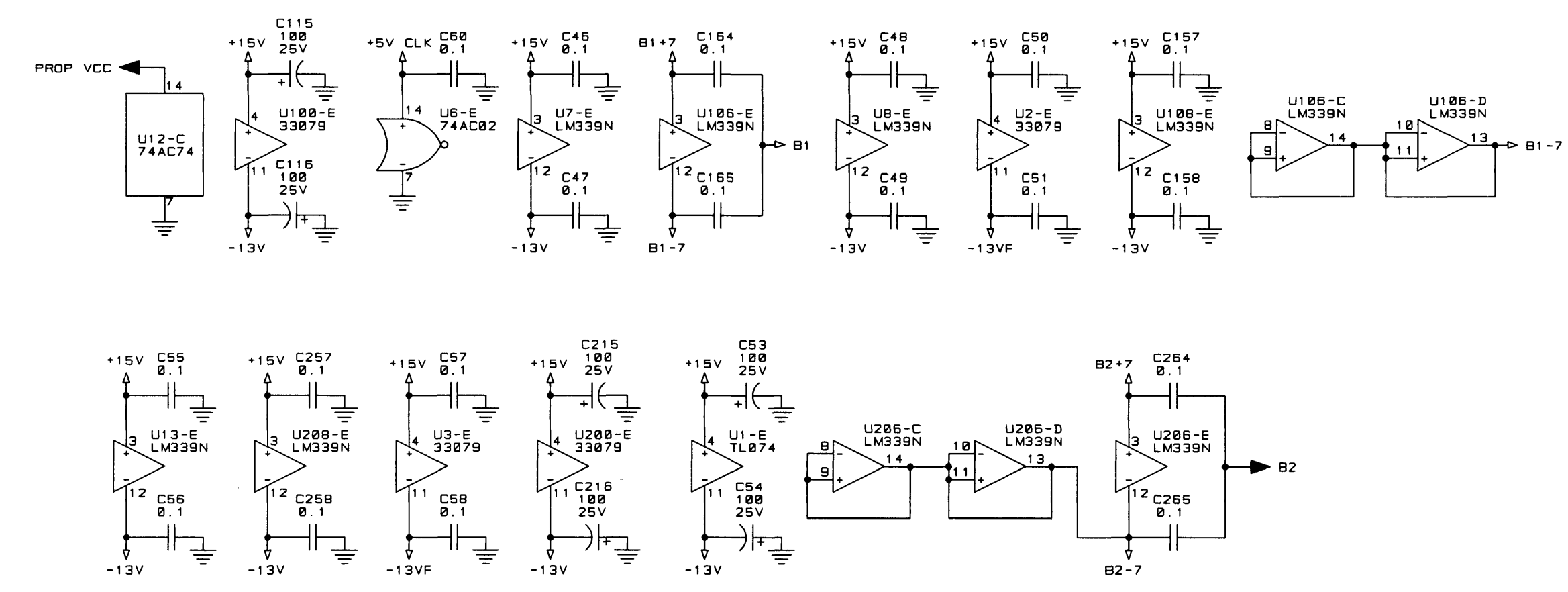


THESE DRAWINGS AND SPECIFICATIONS ARE THE PROPERTY OF CROWN INTERNATIONAL, INC. AND SHALL NOT BE REPRODUCED, COPIED, OR USED AS THE BASIS FOR THE MANUFACTURE OR SALE OF APPARATUS OR DEVICES WITHOUT PERMISSION.

1718 W. MISHAWAKA RD. ELKHART IN. 46517 PHONE (219) 294-8000

SCALE NONE DWG. NO. 100495 SHEET 2 OF 3 REV (G)

PROJ. # MD35858



LAST USED	OBSOLETE
C277	42, 62-99, 178-199
D228	28-99, 102-105, 109, 121-199, 202-205, 209
F1	
L201	1, 3, 9-100, 102-200
L204	7-99, 105-199
P201	1, 2, 4-99, 102-199
R424	50, 52, 58, 61-99, 198, 290, 312, 325-330, 339-399, 412
TP204	3-99, 105-199
T200	2-99, 101-199
UZ20	14-99, 109-119, 121-199, 209-219
Y1	

- NOTES:
1. ALL RESISTORS ARE IN OHMS, 1/4W, 1%. UNLESS OTHERWISE SPECIFIED.
  2. ALL CAPACITORS ARE IN MICROFARADS, UNLESS OTHERWISE SPECIFIED.
  3. THIS SCHEMATIC APPLIES TO: PRINTED WIRING BOARD 100496-5, PRINTED WIRING ASSEMBLY 100497-5.