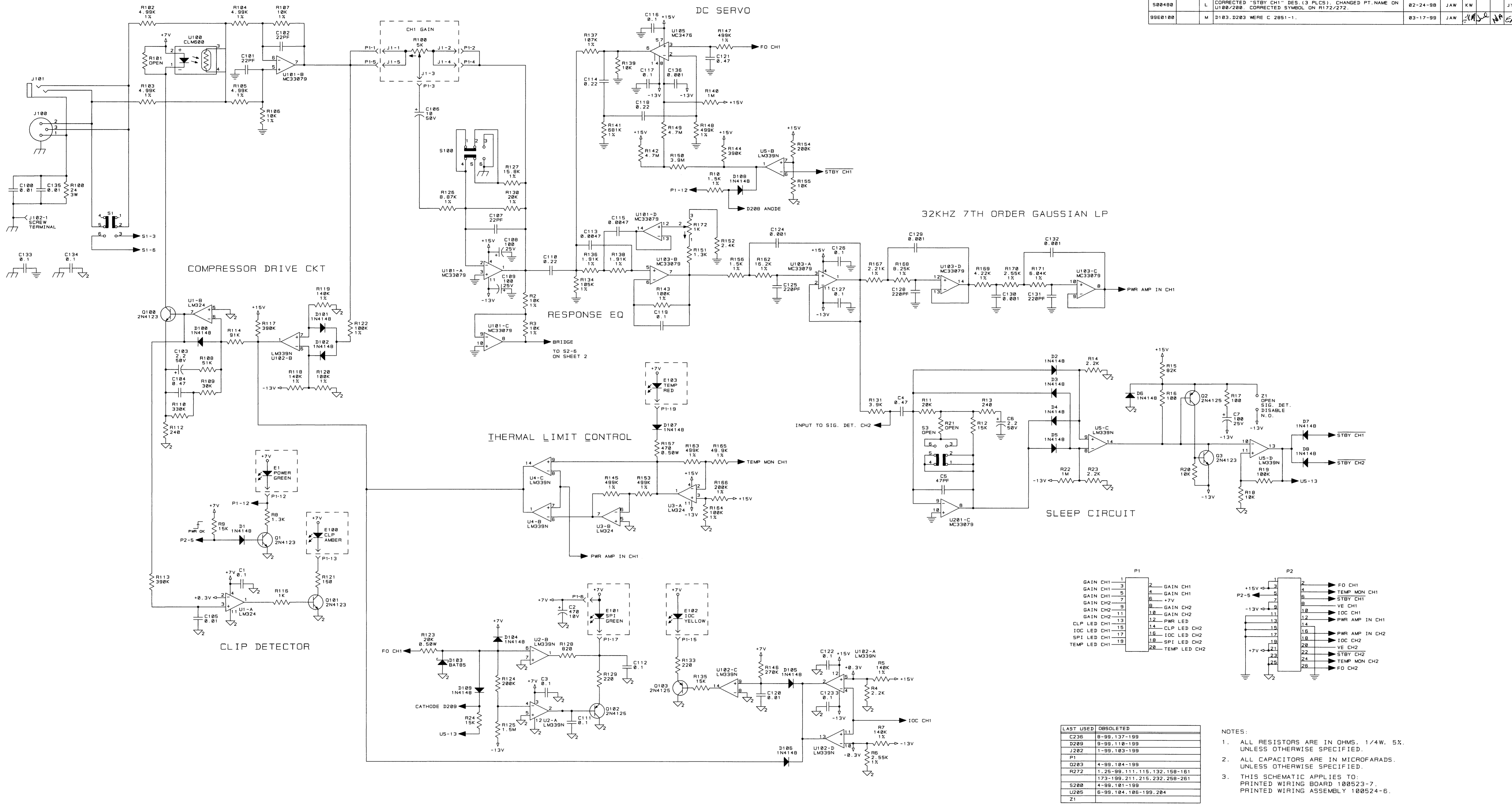


E.C.N.	ZONE	REV	DESCRIPTION	DATE	BY	APPROVAL
580480		K	ADDED D103, D203, AND R24 REVISED AND REDRAWN IN CADSTAR.	10-10-97	KLW	TLM
580480		L	CORRECTED "STBY CH1" DES (3 PLCS). CHANGED PT. NAME ON U100/200. CORRECTED SYMBOL ON R172/272.	02-24-98	JAW	KW
99E0100		M	D103, D203 WERE C 2B5-1-1.	03-17-98	JAW	EE



LAST USED	OBSOLETE
C236	8-99, 137-199
D209	9-99, 110-199
J202	1-99, 103-199
P1	
Q203	4-99, 104-199
R272	1, 25-99, 111, 115, 132, 150-161 173-199, 211, 215, 232, 250-261
S200	4-99, 101-199
U205	6-99, 104, 105-199, 204
Z1	

NOTES:

- ALL RESISTORS ARE IN OHMS, 1/4W, 5% UNLESS OTHERWISE SPECIFIED.
- ALL CAPACITORS ARE IN MICROFARADS, UNLESS OTHERWISE SPECIFIED.
- THIS SCHEMATIC APPLIES TO:  
PRINTED WIRING BOARD 100523-7.  
PRINTED WIRING ASSEMBLY 100524-6.

CROWN INTERNATIONAL, INC.  
1718 W. MISHAWAKA RD. ELKHART IN. 46517 PHONE (219) 294-8000

SCH, INPUT K2

PRINTS TO	DRAWN BY	KLW	10-07-97	APPROVED BY:	DO NOT SCALE PRINT
G	CHECKED	JAW	3-18-99	ME	SUPERSEDES
	SCALE	NONE	EE	E.C.	
	PROJ. #	MD35000	PE	JY	10-10-97
	FILENAME:	100522M.SCM	NEXT ASSEMBLY:		100522

THESE DRAWINGS AND SPECIFICATIONS ARE THE PROPERTY OF CROWN INTERNATIONAL, INC. AND SHALL NOT BE REPRODUCED, COPIED, OR USED AS THE BASIS FOR THE MANUFACTURE OR SALE OF APPARATUS OR DEVICES WITHOUT PERMISSION.

REV

