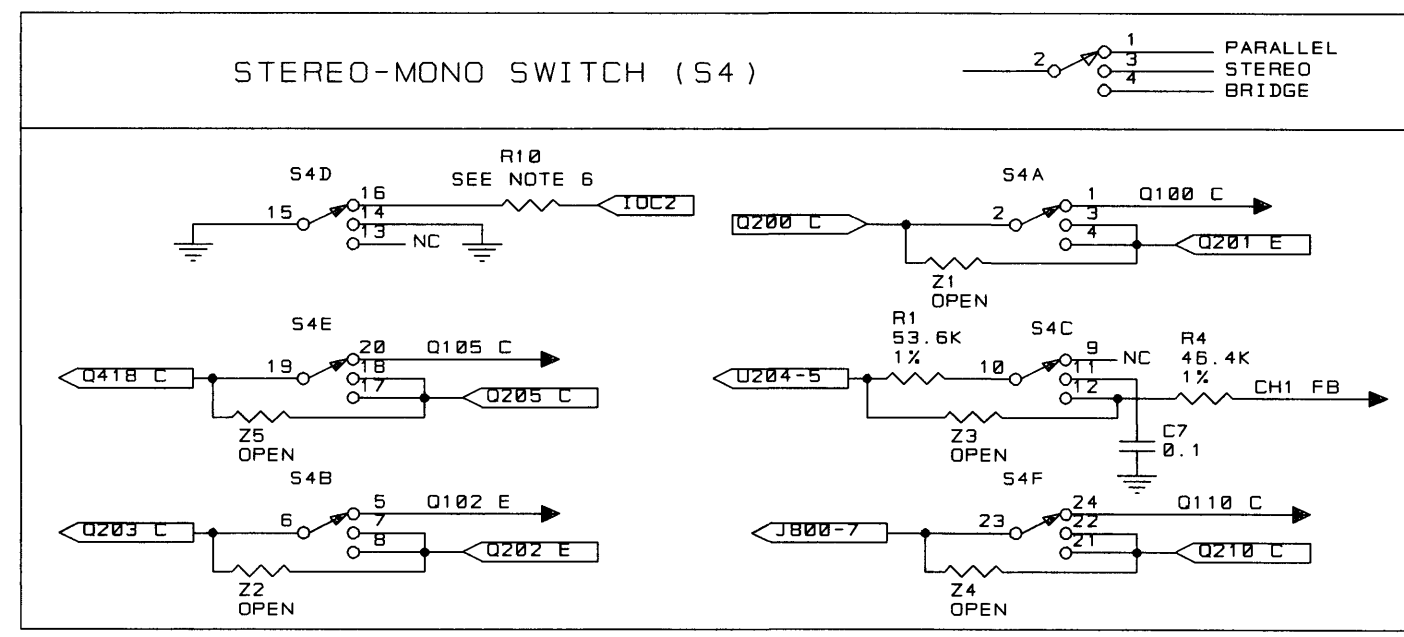
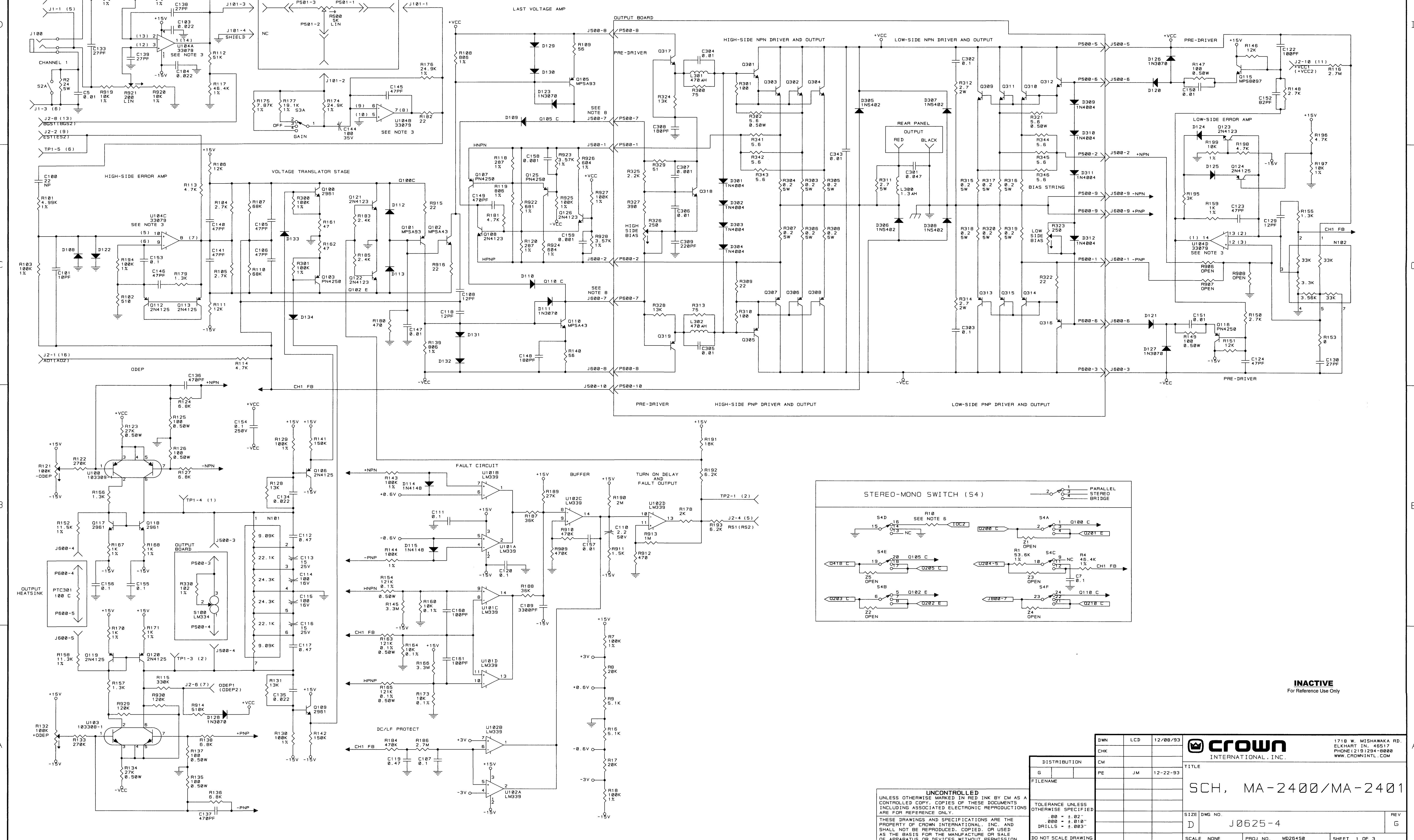


REVISION HISTORY						
E. C. N.	ZONE	REV	DESCRIPTION	DATE	APPROVED	PE
		C	ON SHEET 2, C5 WAS 1000 NOW IS C1 AT 470 C109, C209, WERE 330PF R172, R272 WERE 22.1K ADD R341, 342, 343, 344, 345, 346, 441, 442, 443.	08/03/94	LCD	JM
EAT 94-174		D	444, 445, 446	11/07/94	LCD	JM
EAT 95-244		E	R312, R314, R412, R414 WERE 1W NOW 2W	09/11/95	LCD	JM
EAT 95-217		F	CHANGE DISPLAY CONN FROM DIP TO DUAL IN LINE DELETE DISPLAY BOARD	10/09/95	LCD	TS
00N0005		G	CHANGE D109, 126, 209, 226 TO C 7458-B. CHANGE U100, 200 TO 103309-1. CHANGE U103, 203 TO 103308-1.	02/04/00	JAW	KZ



**INACTIVE**  
For Reference Use Only

DWN	LCD	12/08/93		1718 W. MISHAWAKA RD. ELKHART IN. 46517 PHONE (219) 294-8000 WWW.CROWNINTL.COM
CHK				
CM	JM	12-22-93		
PE				

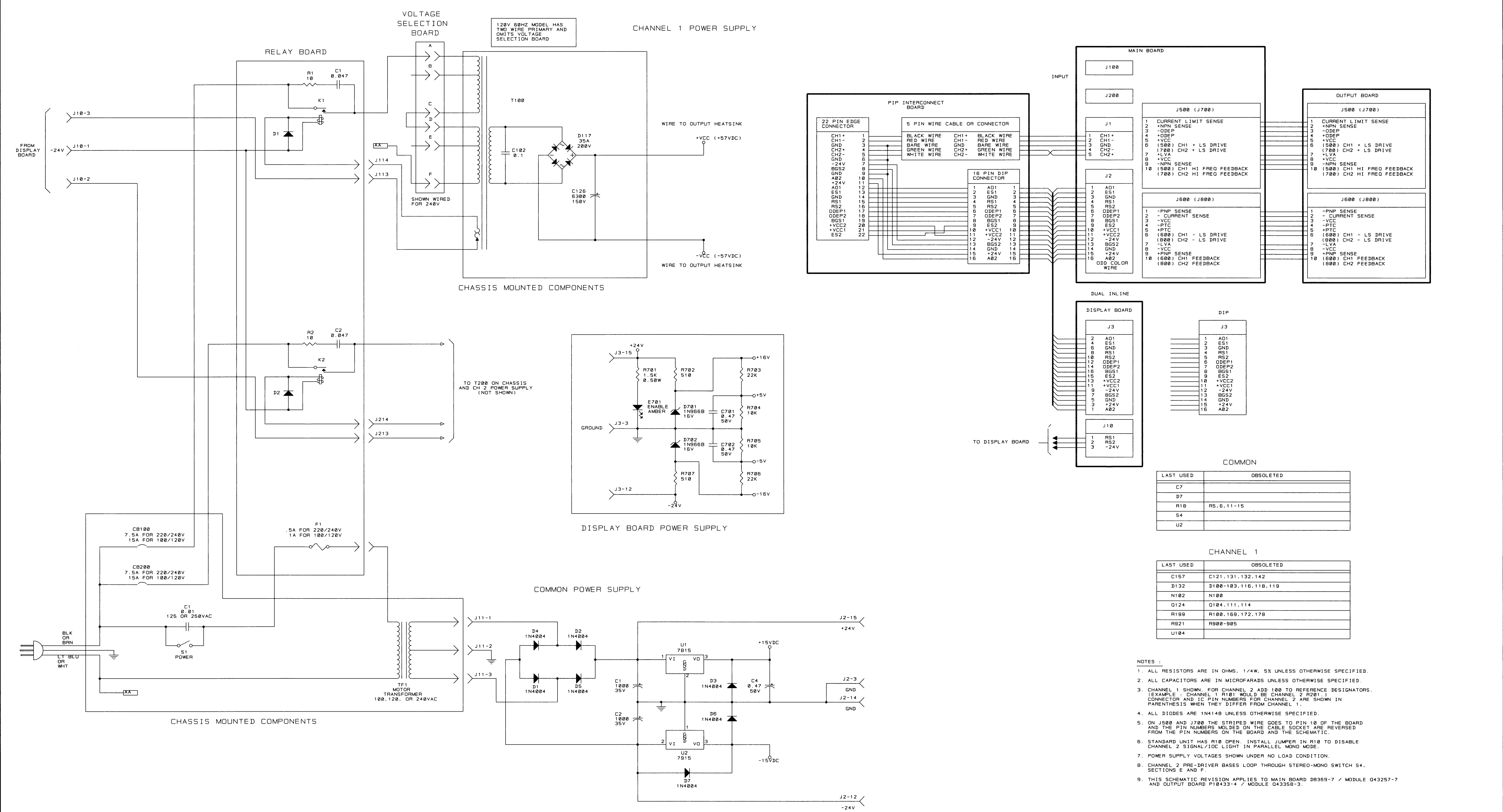
TITLE: **SCH, MA-2400/MA-2401**

SIZE: **D** DWG. NO.: **J0625-4** REV: **G**

SCALE: NONE PRD. NO. MD26450 SHEET 1 OF 3

**UNCONTROLLED**  
UNLESS OTHERWISE MARKED IN RED INK BY CM AS A CONTROLLED COPY. COPIES OF THESE DOCUMENTS INCLUDING ASSOCIATED ELECTRONIC REPRODUCTIONS ARE FOR REFERENCE ONLY.  
THESE DRAWINGS AND SPECIFICATIONS ARE THE PROPERTY OF CROWN INTERNATIONAL, INC. AND SHALL NOT BE REPRODUCED, COPIED, OR USED AS THE BASIS FOR THE MANUFACTURE OR SALE OF APPARATUS OR DEVICES WITHOUT PERMISSION.

TOLERANCE UNLESS OTHERWISE SPECIFIED:  
.00 - ±.02"  
.000 - ±.010"  
DRAFFS - ±.003"  
DO NOT SCALE DRAWING



COMMON

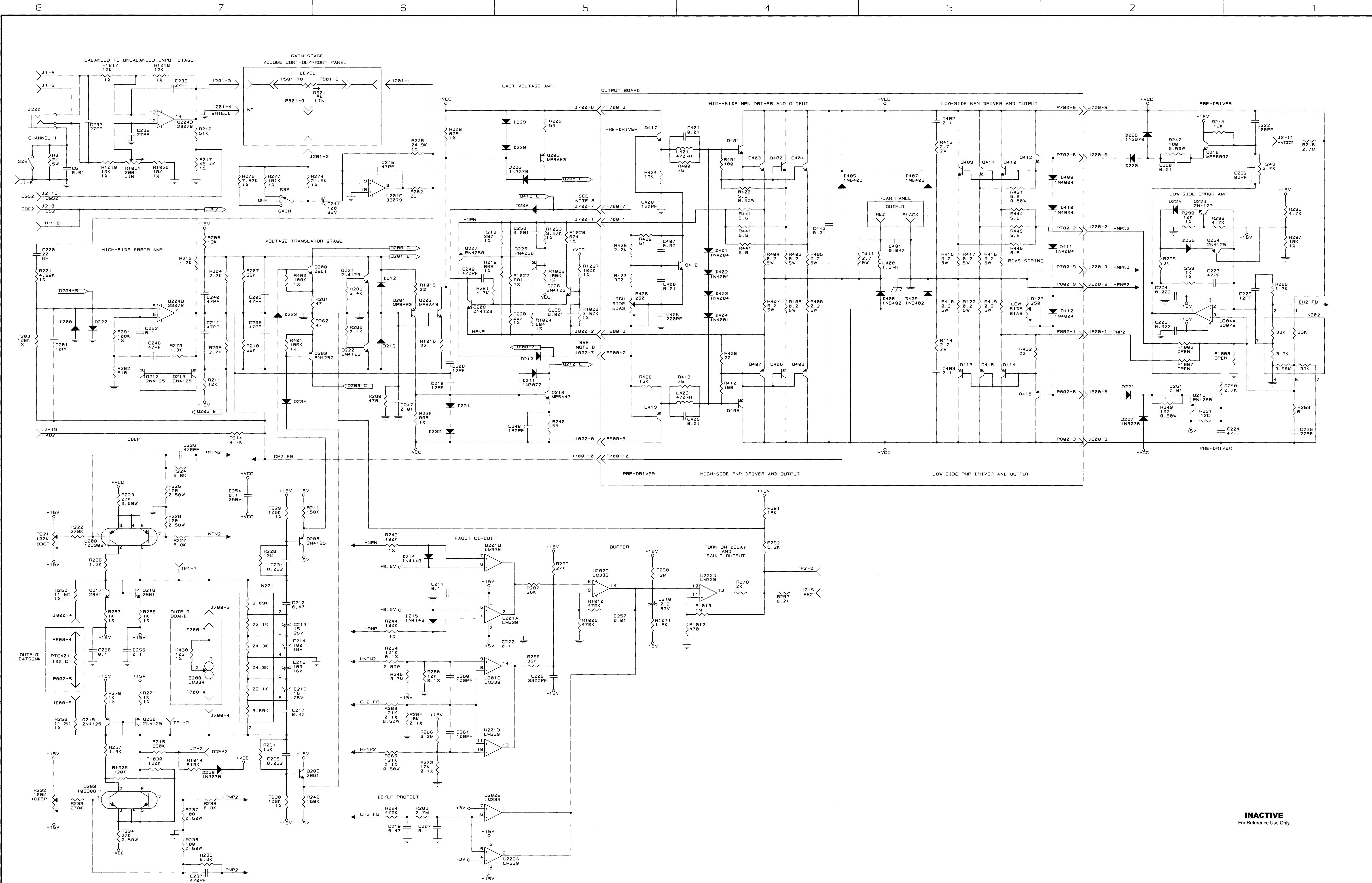
LAST USED	OBSOLETE
C7	
D7	
R18	RS.6, 11-15
S4	
U2	

CHANNEL 1

LAST USED	OBSOLETE
C157	C121, 131, 132, 142
D132	D100-103, 116, 118, 119
N102	N100
Q124	Q104, 111, 114
R199	R100, 169, 172, 178
RS21	RS00-905
U104	

- NOTES:
- ALL RESISTORS ARE IN OHMS, 1/4W, 5% UNLESS OTHERWISE SPECIFIED.
  - ALL CAPACITORS ARE IN MICROFARADS UNLESS OTHERWISE SPECIFIED.
  - CHANNEL 1 SHOWN FOR CHANNEL 2 ADD 100 TO REFERENCE DESIGNATORS. (EXAMPLE CHANNEL 1 R101 WOULD BE CHANNEL 2 R201) CONNECTOR AND IC PIN NUMBERS FOR CHANNEL 2 ARE SHOWN IN PARENTHESES WHEN THEY DIFFER FROM CHANNEL 1.
  - ALL DIODES ARE 1N4148 UNLESS OTHERWISE SPECIFIED.
  - ON J500 AND J700 THE STRIPED WIRE GOES TO PIN 10 OF THE BOARD AND THE PIN NUMBERS MOLDED ON THE CABLE SOCKET ARE REVERSED FROM THE PIN NUMBERS ON THE BOARD AND THE SCHEMATIC.
  - STANDARD UNIT HAS R10 OPEN. INSTALL JUMPER IN R10 TO DISABLE CHANNEL 2 SIGNAL/IOC LIGHT IN PARALLEL MONO MODE.
  - POWER SUPPLY VOLTAGES SHOWN UNDER NO LOAD CONDITION.
  - CHANNEL 2 PRE-DRIVER BASES LOOP THROUGH STEREO-MONO SWITCH S4.
  - SECTION E AND F
  - THIS SCHEMATIC REVISION APPLIES TO MAIN BOARD DB369-7 / MODULE 043257-7 AND OUTPUT BOARD P10433-4 / MODULE 043358-3.

**INACTIVE**  
For Reference Use Only



**INACTIVE**  
For Reference Use Only