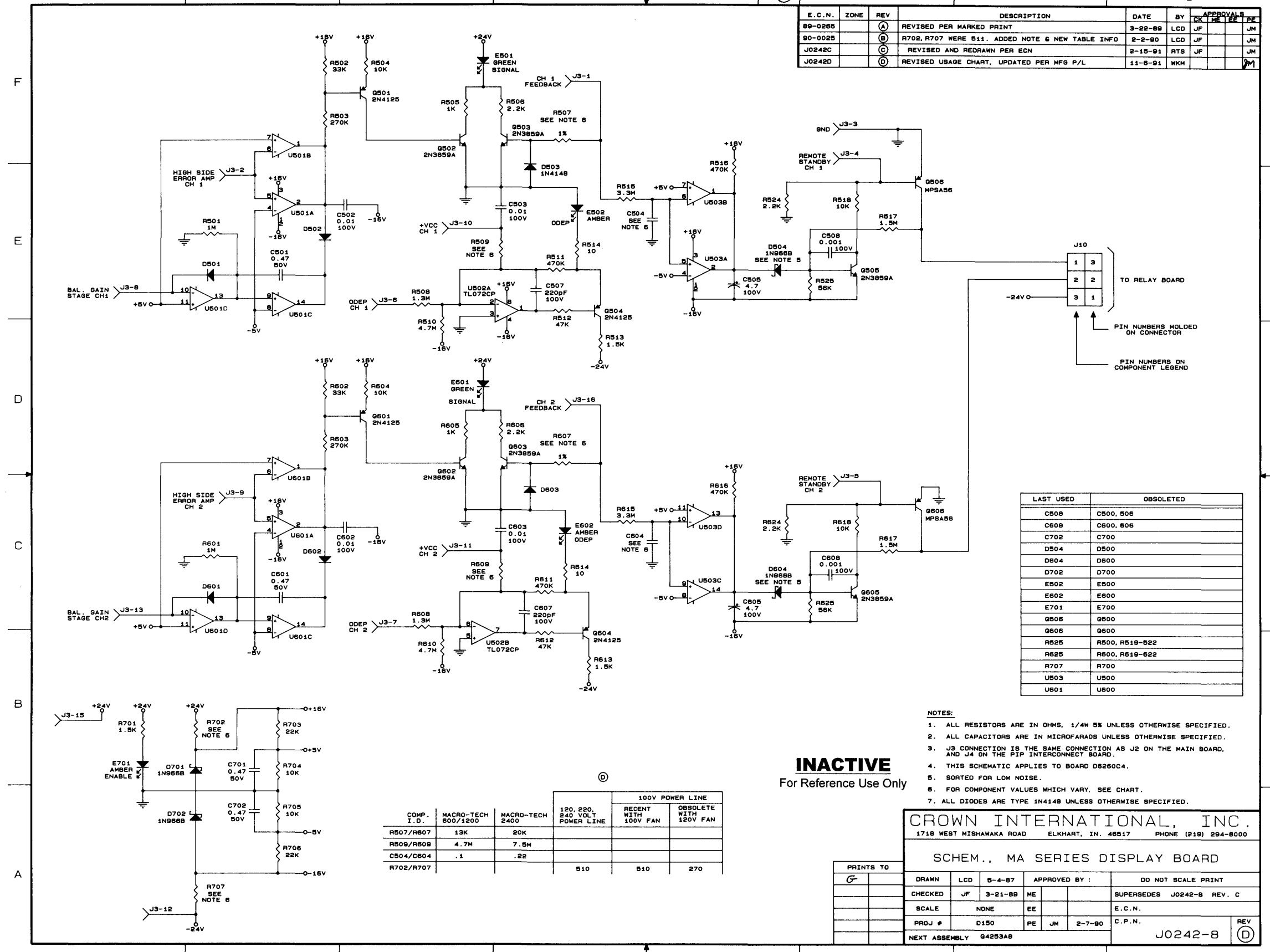


E.C.N.	ZONE	REV	DESCRIPTION	DATE	BY	APPROVALS
89-0285		(A)	REVISED PER MARKED PRINT	3-22-89	LCD JF	JM
90-0025		(B)	R702, R707 WERE 511. ADDED NOTE & NEW TABLE INFO	2-2-90	LCD JF	JM
J0242C		(C)	REVISED AND REDRAWN PER ECN	2-15-91	RTS JF	JM
J0242D		(D)	REVISED USAGE CHART, UPDATED PER MFG P/L	11-8-91	WKH	JM



LAST USED	OBSOLETE
C508	C500, 506
C608	C600, 606
C702	C700
D504	D500
D604	D600
D702	D700
E502	E500
E602	E600
E701	E700
Q506	Q500
Q606	Q600
R525	R500, R519-522
R625	R600, R619-622
R707	R700
U503	U500
U601	U600

- NOTES:
1. ALL RESISTORS ARE IN OHMS, 1/4W 5% UNLESS OTHERWISE SPECIFIED.
 2. ALL CAPACITORS ARE IN MICROFARADS UNLESS OTHERWISE SPECIFIED.
 3. J3 CONNECTION IS THE SAME CONNECTION AS J2 ON THE MAIN BOARD, AND J4 ON THE PIP INTERCONNECT BOARD.
 4. THIS SCHEMATIC APPLIES TO BOARD D8260C4.
 5. SORTED FOR LOW NOISE.
 6. FOR COMPONENT VALUES WHICH VARY. SEE CHART.
 7. ALL DIODES ARE TYPE 1N4148 UNLESS OTHERWISE SPECIFIED.

INACTIVE
For Reference Use Only

COMP. I.D.	MACRO-TECH 600/1200	MACRO-TECH 2400	100V POWER LINE		
			120, 220, 240 VOLT POWER LINE	RECENT WITH 100V FAN	OBSOLETE WITH 120V FAN
R507/R607	13K	20K			
R509/R609	4.7M	7.5M			
C504/C604	.1	.22			
R702/R707			510	510	270

CROWN INTERNATIONAL, INC.
1718 WEST MISHAWAKA ROAD ELKHART, IN. 46517 PHONE (219) 294-8000

SCHEM., MA SERIES DISPLAY BOARD

PRINTS TO	DRAWN	LCD	5-4-87	APPROVED BY :	DO NOT SCALE PRINT
	CHECKED	JF	3-21-89	ME	SUPERSEDES J0242-8 REV. C
	SCALE	NONE	EE		E.C.N.
	PROJ #	D150	PE	JM	2-7-90
	NEXT ASSEMBLY	Q4253A8			

REV D
J0242-8