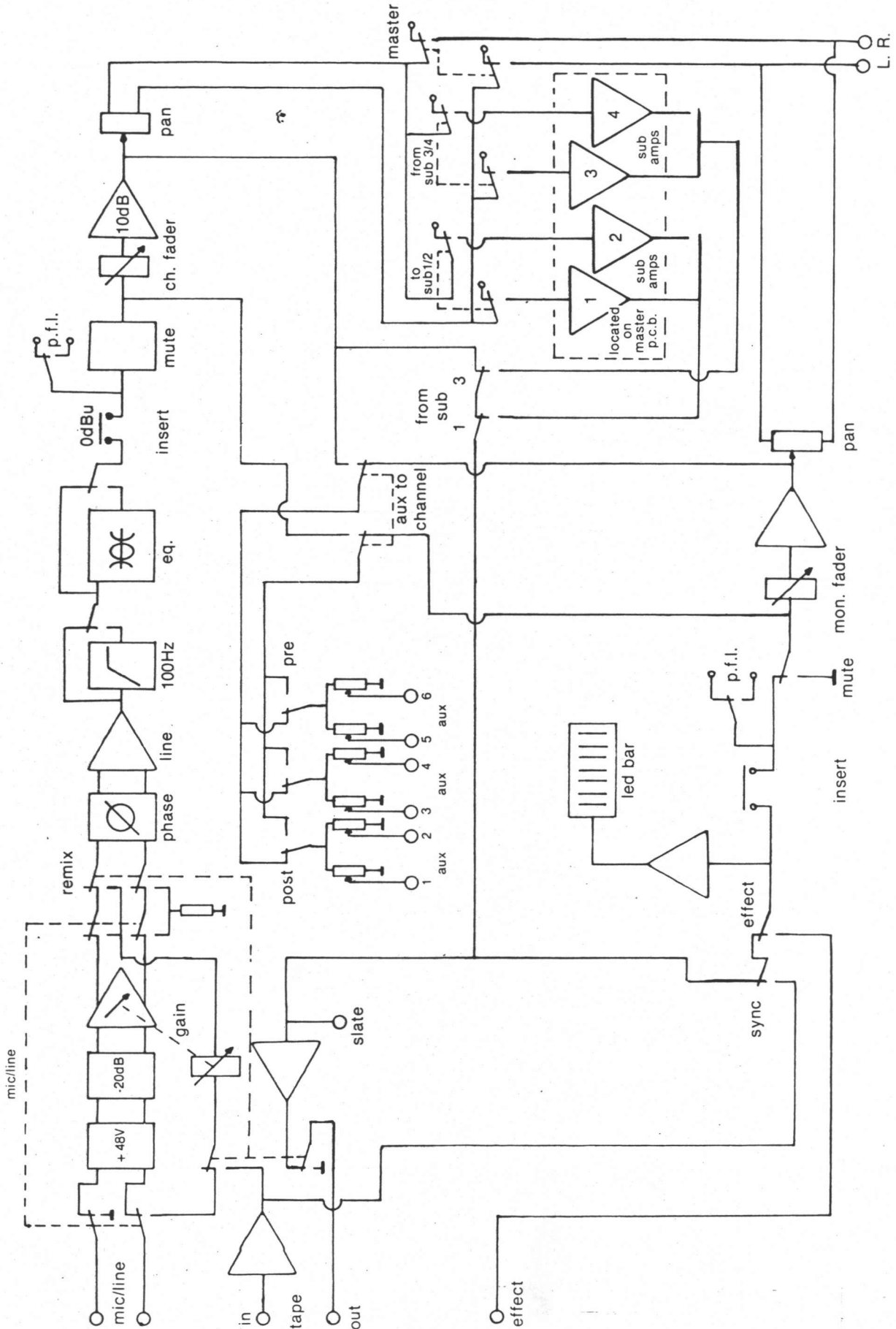


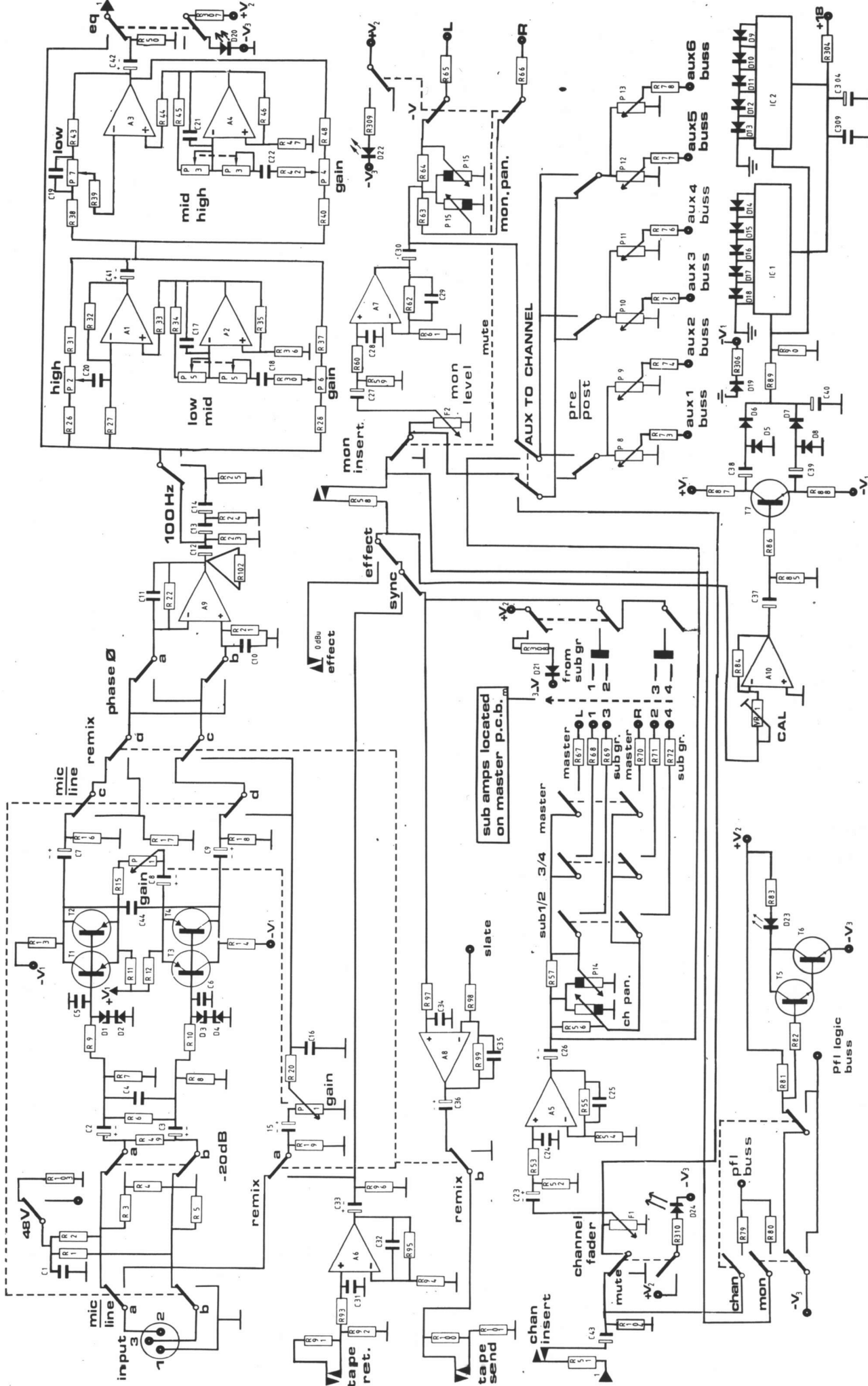
**"4000 SERIES"**

**SERVICE MANUAL**

**DNR**

# In/Output channel 4000 series





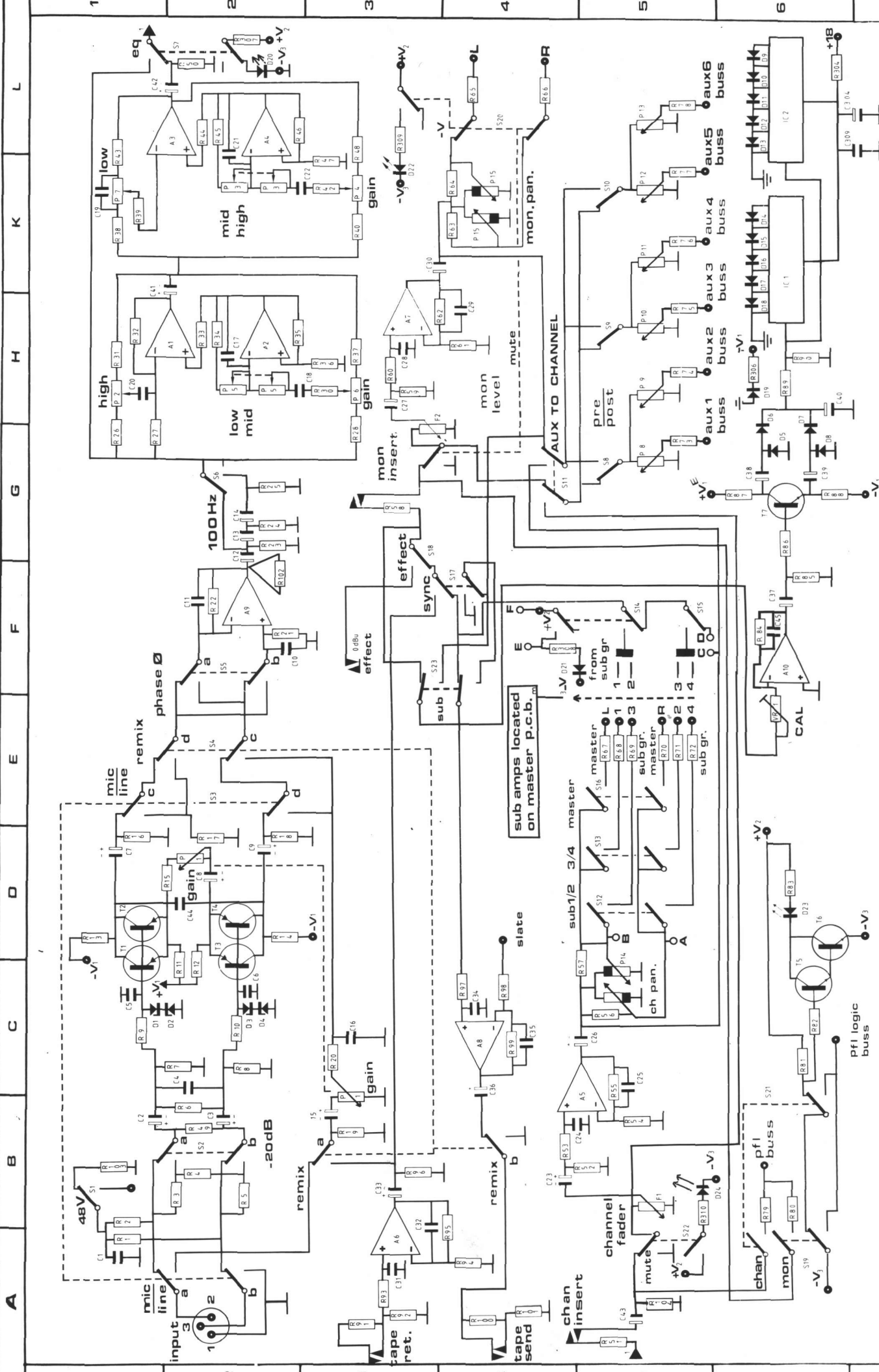
4000-1A1B  
change in molex  
4000-1B1C  
added c43, r102, r104

A 123478  
B 123478

+4dBu on ring  
-10dBV on tip  
sleeve=ground

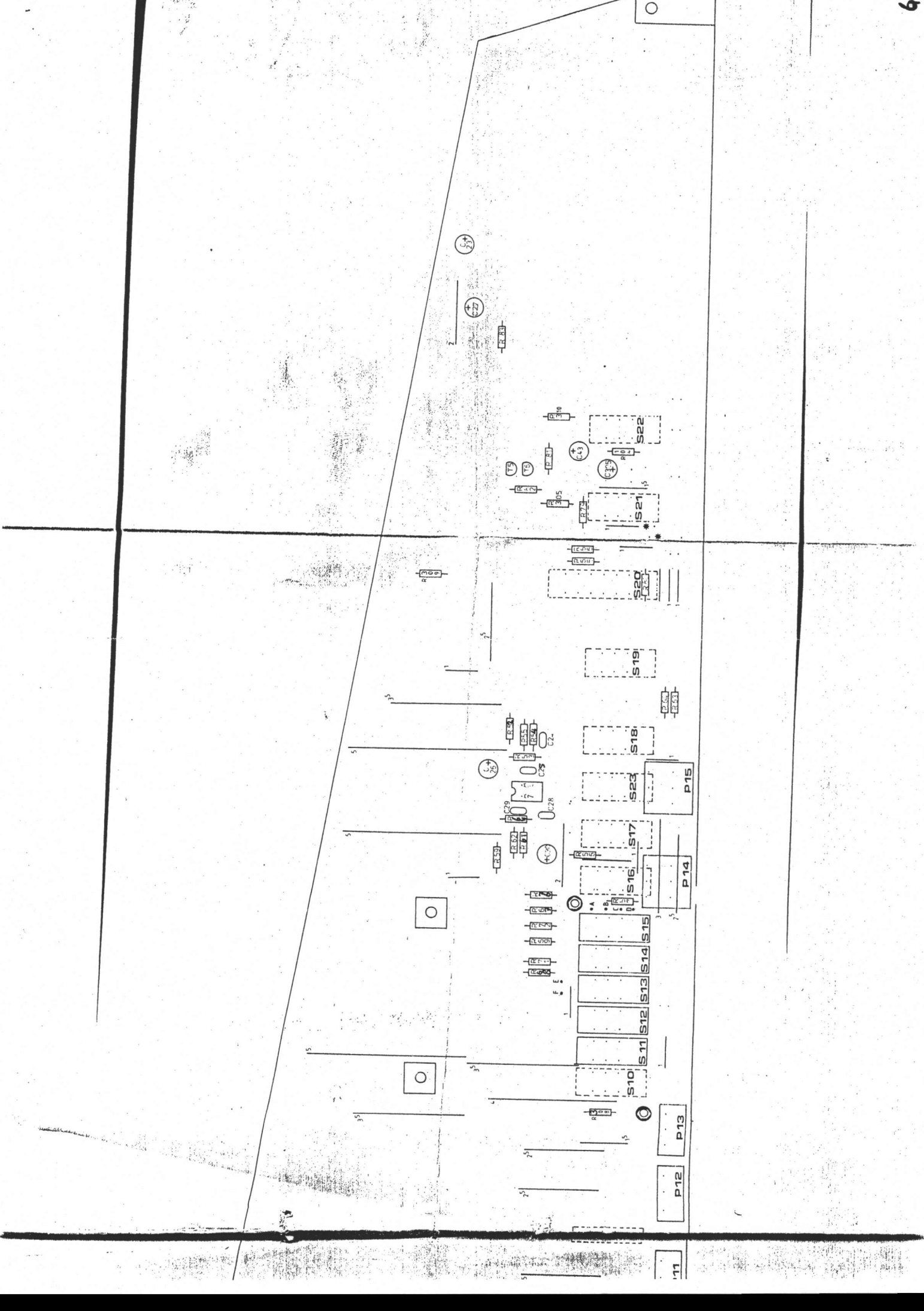
4000-1C  
M. SCHOUTEN  
23-1-84

SERIE 4000  
MONO CHANNEL



|  |  |   |  |
|--|--|---|--|
| <b>TITLE:</b><br>SERIE 4000<br>MONO CHANNEL        |  | <b>P.C.B. INDEX</b> 4000-1G   |  |
| <b>DRAWN</b> M. SCHOIJTEN                          |  | <b>NOTES:</b><br>4000-7A-1B<br>change in molex. A<br>4000-1B-1C<br>added C43, R102, R104<br>4000-1F-1G added:<br>group S-8 and subswitch S23, C45 |  |
| <b>SHEET 1 OF 5</b>                                |  | <b>DATE</b> : 23-1-84   |  |
| <b>PHONE: 02940 18014</b><br><b>ELECTRONICA BV</b> |  | <b>CHECKED</b>  |  |







|         | R48               | 220 E  | 5% | 0721 |
|---------|-------------------|--------|----|------|
| mic     | R49               | 10 k   | 5% | 0741 |
| eq.     | R50               | 47 k   | 5% | 0749 |
| CH.ins  | R51               | 100 E  | 5% | 0717 |
| CHfader | R52               | 47 k   | 5% | 0749 |
|         | R53               | 22 k   | 5% | 0745 |
|         | R54               | 10 k   | 5% | 0741 |
|         | R55               | 22 k   | 5% | 0745 |
| CH.pan  | R56               | 3 k 9  | 5% | 0736 |
|         | R57               | 3 k 9  | 5% | 0736 |
| mon ins | R58               | 100 E  | 5% | 0717 |
| m.fader | R59               | 100 k  | 5% | 0753 |
|         | R60               | 22 k   | 5% | 0745 |
|         | R61               | 10 k   | 5% | 0741 |
|         | R62               | 22 k   | 5% | 0745 |
| m. pan  | R63               | 3 k 9  | 5% | 0736 |
|         | R64               | 3 k 9  | 5% | 0736 |
| m.buss  | R65               | 10 k   | 5% | 0741 |
|         | R66               | 10 k   | 5% | 0741 |
| CH.bus  | R67               | 10 k   | 5% | 0741 |
|         | R68               | 10 k   | 5% | 0741 |
|         | R69               | 10 k   | 5% | 0741 |
|         | R70               | 10 k   | 5% | 0741 |
|         | R71               | 10 k   | 5% | 0741 |
|         | R72               | 10 k   | 5% | 0741 |
| aux bus | R73               | 47 k   | 5% | 0749 |
|         | R74               | 47 k   | 5% | 0749 |
|         | R75               | 47 k   | 5% | 0749 |
|         | R76               | 47 k   | 5% | 0749 |
|         | R77               | 47 k   | 5% | 0749 |
|         | R78               | 47 k   | 5% | 0749 |
| pfl bus | R79               | 10 k   | 5% | 0741 |
|         | R80               | 10 k   | 5% | 0741 |
| logic   | R81(not in 1d)    | 330 k  | 5% | 0759 |
|         | R82(not in 1d)    | 22 k   | 5% | 0745 |
|         | R83               | 3 k 3  | 5% | 0735 |
| ledbar  | R84               | 470 k  | 5% | 0761 |
|         | R85               | 100 k  | 5% | 0753 |
|         | R86               | 1 k 2  | 5% | 0730 |
|         | R87               | 1 k 2  | 5% | 0730 |
|         | R88               | 1 k 2  | 5% | 0730 |
|         | R89               | 220 k  | 5% | 0757 |
|         | R90               | 68 k   | 5% | 0751 |
| tape r  | R91               | 28 k 7 | 1% | 0861 |
|         | R92               | 10 k   | 5% | 0741 |
|         | R93               | 1 k 0  | 5% | 0729 |
|         | R94               | 1 k 5  | 5% | 0731 |
|         | R95               | 2 k 2  | 5% | 0733 |
|         | R96               | 47 k   | 5% | 0749 |
| tape s  | R97               | 1 k 0  | 5% | 0729 |
|         | R98               | 47 k   | 5% | 0749 |
|         | R99               | 27 k 4 | 1% | 0860 |
|         | R100              | 2 k 00 | 1% | 0835 |
|         | R101              | 680 E  | 5% | 0727 |
| 100 hz  | R102(added in 1c) | 100 E  | 5% | 0717 |
| phant   | R103(added in 1b) | 22 k   | 5% | 0745 |
| CH.ins  | R104(added in 1d) | 47 k   | 5% | 0749 |
| supply  | R300 (+V1)        | 10 E   | 5% | 0705 |
|         | R301 (-V1)        | 10 E   | 5% | 0705 |
|         | R302 (+V2)        | 10 E   | 5% | 0705 |
|         | R303 (-V2)        | 10 E   | 5% | 0705 |
|         | R304 (+V3)        | 10 E   | 5% | 0705 |
|         | R305 (-V3)        | 10 E   | 5% | 0705 |
| on      | R306              | 1 k 0  | 5% | 0729 |
| eq.     | R307              | 3 k 3  | 5% | 0735 |
| fr.sub  | R308              | 3 k 3  | 5% | 0735 |
| m.mute  | R309              | 3 k 3  | 5% | 0735 |
| CH.mute | R310              | 3 k 3  | 5% | 0735 |

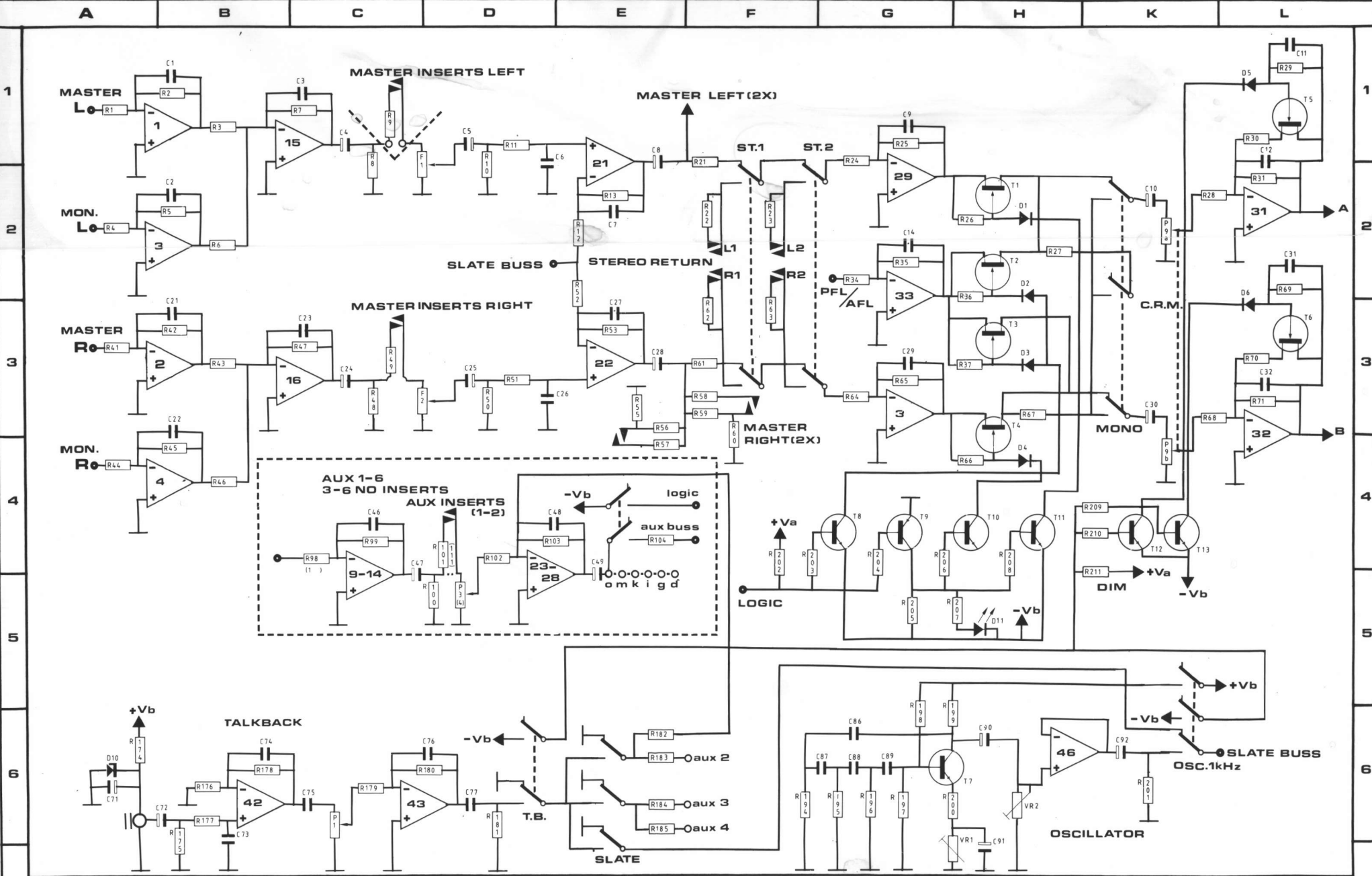


|           |                     |            |               |      |
|-----------|---------------------|------------|---------------|------|
| phant     | C1                  | 0.1/63     | ker           | 0241 |
| mic       | C2                  | 47/63      | elco          | 0289 |
|           | C3                  | 47/63      | elco          | 0289 |
|           | C4                  | 270 p      | ker           | 0230 |
|           | C5                  | ----       | ---           | ---- |
|           | C6                  | ----       | ---           | ---- |
|           | C7                  | 47/25      | elco          | 0287 |
|           | C8                  | 220/6.3-25 | elco          | 0301 |
|           | C9                  | 47/25      | elco          | 0287 |
| line      | C10                 | 10 p       | ker           | 0213 |
|           | C11                 | 10 p       | ker           | 0213 |
|           | C12                 | 47/25      | elco          | 0287 |
| 100 Hz    | C13                 | 2.2/63     | elco          | 0280 |
|           | C14                 | 1/63       | elco          | 0279 |
| line      | C15                 | 47/25      | elco          | 0287 |
|           | C16                 | 270 p      | ker           | 0230 |
| eq.       | C17                 | 0.015      | poly          | 0254 |
|           | C18                 | 0.015      | poly          | 0254 |
|           | C19                 | 0.047      | poly          | 0258 |
|           | C20                 | 680 p      | poly R5/R7.5  | 0245 |
|           | C21                 | 1500p      | poly          | 0247 |
|           | C22                 | 1500p      | poly          | 0247 |
| CH. fader | C23                 | 47/25      | elco          | 0287 |
|           | C24                 | 15 p       | ker           | 0215 |
|           | C25                 | 8 p 2      | ker           | 0212 |
|           | C26                 | 47/25      | elco          | 0287 |
| m fader   | C27                 | 47/25      | elco          | 0287 |
|           | C28                 | 15 p       | ker           | 0215 |
|           | C29                 | 4 p 7      | ker           | 0209 |
|           | C30                 | 47/25      | elco          | 0287 |
| tape r    | C31                 | 120 p      | ker           | 0226 |
|           | C32                 | 18 p       | ker           | 0216 |
|           | C33                 | 47/25      | elco          | 0287 |
| tape s    | C34                 | 270 p      | ker           | 0230 |
|           | C35                 | 10 p       | ker           | 0213 |
|           | C36                 | 47/25      | elco          | 0287 |
| ledbar    | C37                 | 47/25      | elco          | 0287 |
|           | C38                 | 2.2/63     | elco          | 0280 |
|           | C39                 | 2.2/63     | elco          | 0280 |
|           | C40                 | 2.2/63     | elco          | 0280 |
| eq.       | C41                 | 47/25      | elco          | 0287 |
|           | C42                 | 47/25      | elco          | 0287 |
| CH. ins   | C43                 | 47/25      | elco          | 0287 |
| mic       | C44                 | ----       | ---           | ---- |
| ledbar    | C45 added in 1g     | 4 p 7      | ker           | 0209 |
| supply    | C300 (+V1)          | 47/25      | elco          | 0287 |
|           | C301 (-V1)          | 47/25      | elco          | 0287 |
|           | C302 (+V2)          | 47/25      | elco          | 0287 |
|           | C303 (-V2)          | 47/25      | elco          | 0287 |
|           | C304 (+V3)          | 47/25      | elco          | 0287 |
|           | C305 (-V3)          | 47/25      | elco          | 0287 |
|           | C306                | ----       | ---           | ---- |
|           | C307 (+V2)          | 0.1/63     | ker           | 0241 |
|           | C308 (-V2)          | 0.1/63     | ker           | 0241 |
|           | C309 (+V3)          | 0.1/63     | ker           | 0241 |
| mic       | T1 - T4             | BC 560/416 | PNP           | 0327 |
| logic     | T5+T6 (not in 1d)   | BC 546     | NPN           | 0328 |
| ledbar    | T7                  | BC 546     | NPN           | 0328 |
| eq.       | A1 - A4             | TL074      | biFET         | 0305 |
| CH+mon    | A5+A7               | TL072      | biFET         | 0304 |
| tape r    | A6+A8+A9+A10        | TL074      | biFET         | 0305 |
| ledbar    | IC1                 | uA267      | 5 segm. LEDdr | 0312 |
|           | IC2                 | uA257      | 5 segm. LEDdr | 0311 |
| mic       | D1 - D4 (not in 1d) | 5V6        | zenerdiode    | 0351 |
| ledbar    | 05 - 08             | AA118/0A95 |               | 0341 |

|         |                   |                     |                        |                 |
|---------|-------------------|---------------------|------------------------|-----------------|
|         | D9+D10+D11        | LED5x2mm            | rood                   | 0390            |
|         | D12 - D18         | LED5x2              | groen                  | 0389            |
|         | D19 - D24         | LED5x2              | groen                  | 0389            |
| gain    | P1                | 10kCB               | 12.5mm                 | 0885            |
| high    | P2                | 100kA               | 12.5mm                 | 0888            |
| sweep h | P3                | 2x100kC             | 12.5mm                 | 0891            |
| gain h  | P4                | 4k7A                | 12.5mm                 | 0882            |
| sweep l | P5                | 2x100kC             | 12.5mm                 | 0891            |
| gain l  | P6                | 4k7A                | 12.5mm                 | 0882            |
| low     | P7                | 100kA               | 12.5mm                 | 0888            |
| aux 1-6 | P8 - P13          | 47 kB               | 12.5mm                 | 0887            |
| mon pan | P14               | 2x10kA <i>CN HT</i> | 12.5mm                 | <i>901</i> 0883 |
| CH.pan  | P15               | 2x10kA              | 12.5mm                 | 0883            |
| ledbar  | VR1               | 1 M                 | inst.pot gr <i>162</i> | <del>0150</del> |
| mon     | F1                | 10 kB PHIL/RADIOHM  | 58 mm mono             | 0130            |
| chan    | F2                | 10 kB ALPS LUXE     | 100 mm mono            | 0097            |
| +48     | S1                | FoxN2UEE            | 2xom                   | 0400            |
| -20 dB  | S2                | FoxN2UEE            | 2xom                   | 0400            |
| line    | S3                | FoxN4UEE            | 4xom                   | 0401            |
| remix   | S4                | FoxN4UEE            | 4xom                   | 0401            |
|         | S5 - S19          | FoxN2UEE            | 2xom                   | 0400            |
| m mute  | S20               | FoxN4UEE            | 4xom                   | 0401            |
| CH.pfl  | S21               | FoxN2UEE            | 2xom                   | 0400            |
| CH.mute | S22               | FoxN2UEE            | 2xom                   | 0400            |
| sub mst | S23 (added in 1g) | FoxN2UEE            | 2xom                   | 0400            |
|         | J1                | XLR                 | Chass pla fem          | 0424            |
|         | J2 - J6           | Cliff break         | plastic                | 0432            |
|         | J1                | XLR                 | Chass pla fem          | 0424            |

| Pos.          | Artikelcode | Omschrijving                                     | Netto hoeveelheid | Ehd | Ingangs datum        | Verval datum | Lengte [mm] | Breedte [mm] | Aant eenh | Afval [%] | Mag | Bew. | Ph. |
|---------------|-------------|--|-------------------|-----|----------------------|--------------|-------------|--------------|-----------|-----------|-----|------|-----|
| Maakartikel : |             | 20850384 Print bestukt 4000-1 (mono)             |                   |     | Stukl. op basis van: |              |             | 1 st         |           |           |     |      |     |
| 110           | 10400209    | Condensator ker 4p7 R2.5                         | 2.0000            | st  | 01-01-90             | - -          | 0.00        | 0.00         | 0         | 0         | HGO | 0    | nee |
| 120           | 10400212    | Condensator ker 8p2 R2.5                         | 1.0000            | st  | 01-01-90             | - -          | 0.00        | 0.00         | 0         | 0         | HGO | 0    | nee |
| 130           | 10400213    | Condensator ker 10p R2.5                         | 3.0000            | st  | 01-01-90             | - -          | 0.00        | 0.00         | 0         | 0         | HGO | 0    | nee |
| 140           | 10400215    | Condensator ker 15p R2.5                         | 2.0000            | st  | 01-01-90             | - -          | 0.00        | 0.00         | 0         | 0         | HGO | 0    | nee |
| 150           | 10400216    | Condensator ker 18p R2.5                         | 1.0000            | st  | 01-01-90             | - -          | 0.00        | 0.00         | 0         | 0         | HGO | 0    | nee |
| 880           | 10400223    | Condensator ker 68p R2.5                         | 1.0000            | st  | 01-01-90             | - -          | 0.00        | 0.00         | 0         | 0         | HGO | 0    | nee |
| 160           | 10400226    | Condensator ker 120p R2.5                        | 1.0000            | st  | 01-01-90             | - -          | 0.00        | 0.00         | 0         | 0         | HGO | 0    | nee |
| 170           | 10400230    | Condensator ker 270p R2.5                        | 3.0000            | st  | 01-01-90             | - -          | 0.00        | 0.00         | 0         | 0         | HGO | 0    | nee |
| 180           | 10400236    | Condensator ker 1000p R2.5                       | 2.0000            | st  | 01-01-90             | - -          | 0.00        | 0.00         | 0         | 0         | HGO | 0    | nee |
| 190           | 10401241    | Condensator ker 100nF/32V R5.0                   | 4.0000            | st  | 08-01-91             | - -          | 0.00        | 0.00         | 0         | 0         | HGO | 0    | nee |
| 220           | 10400247    | Condensator poly 1n5 R7.5                        | 2.0000            | st  | 01-01-90             | - -          | 0.00        | 0.00         | 0         | 0         | HGO | 0    | nee |
| 230           | 10400254    | Condensator poly 15n R7.5                        | 2.0000            | st  | 01-01-90             | - -          | 0.00        | 0.00         | 0         | 0         | HGO | 0    | nee |
| 240           | 10400258    | Condensator poly 47n R7.5                        | 1.0000            | st  | 01-01-90             | - -          | 0.00        | 0.00         | 0         | 0         | HGO | 0    | nee |
| 210           | 10401245    | Condensator poly 680p R5.0                       | 1.0000            | st  | 10-01-91             | - -          | 0.00        | 0.00         | 0         | 0         | HGO | 0    | nee |
| 350           | 10250341    | Diode AA118 / OA95 (germanium)                   | 4.0000            | st  | 01-01-90             | - -          | 0.00        | 0.00         | 0         | 0         | HGO | 0    | nee |
| 860           | 11650961    | Draadbrug 1.0 cm (0.6mm)                         | 4.0000            | st  | 01-01-90             | - -          | 0.00        | 0.00         | 0         | 0         | HGO | 0    | ja  |
| 20            | 11650075    | Draadbrug 4.0 cm (0.6mm)                         | 1.0000            | st  | 01-01-90             | - -          | 0.00        | 0.00         | 0         | 0         | HGO | 0    | ja  |
| 380           | 11650360    | Draadbrug 5.0 cm (0.6mm)                         | 12.0000           | st  | 01-01-90             | - -          | 0.00        | 0.00         | 0         | 0         | HGO | 0    | ja  |
| 250           | 10400279    | Elco 1uF / 50V radiaal R5.0                      | 1.0000            | st  | 01-01-90             | - -          | 0.00        | 0.00         | 0         | 0         | HGO | 0    | nee |
| 270           | 10400287    | Elco 47uF / 25V radiaal R5.0                     | 20.0000           | st  | 01-01-90             | - -          | 0.00        | 0.00         | 0         | 0         | HGO | 0    | nee |
| 280           | 10400289    | Elco 47uF / 63V radiaal R5.0                     | 2.0000            | st  | 01-01-90             | - -          | 0.00        | 0.00         | 0         | 0         | HGO | 0    | nee |
| 260           | 10400280    | Elco 2.2uF / 50V radiaal R5.0                    | 4.0000            | st  | 01-01-90             | - -          | 0.00        | 0.00         | 0         | 0         | HGO | 0    | nee |
| 200           | 10400290    | Elco 220uF / 25V radiaal R5.0                    | 1.0000            | st  | 10-01-91             | - -          | 0.00        | 0.00         | 0         | 0         | HGO | 0    | nee |
| 430           | 10600449    | Header haaks 6p (raster 3.96)                    | 3.0000            | st  | 01-01-90             | - -          | 0.00        | 0.00         | 0         | 0         | HGO | 0    | nee |
| 440           | 10600453    | Header haaks 12p (raster 3.96)                   | 1.0000            | st  | 01-01-90             | - -          | 0.00        | 0.00         | 0         | 0         | HGO | 0    | nee |
| 450           | 10600474    | Header recht 3p (raster 3.96)                    | 1.0000            | st  | 01-01-90             | - -          | 0.00        | 0.00         | 0         | 0         | HGO | 0    | nee |
| 290           | 10250304    | Ic TL-072 CP TI (dual-opamp)                     | 1.0000            | st  | 01-01-90             | 23-11-93     | 0.00        | 0.00         | 0         | 0         | HGO | 0    | nee |
| 291           | 10250304    | Ic TL-072 CP TI (dual-opamp)                     | 1.0000            | st  | 08-03-94             | - -          | 0.00        | 0.00         | 0         | 0         | HGO | 0    | nee |
| 300           | 10250305    | Ic TL-074 CN TI (quad-opamp)                     | 2.0000            | st  | 01-01-90             | 23-11-93     | 0.00        | 0.00         | 0         | 0         | HGO | 0    | nee |
| 301           | 10250305    | Ic TL-074 CN TI (quad-opamp)                     | 2.0000            | st  | 08-03-94             | - -          | 0.00        | 0.00         | 0         | 0         | HGO | 0    | nee |
| 310           | 10250311    | Ic UA-257 (led-driver)                           | 1.0000            | st  | 01-01-90             | - -          | 0.00        | 0.00         | 0         | 0         | HGO | 0    | nee |
| 320           | 10250312    | Ic UA-267 (led-driver)                           | 1.0000            | st  | 01-01-90             | - -          | 0.00        | 0.00         | 0         | 0         | HGO | 0    | nee |
| 390           | 10600394    | Ic-voet 8 pins (vork-contact)                    | 3.0000            | st  | 01-01-90             | - -          | 0.00        | 0.00         | 0         | 0         | HGO | 0    | nee |
| 400           | 10600395    | Ic-voet 14 pins (vork-contact)                   | 2.0000            | st  | 01-01-90             | - -          | 0.00        | 0.00         | 0         | 0         | HGO | 0    | nee |
| 80            | 10300162    | Instelpot 10-turn 1M lang                        | 1.0000            | st  | 01-01-90             | - -          | 0.00        | 0.00         | 0         | 0         | HGO | 0    | nee |
| 410           | 10600432    | Jack chassis break                               | 5.0000            | st  | 01-01-90             | - -          | 0.00        | 0.00         | 0         | 0         | HGO | 0    | nee |
| 870           | 10300878    | Potm.12 1x 10kA <sup>wid</sup> cn lin <b>MRQ</b> | 2.0000            | st  | 01-01-90             | - -          | 0.00        | 0.00         | 0         | 0         | HGO | 0    | nee |
| 820           | 10300885    | Potm.12 1x 10kC/1x 10kB alog <b>gcw N</b>        | 1.0000            | st  | 01-01-90             | - -          | 0.00        | 0.00         | 0         | 0         | HGO | 0    | nee |
| 830           | 10300887    | Potm.12 1x 47kB log <b>ANX</b>                   | 6.0000            | st  | 01-01-90             | - -          | 0.00        | 0.00         | 0         | 0         | HGO | 0    | nee |
| 840           | 10300888    | Potm.12 1x100kA lin <b>EQ</b>                    | 2.0000            | st  | 01-01-90             | - -          | 0.00        | 0.00         | 0         | 0         | HGO | 0    | nee |
| 810           | 10300889    | Potm.12 2x100kA 10kA cn lin <b>PAN</b>           | 2.0000            | st  | 01-01-90             | - -          | 0.00        | 0.00         | 0         | 0         | HGO | 0    | nee |
| 850           | 10300891    | Potm.12 2x100kC alog <b>EQ</b>                   | 2.0000            | st  | 01-01-90             | - -          | 0.00        | 0.00         | 0         | 0         | HGO | 0    | nee |
| 480           | 10200550    | Print 4000-1i (mono-channel)                     | 1.0000            | st  | 01-01-90             | - -          | 0.00        | 0.00         | 0         | 0         | HGO | 0    | nee |
| 90            | 10550400    | Schakelaar Alps 2p-ns (2 x om)                   | 18.0000           | st  | 08-08-94             | - -          | 0.00        | 0.00         | 0         | 0         | HGO | 0    | nee |
| 100           | 10550178    | Schakelaar FOX 4 x om (ns)                       | 3.0000            | st  | 01-01-90             | - -          | 0.00        | 0.00         | 0         | 0         | HGO | 0    | nee |
| 340           | 10250328    | Transistor BC-546B (nnp)                         | 3.0000            | st  | 01-01-90             | - -          | 0.00        | 0.00         | 0         | 0         | HGO | 0    | nee |
| 330           | 10250327    | Transistor BC-560B Phil taped                    | 4.0000            | st  | 01-01-90             | - -          | 0.00        | 0.00         | 0         | 0         | HGO | 0    | nee |
| 30            | 11350120    | Weerstand 1/4W 1.0 cm OE                         | 22.0000           | st  | 01-01-90             | - -          | 0.00        | 0.00         | 0         | 0         | HGO | 0    | ja  |
| 40            | 11350121    | Weerstand 1/4W 1.5 cm OE                         | 6.0000            | st  | 01-01-90             | - -          | 0.00        | 0.00         | 0         | 0         | HGO | 0    | ja  |
| 50            | 11350122    | Weerstand 1/4W 2.0 cm OE                         | 13.0000           | st  | 01-01-90             | - -          | 0.00        | 0.00         | 0         | 0         | HGO | 0    | ja  |
| 60            | 11350123    | Weerstand 1/4W 2.5 cm OE                         | 8.0000            | st  | 01-01-90             | - -          | 0.00        | 0.00         | 0         | 0         | HGO | 0    | ja  |
| 70            | 11350124    | Weerstand 1/4W 3.0 cm OE                         | 2.0000            | st  | 01-01-90             | - -          | 0.00        | 0.00         | 0         | 0         | HGO | 0    | ja  |
| 10            | 11350074    | Weerstand 1/4W 3.5 cm OE                         | 5.0000            | st  | 01-01-90             | - -          | 0.00        | 0.00         | 0         | 0         | HGO | 0    | ja  |
| 760           | 10350835    | Weerstand 1% 1/4W 2k00                           | 1.0000            | st  | 01-01-90             | - -          | 0.00        | 0.00         | 0         | 0         | HGO | 0    | nee |
| 770           | 10350846    | Weerstand 1% 1/4W 6k81                           | 2.0000            | st  | 01-01-90             | - -          | 0.00        | 0.00         | 0         | 0         | HGO | 0    | nee |
| 780           | 10350860    | Weerstand 1% 1/4W 27k4                           | 1.0000            | st  | 01-01-90             | - -          | 0.00        | 0.00         | 0         | 0         | HGO | 0    | nee |
| 790           | 10350861    | Weerstand 1% 1/4W 28k7                           | 1.0000            | st  | 01-01-90             | - -          | 0.00        | 0.00         | 0         | 0         | HGO | 0    | nee |

| Pos.        | Artikelcode | Omschrijving                           | Netto<br>hoeveelheid | Ehd | Ingangs<br>datum     | Verval<br>datum | Lengte<br>[mm ] | Breedte<br>[mm ] | Aant<br>eenh | Afval<br>[%] | Mag | Bew. | Ph. |
|-------------|-------------|--|----------------------|-----|----------------------|-----------------|-----------------|------------------|--------------|--------------|-----|------|-----|
| Maakartikel |             | : 20850384 Print bestukt 4000-1 (mono) |                      |     | Stukl. op basis van: |                 |                 | 1 st             |              |              |     |      |     |
| 490         | 10350705    | Weerstand 5% 1/4W 10E                  | 8.0000               | st  | 01-01-90             | - -             | 0.00            | 0.00             | 0            | 0            | HGO | 0    | nee |
| 500         | 10350709    | Weerstand 5% 1/4W 22E                  | 1.0000               | st  | 01-01-90             | - -             | 0.00            | 0.00             | 0            | 0            | HGO | 0    | nee |
| 890         | 10350717    | Weerstand 5% 1/4W 100E                 | 3.0000               | st  | 01-01-90             | - -             | 0.00            | 0.00             | 0            | 0            | HGO | 0    | nee |
| 520         | 10350721    | Weerstand 5% 1/4W 220E                 | 5.0000               | st  | 01-01-90             | - -             | 0.00            | 0.00             | 0            | 0            | HGO | 0    | nee |
| 530         | 10350727    | Weerstand 5% 1/4W 680E                 | 1.0000               | st  | 01-01-90             | - -             | 0.00            | 0.00             | 0            | 0            | HGO | 0    | nee |
| 540         | 10350729    | Weerstand 5% 1/4W 1k0                  | 5.0000               | st  | 01-01-90             | - -             | 0.00            | 0.00             | 0            | 0            | HGO | 0    | nee |
| 550         | 10350730    | Weerstand 5% 1/4W 1k2                  | 3.0000               | st  | 01-01-90             | - -             | 0.00            | 0.00             | 0            | 0            | HGO | 0    | nee |
| 560         | 10350731    | Weerstand 5% 1/4W 1k5                  | 1.0000               | st  | 01-01-90             | - -             | 0.00            | 0.00             | 0            | 0            | HGO | 0    | nee |
| 570         | 10350732    | Weerstand 5% 1/4W 1k8                  | 2.0000               | st  | 01-01-90             | - -             | 0.00            | 0.00             | 0            | 0            | HGO | 0    | nee |
| 580         | 10350733    | Weerstand 5% 1/4W 2k2                  | 5.0000               | st  | 01-01-90             | - -             | 0.00            | 0.00             | 0            | 0            | HGO | 0    | nee |
| 590         | 10350735    | Weerstand 5% 1/4W 3k3                  | 5.0000               | st  | 01-01-90             | - -             | 0.00            | 0.00             | 0            | 0            | HGO | 0    | nee |
| 600         | 10350736    | Weerstand 5% 1/4W 3k9                  | 4.0000               | st  | 01-01-90             | - -             | 0.00            | 0.00             | 0            | 0            | HGO | 0    | nee |
| 610         | 10350737    | Weerstand 5% 1/4W 4k7                  | 4.0000               | st  | 01-01-90             | - -             | 0.00            | 0.00             | 0            | 0            | HGO | 0    | nee |
| 620         | 10350739    | Weerstand 5% 1/4W 6k8                  | 2.0000               | st  | 01-01-90             | - -             | 0.00            | 0.00             | 0            | 0            | HGO | 0    | nee |
| 630         | 10350740    | Weerstand 5% 1/4W 8k2                  | 2.0000               | st  | 01-01-90             | - -             | 0.00            | 0.00             | 0            | 0            | HGO | 0    | nee |
| 640         | 10350741    | Weerstand 5% 1/4W 10k                  | 17.0000              | st  | 01-01-90             | - -             | 0.00            | 0.00             | 0            | 0            | HGO | 0    | nee |
| 650         | 10350742    | Weerstand 5% 1/4W 12k                  | 2.0000               | st  | 01-01-90             | - -             | 0.00            | 0.00             | 0            | 0            | HGO | 0    | nee |
| 660         | 10350743    | Weerstand 5% 1/4W 15k                  | 2.0000               | st  | 01-01-90             | - -             | 0.00            | 0.00             | 0            | 0            | HGO | 0    | nee |
| 670         | 10350745    | Weerstand 5% 1/4W 22k                  | 8.0000               | st  | 01-01-90             | - -             | 0.00            | 0.00             | 0            | 0            | HGO | 0    | nee |
| 680         | 10350749    | Weerstand 5% 1/4W 47k                  | 16.0000              | st  | 01-01-90             | - -             | 0.00            | 0.00             | 0            | 0            | HGO | 0    | nee |
| 690         | 10350751    | Weerstand 5% 1/4W 68k                  | 1.0000               | st  | 01-01-90             | - -             | 0.00            | 0.00             | 0            | 0            | HGO | 0    | nee |
| 700         | 10350753    | Weerstand 5% 1/4W 100k                 | 3.0000               | st  | 01-01-90             | - -             | 0.00            | 0.00             | 0            | 0            | HGO | 0    | nee |
| 710         | 10350757    | Weerstand 5% 1/4W 220k                 | 3.0000               | st  | 01-01-90             | - -             | 0.00            | 0.00             | 0            | 0            | HGO | 0    | nee |
| 720         | 10350759    | Weerstand 5% 1/4W 330k                 | 1.0000               | st  | 01-01-90             | - -             | 0.00            | 0.00             | 0            | 0            | HGO | 0    | nee |
| 730         | 10350761    | Weerstand 5% 1/4W 470k                 | 1.0000               | st  | 01-01-90             | - -             | 0.00            | 0.00             | 0            | 0            | HGO | 0    | nee |
| 740         | 10350801    | Weerstand 5% 1/4W MF 4k7               | 2.0000               | st  | 01-01-90             | - -             | 0.00            | 0.00             | 0            | 0            | HGO | 0    | nee |
| 750         | 10350802    | Weerstand 5% 1/4W MF 8k2               | 2.0000               | st  | 01-01-90             | - -             | 0.00            | 0.00             | 0            | 0            | HGO | 0    | nee |
| 370         | 10250351    | Zenerdiode 5V6 / 400mW                 | 4.0000               | st  | 01-01-90             | - -             | 0.00            | 0.00             | 0            | 0            | HGO | 0    | nee |

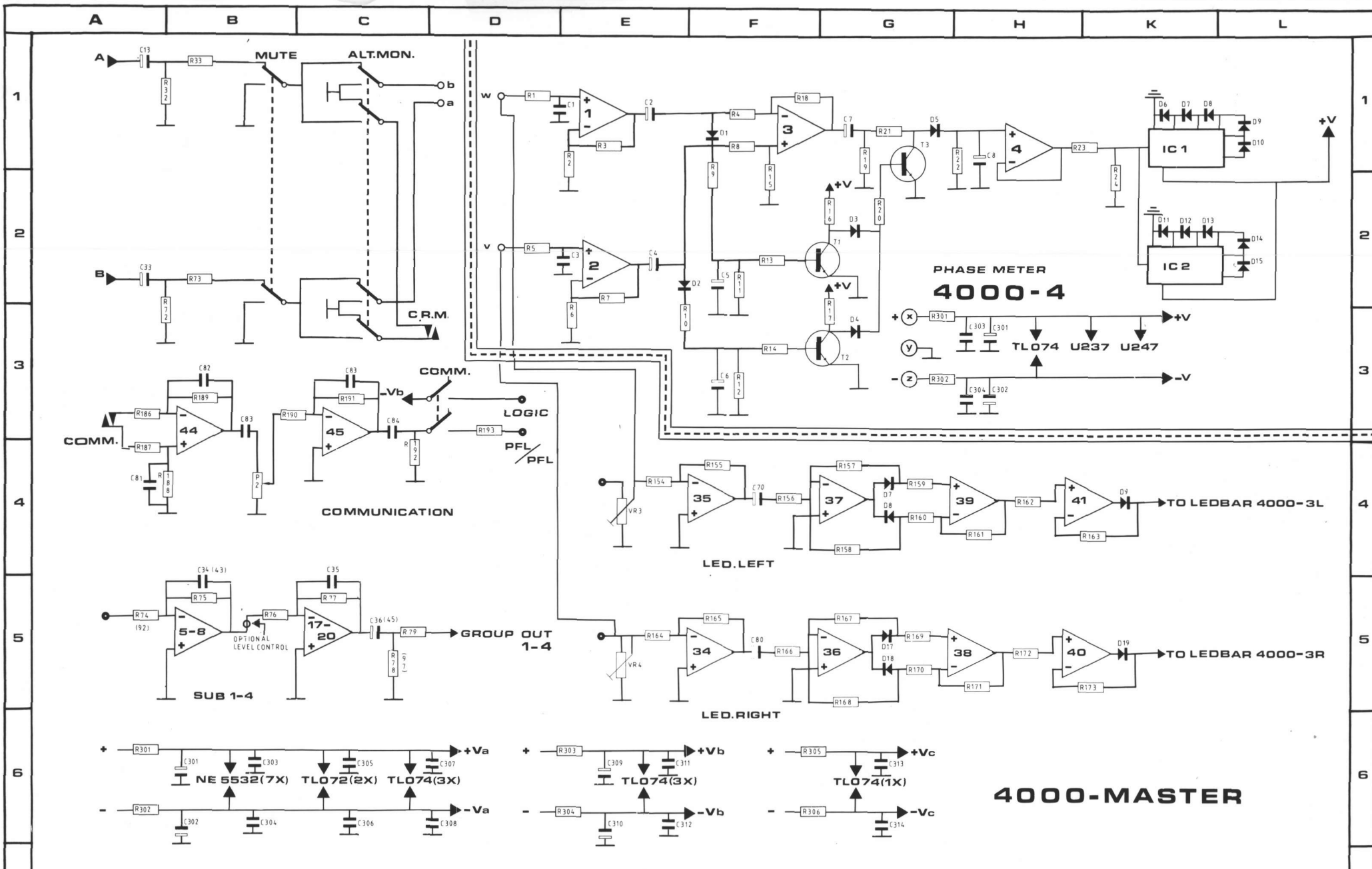


RIJNKADE 15b  
 1382 GS WEESP  
 PHONE: 02940 18014  
 ELECTRONICA BV

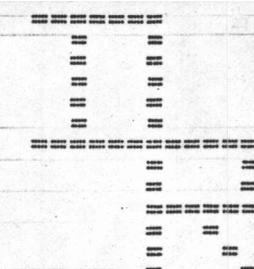
TITLE: **serie 4000 master**  
 SHEET. OF \_\_\_\_\_ © 1986

P.C.B. INDEX. 4000-2B  
 DRAWN : M. DE JONG  
 DATE : 14-6-1984  
 CHECKED:

NOTES:



|  |   |  |   |  |                          |  |        |
|--|---|--|---|--|--------------------------|--|--------|
|  | RIJNKADE 15b<br>1382 GS WEESP<br>PHONE: 02940 18014<br>ELECTRONICA BV |  | TITLE:<br><b>serie 4000<br/>         master</b> |  | P.C.B. INDEX. 4000 2B+4A |  | NOTES: |
|  |   |  | SHEET. OF                                       |  | DRAWN :                  |  |        |
|  |   |  | © 1986  |  | DATE : 14-6-1984         |  |        |
|  |   |  |   |  | CHECKED:                 |  |        |



ELECTRONICA B.V.

produktie en ontwikkeling van  
geluidsmengpanelen en accessoires

Date: 19-12-1985

R & D department

PARTLIST : 4000-2 MASTER

print index:b

| PartNr      | Value            | Notes | ArtNr |
|-------------|------------------|-------|-------|
| mstrL R1    | 33 E             | 5%    | 0711  |
| R2          | 10 k             | 5%    | 0741  |
| R3          | 10 k             | 5%    | 0741  |
| R4          | 33 E             | 5%    | 0711  |
| R5          | 10 k             | 5%    | 0741  |
| R6          | 10 k             | 5%    | 0741  |
| R7          | 10 k             | 5%    | 0741  |
| R8          | 47 k             | 5%    | 0749  |
| R9          | on print 4000-3L |       |       |
| R10         | 47 k             | 5%    | 0749  |
| R11         | 1 k 0            | 5%    | 0729  |
| R12         | 47 k             | 5%    | 0749  |
| R13         | 27 k             | 5%    | 0746  |
| R14         | ----             | ---   | ----  |
| R15-R20     | on print 4000-3L |       |       |
| R21         | 28 k 7           | 1%    | 0861  |
| R22-R23     | on print 4000-3L |       |       |
| R24         | 10 k             | 5%    | 0741  |
| R25         | 39 k             | 5%    | 0748  |
| R26         | 100 k            | 5%    | 0753  |
| R27         | 2 k 2            | 5%    | 0733  |
| R28         | 47 k             | 5%    | 0749  |
| R29         | 100 k            | 5%    | 0753  |
| R30         | 4 k 7            | 5%    | 0737  |
| R31         | 47 k             | 5%    | 0749  |
| R32         | 47 k             | 5%    | 0749  |
| R33         | 100 E            | 5%    | 0717  |
| pfl/af1 R34 | 33 E             | 5%    | 0711  |
| R35         | 15 k 8           | 1%    | 0853  |
| R36         | 100 k            | 5%    | 0753  |
| R37         | 100 k            | 5%    | 0753  |
| R38-R40     | ----             |       | ----  |
| mstrR R41   | 33 E             | 5%    | 0711  |
| R42         | 10 k             | 5%    | 0741  |
| R43         | 10 k             | 5%    | 0741  |
| R44         | 33 E             | 5%    | 0711  |
| R45         | 10 k             | 5%    | 0741  |
| R46         | 10 k             | 5%    | 0741  |
| R47         | 10 k             | 5%    | 0741  |
| R48         | 47 k             | 5%    | 0749  |
| R49         | 100 E            | 5%    | 0717  |
| R50         | 47 k             | 5%    | 0749  |
| R51         | 1 k 0            | 5%    | 0729  |
| R52         | 47 k             | 5%    | 0749  |
| R53         | 27 k             | 5%    | 0746  |
| R54         | ----             | ---   | ----  |
| R55         | 680 E            | 5%    | 0727  |
| R56         | 1 k 8            | 5%    | 0732  |
| R57         | 100 E            | 5%    | 0717  |
| R58         | 100 E            | 5%    | 0717  |

MINI VERPAKKING VOOR MICRO-COMPUTERS - FORMAAT A4, MET SICHERHEIDSLUK

DUOTINT

|      |           |                  |     |      |
|------|-----------|------------------|-----|------|
|      | R59       | 1 k 8            | 5%  | 0732 |
|      | R60       | 680 E            | 5%  | 0727 |
|      | R61       | 28 k 7           | 1%  | 0861 |
|      | R62       | 28 k 7           | 1%  | 0861 |
|      | R63       | 28 k 7           | 1%  | 0861 |
|      | R64       | 10 k             | 5%  | 0741 |
|      | R65       | 39 k             | 5%  | 0748 |
|      | R66       | 100 k            | 5%  | 0753 |
|      | R67       | 2 k 2            | 5%  | 0733 |
|      | R68       | 47 k             | 5%  | 0749 |
|      | R69       | 100 k            | 5%  | 0753 |
|      | R70       | 4 k 7            | 5%  | 0737 |
|      | R71       | 47 k             | 5%  | 0749 |
|      | R72       | 47 k             | 5%  | 0749 |
|      | R73       | 100 E            | 5%  | 0717 |
| sub1 | R74       | 33 E             | 5%  | 0711 |
|      | R75       | 10 k             | 5%  | 0741 |
|      | R76       | 10 k             | 5%  | 0741 |
|      | R77       | 10 k             | 5%  | 0741 |
|      | R78       | 47 k             | 5%  | 0749 |
|      | R79       | -----            | --- | ---- |
| sub2 | R80       | 33 E             | 5%  | 0711 |
|      | R81       | 10 k             | 5%  | 0741 |
|      | R82       | 10 k             | 5%  | 0741 |
|      | R83       | 10 k             | 5%  | 0741 |
|      | R84       | 47 k             | 5%  | 0749 |
|      | R85       | -----            | --- | ---- |
| sub3 | R86       | 33 k             | 5%  | 0711 |
|      | R87       | 10 k             | 5%  | 0741 |
|      | R88       | 10 k             | 5%  | 0741 |
|      | R89       | 10 k             | 5%  | 0741 |
|      | R90       | 47 k             | 5%  | 0749 |
|      | R91       | -----            | --- | ---- |
| sub4 | R92       | 33 E             | 5%  | 0711 |
|      | R93       | 10 k             | 5%  | 0741 |
|      | R94       | 10 k             | 5%  | 0741 |
|      | R95       | 10 k             | 5%  | 0741 |
|      | R96       | 47 k             | 5%  | 0749 |
|      | R97       | -----            | --- | ---- |
| aux1 | R98       | 33 E             | 5%  | 0711 |
|      | R99       | 100 k            | 5%  | 0753 |
|      | R100      | 47 k             | 5%  | 0749 |
|      | R101      | 100 E            | 5%  | 0717 |
|      | R102      | 47 k             | 5%  | 0749 |
|      | R103      | 73 k 2           | 1%  | 0869 |
|      | R104      | 15 k 8           | 1%  | 0853 |
|      | R105-R107 | on print 4000-3R |     |      |
| aux2 | R108      | 33 E             | 5%  | 0711 |
|      | R109      | 100 k            | 5%  | 0753 |
|      | R110      | 47 k             | 5%  | 0749 |
|      | R111      | 100 E            | 5%  | 0717 |
|      | R112      | 47 k             | 5%  | 0749 |
|      | R113      | 73 k 2           | 1%  | 0869 |
|      | R114      | 15 k 8           | 1%  | 0853 |
|      | R115-R117 | on print 4000-3R |     |      |
| aux3 | R118      | 33 E             | 5%  | 0711 |
|      | R119      | 100 k            | 5%  | 0753 |
|      | R120      | 47 k             | 5%  | 0749 |
|      | R121      | 73 k 2           | 1%  | 0869 |
|      | R122      | 15 k 8           | 1%  | 0853 |
|      | R123-R125 | on print 4000-3R |     |      |
| aux4 | R126      | 33 E             | 5%  | 0711 |
|      | R127      | 100 k            | 5%  | 0753 |
|      | R128      | 47 k             | 5%  | 0749 |
|      | R129      | 73 k 2           | 1%  | 0869 |
|      | R130      | 15 k 8           | 1%  | 0853 |
|      | R131-R133 | on print 4000-3R |     |      |



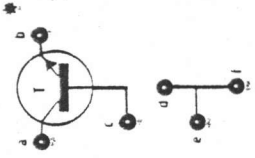
|         |           |                  |    |      |
|---------|-----------|------------------|----|------|
| aux5    | R134      | 33 E             | 5% | 0711 |
|         | R135      | 100 k            | 5% | 0753 |
|         | R136      | 47 k             | 5% | 0749 |
|         | R137      | 73 k 2           | 1% | 0869 |
|         | R138      | 15 k 8           | 1% | 0853 |
|         | R139-R141 | on print 4000-3R |    |      |
| aux6    | R142      | 33 E             | 5% | 0711 |
|         | R143      | 100 k            | 5% | 0753 |
|         | R144      | 47 k             | 5% | 0749 |
|         | R145      | 73 k 2           | 1% | 0869 |
|         | R146      | 15 k 8           | 1% | 0853 |
|         | R147-R149 | on print 4000-3R |    |      |
|         | R150-R153 | -----            | -- | ---- |
| led-L   | R154      | 10 k             | 5% | 0741 |
|         | R155      | 100 k            | 5% | 0753 |
|         | R156      | 10 k             | 5% | 0741 |
|         | R157      | 10 k 0           | 1% | 0848 |
|         | R158      | 10 k 0           | 1% | 0848 |
|         | R159      | 10 k 0           | 1% | 0848 |
|         | R160      | 10 k 0           | 1% | 0848 |
|         | R161      | 10 k 0           | 1% | 0848 |
|         | R162      | 2 k 2            | 5% | 0733 |
|         | R163      | 2 k 2            | 5% | 0733 |
| led-R   | R164      | 10 k             | 5% | 0741 |
|         | R165      | 100 k            | 5% | 0753 |
|         | R166      | 10 k             | 5% | 0741 |
|         | R167      | 10 k 0           | 1% | 0848 |
|         | R168      | 10 k 0           | 1% | 0848 |
|         | R169      | 10 k 0           | 1% | 0848 |
|         | R170      | 10 k 0           | 1% | 0848 |
|         | R171      | 10 k 0           | 1% | 0848 |
|         | R172      | 2 k 2            | 5% | 0733 |
|         | R173      | 2 k 2            | 5% | 0733 |
| talkbck | R174      | 3 k 9            | 5% | 0736 |
|         | R175      | 10 k             | 5% | 0741 |
|         | R176      | 560 E            | 5% | 0726 |
|         | R177      | 10 k             | 5% | 0741 |
|         | R178      | 56 k             | 5% | 0750 |
|         | R179      | 22 k             | 5% | 0745 |
|         | R180      | 1 M 0            | 5% | 0765 |
|         | R181      | 47 k             | 5% | 0741 |
|         | R182      | 47 k             | 5% | 0741 |
|         | R183      | 47 k             | 5% | 0741 |
|         | R184      | 47 k             | 5% | 0741 |
|         | R185      | 47 k             | 5% | 0741 |
| comm.   | R186      | 560 E            | 5% | 0726 |
|         | R187      | 560 E            | 5% | 0726 |
|         | R188      | 56 k             | 5% | 0750 |
|         | R189      | 56 k             | 5% | 0750 |
|         | R190      | 22 k             | 5% | 0745 |
|         | R191      | 1 M 0            | 5% | 0765 |
|         | R192      | 47 k             | 5% | 0749 |
|         | R193      | 10 k             | 5% | 0741 |
| oscill. | R194      | 12 k 1           | 1% | 0851 |
|         | R195      | 12 k 1           | 1% | 0851 |
|         | R196      | 12 k 1           | 1% | 0851 |
|         | R197      | 12 k 1           | 1% | 0851 |
|         | R198      | 56 k             | 5% | 0750 |
|         | R199      | 4 k 7            | 5% | 0737 |
|         | R200      | 100 E            | 5% | 0717 |
|         | R201      | -----            | -- | ---- |
| logic   | R202      | 15 k             | 5% | 0743 |
|         | R203      | 22 k             | 5% | 0745 |
|         | R204      | 22 k             | 5% | 0745 |
|         | R205      | 10 k             | 5% | 0741 |
|         | R206      | 22 k             | 5% | 0745 |

MINI VERPAKKING VOOR MICRO-CONSTRUCTIES - FORMAAT A6, MET SCHERPE

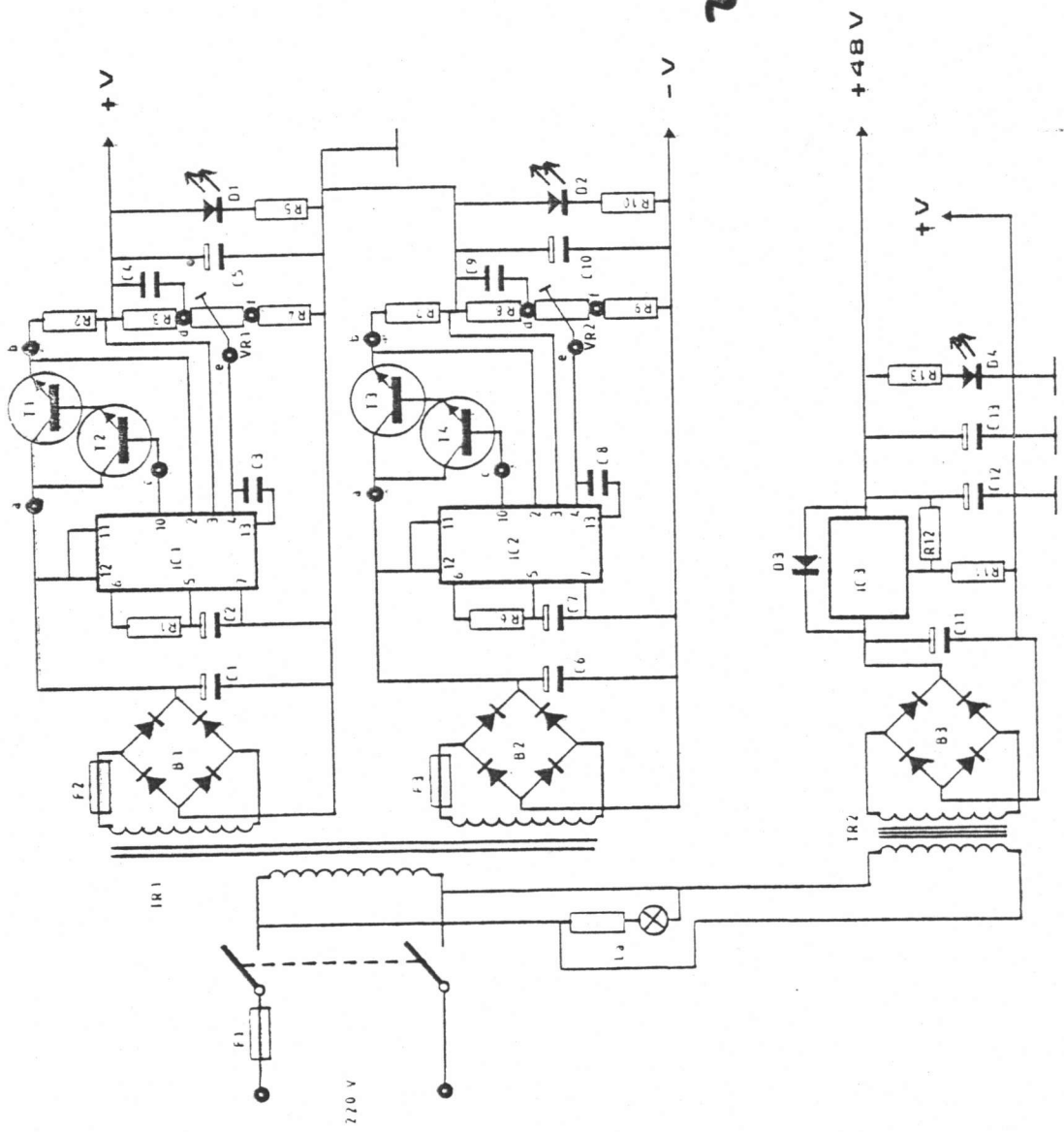
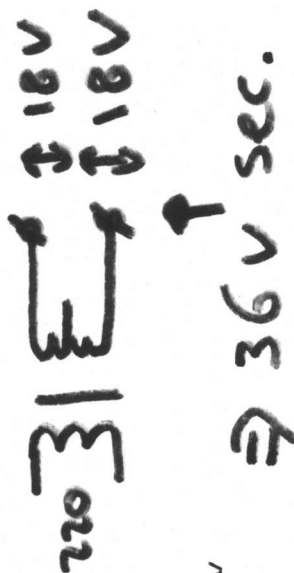
DUOJINT®

|         |            |        |      |      |
|---------|------------|--------|------|------|
|         | R207       | 1 k 2  | 5%   | 0730 |
|         | R208       | 22 k   | 5%   | 0745 |
| dim     | R209       | 1 M 0  | 5%   | 0765 |
|         | R210       | 1 M 0  | 5%   | 0765 |
|         | R211       | 330 k  | 5%   | 0759 |
| supply  | R301 (+V1) | 10 E   | 5%   | 0705 |
|         | R302 (-Va) | 10 E   | 5%   | 0705 |
|         | R303 (+Vb) | 10 E   | 5%   | 0705 |
|         | R304 (-Vb) | 10 E   | 5%   | 0705 |
|         | R305 (+Vc) | 10 E   | 5%   | 0705 |
|         | R306 (-Vc) | 10 E   | 5%   | 0705 |
| mstrL   | C1         | 39 pF  | ker  | 0220 |
|         | C2         | 39 pF  | ker  | 0220 |
|         | C3         | 15 pF  | ker  | 0215 |
|         | C4         | 47 /25 | elco | 0287 |
|         | C5         | 47 /25 | elco | 0287 |
|         | C6         | 270 pF | ker  | 0230 |
|         | C7         | 18 pF  | ker  | 0216 |
|         | C8         | 47 /25 | elco | 0287 |
|         | C9         | 2 p 2  | ker  | 0205 |
|         | C10        | 47 /25 | elco | 0287 |
|         | C11        | 470 pF | ker  | 0232 |
|         | C12        | 4 p 7  | ker  | 0209 |
|         | C13        | 47 /25 | elco | 0287 |
| pfl/af1 | C14        | 39 pF  | ker  | 0220 |
|         | C15-C20    |        |      |      |
| mstrR   | C21        | 39 pF  | ker  | 0220 |
|         | C22        | 39 pF  | ker  | 0220 |
|         | C23        | 15 pF  | ker  | 0215 |
|         | C24        | 47 /25 | elco | 0287 |
|         | C25        | 47 /25 | elco | 0287 |
|         | C26        | 270 pF | ker  | 0230 |
|         | C27        | 18 pF  | ker  | 0216 |
|         | C28        | 47 /25 | elco | 0287 |
|         | C29        | 2 p 2  | ker  | 0205 |
|         | C30        | 47 /25 | elco | 0287 |
|         | C31        | 470 pF | ker  | 0232 |
|         | C32        | 4 p 7  | ker  | 0209 |
|         | C33        | 47 /25 | elco | 0287 |
| sub1    | C34        | 39 pF  | ker  | 0220 |
|         | C35        | 39 pF  | ker  | 0220 |
|         | C36        | 47 /25 | elco | 0287 |
| sub2    | C37        | 39 pF  | ker  | 0220 |
|         | C38        | 39 pF  | ker  | 0220 |
|         | C39        | 47 /25 | elco | 0287 |
| sub3    | C40        | 39 pF  | ker  | 0220 |
|         | C41        | 39 pF  | ker  | 0220 |
|         | C42        | 47 /25 | elco | 0287 |
| sub4    | C43        | 39 pF  | ker  | 0220 |
|         | C44        | 39 pF  | ker  | 0220 |
|         | C45        | 47 pF  | elco | 0287 |
| aux1    | C46        | 6 p 8  | ker  | 0211 |
|         | C47        | 47 /25 | elco | 0287 |
|         | C48        | 1 p 8  | ker  | 0204 |
|         | C49        | 47 /25 | elco | 0287 |
| aux2    | C50        | 6 p 8  | ker  | 0211 |
|         | C51        | 47 /25 | elco | 0287 |
|         | C52        | 1 p 8  | ker  | 0204 |
|         | C53        | 47 /25 | elco | 0287 |

|         |                    |               |            |       |
|---------|--------------------|---------------|------------|-------|
| aux3    | C54                | 6 p 8         | ker        | 0211  |
|         | C55                | -----         | ---        | ---   |
|         | C56                | 1 p 8         | ker        | 0204  |
|         | C57                | 47 /25        | elco       | 0287  |
| aux4    | C58                | 6 p 8         | ker        | 0211  |
|         | C59                | -----         | ---        | ---   |
|         | C60                | 1 p 8         | ker        | 0204  |
|         | C61                | 47 /25        | elco       | 0287  |
| aux5    | C62                | 6 p 8         | ker        | 0211  |
|         | C63                | -----         | ---        | ---   |
|         | C64                | 1 p 8         | ker        | 0204  |
|         | C65                | 47 /25        | elco       | 0287  |
| aux6    | C66                | 6 p 8         | ker        | 0211  |
|         | C67                | -----         | ---        | ---   |
|         | C68                | 1 p 8         | ker        | 0204  |
|         | C69                | 47 /25        | elco       | 0287  |
| led-L   | C70                | 47 /25        | elco       | 0287  |
| talkbck | C71                | 47 /25        | elco       | 0287  |
|         | C72                | 47 /25        | elco       | 0287  |
|         | C73                | 680 pF        | ker        | 0234  |
|         | C74                | 10 pF         | ker        | 0213  |
|         | C75                | 0.1uF         | poly       | 0261  |
|         | C76                | 4 p 7         | ker        | 0209  |
|         | C77                | 0.47uF        | poly       | 0266  |
|         | C78+C79            | -----         | ---        | ---   |
| led-R   | C80                | 47 /25        | elco       | 0287  |
| comm.   | C81                | 10 pF         | ker        | 02133 |
|         | C82                | 10 pF         | ker        | 0213  |
|         | C83                | 0.1uF         | poly       | 0261  |
|         | C84                | 4 p 7         | ker        | 0209  |
|         | C85                | 0.47uF        | poly       | 0266  |
|         | C86                | 0.01uF        | poly       | 0253  |
|         | C87                | 0.01uF        | poly       | 0253  |
|         | C88                | 0.01u         | poly       | 0253  |
|         | C89                | 0.01uF        | poly       | 0253  |
|         | C90                | 47 /25        | elco       | 0287  |
|         | C91                | 47 /25        | elco       | 0287  |
|         | C92                | 47 /25        | elco       | 0287  |
| supply  | C301 (+V1)         | 220 /25       | elco       | 0290  |
|         | C302 (-V1)         | 220 /25       | elco       | 0290  |
|         | C303 (+V1/A1-A20)  | 0.1uF         | ker        | 0241  |
|         | C304 (-V1/A1-A20)  | 0.1uF         | ker        | 0241  |
|         | C305 (+V1/A21+A22) | 0.1uF         | ker        | 0241  |
|         | C306 (-V1/A21+A22) | 0.1uF         | ker        | 0241  |
|         | C307 (+V1/A..-A..) | 0.1uF         | ker        | 0241  |
|         | C308 (-V1/A..-A..) | 0.1uF         | ker        | 0241  |
|         | C309 (+V2)         | 470 /40       | elco axial | 0295  |
|         | C310 (-V2)         | 470 /40       | elco axial | 0295  |
|         | C311 (+V2)         | 0.1uF         | ker        | 0241  |
|         | C312 (+V2)         | 0.1uF         | ker        | 0241  |
|         | C313 (+V3)         | 0.1uF         | ker        | 0241  |
|         | C314 (-V3)         | 0.1uF         | ker        | 0241  |
| mstrL   | T1                 | 2N 5638       | FET        | 0338  |
| pfl/afl | T2                 | 2N 5638       | FET        | 0338  |
|         | T3                 | 2N 5638       | FET        | 0338  |
| mstrR   | T4                 | 2N 5638       | FET        | 0338  |
| dim     | T5                 | 2N 5638       | FET        | 0338  |
|         | T6                 | 2N 5638       | FET        | 0338  |
| oscill. | T7                 | BC 546        | NPN        | 0328  |
| logic   | T8                 | BC 546        | NPN        | 0328  |
|         | T9                 | BC 560/BC 416 | PNP        | 0327  |
|         | T10                | BC 546        | NPN        | 0328  |
|         | T11                | BC 546        | NPN        | 0328  |
| dim     | T12                | BC 546        | NPN        | 0328  |
|         | T13                | BC 546        | NPN        | 0328  |



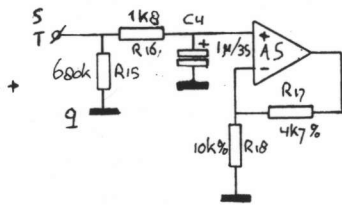
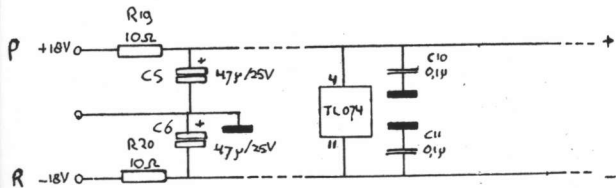
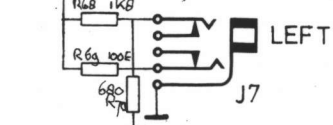
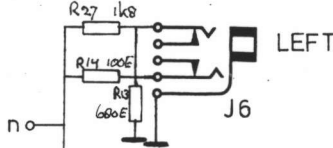
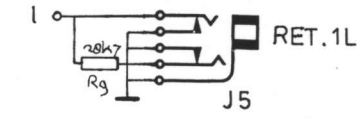
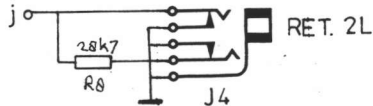
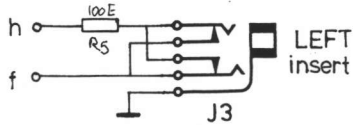
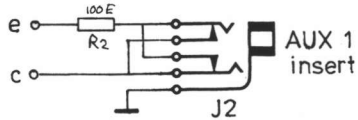
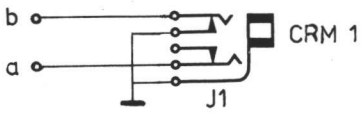
The Transformer used for The Phantom:



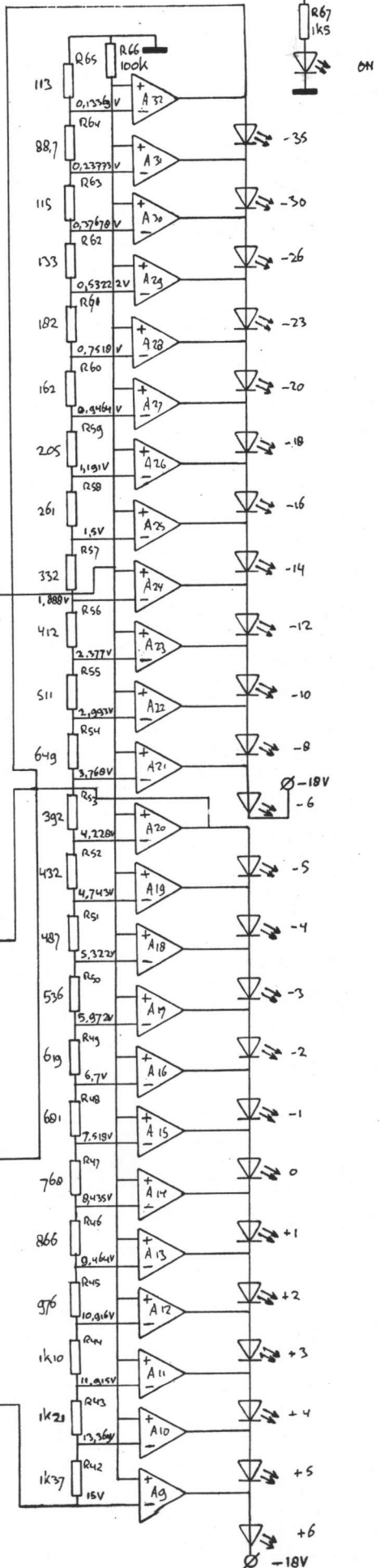
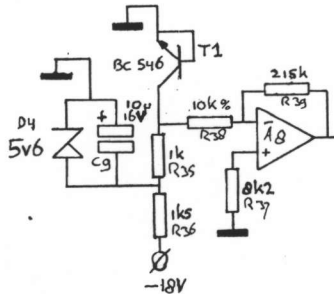
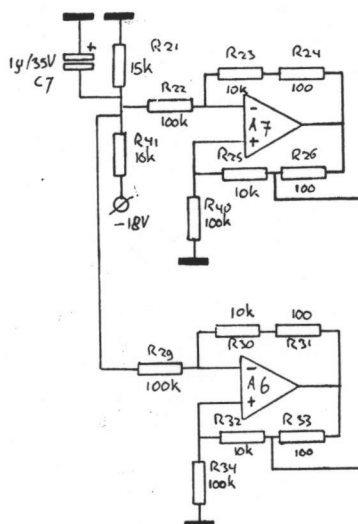
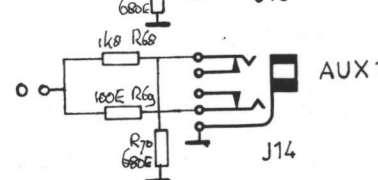
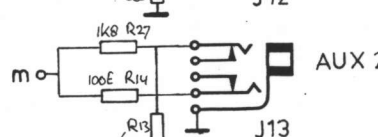
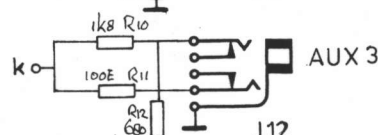
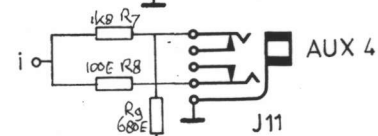
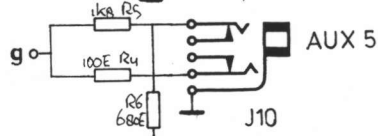
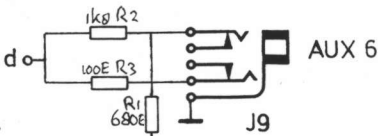
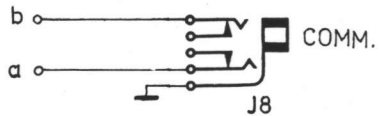
|  |  |                    |  |             |  |   |  |
|--|--|--------------------|--|-------------|--|---|--|
| <b>RIJNKADI B.V.</b><br>1382 GS ALESP<br>HOLLAND<br>PHONE 0-110 110114 |  | <b>SUPPLY OOPS</b> |  | PCB INDEX a |  | NOTIS<br>* ONLY FOR SERIES 1500 2000 10 |  |
| <b>RELECTRONICA BV</b>   |  | SHEET OF C         |  | DATE :      |  | H                                       |  |
| © 1984   |  | CHECKED:           |  | G           |  | K                                       |  |

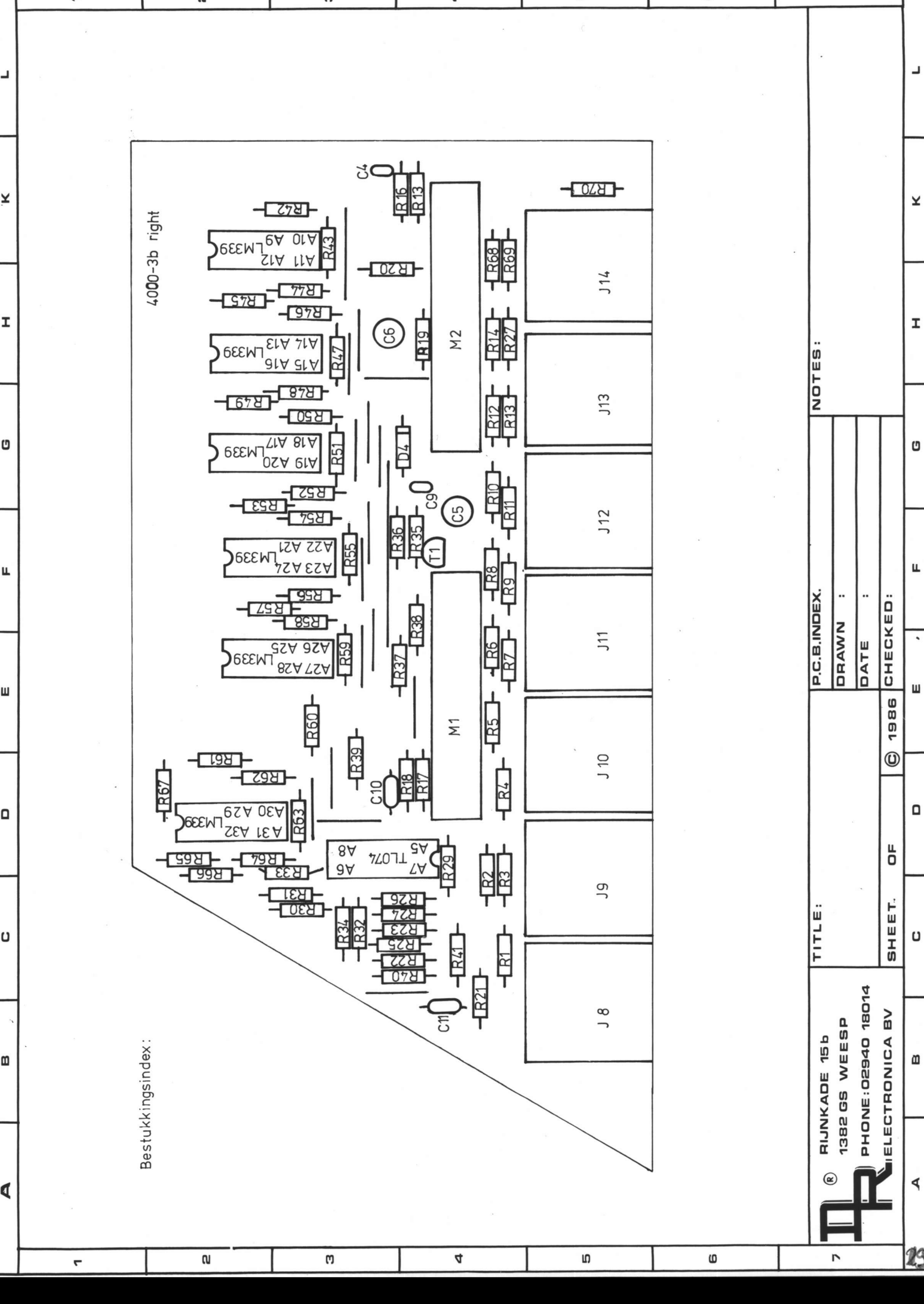


Left version:



Right version:





Bestuikkingsindex:

4000-3b right

**PR**  
 RIJNKADE 15b  
 1382 GS WEESP  
 PHONE: 02940 18014  
 ELECTRONICA BV

TITLE:

P.C.B. INDEX.

NOTES:

DRAWN :

DATE :

CHECKED:

SHEET. OF

© 1986



| R38 | 10 k   | 1% | 0848 |
|-----|--------|----|------|
| R39 | 215 k  | 1% | 0800 |
| R40 | 100 k  | 5% | 0753 |
| R41 | 10 k   | 5% | 0741 |
| R42 | 1 k 37 | 1% | 0832 |
| R43 | 1 k 21 | 1% | 0830 |
| R44 | 1 k 10 | 1% | 0827 |
| R45 | 976 E  | 1% | 0828 |
| R46 | 866 E  | 1% | 0826 |
| R47 | 768 E  | 1% | 0825 |
| R48 | 681 E  | 1% | 0824 |
| R49 | 619 E  | 1% | 0823 |
| R50 | 536 E  | 1% | 0822 |
| R51 | 487 E  | 1% | 0821 |
| R52 | 432 E  | 1% | 0819 |
| R53 | 392 E  | 1% | 0818 |
| R54 | 649 E  | 1% | 0864 |
| R55 | 511 E  | 1% | 0817 |
| R56 | 412 E  | 1% | 0820 |
| R57 | 332 E  | 1% | 0816 |
| R58 | 261 E  | 1% | 0813 |
| R59 | 205 E  | 1% | 0812 |
| R60 | 162 E  | 1% | 0811 |
| R61 | 182 E  | 1% | 0847 |
| R62 | 133 E  | 1% | 0805 |
| R63 | 115 E  | 1% | 0854 |
| R64 | 88 E 7 | 1% | 0809 |
| R65 | 113 E  | 1% | 0806 |
| R66 | 100 k  | 5% | 0753 |
| R67 | 3 k 9  | 5% | 0736 |
| R68 | 1 k 8  | 5% | 0732 |
| R69 | 100 E  | 5% | 0717 |
| R70 | 680 E  | 5% | 0727 |

|     |        |           |      |
|-----|--------|-----------|------|
| C4  | 1/35   | tan.      | 0276 |
| C5  | 47/25  | elco rad. | 0287 |
| C6  | 47/25  | elco rad. | 0287 |
| C9  | 10/16  | tan.      | 0278 |
| C10 | 0.1/63 | ker.      | 0241 |
| C11 | 0.1/63 | ker.      | 0241 |

|    |     |           |      |
|----|-----|-----------|------|
| D4 | 5V6 | zenodiode | 0351 |
|----|-----|-----------|------|

|    |        |     |      |
|----|--------|-----|------|
| T1 | BC 546 | NPN | 0328 |
|----|--------|-----|------|

|             |        |                 |      |
|-------------|--------|-----------------|------|
| A5 t/m A8   | TL 074 | bifet.          | 0305 |
| A9 t/m A12  | LM 339 | quad.comparator | 0316 |
| A13 t/m A16 | LM 339 | quad.comparator | 0316 |
| A17 t/m A20 | LM 339 | quad.comparator | 0316 |
| A21 t/m A24 | LM 339 | quad.comparator | 0316 |
| A25 t/m A28 | LM 339 | quad.comparator | 0316 |
| A29 t/m A32 | LM 339 | quad.comparator | 0316 |

Left version:

|         |            |              |      |
|---------|------------|--------------|------|
| J1 - J7 | Cliff jack | stereo break | 0432 |
|---------|------------|--------------|------|

Right version:

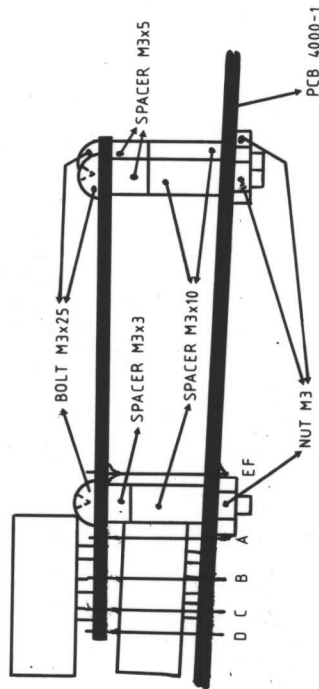
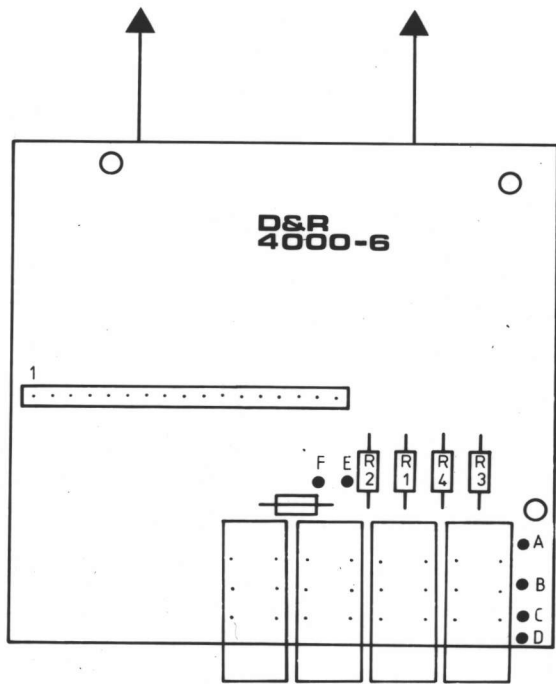
|          |            |              |      |
|----------|------------|--------------|------|
| J8 - J14 | Cliff jack | stereo break | 0432 |
|----------|------------|--------------|------|

Both versions:

|    |                                      |      |
|----|--------------------------------------|------|
| M1 | 10 pins top entry connector(0.156'') | 0476 |
| M2 | 11 pins top entry connector(0.156'') | 0477 |





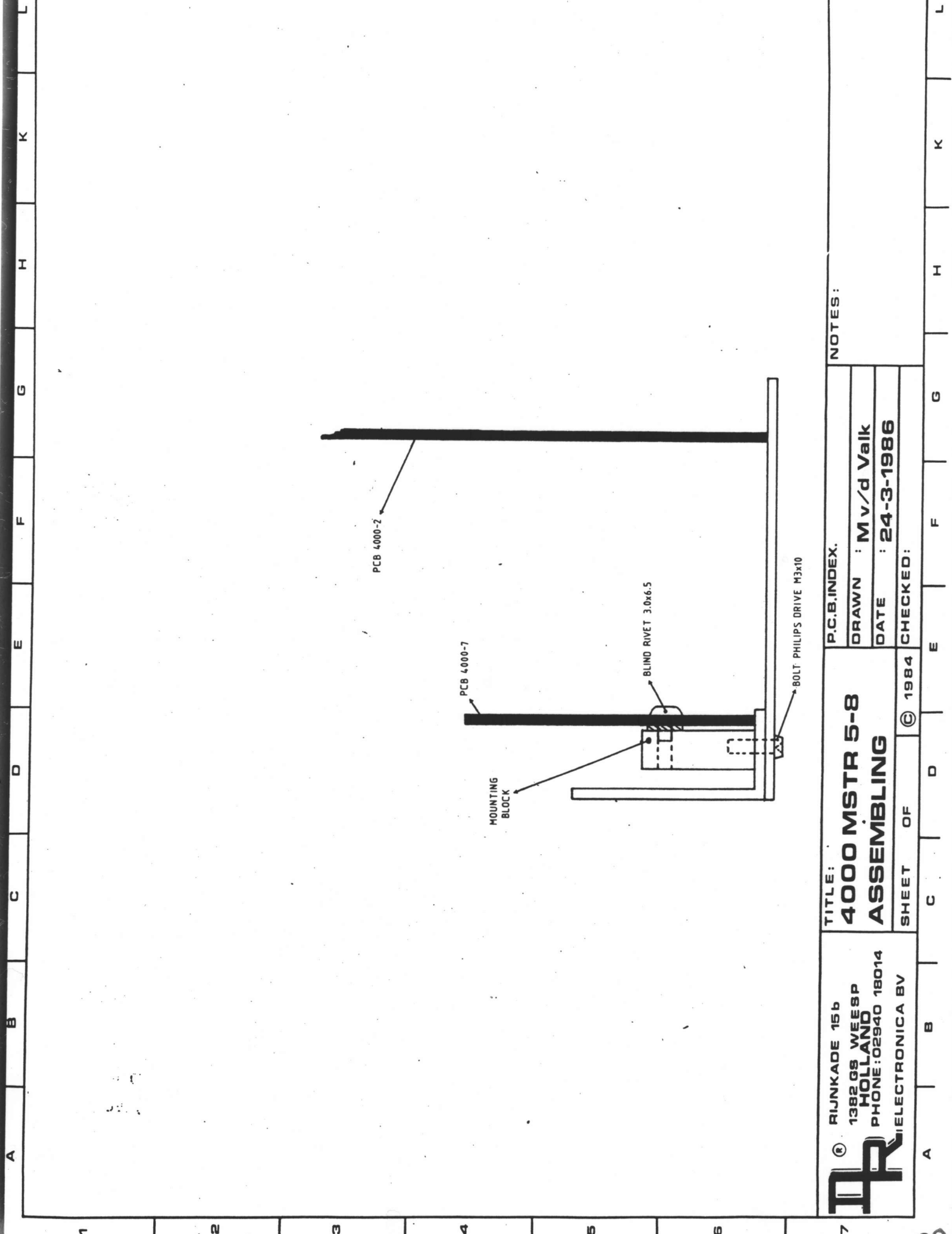


  
 RIJNKADE 15b  
 1382 GS WEESP  
 HOLLAND  
 PHONE: 02940 18014  
 RIELECTRONICA BV

TITLE:  
**4000 SUB 5-8**  
**ASSEMBLING**  
 SHEET OF OF © 1984

P.C.B. INDEX.  
 DRAWN : M v/d Valk  
 DATE : 24-3-1986  
 CHECKED:

NOTES:




 RIJNSKADE 15b  
 1382 GB WEESEP  
 HOLLAND  
 PHONE: 02940 18014  
 ELECTRONICA BV

**TITLE:**  
**4000 MSTR 5-8**  
**ASSEMBLING**

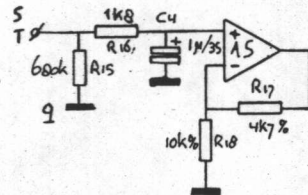
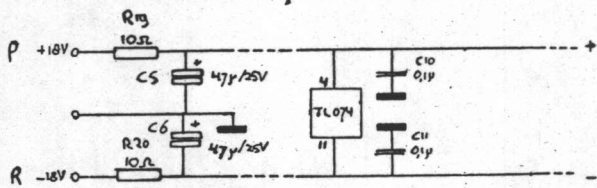
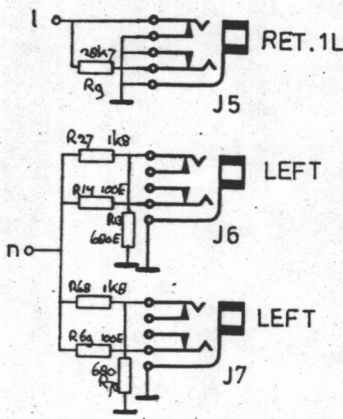
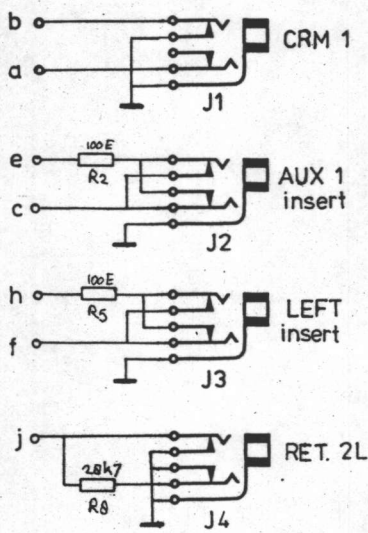
**P.C.B. INDEX.**  
**DRAWN : Mv/d Valk**  
**DATE : 24-3-1986**

**NOTES:**  
**SHEET OF**    **© 1984**    **CHECKED:**

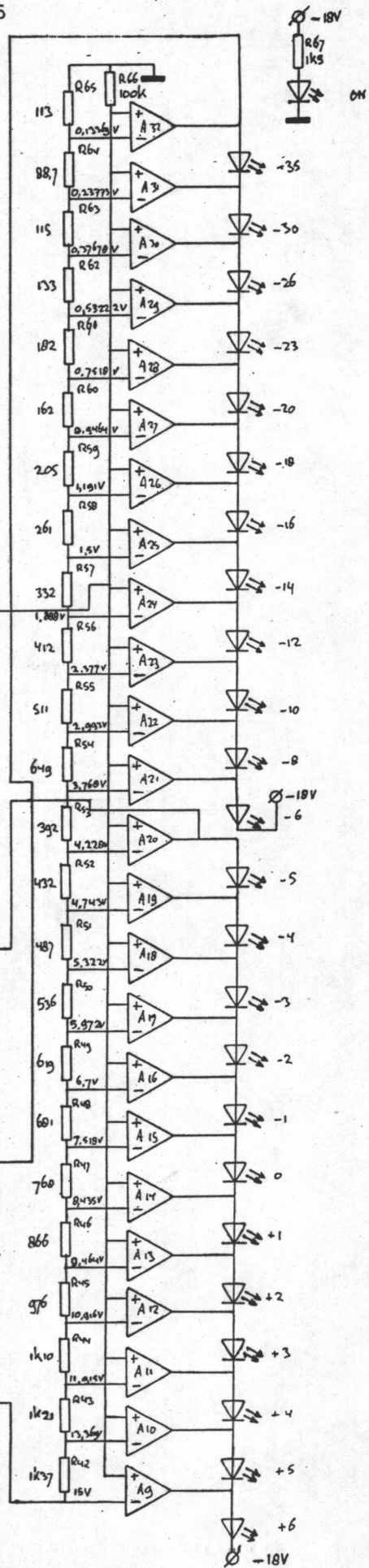
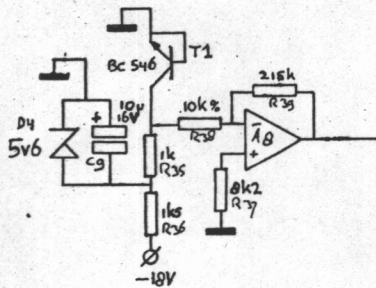
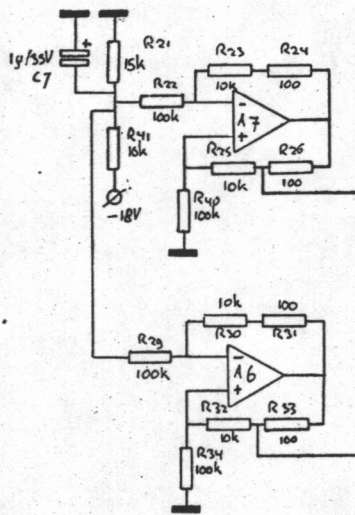
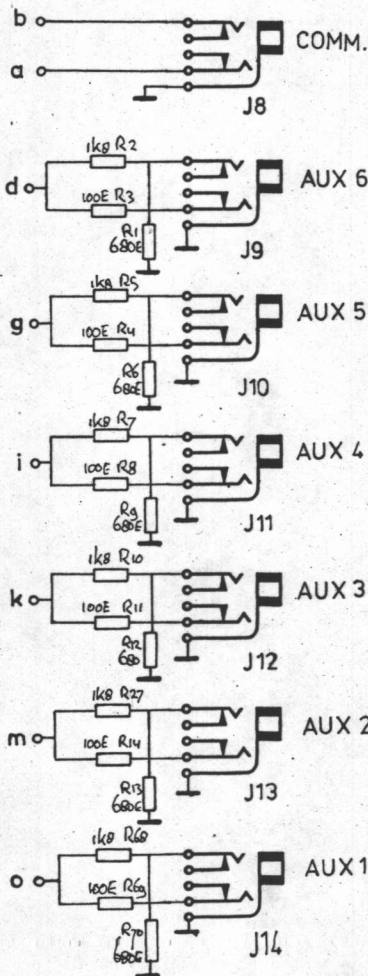
A    B    C    D    E    F    G    H    K    L

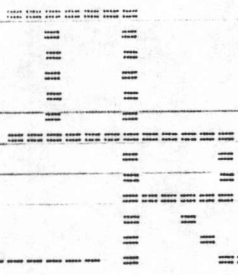
1    2    3    4    5    6    7

Left version:



Right version:





ELECTRONICA B.V.

produktie en ontwikkeling van  
geluidsmengpanelen en accessoires

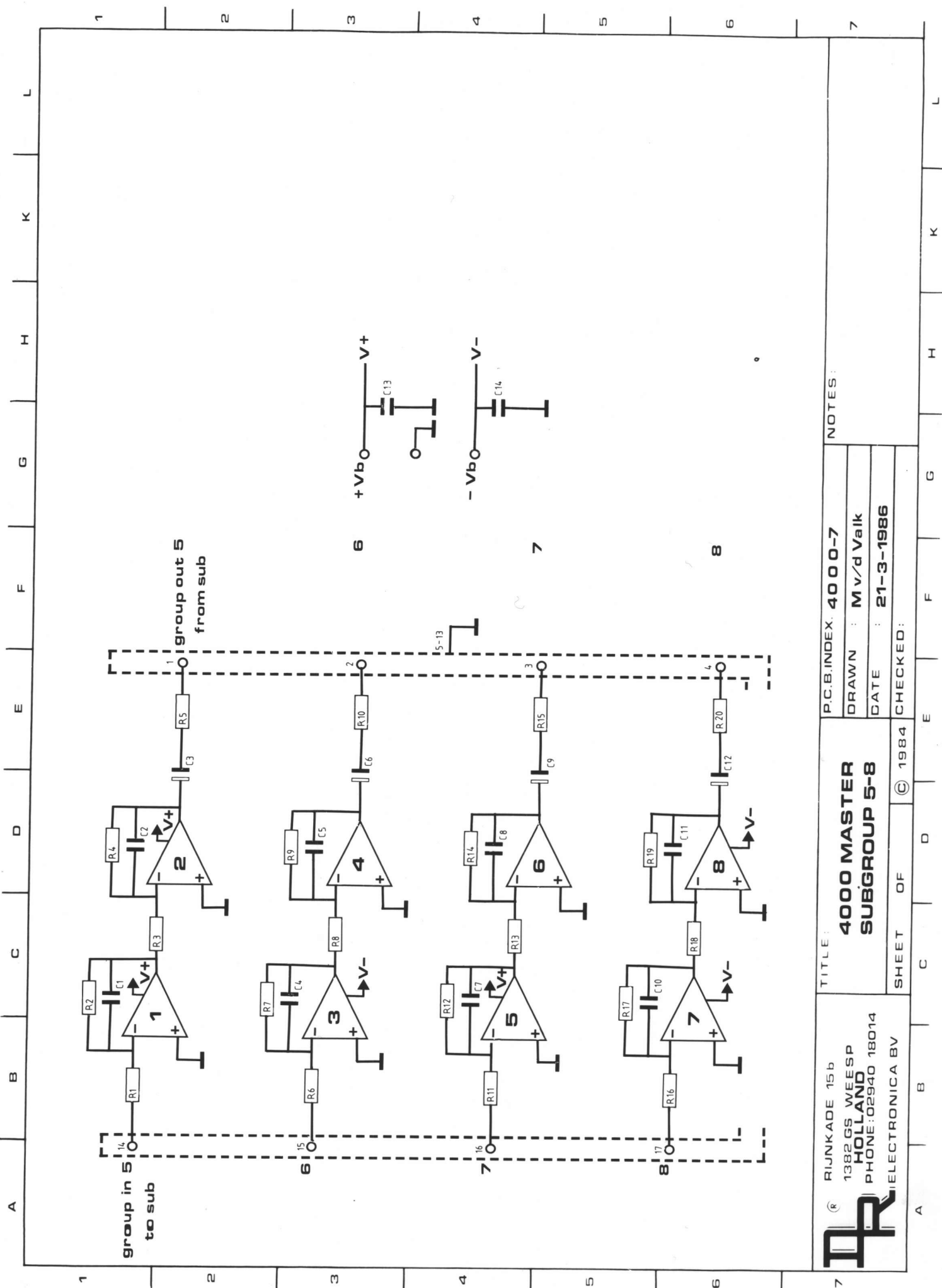
Date: 09-04-1986

R & D department

PARTLIST : 4000-6

print index:

| PartNr | Value | Notes    | PartNr |
|--------|-------|----------|--------|
| R1     | 10 k  | 5%       | 0741   |
| R2     | 10 k  | 5%       | 0741   |
| R3     | 10 k  | 5%       | 0741   |
| R4     | 10 k  | 5%       | 0741   |
| S1-S4  | 2 x 2 | FoxN2UEE | 0400   |

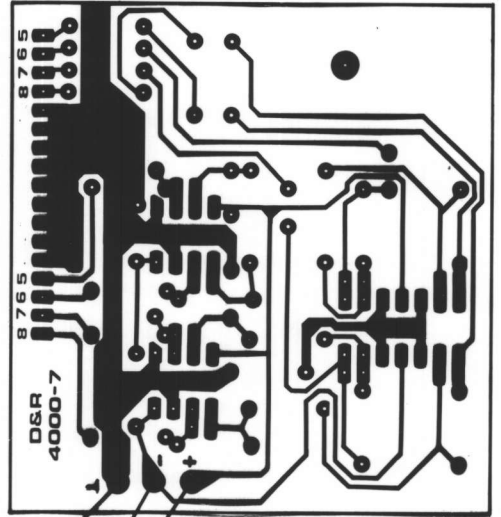
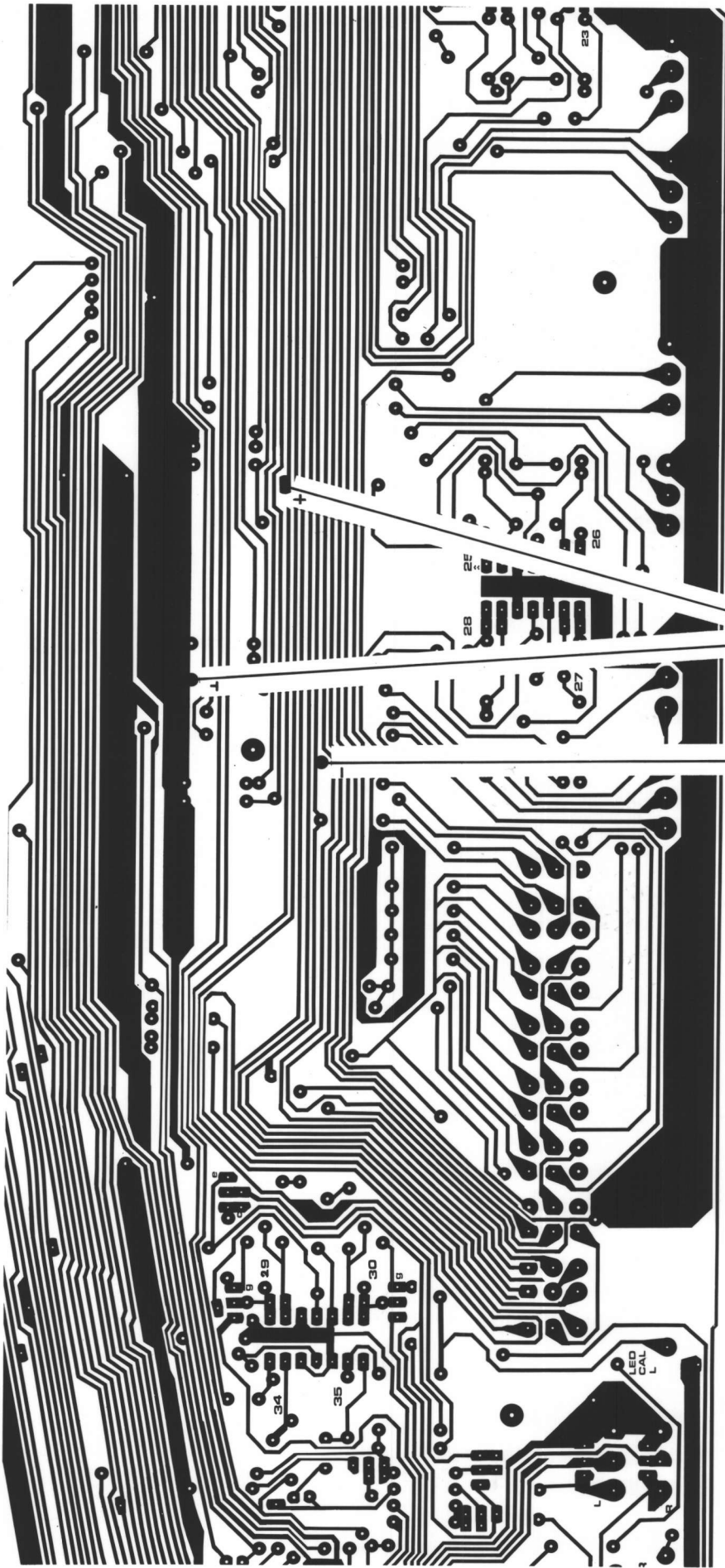


RIJNSWAARDE 15b  
 1382 GS WEESP  
 HOLLAND  
 PHONE: 02940 18014  
 ELECTRONICA BV

TITLE:  
**4000 MASTER  
 SUBGROUP 5-8**

P.C.B. INDEX: 4000-7  
 DRAWN: M v/d Valk  
 DATE: 21-3-1986  
 SHEET OF 1  
 CHECKED:

NOTES:



=====

== ELECTRONICA B.V. ==

-----

produktie en ontwikkeling van  
geluidsmengpanelen en accessoires

-----

Date: 09-04-1986

R & D department

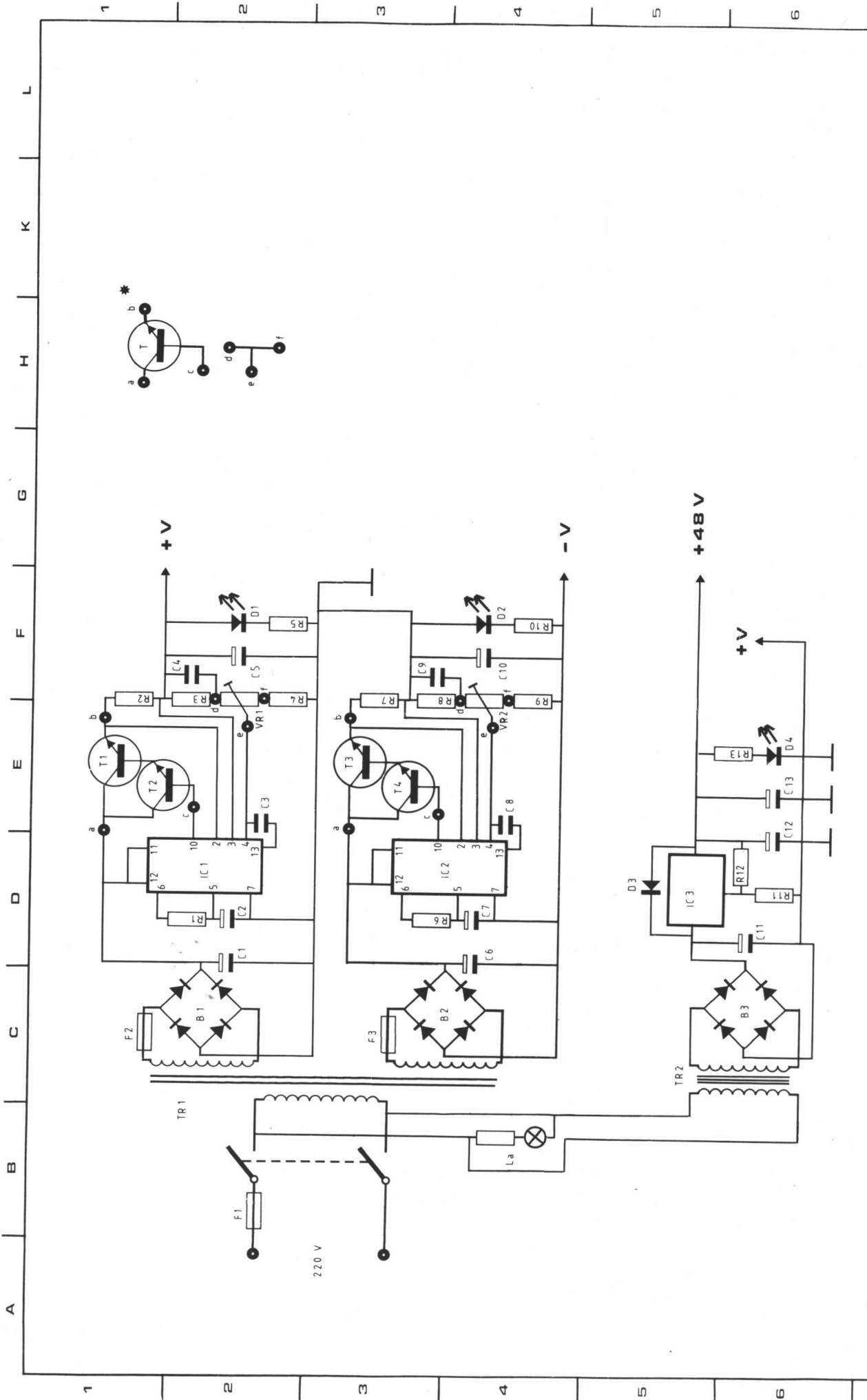
-----

PARTLIST : 4000-7

print index:

| PartNr      | Value    | Notes       | ArtNr |
|-------------|----------|-------------|-------|
| R1          | 33 E     | 5%          | 0711  |
| R2          | 10 k     | 5%          | 0741  |
| R3          | 10 k     | 5%          | 0741  |
| R4          | 10 k     | 5%          | 0741  |
| R5          | 47 E     | 5%          | 0713  |
| R6          | 33 E     | 5%          | 0711  |
| R7          | 10 k     | 5%          | 0741  |
| R8          | 10 k     | 5%          | 0741  |
| R9          | 10 k     | 5%          | 0741  |
| R10         | 47 E     | 5%          | 0713  |
| R11         | 33 E     | 5%          | 0711  |
| R12         | 10 k     | 5%          | 0741  |
| R13         | 10 k     | 5%          | 0741  |
| R14         | 10 k     | 5%          | 0741  |
| R15         | 47 E     | 5%          | 0713  |
| R16         | 33 E     | 5%          | 0711  |
| R17         | 10 k     | 5%          | 0741  |
| R18         | 10 k     | 5%          | 0741  |
| R19         | 10 k     | 5%          | 0741  |
| R20         | 47 E     | 5%          | 0713  |
| C1          | 39 p     | ker         | 0220  |
| C2          | 39 p     | ker         | 0220  |
| C3          | 47 / 25  | elco        | 0287  |
| C4          | 39 p     | ker         | 0220  |
| C5          | 39 p     | ker         | 0220  |
| C6          | 47 / 25  | elco        | 0287  |
| C7          | 39 p     | ker         | 0220  |
| C8          | 39 p     | ker         | 0220  |
| C9          | 47 / 25  | elco        | 0287  |
| C10         | 39 p     | ker         | 0220  |
| C11         | 39 p     | ker         | 0220  |
| C12         | 47 / 25  | elco        | 0287  |
| C13         | 0.1 / 63 | ker         | 0241  |
| C14         | 0.1 / 63 | ker         | 0241  |
| A1,A3       | NE 5532  | lowns opamp | 0307  |
| A5,A7       | NE 5532  | lowns opamp | 0307  |
| A2,A4,A6,A8 | TL 074   | Bifet opamp | 0305  |



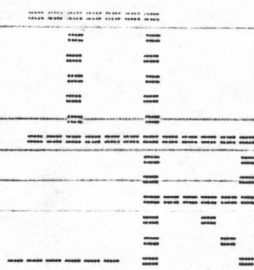



  
 RIJKWAARDE 15b  
 1382 GS WEESP  
 HOLLAND  
 PHONE 07140 18014  
 ELECTRONICA BV

TITLE:  
**SUPPLY 00OPS**  
 SHEET OF OF

P.C.B. INDEX: **a**  
 DRAWN :  
 DATE :  
 CHECKED:

NOTES:  
 \* ONLY FOR SERIES 1500 2000-10



=====  
 == ELECTRONICA B.V. ==

produktie en ontwikkeling van  
 geluidsmengpanelen en accessoires

Date: 09-04-1986

R & D department

PARTLIST : SUPPLY 000PS

print index: a

| PartNr   | Value              | Notes      | PartNr |
|----------|--------------------|------------|--------|
| R1       | 2 k 2              | 5%         | 0733   |
| R2       | 0.1 E              | 10%-5W     | 0785   |
| R3       | 6k0 <del>2k2</del> | 5%         | 0739   |
| R4       | 4 k 7              | 5%         | 0737   |
| R5       | 1 k 8              | 5%         | 0732   |
| R6       | 2 k 2              | 5%         | 0733   |
| R7       | 0.1 E              | 10%-5W     | 0785   |
| R8       | 6k0 <del>2k2</del> | 5%         | 0740   |
| R9       | 4 k 7              | 5%         | 0737   |
| R10      | 1 k 8              | 5%         | 0732   |
| R11      | 470 E              | 5%         | 0725   |
| R12      | 3 k 9              | 5%         | 0736   |
| R13      | 3 k 9              | 5%         | 0736   |
| C1       | 4700 / 40          | elco       | 0299   |
| C2       | 100 / 25           | elco       | 0292   |
| C3       | 1000 p             | poly       | 0246   |
| C4       | ----               | ----       | ----   |
| C5       | 100 / 25           | elco       | 0292   |
| C6       | 4700 / 40          | elco       | 0299   |
| C7       | 100 / 25           | elco       | 0292   |
| C8       | 1000 p             | poly       | 0246   |
| C9       | ----               | ----       | ----   |
| C10      | 100 / 25           | elco       | 0292   |
| C11      | 4700 / 63          | elco       | 0300   |
| C12      | 220 / 63           | elco       | 0293   |
| C13      | 220 / 63           | elco       | 0293   |
| C14      | 0.1 / 63           | ker        | 0241   |
| C15      | 0.1 / 63           | ker        | 0241   |
| C16      | 0.1 / 63           | ker        | 0241   |
| VR1,VR2  | 1 k                | inst.pot m | 0163   |
| Ic1,Ic2  | 723                | var.reg    | 0313   |
| Ic3      | 7824               | pos.reg    | 0324   |
| T1,T3    | 2N 3055            | powerNPN   | 0336   |
| T2,T4    | BD 237             | powerNPN   | 0334   |
| B1,B2    | 010 / 100          | rect.br    | 0348   |
| B3       | B80C1500           | rect.br    | 0346   |
| D1,D2,D4 | led 3mm            | red 0      | 0387   |
| D3       | 1N 4148            | sgn        | 0342   |

TR1

Toroidaltransformer

0578



D&RElectronica b.v.

manufacturer of: recording - broadcast - p.a. - mixingdesks - signal processors

#### 4000 MASTER ADJUSTMENT PROCEDURE PFL CLICKS.

#### ADJUSTMENT PROCEDURE:

Activate one of the PFL buttons several times and listen at the same time to the Control Room Monitor and adjust the PFL click to it's minimum, by way of the PFL trimmer.

#### HOW TO FIND THE TRIMMER:

Remove the backplate of the master section. The master section has to be placed in the console. Now adjust with a long screwdriver the PFL trim pot. The trim pot is at the bottom of the print, just below the 18-pins molex connector.

GOOD LUCK!

