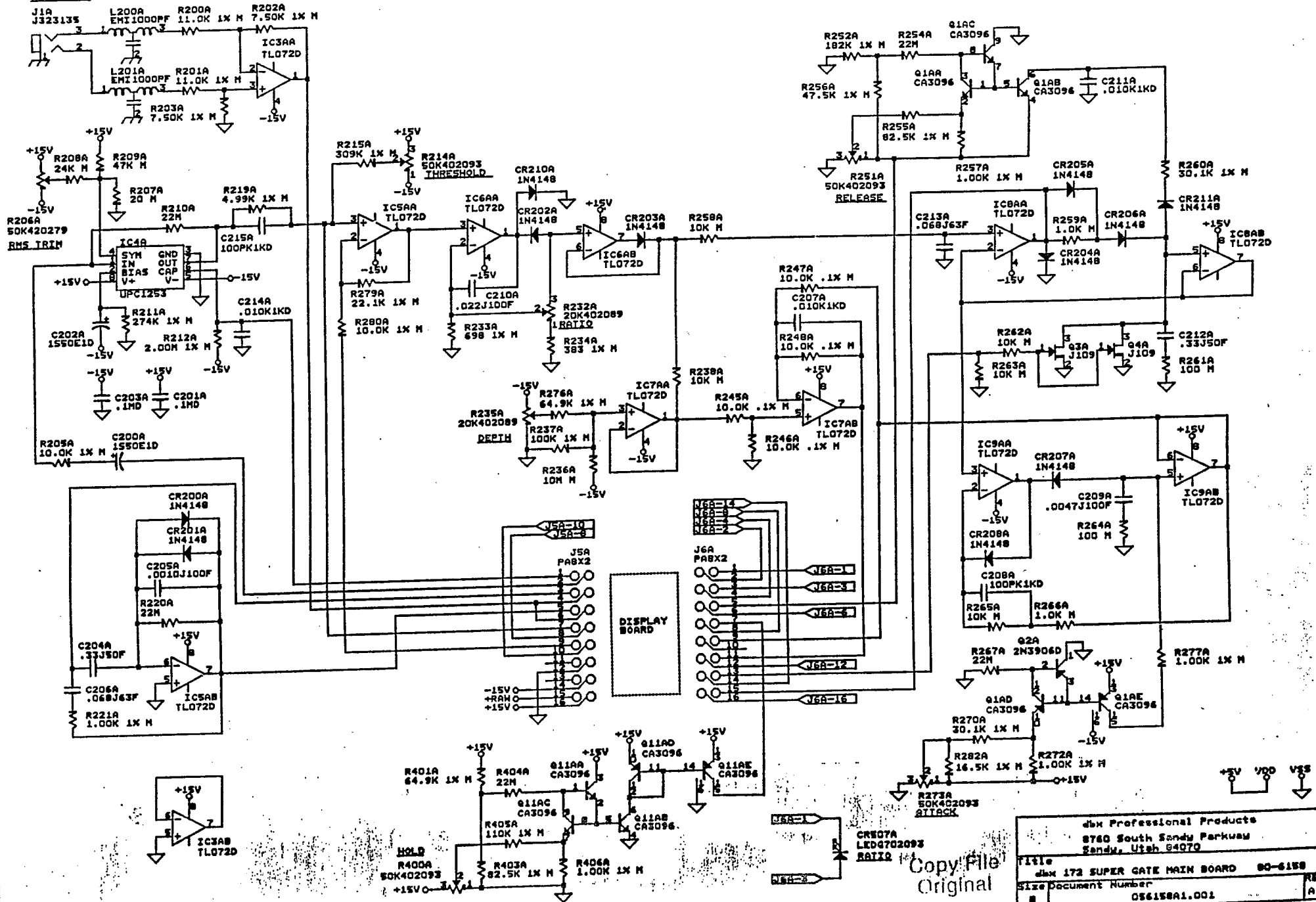


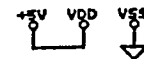
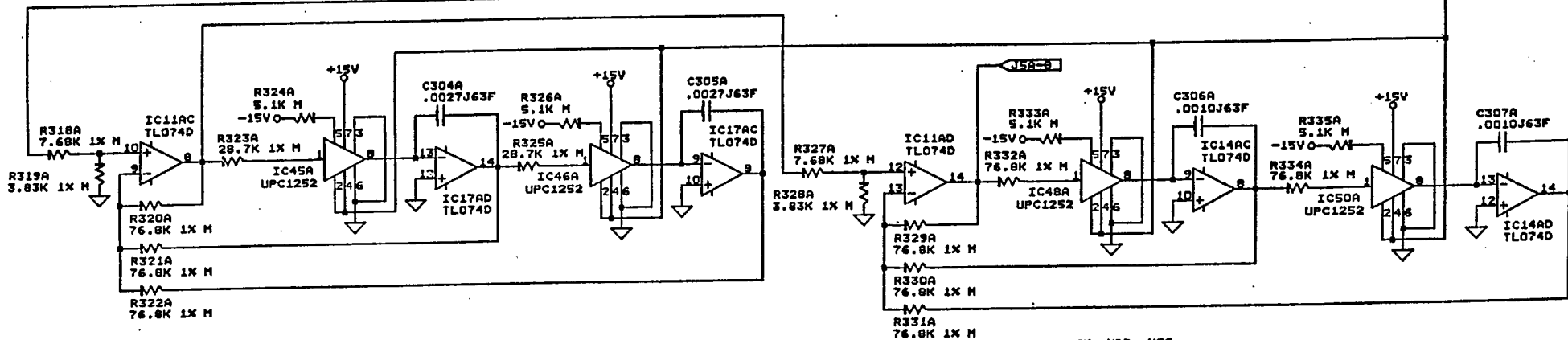
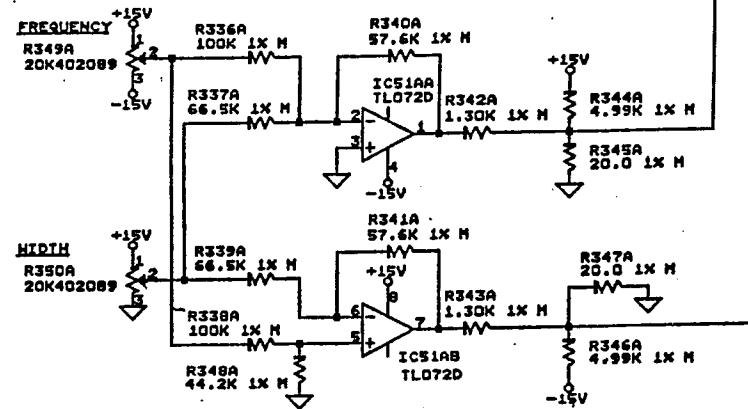
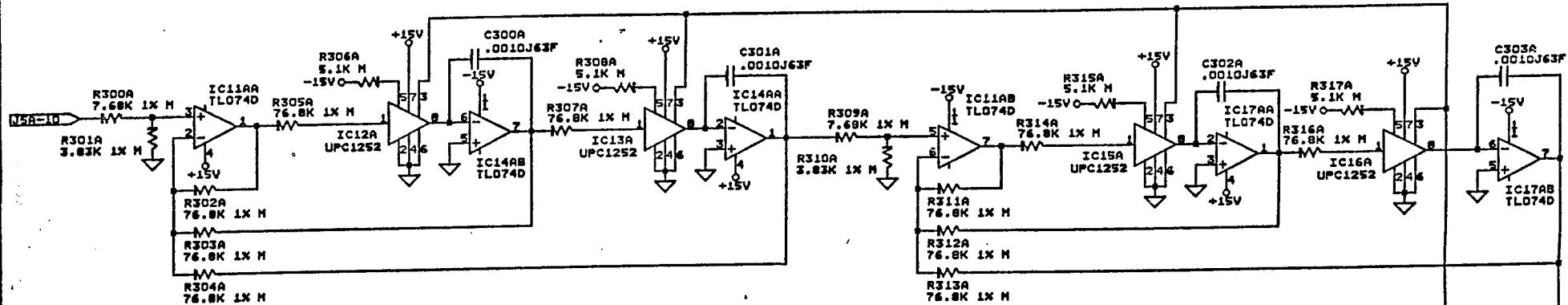
CHANNEL 1

KEY INPUT

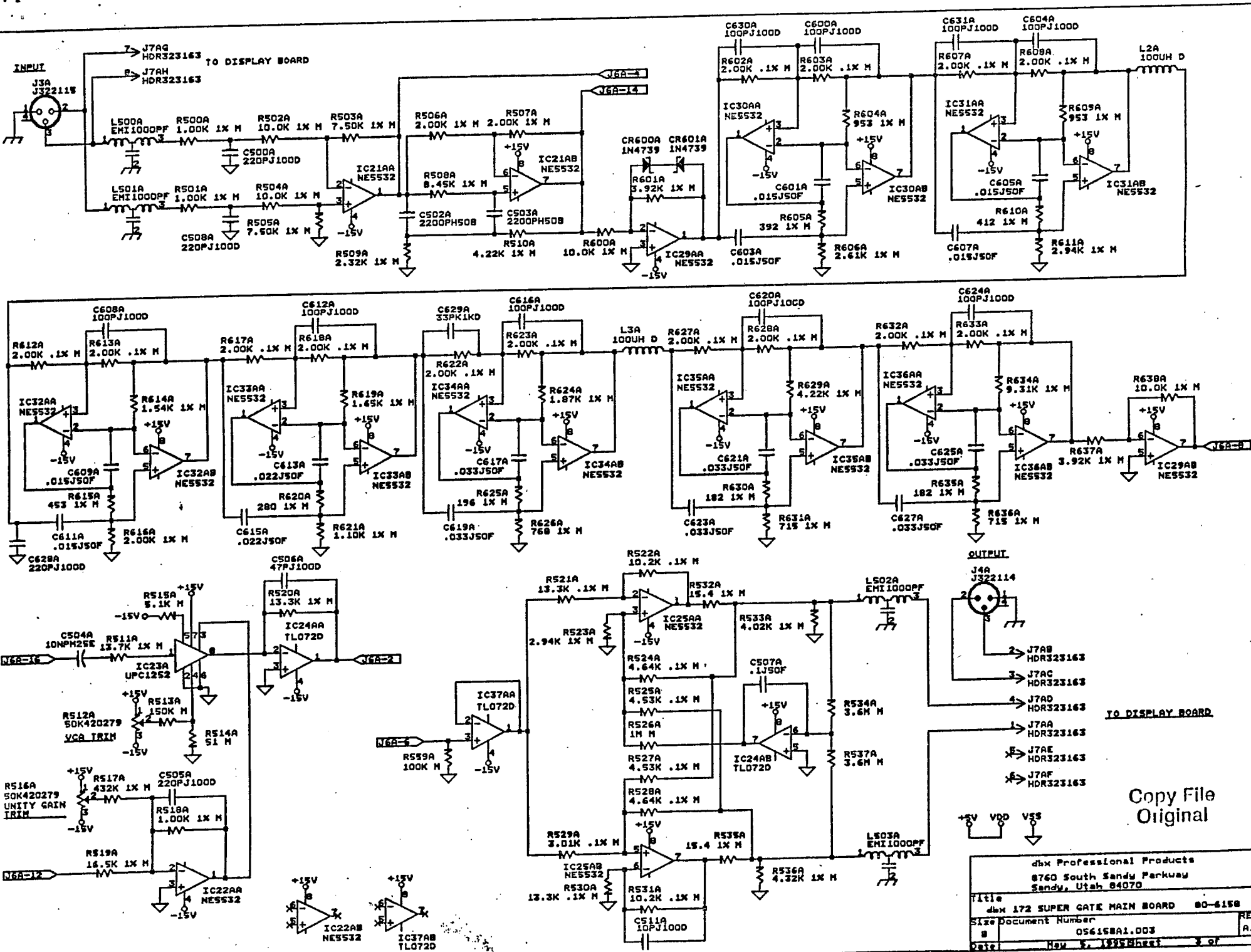


Copy File Original

dxh Professional Products	
8760 South Sandy Parkway	
Sandy, Utah 84070	
Title	dxh 172 SUPER GATE MAIN BOARD 80-6188
Size	Document Number
#	056158A1.001
Date	May 8, 1985 Sheet 1 of



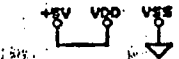
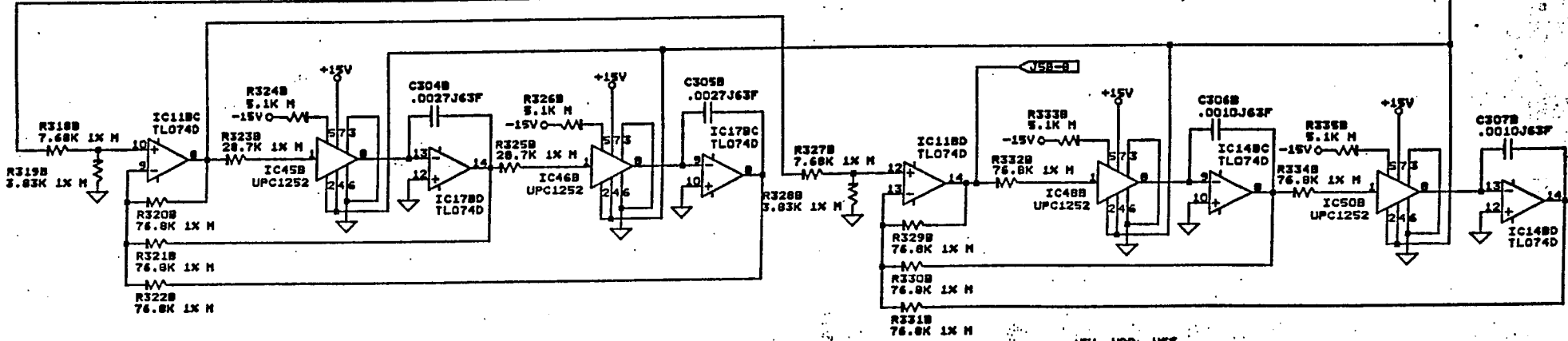
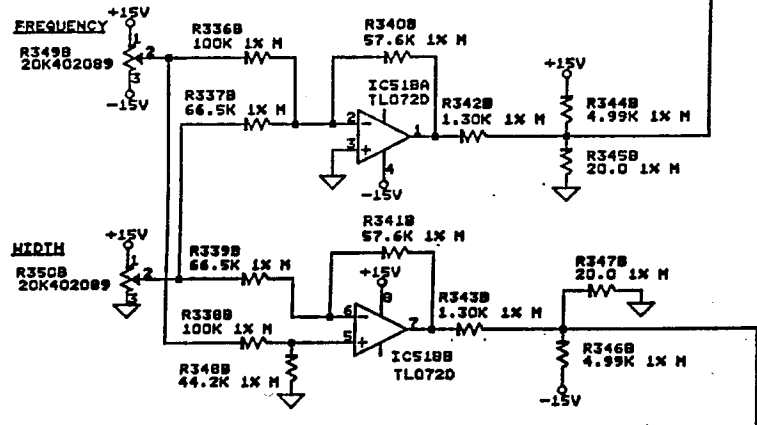
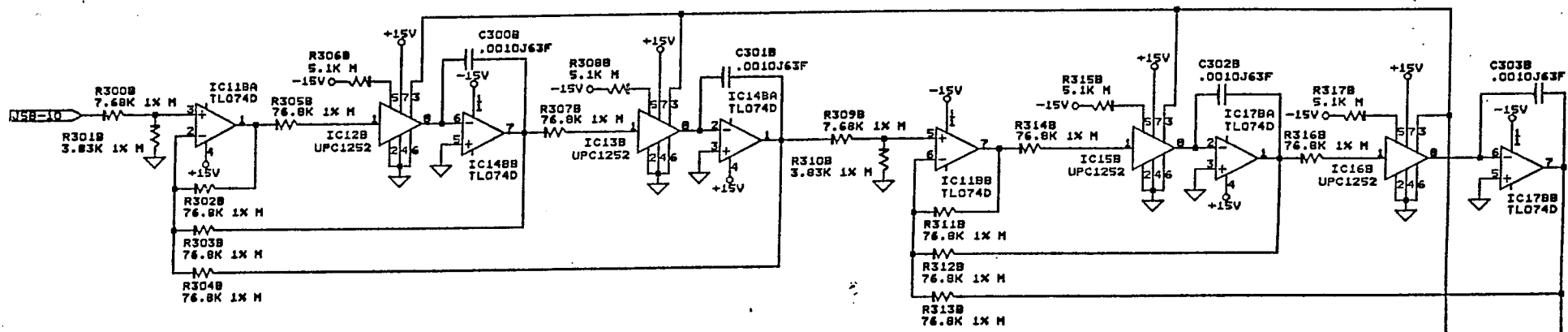
dbx Professional Products 8760 South Sandy Parkway Sandy, Utah 84070		
Title	dbx 172 SUPER GATE MAIN BOARD 80-6158	
Size	Document Number	REV
B	056158A1.002	A1
Date:	May 5, 1995	Sheet 2 of 7



TO DISPLAY BOARD

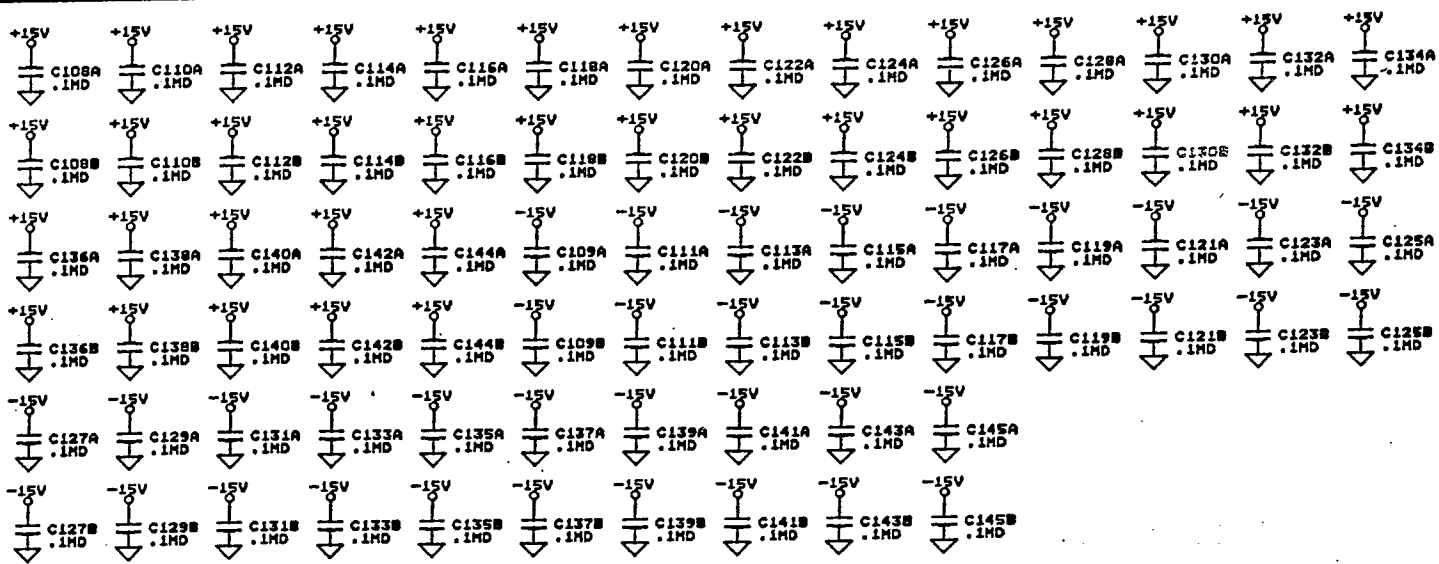
Copy File
Original

dbx Professional Products 8760 South Sandy Parkway Sandy, Utah 84070		
Title	dbx 172 SUPER GATE MAIN BOARD 80-6158	
Size	Document Number	REV
B	056158A1.003	A1
Date:	Nov 8, 1975	Sheet 3 of 7

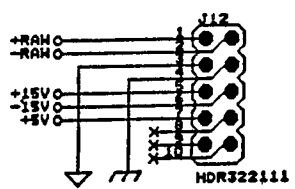


Copy File
Original

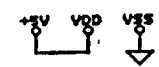
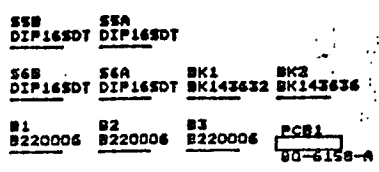
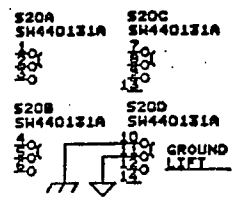
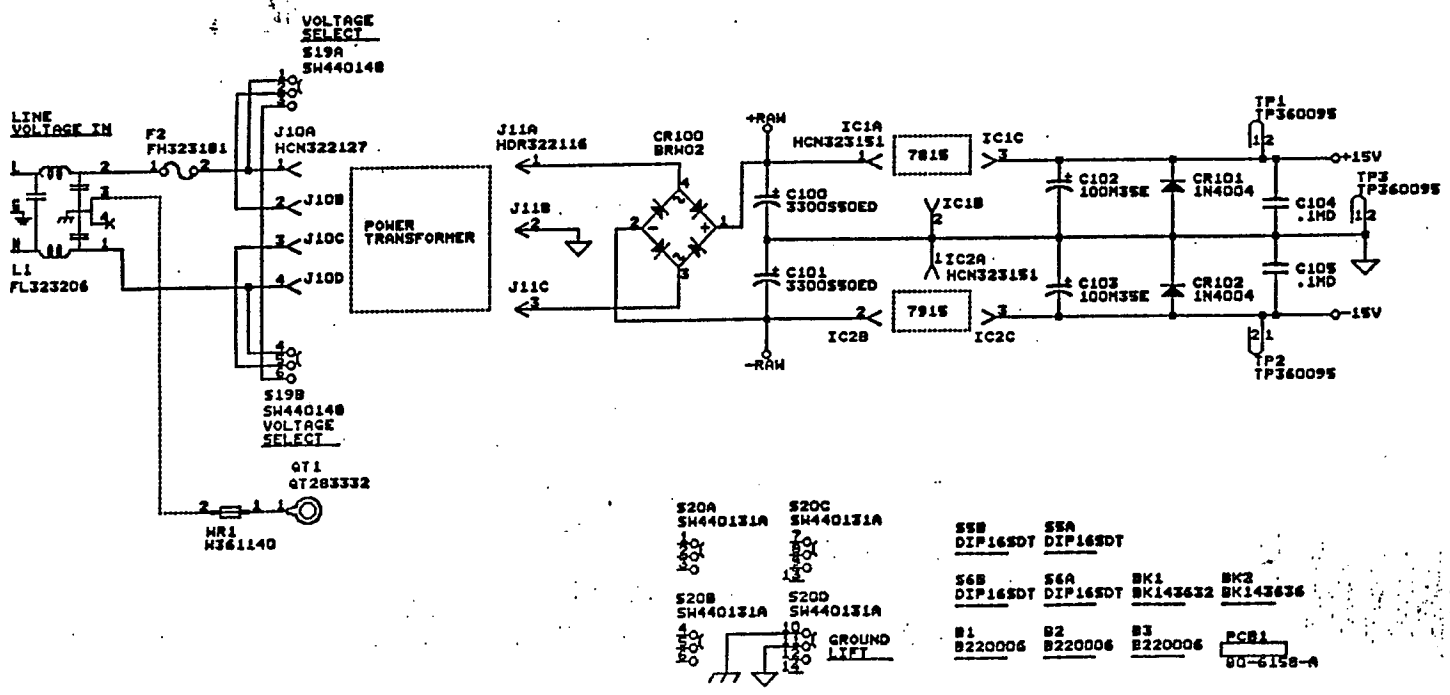
dbx Professional Products	
8760 South Sandy Parkway	
Sandy, Utah 84070	
Title	dbx 172 SUPER GATE MAIN BOARD 80-6188
Size	Document Number
8	066158A1.005
Date	Nov 5, 1975 Sheet 5 of 7



AUTOMATIC TEST UNIT

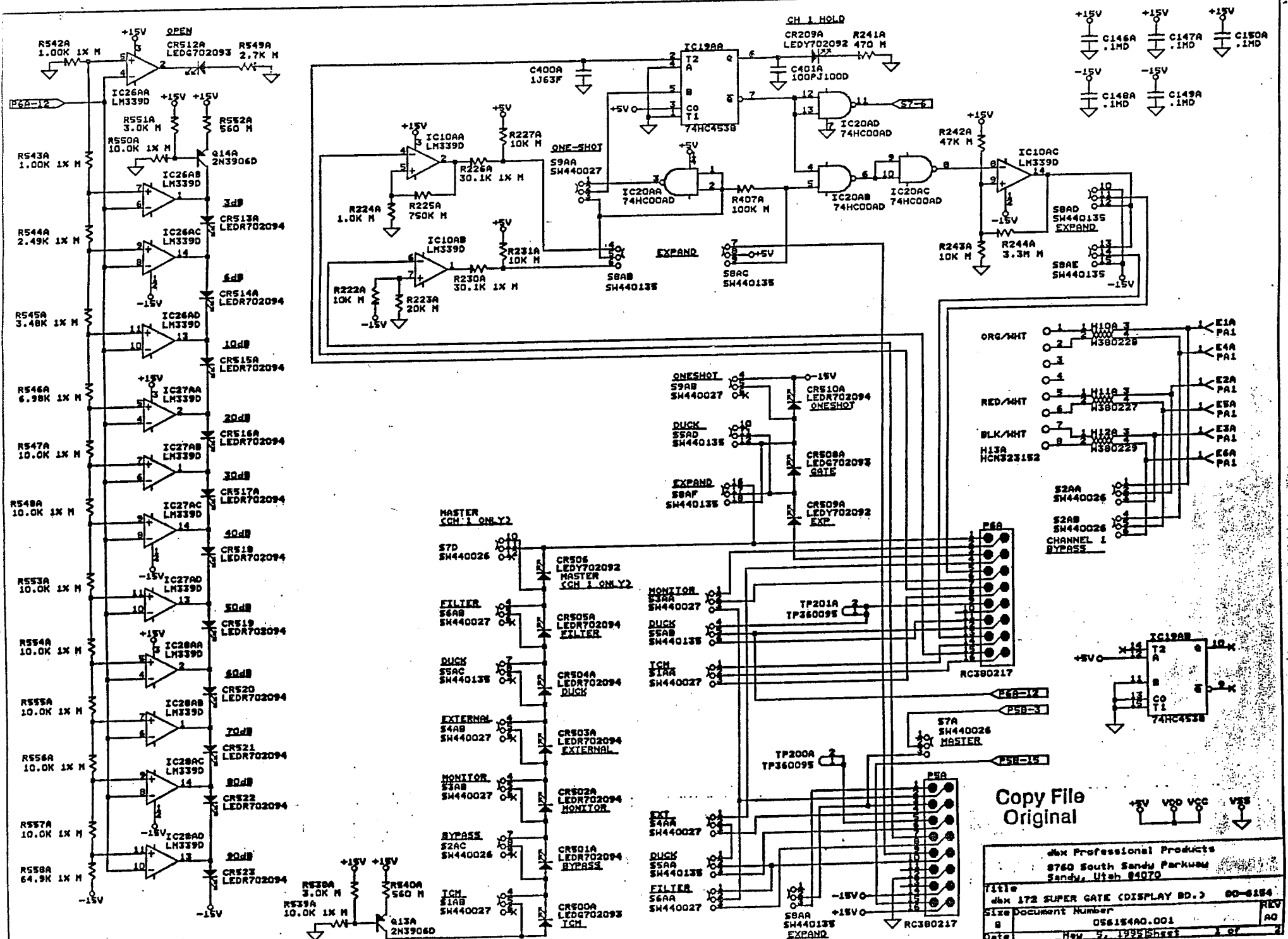


SC1 SC340125	SC5 SC340125	SC9 SC340125	SC13 SC340125	SC17 SC340125
SC2 SC340125	SC6 SC340125	SC10 SC340125	SC14 SC340125	SC18 SC340125
SC3 SC340125	SC7 SC340125	SC11 SC340125	SC15 SC340125	SC19 SC340125
SC4 SC340125	SC8 SC340125	SC12 SC340125	SC16 SC340125	



Copy File Original

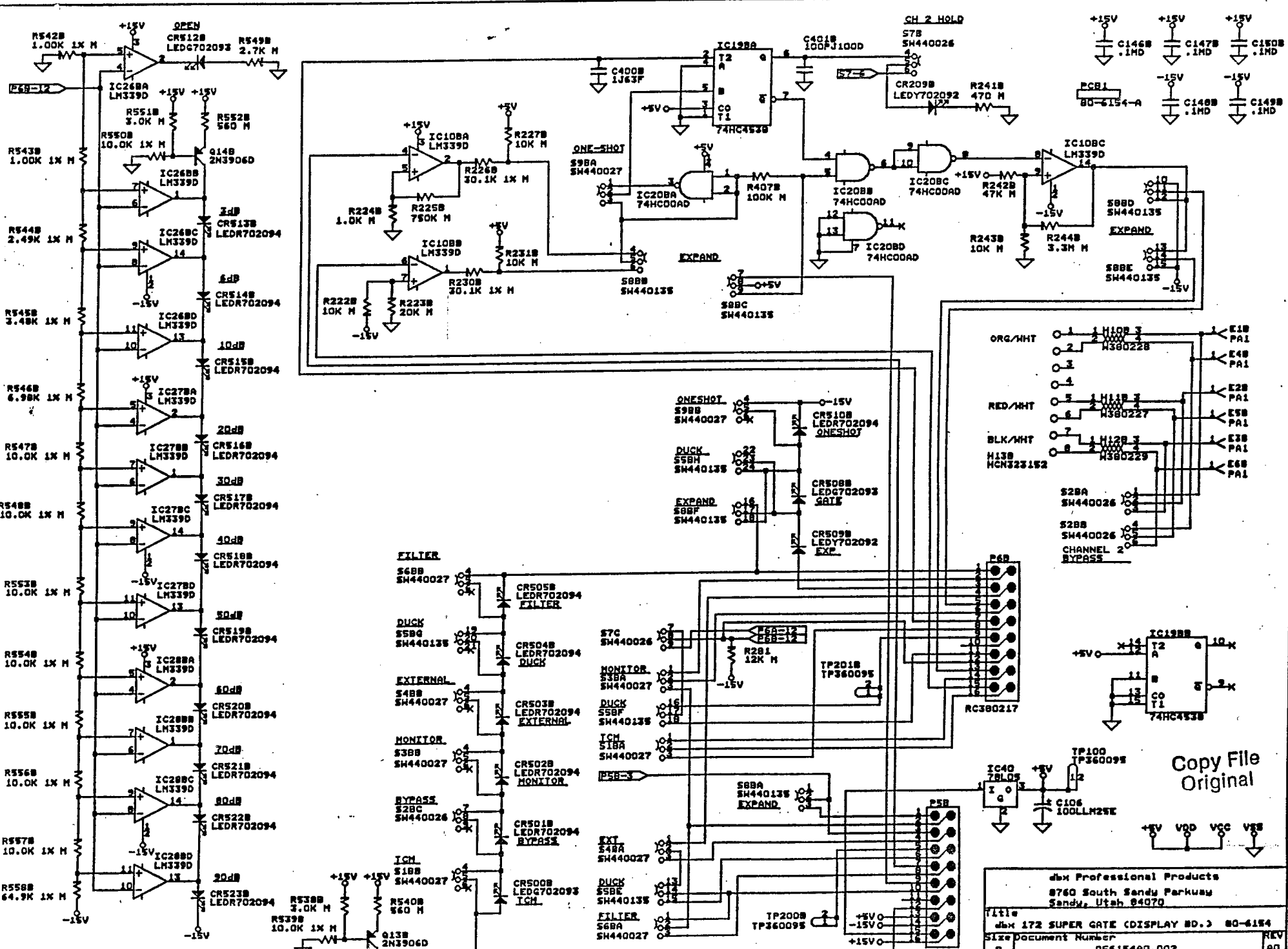
dbx Professional Products 8760 South Sandy Parkway Sandy, Utah 84070		
Title	dbx 172 SUPER GATE MAIN BOARD 80-6158	
Size	Document Number	REV
B	056158A1.007	A1
Date	Nov 5, 1995	Sheet 7 of 7



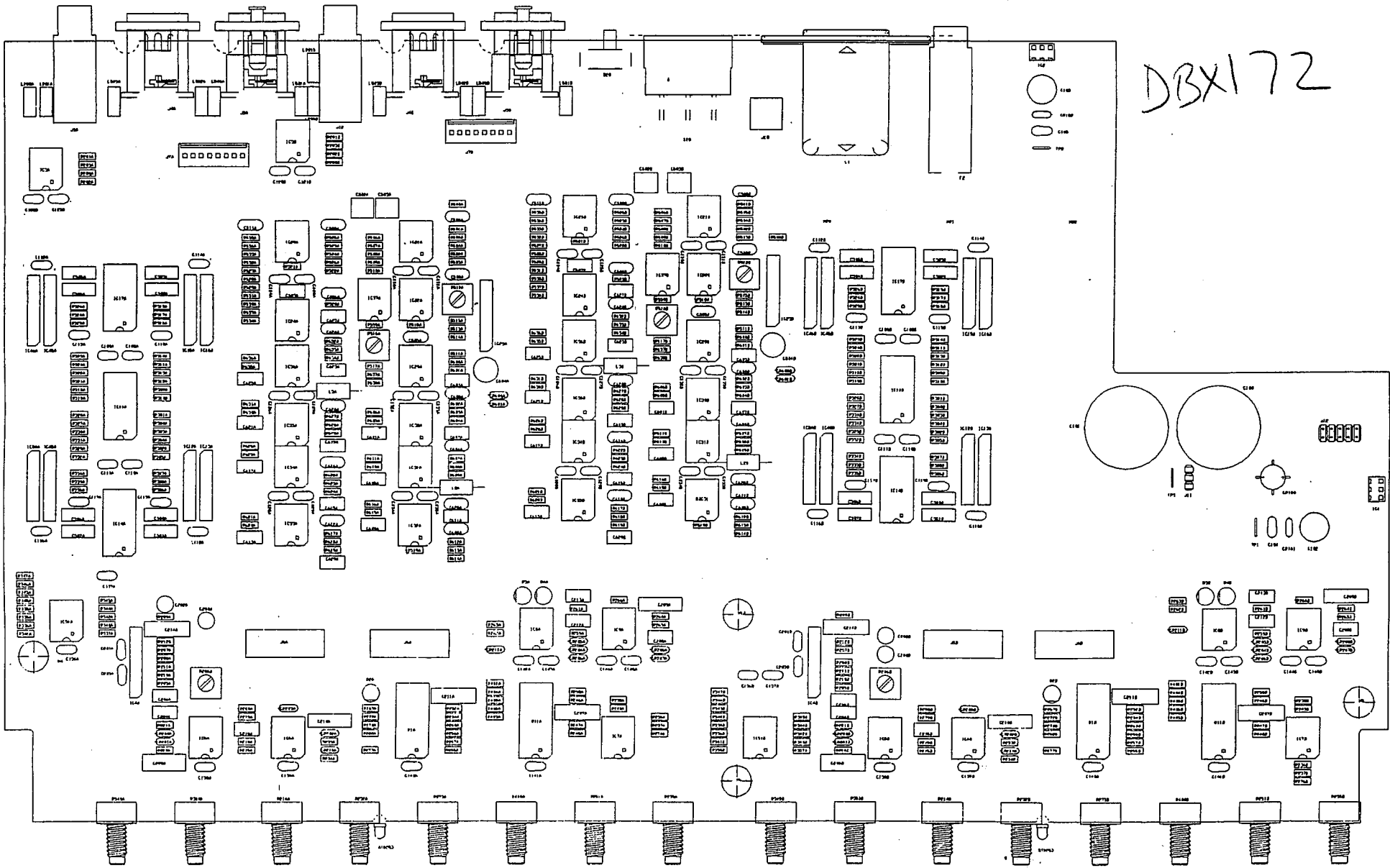
Copy File
 Original

Professional Products
 8760 South Sandy Parkway
 Sandy, Utah 84070

Title	172 SUPER GATE (DISPLAY BD.)	00-6184
Size	Document Number	REV
8	056184Q.001	AQ
Date	Nov 5, 1995	Sheet 1 of 2



Copy File Original



DBX172

