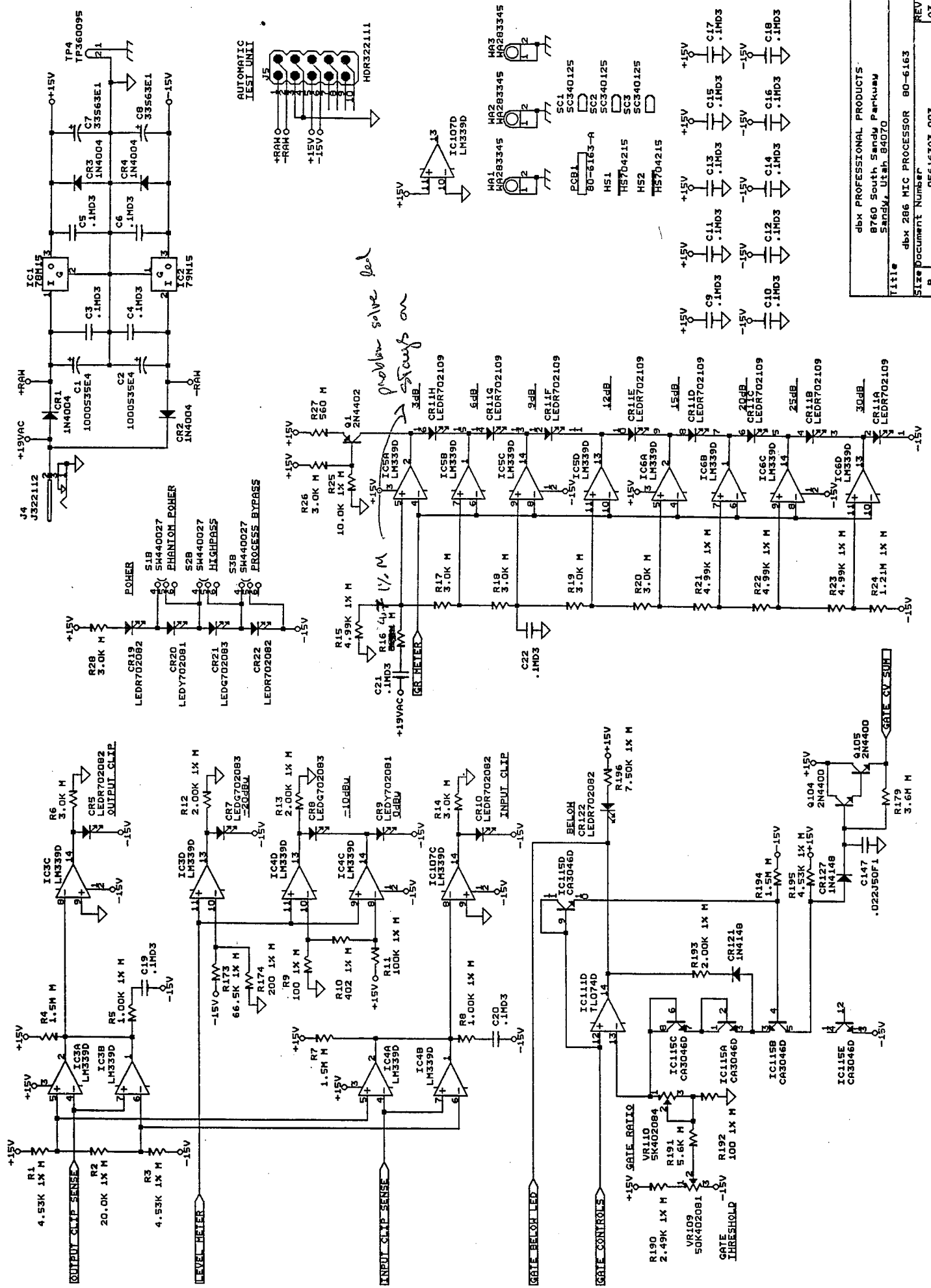


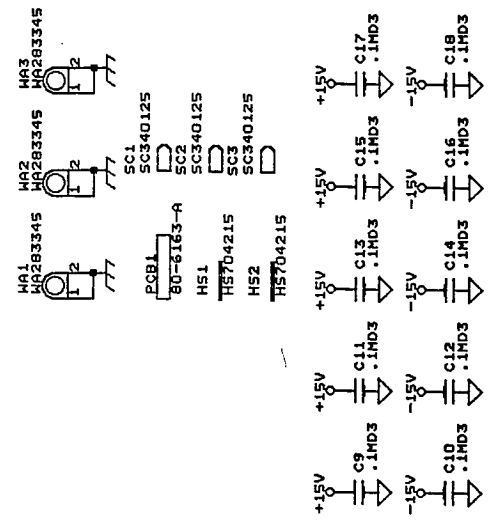
dbx PROFESSIONAL PRODUCTS  
 8760 South Sandy Parkway  
 Sandy, Utah 84070

Title: dbx 286 MIC PROCESSOR 80-6163  
 Size: Document Number 056163A3.002  
 Date: October 24, 1995 Sheet 2 of 3

GRATE BELOW LED



*problem solve lead*  
*stamps on*



dbx PROFESSIONAL PRODUCTS	
8760 South Sandy Parkway	
Sandy, Utah 84070	
Title	dbx 286 MIC PROCESSOR 80-6163
Size Document Number	056163A3.003
REV	A3
REV	3 of 3

dbx 286 MIC PROCESSOR 80-6163  
056163A3.001

Revised: October 24, 1995

Revision: A3

Bill Of Materials

October 24, 1995

11:32:22

Quan Reference

Part

SYMAN

Description

Quan	Reference	Part	SYMAN	Description
2	C1,C2	1000S35E4	60-0321	1000 uF Cap 35V -20/+100% Elect. Long Lead
22	C3,C4,C5,C6,C9,C10,C11, C12,C13,C14,C15,C16,C17, C18,C19,C20,C21,C22,C118, C128,C134,C143	.1MD3	62-0060	.1 uF Cap 50V 20% Ceramic AXL
2	C7,C8	33S63E1	60-0324	33 uF Cap 63V Alum, Rad
1	C23	1000ME4	60-0064-01	1000 uF Cap 16V -20/+20% Elect-L
8	C100,C101,C114,C131,C132, C141,C148,C149	1000PJ100M	62-0061	1000 pF Cap 100V 5% Ceramic AXL NPO
1	C102	47ME1	60-0054-01	47 uF Cap 16V -20/+20% Elect., T&R
2	C103,C105	100LLM25E1	60-1055	100 uF Cap 25V 20% Alum Rad, LL-S
4	C104,C106,C108,C109	.1J50F1	56-3109	.1 uF Cap 50V 5% M/Plyes Rad
1	C107	470PJ100D1	62-3085	470 pF Cap 100V 5% Ceramic Disc Ammo T&R
3	C110,C123,C126	.22J50F	56-3104	.22 uF Cap 50V 5% M/Plyes Rad
3	C111,C112,C115	22NPS25E1	60-0322	22 uF Cap 25V -20/+20% Elect. NP
3	C113,C117,C142	100PJ100M3	62-3080	100 pF Cap 100V 5% Ceramic Disc AXL NPO
2	C116,C119	3.3NPM50E1	60-0319	3.3 uF Cap 50V -20/+20% Elect. NP T&R
3	C120,C122,C144	.047J50F	56-3108	.047 uF Cap 50V 5% M/Plyes Rad
3	C121,C129,C135	1S50E1D	60-1024	1 uF Cap 50V Alum Rad
2	C124,C125	2.2S63E1	60-0323	2.2 uF Cap 63V Alum Rad T&R
4	C127,C136,C138,C139	.010J50F1	56-5047	.010 uF Cap 50V 5% M/Plyes Rad
2	C130,C137	.0033J50F1	56-5043	.0033 uF Cap 50V 5% M/Plyes Rad T&R
1	C133	680PJ100D1	62-3087	680 pF Cap 100V 5% Ceramic Disc Ammo T&R
1	C140	.0022J50F1	56-5041	.0022 uF Cap 50V 5% M/Plyes Rad Film T&R
2	C145,C146	47PJ100M3	62-0064	47 pF Cap 100V 5% Ceramic AXL NPO
1	C147	.022J50F1	56-5052	.022 uF Cap 50V 5% M/Plyes Rad T&R
4	CR1,CR2,CR3,CR4	1N4004	70-0009	1N4004 Rect 1A 400V
5	CR5,CR10,CR19,CR22,CR122	LEDR702082	70-2082	Red Light Emitting Diode, T1 Encap, w/housing
4	CR7,CR8,CR21,CR120	LEDG702083	70-2083	Green Light Emitting Diode, T1 Encap, w/housing
2	CR9,CR20	LEDY702081	70-2081	Yellow Light Emitting Diode, T1 Encap, w/housing
1	CR11	LEDR702109	70-2109	Red Light Emitting Diode, T1 Encap, 8 Pos, w/housing
4	CR100,CR101,CR102,CR103	1N4739	70-0159	1N4739 Diode Zener Glass, 1W, 9.1V, 10%
20	CR104,CR105,CR106,CR107, CR108,CR109,CR110,CR111, CR112,CR113,CR114,CR116, CR117,CR118,CR121,CR123, CR124,CR125,CR126,CR127	1N4148	70-0002	1N4148 Diode Silicon Switching, 75 Volts PIV
1	CR115	1N5711	70-0163	1N5711 Signal Hot Carrier (5082-2800)
1	CR119	1N4732	70-0158	1N4732 Diode Zener Glass, 1W, 4.7V, 10%
2	HS1,HS2	HS704215	70-4215	Heatsink, PCB Mount, for TO-220
1	IC1	78M15	70-4130	7815 +15 Volt Voltage Regulator
1	IC2	79M15	70-4131	7915 -15 Volt Voltage Regulator
5	IC3,IC4,IC5,IC6,IC107	LM339D	72-4306	LM339 Quad Comparator
1	IC100	SSM2017	72-4251	Mic Pre-Amp
1	IC101	TL072D	72-4315	TL072 Dual JFet-Input Op-Amp
3	IC102,IC104,IC108	UPC1252	72-4262	UPC1252HA2 VCA
1	IC103	NE5532	72-4316	5532 Low Noise Dual Op-Amp
4	IC105,IC106,IC109,IC111	TL074D	72-4320	TL074 Quad JFet-Input Op-Amp
2	IC110,IC112	UPC1253	72-4261	UPC1253HA2 RMS
1	IC115	CA3046D	72-4321	CA3046 Matched Transister Pairs BPO
1	J1	J322115	32-2115	XLR, Female PC Mount, Ins, R/A
3	J2,J3,J6	J322110	32-2110	Jack, 1/4" Phone, PC Mount, Hor., Cliff S2

Quan	Reference	Part	SYMAN	Description
2	C1,C2	1000S35E4	60-0321	1000 uF Cap 35V -20/+100% Elect. Long Lead
22	C3,C4,C5,C6,C9,C10,C11, C12,C13,C14,C15,C16,C17, C18,C19,C20,C21,C22,C118, C128,C134,C143	.1MD3	62-0060	.1 uF Cap 50V 20% Ceramic AXL
2	C7,C8	33S63E1	60-0324	33 uF Cap 63V Alum, Rad
1	C23	1000ME4	60-0064-01	1000 uF Cap 16V -20/+20% Elect-L
8	C100,C101,C114,C131,C132, C141,C148,C149	1000PJ100M	62-0061	1000 pF Cap 100V 5% Ceramic AXL NPO
1	C102	47ME1	60-0054-01	47 uF Cap 16V -20/+20% Elect., T&R
2	C103,C105	100LLM25E1	60-1055	100 uF Cap 25V 20% Alum Rad, LL-S
4	C104,C106,C108,C109	.1J50F1	56-3109	.1 uF Cap 50V 5% M/Plyes Rad
1	C107	470PJ100D1	62-3085	470 pF Cap 100V 5% Ceramic Disc Ammo T&R
3	C110,C123,C126	.22J50F	56-3104	.22 uF Cap 50V 5% M/Plyes Rad
3	C111,C112,C115	22NPS25E1	60-0322	22 uF Cap 25V -20/+20% Elect. NP
3	C113,C117,C142	100PJ100M3	62-3080	100 pF Cap 100V 5% Ceramic Disc AXL NPO
2	C116,C119	3.3NPM50E1	60-0319	3.3 uF Cap 50V -20/+20% Elect. NP T&R
3	C120,C122,C144	.047J50F	56-3108	.047 uF Cap 50V 5% M/Plyes Rad
3	C121,C129,C135	1S50E1D	60-1024	1 uF Cap 50V Alum Rad
2	C124,C125	2.2S63E1	60-0323	2.2 uF Cap 63V Alum Rad T&R
4	C127,C136,C138,C139	.010J50F1	56-5047	.010 uF Cap 50V 5% M/Plyes Rad
2	C130,C137	.0033J50F1	56-5043	.0033 uF Cap 50V 5% M/Plyes Rad T&R
1	C133	680PJ100D1	62-3087	680 pF Cap 100V 5% Ceramic Disc Ammo T&R
1	C140	.0022J50F1	56-5041	.0022 uF Cap 50V 5% M/Plyes Rad Film T&R
2	C145,C146	47PJ100M3	62-0064	47 pF Cap 100V 5% Ceramic AXL NPO
1	C147	.022J50F1	56-5052	.022 uF Cap 50V 5% M/Plyes Rad T&R
4	CR1,CR2,CR3,CR4	1N4004	70-0009	1N4004 Rect 1A 400V
5	CR5,CR10,CR19,CR22,CR122	LED702082	70-2082	Red Light Emitting Diode, T1 Encap, w/housing
4	CR7,CR8,CR21,CR120	LEDG702083	70-2083	Green Light Emitting Diode, T1 Encap, w/housing
2	CR9,CR20	LEDY702081	70-2081	Yellow Light Emitting Diode, T1 Encap, w/housing
1	CR11	LED702109	70-2109	Red Light Emitting Diode, T1 Encap, 8 Pos, w/housing
4	CR100,CR101,CR102,CR103	1N4739	70-0159	1N4739 Diode Zener Glass, 1W, 9.1V, 10%
20	CR104,CR105,CR106,CR107, CR108,CR109,CR110,CR111, CR112,CR113,CR114,CR116, CR117,CR118,CR121,CR123, CR124,CR125,CR126,CR127	1N4148	70-0002	1N4148 Diode Silicon Switching, 75 Volts PIV
1	CR115	1N5711	70-0163	1N5711 Signal Hot Carrier (5082-2800)
1	CR119	1N4732	70-0158	1N4732 Diode Zener Glass, 1W, 4.7V, 10%
2	HS1,HS2	HS704215	70-4215	Heatsink, PCB Mount, for TO-220
1	IC1	78M15	70-4130	7815 +15 Volt Voltage Regulator
1	IC2	79M15	70-4131	7915 -15 Volt Voltage Regulator
5	IC3,IC4,IC5,IC6,IC107	LM339D	72-4306	LM339 Quad Comparator
1	IC100	SSM2017	72-4251	Mic Pre-Amp
1	IC101	TL072D	72-4315	TL072 Dual JFet-Input Op-Amp
3	IC102,IC104,IC108	UPC1252	72-4262	UPC1252HA2 VCA
1	IC103	NE5532	72-4316	5532 Low Noise Dual Op-Amp
4	IC105,IC106,IC109,IC111	TL074D	72-4320	TL074 Quad JFet-Input Op-Amp
2	IC110,IC112	UPC1253	72-4261	UPC1253HA2 RMS
1	IC115	CA3046D	72-4321	CA3046 Matched Transister Pairs BPO
1	J1	J322115	32-2115	XLR, Female PC Mount, Ins, R/A
3	J2,J3,J6	J322110	32-2110	Jack, 1/4" Phone, PC Mount, Hor., Cliff S2