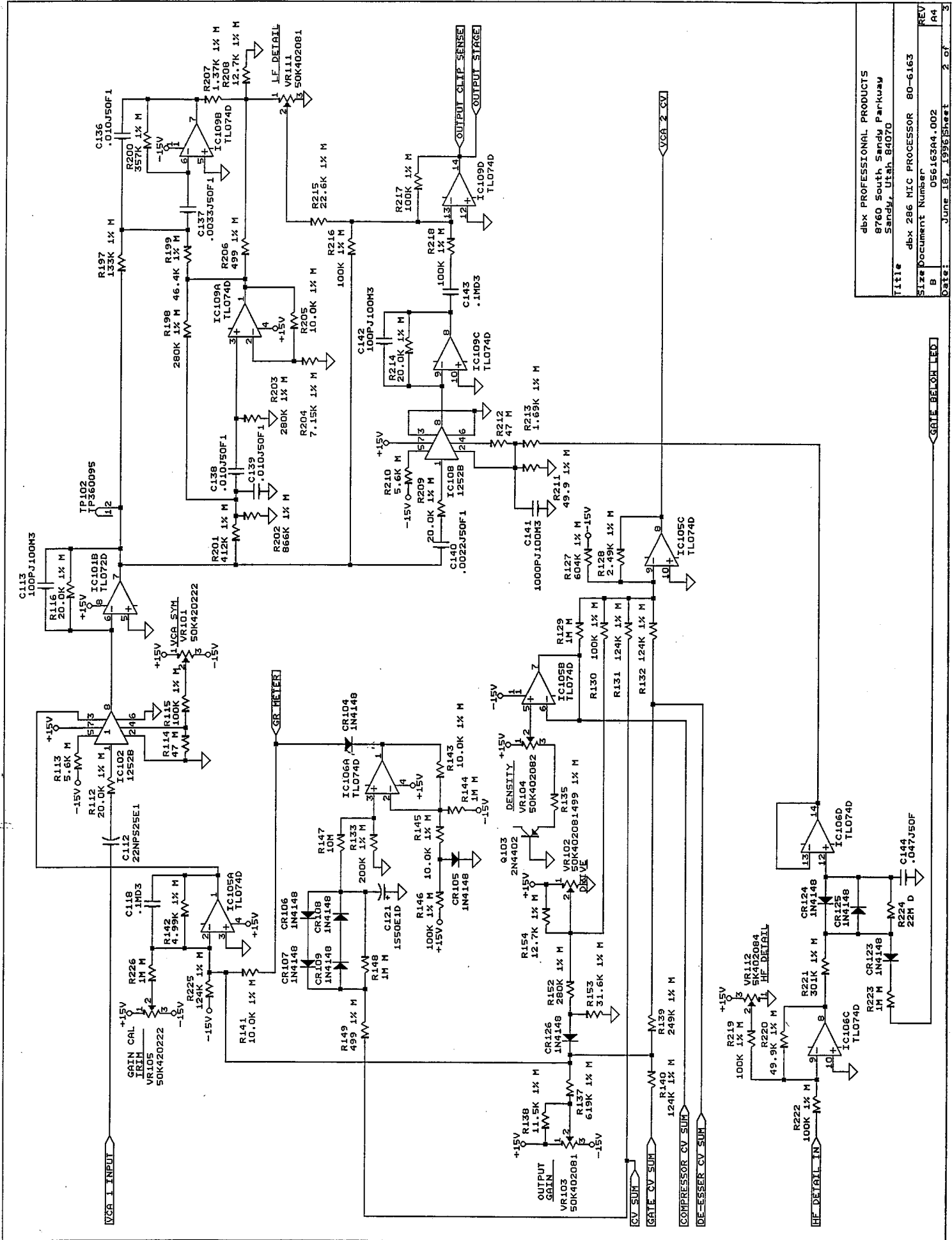


dbx PROFESSIONAL PRODUCTS
8760 South Sandy Parkway
Sandy, Utah 84070

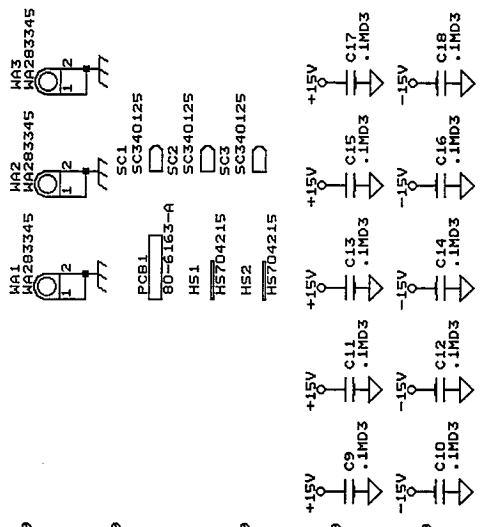
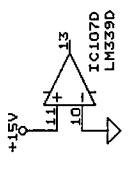
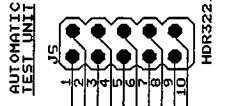
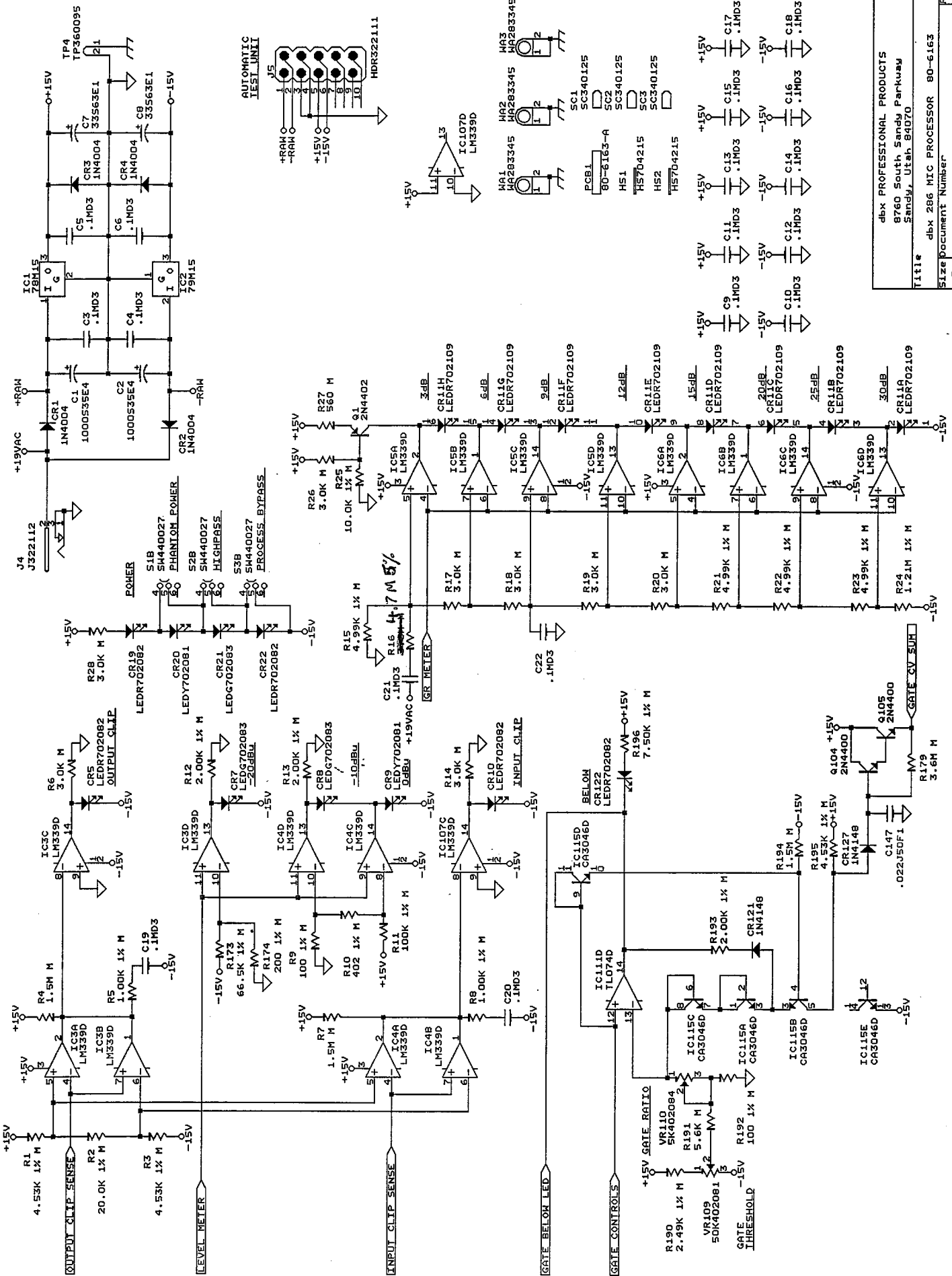
Title dbx 286 MIC PROCESSOR 8D-6163
Size Document Number 056163A4.001
Date: JUNE 18, 1995 Sheet 1 of 3



dbx PROFESSIONAL PRODUCTS
 8760 South Sandy Parkway
 Sandy, Utah 84070

Title dbx 286 MIC PROCESSOR 80-6163
 Size Document Number 056163A4.002
 B
 Date: June 18, 1995 Sheet 2 of 3

GATE BELOW LED



dbx PROFESSIONAL PRODUCTS
 8760 South Sandy Parkway
 Sandy, Utah 84070

Title: dbx 286 MIC PROCESSOR 80-6163
 Size: Document Number 056163A4.003
 REV: R4
 Date: June 18, 1996 Sheet 3 of 3