

REVISIONS			
REV	DESCRIPTION	DATE	APPROVED

CONTRACT NO.		IVL Technologies Ltd.	
APPROVALS	DATE	dbx 576 Vacuum Tube Preamp/Compressor	
DRAWN		Mic/Line Input Channel #1	
CHECKED		SIZE FSCM NO.	DWG. NO. 258-50
ISSUED			REV C
		SCALE	SHEET 1 of 12

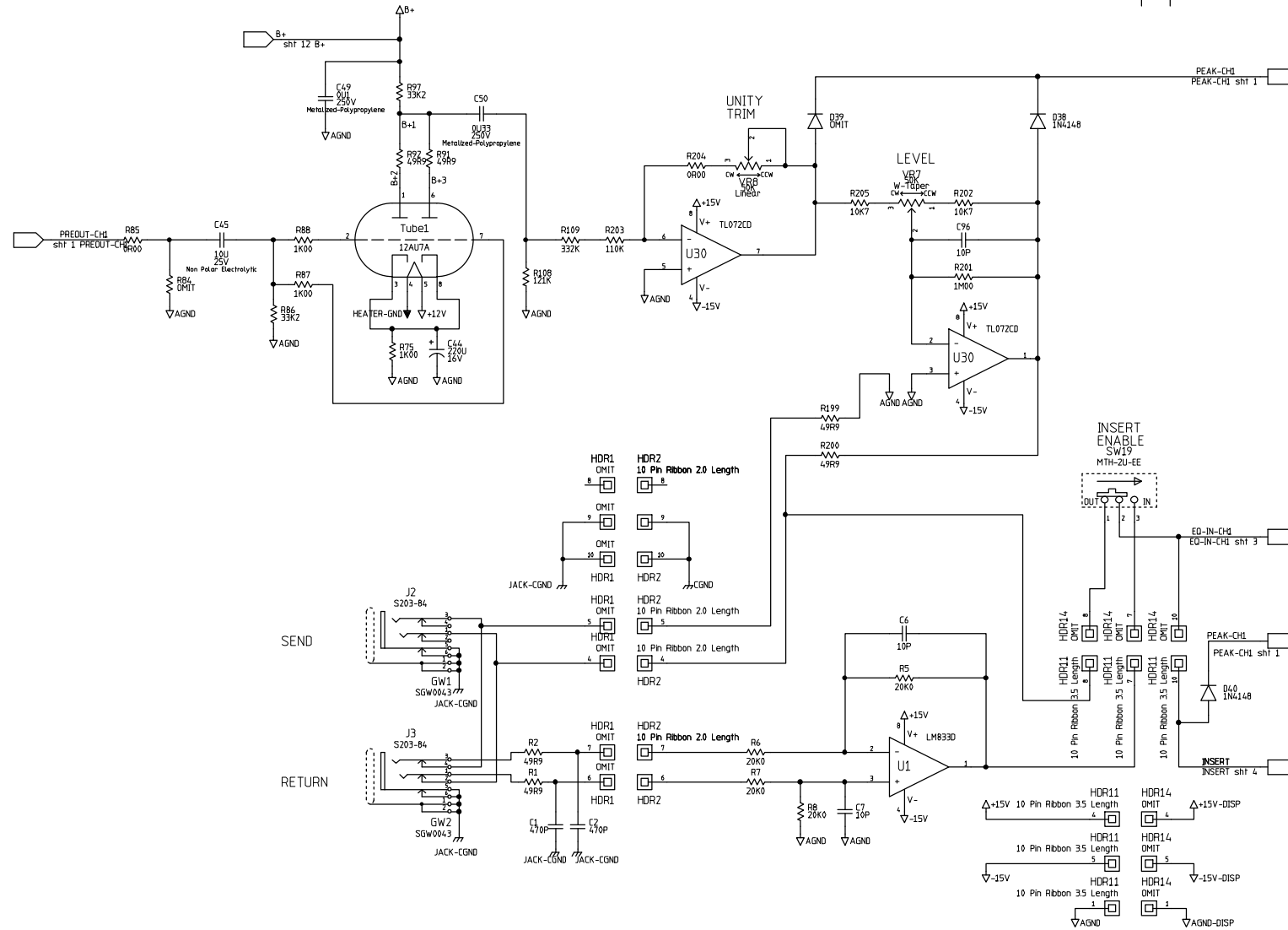
4

3

2

1

REVISIONS			
REV	DESCRIPTION	DATE	APPROVED



CONTRACT NO.		IVL Technologies Ltd.	
APPROVALS	DATE	dbx 576 Vacuum Tube Preamp/Compressor	
DRAWN		Tube Channel #1	
CHECKED		SIZE: FSCM NO.	DWG. NO. 258-50
ISSUED		SCALE	SHEET 2 of 12

4

3

2

1

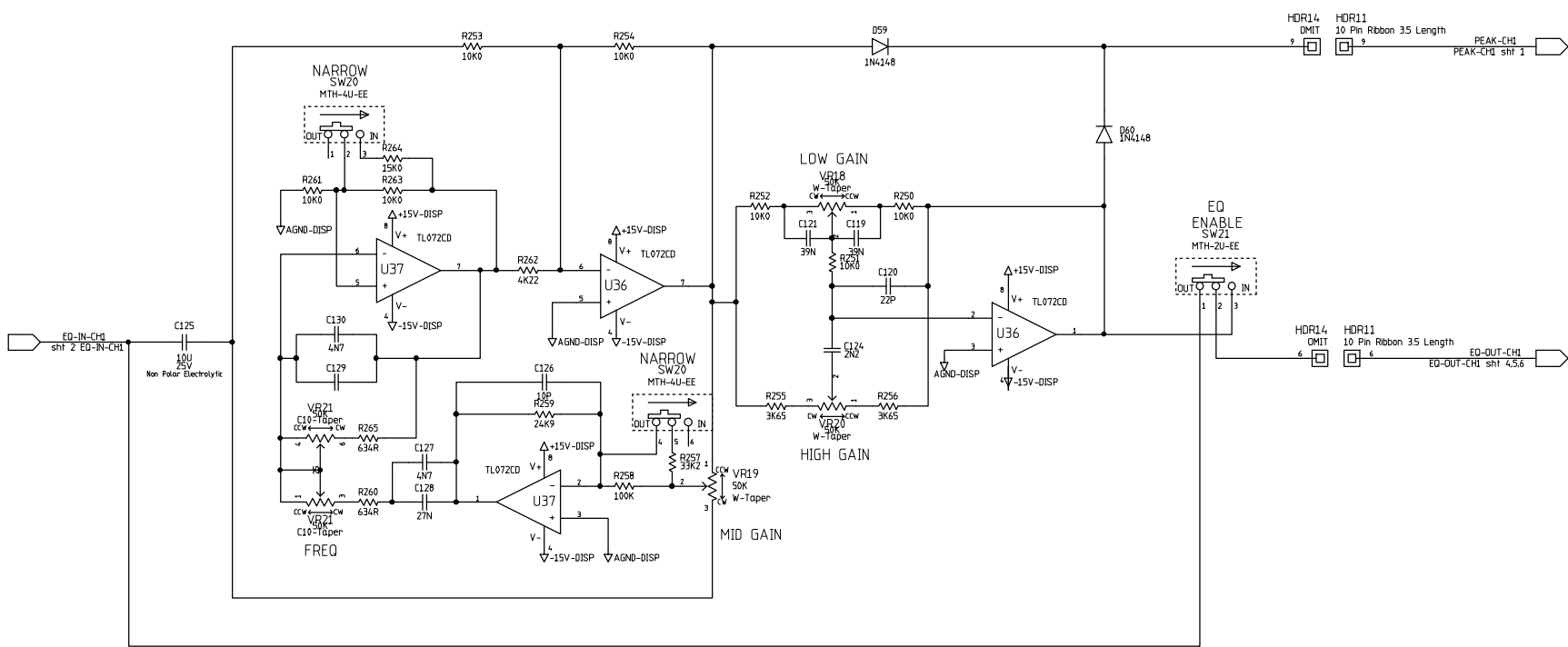
4

3

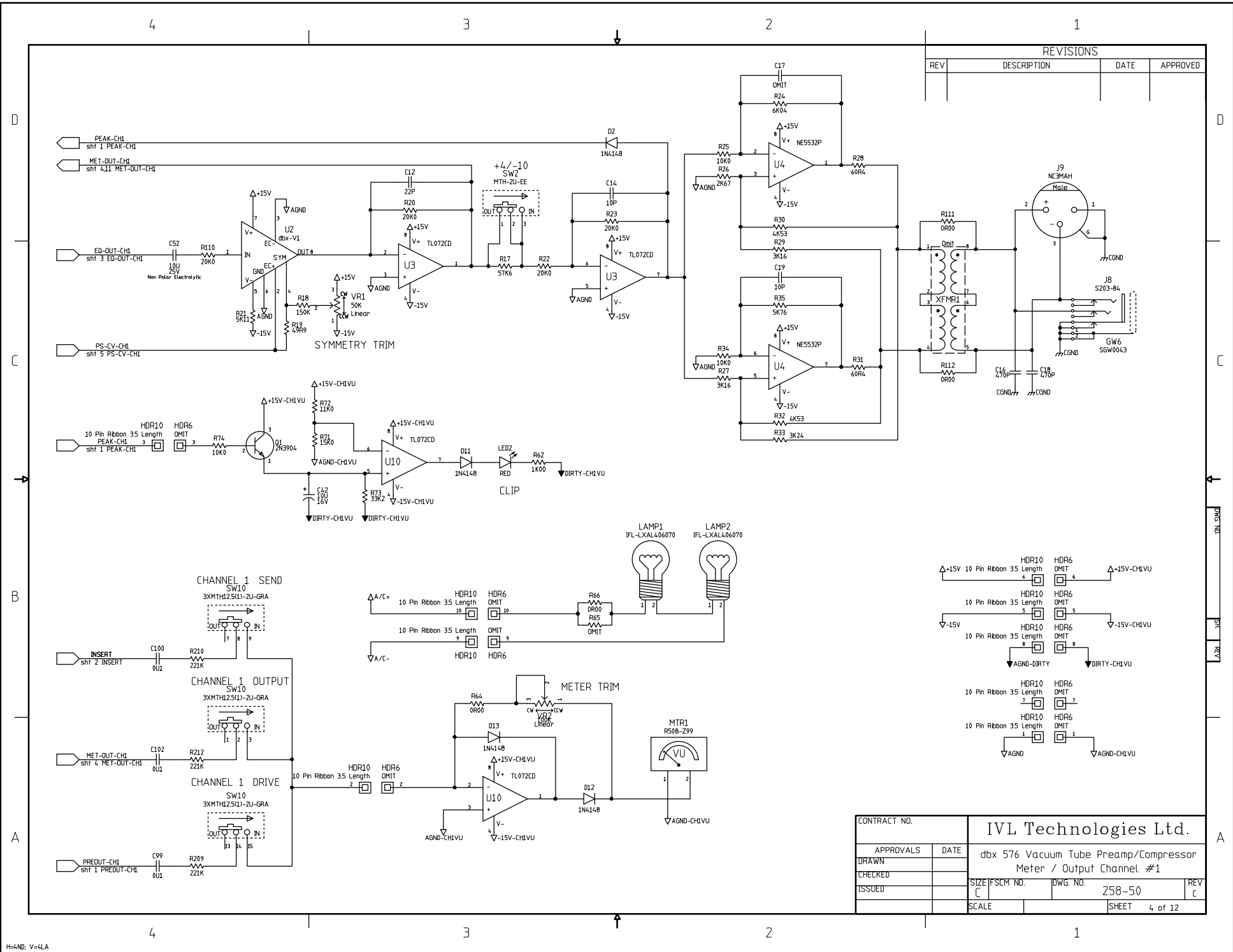
2

1

REVISIONS			
REV	DESCRIPTION	DATE	APPROVED

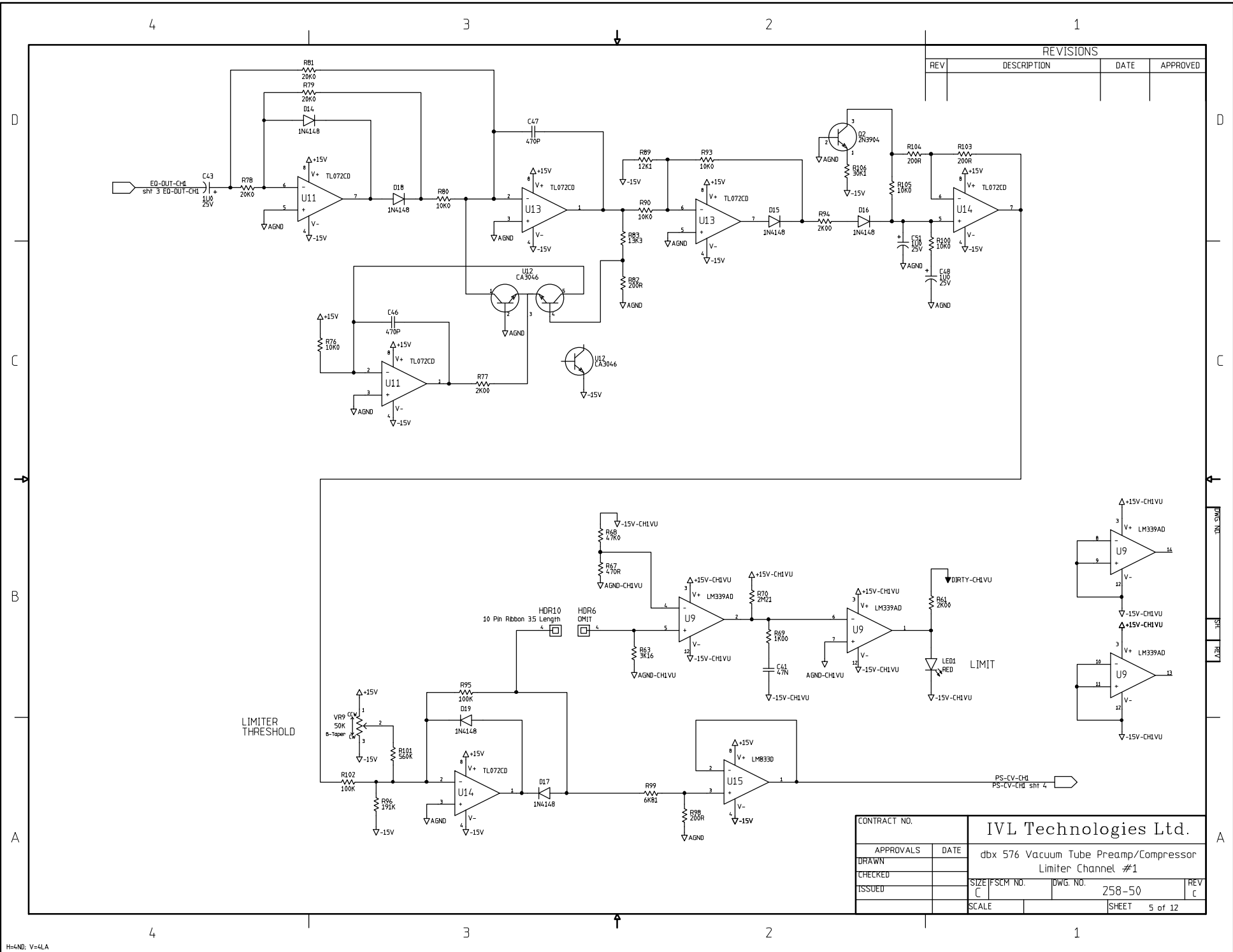


CONTRACT NO.		IVL Technologies Ltd.	
APPROVALS	DATE	dbx 576 Vacuum Tube Preamp/Compressor	
DRAWN		EQ Channel #1	
CHECKED		SIZE C	REV C
ISSUED		FSCM NO.	DWG. NO. 258-50
		SCALE	SHEET 3 of 12



REVISIONS			
REV	DESCRIPTION	DATE	APPROVED

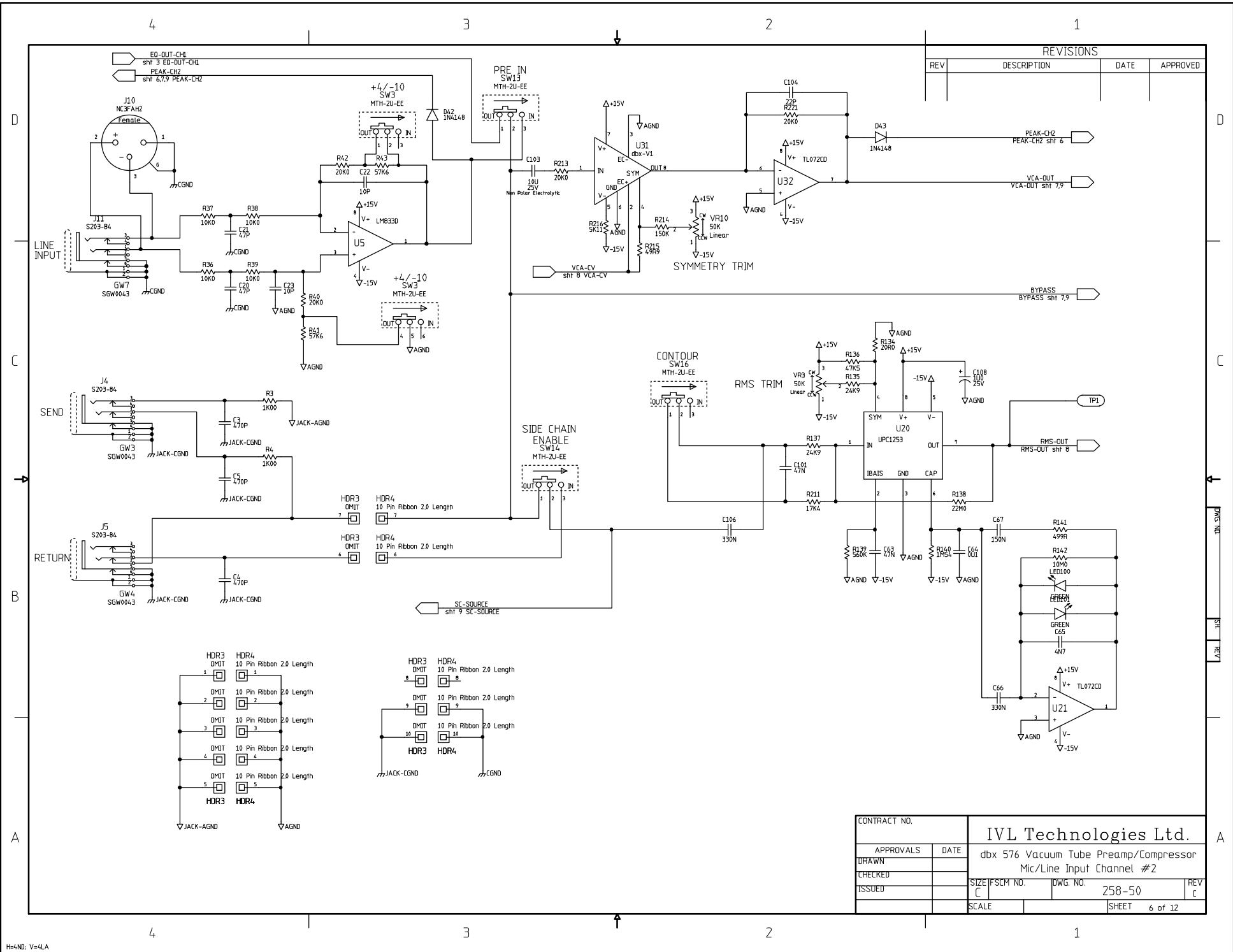
CONTRACT NO.		IVL Technologies Ltd.	
APPROVALS	DATE	dbx 576 Vacuum Tube Preamp/Compressor Meter / Output Channel #1	
DRAWN		SIZE	FSCM NO.
CHECKED		DWG. NO.	258-50
ISSUED		SCALE	SHEET 4 of 12



REVISIONS			
REV	DESCRIPTION	DATE	APPROVED

CONTRACT NO.		IVL Technologies Ltd.	
APPROVALS	DATE	dbx 576 Vacuum Tube Preamp/Compressor	
DRAWN		Limiter Channel #1	
CHECKED		SIZE FSCM NO.	DWG. NO. REV
ISSUED		C	258-50 C
		SCALE	SHEET 5 of 12

H=4ND; V=4LA



REVISIONS			
REV	DESCRIPTION	DATE	APPROVED

CONTRACT NO.		IVL Technologies Ltd.	
APPROVALS	DATE	dbx 576 Vacuum Tube Preamp/Compressor	
DRAWN		Mic/Line Input Channel #2	
CHECKED		SIZE/FSCM NO.	DWG. NO.
ISSUED		C	258-50
		SCALE	SHEET 6 of 12

H=4ND; V=4LA

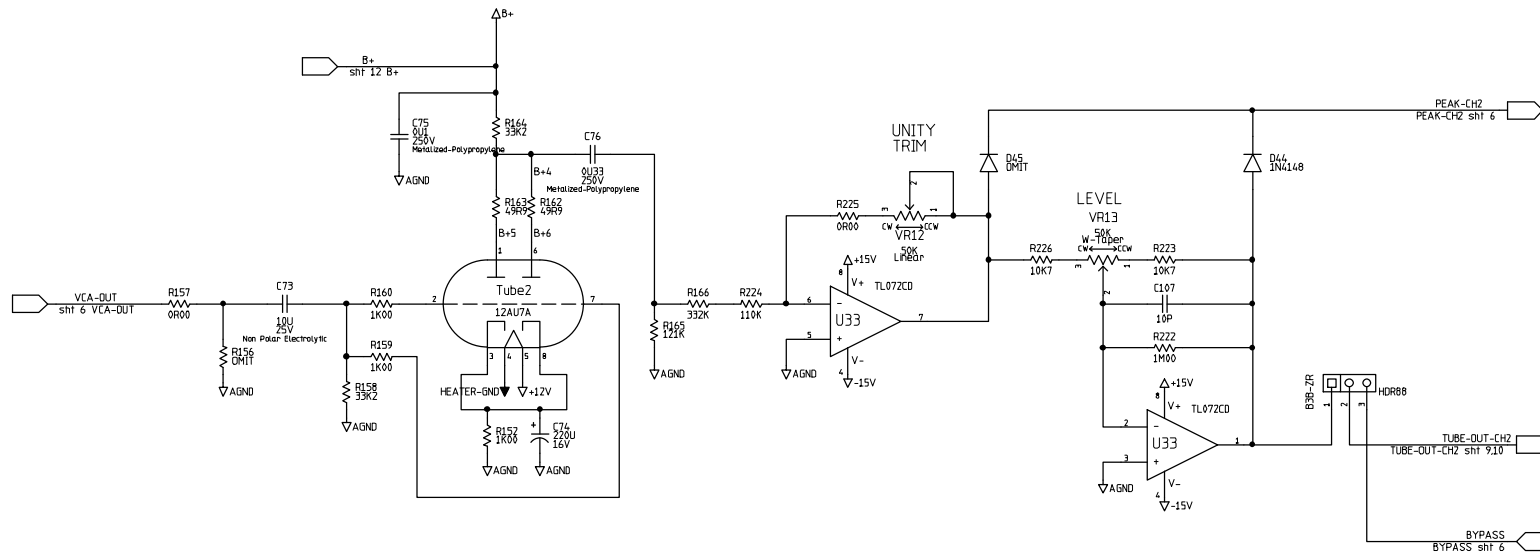
4

3

2

1

REVISIONS			
REV	DESCRIPTION	DATE	APPROVED



CONTRACT NO.		IVL Technologies Ltd.	
APPROVALS	DATE	dbx 576 Vacuum Tube Preamp/Compressor Tube Channel #2	
DRAWN		SIZE	FSCM NO.
CHECKED		DWG. NO.	REV
ISSUED		258-50	C
SCALE		SHEET	7 of 12

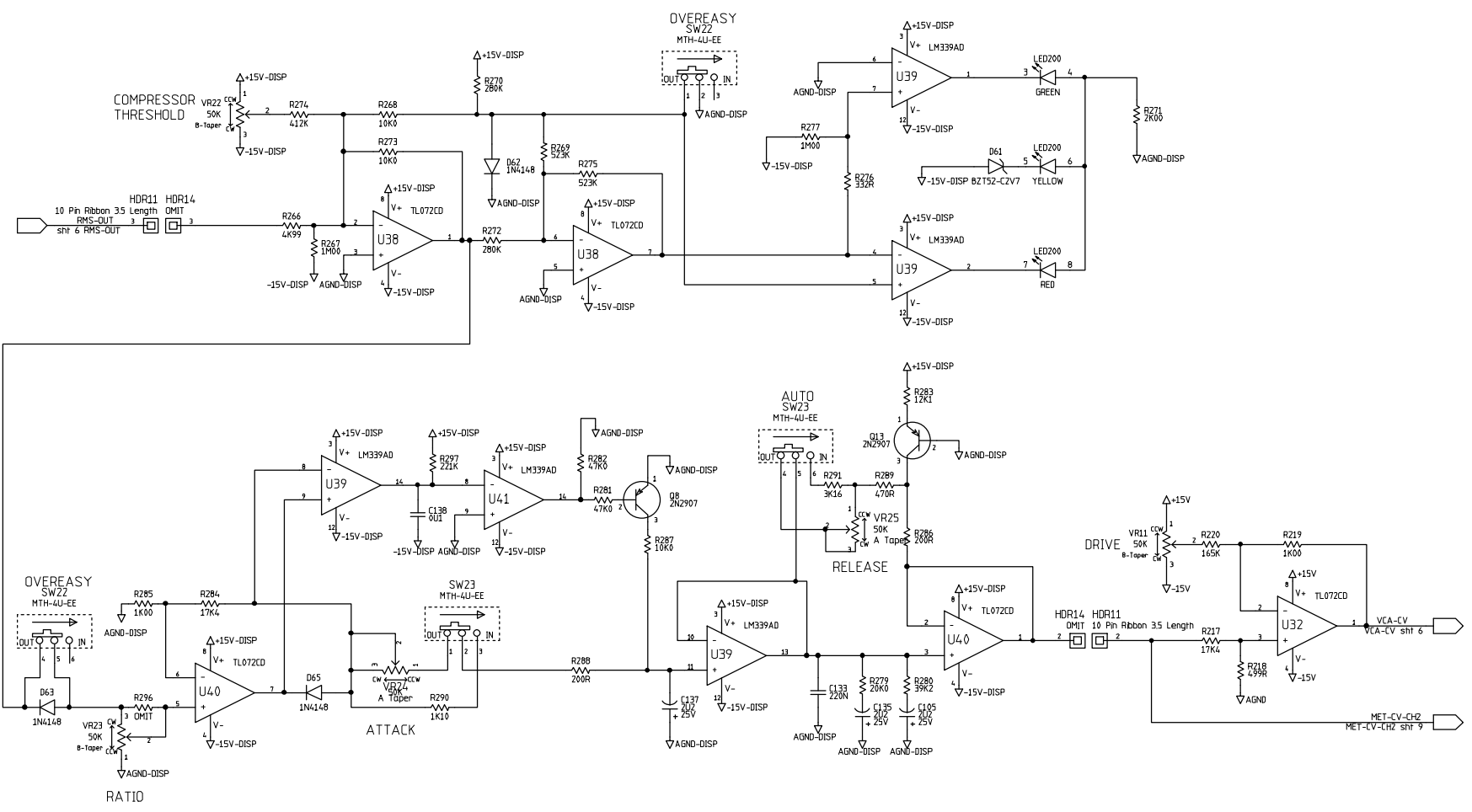
4

3

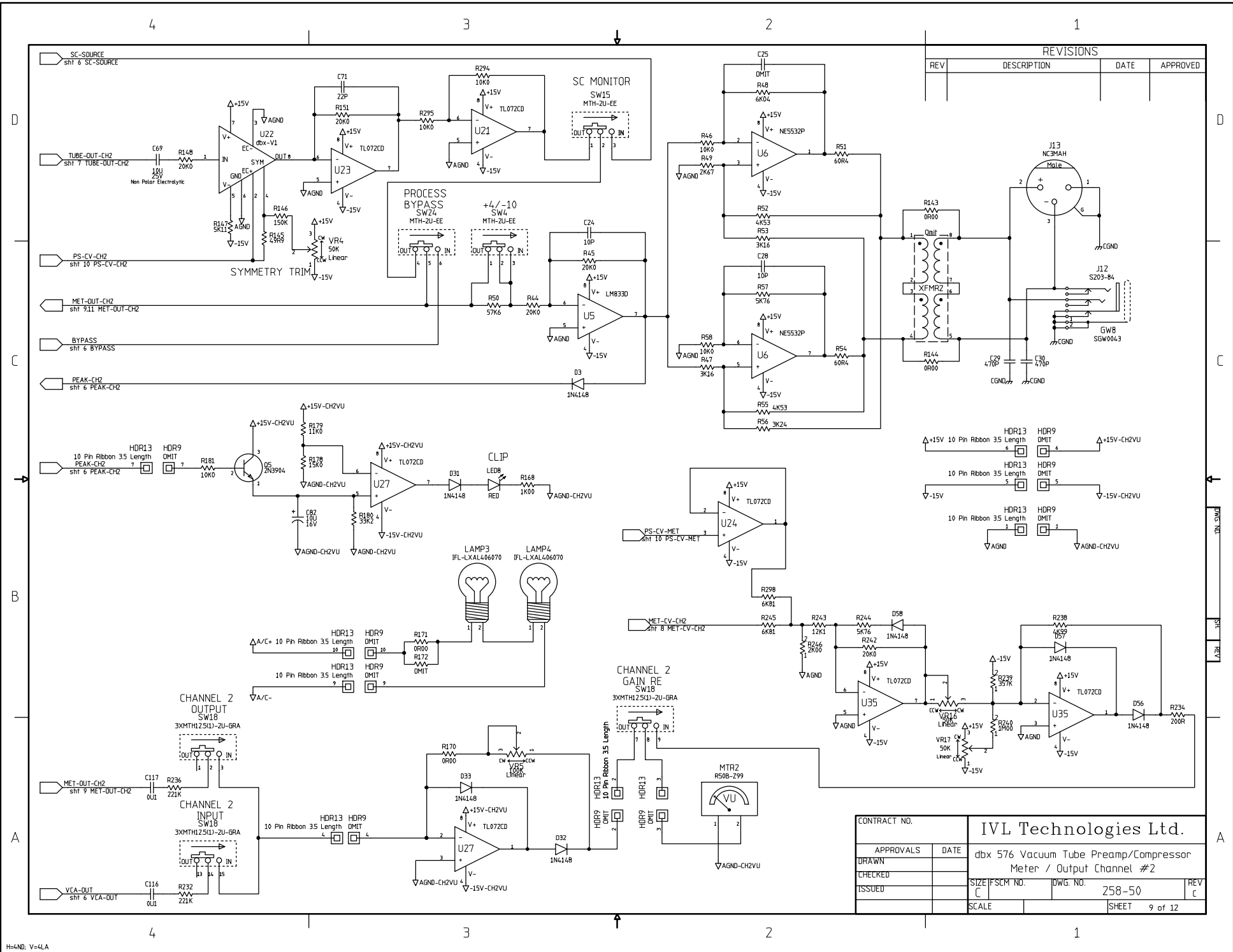
2

1

REVISIONS			
REV	DESCRIPTION	DATE	APPROVED



CONTRACT NO.		IVL Technologies Ltd.	
APPROVALS	DATE	dbx 576 Vacuum Tube Preamp/Compressor	
DRAWN		EQ Channel #2	
CHECKED		SIZE: FSCM NO.	DWG. NO. 258-50
ISSUED		C	REV C
SCALE		SHEET 8 of 12	



REVISIONS			
REV	DESCRIPTION	DATE	APPROVED

CONTRACT NO.		IVL Technologies Ltd.	
APPROVALS	DATE	dbx 576 Vacuum Tube Preamp/Compressor Meter / Output Channel #2	
DRAWN	CHECKED	SIZE/FSCM NO.	DWG. NO. 258-50
ISSUED		SCALE	SHEET 9 of 12

4

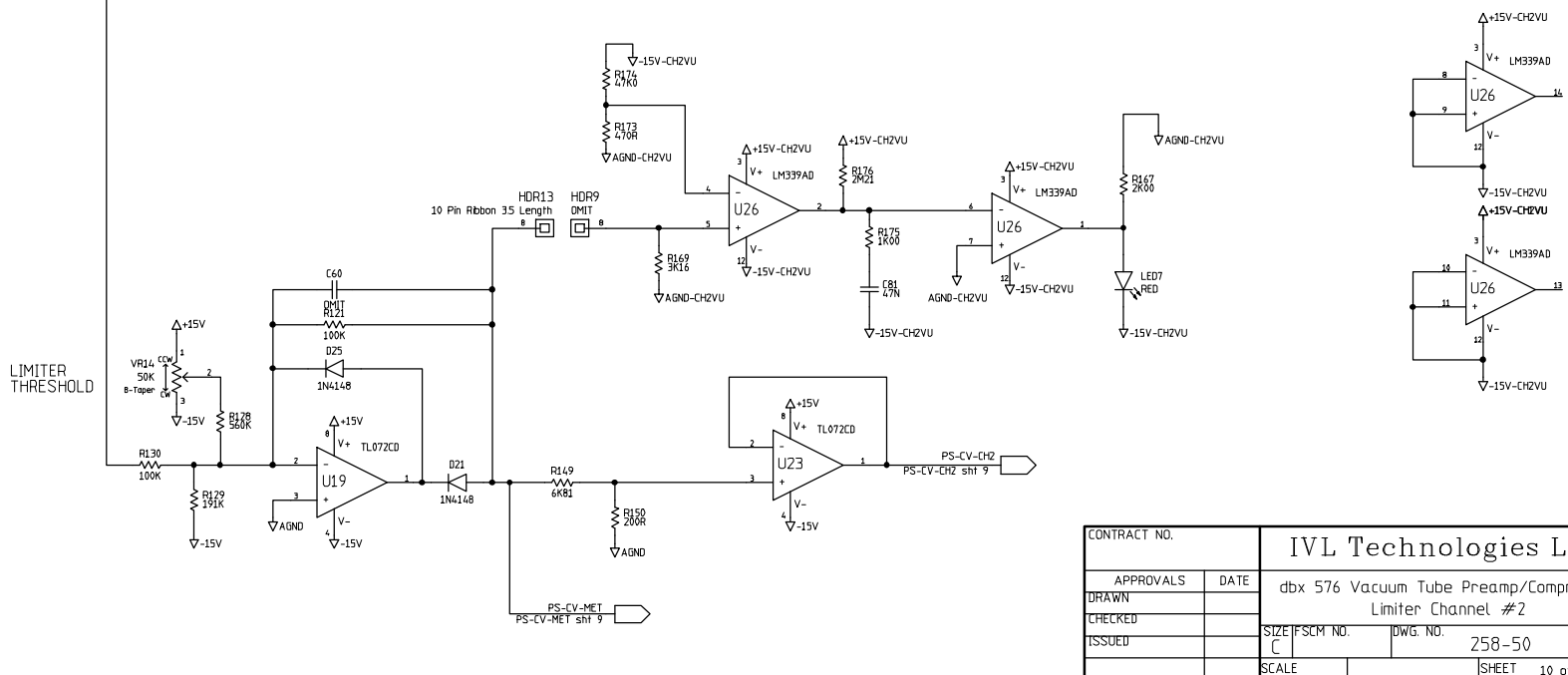
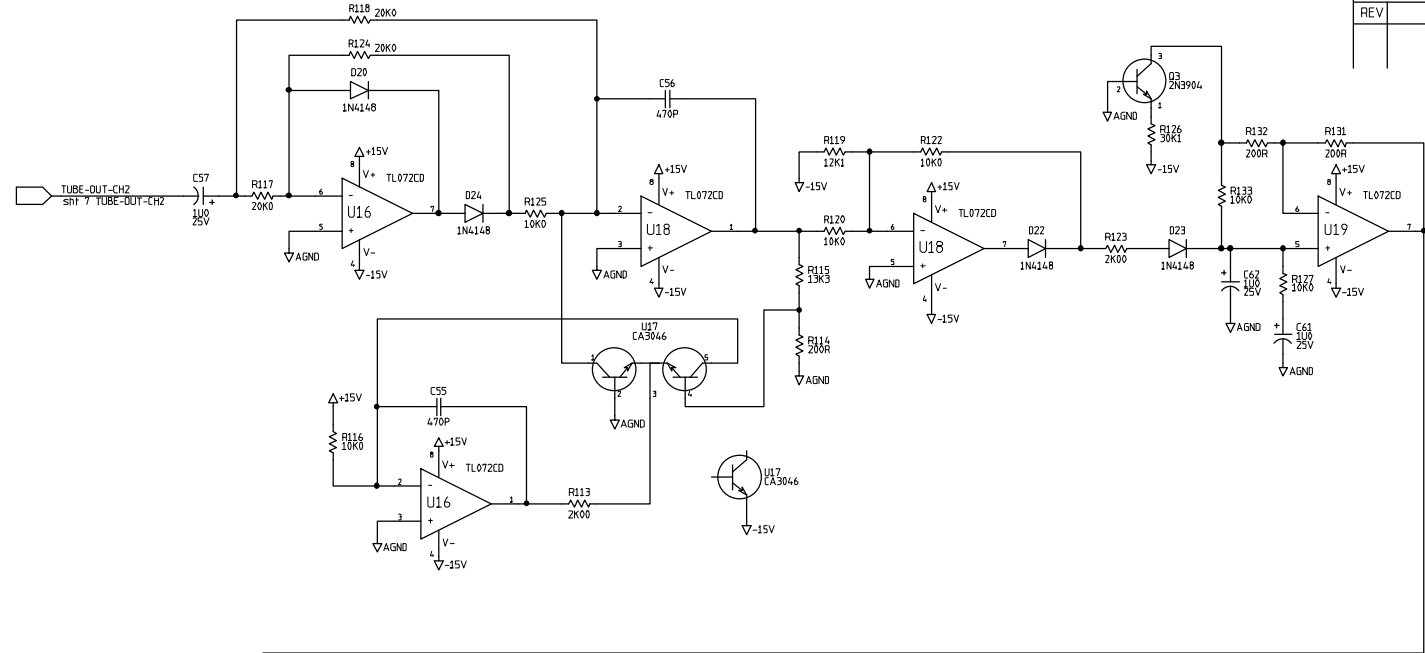
3

2

1

REVISIONS

REV	DESCRIPTION	DATE	APPROVED



CONTRACT NO.		IVL Technologies Ltd.	
APPROVALS	DATE	dbx 576 Vacuum Tube Preamp/Compressor	
DRAWN		Limiter Channel #2	
CHECKED		SIZE: C	FWM NO. 258-50
ISSUED		DWG. NO. 258-50	REV C
SCALE		SHEET 10 of 12	

D

C

B

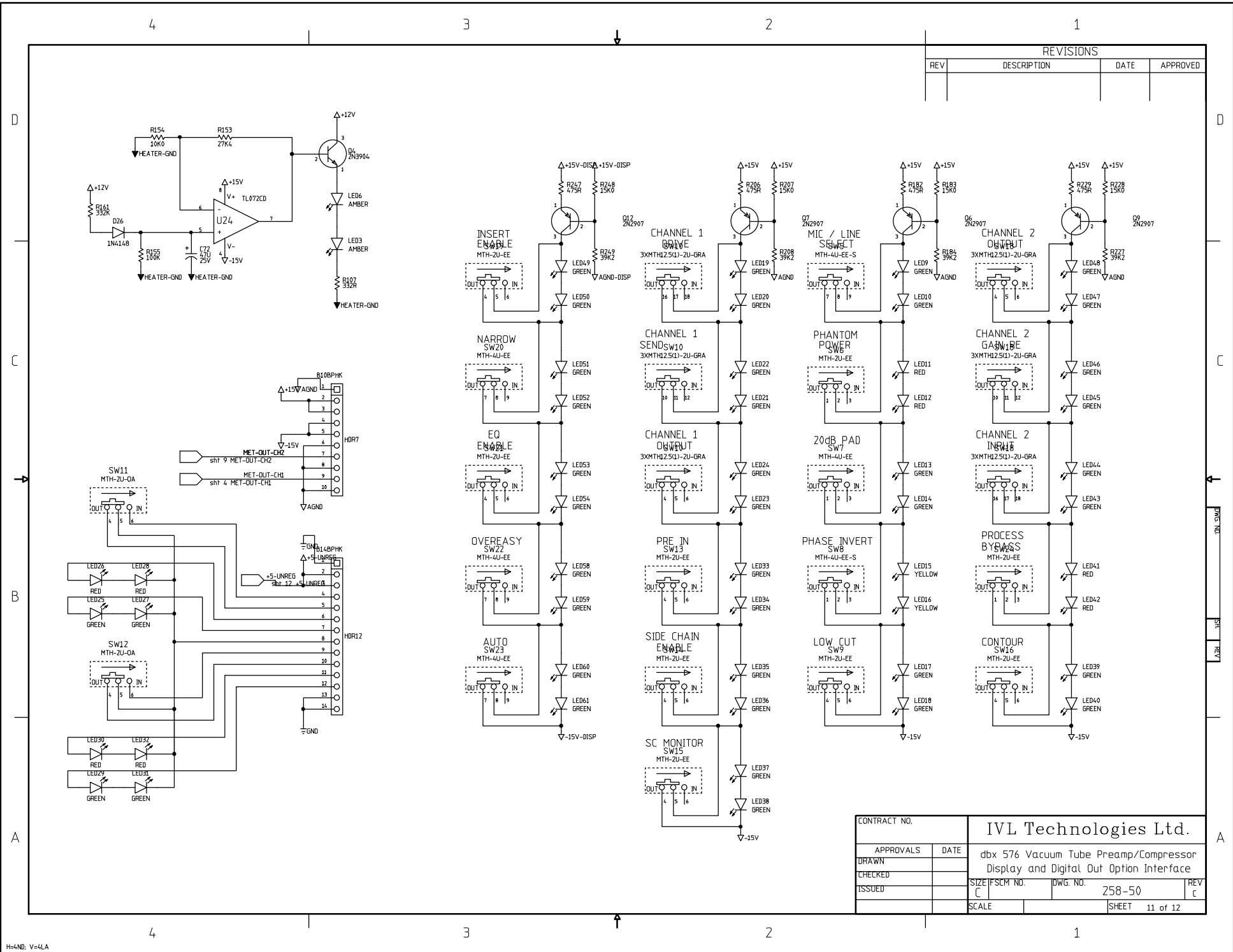
A

D

C

B

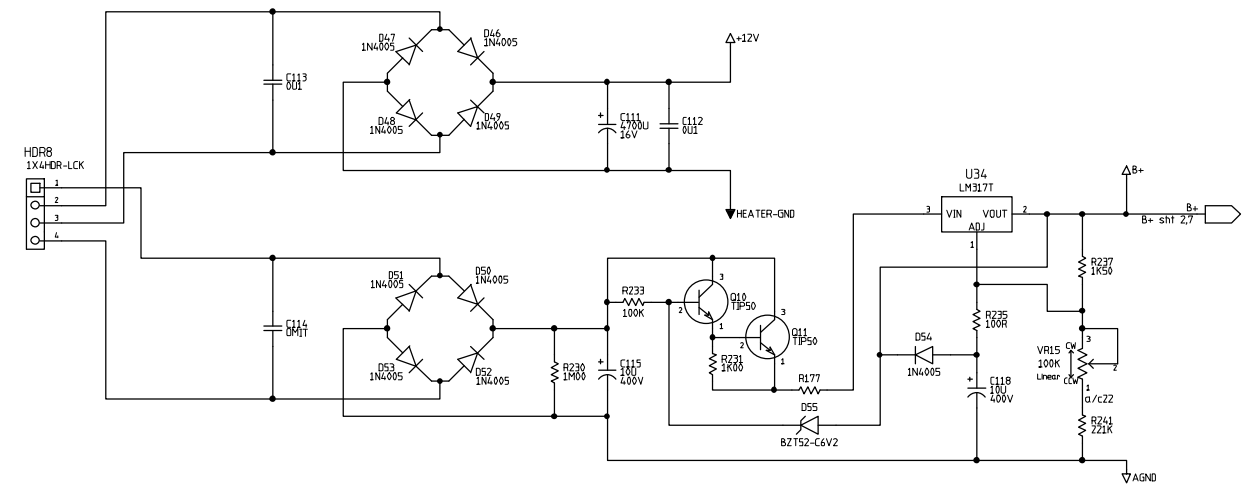
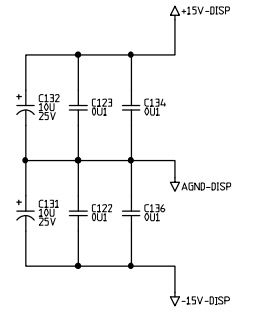
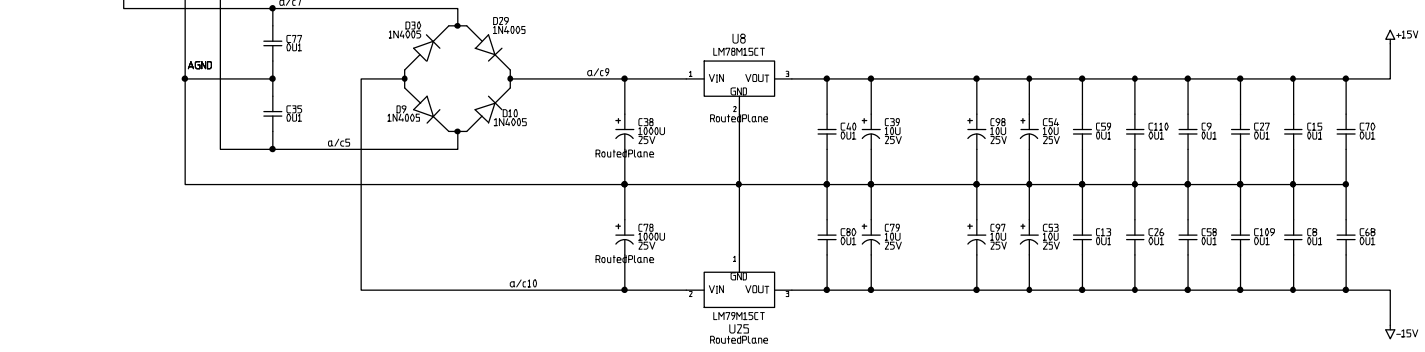
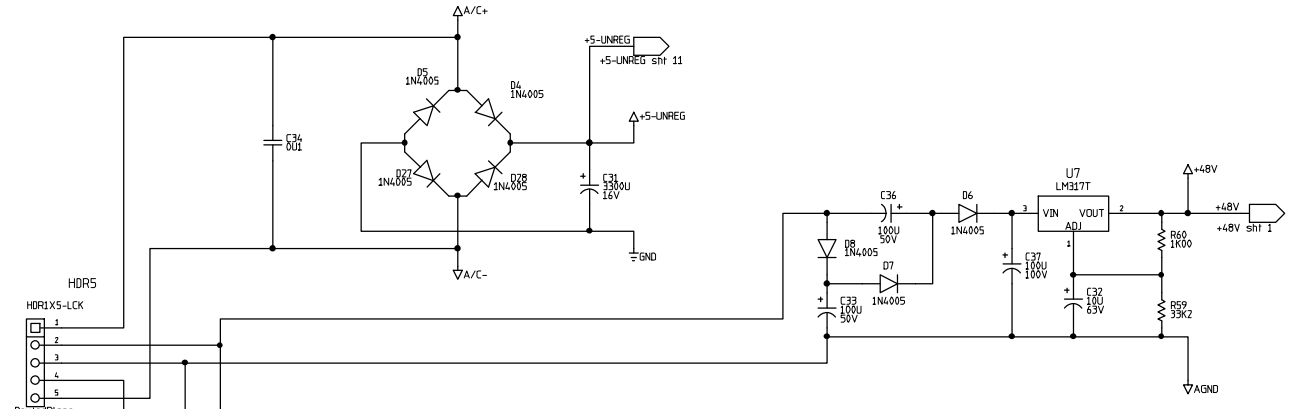
A



REVISIONS			
REV	DESCRIPTION	DATE	APPROVED

CONTRACT NO.		IVL Technologies Ltd.	
APPROVALS	DATE	dbx 576 Vacuum Tube Preamp/Compressor Display and Digital Out Option Interface	
DRAWN		SIZE	FSCM NO.
CHECKED		DWG. NO.	258-50
ISSUED		REV	C
SCALE		SHEET	11 of 12

REVISIONS			
REV	DESCRIPTION	DATE	APPROVED



CONTRACT NO.		IVL Technologies Ltd.	
APPROVALS	DATE	dbx 576 Vacuum Tube Preamp/Compressor Power Supply	
DRAWN		SIZE	FSCM NO.
CHECKED		DWG. NO.	258-50
ISSUED		SCALE	SHEET 12 of 12

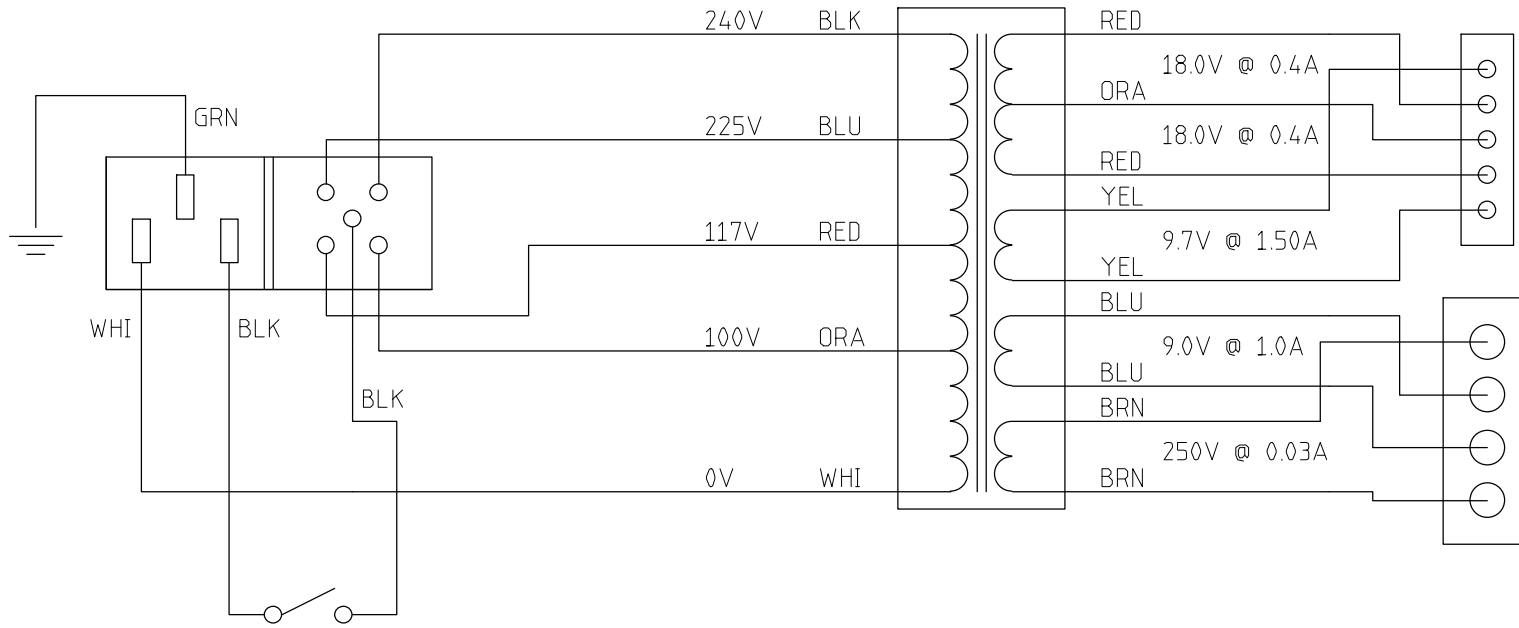
4

3

2

1

REVISIONS			
REV	DESCRIPTION	DATE	APPROVED



POWER SWITCH

100\117 VOLTS A\C INPUT FUSE = 500mA SLOW BLOW

225\240 VOLTS A\C INPUT FUSE = T250mA

CONTRACT NO.		IVL Technologies Ltd.	
APPROVALS	DATE	dbx 586 Vacuum Tube Preamp POWER WIRING DWG	
DRAWN		SIZE	FSCM NO.
CHECKED			DWG. NO. 254-50
ISSUED			REV B
		SCALE	SHEET 13 OF 13

4

3

2

1

Part #	Part Description	Qty. /	Level	Reference Number	Preferred Vendor	Manufacturer	Manu. Part #	dbx Part #	Dwg or Spec.
ACT0059	DBX LIGHT PIPE BUTTON	23.00	04		JETCROWN INDUSTRIAL LTD	JETCROWN	34-0200-B	34-0200-B	YES
ACT0060	SMALL SWITCH CAPS DBX	4.00	04		DBX PROFESSIONAL PRODUCTS	SELCO	PB04/51/00	34-0125	
ACT0067	DBX 500 SERIES KNOB	14.00	04		TAIWAN KNOBS	TAIWAN KNOBS	34-0168-A	34-0168-A	YES
BAG0001	2X3 INCH POLY WITH ZIPLOCK	1.00	01		VANISLE PACKAGING INC.			use 3x5	
BAG0012	15X24 2-MIL POLY BAG	1.00	01		CHISWICK			22-0034	
BOX0024	DBX 586 UNIT CARTON	1.00	01		BC SHIPPER SUPPLIES LTD.	BC SHIPPER SUPPLIES LTD.	254-27-B	20-6330	YES
CPS0001	0U1 50V 10% C0805 MONO CER	33.00	13	C100 C102 C109 C11 C110 C112 C113 C116 C117 C122 C123 C13 C134 C136 C138 C15 C26 C27 C34 C35 C40 C58 C59 C64 C68 C70 C77 C8 C80 C85 C89 C9 C99	S-P INTERNATIONAL LTD.	KEMET	C0805C104K5RAC	62-3139	
CPS0002	10N0 50V 10% C0805 MONO CER	2.00	13	C92 C93	S-P INTERNATIONAL LTD.	SANYO-CAP	U0805R103KNT	62-3142	
CPS0004	22P 50V 10% C0805 MONO CER	4.00	13	C104 C12 C120 C71	S-P INTERNATIONAL LTD.	SANYO-CAP	U0805C220KNT	62-3134	
CPS0005	2N2 50V 10% C0805 MONO CER	1.00	13	C124	S-P INTERNATIONAL LTD.	SANYO-CAP	U0805R222KNT	62-3206	
CPS0023	150N 1206	1.00	13	C67	S-P INTERNATIONAL LTD.	SANYO-CAP	U1206F154MNT	62-3208	
CPS0024	220N 1206	1.00	13	C133	ELECTROSONIC INC.	KEMET	C1206C224M5RAC-TR	62-3209	
CPS0026	100pF 50V 10% C0805 MONO CER	2.00	13	C83 C88	S-P INTERNATIONAL LTD.	SANYO-CAP	U0805C101KNT	62-3503	
CPS0032	10P 50V 10% C0805 MONO CER	12.00	13	C10 C107 C126 C14 C19 C22 C23 C24 C28 C6 C7 C96	S-P INTERNATIONAL LTD.	SANYO-CAP	U0805C100KNT	62-3140	
CPS0033	470P 50V 10% C0805 MONO CER	13.00	13	C1 C16 C18 C2 C29 C3 C30 C4 C46 C47 C5 C55 C56	S-P INTERNATIONAL LTD.	SANYO-CAP	U0805C471KNT	62-3133	
CPS0034	47N 50V 10% C0805 MONO CER	4.00	13	C101 C41 C63 C81	S-P INTERNATIONAL LTD.	SANYO-CAP	U0805R473KNT	62-3144	
CPS0035	47P 50V 10% C0805 MONO CER	2.00	13	C20 C21	S-P INTERNATIONAL LTD.	SANYO-CAP	U0805C470KNT	62-3132	
CPS0036	4N7 50V 10% C0805 MONO CER	3.00	13	C127 C130 C65	S-P INTERNATIONAL LTD.	SANYO-CAP	U0805R472KNT	62-3205	
CPS0040	330N 1206	2.00	13	C106 C66	S-P INTERNATIONAL LTD.	SANYO-CAP	U1206F334MNT	62-3210	
CPS0044	270N 10% 50V 1206 SMD	2.00	13	C94 C95	S-P INTERNATIONAL LTD.	SANYO-CAP	U1206F274MNT	62-3204	
CPS0045	220PF 50V 10% C0805 MONO CER	1.00	13	C84	S-P INTERNATIONAL LTD.	SANYO-CAP	U0805C221JNT	62-3138	
CPS0046	39NF 50V 10% C0805 MONO CER	2.00	13	C119 C121	S-P INTERNATIONAL LTD.	SANYO-CAP	U0805R393KNT	62-3604	
CPS0047	27NF 50V 10% C0805 MONO CER	2.00	13	C128 C129	S-P INTERNATIONAL LTD.	SANYO-CAP	U0805R273KNT	62-3203	
CPT0002	BIPOLAR 10 uF 25V +/-20% ELEC RADIAL	6.00	12	C103 C125 C45 C52 C69 C73	S-P INTERNATIONAL LTD.	PAN OVERSEAS	33SNR10UF25V	60-1043	
CPT0027	10uF 16V ±20% ELEC RADIAL	2.00	12	C42 C82	S-P INTERNATIONAL LTD.	PAN OVERSEAS			
CPT0028	220 uF 16V +/-20% ELEC RADIAL	2.00	12	C44 C74	S-P INTERNATIONAL LTD.	PAN OVERSEAS	SKR220UF16V	60-0075	
CPT0029	10 UF 16V 4mm X 5mm	1.00	12		S-P INTERNATIONAL LTD.	PAN OVERSEAS		60-0049-01	
CPT0031	100 uF 100V +/-20% ELEC LDSP.2	2.00	05	C37 C87	S-P INTERNATIONAL LTD.	PAN OVERSEAS		60-0405	
CPT0032	100 uF 50V +/-20% ELEC RADIAL	4.00	05	C33 C36 C90 C91	S-P INTERNATIONAL LTD.	PAN OVERSEAS	SKR100UF50V	60-1013	
CPT0033	10 uF 25V +/-20% ELEC RADIAL	8.00	12	C131 C132 C39 C53 C54 C79 C97 C98	S-P INTERNATIONAL LTD.	PAN OVERSEAS	SKR10UF25V	60-0050-01	
CPT0034	10 uF 63V +/-20% ELEC LDSP.1	1.00	12	C32	S-P INTERNATIONAL LTD.	PAN OVERSEAS		60-0320	
CPT0035	10UF 400V +/-20% ELEC RADIAL 105 C	2.00	05	C115 C118	S-P INTERNATIONAL LTD.	PAN OVERSEAS	HKR10UF400V	60-0081	
CPT0036	1000 uF 25V +/-20% ELEC RADIAL	2.00	05	C38 C78	S-P INTERNATIONAL LTD.	PAN OVERSEAS	SKR1000UF25V	60-0070	
CPT0037	1.0 uF 25V +/-20% ELEC RADIAL	7.00	12	C108 C43 C48 C51 C57 C61 C62	S-P INTERNATIONAL LTD.	PAN OVERSEAS	SKR1UF50V	60-0044-01	
CPT0038	2.2UF 25V +/-20% 5mm	3.00	12	C105 C135 C137	S-P INTERNATIONAL LTD.	PAN OVERSEAS	SKR2.2UF25V	60-0400	
CPT0039	3300 uF 16V +/-20% ELEC RADIAL	1.00	05	C31	S-P INTERNATIONAL LTD.	PAN OVERSEAS	SKR3300UF16V	62-3202	
CPT0040	4700 uF 16V +/-20% ELEC RADIAL	1.00	05	C111	S-P INTERNATIONAL LTD.	PAN OVERSEAS	SKR4700UF16V	60-0062	
CPT0042	0.1UF 250V 10mm LEAD SPACING	2.00	05	C49 C75	SHANNON ELECTRONICS	ILLINOIS CAPACITOR	104MPR250K	62-3201	
CPT0043	0.33UF 250V MYLAR POLY RADIAL	2.00	05	C50 C76	SHANNON ELECTRONICS	ILLINOIS CAPACITOR	334MPR 250K	62-3200	
CPT0073	47 uF 25VOLT 5mm POLAR CAP	1.00	12	C72	S-P INTERNATIONAL LTD.	PAN OVERSEAS	SKR47UF25V	60-0082	
CPT0077	2200UF 10V ELEC RADIAL	1.00	05	C86	S-P INTERNATIONAL LTD.	PAN OVERSEAS		60-0091	

				D1 D11 D12 D13 D14 D15 D16 D17 D18 D19 D20 D21 D22 D23 D24 D25 D26 D3 D31 D32 D33 D34 D35 D36 D37 D38 D39 D40 D41 D42 D43 D44 D56 D57 D58 D59 D60 D62 D63 D65						
DDS0001	SMD DIODE 1N4148 SOT23	40.00	13		S-P INTERNATIONAL LTD.	MOTOROLA	1N4148SOT23	70-0113		
DDS0003	POWER DIODE A SIZE SMT	20.00	13	D10 D27 D28 D29 D30 D4 D46 D47 D48 D49 D50 D51 D52 D53 D54 D6 D7 D8 D9	ELECTROSONIC INC.	DIODES INC.	S1G	70-3203		
DDS0004	BZT52-C2V7 2.5-2.9	1.00	13	D61	ELECTROSONIC INC.	DIODES INC.	BZT52-C2V7	70-0022		
DDS0005	BZT52-C6V2 5.8-6.6	1.00	13	D55	ELECTROSONIC INC.	DIODES INC.	BZT52-C6V2	70-0021		
FST0002	1/8 SOFT-SET POP RIVET ALUM	2.00	05		LANCE BISSETT LTD.			28-3417		
FST0003	FLAT TIE HOLDER: ADHESIVE BACK	1.00	04		GOULD FASTENERS LIMITED	RICHCO	FTH-5A-RT (100)	28-1044	YES	
FST0004	3 1/2 TIE WRAP BLACK	3.00	04		ELECTROSONIC INC.	PANDUIT	PLT1M-M			
FUS0007	500 mA SLO BLOW FUSE FOR DOMESTIC USE	1.00	04		ELECTROSONIC INC.	BUSSMAN	GMD-500MA	32-0025		
HDT0011	10 PIN INSULATED MALE HEADER	1.00	05	HDR7	BROCKTON ELECTRONICS LTD.	JST	B10B-PH-K	32-1016	YES	
HDT0018	1 X 4 HEADER 0.2 SPACING	1.00	05	HDR8	PIONEER	MOLEX	10-32-1041	32-1047	YES	
HDT0042	5-PIN MALE LOCKING HEADER	1.00	05	HDR5	FUTURE ELECTRONICS LTD.	MOLEX	22-27-2051	32-1071	YES	
HDT0043	0 OHM JUMPER FOR TERMINAL STRP	1.00	05		PACIFIC COAST ELECTRONICS LTD.			32-1075		
HDT0047	14 PIN 2MM HEADER	1.00	05	HDR1	BROCKTON ELECTRONICS LTD.	JST	B14B-PH-K	32-1015	YES	
HDT0053	3 PIN STRAIGHT MALE HEADER 1X3	1.00	05	HDR8	PACIFIC COAST ELECTRONICS LTD.			32-1069		
HRN0003	#6 RING YEL/GRN 1.9 WIRE	1.00	04		HITECH	HITECH	008-03-B	36-1140-A	YES	
HRN0027	3" WIRE WITH CRIMP ON (V3)	2.00	04		BROCKTON ELECTRONICS LTD.	BROCKTON	170.2431	32-2065	YES	
HRN0033	US/JA/THAI POWER CORD	1.00	01		DBX PROFESSIONAL PRODUCTS	DBX PROFESSIONAL PRODUCTS	36-0061	36-0061	YES	
HRN0037	10 PIN RIBBON 3.5" 0.1" SPACING	3.00	05	HDR1 HDR6 HDR9	ELECTRONIC COMPONENTS INT'L	ELECTRONIC COMPONENTS INT'L	254-30-A	32-3214	YES	
HRN0038	10 PIN RIBBON 2" 0.1" SPACING	2.00	05	HDR1 HDR2 HDR3 HDR4	ELECTRONIC COMPONENTS INT'L	ELECTRONIC COMPONENTS INT'L	254-31-A	32-3215	YES	
ICS0033	LM339AD QUAD COMPARATOR	4.00	13	U26 U39 U41 U9	ARROW ELECTRONICS INC.	SGS	LM339D	72-4034		
ICS0034	LM833 LOW NOISE OP-AMP SMD	3.00	13	U1 U15 U5	ARROW ELECTRONICS INC.	SGS	LM833D	72-3201		
ICS0035	TL072 DUAL JFET OPAMP SMD (T.O.R.)	21.00	13	U10 U11 U13 U14 U16 U18 U19 U21 U23 U24 U27 U29 U3 U30 U32 U33 U35 U36 U37 U38 U40	ARROW ELECTRONICS INC.	TEXAS INST.	TLO72CDR	72-3200		
ICS0066	CA3046M TRANSISTOR ARRAY	2.00	12	U12, U17	ARROW ELECTRONICS INC.	HARRIS	3046	72-4331		
ICT0075	SELF CONTAINED AUDIO PREAMP	1.00	12	U28	PIONEER	PMI	SSM2017P	70-4250		
ICT0091	7815 +15V 3 TERM FIXED REGULATOR	1.00	05	U8	ARROW ELECTRONICS INC.	SGS	L7815CV	70-4123		
ICT0096	7915 -15V 3 TERM FIXED REGULATOR	1.00	05	U25	ARROW ELECTRONICS INC.	SGS	L7915CV	70-4124		
ICT0097	LM317 ADJUSTABLE REGULATOR	2.00	05	U34 U7	ARROW ELECTRONICS INC.	NATIONAL	LM317T	70-4007		
ICT0125	DBX CUSTOM (THAT 2252)	1.00	05	U20	DBX PROFESSIONAL PRODUCTS	DBX	72-4067	72-4067		
ICT0130	NE5532 OPAMP	2.00	12	U4 U6	ELECTROSONIC INC.	NJR	NJM5532D	72-4316		
ICT0131	DBX V1 CHIP	3.00	05	U2 U22 U31	DBX PROFESSIONAL PRODUCTS	DBX	72-4062	72-4062		
JCK0025	NEUTRIK FEM HOR LCK SEP GND	3.00	05	J1 J10 J6	SF MARKETING	NEUTRIK	NC3FAH2	32-0206	YES	
JCK0028	NEUTRIK MALE HOR XLR	2.00	05	J13 J9	SF MARKETING	NEUTRIK	NC3MAH	32-0204	YES	
JCK0030	DBX JACK	8.00	05	J11 J12 J2 J3 J4 J5 J7 J8	SF MARKETING	REAN / NEUTRIK	NRJ 6HF	32-0119		
LBL0013	CE LABEL	0.00			GM NAMEPLATE	GM NAMEPLATE	PLX-CE LABEL-A	?????	YES	
LBL0014	CSA STICKER	0.00			GM NAMEPLATE	GM NAMEPLATE	PLX-CSA-B	?????	YES	
LBL0015	DATE CODE STICKER FOR CSA	0.00			GM NAMEPLATE	GM NAMEPLATE	LBL0015	30-0080	YES	
LBL0017	SAFETY GROUND LABEL	1.00	04		GM NAMEPLATE	GM NAMEPLATE	PLX-GND LABEL-B	30-0709	YES	
LBL0018	IVL SERIAL NUMBER STICKER	0.00			GM NAMEPLATE	GM NAMEPLATE	MPC-SERIAL NUM	??????	YES	
LDS0001	GREEN LED 603 SMT	2.00	13	LED100 LED101	SEMAD	ROHM	SML-310MTT86	70-3205		
LDS0002	RED LED 603 SMT	4.00	13	LED28 LED26 LED30 LED32	SEMAD	ROHM	SML-310VTT86	70-3204		

LDT0002	GREEN T1 PREPPED 6mm	40.00	12	LED49 LED50 LED51 LED52 LED53 LED54 LED58 LED59 LED9 LED10 LED13 LED14 LED17 LED18 LED19 LED20 LED21 LED22 LED23 LED24 LED25 LED27 LED29 LED31 LED33 LED34 LED35 LED36 LED37 LED38 LED39 LED43 LED44 LED45 LED46 LED47 LED48 LED40 LED6 LED60	EMX ENTERPRISES LTD.	KINGBRIGHT	LA132XGD00	70-2114	YES
LDT0003	RED T1 PREPPED 6mm	8.00	12	LED11 LED12 LED1 LED2 LED41 LED42 LED7 LED8	EMX ENTERPRISES LTD.	KINGBRIGHT	LA132XIDOO	70-2113	YES
LDT0004	YELLOW T1 PREPPED 6mm	2.00	12	LED15 LED16	EMX ENTERPRISES LTD.	KINGBRIGHT	LA132XYD00	70-2115	YES
LDT0006	RED T1 LED	4.00	05		EMX ENTERPRISES LTD.	KINGBRIGHT	L132 XID	70-5062	YES
LDT0009	AMBER T1 LED	2.00	12	LED3 LED6	SEMAD	SHARP	GL3HY8	70-3202	
LDT0010	QUAD VERT LED RD,YEL,GRN,BLNK	1.00	05	LED200	EMX ENTERPRISES LTD.	KINGBRIGHT	L96XDM/4	70-3206	YES
LMP0002	1-1 1/4 6V AXIAL LAMP	4.00	05		UTECH ELECTRONICS	LUMEX	IFL-LXAL406070	28-3254	
MTL0048	CUSTOM TOP/HEATSINK	1.00	05		TARA PRECISION TOOL	TARA PRECISION TOOL	011-03	17-3201	YES
MTL0072E	DBX 1086 OPTION COVER REV E	1.00	04		WESGAR INDUSTRIES	WESGAR INDUSTRIES	248-04-E	10-1470	YES
MTL0086-C	DBX 500 SERIES CASE LID	1.00	04		BOWMAN MANUFACTURING CO.	BOWMAN MANUFACTURING CO.	254-04	14-6333	YES
MTL0087	RACK HANDLES DBX 500 SERIES	2.00	04		PACIFIC COAST ELECTRONICS LTD.	RAF	8106-632-A-22	28-3205	YES
MTL0096-B	DBX 576 RECESS PLATE	1.00	04		BOWMAN MANUFACTURING CO.	BOWMAN MANUFACTURING CO.	258-01	14-6303	YES
MTL0097-C	DBX 576 FACEPLATE FRAME	1.00	04		BOWMAN MANUFACTURING CO.	BOWMAN MANUFACTURING CO.	258-02	14-6337-A	YES
MTL0098-E	DBX 576 CASE BOTTOM/CHASSIS	1.00	04		BOWMAN MANUFACTURING CO.	BOWMAN MANUFACTURING CO.	258-03	14-6309-A	YES
MTL0102-A	HEATSINK FOR SILVER SERIES	1.00	05		TARA PRECISION TOOL	TARA PRECISION TOOL	258-12 REV.A	14-3200	YES
MTR0003	LARGE DBX METER MOVEMENT	2.00	04	MTR1 MTR2	ANDERS ELECTRONICS PLC	ANDERS ELECTRON	R50B/Z99	26-0120-A	
NUT0001	PLASTIC NUT 1/4 PHONE JACKS	8.00	04		REAN	COMES WITH JCK0030		28-0220	
NUT0003	#6-32 X 1/4 HEX KEPS NUT ZINC	10.00	04		GOULD FASTENERS LIMITED			28-3309	
NUT0013	POT NUT DBX	14.00	04		DBX PROFESSIONAL PRODUCTS	DBX	28-3323	28-3323	
PCB0051-B	DBX 576 PWB	1.00	13		CORETEC			80-6337-A	
PEM0002	100-240V POWER ENTRY FUSED	1.00	04		POWER DYNAMICS INC.	POWER DYNAMICS	42R34-3121-127F4	32-0056-C	YES
PKG0008	FOAM ENDCAPS FOR DBX SILVER SERIES	2.00	01		ALL FOAM INDUSTRIES	ALL FOAM INDUSTRIES	254-09	22-6336-A	YES
PLS0016	DBX BUTTON BEZEL	16.00	04		JETCROWN INDUSTRIAL LTD	JETCROWN	24-1060-A	24-1060-A	YES
PLS0019	LARGE DBX METER SHROUD	2.00	04		DBX PROFESSIONAL PRODUCTS	DBX	24-1000-A	24-1000-A	
POT0021	PT10V 100K VERTICAL ADJUST	3.00	04	VR15 VR2 VR5	S-P INTERNATIONAL LTD.	PIHER	PT10LV10-00283	42-0211	
POT0026	5K C5 TAPER	1.00	04	VR6	DBX PROFESSIONAL PRODUCTS	DBX	40-2131	40-2132	YES
POT0028	50K B TAPER	5.00	04	VR11 VR14 VR22 VR23 VR9	ELECTRONIC COMPONENTS INT'L	ALPHA	RV16A-B50K-41	40-2138	
POT0031	50K TRIM POT VIRTICAL ADJ	8.00	04	VR1 VR10 VR12 VR16 VR17 VR3 VR4 VR8	S-P INTERNATIONAL LTD.	PIHER	10LV10-503A2020	42-0222	
POT0034	50K W TAPER 41 CLICK SINGLE	5.00	04	VR13 VR18 VR19 VR20 VR7	A/D ELECTRONICS INC.	A/D ELECTRONICS	16K14115FW50K	40-2156	YES
POT0035	50K C10 TAPER 41 CLICK DUAL	1.00	04	VR21	A/D ELECTRONICS INC.	A/D ELECTRONICS	16T14115F10C50K	40-2127	YES
POT0039	50K A TAPER 41 POSITION DETENT D SHAFT	2.00	04	VR24 VR25	DBX PROFESSIONAL PRODUCTS	DBX-U	40-2136	40-2136	YES
RSS0001	100R 1% 805 SMD	1.00	13	R235	S-P INTERNATIONAL LTD.	SANNOHM	RC05-100RFR	52-3235	
RSS0002	10K0 1% 805 SMD	35.00	13	R100 R105 R116 R120 R122 R125 R127 R133 R154 R181 R25 R250 R251 R252 R253 R254 R261 R263 R268 R273 R287 R294 R295 R34 R36 R37 R38 R39 R46 R58 R74 R76 R80 R90 R93	S-P INTERNATIONAL LTD.	SANNOHM	RC05-10K0FR	52-4500	
RSS0003	12K1 1% 805 SMD	5.00	13	R119 R198 R243 R283 R89	S-P INTERNATIONAL LTD.	SANNOHM	RC05-12K1FR	52-3234	
RSS0005	15K0 1% 805 SMD	7.00	13	R178 R183 R207 R228 R248 R264 R71	S-P INTERNATIONAL LTD.	SANNOHM	RC05-15K0FR	52-3233	
RSS0006	17K4 1% 805 SMD	3.00	13	R211 R217 R284	S-P INTERNATIONAL LTD.	SANNOHM	RC05-17K4FR	52-3237	

RSS0007	1K00 1% 805 SMD	19.00	13	R10 R12 R152 R159 R16 R160 R168 R175 R219 R231 R285 R3 R4 R60 R62 R69 R75 R87 R88	S-P INTERNATIONAL LTD.	SANNOHM	RC05-1K00FR	52-4505	
RSS0008	1M00 1% 805 SMD	6.00	13	R201 R222 R230 R240 R267 R277	S-P INTERNATIONAL LTD.	SANNOHM	RC05-1M00FR	52-1004	
RSS0010	39K2 1% 805 SMD	5.00	13	R184 R208 R227 R249 R280	S-P INTERNATIONAL LTD.	SANNOHM	RC05-39K2FR	52-4531	
RSS0037	0R00 1% 805 SMD	12.00	13	R111 R112 R143 R144 R157 R170 R171 R204 R225 R64 R66 R85	S-P INTERNATIONAL LTD.	SANNOHM	RC05-000JR	50-1531	
RSS0047	0R0 5% 1/8W 1206 SMD	1.00	13	R293	S-P INTERNATIONAL LTD.	SANNOHM		52-3236	
RSS0086	332R 1% 805 SMD	2.00	13	R107 R276	S-P INTERNATIONAL LTD.	SANNOHM	RC05-332RFR	52-3232	
RSS0087	475R 1% 805 SMD	4.00	13	R182 R206 R229 R247	S-P INTERNATIONAL LTD.	SANNOHM	RC05-475RFR	52-3231	
RSS0093	2K21 1% 805 SMD	2.00	13	R185 R188	S-P INTERNATIONAL LTD.	SANNOHM	RC05-2K21FR	52-3230	
RSS0096	100K 1% 805 SMD	6.00	13	R102 R121 R130 R155 R258 R95	S-P INTERNATIONAL LTD.	SANNOHM	RC05-100KFR	52-1010	
RSS0097	10M0 1% 805 SMD	1.00	13	R142	S-P INTERNATIONAL LTD.	SANNOHM		52-3238	
RSS0098	11K0 1% 805 SMD	2.00	13	R179 R72	S-P INTERNATIONAL LTD.	SANNOHM	RC05-11K0FR	52-3229	
RSS0099	121K 1% 805 SMD	2.00	13	R108 R165	S-P INTERNATIONAL LTD.	SANNOHM	RC05-121KFR	52-3228	
RSS0101	13K3 1% 805 SMD	2.00	13	R115 R83	S-P INTERNATIONAL LTD.	SANNOHM	RC05-13K3FR	52-3227	
RSS0102	150K 1% 805 SMD	3.00	13	R146 R18 R214	S-P INTERNATIONAL LTD.	SANNOHM	RC05-100KFR	52-3226	
RSS0104	169R 1% 805 SMD	1.00	13	R196	S-P INTERNATIONAL LTD.	SANNOHM		52-3225	
RSS0107	1M54 1% 805 SMD	1.00	13	R140	S-P INTERNATIONAL LTD.	SANNOHM	RC05-1M54FR	52-3239	
RSS0108	200R 1% 805 SMD	12.00	13	R103 R104 R114 R131 R132 R150 R192 R234 R286 R288 R82 R98	S-P INTERNATIONAL LTD.	SANNOHM	RC05-200RFR	52-3224	
RSS0109	20K0 1% 805 SMD	24.00	13	R110 R117 R118 R124 R148 R151 R20 R213 R22 R221 R23 R242 R279 R40 R42 R44 R45 R5 R6 R7 R78 R79 R8 R81	S-P INTERNATIONAL LTD.	SANNOHM	RC05-20K0FR	52-4501	
RSS0110	20R0 1% 805 SMD	1.00	13	R134	S-P INTERNATIONAL LTD.	SANNOHM		52-3240	
RSS0111	221K 1% 805 SMD	7.00	13	R209 R210 R212 R232 R236 R241 R297	S-P INTERNATIONAL LTD.	SANNOHM	RC05-221KFR	52-3223	
RSS0113	22M0 1% 805 SMD	1.00	13	R138	S-P INTERNATIONAL LTD.	SANNOHM	RC05-226JR	52-3241	
RSS0114	24K9 1% 805 SMD	3.00	13	R135 R137 R259	S-P INTERNATIONAL LTD.	SANNOHM	RC05-24K9FR	52-3222	
RSS0116	280K 1% 805 SMD	2.00	13	R270 R272	S-P INTERNATIONAL LTD.	SANNOHM	RC05-280KFR	52-3242	
RSS0117	2K00 1% 805 SMD	6.00	13	R113 R123 R246 R271 R77 R94	S-P INTERNATIONAL LTD.	SANNOHM	RC05-2K00FR	52-4506	
RSS0118	2K67 1% 805 SMD	2.00	13	R26 R49	S-P INTERNATIONAL LTD.	SANNOHM	RC05-2K67FR	52-4507	
RSS0120	2M21 1% 805 SMD	2.00	13	R176 R70	S-P INTERNATIONAL LTD.	SANNOHM	RC05-2M21FR	52-3221	
RSS0121	30K1 1% 805 SMD	4.00	13	R106 R11 R126 R9	S-P INTERNATIONAL LTD.	SANNOHM	RC05-30K1FR	52-3220	
RSS0122	33K2 1% 805 SMD	6.00	13	R158 R180 R257 R59 R73 R86	S-P INTERNATIONAL LTD.	SANNOHM	RC05-33K2FR	52-3219	
RSS0123	357K 1% 805 SMD	1.00	13	R239	S-P INTERNATIONAL LTD.	SANNOHM		52-3243	
RSS0124	3K16 1% 805 SMD	7.00	13	R169 R27 R29 R291 R47 R53 R63	S-P INTERNATIONAL LTD.	SANNOHM	RC05-3K16FR	52-4508	
RSS0125	3K32 1% 805 SMD	1.00	13	R14	S-P INTERNATIONAL LTD.	SANNOHM		52-3218	
RSS0127	412K 1% 805 SMD	1.00	13	R274	S-P INTERNATIONAL LTD.	SANNOHM		52-3244	
RSS0129	47K5 1% 805 SMD	2.00	13	R136 R193	S-P INTERNATIONAL LTD.	SANNOHM	RC05-47K5FR	52-3217	
RSS0130	499R 1% 805 SMD	2.00	13	R141 R218	S-P INTERNATIONAL LTD.	SANNOHM	RC05-499RFR	52-3245	
RSS0131	523K 1% 805 SMD	2.00	13	R269 R275	S-P INTERNATIONAL LTD.	SANNOHM	RC05-523KFR	52-3246	
RSS0134	57K6 1% 805 SMD	4.00	13	R17 R41 R43 R50	S-P INTERNATIONAL LTD.	SANNOHM	RC05-57K6FR	52-4514	
RSS0136	5K76 1% 805 SMD	3.00	13	R244 R35 R57	S-P INTERNATIONAL LTD.	SANNOHM	RC05-5K76FR	52-4512	
RSS0137	60R4 1% 805 SMD	4.00	13	R28 R31 R51 R54	S-P INTERNATIONAL LTD.	SANNOHM	RC05-60R4FR	52-4503	
RSS0139	619R 1% 805 SMD	2.00	13	R194 R195	S-P INTERNATIONAL LTD.	SANNOHM	RC05-619RFR	52-3216	
RSS0140	6K04 1% 805 SMD	2.00	13	R24 R48	S-P INTERNATIONAL LTD.	SANNOHM	RC05-6K04FR	52-4513	
RSS0141	6K81 1% 805 SMD	6.00	13	R149 R190 R191 R245 R298 R99	S-P INTERNATIONAL LTD.	SANNOHM	RC05-6K81FR	52-4515	
RSS0149	10K7 1% 805 SMD	4.00	13	R202 R205 R223 R226	S-P INTERNATIONAL LTD.	SANNOHM	RC05-10K7FR	52-3215	

RSS0152	2K00 1% 1206 SMD	2.00	13	R167 R61	S-P INTERNATIONAL LTD.	SANNOHM	RC06-2K00FR	52-4506	
RSS0153	4K99 1% 805 SMD	2.00	13	R238 R266	S-P INTERNATIONAL LTD.	SANNOHM		52-3247	
RSS0155	3K24 1% 805 SMD	2.00	13	R33 R56	S-P INTERNATIONAL LTD.	SANNOHM	RC05-3K24FR	52-4509	
RSS0156	4K53 1% 805 SMD	4.00	13	R30 R32 R52 R55	S-P INTERNATIONAL LTD.	SANNOHM	RC05-4K53FR	52-4510	
RSS0163	49R9 1% 805 SMD	13.00	13	R1 R145 R162 R163 R186 R187 R19 R199 R2 R200 R215 R91 R92	S-P INTERNATIONAL LTD.	SANNOHM	RC05-49R9FR	52-4504	
RSS0164	470K 0805 1%	1.00	13	R15	S-P INTERNATIONAL LTD.	SANNOHM	RC05-470KFR	52-3214	
RSS0165	634R 1% 805 SMD	2.00	13	R260 R265	S-P INTERNATIONAL LTD.	SANNOHM	RC05-634RFR	52-3213	
RSS0166	110K 0805 1%	2.00	13	R203 R224	S-P INTERNATIONAL LTD.	SANNOHM	RC05-110KFR	52-3212	
RSS0169	191K 0805 1%	2.00	13	R129 R96	S-P INTERNATIONAL LTD.	SANNOHM	RC05-191KFR	52-3211	
RSS0170	1K10 0805 1%	1.00	13	R290	S-P INTERNATIONAL LTD.	SANNOHM		52-3248	
RSS0173	332K 1% 805 SMD	3.00	13	R109 R161 R166	S-P INTERNATIONAL LTD.	SANNOHM	RC05-332KFR	52-3210	
RSS0175	470R 0805 1%	3.00	13	R173 R289 R67	S-P INTERNATIONAL LTD.	SANNOHM	RC05-470RFR	50-1702	
RSS0176	560K 0805 1%	3.00	13	R101 R128 R139	S-P INTERNATIONAL LTD.	SANNOHM	RC05-560KFR	52-3209	
RSS0177	1K50 1% 805 SMD	2.00	13	R13 R237	S-P INTERNATIONAL LTD.	SANNOHM	RC05-1K50FR	52-3208	
RSS0178	27K4 0805 1%	1.00	13	R153	S-P INTERNATIONAL LTD.	SANNOHM	RC05-274KFR	52-3249	
RSS0179	47K0 1% 805 SMD	4.00	13	R174 R281 R282 R68	S-P INTERNATIONAL LTD.	SANNOHM	RC05-47K0FR	52-3207	
RSS0180	5K11 0805 1%	3.00	13	R147 R21 R216	S-P INTERNATIONAL LTD.	SANNOHM	RC05-5K11FR	52-3206	
RSS0181	3K65 1% 805 SMD	2.00	13	R255 R256	S-P INTERNATIONAL LTD.	SANNOHM	RC05-3K65FR	52-3205	
RSS0183	5K49 1% 805 SMD	1.00	13	R197	S-P INTERNATIONAL LTD.	SANNOHM	RC05-5K49FR	52-3204	
RSS0186	4K22 1% 0805 SMD RESISTOR	1.00	13	R262	S-P INTERNATIONAL LTD.	SANNOHM	RC05-4K22FR	52-3203	
RSS0190	165K 1% 1/10W MF 0805 SMD	1.00	13	R220	S-P INTERNATIONAL LTD.	SANNOHM		52-3250	
RSS0191	7R50 1% 1/10W MF 0805 SMD	1.00	13	R189	S-P INTERNATIONAL LTD.	SANNOHM		52-3251	
RST0064	100K 1% 1/2W METAL FILM	1.00	05	R233	S-P INTERNATIONAL LTD.	SANNOHM	RNE12-100KFT	52-3201	
RST0153	100R 5% 1/2W CARBON	1.00	05	R177	SHANNON ELECTRONICS			50-2446	
RST0159	33K2 1% 1W METAL FILM (THRU HOLE)	2.00	05	R164 R97	S-P INTERNATIONAL LTD.	SANNOHM		52-3200	
RUB0012	CUSTOM RUBBER FOR HS2 @ HS3	1.00	05		DBX PROFESSIONAL PRODUCTS	DBX	70-4209	70-4209	
SCR0014	#6-32 x 1/2 PAN HD PHIL BLACK	7.00	04		GOULD FASTENERS LIMITED			28-0099	
SCR0026	2.9mm x 8 mm PAN HD PHIL BLACK	10.00	04		FASTBOLT CORPORATION	FASTBOLT CORPORATION	021-08-A	28-0263	YES
SCR0034	#4-40 X 7/8 INCH #2 PAN PHILLIPS	6.00	04		GOULD FASTENERS LIMITED			28-3200	
SCR0035	RACK MNT SCREW-#10-32 TRUSS HEAD BLK	4.00	01		DEXM FASTENERS	DEXM FASTENERS	28-0074	28-0074	
SCR0036	#6/32 x 1/4" PHIL PAN THR. FORM BLK	10.00	04		GOULD FASTENERS LIMITED			28-0059	
SCR0038	#6-32 X 5/16 FLAT PHIL UNDERCT ZINC	4.00	04		GOULD FASTENERS LIMITED			28-3353	
SCR0040	M5-0.8 X 35MM PAN HD PHIL BLACK	1.00	04		DEXM FASTENERS			28-0076	
SCR0045	#6-32 x 3/8" SOCKET CAP THRD FORMING	6.00	04		DEXM FASTENERS		6C37KCSZ/TR3	28-3202	
SGW0024	#4 x 3/16 x 3/16 SPACER NYLN	0.00			DEXM FASTENERS			28-3201	
SGW0043	GROUND WASHER FOR DBX JACKS	8.00	05	GW1 GW2 GW3 GW4 GW5 GW6 GW7 GW8	DBX PROFESSIONAL PRODUCTS	DBX	28-0187-A	28-0187-A	
SGW0045	POT WASHER DBX	14.00	04		DBX PROFESSIONAL PRODUCTS	DBX		NO PART#	
SGW0046	LED SPACER 0.40 HIGH	8.00	05		GOULD FASTENERS LIMITED	BIVAR	ELM-2-400	28-1022	
SGW0047	9908-17MM SPACER	6.00	04		GOULD FASTENERS LIMITED	BIVAR	9908-17MM	28-3204	
SGW0048	RACK MNT WASHERS - BLACK NYLON	4.00	01		DEXM FASTENERS	DEXM FASTENERS	28-0217	28-0217	
SKT0008	9-PIN TUBE SOCKET FOR 12AX7A	2.00	05		A/D ELECTRONICS INC.	A/D ELECTRONICS	VT9-PT	32-0250	
SUP0012	DBX WARRANTY CARD	1.00	01		DBX PROFESSIONAL PRODUCTS	DBX	18-1010-A	18-1010-A	
SUP0031	DBX 576 USER MANUAL ENGLISH	1.00	01		HILLSIDE PRINTING & COPY				SEE SAMPLE
SWP0001	CARL.#622132BBNN UL-CSA-TUV	1.00	04		WES-GARDE COMPONENTS GROUP INC	CARLINGSWITCH	622132BBNN	44-0182	YES
SWT0018	4PDT LATCHING PUSH BUTTON	4.00	05	SW20 SW22 SW23 SW7	E SWITCH	E-SWITCH	MTH4UEE	44-0026	YES

SWT0019	E-SWITCH DPDT	12.00	05	SW13 SW14 SW15 SW16 SW19 SW2 SW21 SW24 SW3 SW4 SW6 SW9	E SWITCH	ESWITCH	MTH2UEE	44-0027	YES
SWT0020	SPDT SWITCH MOMENTARY	2.00	05	SW11 SW12	E SWITCH	ESWITCH	MTH2UOA	44-0179	YES
SWT0021	4 POLE LATCHING SHORTING (MBB) SWITCH	3.00	05	SW1 SW5 SW8	E SWITCH	E-SWITCH	MTH-4U-EE-S	44-0180	YES
SWT0025	GANG SWITCH	2.00	05	SW10 SW18	E SWITCH	E-SWITCH	3XMTH12.5MM	44-0181	YES
TFR0024	DBX 500 SERIES TOROID XFMR	1.00	04		TOROID INTERNATIONAL LTD.	TOROID INTERNATIONAL LTD.	TI-65780BX	26-3000	YES
TRS0001	2N2907 SOT-23 SMD	6.00	13	Q12 Q13 Q6 Q7 Q8 Q9	ELECTROSONIC INC.	FAIRCHILD	MMBT2907	70-3200	
TRS0002	2N3904 SOT-23 SMD	5.00	13	Q1 Q2 Q3 Q4 Q5	ELECTROSONIC INC.	ROHM	SST3904T116	70-1058	
TRT0007	TIP50 TRANSISTOR 500 VOLT	2.00	05	Q10 Q11	ARROW ELECTRONICS INC.	SGS	TIP50	70-3201	
TUB0003	12AU7A DUAL TRIODE VACUUM TUBE	2.00	04		MAGIC PARTS	MAGIC PARTS		76-0167	SEE SAMPLE