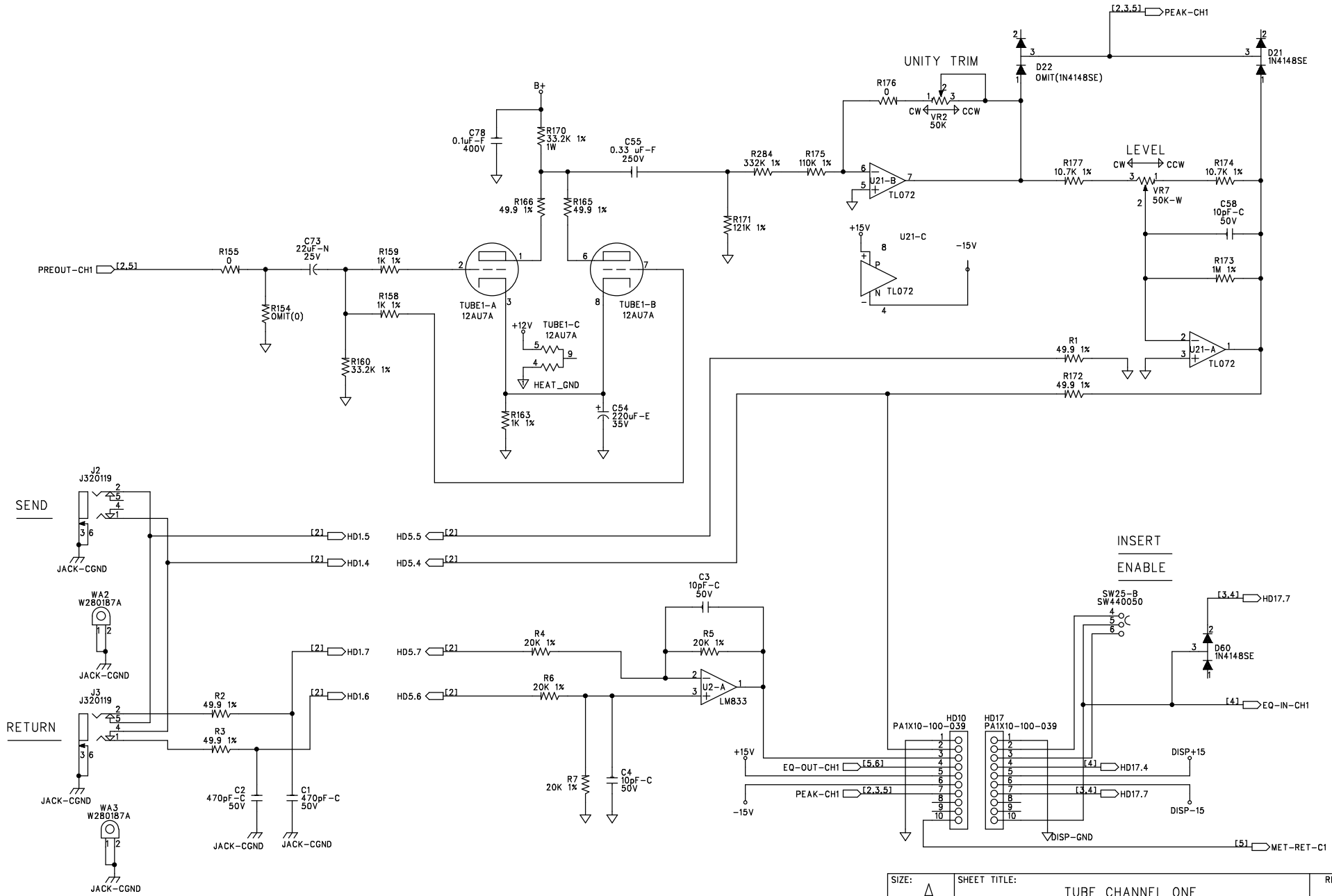
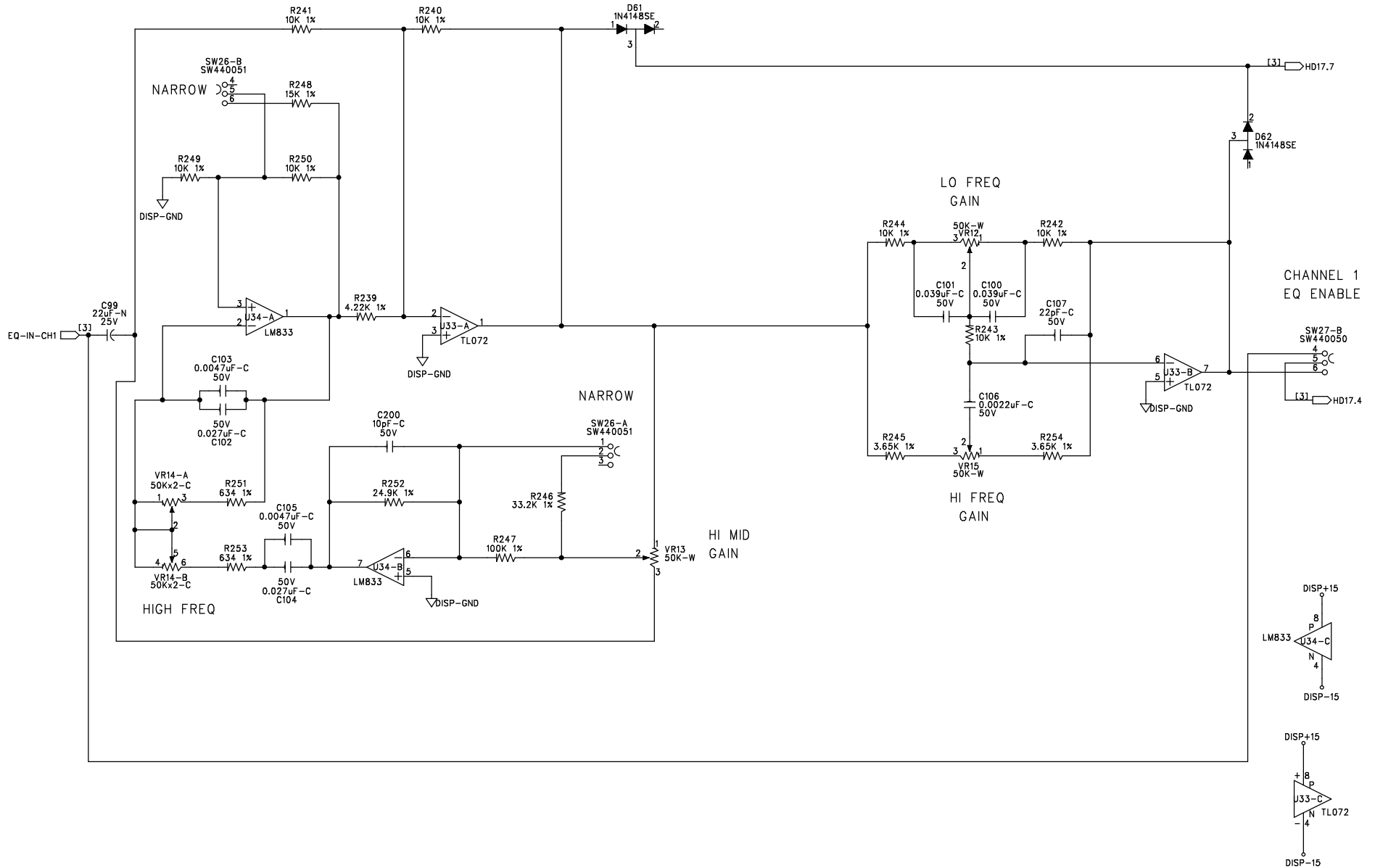


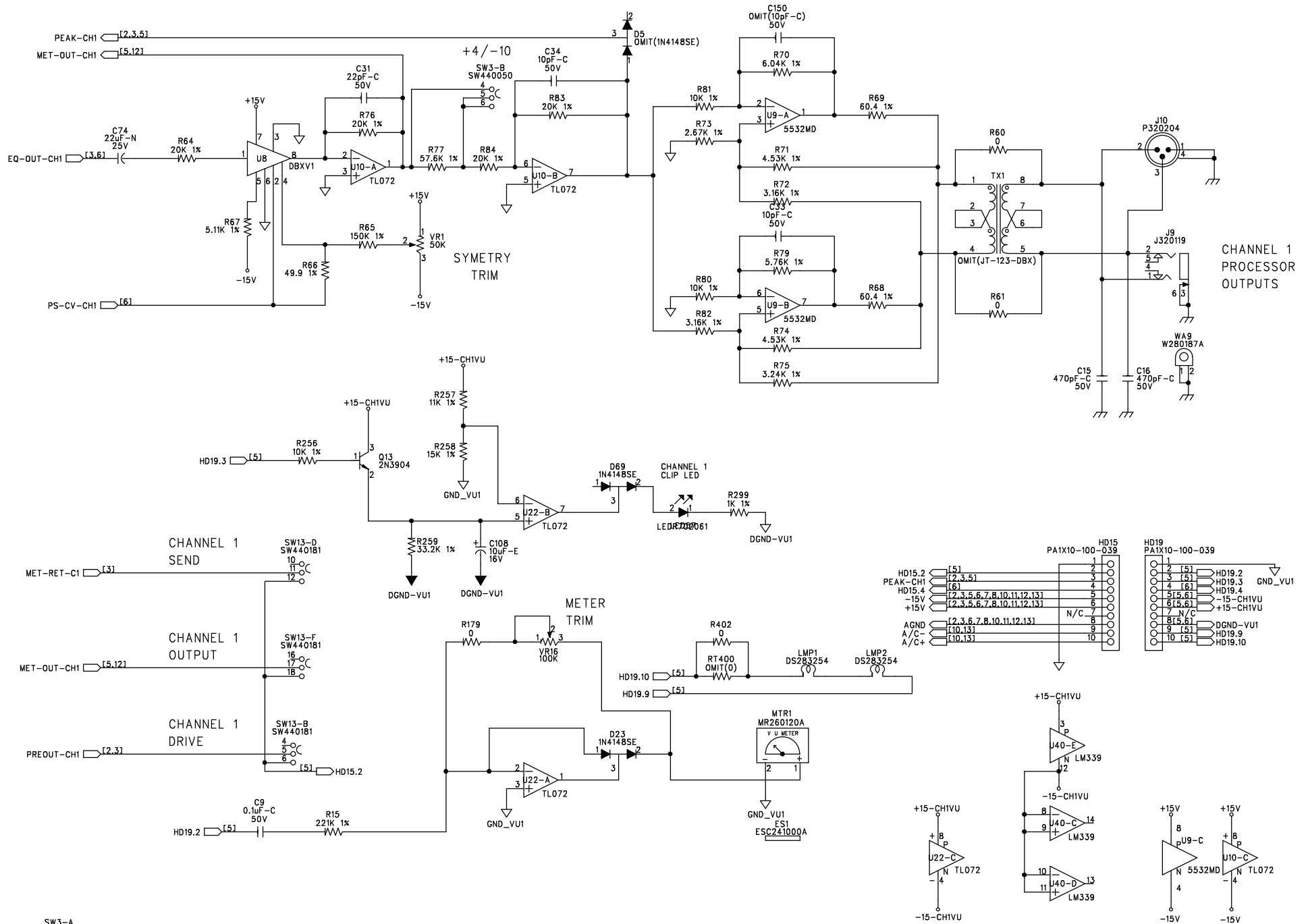
SIZE: A	SHEET TITLE: MIC/LINE INPUT CHANNEL ONE	REVISION: E0
START DATE: 12-6-00	DRAWING NO: 05-6330	SHEET: 2 OF 13



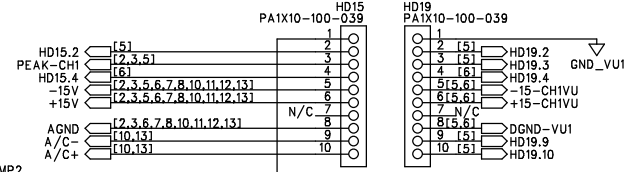
SIZE: A	SHEET TITLE: TUBE CHANNEL ONE	REVISION: E0
START DATE: 12-6-00	DRAWING NO: 05-6330	SHEET: 3 OF 13



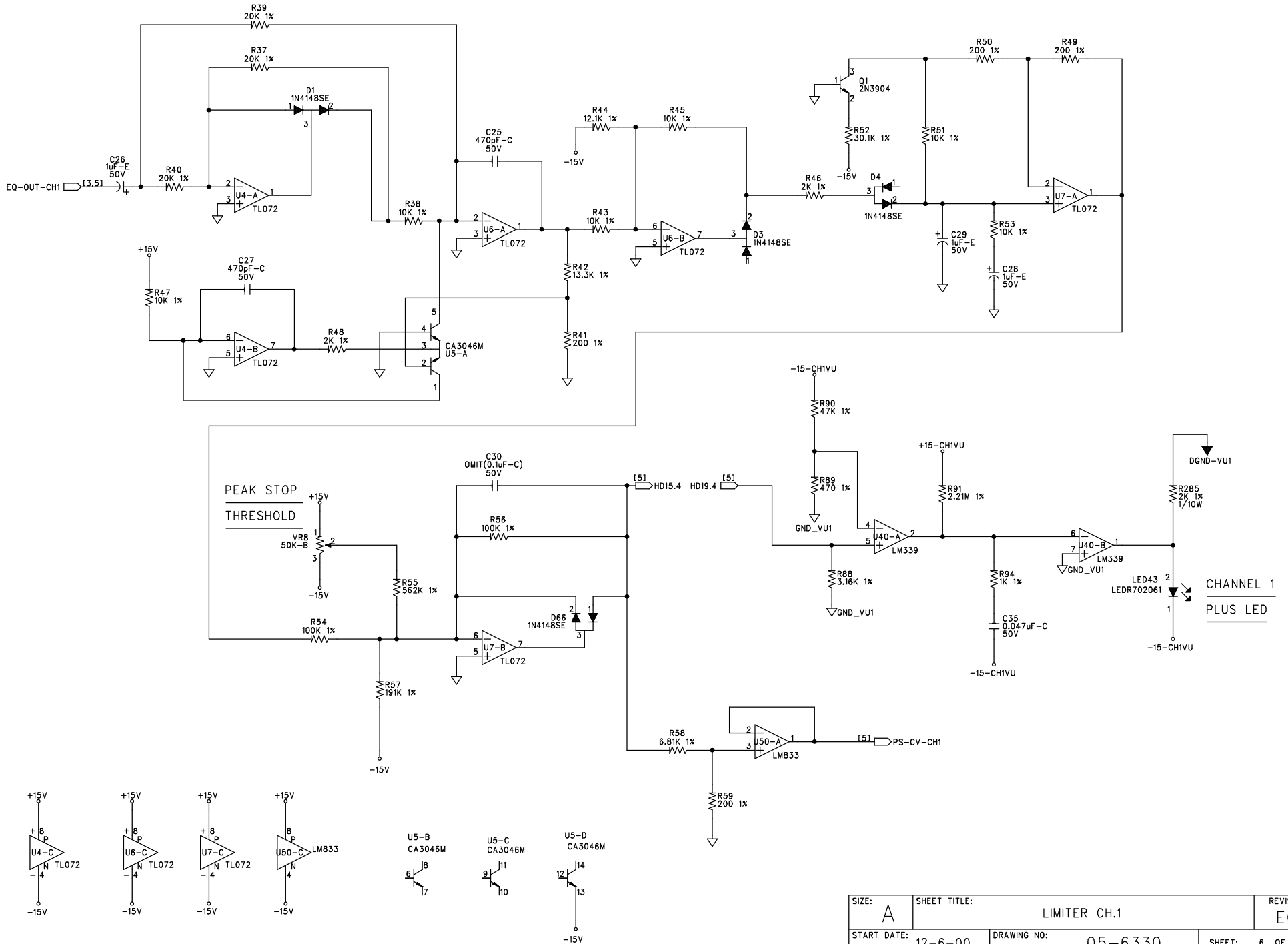
SIZE: A	SHEET TITLE: EQ CHANNEL ONE	REVISION: E0
START DATE: 12-6-00	DRAWING NO: 05-6330	SHEET: 4 OF 13



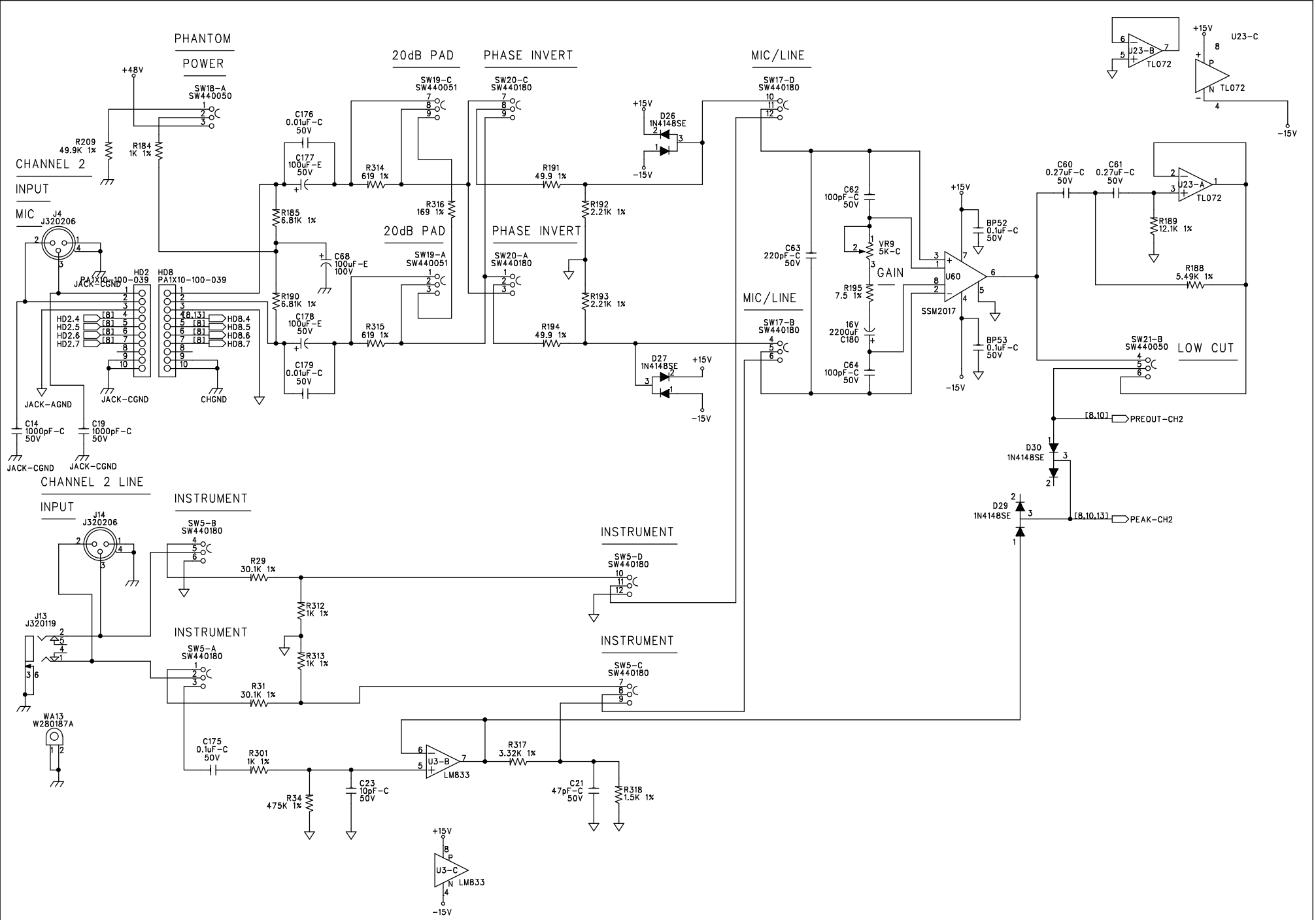
CHANNEL 1
PROCESSOR
OUTPUTS



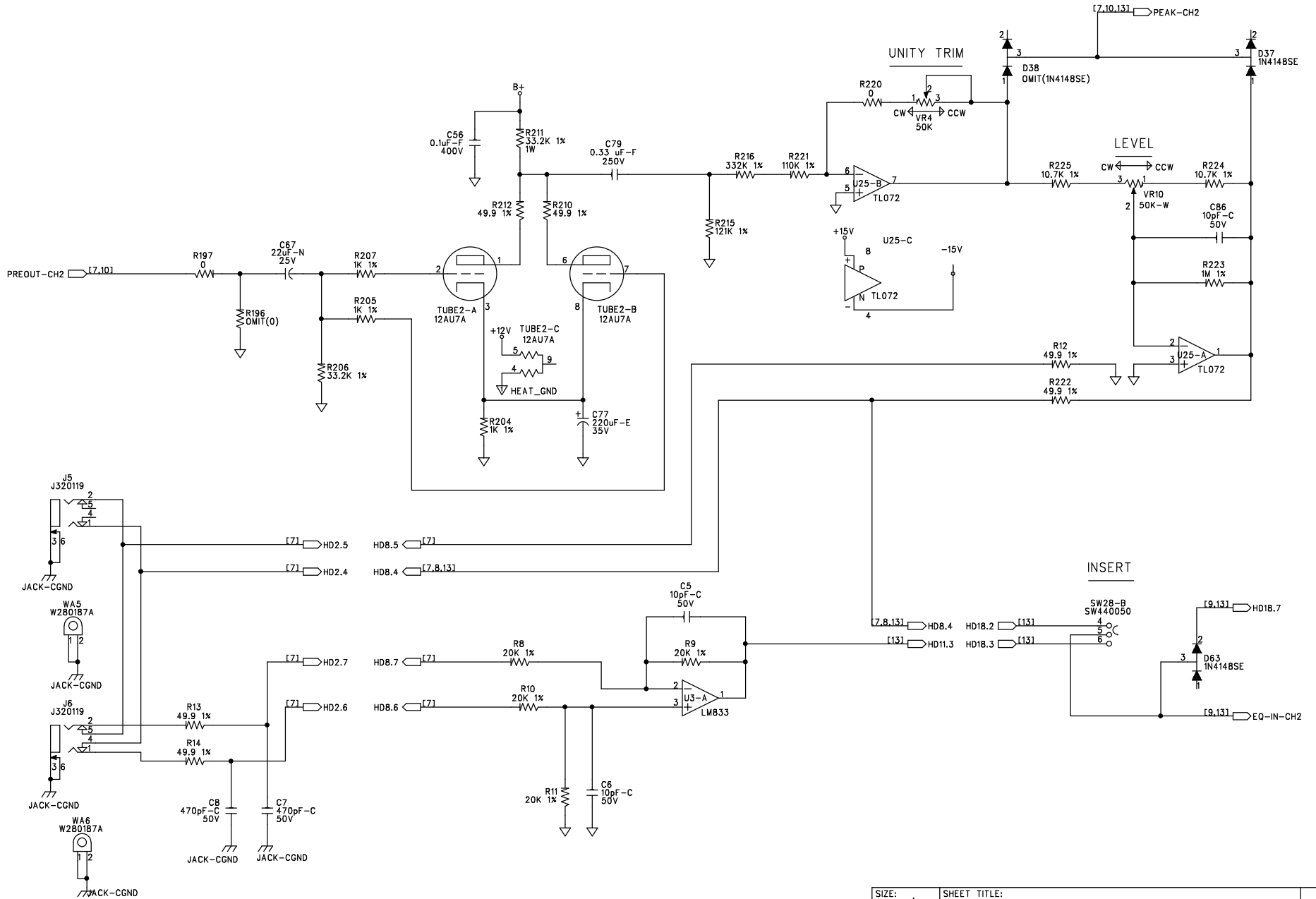
SIZE: A	SHEET TITLE: METER / OUTPUT CH.1	REVISION: E0
START DATE: 12-6-00	DRAWING NO: 05-6330	SHEET: 5 OF 13



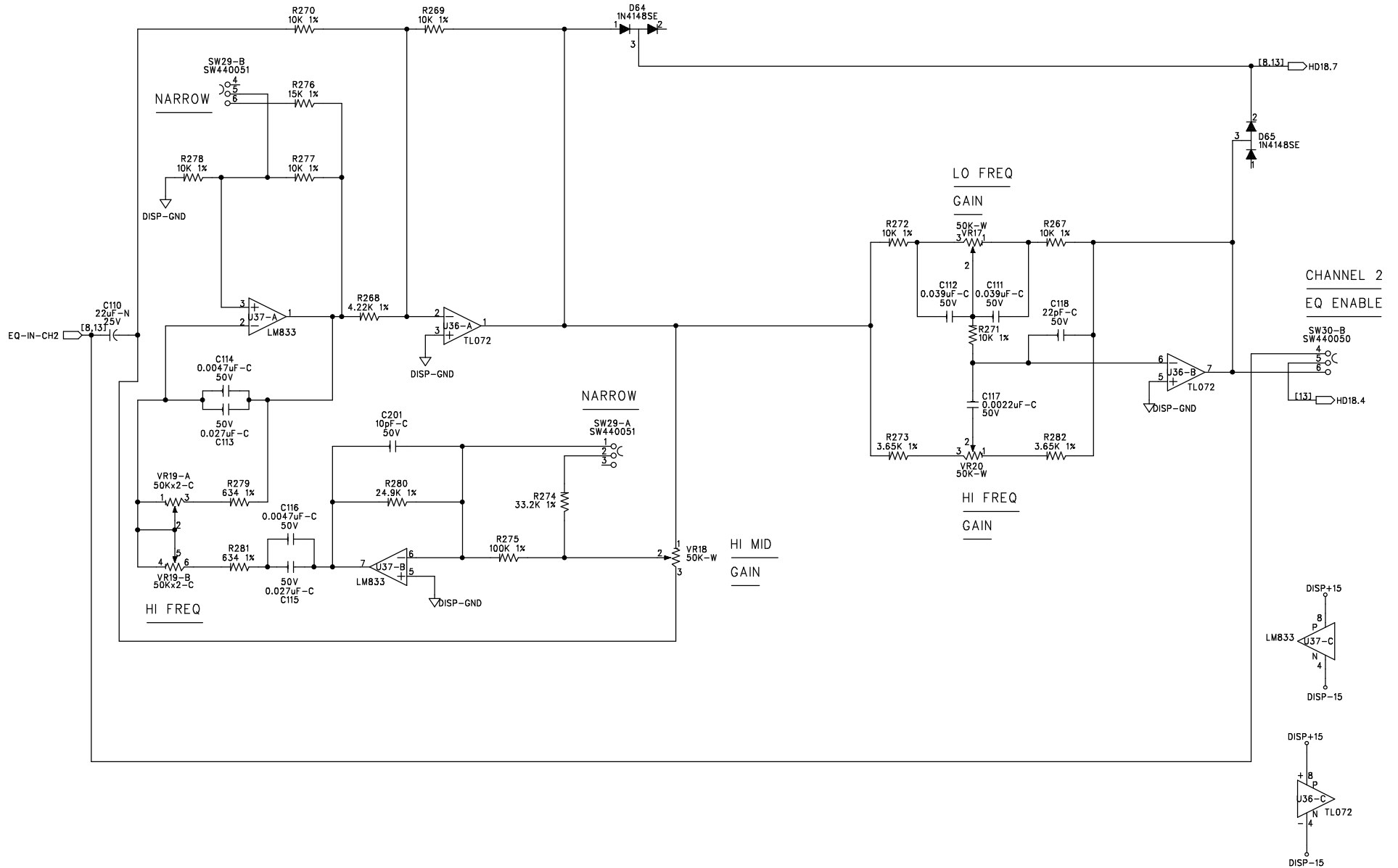
SIZE: A	SHEET TITLE: LIMITER CH.1	REVISION: E0
START DATE: 12-6-00	DRAWING NO: 05-6330	SHEET: 6 OF 13



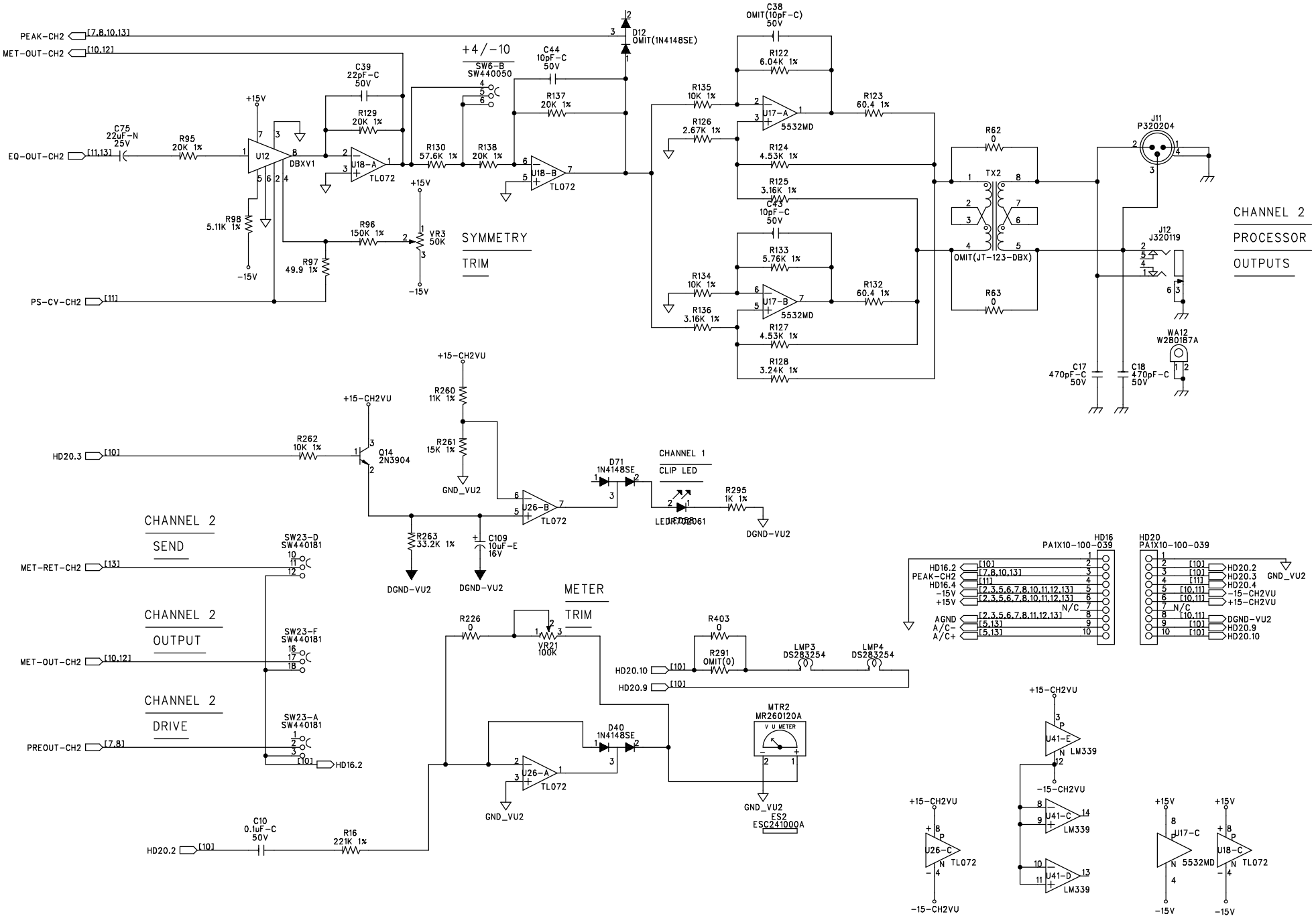
SIZE: A	SHEET TITLE: MIC/LINE INPUT CHANNEL 2	REVISION: E0
START DATE: 12-6-00	DRAWING NO: 05-6330	SHEET: 7 OF 13



SIZE: A	SHEET TITLE: TUBE CHANNEL 2	REVISION: E0
START DATE: 12-6-00	DRAWING NO: 05-6330	SHEET: 8 OF 13



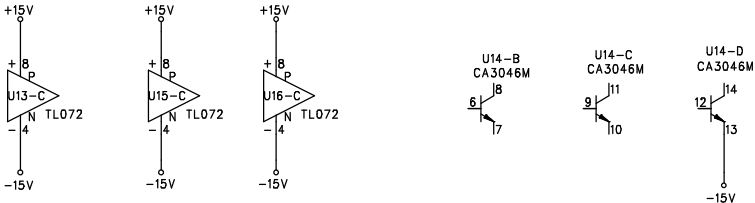
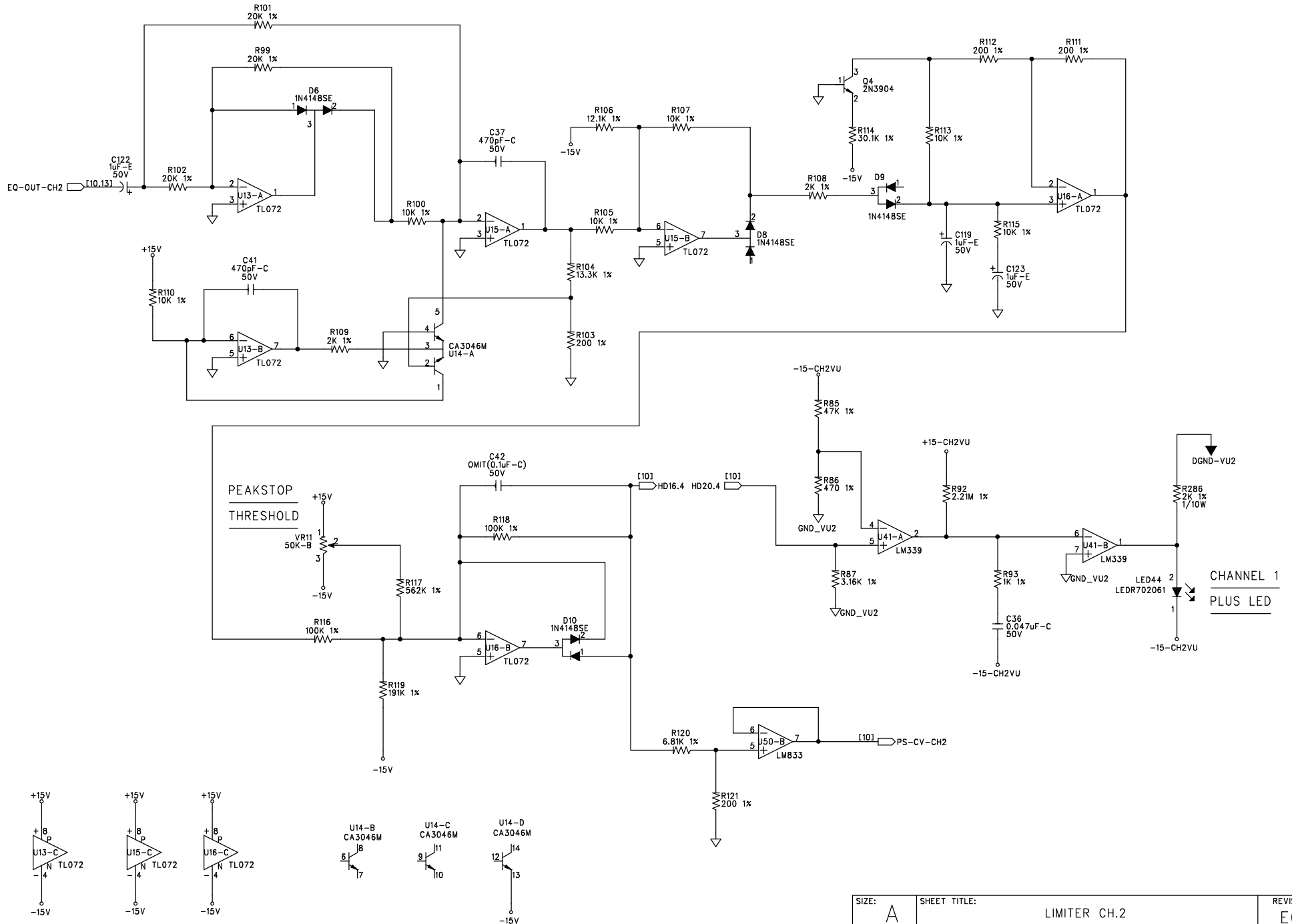
SIZE: A	SHEET TITLE: EQ CHANNEL 2	REVISION: E0
START DATE: 12-6-00	DRAWING NO: 05-6330	SHEET: 9 OF 13



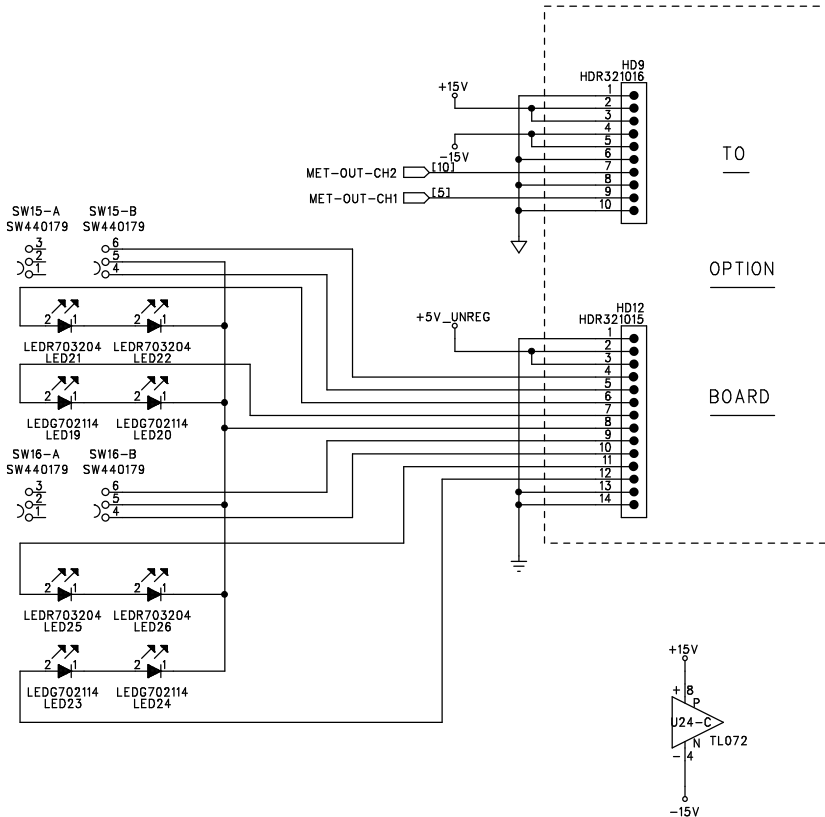
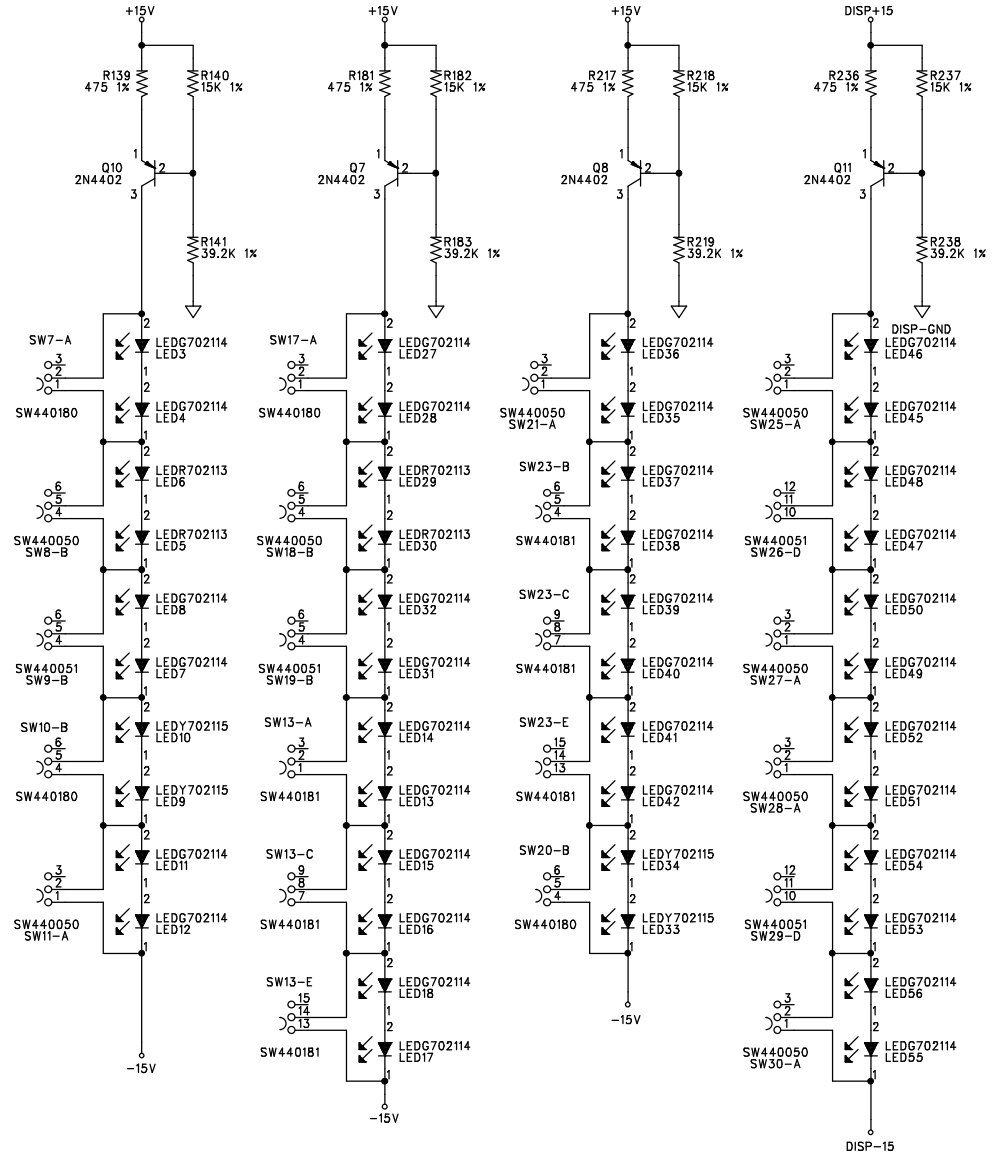
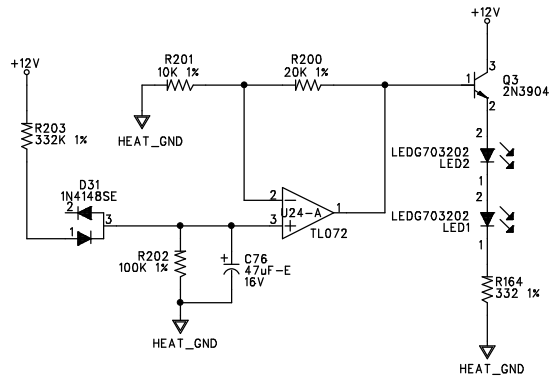
CHANNEL 2
PROCESSOR
OUTPUTS

SW6-A
SW440050
1
2
3

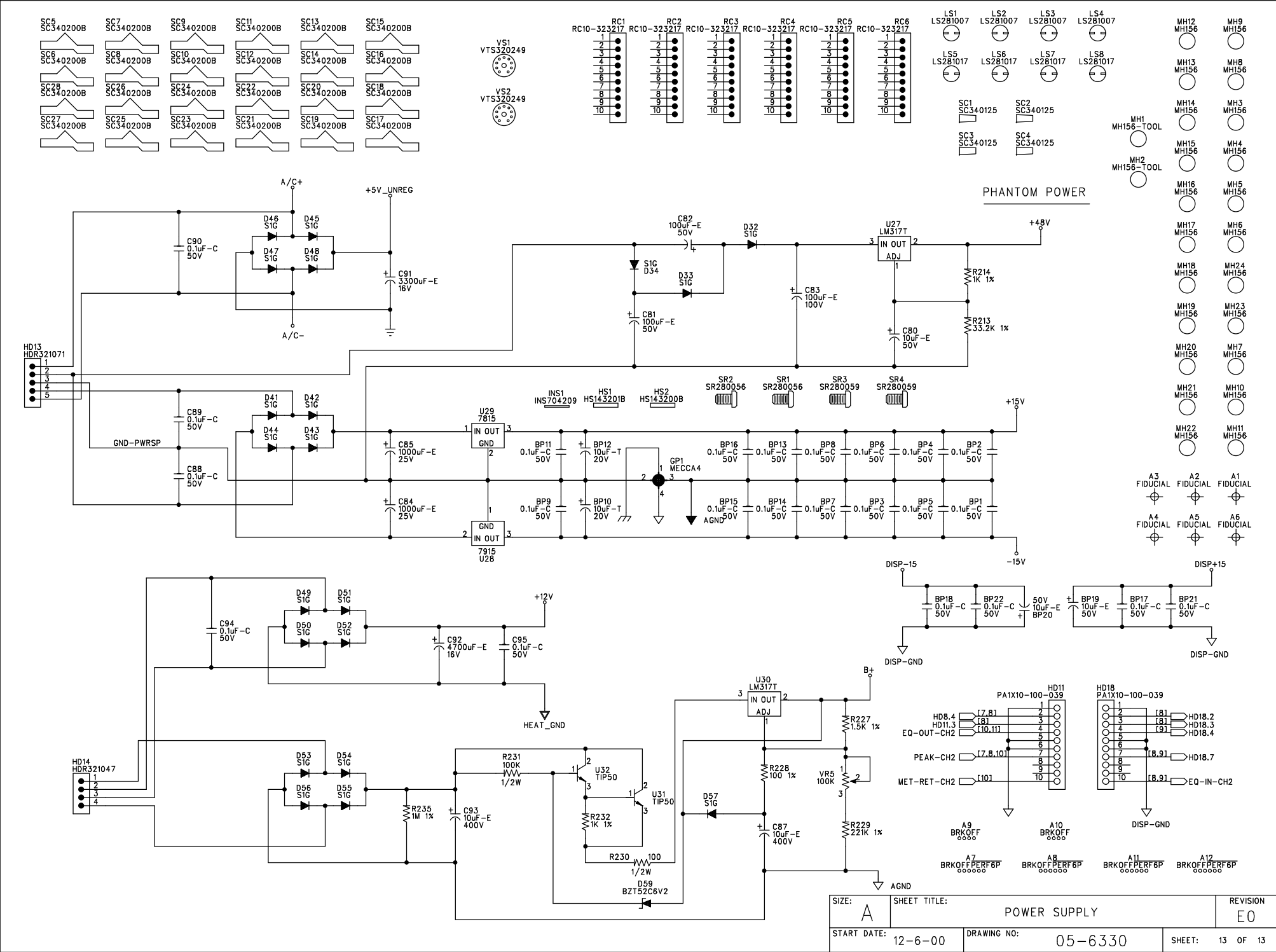
SIZE: A	SHEET TITLE: METER / OUTPUT CH.1	REVISION: E0
START DATE: 12-6-00	DRAWING NO: 05-6330	SHEET: 10 OF 13



SIZE: A	SHEET TITLE: LIMITER CH.2	REVISION: E0
START DATE: 12-6-00	DRAWING NO: 05-6330	SHEET: 11 OF 13



SIZE: A	SHEET TITLE: DIGITAL OUT OPTION	REVISION: E0
START DATE: 12-6-00	DRAWING NO: 05-6330	SHEET: 12 OF 13



SIZE: A	SHEET TITLE: POWER SUPPLY	REVISION: E0
START DATE: 12-6-00	DRAWING NO: 05-6330	SHEET: 13 OF 13

Bill Of Materials for 056330E0.sch on Mon Dec 11 11:38:34 2000

Qty	Reference	HMG#	Description	Audit	Schematic Part	PCB Decal
1	PCB1	80-6330	PCB 80-6330 dbx586	PT2044	80XXXXXY	BARCODE
2	A9-10	NON-PART	NON-PART, PCB ONLY, BREAKOFF PART	PT1481	BRKOFF	BRKOFF
4	A7-8 A11-12	NON-PART	NON-PART, BREAKOFF PERFORATION FOR V-SCORE 6-PIN	PT1302	BRKOFF\PERF6P	BRKOFF\PERF6P
2	C106 C117	62-3206	CAP 0.0022uF CER 50V 10% SM 0805 TA	PT2225	C0.0022UC50K0805	0805
4	C103 C105 C114 C116	62-3205	CAP 0.0047uF CER 50V 10% SM 0805 TA	PT2223	C0.0047UC50K0805	0805
4	C170-171 C176 C179	62-3142	CAP, 0.01uF, CER, 50V, 10%, 0805, T&R	PT1118	C0.01UC50K0805	0805
4	C102 C104 C113 C115	62-3203	CAP 0.027uF CER 50V 10% SM 0805 TA	PT2224	C0.027UC50K0805	0805
4	C100-101 C111-112	62-3604	CAP 0.039uF CER 50V 10% SM 0805 TA	PT2226	C0.039UC50K0805	0805
2	C35-36	62-3144	CAP, 0.047uF, CER, 50V, 10%, 0805, T&R	PT1343	C0.047UC50J0805	0805
31	BP1-9 BP11 BP13-18 BP21-22 BP50-53 C9-10 C88-90 C94-95 C172 C175	62-3139	CAP, 0.1uF, CER, 50V, 20%, 0805, T&R	PT1087	C0.1UC50M0805	0805
2	C30 C42	OMIT	OMIT, CAP, 0.1uF, CER, 50V, 20%, 0805, T&R (62-3139)	PT1345	C0.1UC50M08050	0805
2	C56 C78	56-2218	CAP, 0.1uF, FILM, 400V, 5%, RFNG400, BULK	PT1772	C0.1UF400JR	RFNG400
4	C50-51 C60-61	62-3204	CAP 0.27uF CER 50V 10% SM 0805 TA	PT2227	C0.27UC50K0805	0805
2	C55 C79	62-3200	CAP 0.33uF FILM 250V 10% RAD TA	PT1844	C0.33UF250KR	RFQE490
4	C11-12 C14 C19	62-3136	CAP, 1000pF, CER, 50V, 20%, 0805, T&R	PT1109	C1000PC50M0805	0805
2	C84-85	60-0070	CAP, 1000uF, ELEC, 25V, 20%, CUT 5mm, REQ2000P, BULK	PT1633	C1000UE25MR	REQ200P
4	C48 C52 C62 C64	62-3503	CAP, 100pF, CER, 50V, 5%, COG, 0805, T&R	PT1786	C100PC50J0805	0805
3	C45 C68 C83	60-0405	CAP 100uF ELEC 100V 20% TA	PT2272	C100UE100MR1	REP200P
6	C81-82 C168-169 C177-178	60-1013	CAP, 100uF, ELEC, 50V, 20%, REJ200P, AMMO	PT1408	C100UE50MR	REJ200P
14	C3-6 C13 C23 C33-34 C43-44 C58 C86 C200-201	62-3140	CAP, 10pF, CER, 50V, 5%, 0805, T&R	PT1088	C10PC50J0805	0805
2	C38 C150	OMIT	OMIT CAP 10pF CER 50V 5% 0805 TA (62-3140)	PT2273	C10PC50J08050	0805
2	C108-109	60-0049-01	CAP 10uF ELEC 16V 20% 5x7 0.2"LS TA	PT1080	C10UE16MR	RED200P
2	C87 C93	60-0310	CAP, 10uF, ELEC, 400V, 20%, REQ200P, AMMO	PT1444	C10UE400MR	REQ200P
3	BP19-20 C80	60-0090	CAP, 10uF, ELEC, 50V, 20%, REE200P, AMMO	PT1206	C10UE50MR	REE200P
2	BP10 BP12	62-3207	CAP 10uF TANT 20V 10% SM 6032 TA	PT2378	C10UT20K6032	6032
6	C26 C28-29 C119 C122-123	60-0044-01	CAP, 1uF, ELEC, 50V, 20%, RED200P, AMMO	PT1079	C1UE50MR	RED200P
2	C167 C180	60-0089	CAP 2200uF ELEC 16V 20% C5 RC BK	PT2228	C2200UE16MR	REQ200P
2	C49 C63	62-3138	CAP, 220pF, CER, 50V, 10%, 0805, T&R	PT1286	C220PC50K0805	0805
2	C54 C77	60-0076	CAP 220uF EL 35V 20% GP 10X16R 5LL BK	PT2305	C220UE35MR	REM200P
4	C31 C39 C107 C118	62-3134	CAP, 22pF, CER, 50V, 5%, 0805, T&R	PT1107	C22PC50J0805	0805
6	C67 C73-75 C99 C110	60-0402	CAP, 22uF, ELEC, NON-POL, 25V, 20%, REG200, AMMO	PT1084	C22UN25MR	REG200
1	C91	60-1069	CAP 3300UF ELEC 16V 20% 85c 16X25 BK	PT2218	C3300UE16MR1	RES300P
1	C92	60-0062	CAP 4700uF EL 16V 20% 16X32R BK	PT1381	C4700UE16MR	RES300P
12	C1-2 C7-8 C15-18 C25 C27 C37 C41	62-3133	CAP, 470pF, CER, 50V, 10%, 0805, T&R	PT1086	C470PC50K0805	0805
2	C20-21	62-3132	CAP, 47pF, CER, 50V, 5%, 0805, T&R	PT1085	C47PC50J0805	0805
1	C76	60-0054-01	CAP, 47uF, ELEC, 16V, 20%, REE200P, AMMO	PT1108	C47UE16MR	REE200P
29	D1 D3-4 D6 D8-10 D13 D15 D17-18 D21 D23 D26-27 D29-31 D37 D40 D60-66 D69 D71	70-0113	DIO, MMBD4148SE, DUAL DIODE, 75V, 600mA, SOT-23, T&R	PT1326	D1N4148SE-S	SOT-23
4	D5 D12 D22 D38	OMIT	OMIT, DIO, MMBD4148SE, DUAL DIODE, 75V, 600mA, SOT-23, T&R, (70-0113)	PT1327	D1N4148SE-S-0	SOT-23
1	D59	70-0021	DIO BZT52C6V2 ZENER 6.2V SOD-123 TA	PT2377	DBZT52C6V2	SOD-123
4	LMP1-4	28-3254	DIS LAMP 12V 80mA BK	PT2232	DS283254	DS283254
20	D32-34 D41-57	70-3203	DIO SIG RECT 400V 1.0A SMA TA	PT2081	DS1G-S	DO-214AC/SMA
2	ES1-2	24-1000-A	ESC METER dbx BLUE SERIES	PT2307	ESC241000A	ESC241000A
6	A1-6	NON-PART	NON-PART, FIDUCIAL, TARGET FOR AUTO INSERTION	PT1271	FIDUCIAL	FIDUCIAL
1	HD12	32-1015	HDR, 14 PIN, 0.079" SPC, 1 X 14, LCK, SHD, VERT, MALE	PT1265	HDR321015	HC14079L
1	HD9	32-1016	HDR, 10 PIN, 0.079" SPC, 1 X 10, LCK, SHD, VERT, MALE	PT1266	HDR321016	HC10079L
1	HD14	32-1047	HDR, 4 PIN, 0.2" SPC, 1 X 4, 0.045" SQ PIN, LCK, VERT, MALE	PT1530	HDR321047	HC4200LM
1	HD13	32-1071	HDR, 5 PIN, 0.1" SPC, 1 X 5, LCK, POL, VERT, MALE	PT1621	HDR321071	HC51LPM
1	HS2	14-3200	HEATSINK SILVER SERIES REV. B	PT2397	HS143200B	HS143200B

1	HS1	14-3201	HEATSINK TOP BRACKET 3-REG	PT2398	HS143201B	HS143201B
1	INS1	70-4209	INSULATOR, 3 REGULATOR HEATSINK	PT1227	INS704209	INS704209-V
8	J2-3 J5-6 J8-9 J12-13	32-0119	CON, JACK, 1/4 PHONO, FULL NOSE THREAD, SLIMLINE	PT1359	J320119	J320119
4	J1 J4 J7 J14	32-0206	CON, JACK, XLR, R/A, PCA A SERIES	PT1219	J320206	XLRF-1
2	LED1-2	70-3202	LED, AMBER, T1, W/.450 MOLDED SPACER	PT1861	LEDA703202	RLC100
40	LED3-4 LED7-8 LED11-20 LED23-24 LED27-28 LED31-32 LED35-42 LED45-56	70-2114	LED, GRN, T1, RLC100, AMMO	PT1059	LEDG702114	RLC100
4	LED43-44 LED57-58	70-2061	LED RED T1 SMALL DIFFUSED HAND STUFF	PT2253	LEDR702061	RLC100
4	LED5-6 LED29-30	70-2113	LED, RED, T1, RADIAL, AMMO	PT1058	LEDR702113	RLC100
4	LED21-22 LED25-26	70-3204	LED RED SM 0603 TA	PT2229	LEDR703204	D0603
4	LED9-10 LED33-34	70-2115	LED, YEL, T1, RADIAL, AMMO	PT1060	LEDY702115	RLC100
4	LS1-4	28-1007	LED STANDOFF 0.187 DIA PLASTIC 0.330 HEIGHT T1	PT2396	LS281007	PCBNULL
4	LS5-8	28-1017	LED STANDOFF 0.187 DIA PLASTIC 0.480 HEIGHT T1	PT2395	LS281017	PCBNULL
1	GP1	NON-PART	NON-PART, MECCA GND/PWR TIE POINT, 4 POS	PT1043	MECCA4	MECCA4
22	MH3-24	NON-PART	NON-PART, MOUNTING HOLE, 0.156" NON-PLATED,#6	PT1044	MH156	MH156
2	MH1-2	NON-PART	NON-PART, TOOLING PIN HOLE, 156MIL HOLE	PT1416	MH156-TOOL	MH156-TOOL
2	MTR1-2	26-0120-A	METER dB -20/+10 dB SCALE dbx	PT2310	MR260120A	MR260120A
2	J10-11	32-0204	CON, PLUG, XLR, R/A, PCA A SERIES	PT1218	P320204	XLRM-1
12	HD1-2 HD5 HD8 HD10-11 HD15-20	NON-PART		PT2274	PA1X10-100-039	PA1X10-100-039
4	Q7-8 Q10-11	70-1035	XSTR, 2N44402, PNP, SIGNAL, TO-92, AMMO	PT1527	Q2N4402	TO92(EBC)-V
5	Q1 Q3-4 Q13-14	70-1058	XSTR, 2N3904, NPN, SOT-23, T&R	PT1203	Q2N3904-S	SOT-23
2	U31-32	70-3201	XSTR TIP50 NPN 1A 40W BK	PT2237	QTTP50	TO220AB(BCE)-V
12	R60-63 R155 R176 R179 R197 R220 R226 R402-403	50-1531	RES 0 5% 1/10W SM 0805 TA	PT1099	R0-C5-0805	0805
2	R154 R196	OMIT	OMIT RES 0 5% 1/10W SM 0805 TA (50-1531)	PT1006	R0-C5-08050	0805
2	R291 RT400	OMIT	OMIT RES 0 5% 1/4W CF AR TA (50-0050)	PT1240	R0-E5-AO	AR400
3	R227 R311 R318	52-3208	RES 1.5K 1% 1/10W SM 0805 TA	PT1733	R1.5KC1-0805	0805
4	R174 R177 R224-225	52-3215	RES 10.7K 1% 1/10W SM 0805 TA	PT1726	R10.7KC1-0805	0805
1	R228	52-3235	RES 100 1% 1/10W SM 0805 TA	PT1706	R100-C1-0805	0805
1	R230	50-2446	RES 100 5% 1/2W CF AR TA	PT2257	R100-F5-A	AR130500
7	R54 R56 R116 R118 R202 R247 R275	52-1010	RES 100K 1% 1/10W SM 0805 TA	PT2014	R100KC1-0805	0805
1	R231	52-3201	RES 100K 1/2W 1% MF AR TA	PT2256	R100KF1-A	AR130500
33	R38 R43 R45 R47 R51 R53 R80-81 R100 R105 R107 R110 R113 R115 R134-135 R201 R240-244 R249-250 R256 R262 R267 R269-272 R277-278	52-4500	RES 10K 1% 1/10W SM 0805 TA	PT1034	R10KC1-0805	0805
2	R175 R221	52-3212	RES 110K 1% 1/10W SM 0805 TA	PT1729	R110KC1-0805	0805
2	R257 R260	52-3229	RES 11K 1% 1/10W SM 0805 TA	PT1712	R11KC1-0805	0805
4	R44 R106 R147 R189	52-3234	RES 12.1K 1% 1/10W SM 0805 TA	PT1707	R12.1KC1-0805	0805
2	R171 R215	52-3228	RES 121K 1% 1/10W SM 0805 TA	PT1713	R121KC1-0805	0805
2	R42 R104	52-3227	RES 13.3K 1% 1/10W SM 0805 TA	PT1714	R13.3KC1-0805	0805
2	R65 R96	52-3226	RES 150K 1% 1/10W SM 0805 TA	PT1715	R150KC1-0805	0805
8	R140 R182 R218 R237 R248 R258 R261 R276	52-3233	RES 15K 1% 1/10W SM 0805 TA	PT1708	R15KC1-0805	0805
2	R305 R316	52-3225	RES 169 1% 1/10W SM 0805 TA	PT1716	R169-C1-0805	0805
2	R57 R119	52-3211	RES 191K 1% 1/10W SM 0805 TA	PT1730	R191KC1-0805	0805
20	R93-94 R142 R158-159 R163 R184 R204-205 R207 R214 R232 R295 R299-301 R308-309 R312-313	52-4505	RES 1K 1% 1/10W SM 0805 TA	PT1037	R1KC1-0805	0805
3	R173 R223 R235	52-1004	RES 1M 1% 1/10W SM 0805 TA	PT2201	R1MC1-0805	0805
4	R149-150 R192-193	52-3230	RES 2.21K 1% 1/10W SM 0805 TA	PT1711	R2.21KC1-0805	0805
2	R91-92	52-3221	RES 2.21M 1% 1/10W SM 0805 TA	PT1720	R2.21MC1-0805	0805
2	R73 R126	52-4507	RES 2.67K 1% 1/10W SM 0805 TA	PT1039	R2.67KC1-0805	0805

				05-6330-E0				
8	R41 R49-50 R59 R103 R111-112 R121	52-3224	RES 200 1% 1/10W SM 0805 TA		PT1717	R200-C1-0805	0805	
23	R4-11 R37 R39-40 R64 R76 R83-84 R95 R99 R101-102 R129 R137-138 R200	52-4501	RES 20K 1% 1/10W SM 0805 TA		PT1035	R20KC1-0805	0805	
3	R15-16 R229	52-3223	RES 221K 1% 1/10W SM 0805 TA		PT1718	R221KC1-0805	0805	
2	R252 R280	52-3222	RES 24.9K 1% 1/10W SM 0805 TA		PT1719	R24.9KC1-0805	0805	
6	R46 R48 R108-109 R285-286	52-4506	RES 2K 1% 1/10W SM 0805 TA		PT1038	R2KC1-0805	0805	
6	R72 R82 R87-88 R125 R136	52-4508	RES 3.16K 1% 1/10W SM 0805 TA		PT1129	R3.16KC1-0805	0805	
2	R75 R128	52-4509	RES 3.24K 1% 1/10W SM 0805 TA		PT1040	R3.24KC1-0805	0805	
2	R310 R317	52-3218	RES 3.32K 1% 1/10W SM 0805 TA		PT1723	R3.32KC1-0805	0805	
4	R245 R254 R273 R282	52-3205	RES 3.65K 1% 1/10W SM 0805 TA		PT1736	R3.65KC1-0805	0805	
6	R18 R20 R29 R31 R52 R114	52-3220	RES 30.1K 1% 1/10W SM 0805 TA		PT1721	R30.1KC1-0805	0805	
7	R160 R206 R213 R246 R259 R263 R274	52-3219	RES 33.2K 1% 1/10W SM 0805 TA		PT1722	R33.2KC1-0805	0805	
2	R170 R211	52-3200	RES 33.2K 1% 1W MF AR TA		PT2306	R33.2KGI-A	AR200600	
1	R164	52-3232	RES 332 1% 1/10W SM 0805 TA		PT1709	R332-C1-0805	0805	
3	R203 R216 R284	52-3210	RES 332K 1% 1/10W SM 0805 TA		PT1731	R332KC1-0805	0805	
4	R141 R183 R219 R238	52-4531	RES 39.2K 1% 1/10W SM 0805 TA		PT1820	R39.2KC1-0805	0805	
2	R239 R268	52-3203	RES 4.22K 1% 1/10W SM 0805 TA		PT1738	R4.22KC1-0805	0805	
4	R71 R74 R124 R127	52-4510	RES 4.53K 1% 1/10W SM 0805 TA		PT1130	R4.53KC1-0805	0805	
2	R86 R89	50-1702	RES 470 1% 1/10W SM 0805 TA		PT2275	R470-C1-0805	0805	
4	R139 R181 R217 R236	52-3231	RES 475 1% 1/10W SM 0805 TA		PT1710	R475-C1-0805	0805	
2	R23 R34	52-3214	RES 475K 1% 1/10W SM 0805 TA		PT1961	R475KC1-0805	0805	
2	R85 R90	52-3207	RES 47K 1% 1/10W SM 0805 TA		PT1734	R47KC1-0805	0805	
18	R1-3 R12-14 R66 R97 R148 R151 R165-166 R172 R191 R194 R210 R212 R222	52-4502	RES 49.9 1% 1/10W SM 0805 TA		PT1036	R49.9-C1-0805	0805	
2	R161 R209	52-4567	RES 49.9K 1% 1/10W SM 0805 TA		PT2012	R49.9KC1-0805	0805	
2	R67 R98	52-3206	RES 5.11K 1% 1/10W SM 0805 TA		PT1735	R5.11KC1-0805	0805	
2	R146 R188	52-3204	RES 5.49K 1% 1/10W SM 0805 TA		PT1737	R5.49KC1-0805	0805	
2	R79 R133	52-4512	RES 5.76K 1% 1/10W SM 0805 TA		PT1131	R5.76KC1-0805	0805	
2	R55 R117	52-3209	RES 562K 1% 1/10W SM 0805 TA		PT1732	R562KC1-0805	0805	
2	R77 R130	52-4514	RES 57.6K 1% 1/10W SM 0805 TA		PT1042	R57.6KC1-0805	0805	
2	R70 R122	52-4513	RES 6.04K 1% 1/10W SM 0805 TA		PT1132	R6.04KC1-0805	0805	
6	R58 R120 R143 R152 R185 R190	52-4515	RES 6.81K 1% 1/10W SM 0805 TA		PT1281	R6.81KC1-0805	0805	
4	R68-69 R123 R132	52-4503	RES 60.4 1% 1/10W SM 0805 TA		PT1128	R60.4-C1-0805	0805	
4	R306-307 R314-315	52-3216	RES 619 1% 1/10W SM 0805 TA		PT1725	R619-C1-0805	0805	
4	R251 R253 R279 R281	52-3254	RES 634 1% 1/10W SM 0805 TA		PT1689	R634-C1-0805	0805	
2	R153 R195	52-3251	RES 7.5 1% 1/10W SM 0805 TA		PT1791	R7.5-C1-0805	0805	
6	RC1-6	32-3217	RIBBON CABLE 10 COND. .1" SPC 3.75" LNG		PT2341	RC10-323217	PA1X10-100-039	
4	SC1-4	34-0125	SWITCH CAP, BLACK, ROUND		PT1354	SC340125	SC340125-FPE	
24	SC5-28	34-0200-B	SWITCH CAP, LIGHTED, BLANK, dbx		PT1362	SC340200B	SC340200B	
2	SR1-2	28-0056	SCREW, 6-32, 1/2", POZI, PAN, BLACK		PT1229	SR280056	SR280056	
2	SR3-4	28-0059	SCREW, 6-32, 1/4", POZI PAN, BLACK		PT1678	SR280059	PCBNUL	
10	SW3 SW6 SW8 SW11 SW18 SW21 SW25 SW27-28 SW30	44-0050	SWITCH DPDT MINI IN-OUT 6 PIN E-SWITCH		PT1256	SW440050	SW440050	
4	SW9 SW19 SW26 SW29	44-0051	SWITCH, 4PDT, MINI IN-OUT, 12 PIN, E-SWITCH		PT1257	SW440051	SW440051	
2	SW15-16	44-0179	SWITCH, DPDT, MINI IN-OUT, MOMENTARY, 6 PIN		PT1793	SW440179	SW440179	
6	SW2 SW5 SW7 SW10 SW17 SW20 SW13 SW23	44-0180	SW 4PDT Mini In/Out 12 Pin MBB BK		PT2233	SW440180	SW440180	
2	TX1-2	44-0181	SWITCH 3 GANGED PUSHBUTTON 18 PN		PT2342	SW440181	SW440181	
1	U29	70-4123	OMIT, TRANSFORMER, OUTPUT, JT-123-DBX SAME AS RE-123-DBX (26-0112)		PT1215	TR260112-0	XFR-1	
1	U28	70-4124	V-REG, 7815, +15V, 1 AMP, TO-220		PT1592	U7815	TO220(IGO)-V	
2	U9 U17	72-1439	V-REG, 7915, -15V, 1 AMP, TO-220		PT1594	U7915	TO220(GIO)-V	
2	U5 U14	72-4331	IC, 5532MD, DUAL BIPOLAR OPAMP, SO8-200		PT1306	U5532MD-S	SO8-200	
2			IC, CA3046M, NPN TRANSISTOR ARRAY, SO14, T&R		PT1051	UCA3046M-S	SO14	

05-6330-E0

2	U8 U12	72-4062	IC, VCA, dbx V1 VCA	PT1052 UDBXV1	SIP8IC
2	U27 U30	70-4007	V-REG, LM317T, ADJ REG, 1.5 AMP, TO-220	PT1785 ULM317T	TO220(AOI)-V
2	U40-41	72-4034	IC, LM339, QUAD COMPARATOR, SO14, T&R	PT1048 ULM339-S	SO14
5	U2-3 U34 U37 U50	72-3201	IC LM833 DUAL OP-AMP SO8	PT2204 ULM833-S	SO8
2	U20 U60	72-4251	IC SSM2017 AUDIO PREAMPLIFIER DIP8-300	PT2352 USSM2017-D	DIP8-300
17	U4 U6-7 U10 U13	72-3200	IC TL072 DUAL LOW-NOISE JFET INPUT OP-AMP SO8	PT2268 UTL072-S	SO8
	U15-16 U18-19				
	U21-26 U33 U36				
2	TUBE1-2	76-0167	TUBE12AU7A DOUBLE TRIODE AMPLIFIER	PT2260 V12AU7A-760167	VAC
3	VR5 VR16 VR21	42-0235	POT 100K TRIM 10mm VER ADJ BK	PT2234 VR100K420235	VR10-V
2	VR8 VR11	40-2138	POT, 50K, B, 16mm, ROT, 15mm D-SHAFT, 41-CLICK	PT1068 VR50K402138	VR16-15DH
8	VR7 VR10 VR12-13	40-2155	POT 50K W 16mm ROT 15mm D H 41-CLK	PT2235 VR50K402155	VR16-15DH
	VR15 VR17-18 VR20				
2	VR14 VR19	40-2156	POT 50Kx2 C 16mm ROT15mm 41 CK D H BK	PT2238 VR50K402156	VR16X2-15DH
4	VR1-4	42-0221	POT, 50K, TRIM, HORIZONTAL MNT, VERT ADJUST, AMMO	PT1119 VR50K420221	VRTRIM1
2	VR6 VR9	40-2131	POT 5K 5C 16mm ROT 15mm D-SHAFT 41-CLICK	PT1797 VR5K402131	VR16-15DH
2	VS1-2	32-0249	SOCKET TUBE 9 PIN W/LED COUNTERSINK	PT2005 VTS320249	VTS
8	WA1-3 WA5-6 WA9	28-0187-A	WASHER, GROUNDING FOR 32-0118/32-0119	PT1361 WA280187A	WA280187A
	WA12-13				