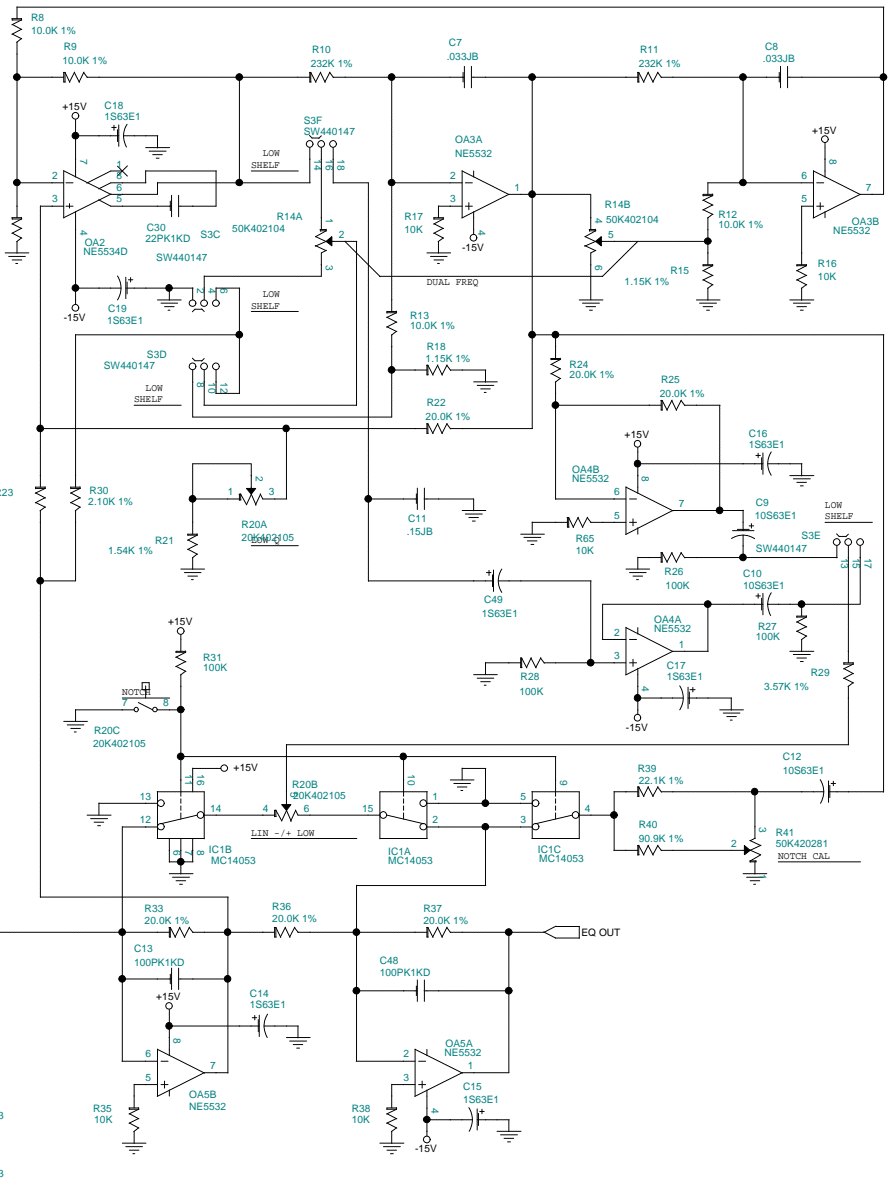
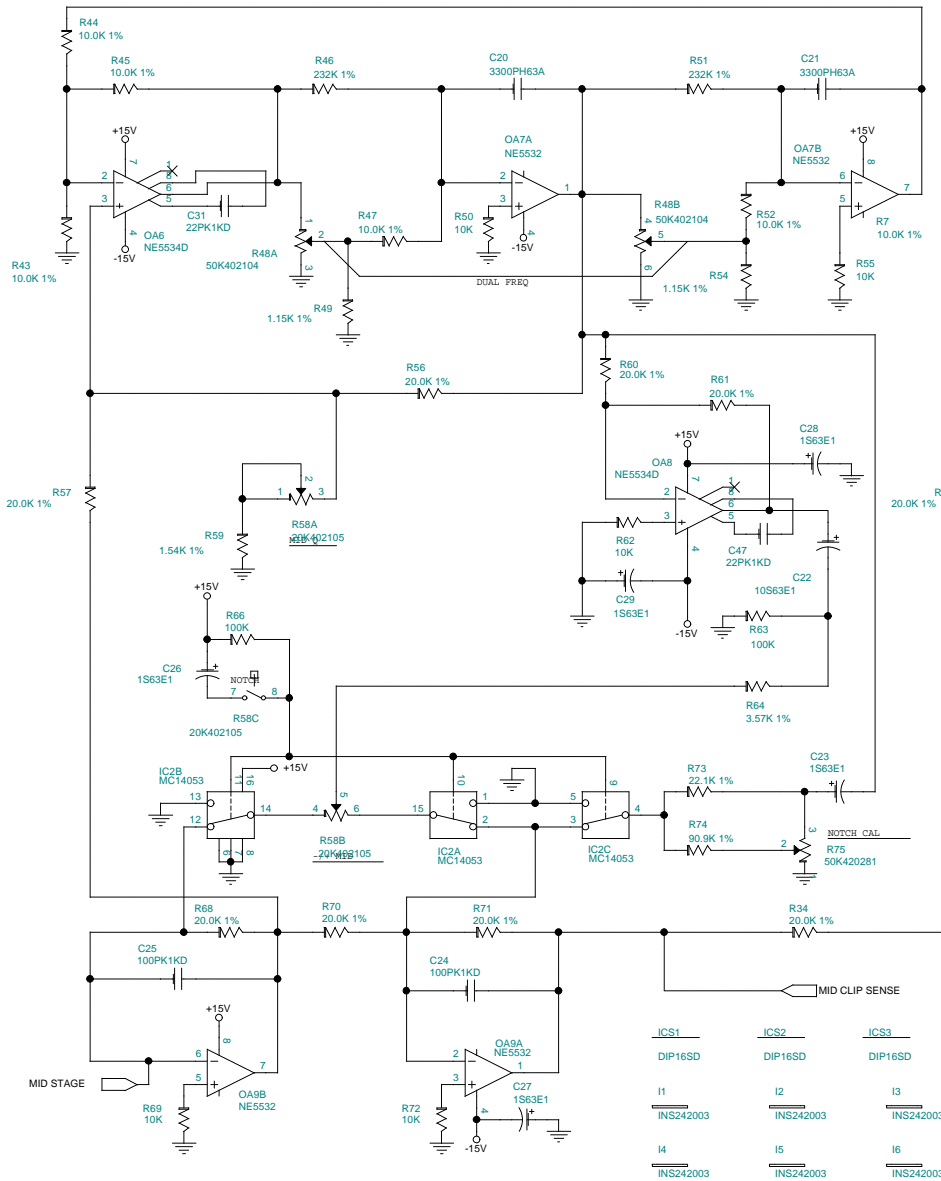


dbx PROFESSIONAL PRODUCTS
 8760 South Sandy Parkway
 Sandy, Utah 84070
 Title: DBX 905 PCA PARAMETRIC EQ 80-6174
 Size B Document Number 056174A0.001 Rev A0
 Date: Wednesday, October 20, 1999 Sheet 1 of 2

MID (200 - 5KHZ)

LOW (20 - 500HZ)



- ICS1 DIP16SD
- ICS2 DIP16SD
- ICS3 DIP16SD
- I1 INS242003
- I2 INS242003
- I3 INS242003
- I4 INS242003
- I5 INS242003
- I6 INS242003

PCB1
80-6174-A

dbx PROFESSIONAL PRODUCTS	
8760 South Sandy Parkway Sandy, Utah 84070	
Title DBX 905 PCA PARAMETRIC EQ 80-6174	
Size B	Document Number 056174A0.002
Date Wednesday, October 20, 1999	Sheet 2 of 2
Rev A0	

DBX 905 PCA PARAMETRIC EQ 80-6174 Revised: April 6, 1995
 056174A0.000 Revision: A0

Bill Of Materials April 6, 1995 10:05:25

Quan	Reference	Part	SYMAN	Description
8	C1,C2,C13,C24,C25,C38, C39,C48	100PK1KD	62-3040	100 pF Cap 1KV 10% Ceramic Disc
6	C3,C4,C9,C10,C12,C22	10S63E1	60-0320	10 uF Cap 63V -20/+80% Alum, Rad T&R
23	C5,C6,C14,C15,C16,C17, C18,C19,C23,C26,C27,C28, C29,C34,C35,C37,C40,C41, C42,C44,C45,C49,C50	1S63E1	60-0316	1 uF Cap 63V -20/+100% Alum Rad T&R
2	C7,C8	.033JB	56-5007	.033 uF Cap 100V 5% M/Plyes Rad
1	C11	.15JB	56-5011	.15 uF Cap 100V 5% M/Plyes Rad
2	C20,C21	3300PH63A	62-3100	3300 pF Cap 63V 2.5% Polyester
4	C30,C31,C43,C47	22PK1KD	62-3034	22 pF Cap 1KV 10% Ceramic Disc
2	C32,C33	1000PF500F	62-3019	1000 pF Cap 500V 1% Mica Film
1	C36	4700PH160A	62-3118	4700 pF Cap 160V 2.5% Ceramic Disc Axial
1	C46	.001K1KD1	62-3051	.001 uF Cap 1KV 10% Ceramic Disc Ammo T&R
2	CR1,CR2	1N4004	70-0009	1N4004 Rect 1A 400V
3	CR3,CR5,CR6	LEDR702098	70-2098	Red Light Emitting Diode, T1 Case
8	CR8,CR9,CR10,CR11,CR12, CR13,CR14,CR15	1N4148	70-0002	1N4148 Diode Silicon Switching, 75 Volts PIV
6	I1,I2,I3,I4,I5,I6	INS242003	24-2003	Heat shrink Tubing, #22 AWG,Black Teflon
3	IC1,IC2,IC3	MC14053	72-4150	MC14053, Analog Multiplexer/switch
3	ICS1,ICS2,ICS3	DIP16SD	70-3047	16 Pin Dip Socket, DBX
1	J2	HCN323160	32-3160	10 Pin conn.
1	OA1	LF351	72-4318	LF351 Wide Bandwidth JFET Input OP-AMP
4	OA2,OA6,OA8,OA10	NE5534D	72-4310	NE5534 Low Noise OP AMP
8	OA3,OA4,OA5,OA7,OA9,OA11, OA12,OA13	NE5532	72-4316	5532 Low Noise Dual Op-Amp
1	OA14	LM339D	72-4306	LM339 Quad Comparator
1	P1	PA15	----	15 Pin Pad Pattern, Not a part
2	P2,P3	PA1	----	1 Pin Pad Pattern, Not a part
1	PCB1	80-6174-A		
2	R1,R6	1K	50-0012	1 KOhm Resistor 5% 1/4 Watt Carbon Film
15	R2,R4,R7,R8,R9,R12,R13, R43,R44,R45,R47,R52,R77, R78,R79	10.0K 1%	52-0107	10.0 KOhm Resistor 1% 1/4 Watt Metal Film
2	R3,R5	7.50K 1%	52-2090	7.50 KOhm Resistor 1% 1/4 Watt Metal Film
4	R10,R11,R46,R51	232K 1%	52-2214	232 KOhm Resistor 1% 1/4 Watt Metal Film
3	R14,R48,R82	50K402104	40-2104	50 K "10R"16mm Rot Pot X2, 71mm Shaft, Horiz
6	R15,R18,R49,R54,R83,R88	1.15K 1%	52-2024	1.15 KOhm Resistor 1% 1/4 Watt Metal Film
23	R16,R17,R35,R38,R50,R55, R62,R65,R69,R72,R84,R89, R96,R105,R111,R118,R119, R120,R121,R122,R123,R124, R125	10K	50-0020	10 KOhm Resistor 5% 1/4 Watt Carbon Film
1	R19	1.5K	50-0204	1.5 KOhm Resistor 5% 1/4 Watt Carbon Film
3	R20,R58,R91	20K402105	40-2105	20 K "D" 16mm Rot Pot X2, I-84mm,O-71mm Shaft, w/sw, Horiz
3	R21,R59,R92	1.54K 1%	52-0143	1.54 KOhm Resistor 1% 1/4 Watt Metal Film
24	R22,R23,R24,R25,R33,R34, R36,R37,R56,R57,R60,R61, R67,R68,R70,R71,R90,R93, R94,R95,R103,R104,R106,	20.0K 1%	52-0091	20.0 KOhm Resistor 1% 1/4 Watt Metal Film

056174a0

R107
12 R26,R27,R28,R31,R32,R63, 100K 50-0036 100 KOhm Resistor 5% 1/4 Watt Carbon Film
DOD Software
DBX 905 PCA PARAMETRIC EQ 80-6174 Revised: April 6, 1995 Page
056174A0.000 Revision: A0
Bill Of Materials April 6, 1995 10:05:25
Quan Reference Part SYMAN Description

R66,R97,R98,R101,R117,
R126
3 R29,R64,R100 3.57K 1% 52-0123 3.57 KOhm Resistor 1% 1/4 Watt Metal Film
2 R30,R53 2.10K 1% 52-0184 2.10 KOhm Resistor 1% 1/4 Watt Metal Film
3 R39,R73,R108 22.1K 1% 52-0089 22.1 KOhm Resistor 1% 1/4 Watt Metal Film
3 R40,R74,R109 90.9K 1% 52-0066 90.9 KOhm Resistor 1% 1/4 Watt Metal Film
3 R41,R75,R110 50K420281 42-0281 50 K Trim Pot, Horizontal Mount, Carbon, 1T
2 R80,R85 200K 1% 52-0276 200 KOhm Resistor 1% 1/4 Watt Metal Film
2 R81,R86 8.25K 1% 52-0152 8.25 KOhm Resistor 1% 1/4 Watt Metal Film
1 R99 1M 50-0045 1 MOhm Resistor 5% 1/4 Watt Carbon Film
1 R113 2.2K 50-0208 2.2 KOhm Resistor 5% 1/4 Watt Carbon Film
1 R114 10M 50-0060 10M MOhm Resistor 5% 1/4 Watt Carbon Film
2 R115,R127 100K 1% 52-0305 100 KOhm Resistor 1% 1/4 Watt Metal Film
1 R116 536K 1% 52-0235 536 KOhm Resistor 1% 1/4 Watt Metal Film
1 S1 SW440146 44-0146 4PDT Push-Push Switch
2 S2,S3 SW440147 44-0147 6PDT Switch, Soft Touch