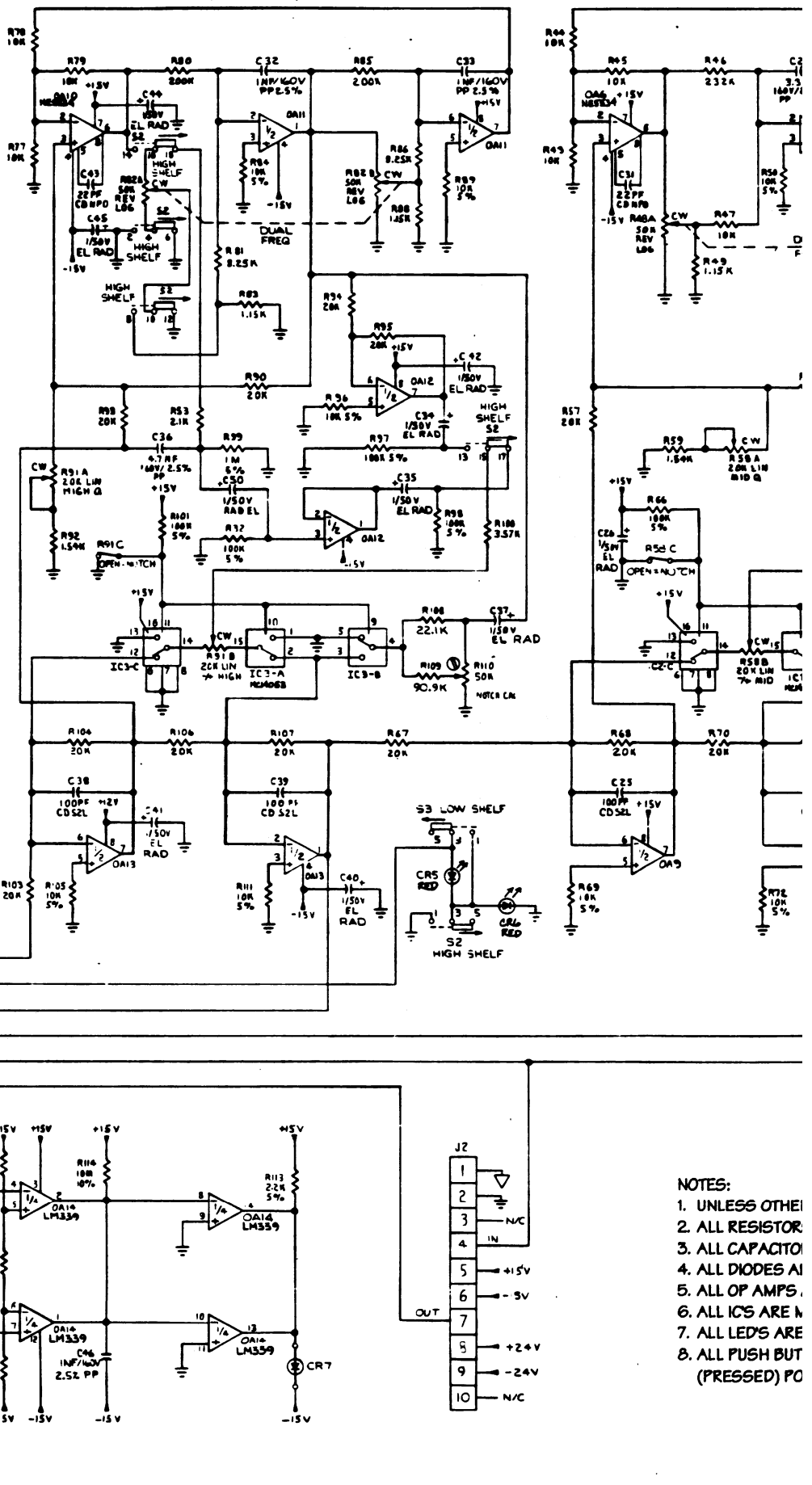
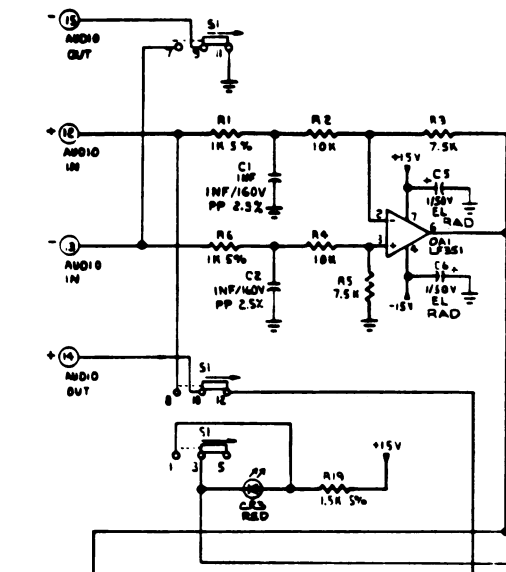
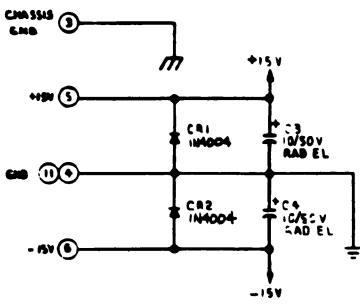
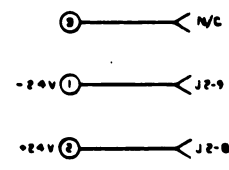


HIGH (800-20KHz)

MID (2)



- NOTES:
1. UNLESS OTHERWISE SPECIFIED
 2. ALL RESISTORS ARE 5% TOLERANCE
 3. ALL CAPACITORS ARE 5% TOLERANCE
 4. ALL DIODES ARE 1N4004
 5. ALL OP AMPS ARE LM359
 6. ALL ICs ARE NEW
 7. ALL LEDs ARE CR7
 8. ALL PUSH BUT (PRESSED) PO

