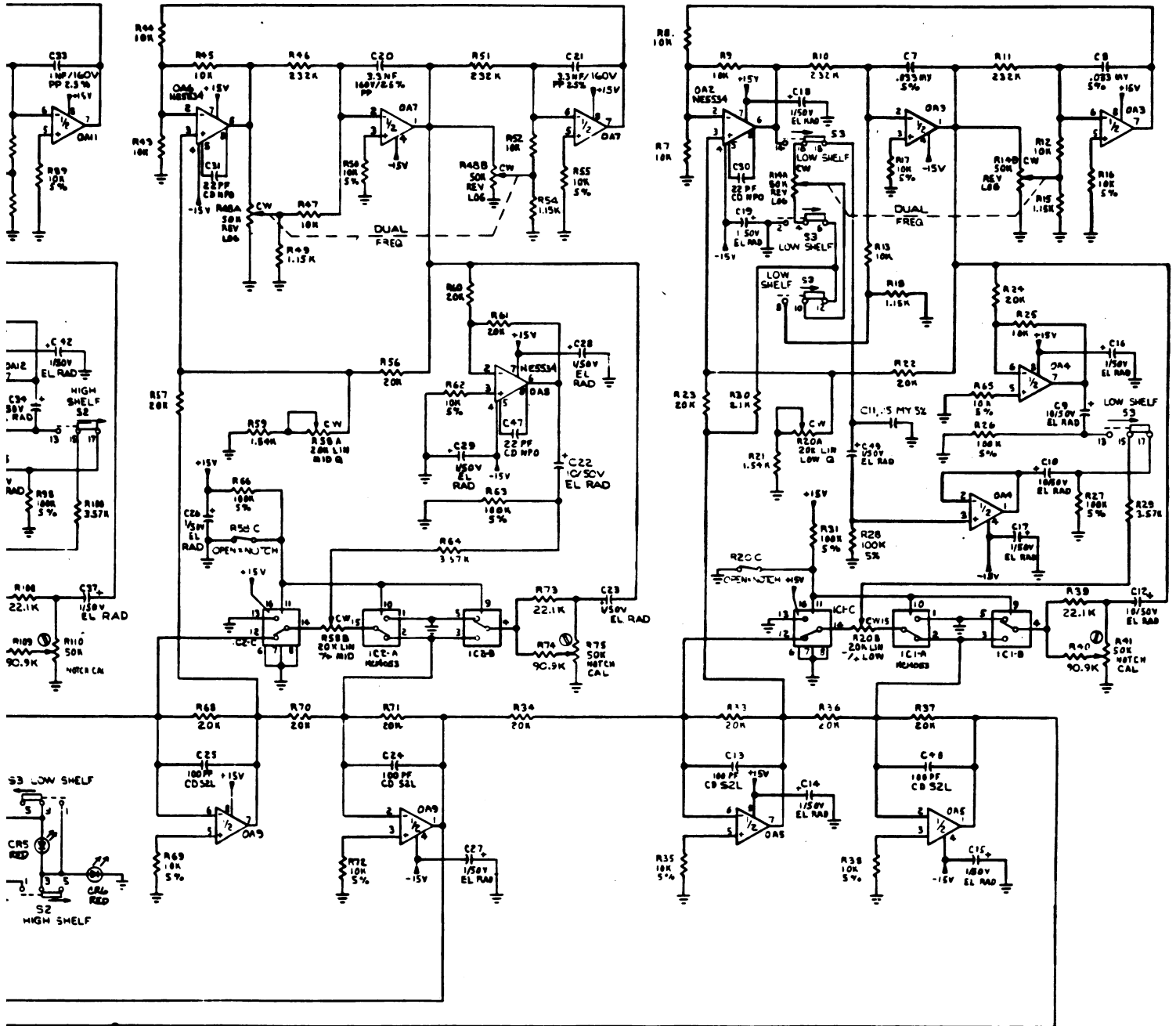


MID (200 - 5KHz)

LOW (20 - 500Hz)



NOTES:

1. UNLESS OTHERWISE SPECIFIED:
2. ALL RESISTORS ARE EXPRESSED IN OHMS AND ARE 1/4W 1%.
3. ALL CAPACITORS ARE EXPRESSED IN MICROFARADS
4. ALL DIODES ARE IN4148
5. ALL OP AMPS ARE ME5532
6. ALL IC'S ARE MC14053BCP
7. ALL LED'S ARE RED
8. ALL PUSH BUTTON SWITCHES ARE SHOWN IN THE "IN" (PRESSED) POSITION

