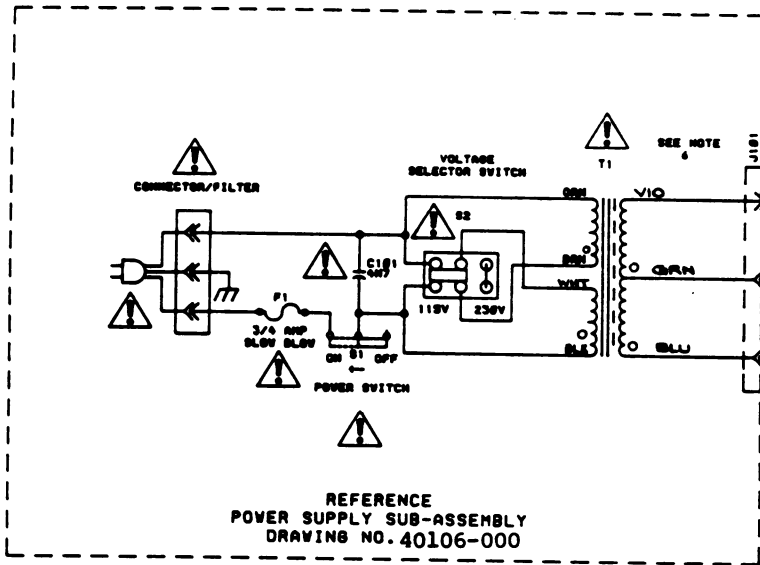




COMPONENTS MARKED WITH THIS SYMBOL HAVE CRITICAL SPECIFICATIONS IMPORTANT FOR PROTECTION FROM FIRE AND ELECTRICAL SHOCK HAZARDS. WHEN SERVICING, IT IS ESSENTIAL THAT ONLY MANUFACTURER'S SPECIFIED PARTS BE USED FOR REPLACEMENT. PRIOR TO THE RETURN OF THIS APPLIANCE TO THE CUSTOMER, AND UPON COMPLETION OF SERVICING, SERVICE PERSONNEL ARE REQUIRED TO TEST THIS UNIT FOR ADEQUATE INSULATION RESISTANCE BETWEEN THE POWER SUPPLY AND EXPOSED PARTS.



NOTES:

UNLESS OTHERWISE SPECIFIED:

1. ALL RESISTORS ARE EXPRESSED IN OHMS AND ARE 1/4W, 5%.
2. ALL CAPACITORS ARE EXPRESSED IN MICROFARADS.
3. ALL RAD EL CAPACITORS ARE +/-20%.
- * 4. DENOTES DEVICE ATTACHED TO HEATSINK.
5. REFERENCE LED CONNECTOR AND CABLE ASSEMBLY DRAWING NO. 40104-000
6. REFERENCE TRANSFORMER AND CONNECTOR ASSEMBLY NO. 40105-000
7. REFERENCE CONNECTOR AND CABLE ASSEMBLY NO. 43017-000

