

AMR 24

Schematics

Klark Teknik Building
Walter Nash Road
Kidderminster
Worcestershire
DY11 7HJ

Tel: +44 (0) 1562 741515

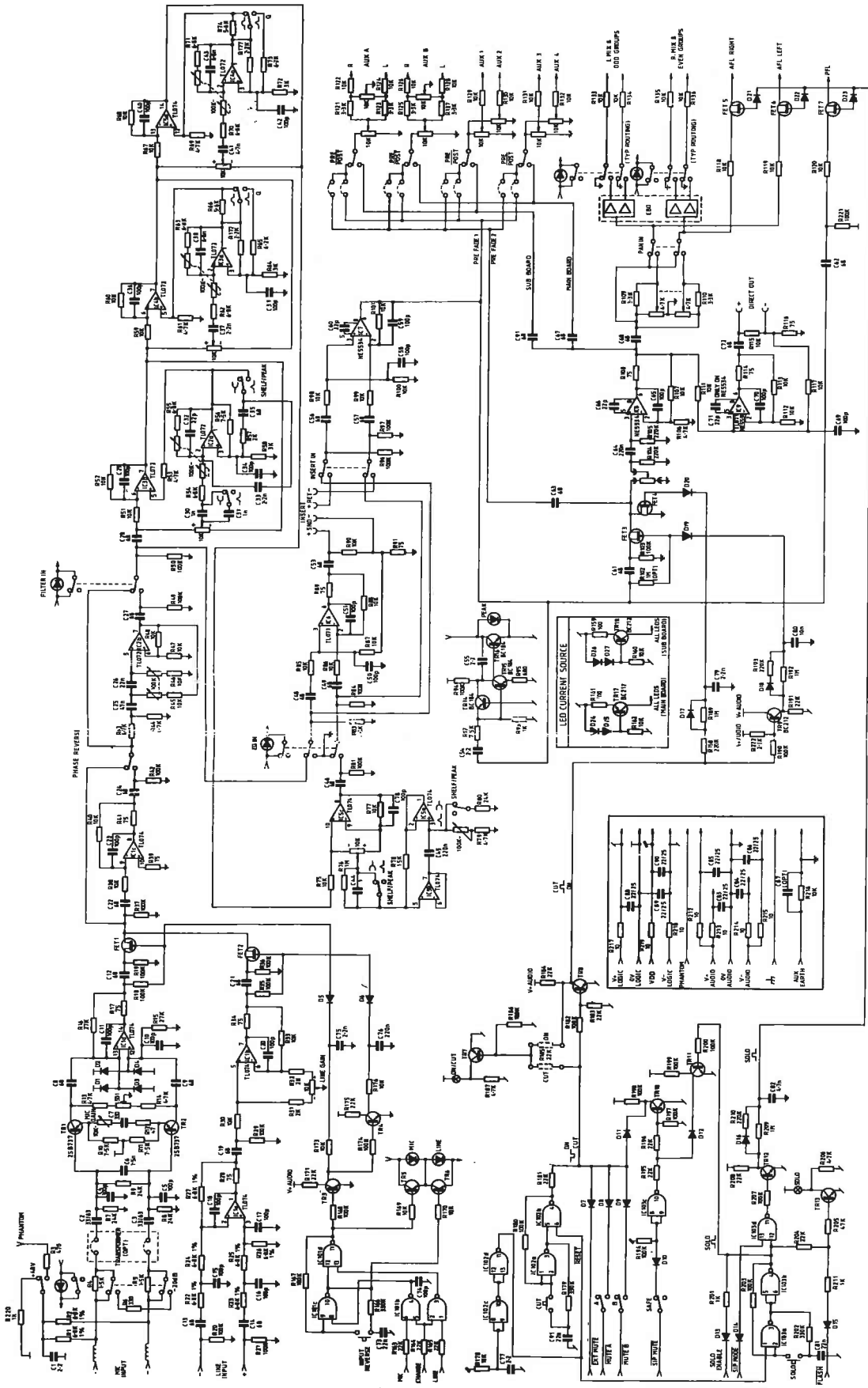
Fax: +44 (0) 1562 745371

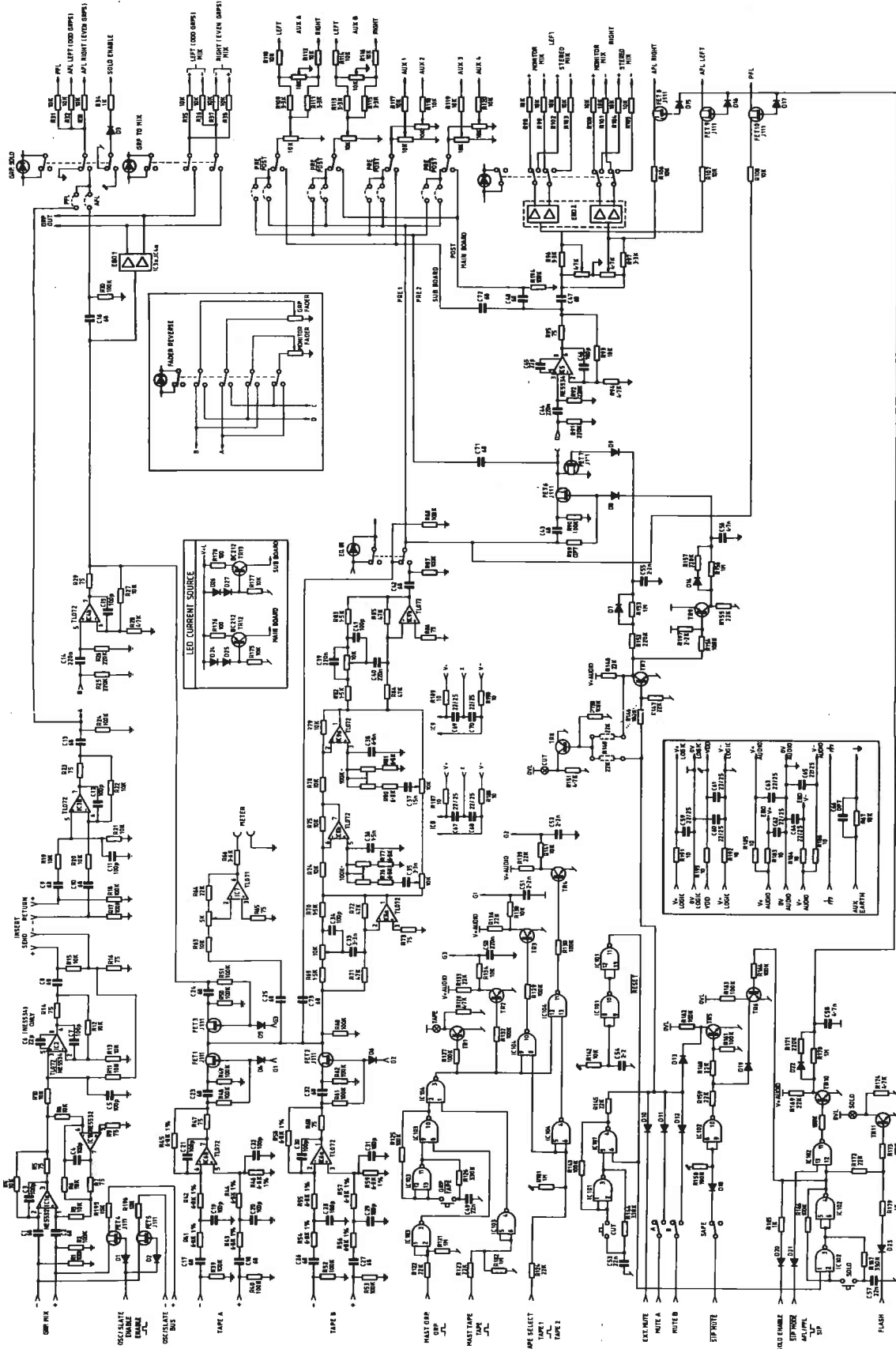
Email: info@uk.telex.com

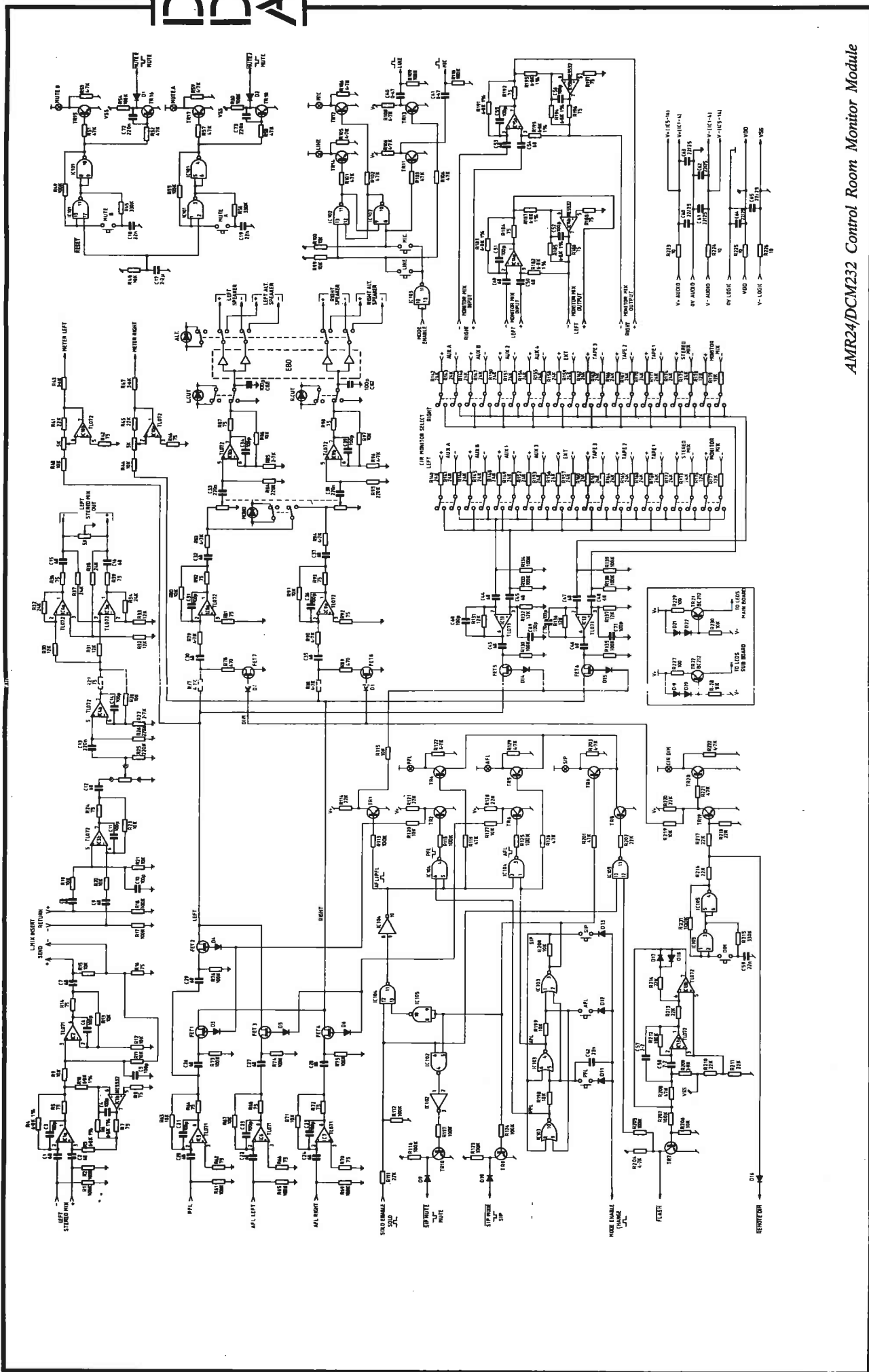
Website: www.ddaconsole.com

AMR24 Schematics
© Telex Communications (UK) Limited

In line with the company's policy of continual improvement, specifications and function maybe subject to change without notice. This Operator Manual was correct at the time of writing. E&OE.

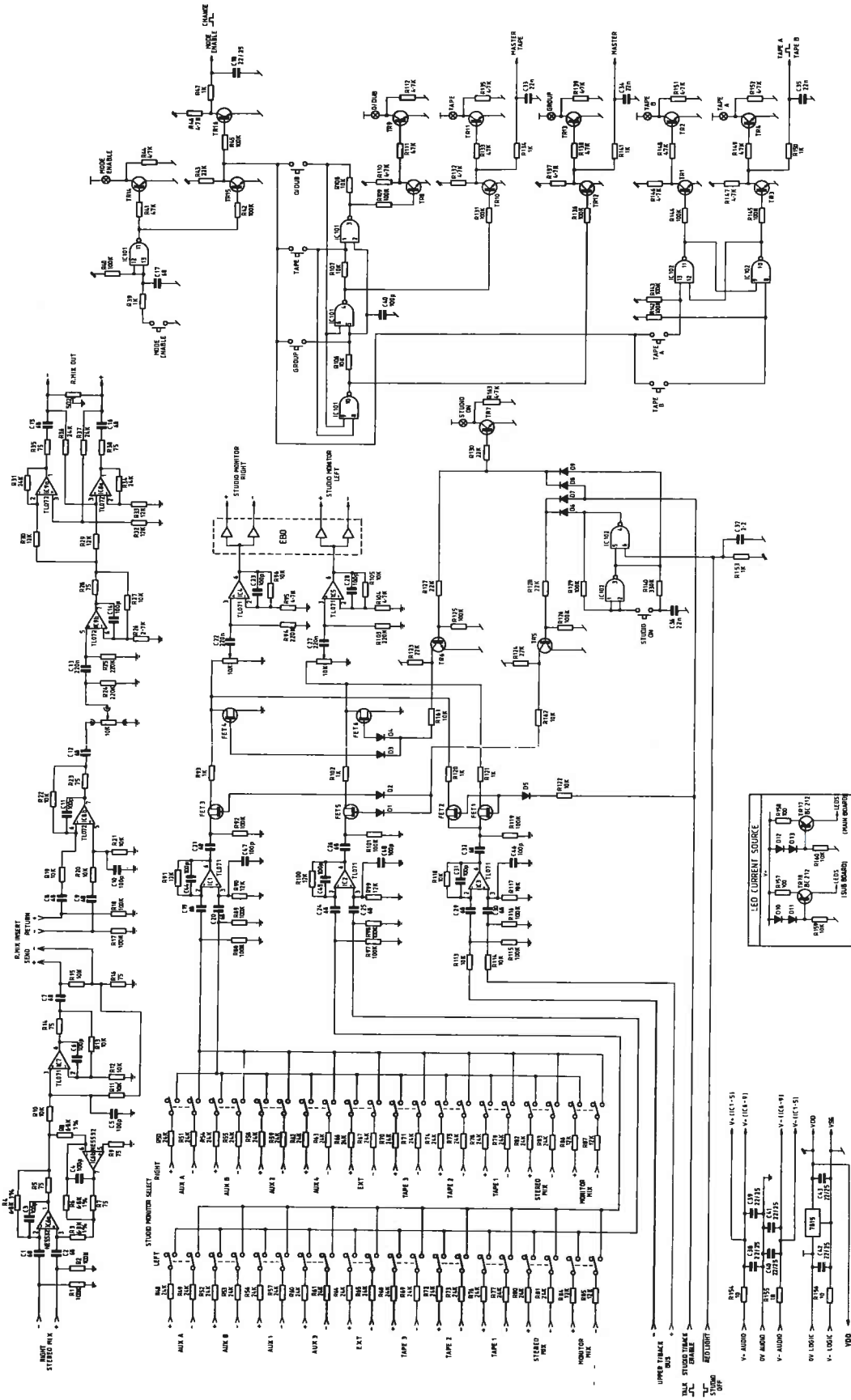




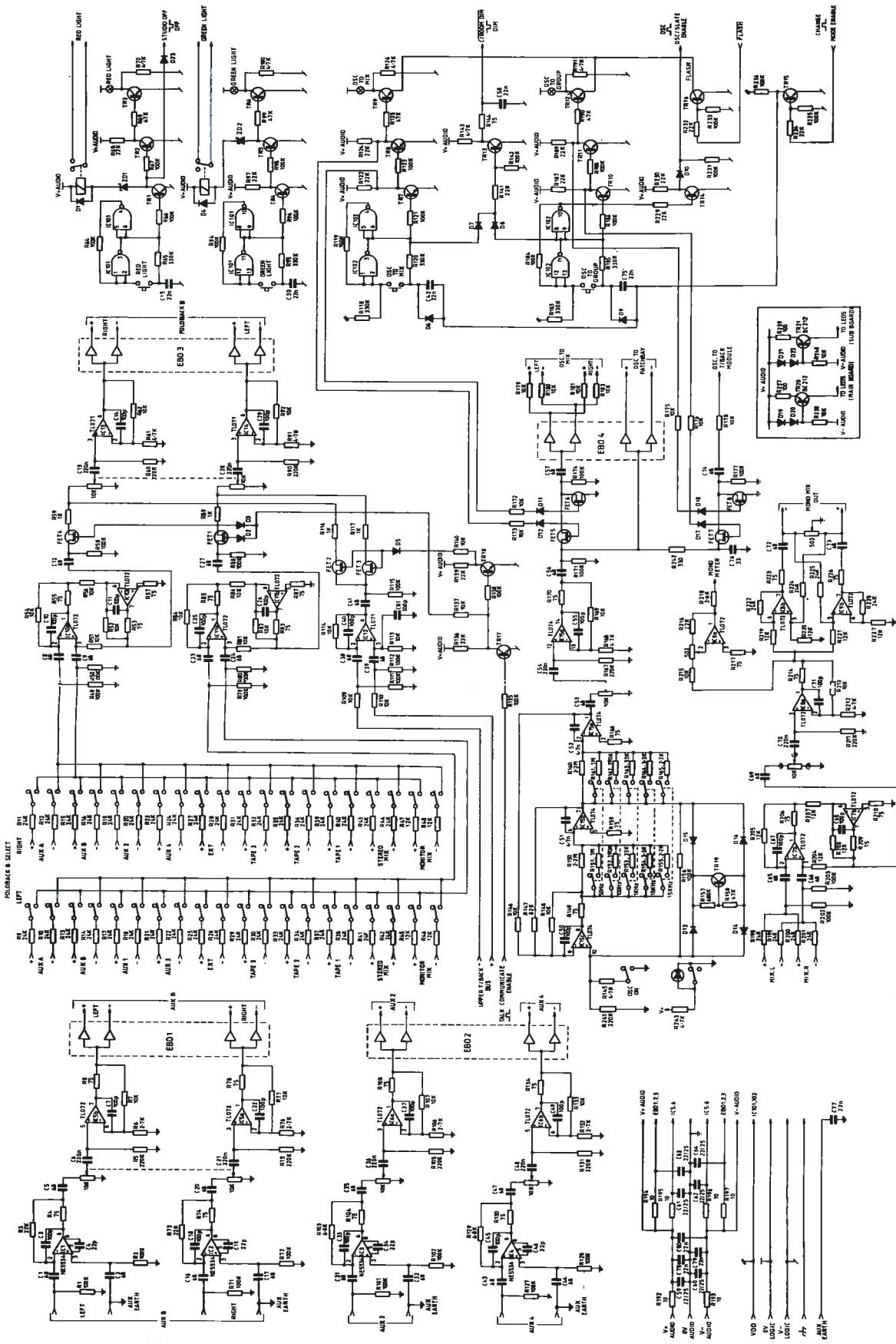


AMR24/DCM232 Control Room Monitor Module

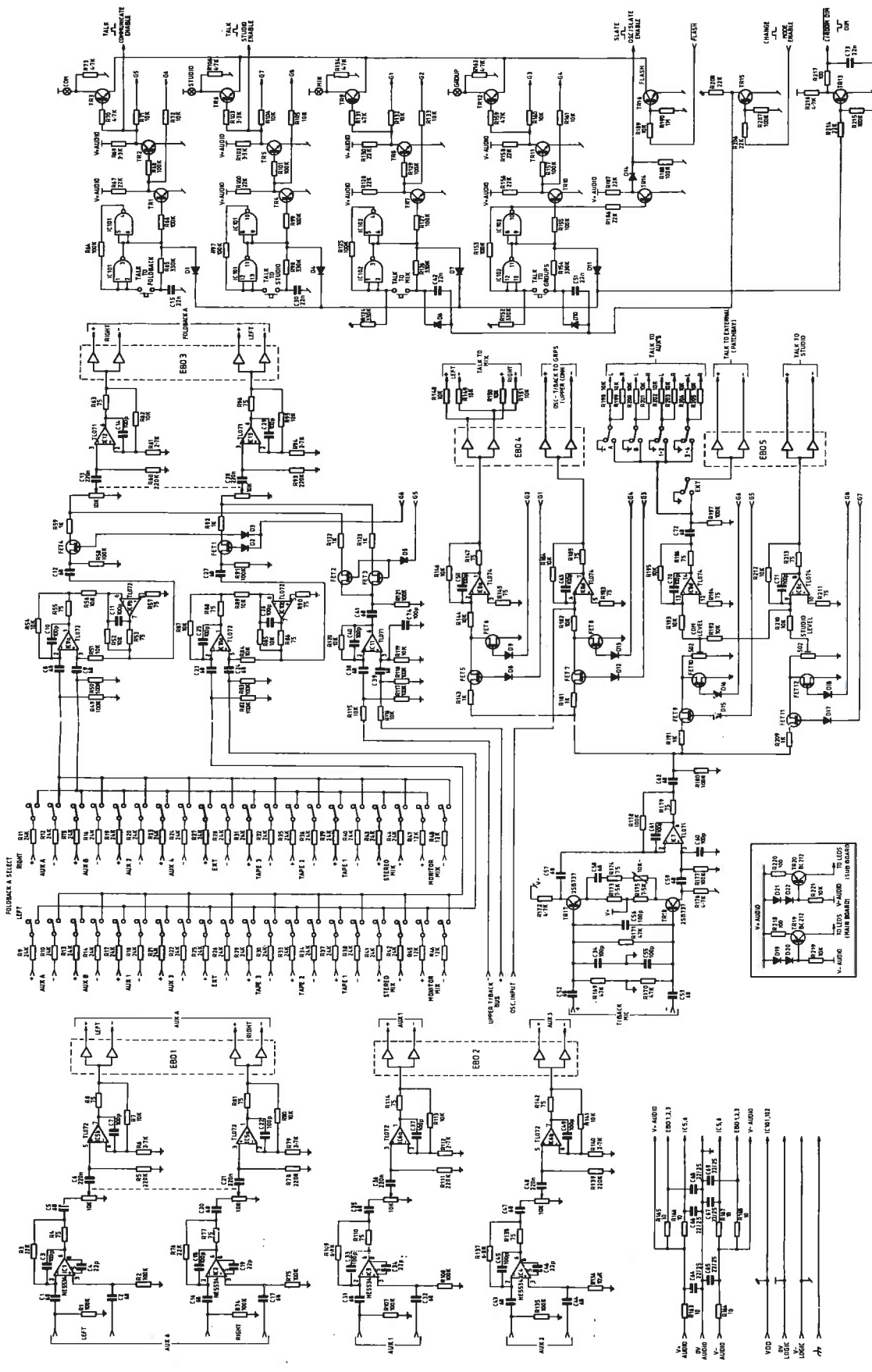
DDA



AMR24/DCM232 Studio Monitor Module



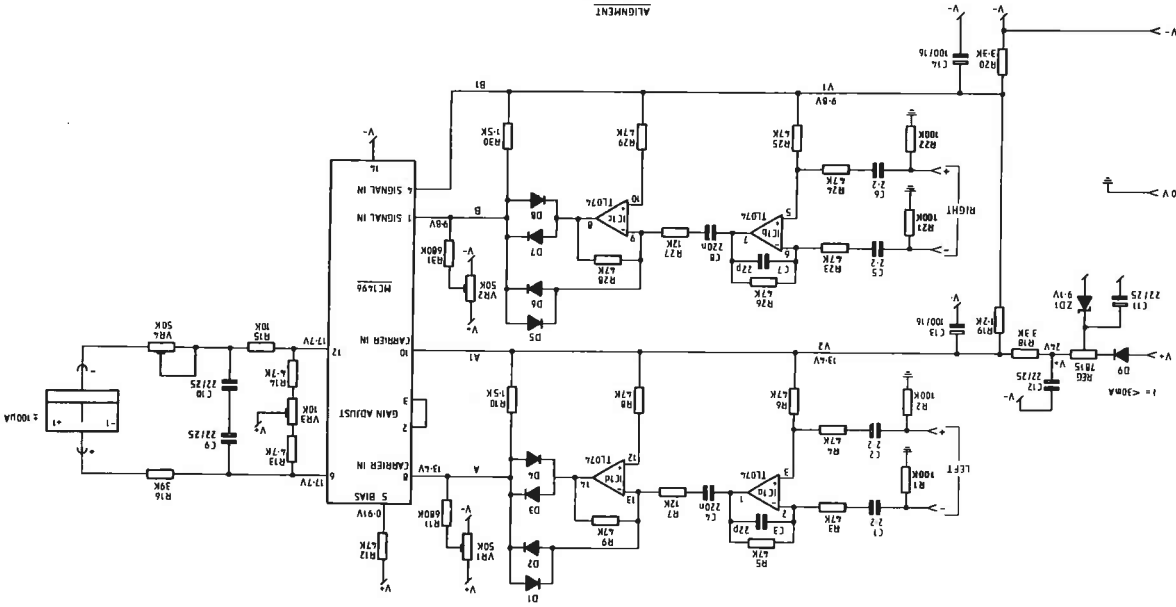
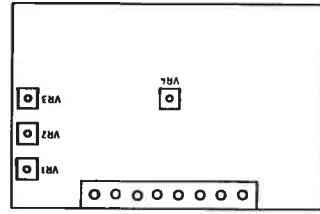
DDA



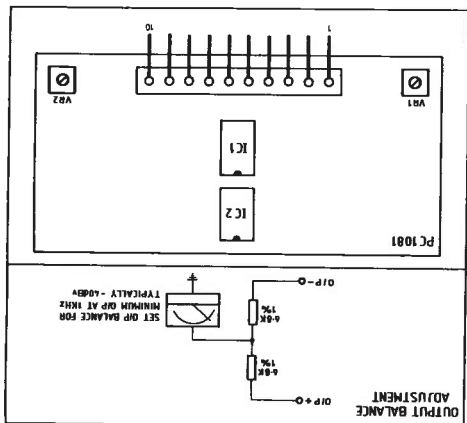
AMR24/DCM232 Talkback Module

Phase Meter Circuit Diagram

- ALIGNMENT
1. ADJUST VR1 FOR SAME VOLTAGE AT 'A' AND 'B'.
 2. ADJUST VR2 FOR SAME VOLTAGE AT 'B' AND 'C'.
 3. ADJUST VR3 FOR CENTRE READING ON METER (0).
 4. ADJUST VR4 FOR FSD WITH 0DBY ON BOTH INPUTS (1.0 ON METER).
 5. REVERSE PHASE OF 1 INPUT AND CHECK METER.
 6. READS MINIMUM (-1).

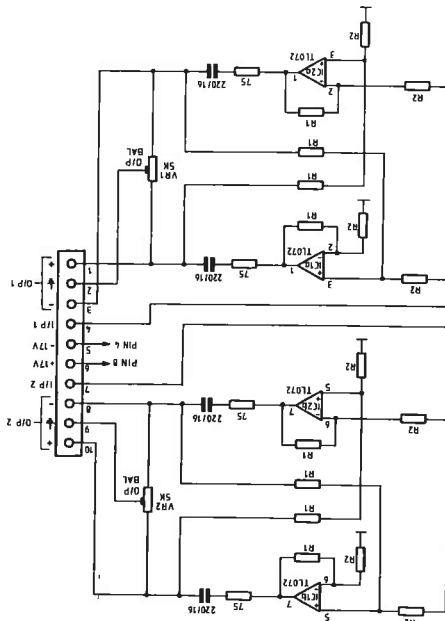


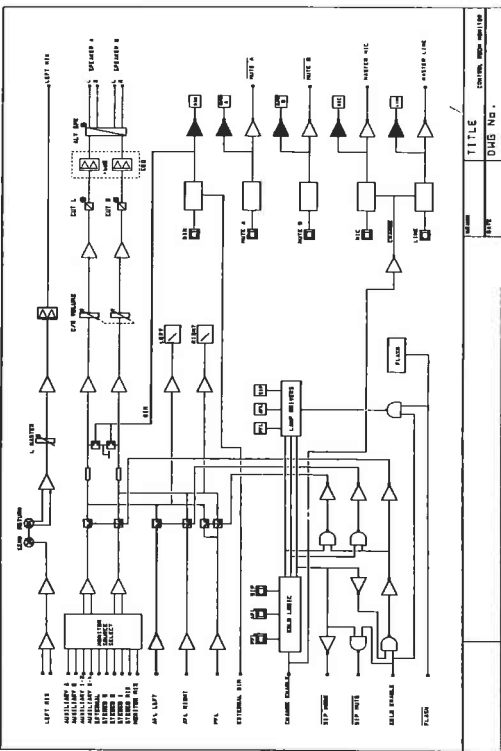
EBO Circuit Diagram



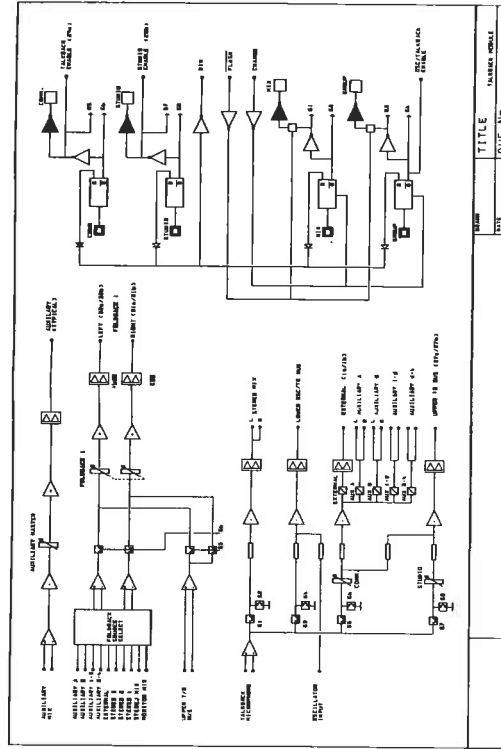
GAIN = $R2 / R1 = 6dB$
 FOR MIX BUS BALANCING
 $R1 = 36K$
 $R2 = 18K$
 FOR OUTPUT BALANCING
 $R1 = 10K$
 $R2 = 4.7K$

OUTPUT BALANCE ADJUSTMENT
 SET O/P BALANCE FOR MINIMUM O/P AT 10Hz
 TYPICALLY - 40dBV

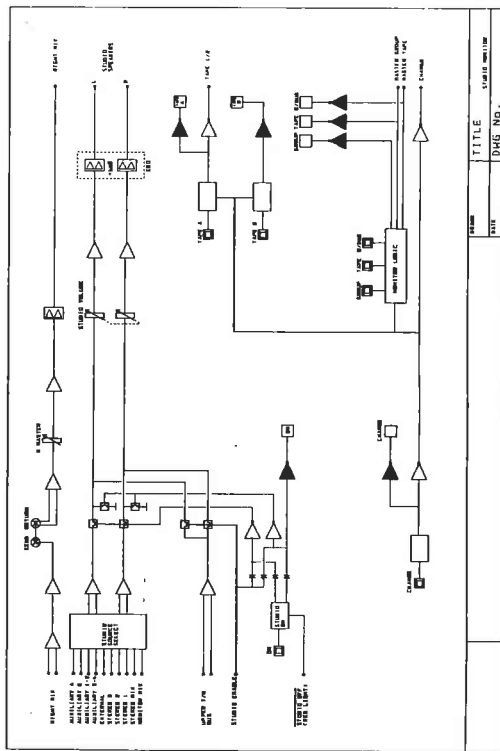




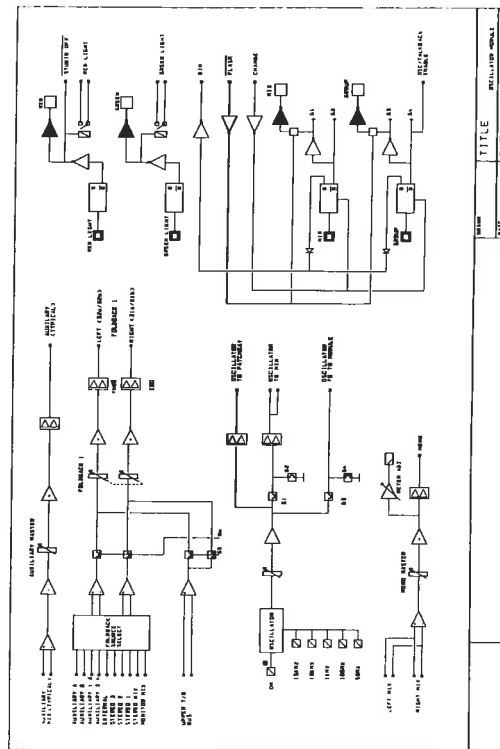
| | | |
|------|-------------|--------|
| NAME | TITLE | NUMBER |
| TYPE | DESCRIPTION | DATE |
| | DWG NO. | |



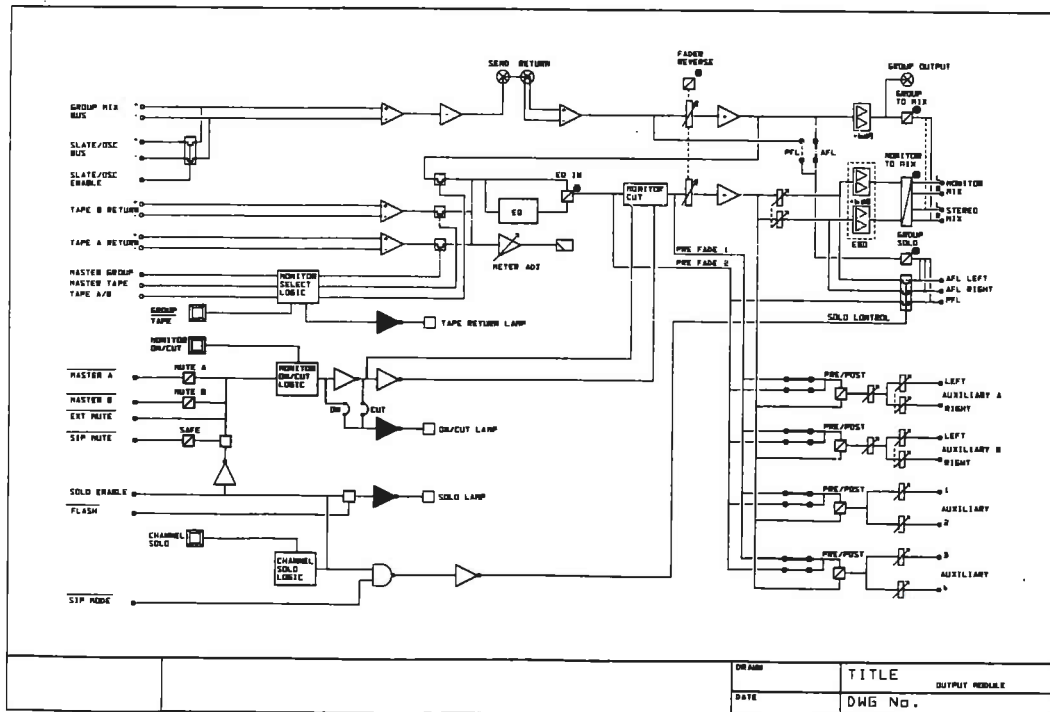
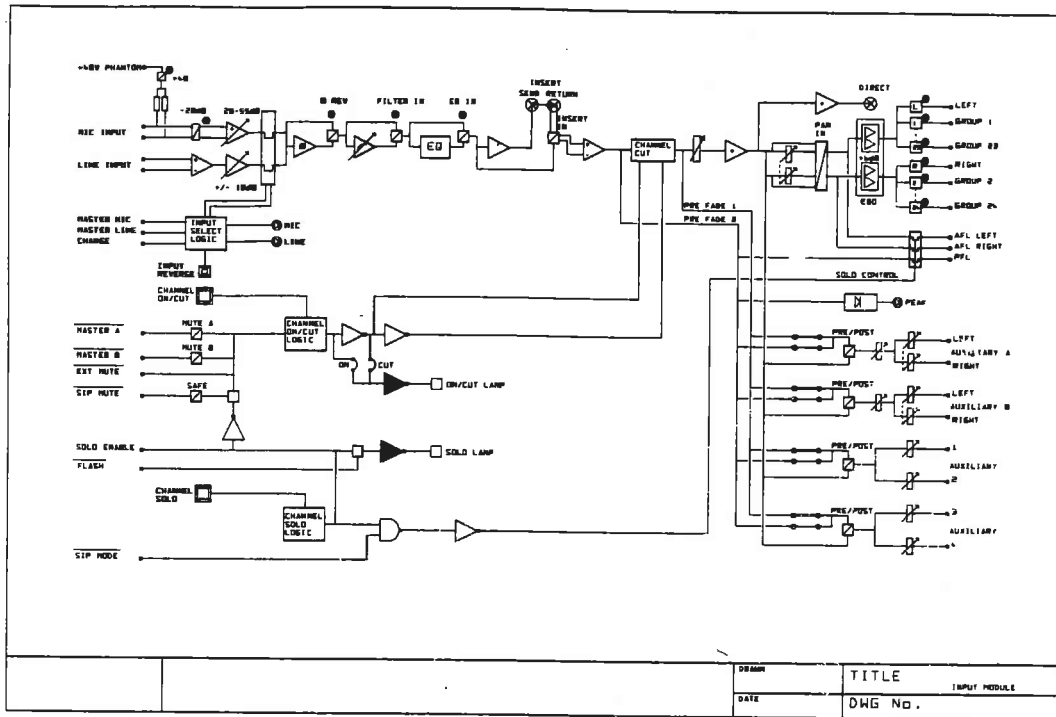
| | | |
|------|-------------|--------|
| NAME | TITLE | NUMBER |
| TYPE | DESCRIPTION | DATE |
| | DWG NO. | |



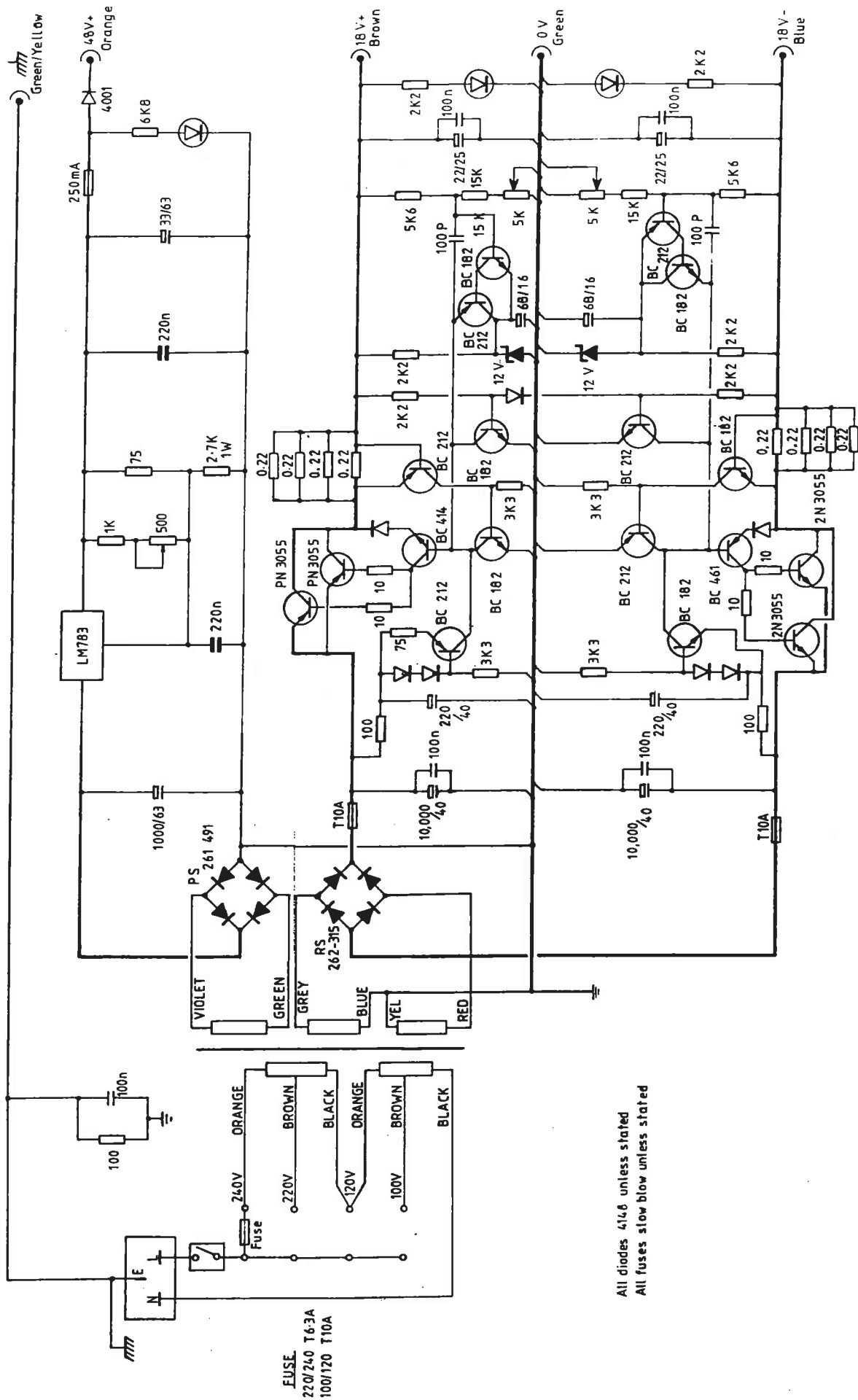
| | | |
|------|-------------|--------|
| NAME | TITLE | NUMBER |
| TYPE | DESCRIPTION | DATE |
| | DWG NO. | |



| | | |
|------|-------------|--------|
| NAME | TITLE | NUMBER |
| TYPE | DESCRIPTION | DATE |
| | DWG NO. | |



AMR24 Input & Output Modules
Block Diagrams



FUSE
 220/240 T6-3A
 100/120 T10A

All diodes 4146 unless stated
 All fuses slow blow unless stated

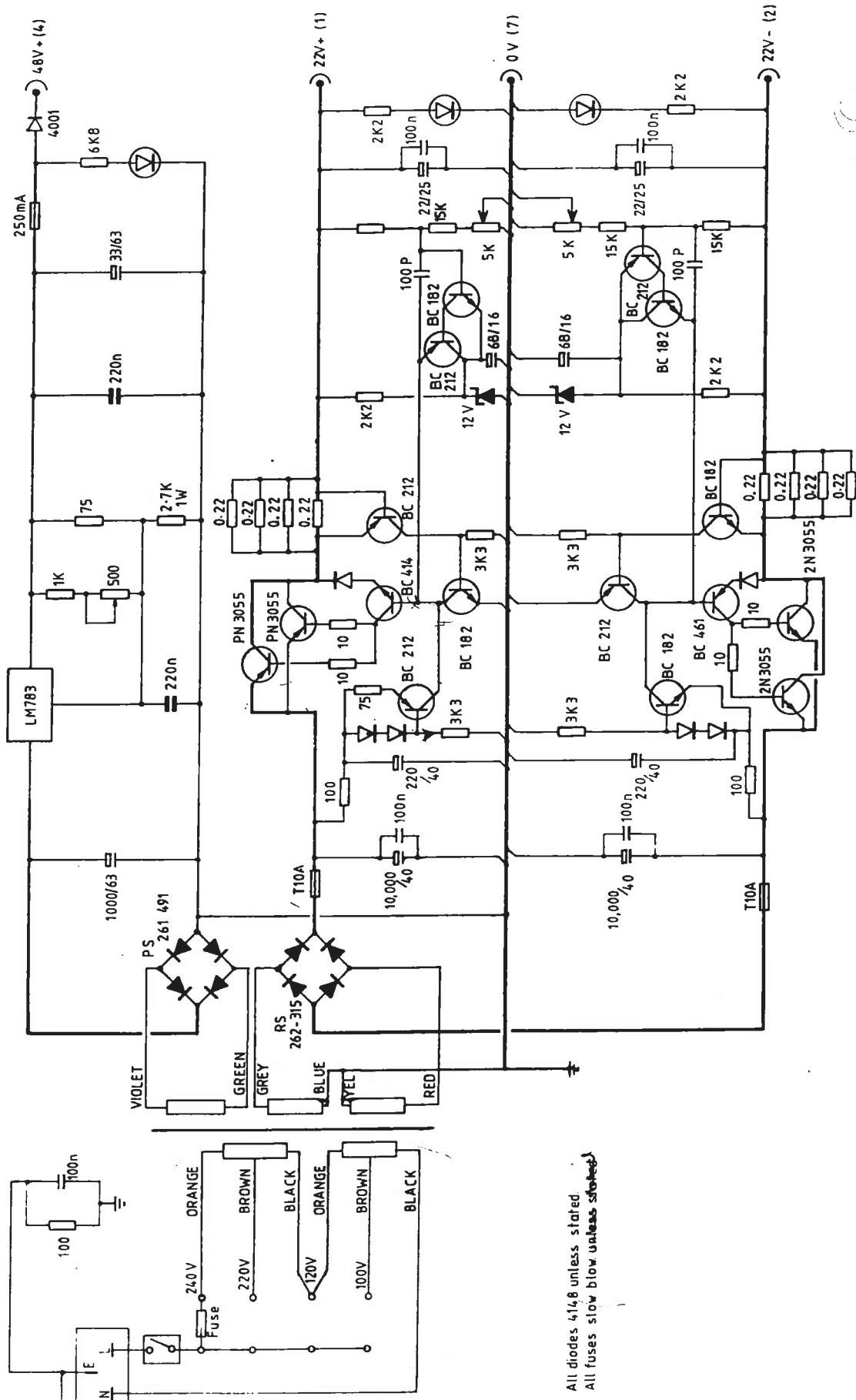
| REVISIONS | No. | DESCRIPTION | CHKD/APPD | DATE |
|-----------|-----|-------------|-----------|------|
| | | | | |
| | | | | |
| | | | | |

TITLE

AMR24
 AUDIO PSU

| DRAWN | TRACED | CHECKED | APPROVED | DATE | SCALE |
|-------|--------|---------|----------|------|-------|
| m.m. | | | | | |

DRAWING No. CD1029



All diodes 414,8 unless stated
All fuses slow blow unless stated

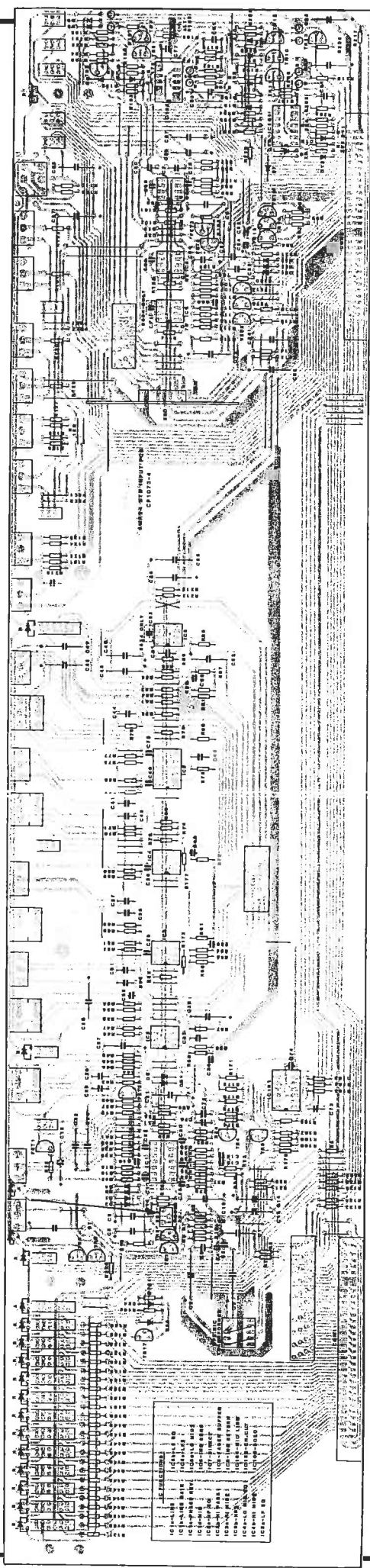
U.S.E.
2420 763AA
160/120 T10A

| DESCRIPTION | CHKD | APPD | DATE | TITLE | DRAWN | TRACED | CHECKED | APPROVED | DATE | SCALE |
|-------------|------|------|------|--------------------|-------|--------|---------|----------|------|-------|
| | | | | AMR24 LOGIC PSU | m.m. | | | | | |

DRAWING No. CD1028

PDA

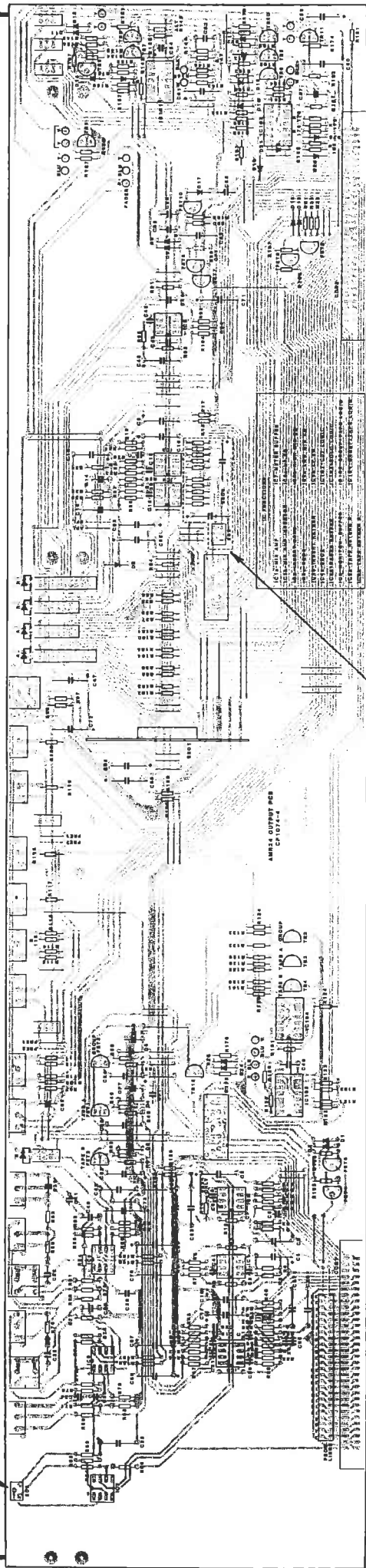
Common mode adjust



AMR24 Input Module

DDA

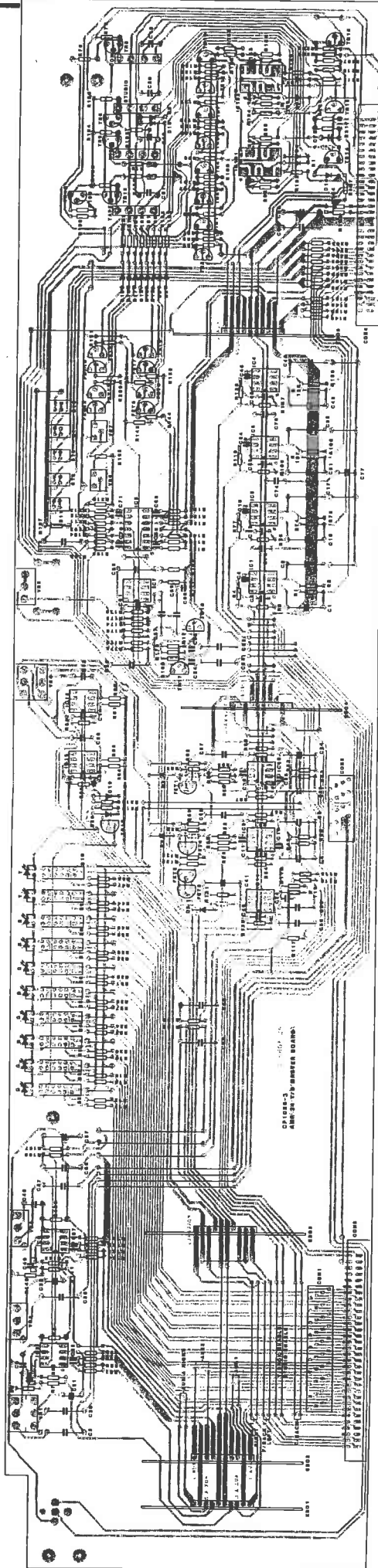
Group meter trim



Group output balance adjust

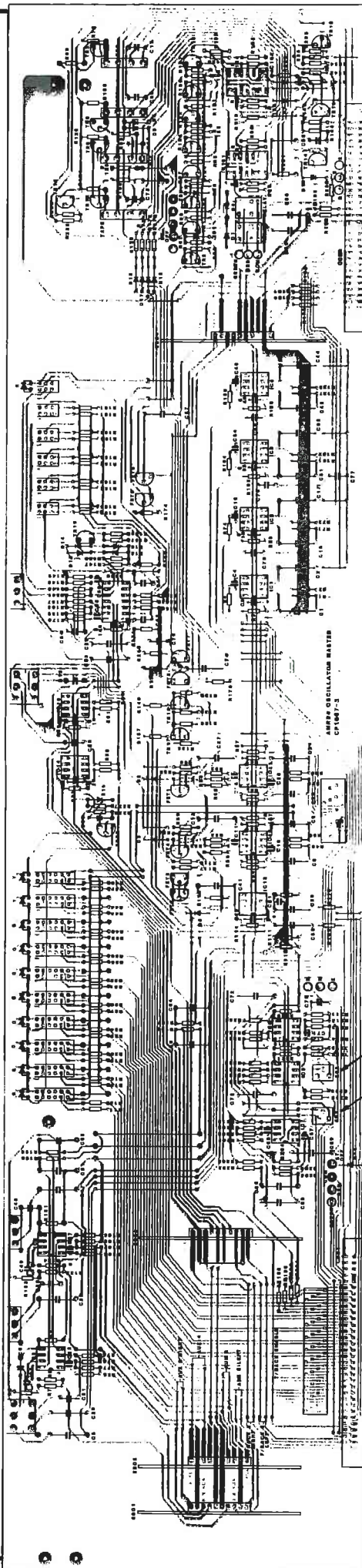
AMR24 Output Module

IDA

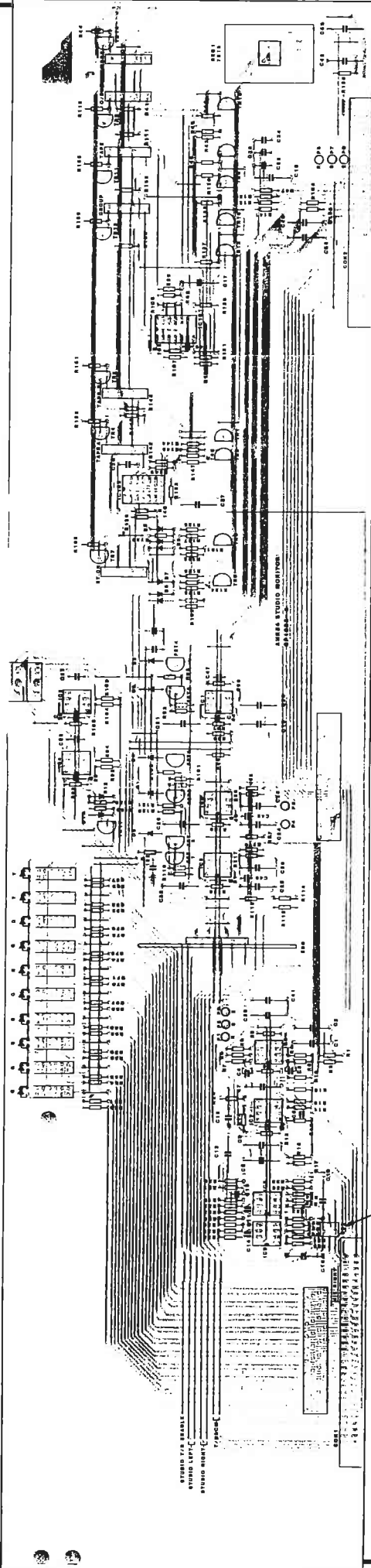


AMR/DCM Talkback Master Module

DDA

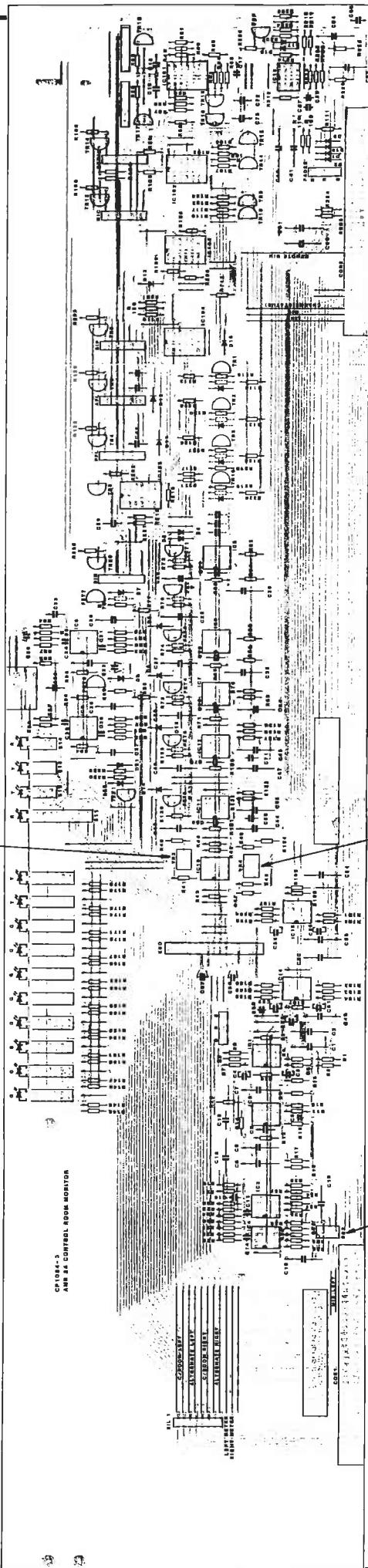


Mono meter adjust
Mono output balance adjust



Mix right output balance

D D A



Left meter adjust

Right meter adjust

Mix left output balance

AMR/DCM Control Room Master Module