

# ARENA

Schematics

Klark Teknik Building  
Walter Nash Road  
Kidderminster  
Worcestershire  
DY11 7HJ

Tel: +44 (0) 1562 741515

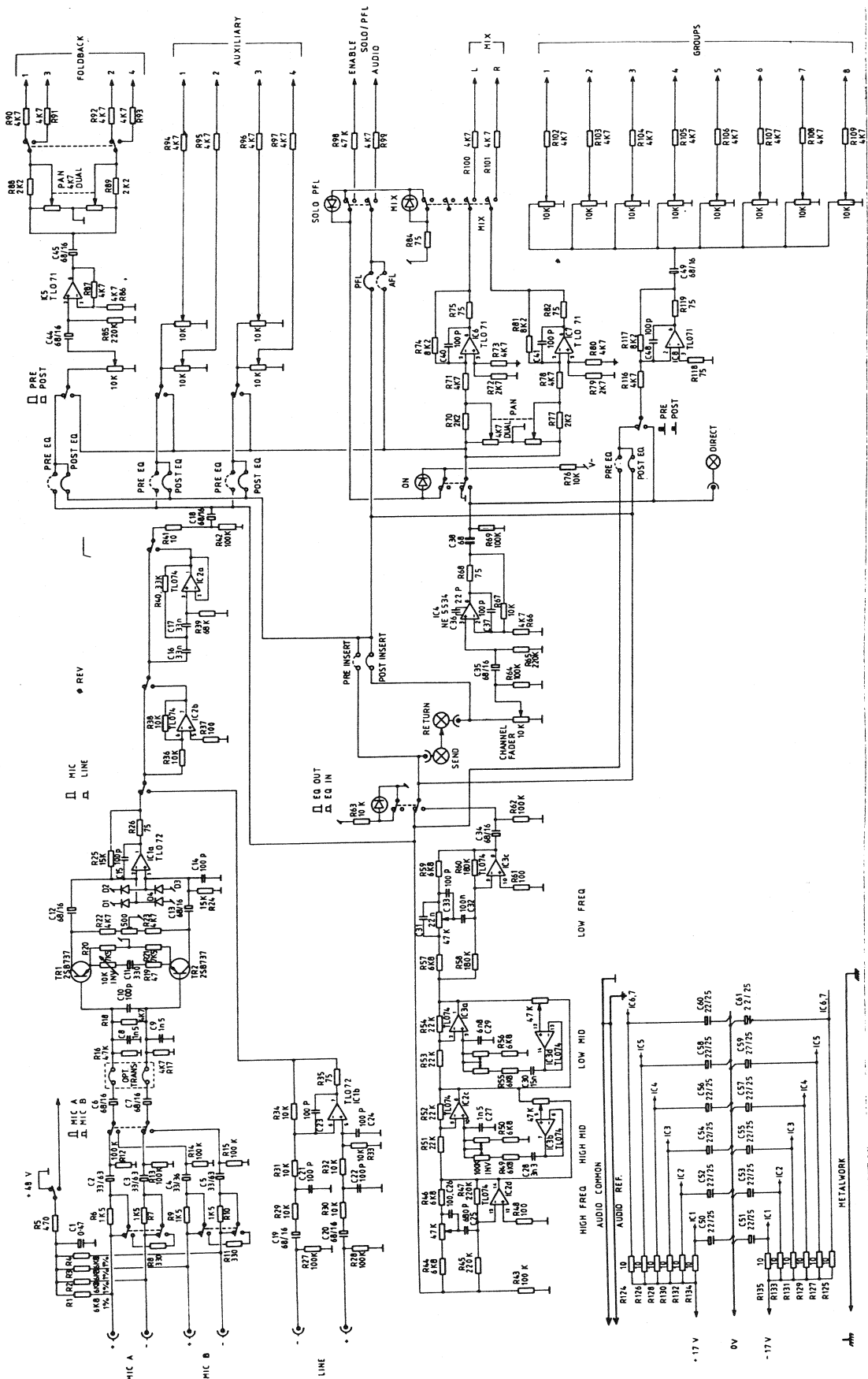
Fax: +44 (0) 1562 745371

Email: [info@uk.telex.com](mailto:info@uk.telex.com)

Website: [www.ddaconsole.com](http://www.ddaconsole.com)

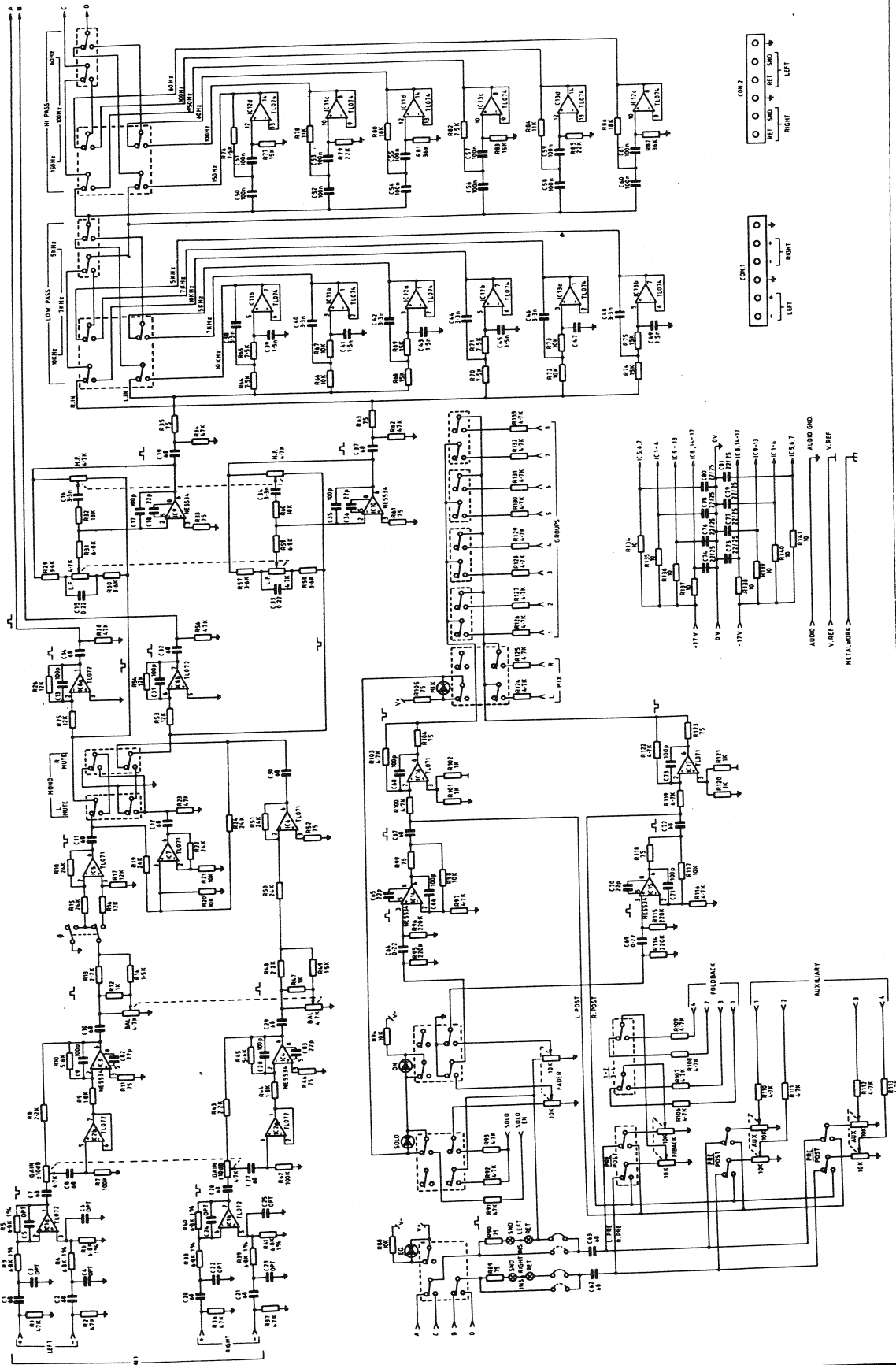
ARENA Schematics  
© Telex Communications (UK) Limited

In line with the company's policy of continual improvement, specifications and function maybe subject to change without notice. This Operator Manual was correct at the time of writing. E&OE.



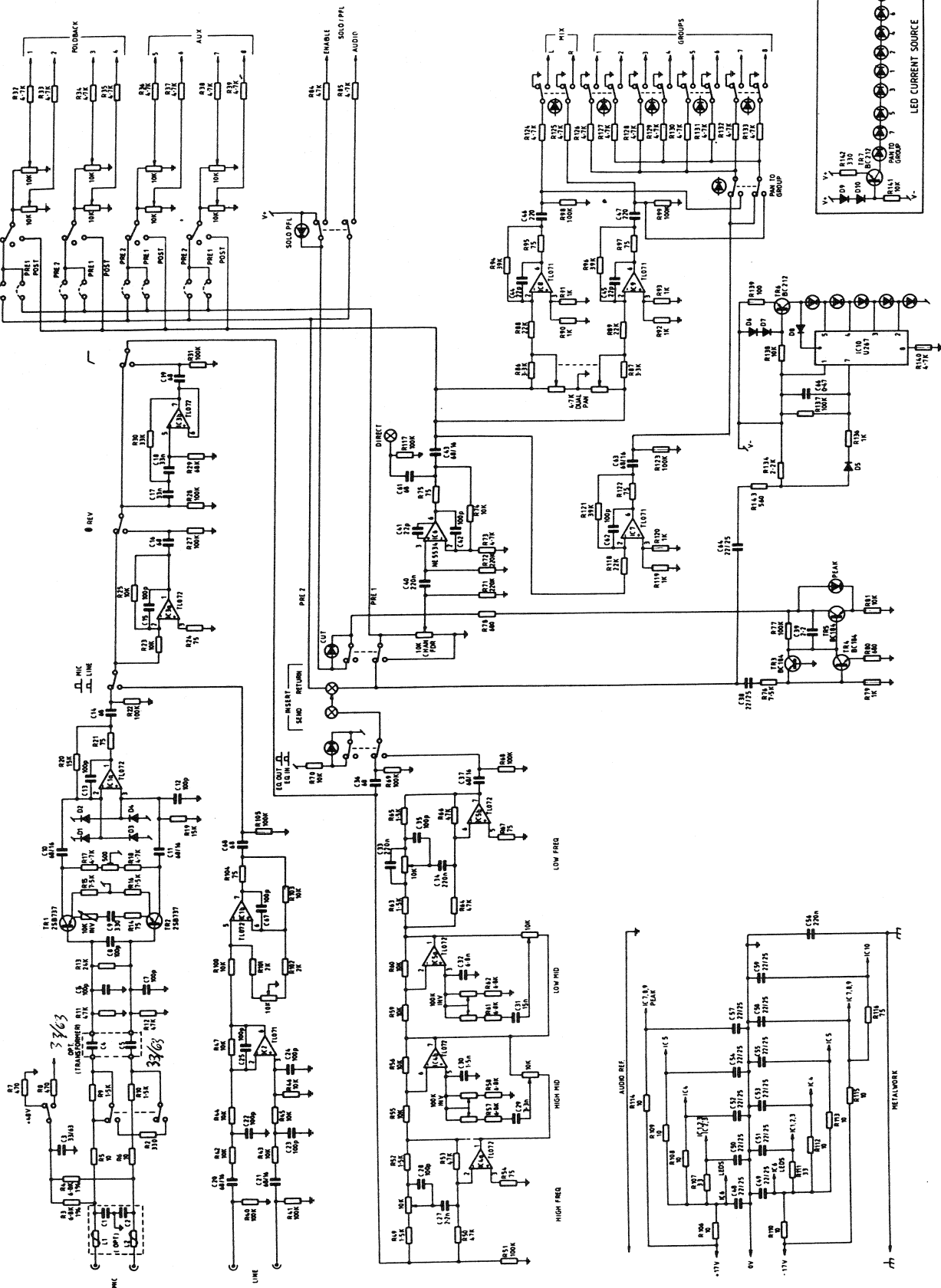
ADD

Monitor Input Module



Stereo Input Module (option)

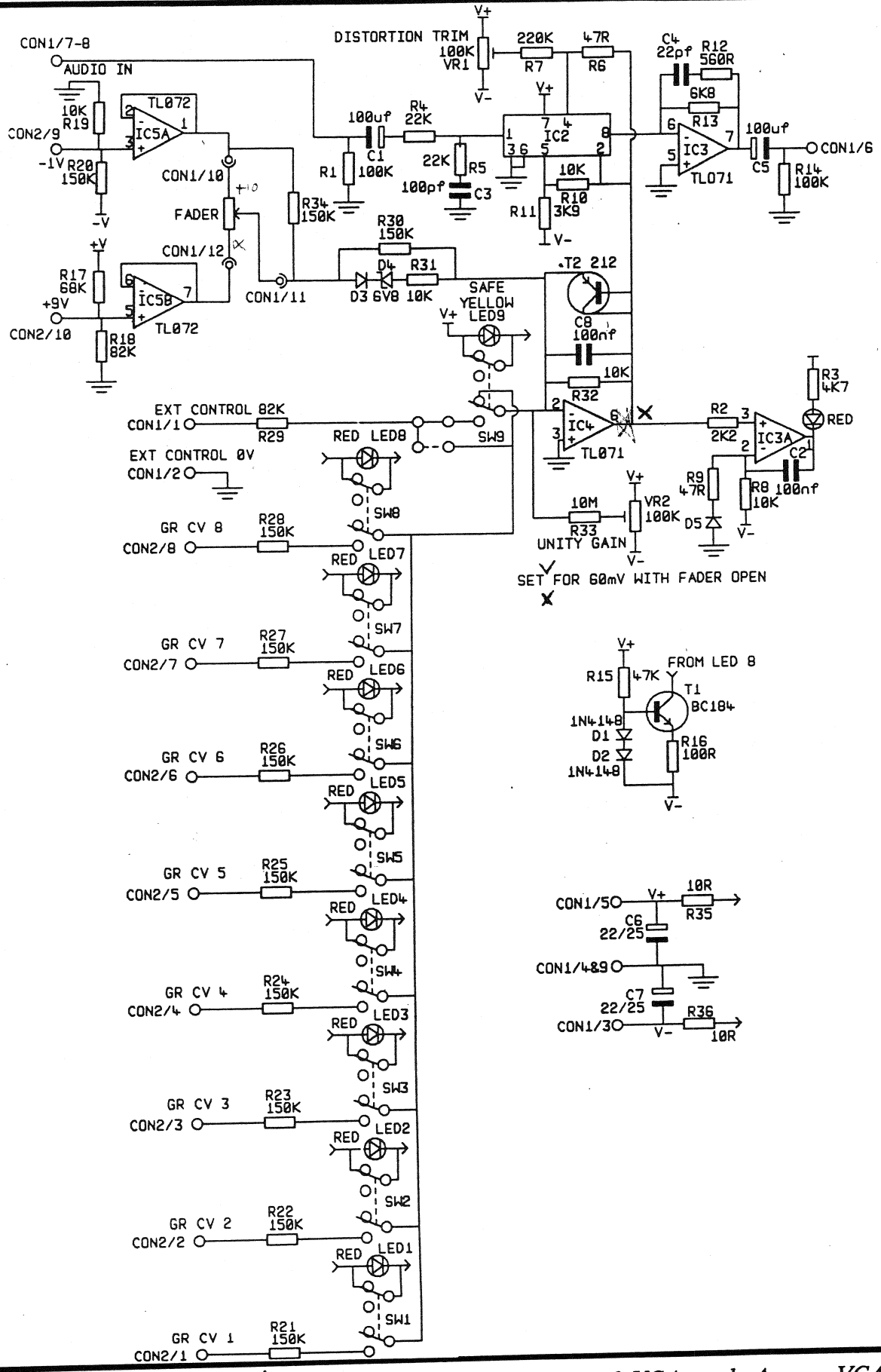
DDA



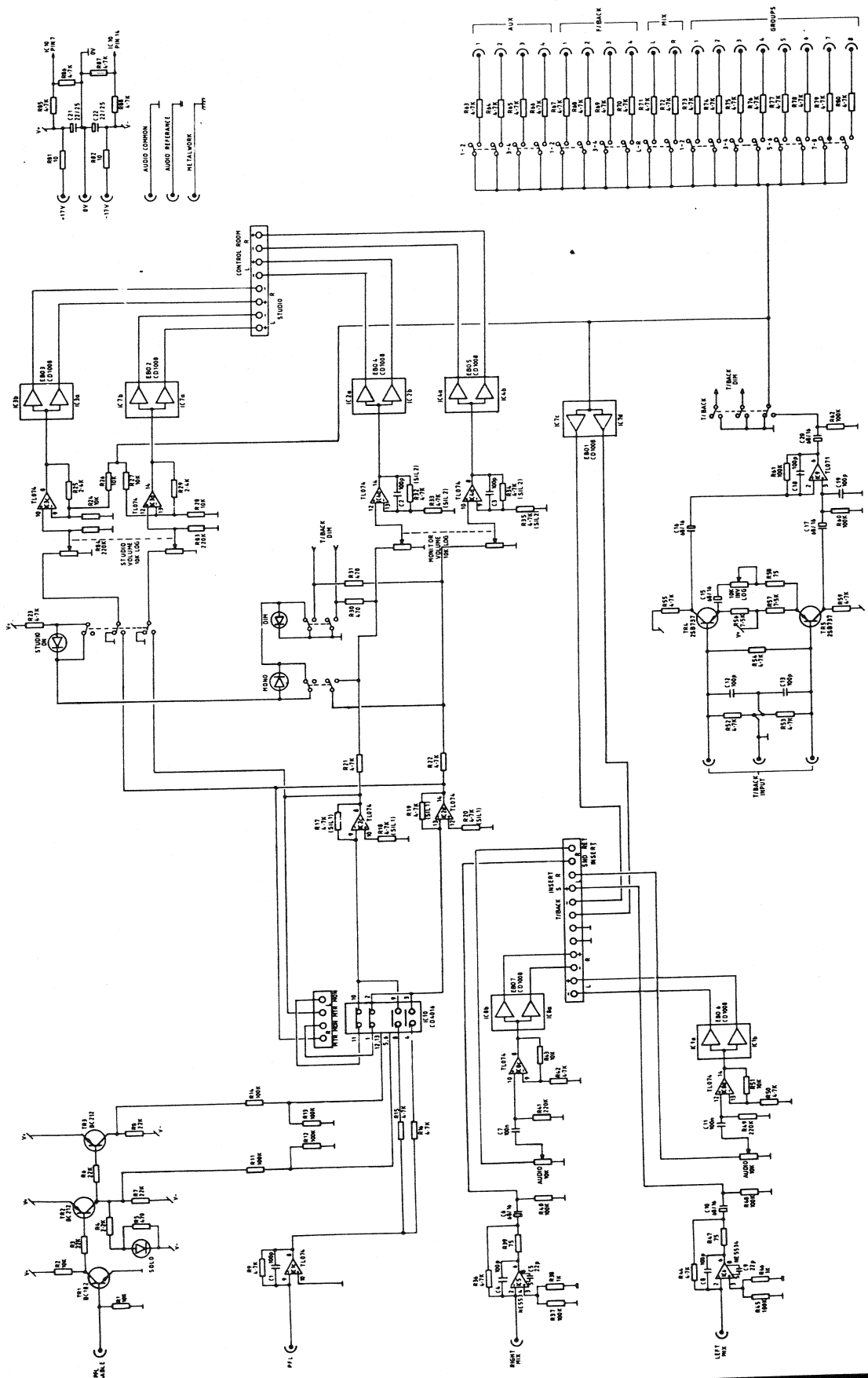
# ADD A

Input Module - Audio Section, Arena - VCA

# DDA

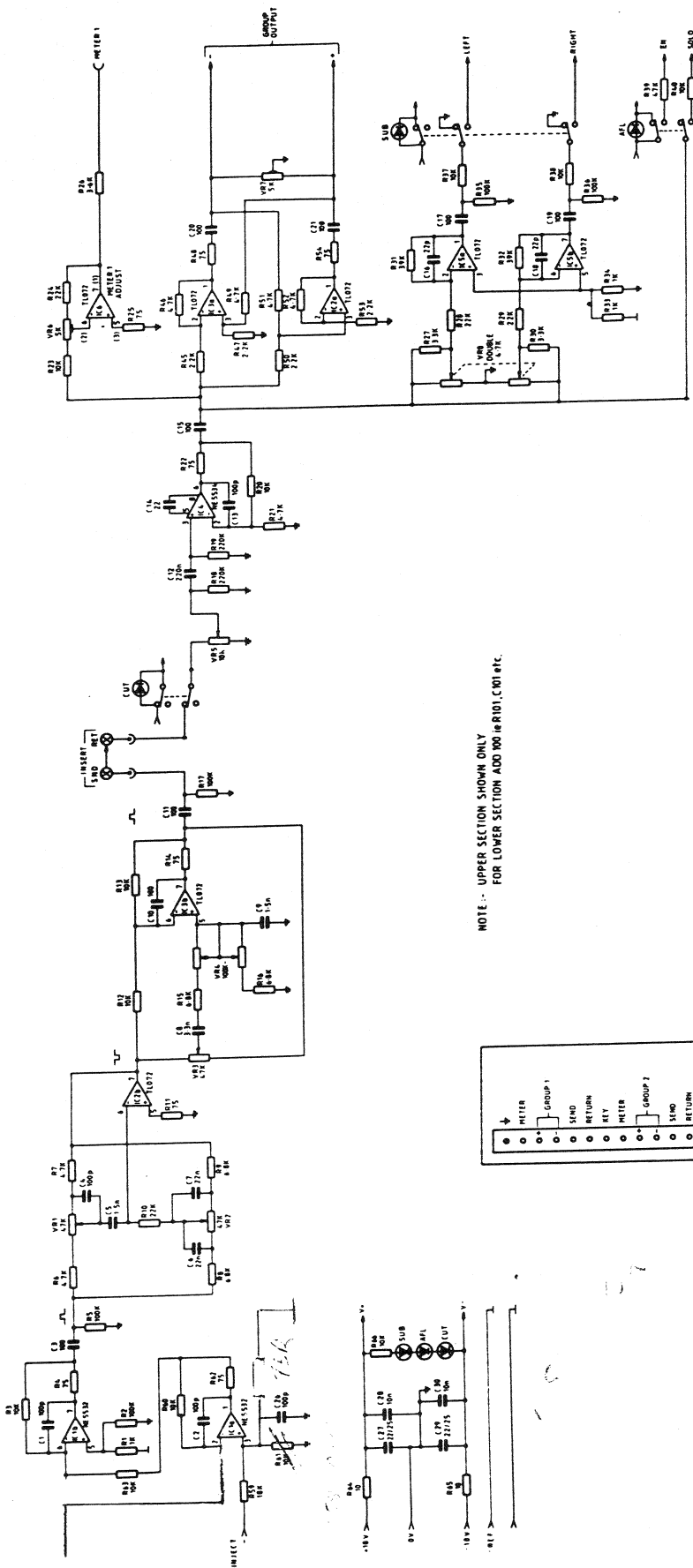


Channel VCA card, Arena-VCA

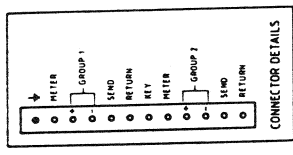


DDA

Stereo Master Module

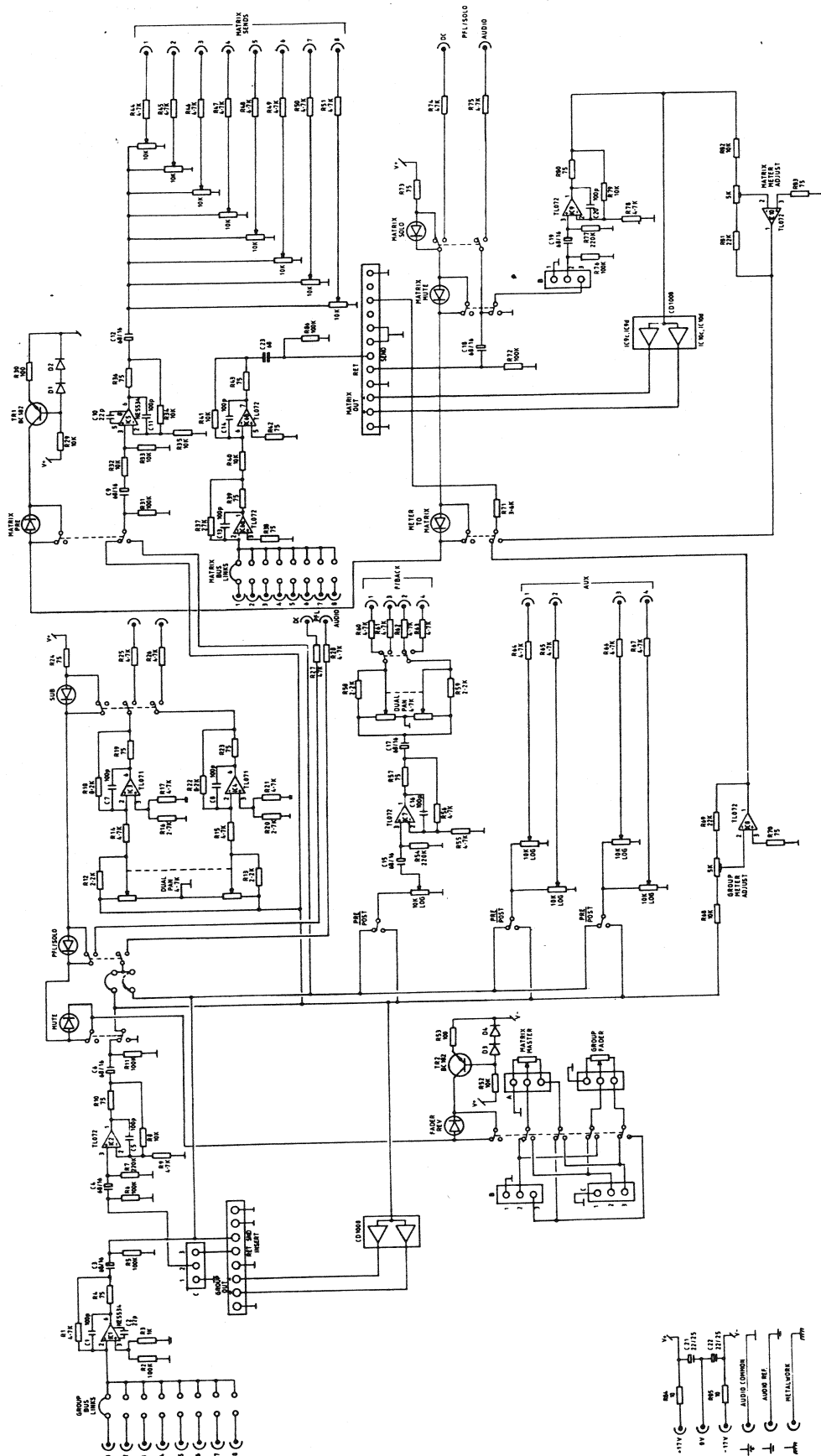


NOTE -- UPPER SECTION SHOWN ONLY  
FOR LOWER SECTION ADD 100 R-R101, C101 etc.



# DDA

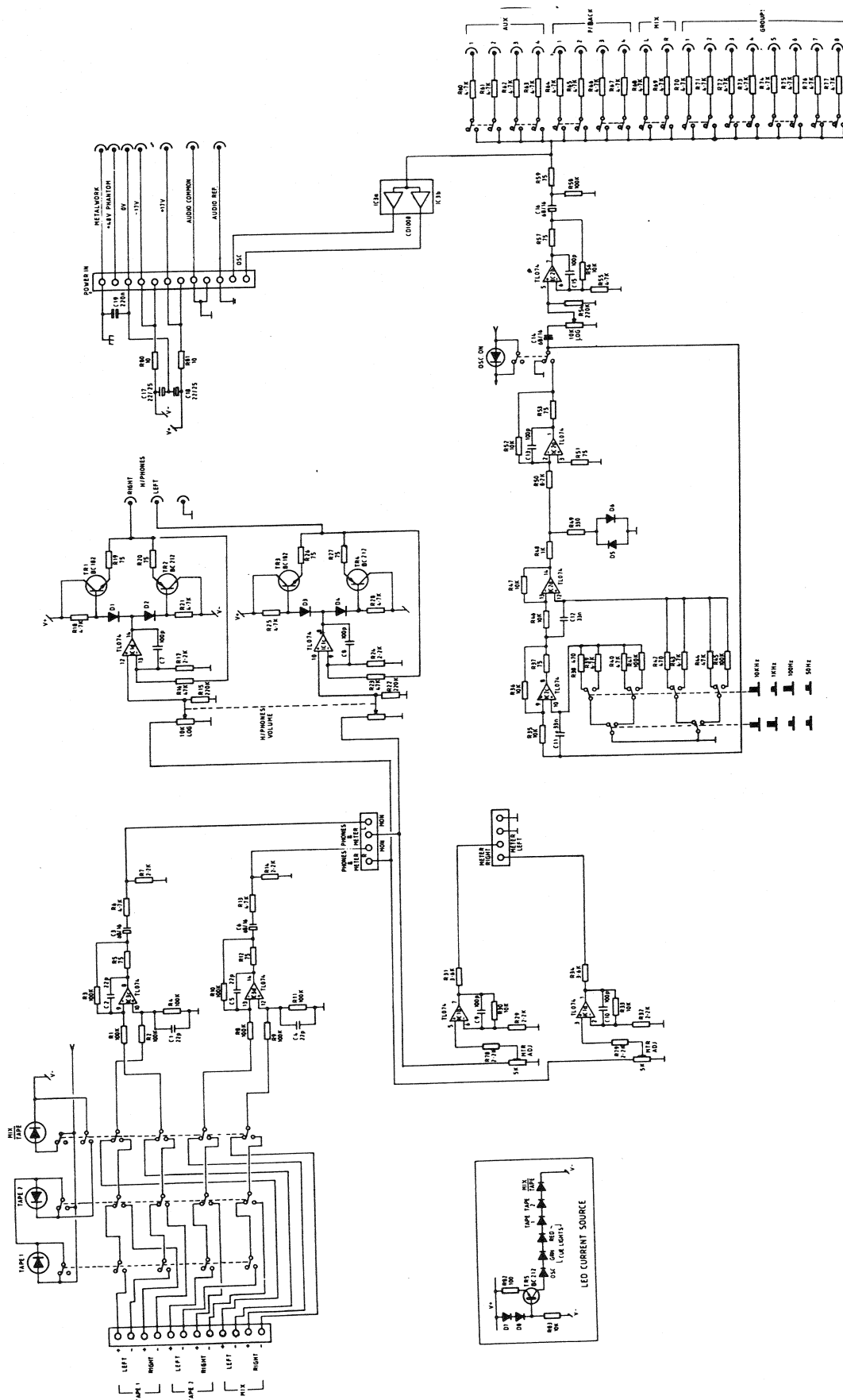
Output Module, Arena Monitor



**A D D I**

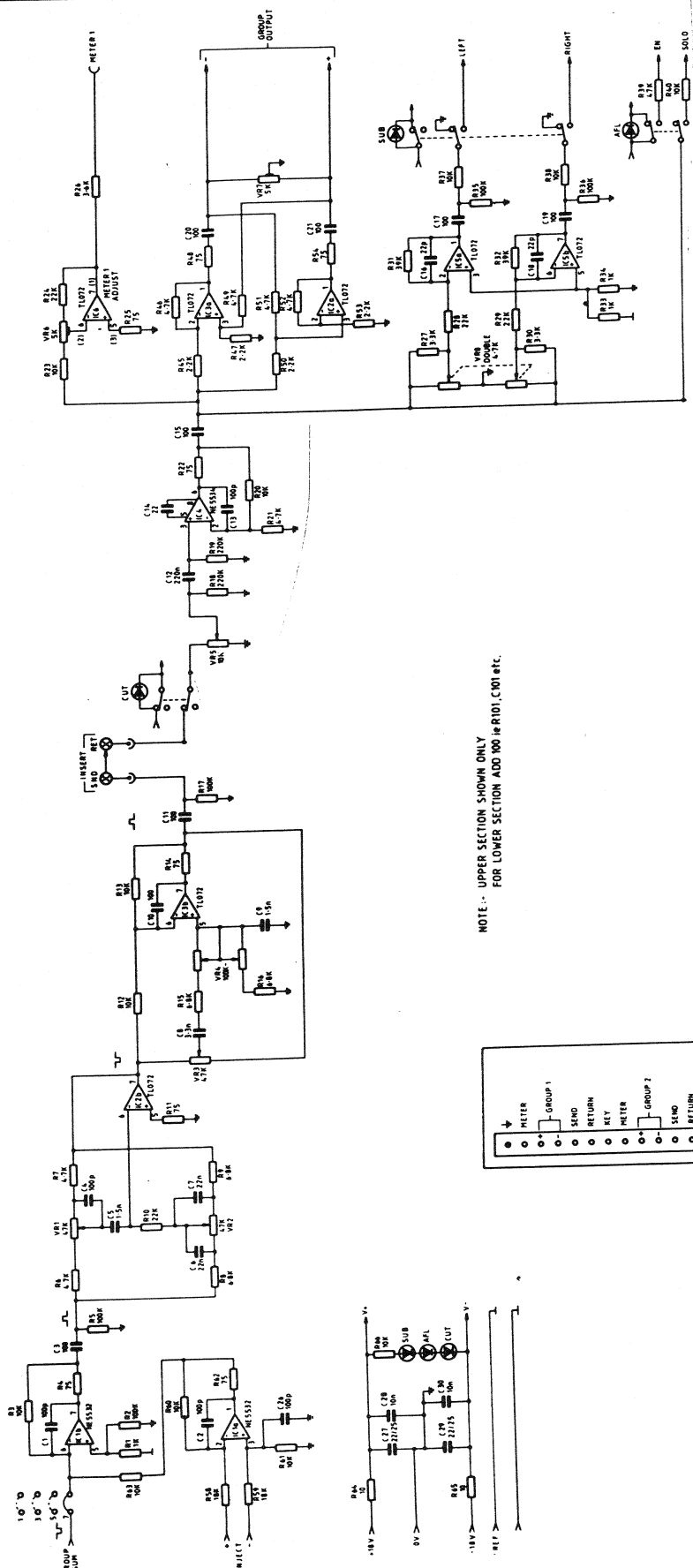
Matrix Output Module, Arena-VCA



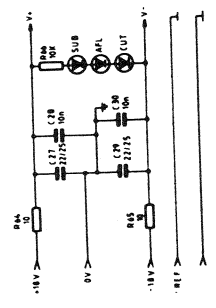
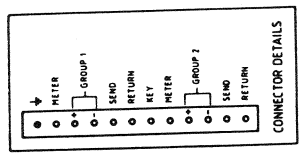


# ADD A

Monitor Master Module

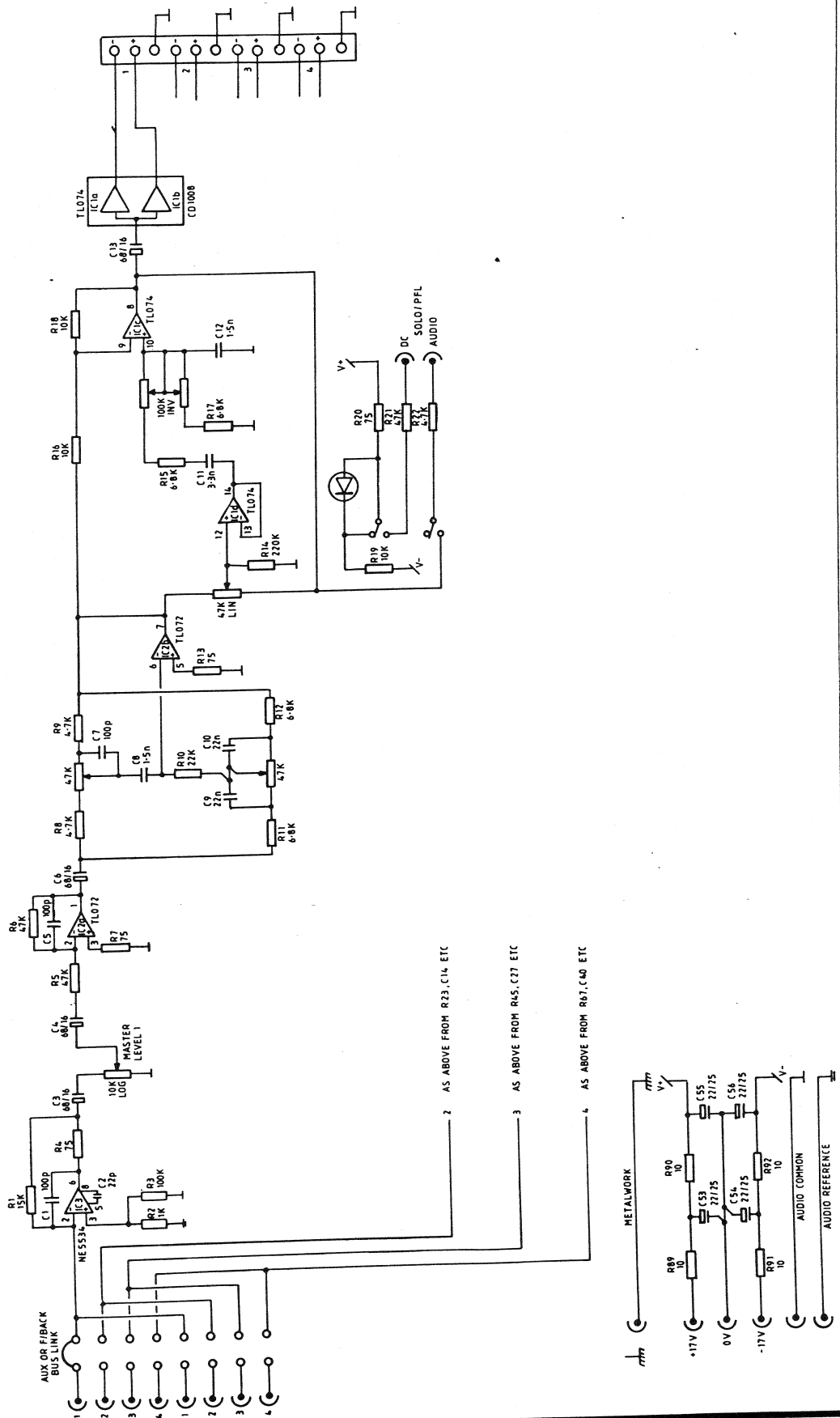


NOTE:- UPPER SECTION SHOWN ONLY  
FOR LOWER SECTION ADD 100 ie R101, C101 etc.



Output Module, Arena Monitor

DDA



Aux/Foldback Master Module, Arena - VCA

ADDIT