

CS3

Schematics

Klark Teknik Building
Walter Nash Road
Kidderminster
Worcestershire
DY11 7HJ

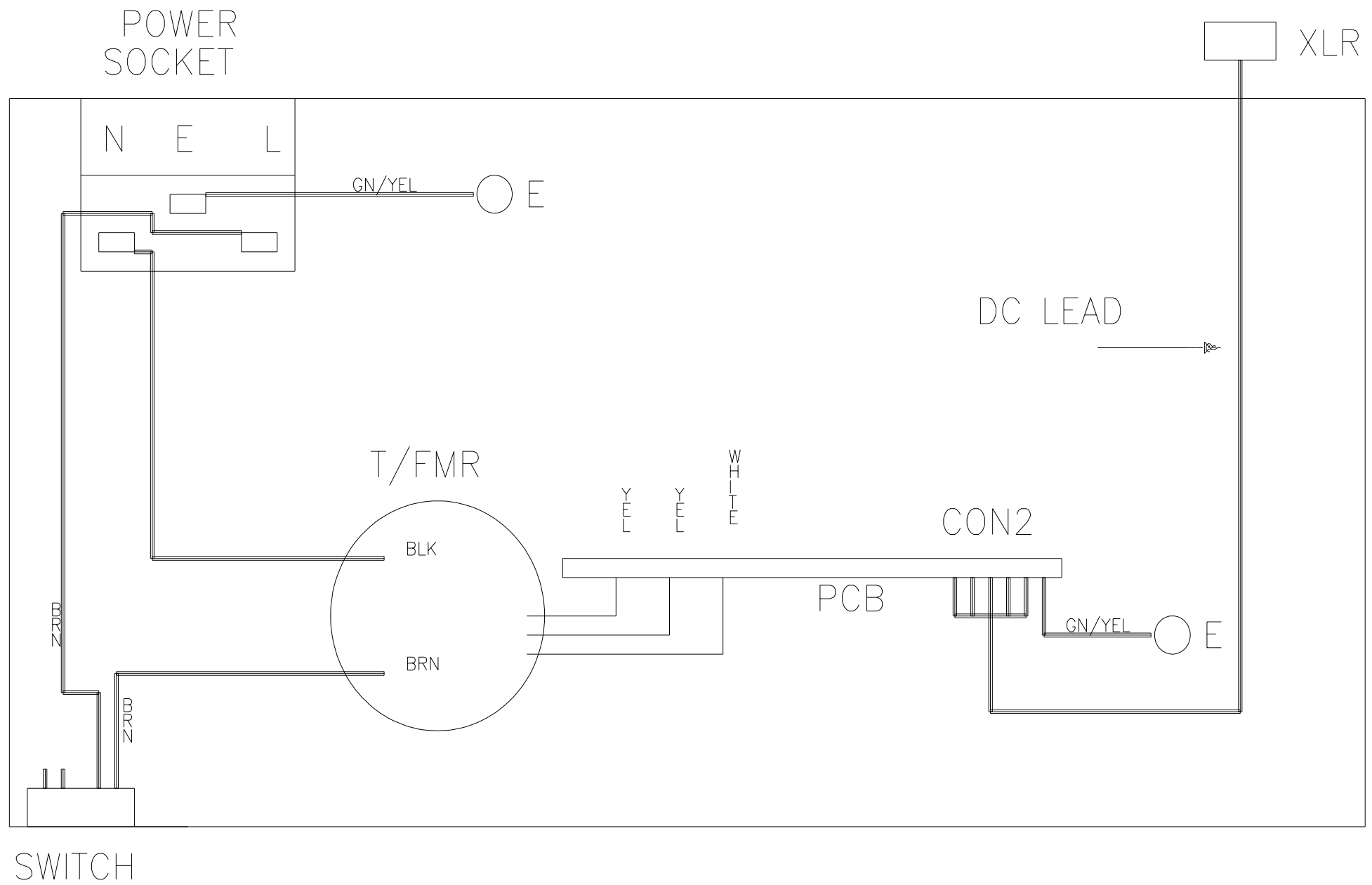
Tel: +44 (0) 1562 741515
Fax: +44 (0) 1562 745371

Email: info@uk.telex.com
Website: www.ddaconsoles.com

CS3 Schematics
© Telex Communications (UK) Limited

In line with the company's policy of continual improvement, specifications and function maybe subject to change without notice. This Operator Manual was correct at the time of writing. E&OE.

FOR USE WITHOUT VOLTAGE SELECTOR 100V ONLY

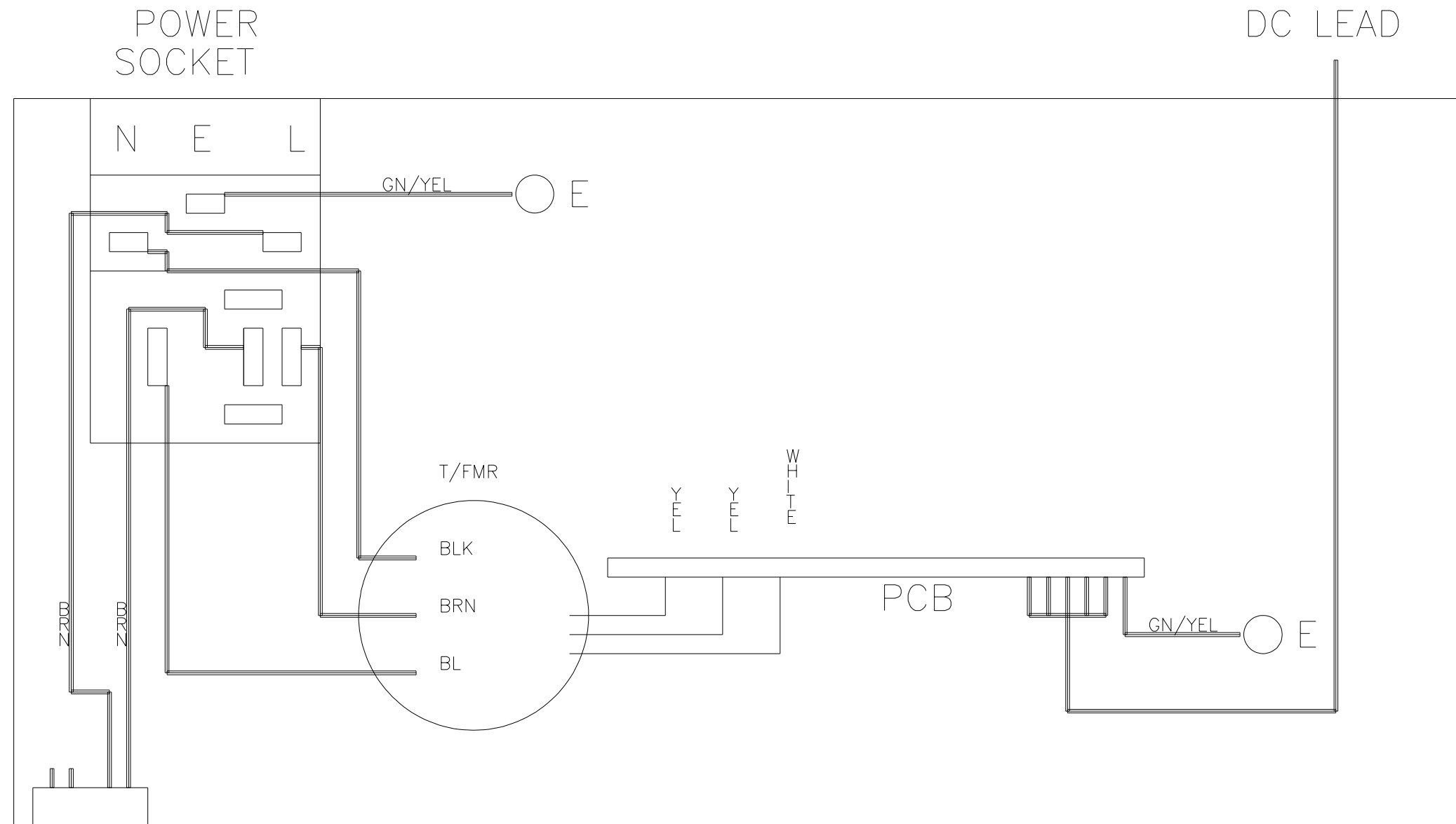


DC LEAD CONNECTIONS (ACBL17 - 101)

DC LEAD	PCB CON 2	XLR
BLACK	NOT USED	PIN 1
BROWN	+18V	PIN 2
RED	+18V	PIN 2
PURPLE	-18V	PIN 3
BLUE	-18V	PIN 3
YELLOW	0V	PIN 4
ORANGE	0V	PIN 4
GREEN	0V	PIN 4
WHITE	+48V	PIN 5
SCREEN	MWKGND	PIN 6

DDA LTD; UNIT 1, INWOOD BUSINESS PARK WHITTON ROAD, HOUNSLOW, TW3 2EB		
Title CS3 PSU WIRING DIAGRAM (100V)		
Size A	Document Number AS1466-1	REV A
Date: February 2, 1996	Sheet of	1

FOR USE WITH 2 POSITION VOLTAGE SELECTOR 120 – 230

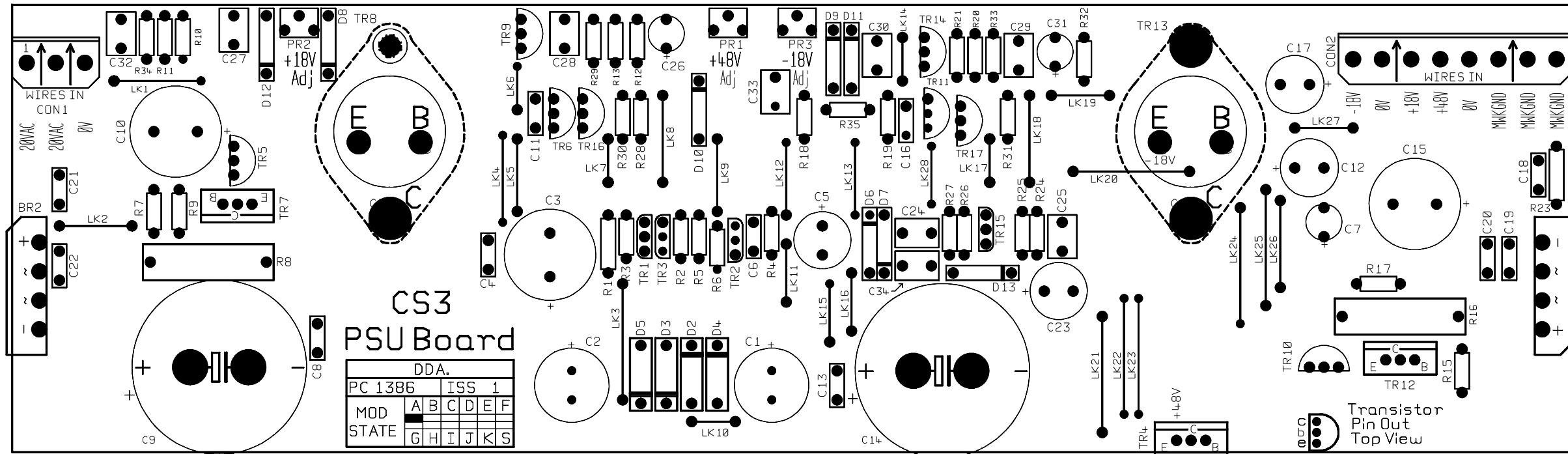


SWITCH

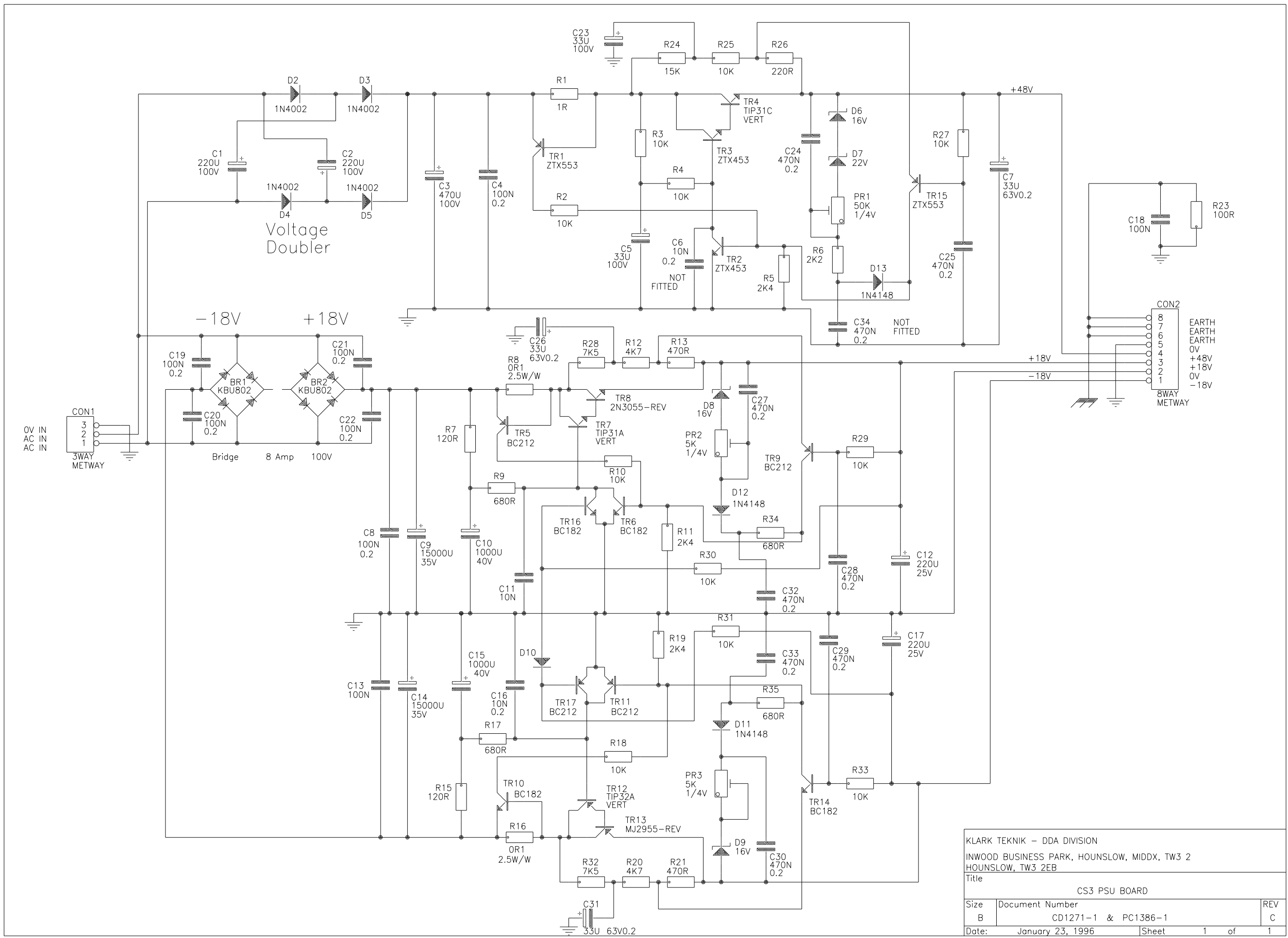
CONNECTIONS (DC LEAD)

- PIN 1 - NOT USED
- PIN 2 - RED + BROWN +18V
- PIN 3 - PURPLE + BLUE -18V
- PIN 4 - YELLOW + ORANGE + GREEN 0V
- PIN 5 - WHITE +48V
- PIN 6 - BLACK MWK GND

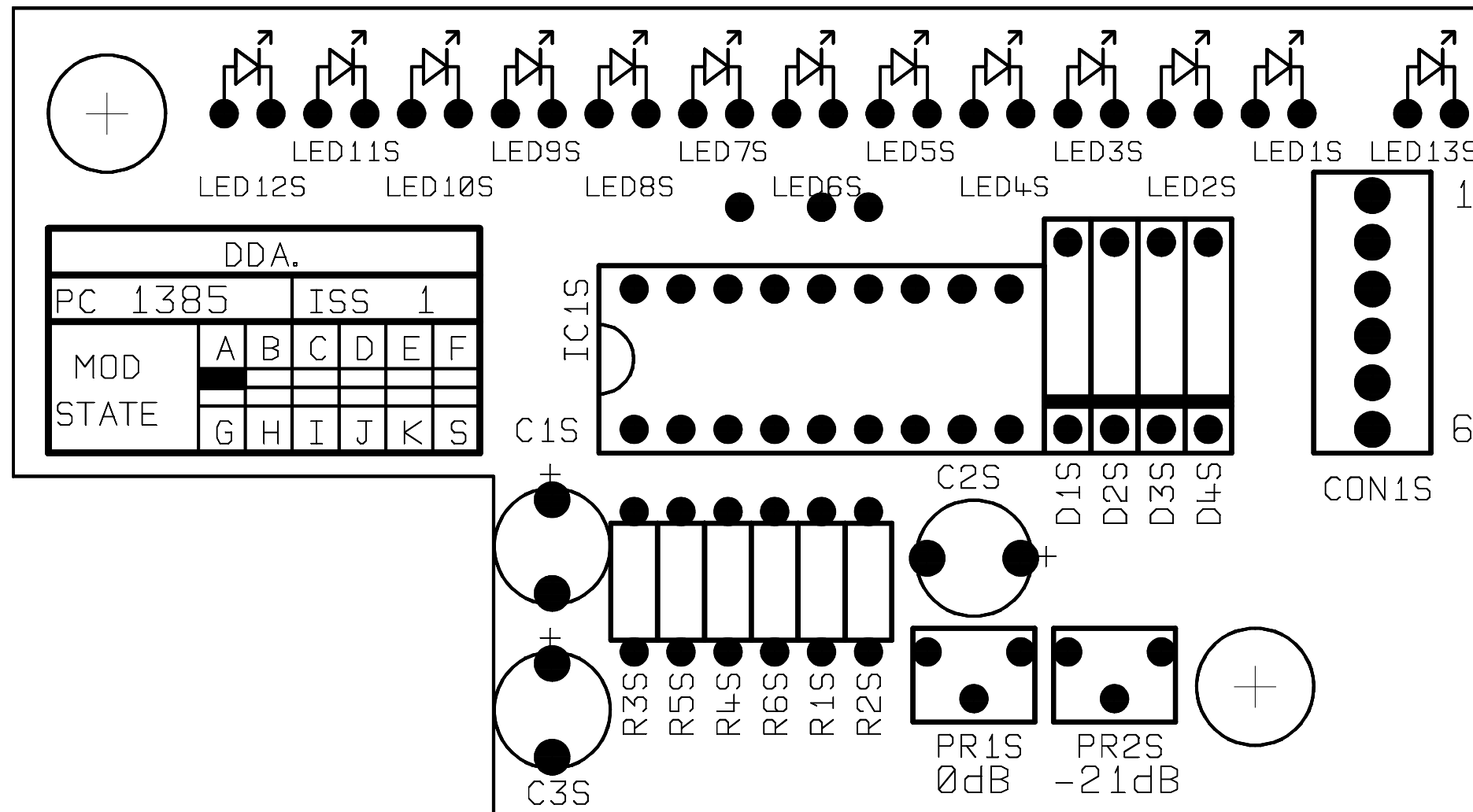
DDA LTD; UNIT 1, INWOOD BUSINESS PARK WHITTON ROAD, HOUNSLOW, TW3 2EB		
Title CS3 PSU WIRING DIAGRAM (120/230V)		
Size A	Document Number AS1462-1	REV A
Date: January 25, 1996	Sheet of	1



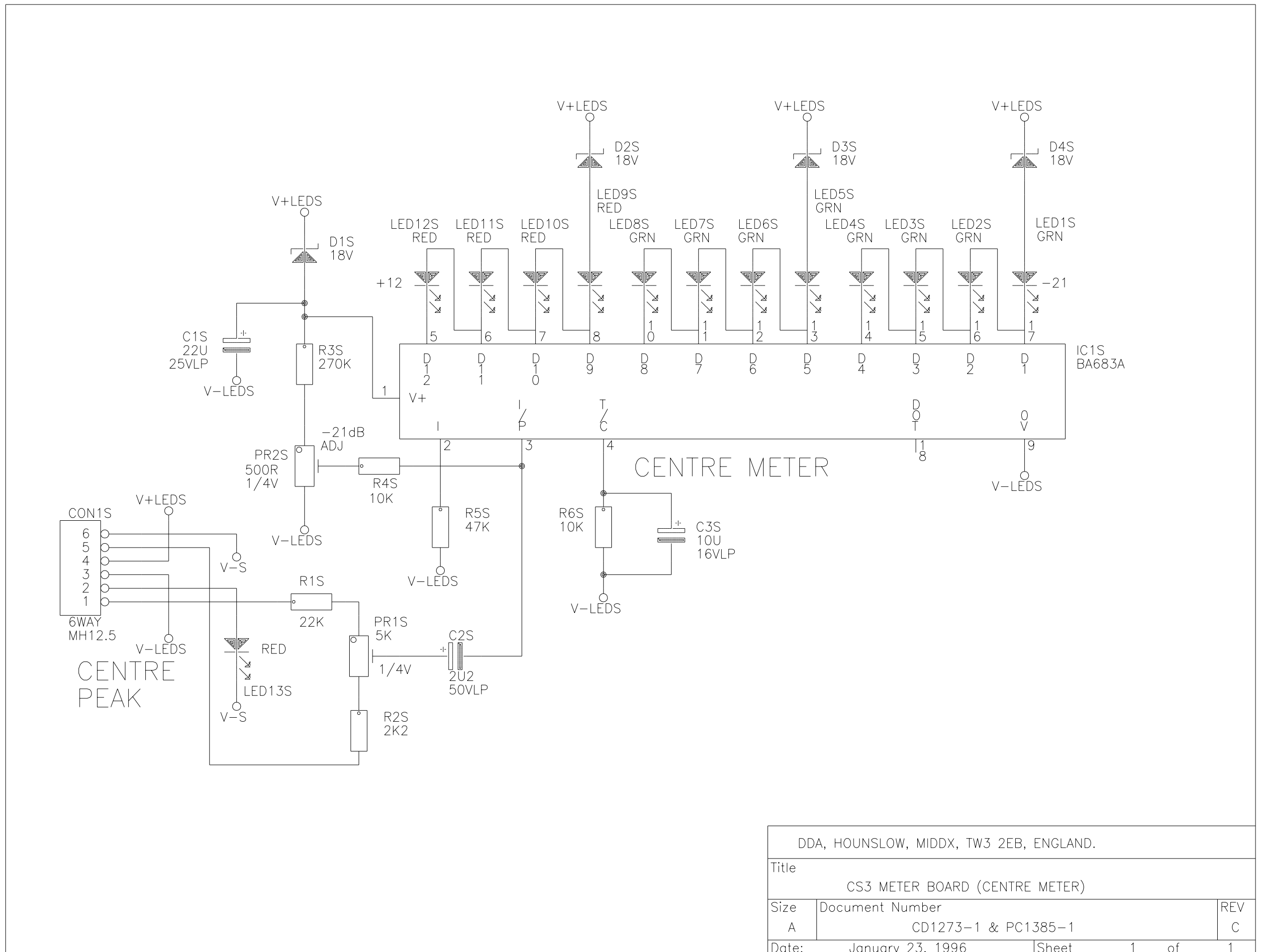
PC1386 ISSUE 1 POWER SUPPLY



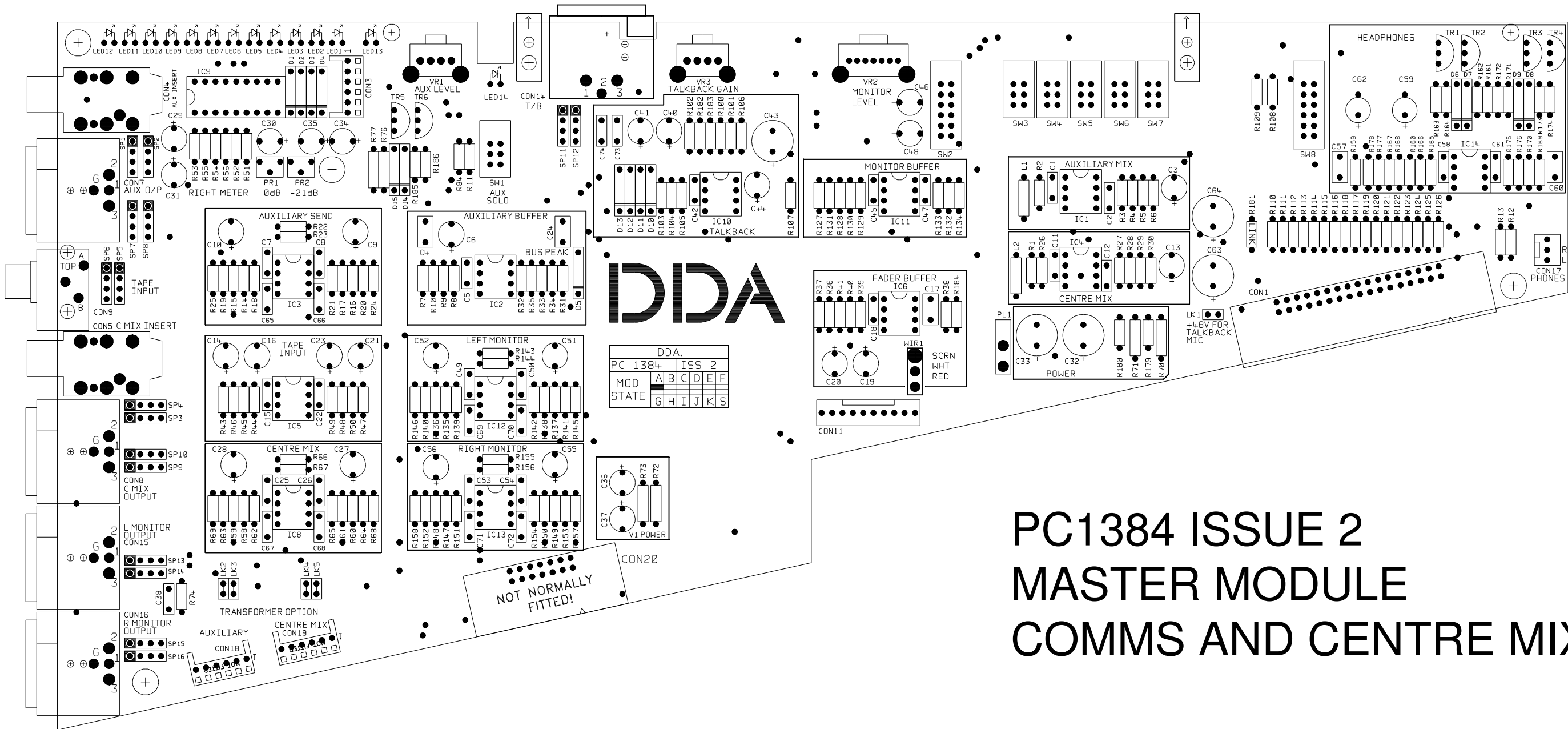
KLARK TEKNIK - DDA DIVISION		
INWOOD BUSINESS PARK, HOUNSLOW, MIDDX, TW3 2		
HOUNSLOW, TW3 2EB		
Title		
CS3 PSU BOARD		
Size	Document Number	REV
B	CD1271-1 & PC1386-1	C
Date:	January 23, 1996	Sheet 1 of 1



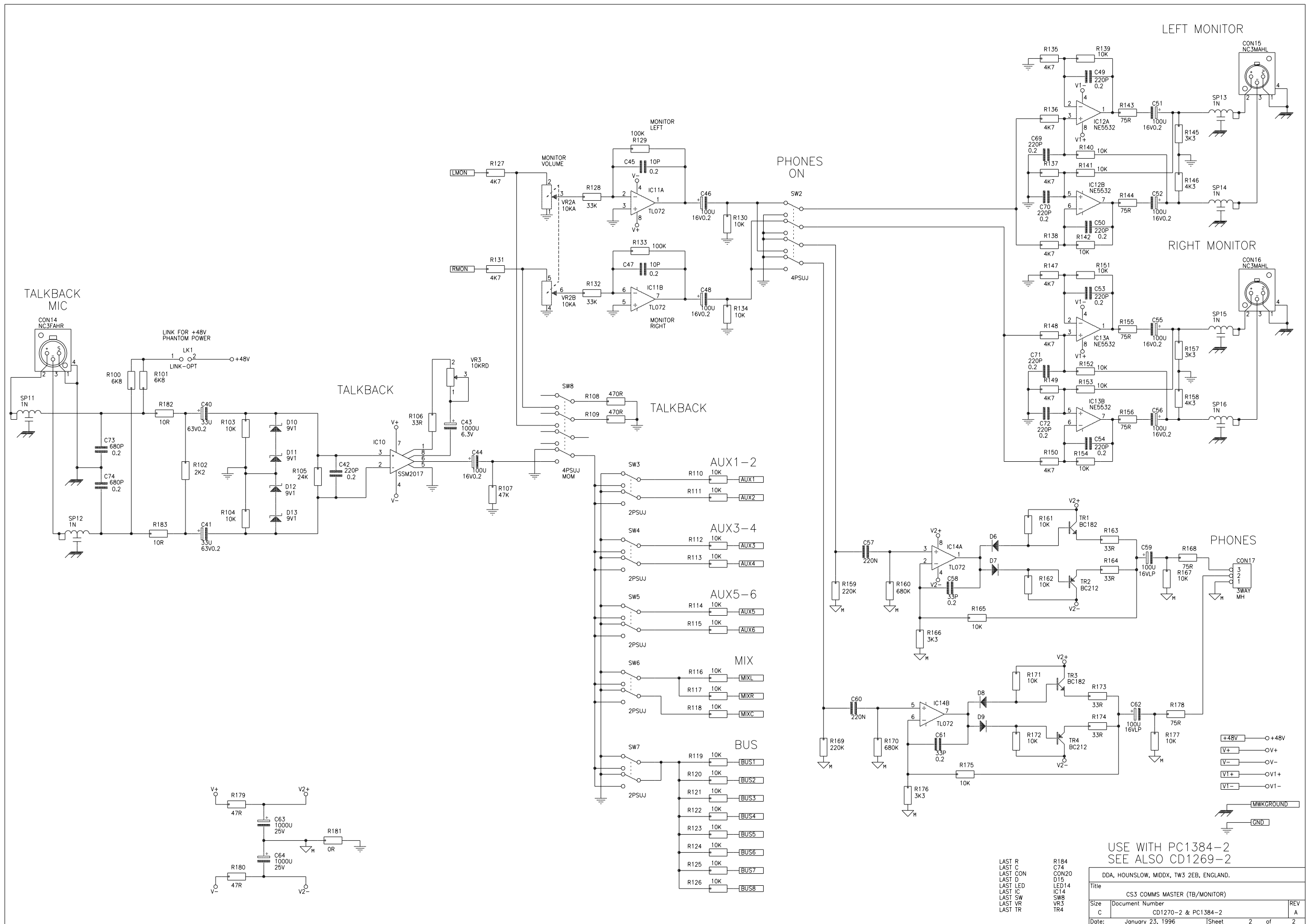
PC1385 ISSUE 1 CENTRE METER

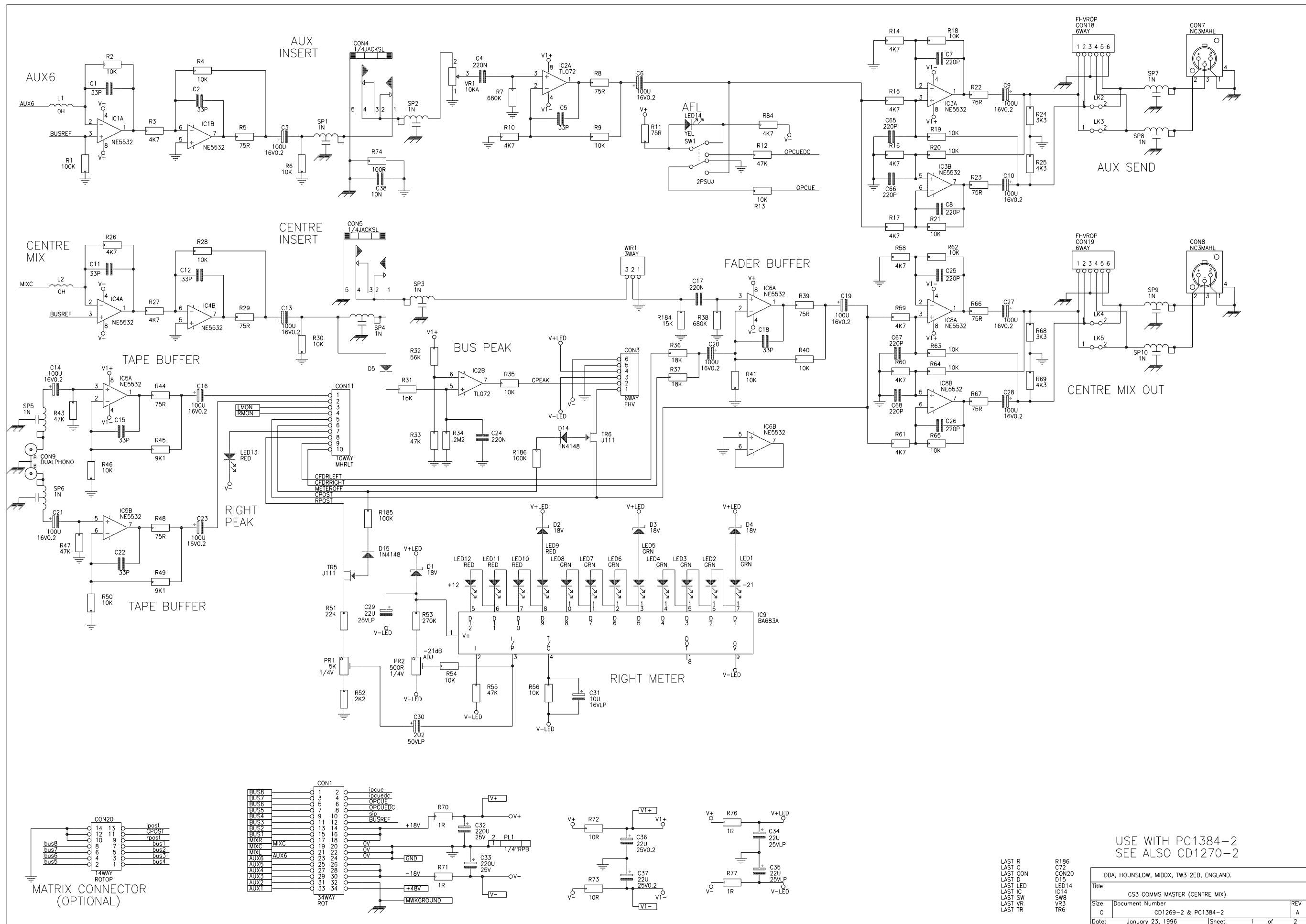


DDA, HOUNSLOW, MIDDX, TW3 2EB, ENGLAND.		
Title CS3 METER BOARD (CENTRE METER)		
Size A	Document Number CD1273-1 & PC1385-1	REV C
Date:	January 23, 1996	Sheet 1 of 1



PC1384 ISSUE 2 MASTER MODULE COMMS AND CENTRE MIX



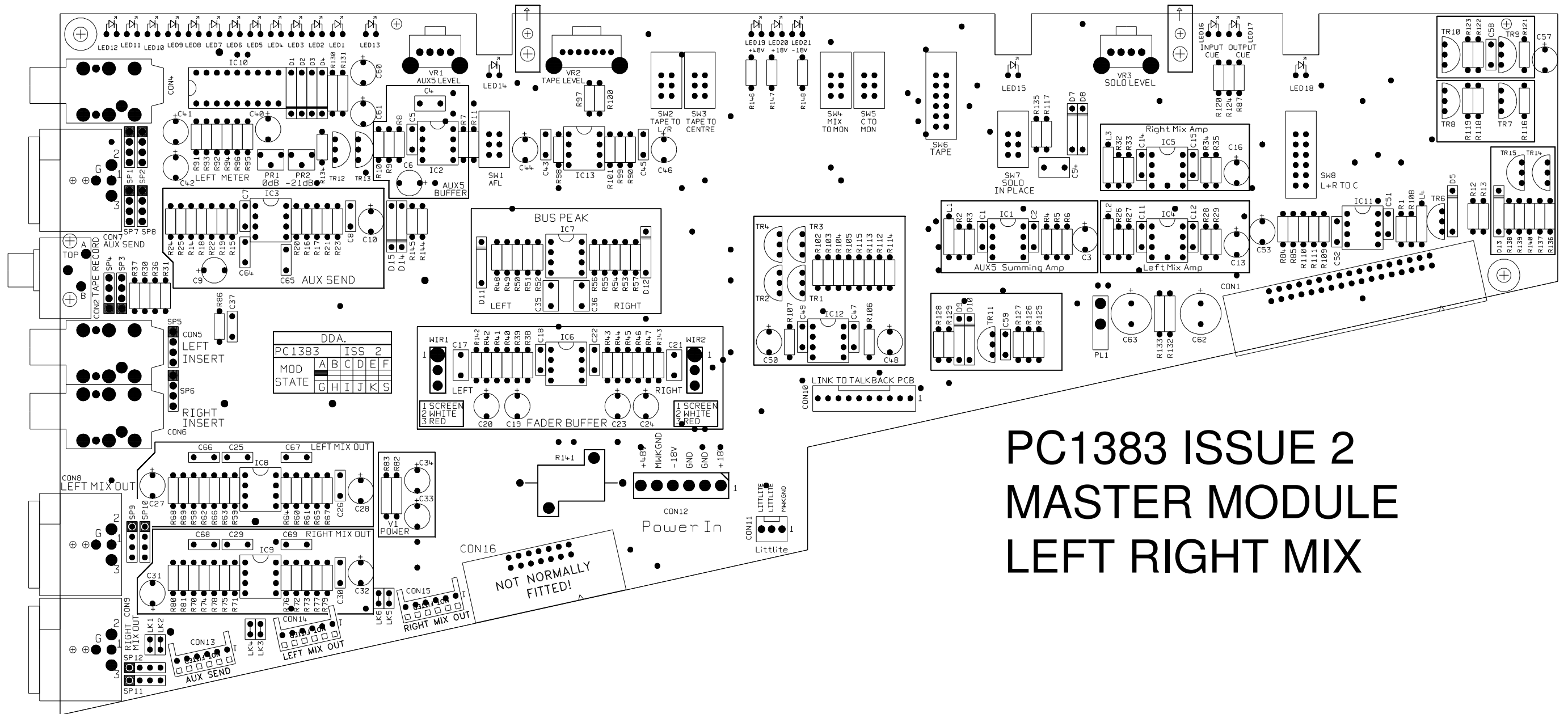


USE WITH PC1384-2
SEE ALSO CD1270-2

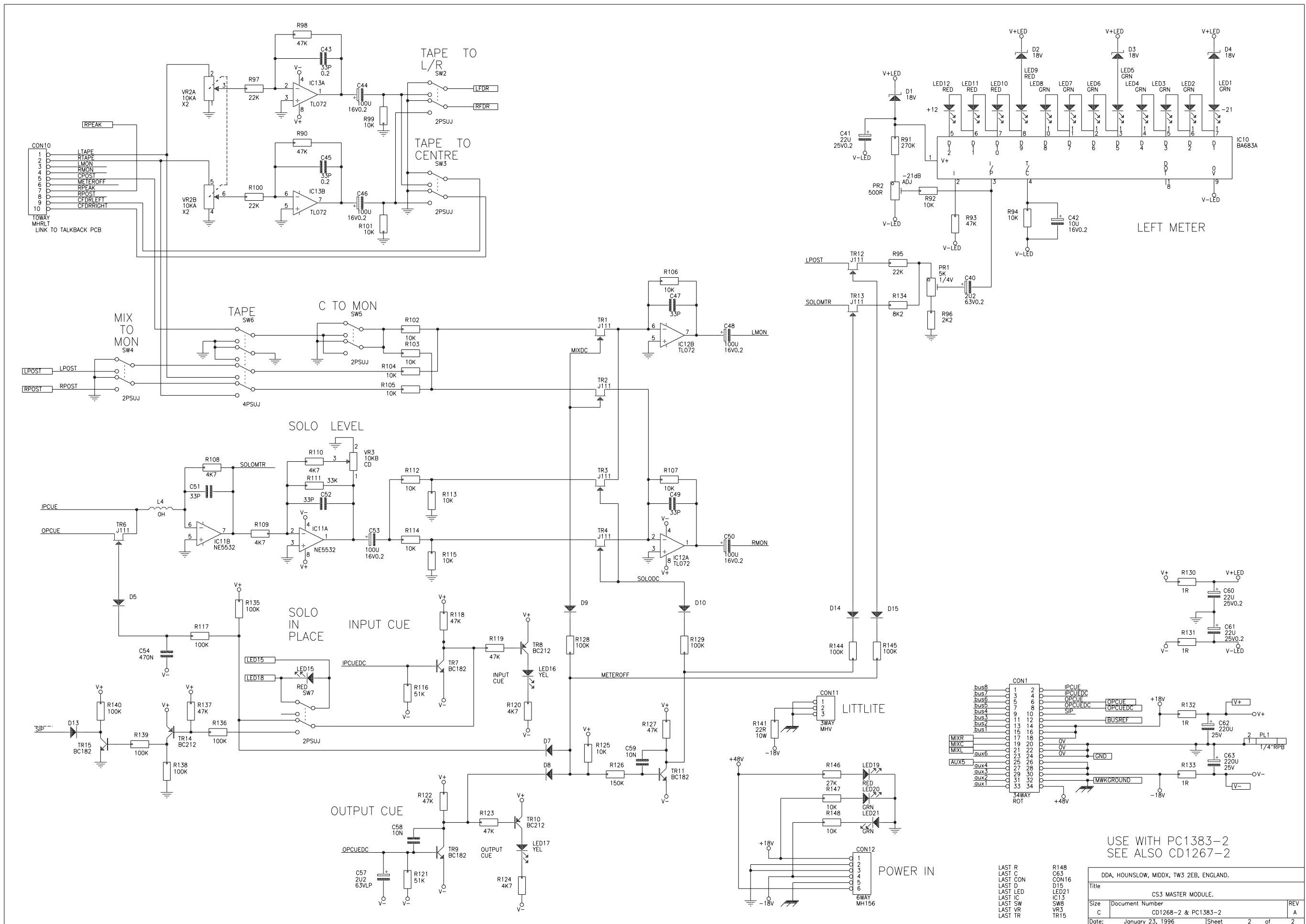
- LAST R
- LAST C
- LAST CON
- LAST D
- LAST LED
- LAST IC
- LAST SW
- LAST VR
- LAST TR

- R186
- C72
- CON20
- D15
- LED14
- IC14
- SW8
- VR3
- TR6

DDA, HOUNSLOW, MIDD, TW3 2EB, ENGLAND.		
Title	CS3 COMMS MASTER (CENTRE MIX)	
Size	Document Number	REV
C	CD1269-2 & PC1384-2	A
Date:	January 23, 1996	Sheet 1 of 2



PC1383 ISSUE 2 MASTER MODULE LEFT RIGHT MIX

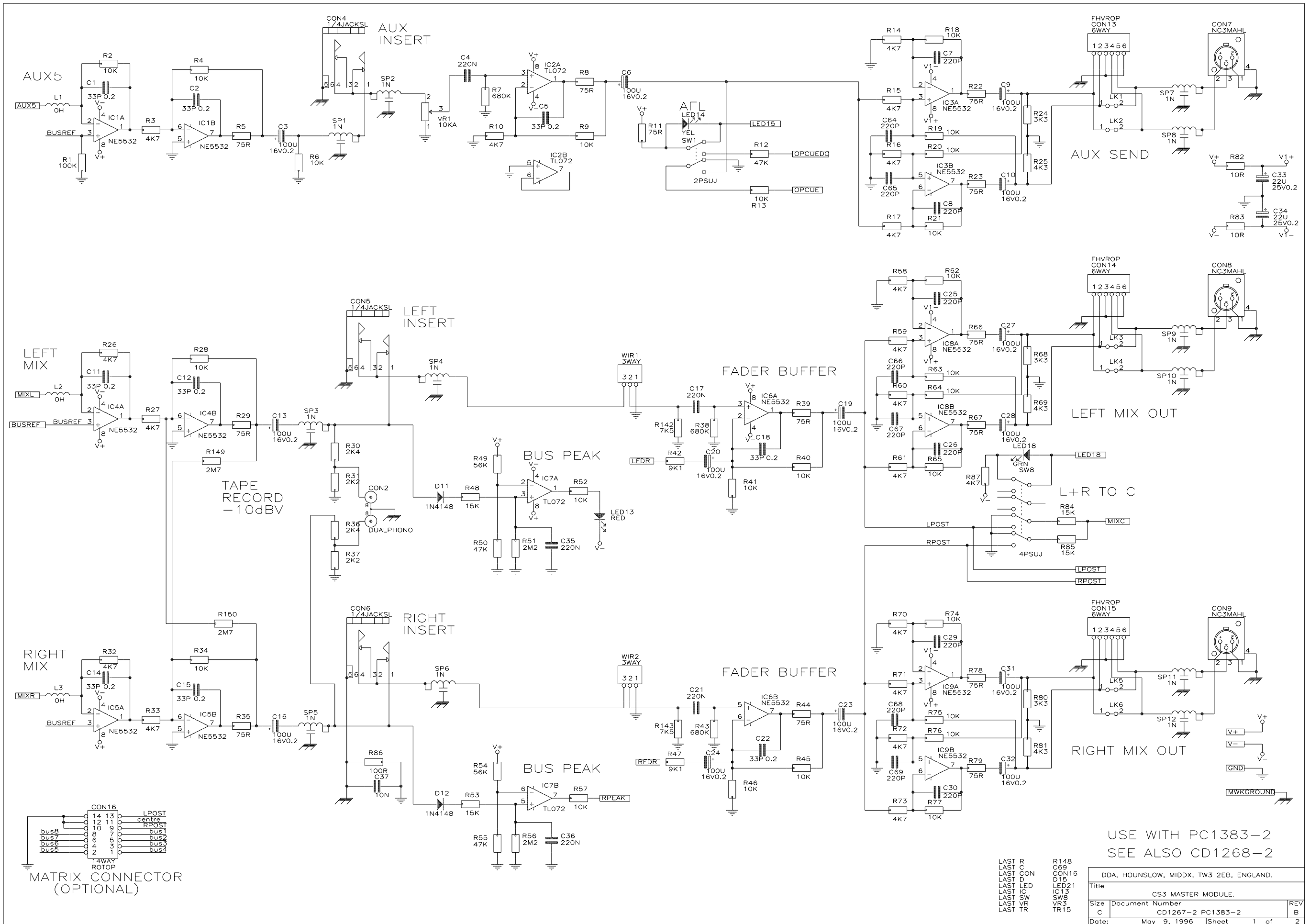


USE WITH PC1383-2
SEE ALSO CD1267-2

DDA, HOUNSLOW, MIDDX, TW3 2EB, ENGLAND.

Title CS3 MASTER MODULE.

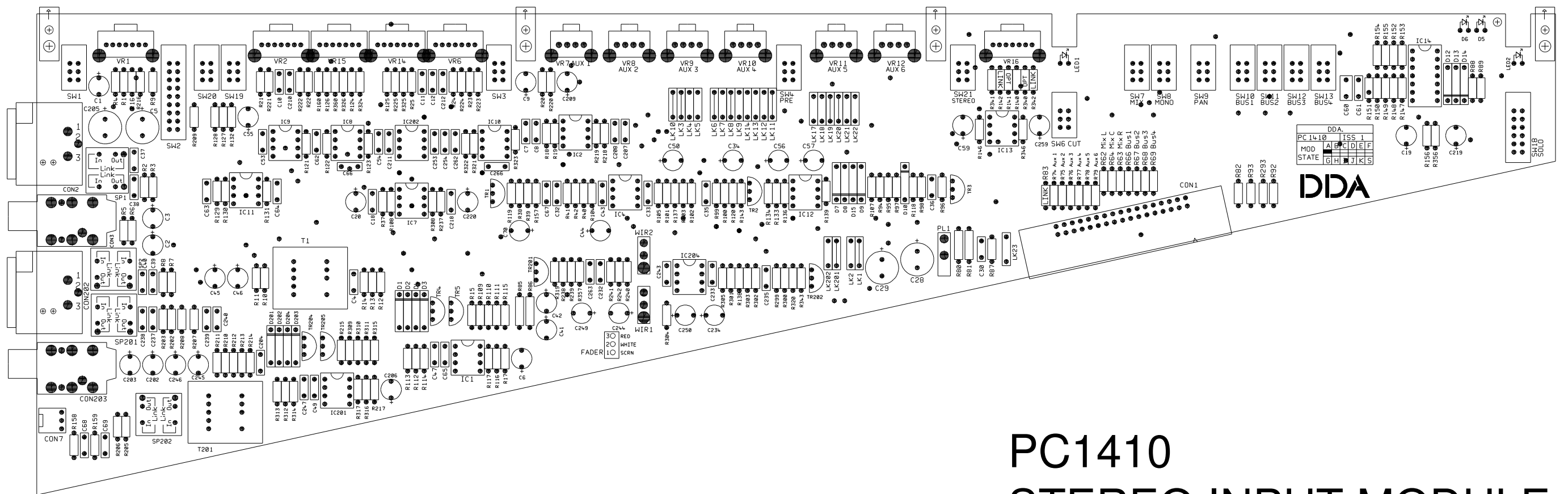
Size	Document Number	REV
C	CD1268-2 & PC1383-2	A
Date:	January 23, 1996	Sheet 2 of 2



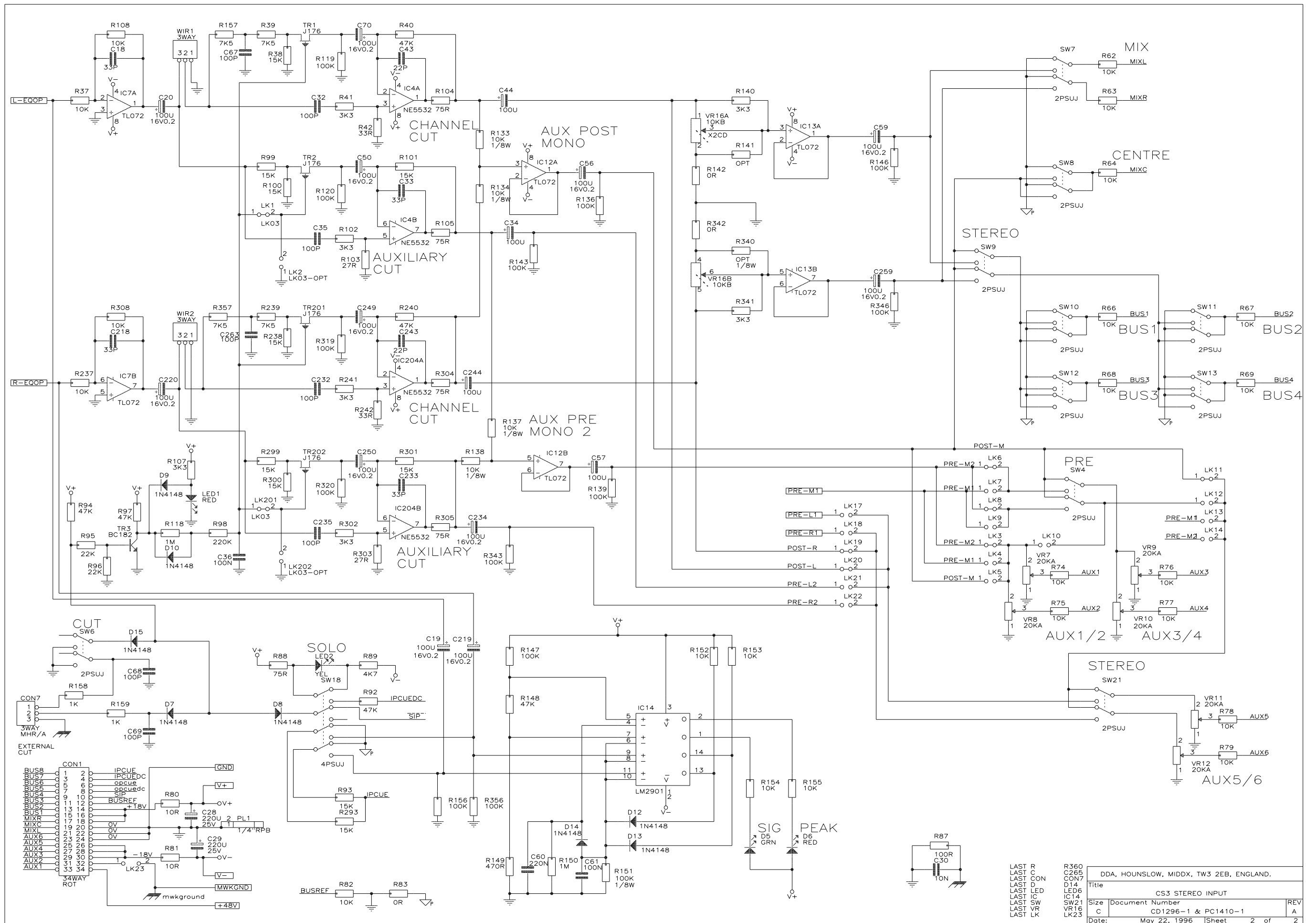
USE WITH PC1383-2
SEE ALSO CD1268-2

- LAST R
- LAST C
- LAST CON
- LAST D
- LAST LED
- LAST IC
- LAST SW
- LAST VR
- LAST TR
- R148
- C69
- CON16
- D15
- LED21
- IC13
- SW8
- VR3
- TR15

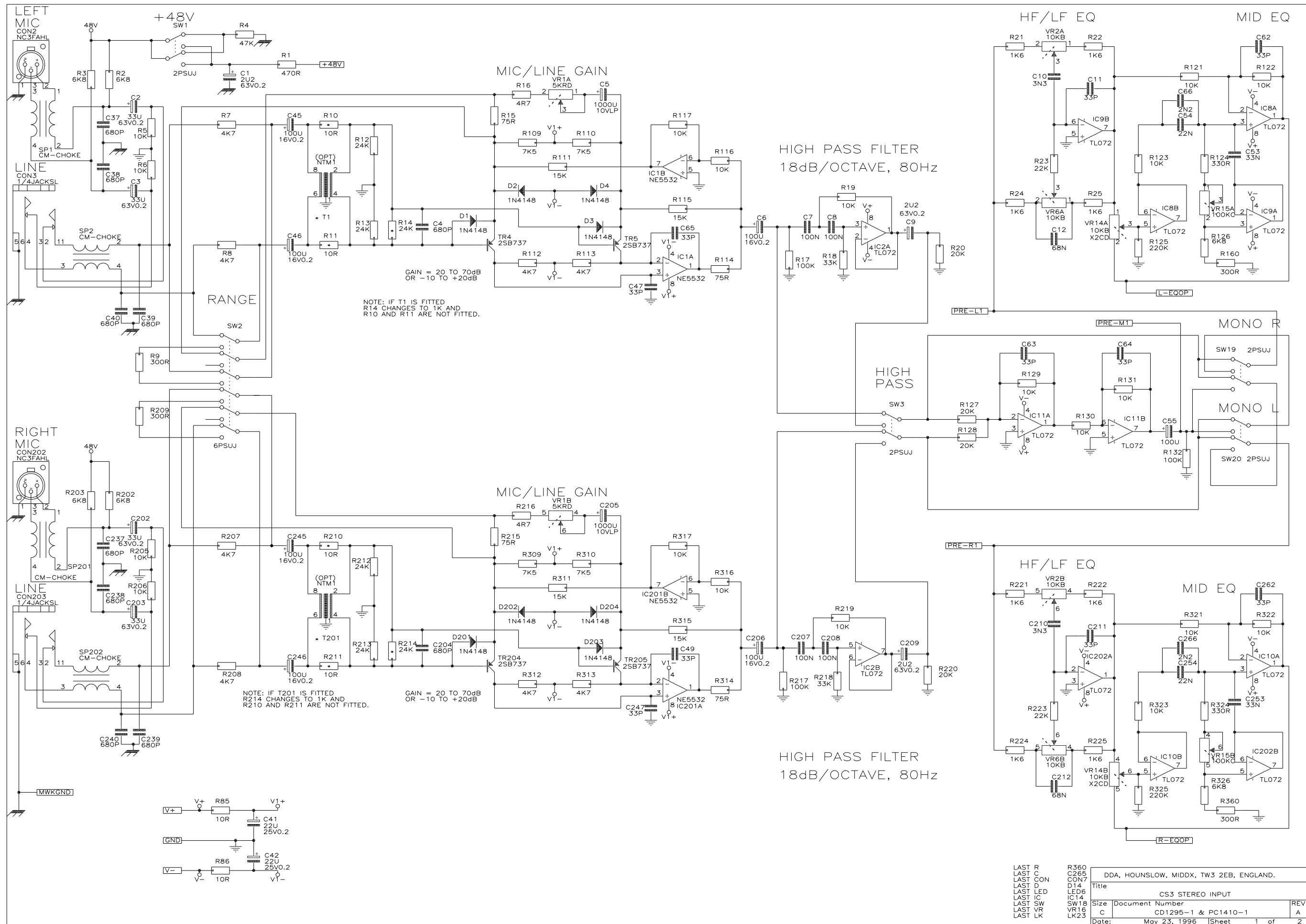
DDA, HOUNSLOW, MIDDX, TW3 2EB, ENGLAND.		
Title	CS3 MASTER MODULE.	
Size	Document Number	REV
C	CD1267-2 PC1383-2	B
Date:	May 9, 1996	Sheet 1 of 2

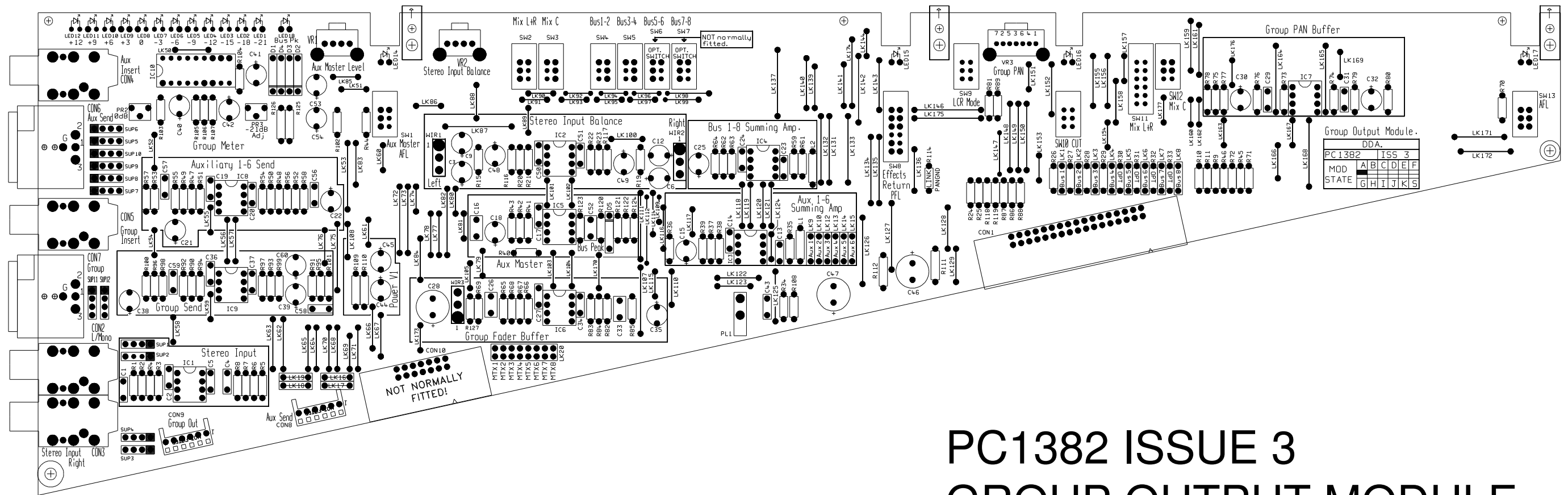


PC1410 STEREO INPUT MODULE

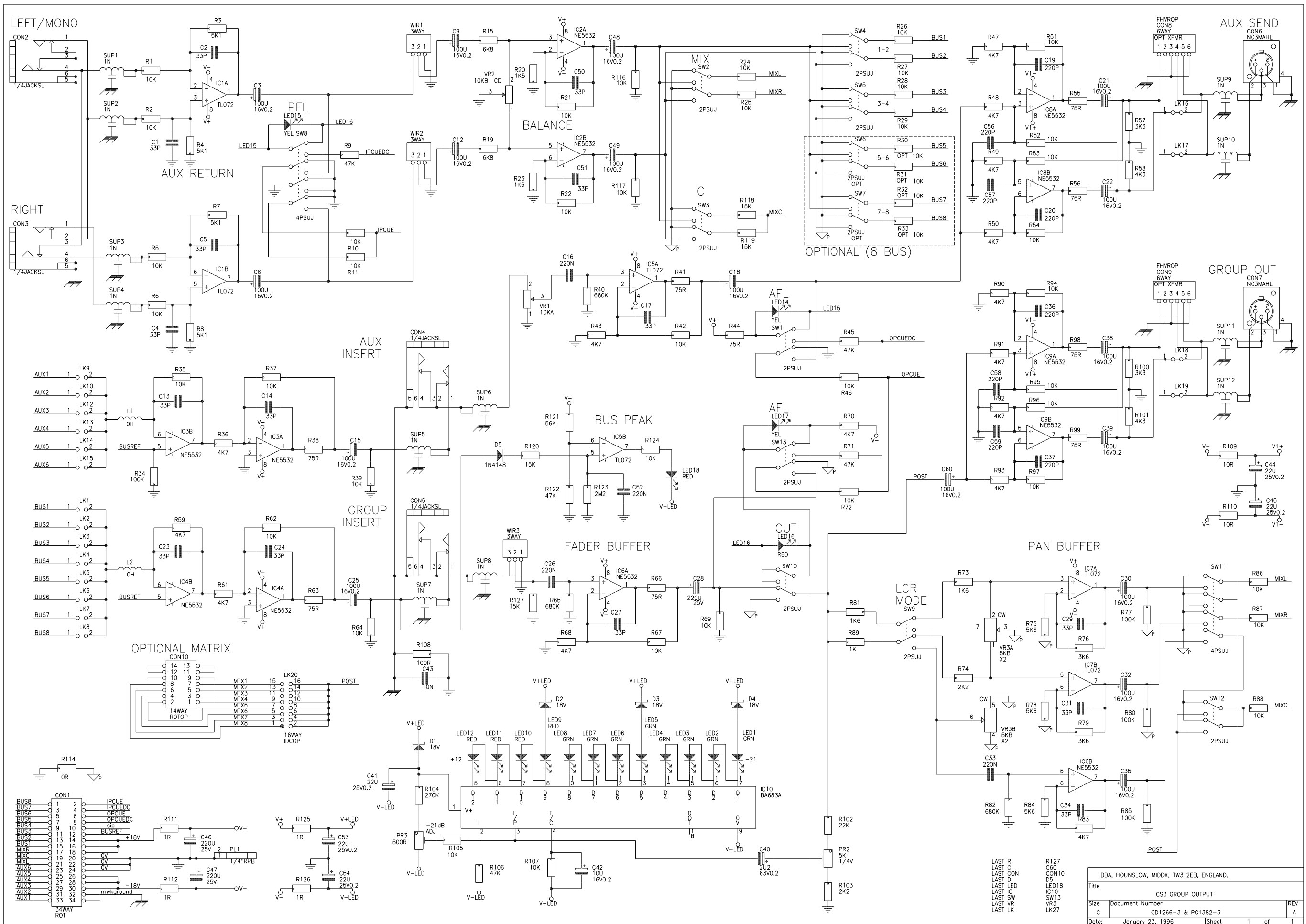


LAST R	R360	DDA, HOUNSLOW, MIDDX, TW3 2EB, ENGLAND.
LAST C	C265	
LAST CON	CON7	
LAST D	D14	Title
LAST LED	LED6	CS3 STEREO INPUT
LAST IC	IC14	Size
LAST SW	SW21	Document Number
LAST VR	VR16	CD1296-1 & PC1410-1
LAST LK	LK23	REV
		Date: May 22, 1996
		Sheet 2 of 2



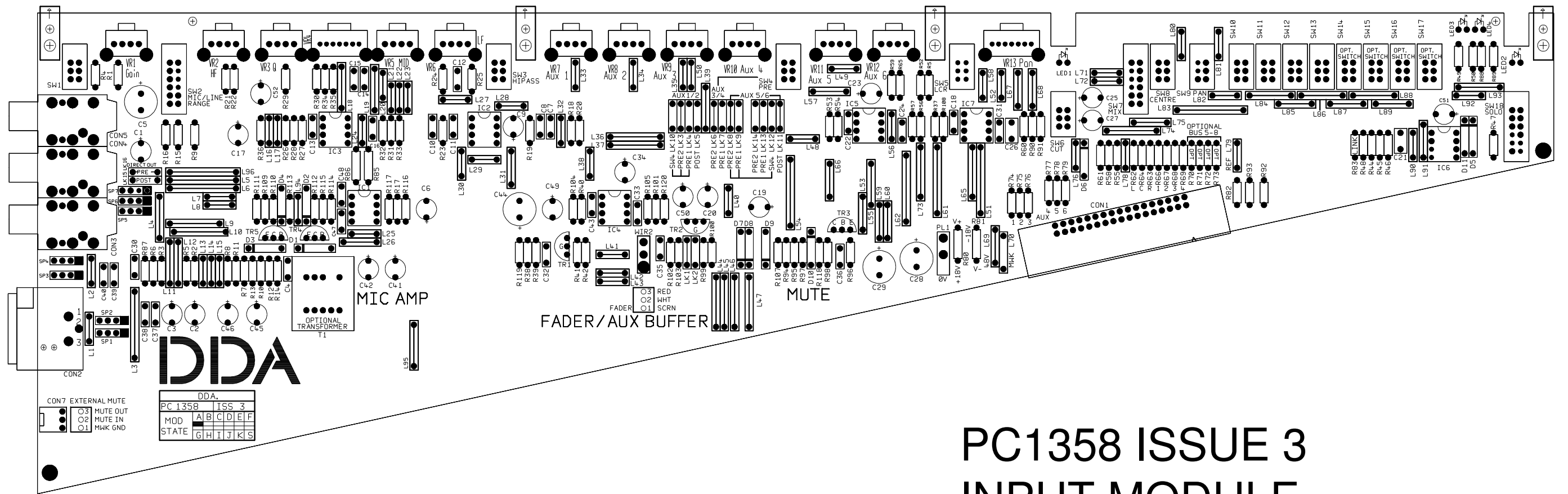


PC1382 ISSUE 3 GROUP OUTPUT MODULE



DDA, HOUNSLOW, MIDD, TW3 2EB, ENGLAND.

Title	CS3 GROUP OUTPUT		REV
Size	Document Number	CD1266-3 & PC1382-3	A
Date:	January 23, 1996	Sheet	1 of 1

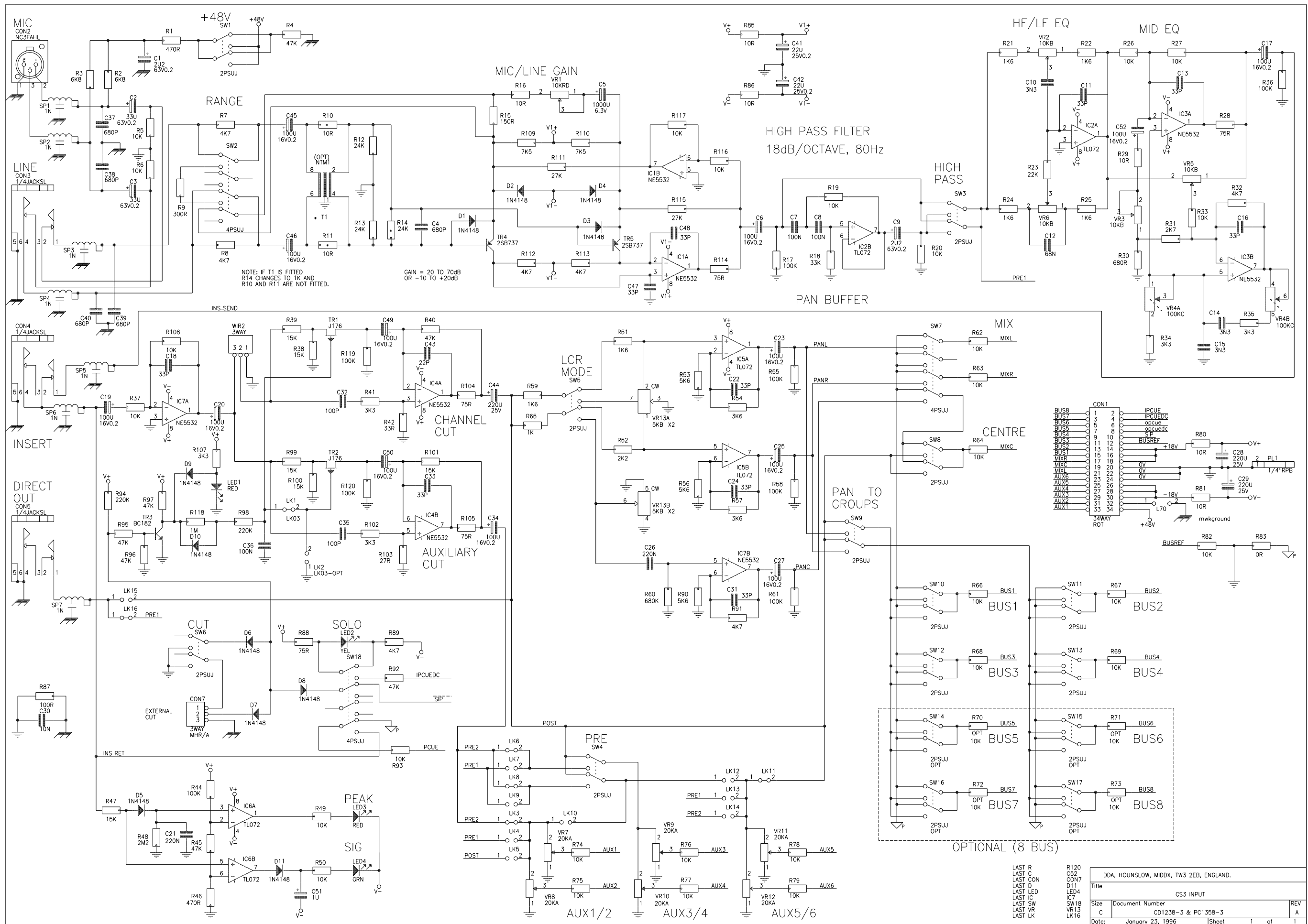


DIDA

DIDA	
PC 1358	ISS 3
MOD	A B C D E F
STATE	G H I J K S

CON7 EXTERNAL MUTE	
O3	MUTE OUT
O2	MUTE IN
O1	M4K GND

PC1358 ISSUE 3 INPUT MODULE



LAST R	R120		
LAST C	C52		
LAST CON	CON7		
LAST D	D11		
LAST LED	LED4		
LAST IC	IC7		
LAST SW	SW18		
LAST VR	VR13		
LAST LK	LK16		

DDA, HOUNSLOW, MIDD, TW3 2EB, ENGLAND.		
Title	CS3 INPUT	
Size	Document Number	REV
C	CD1238-3 & PC1358-3	A
Date:	January 23, 1996	Sheet 1 of 1

DDA

CS3

DIAGRAMS

CD1238-3	2
PC1358-3	3
CD1266-3	4
PC1382-3	5
CD1295-1	6
CD1296-1	7
PC1410-1	8
CD1267-2	9
CD1268-2	10
PC1383-2	11
CD1269-2	12
CD1270-2	13
PC1384-2	14
CD1273-1	15
PC1385-1	16
CD1271-1	17
PC1386-1	18
AS1462-1	19
AS1466-1	20