



Klark Teknik Building
Walter Nash Road
Kidderminster
Worcestershire
DY11 7HJ

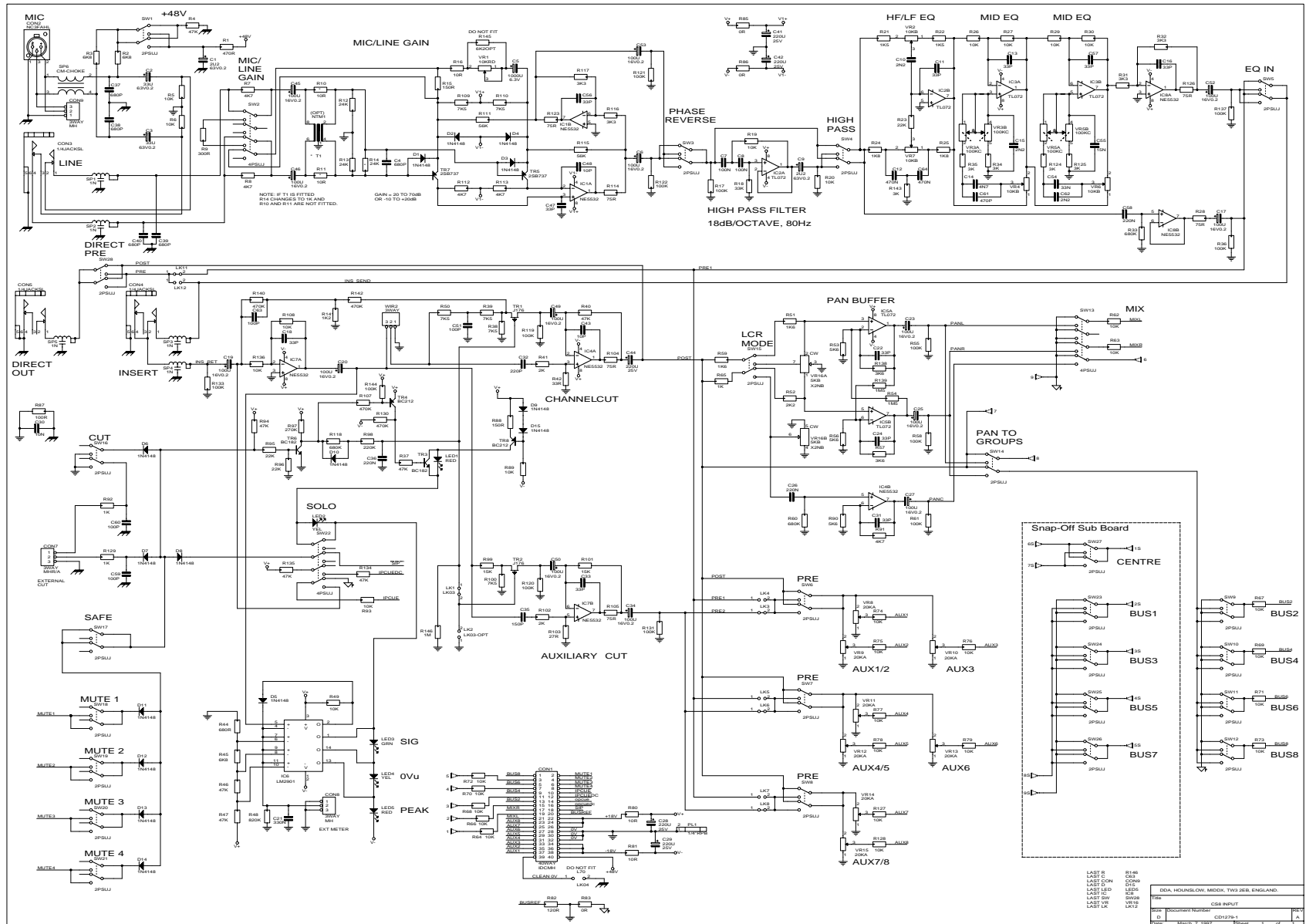
Tel: +44 (0) 1562 741515
Fax: +44 (0) 1562 745371

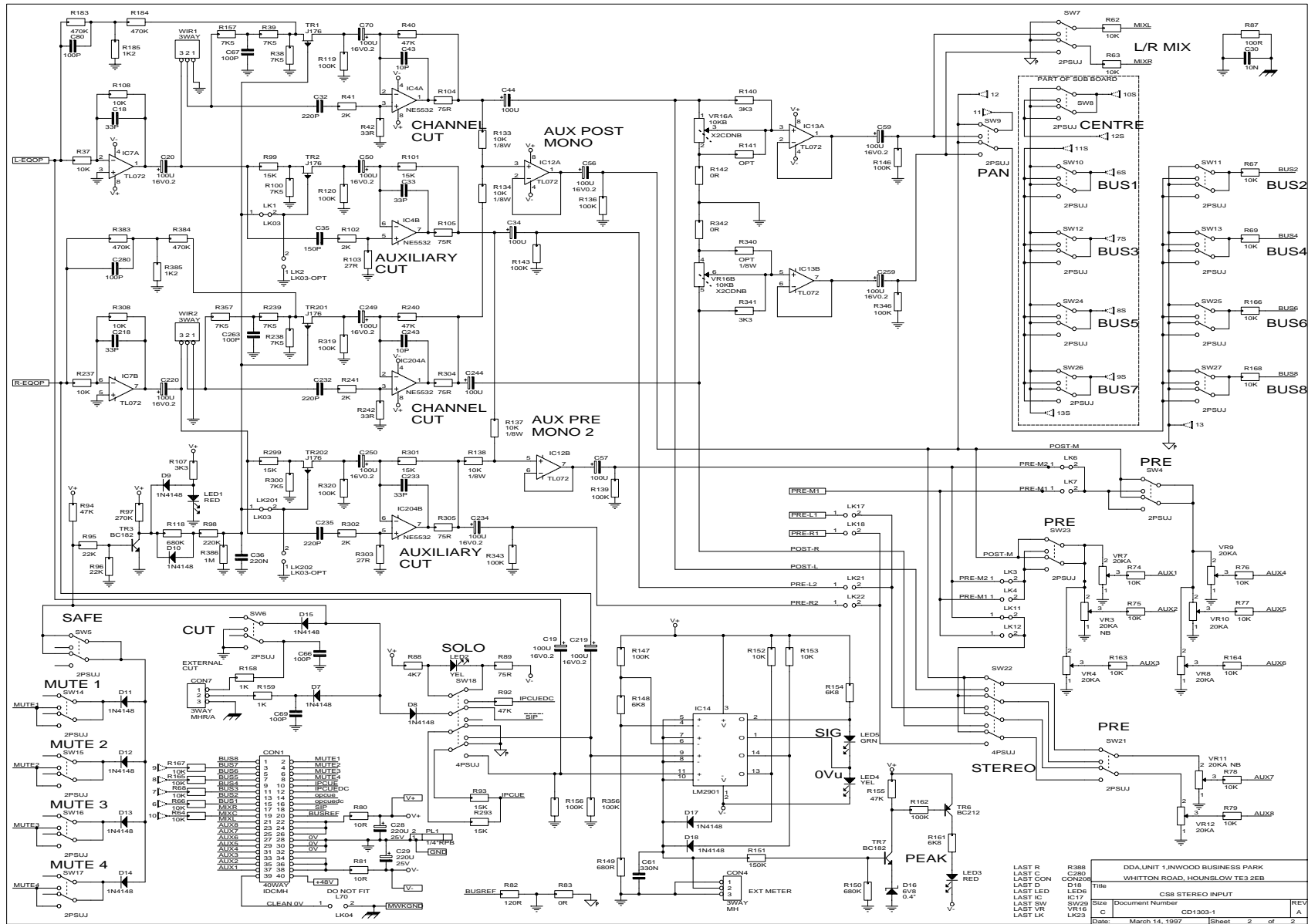
Email: info@uk.telex.com
Website: www.ddaconsole.com

CS8 Schematics
© Telex Communications (UK) Limited

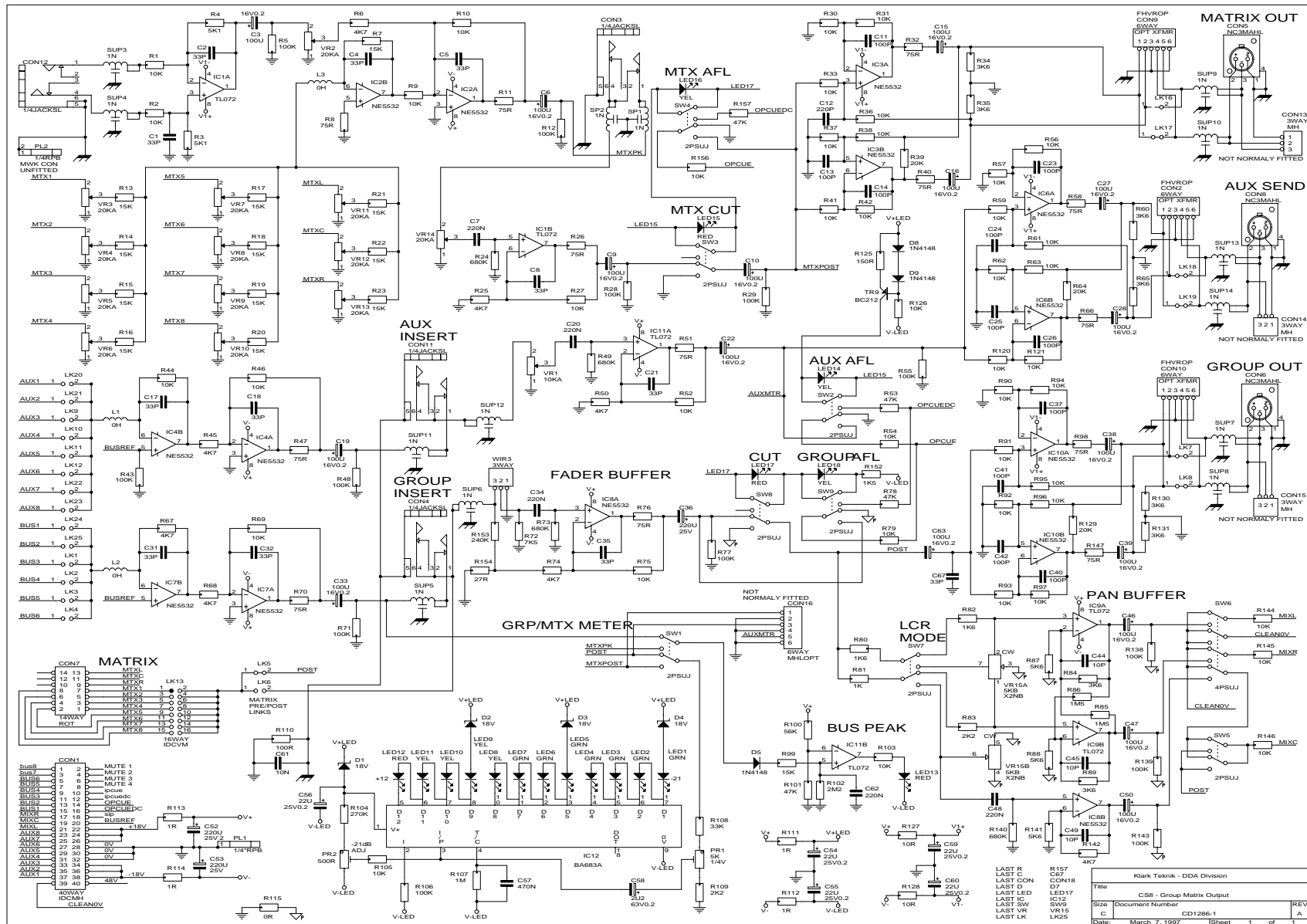
In line with the company's policy of continual improvement, specifications and function maybe subject to change without notice. This Operator Manual was correct at the time of writing. E&OE.

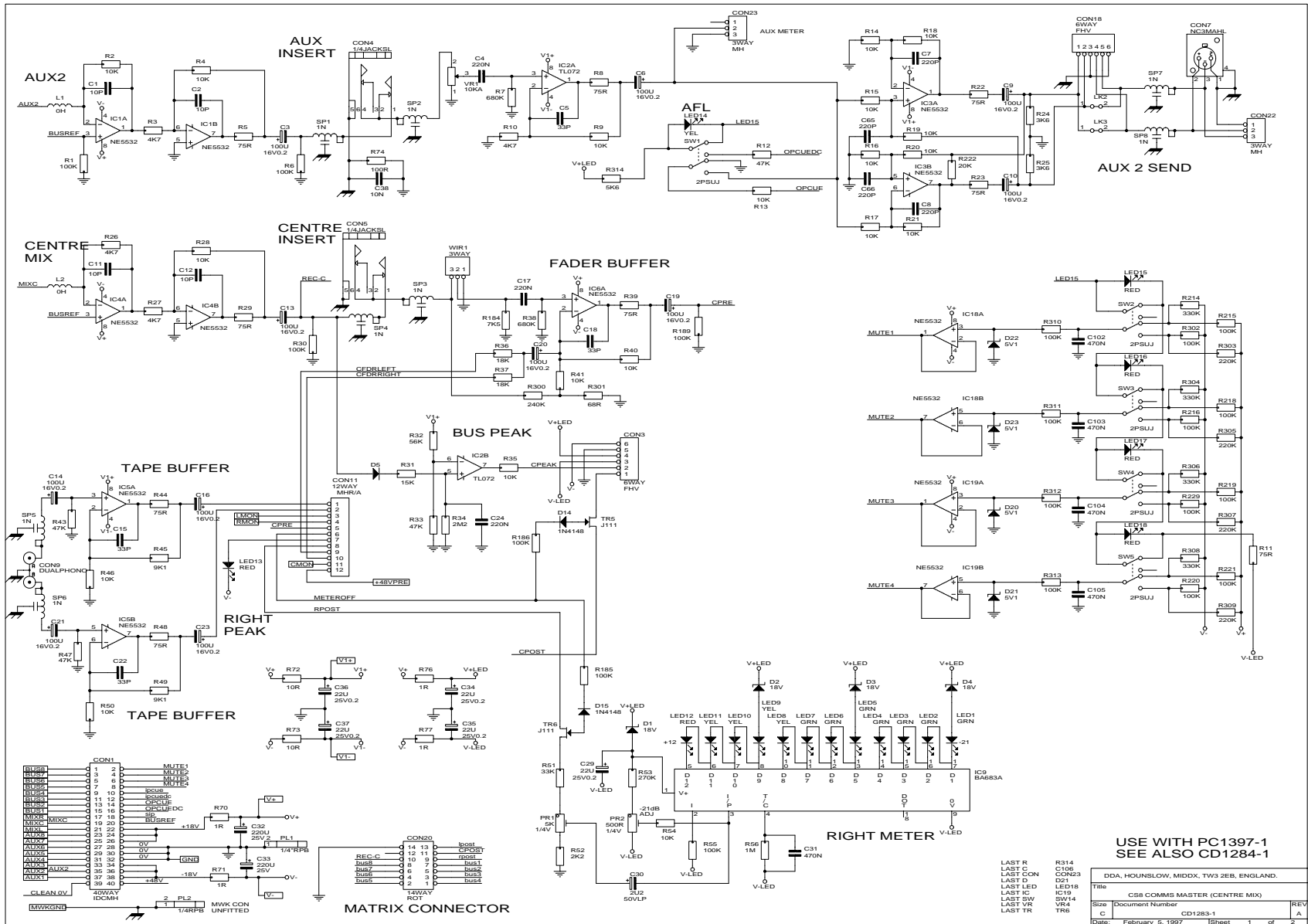
This drawing is split across the following two pages to aid readability.





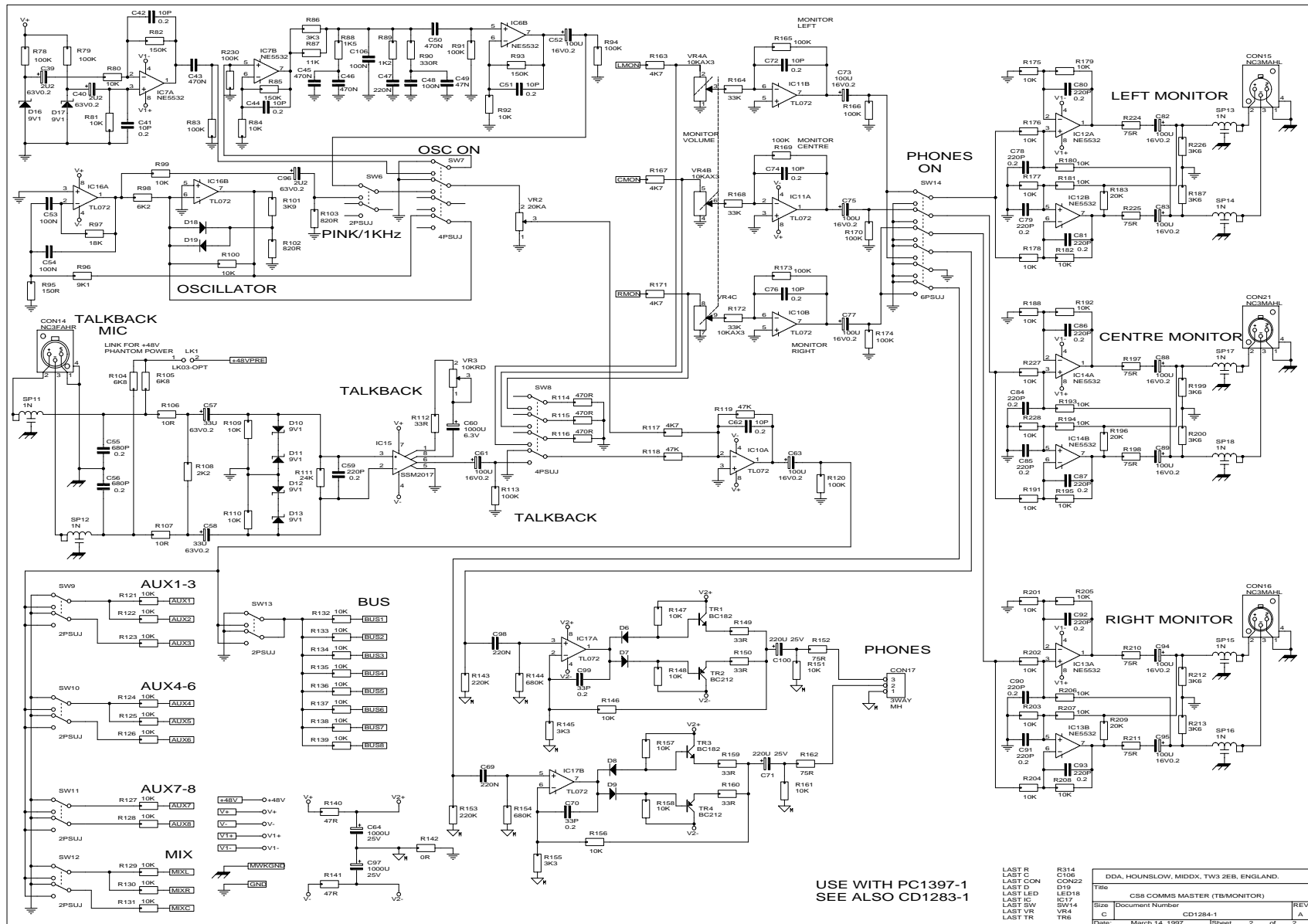
LAST R	R388	DDA UNIT 1, INWOOD BUSINESS PARK
LAST C	C208	WHITTON ROAD, HOUNSLOW, TS3 2EB
LAST CON	C209	
LAST D	D18	
LAST LED	LED4	Title: CS1 STEREO INPUT
LAST IC	IC17	Sheet: Document Number: CD1303-1
LAST SW	SW29	Date: March 14, 1997
LAST VR	VR10	Sheet: 2 of 2
LAST LK	LK23	





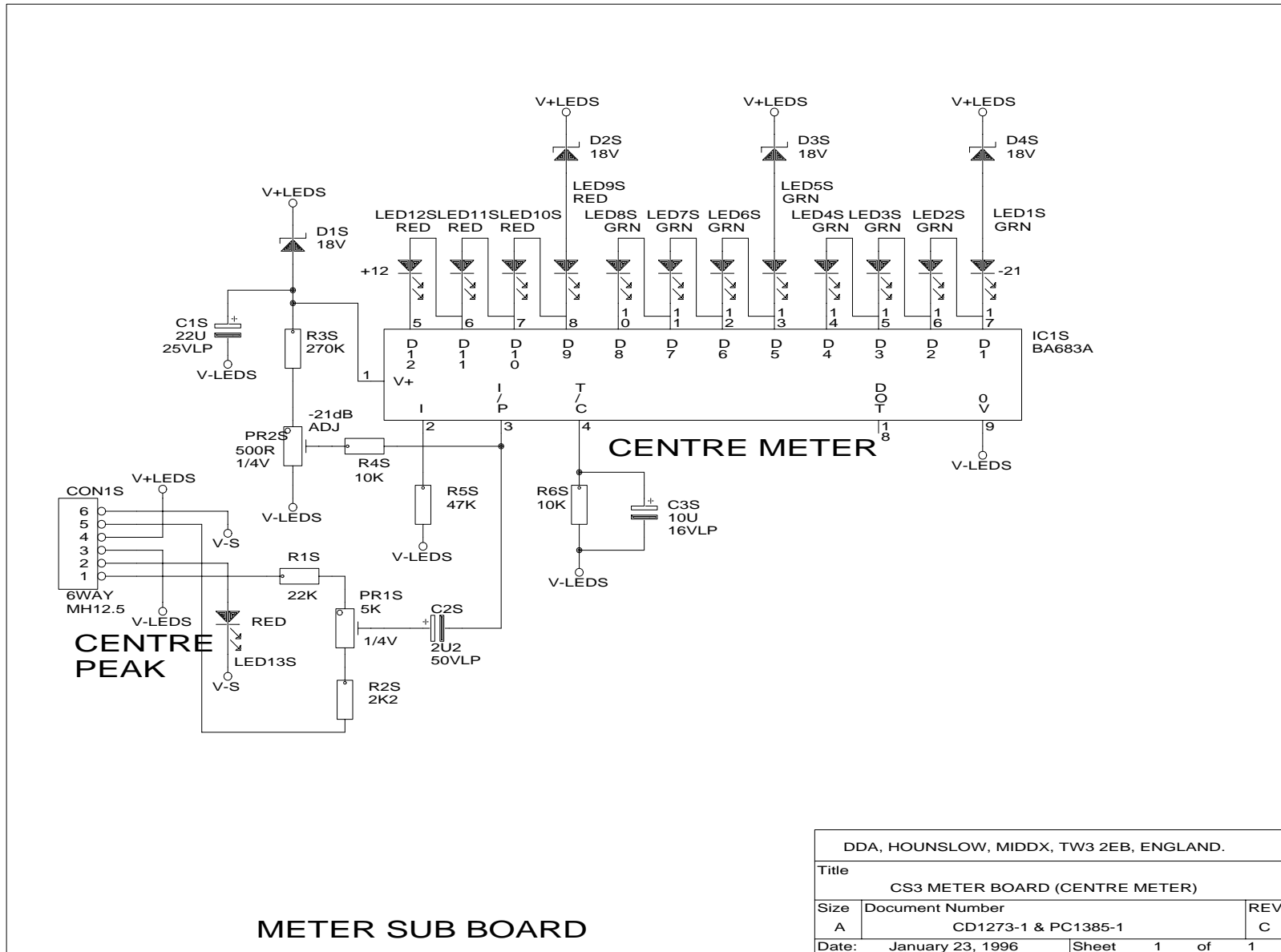
USE WITH PC1397-1
SEE ALSO CD1284-1

DDA, HOUNSLOW, MIDDX, TW3 2EB, ENGLAND.	
Title	CS8 COMMS MASTER (CENTRE MIX)
Size	Document Number
C	CD1283-1
Date	February 5, 1997
Sheet	1 of 2
REV	A



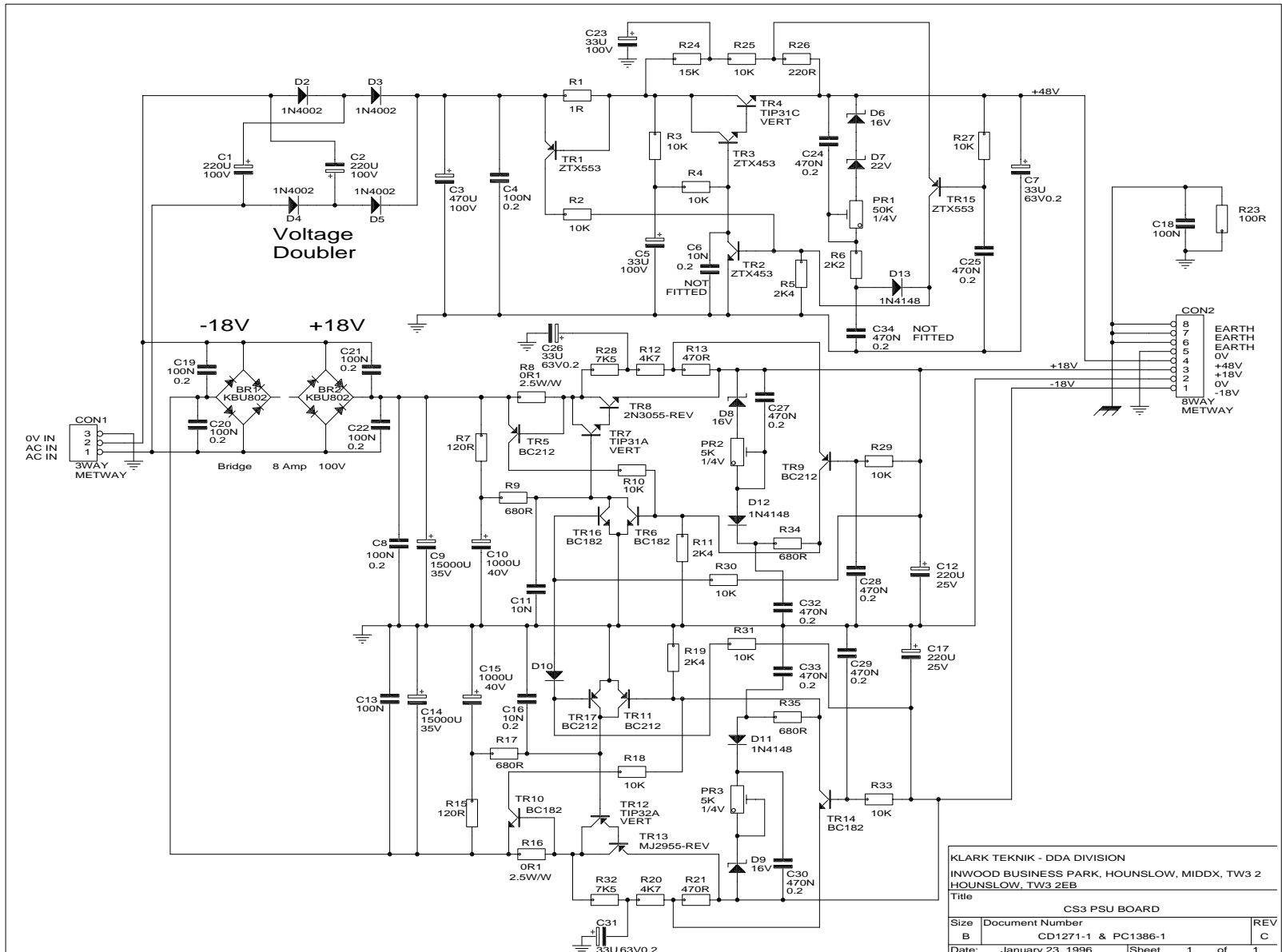
USE WITH PC1397-1
SEE ALSO CD1283-1

LAST R LAST C LAST CON LAST D LAST IC LAST SW LAST VR LAST TR	R314 C106 CON22 L18 D19 IC17 SW14 VR4 TR6	DDA, HOUNSLOW, MIDD, TW3 2EB, ENGLAND. Title CD80 COMMS MASTER (T&M)MONITOR Size Document Number Date March 14, 1997	REV A 2 of 2
--	---	--	--------------------



METER SUB BOARD

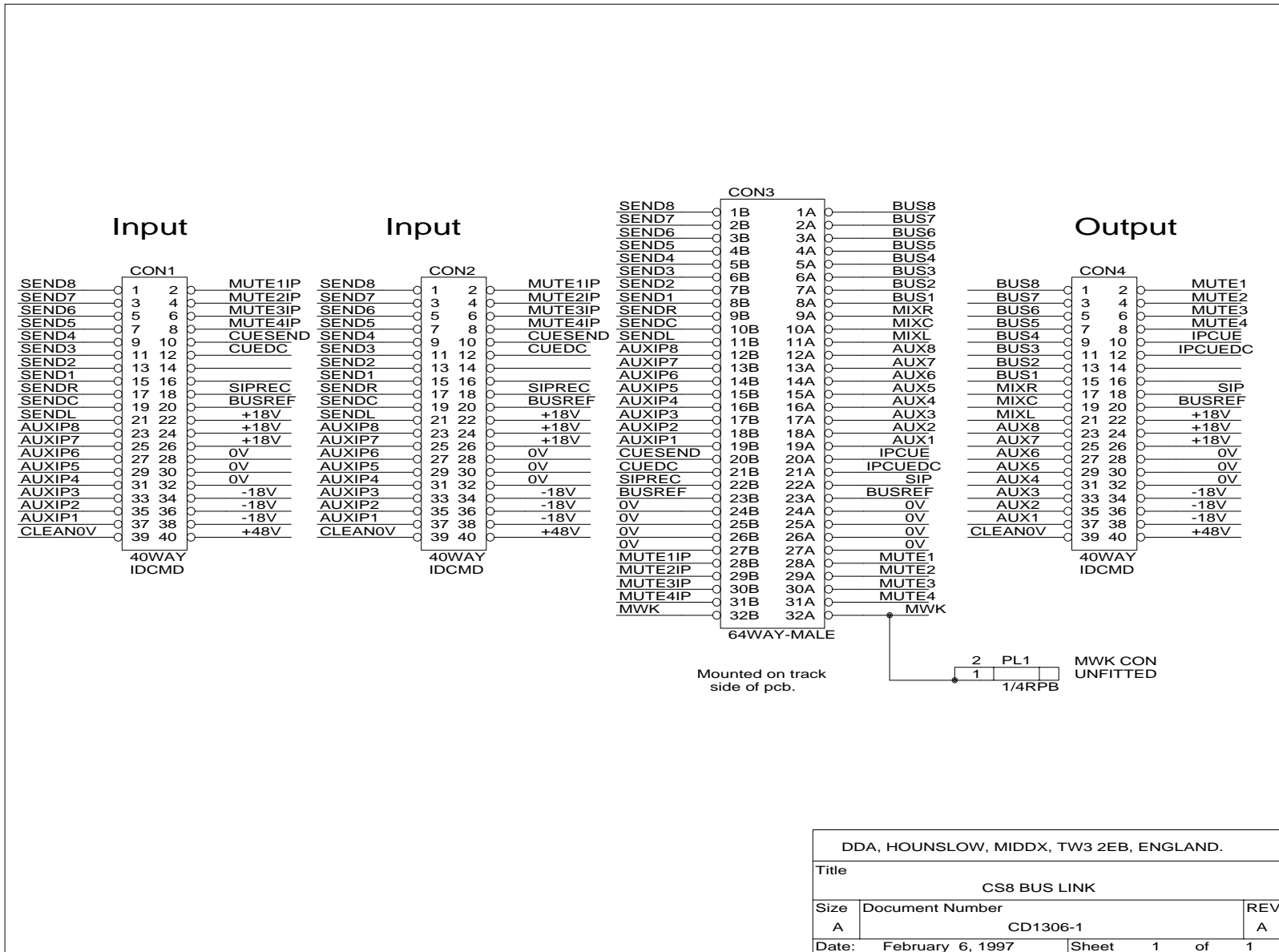
DDA, HOUNSLOW, MIDDX, TW3 2EB, ENGLAND.		
Title CS3 METER BOARD (CENTRE METER)		
Size A	Document Number CD1273-1 & PC1385-1	REV C
Date:	January 23, 1996	Sheet 1 of 1



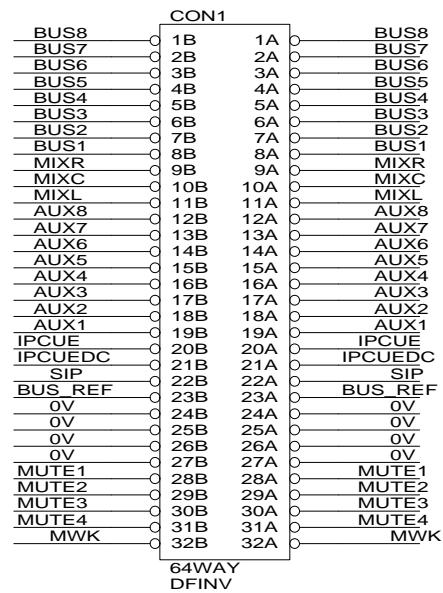
KLARK TEKNIK - DDA DIVISION
 INWOOD BUSINESS PARK, HOUNSLOW, MIDDX, TW3 2
 HOUNSLOW, TW3 2EB

Title CS3 PSU BOARD

Size	Document Number	REV
B	CD1271-1 & PC1386-1	C
Date:	January 23, 1996	Sheet 1 of 1

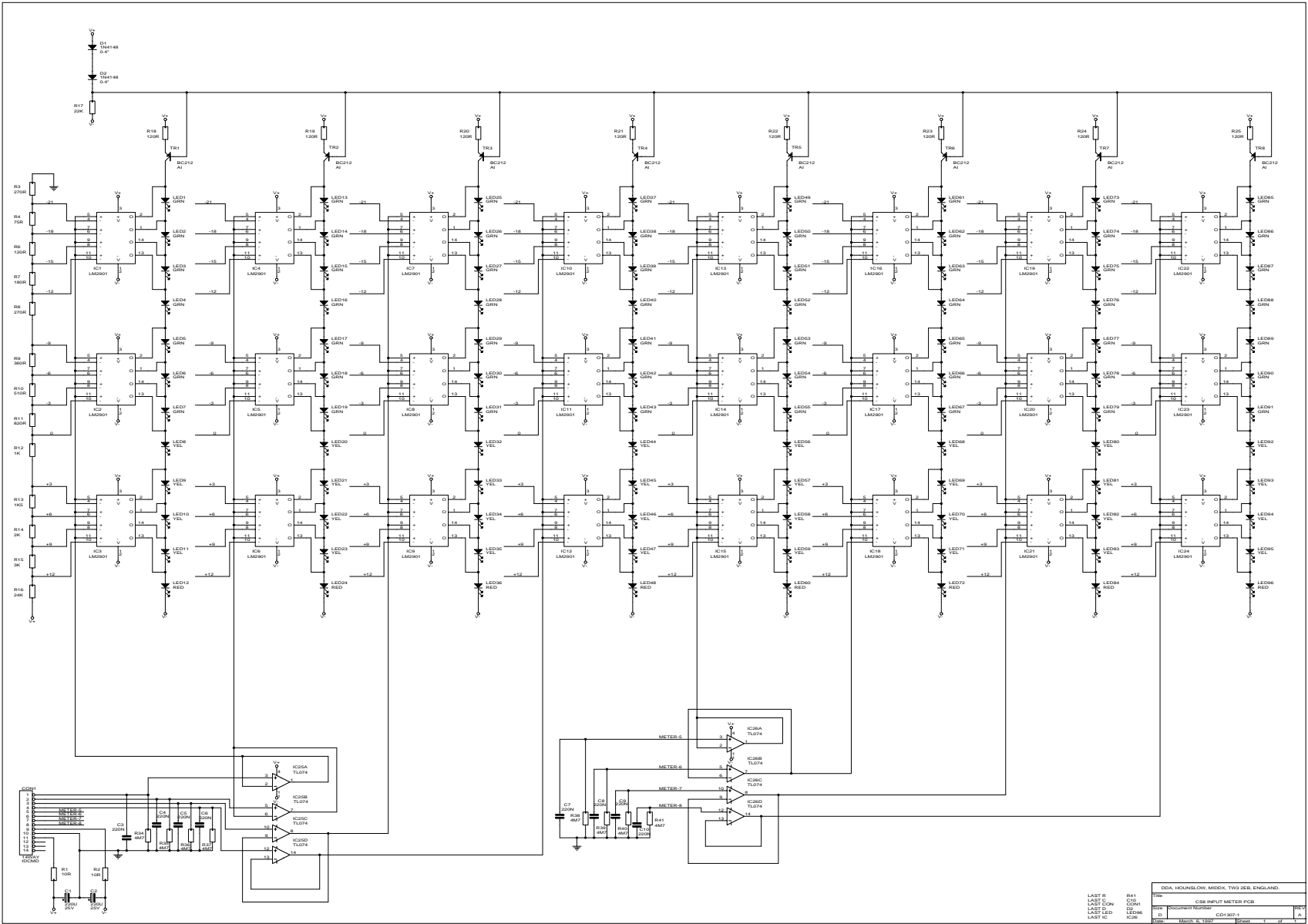


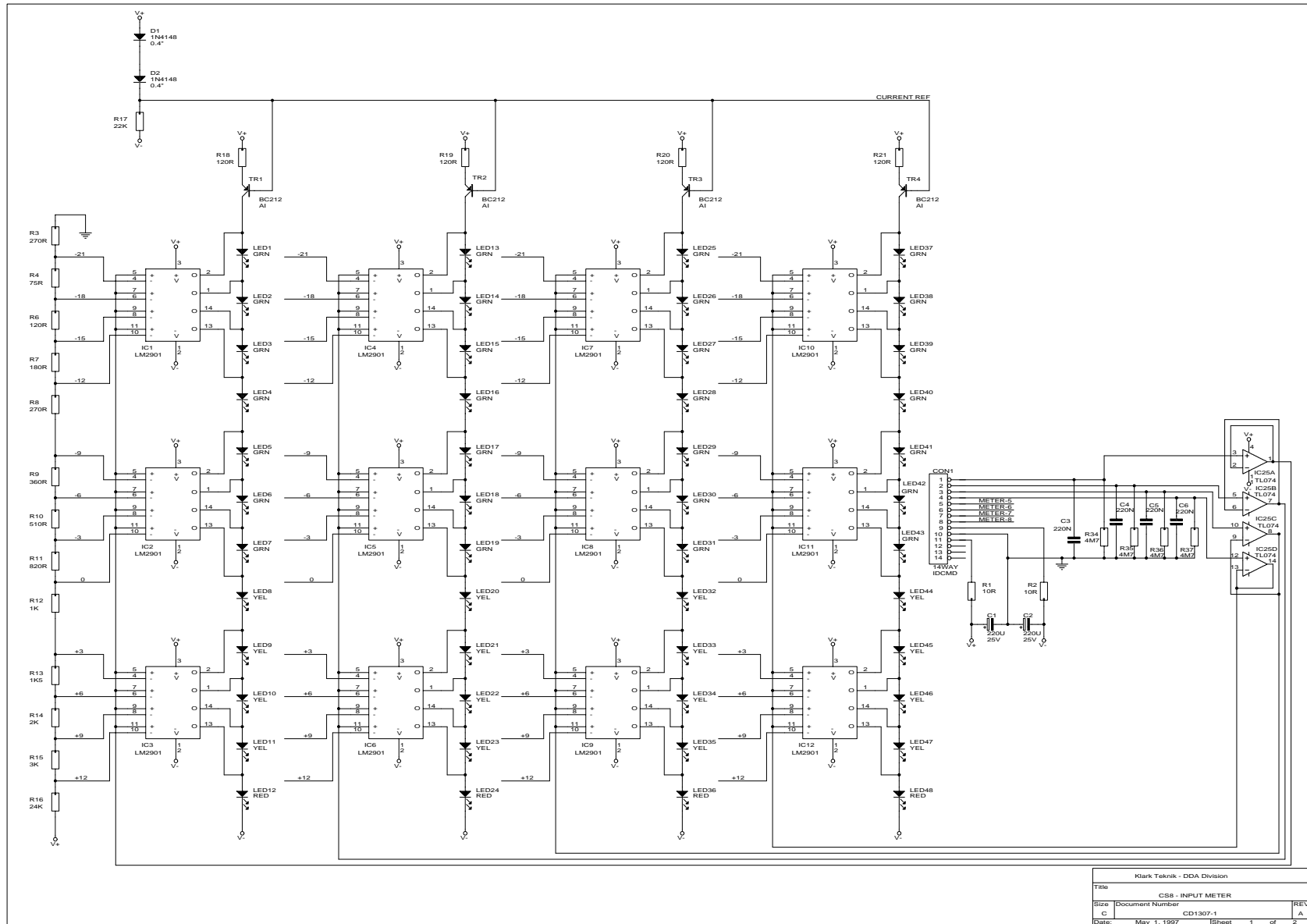
DDA, HOUNSLOW, MIDDX, TW3 2EB, ENGLAND.		
Title		
CS8 BUS LINK		
Size	Document Number	REV
A	CD1306-1	A
Date:	February 6, 1997	Sheet 1 of 1



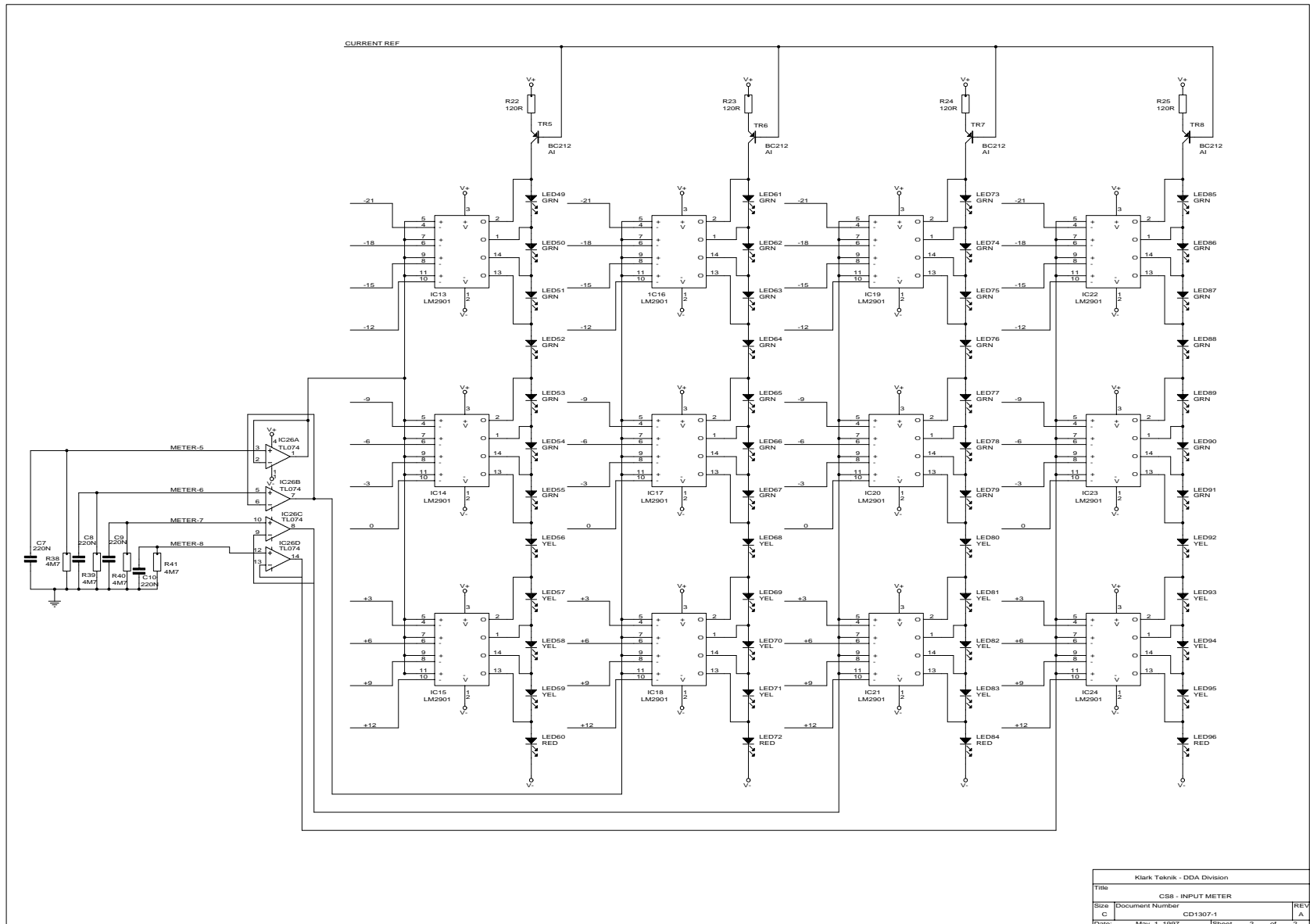
DDA, HOUNSLOW, MIDDX, TW3 2EB, ENGLAND.		
Title CS8 BUS LINK BLANKING PLUG		
Size A	Document Number CD1308-1	REV A
Date:	February 12, 1997	Sheet 1 of 1

This drawing is split across the following two pages to aid readability.



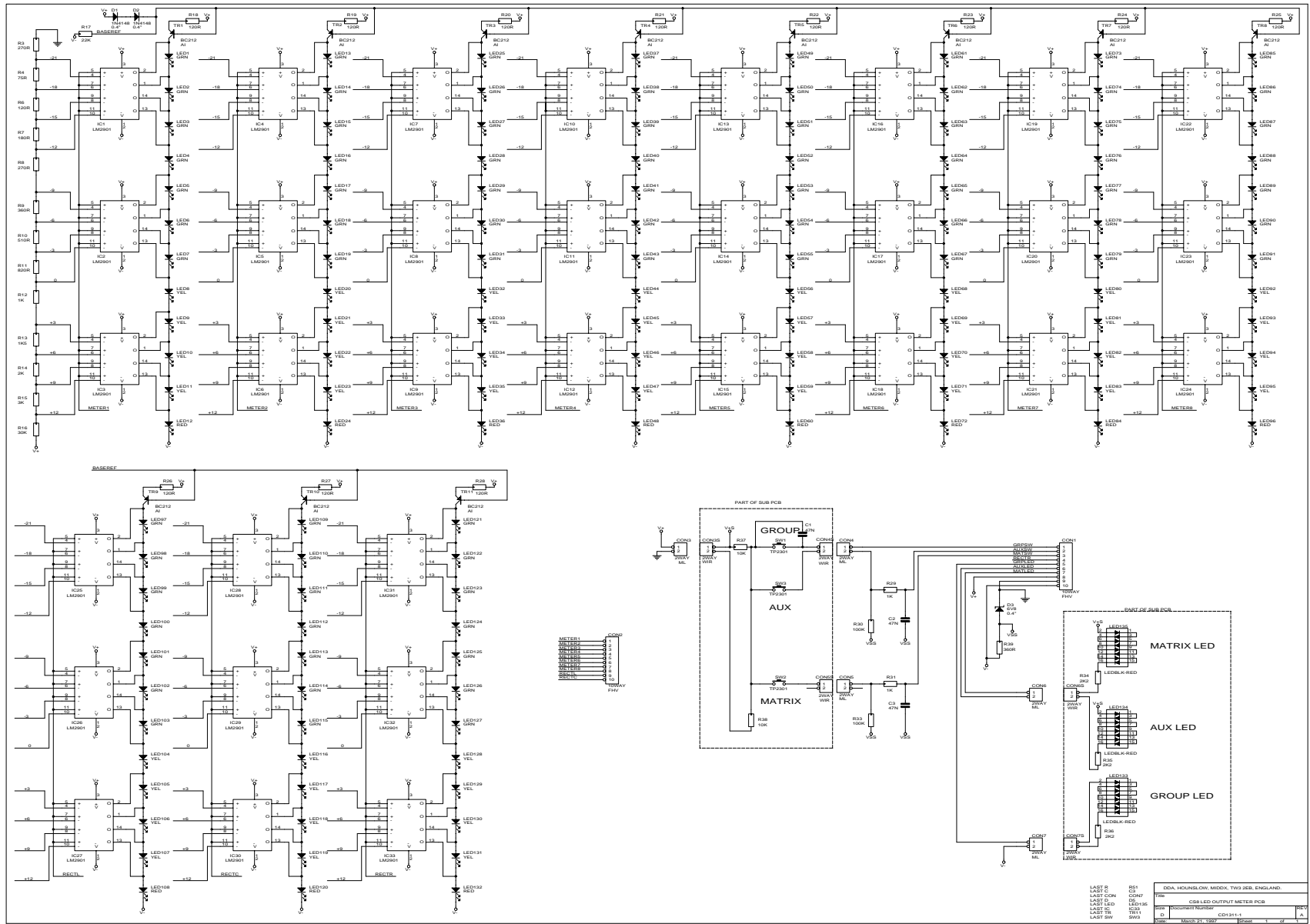


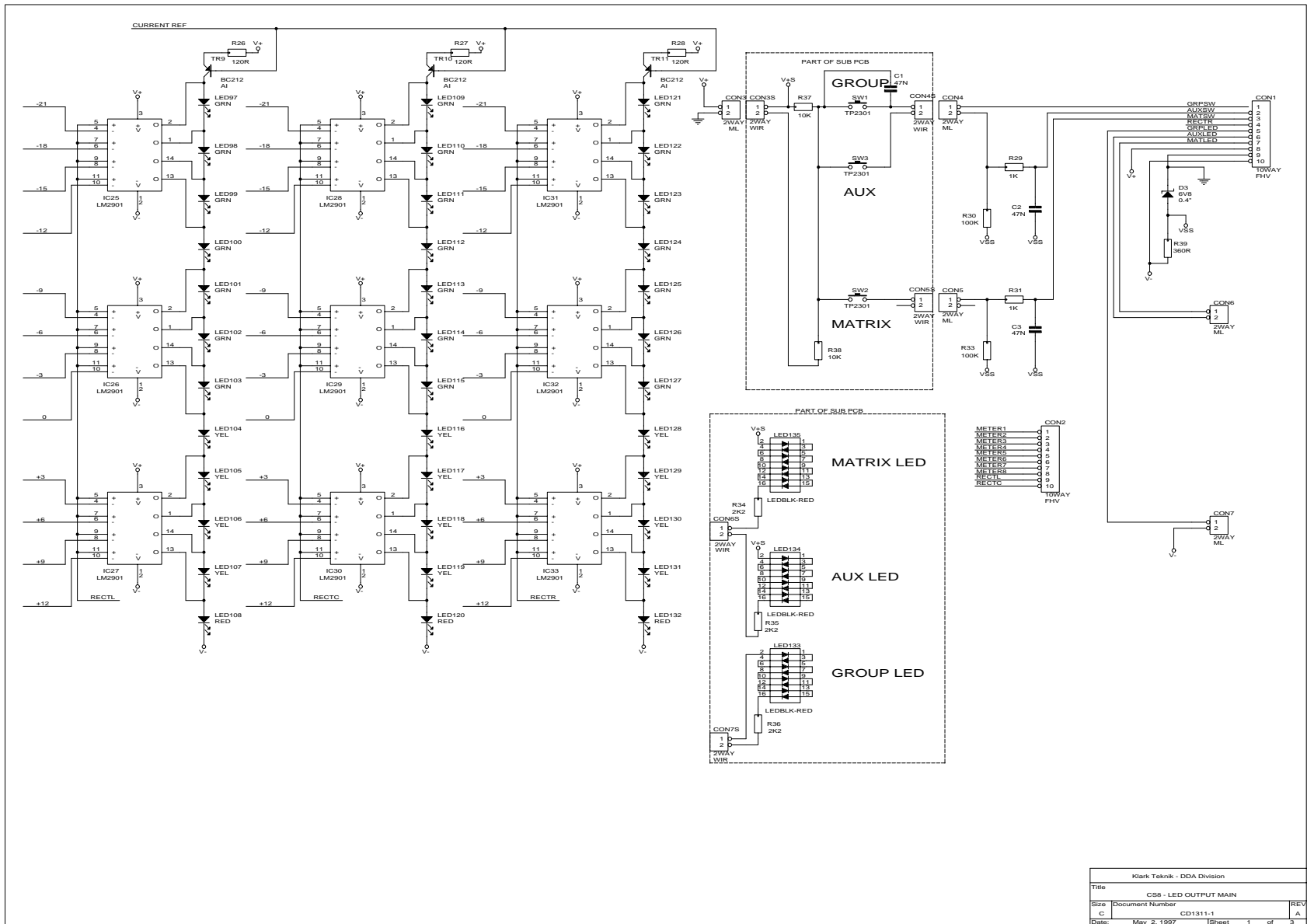
Klark Teknik - DDA Division			
Title	CS8 - INPUT METER		
Size	Document Number	CD1307-1	REV A
Date	May 1, 1997	Sheet 1 of 2	



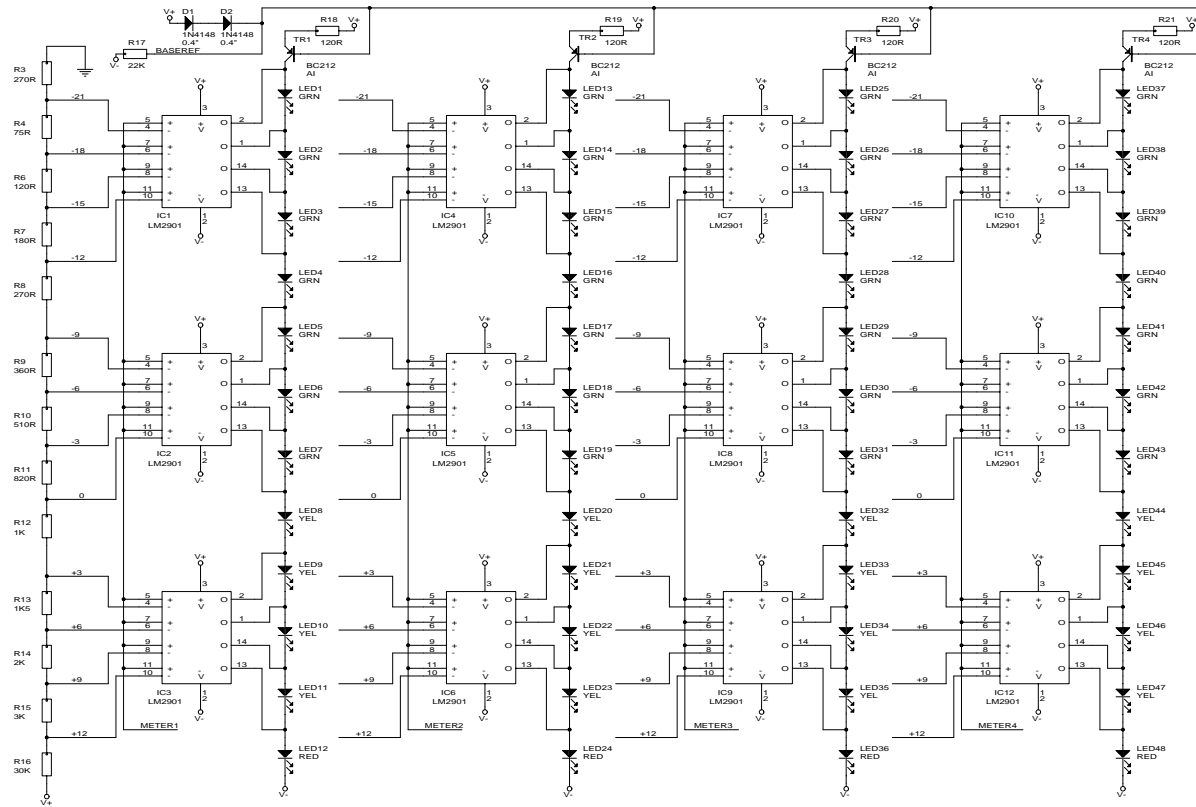
Klarik Teknik - DDA Division		
Title	CS8 - INPUT METER	
Size	Document Number	REV
C	CD1307-1	A
Date:	May 1, 1997	Sheet 2 of 2

This drawing is split across the following three pages to aid readability.

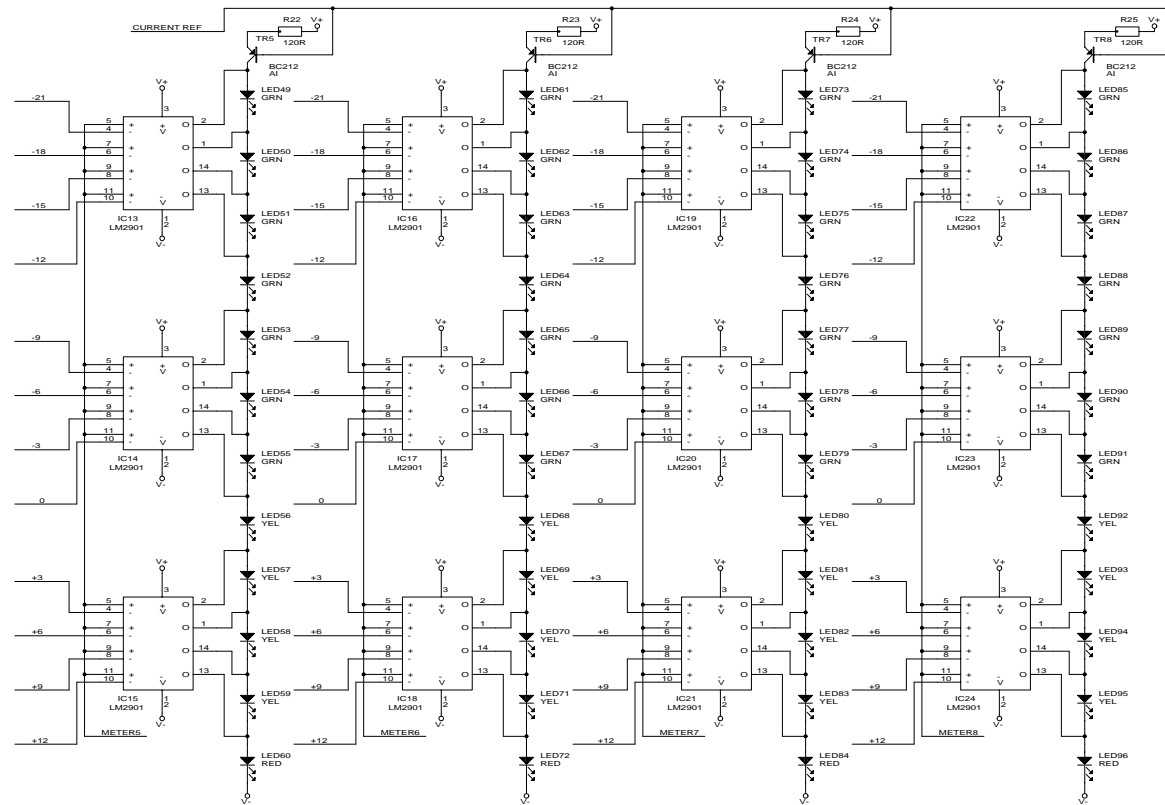




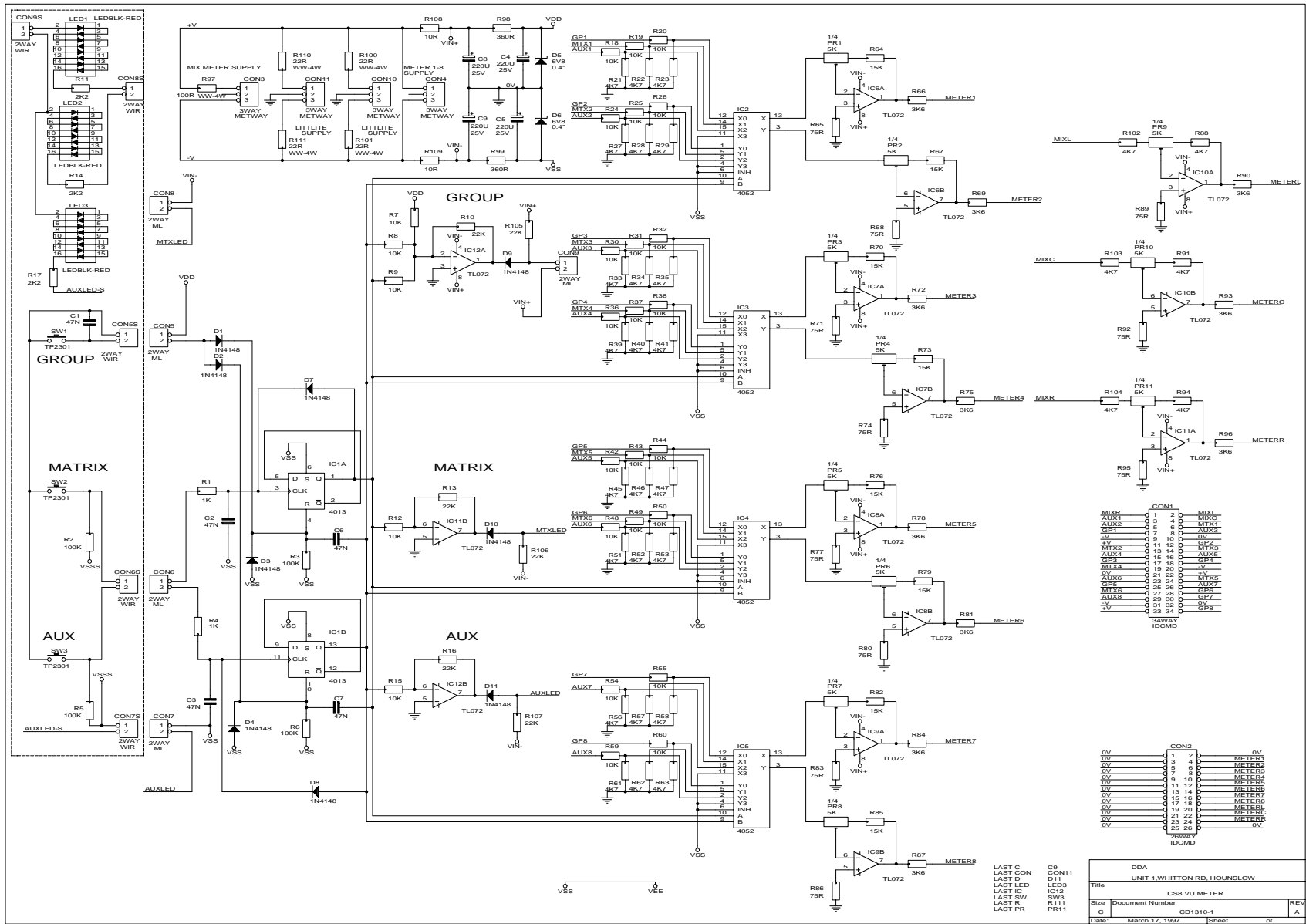
KlarTeknik - DDA Division		
Title	CSB - LED OUTPUT MAIN	
Size	Document Number	REV
C	CD1311-1	A
Date	May 2, 1997	Sheet 1 of 3



Klark Teknik - DDA Division		
Title	CS8 - LED OUTPUT MAIN	
Size	Document Number	REV
C	CD1311-1	A
Date	May 2 1997	Sheet 2 of 3



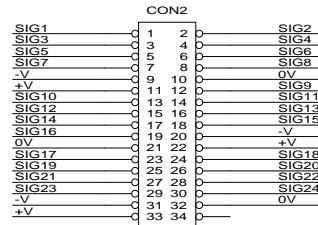
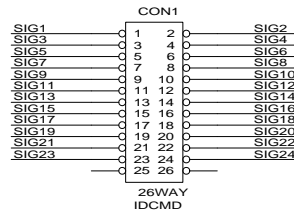
Klarik Teknik - DDA Division		
Title	CS8 - LED OUTPUT MAIN	
Size	Document Number	REV
C	CD1311-1	A
Date:	May 2, 1997	Sheet 3 of 3



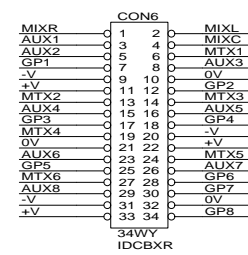
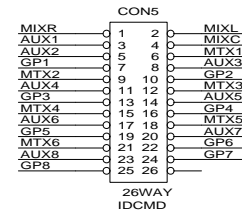
LAST C
 LAST CON
 LAST D
 LAST LED
 LAST IC
 LAST SW
 LAST R
 LAST PR

C3
 CON11
 D11
 LED3
 IC12
 SW3
 R111
 PR11

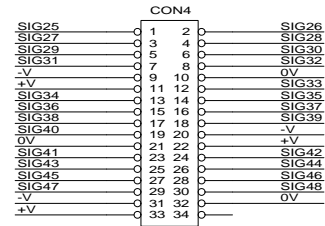
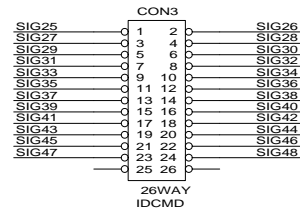
DDA		UNIT 1 WHITTON RD, HOUNSLOW	
Title	CSB VU METER		
Size	Document Number	REV	
C	CD1310-1	A	
Date	March 17, 1997	Sheet	of



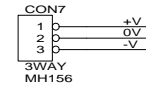
INPUT 1-24



OUTPUT & MASTERS



INPUT 25-48



DDA, HOUNSLOW, MIDDX, TW3 2EB, ENGLAND.		
Title		
CS8 METERS CONNECTOR		
Size	Document Number	REV
B	CD1309-1	A
Date:	February 13, 1997	Sheet 1 of 1